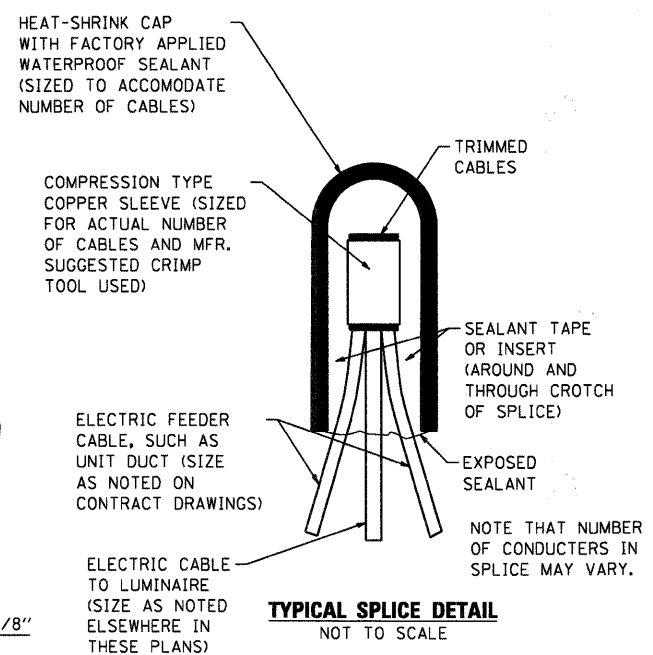
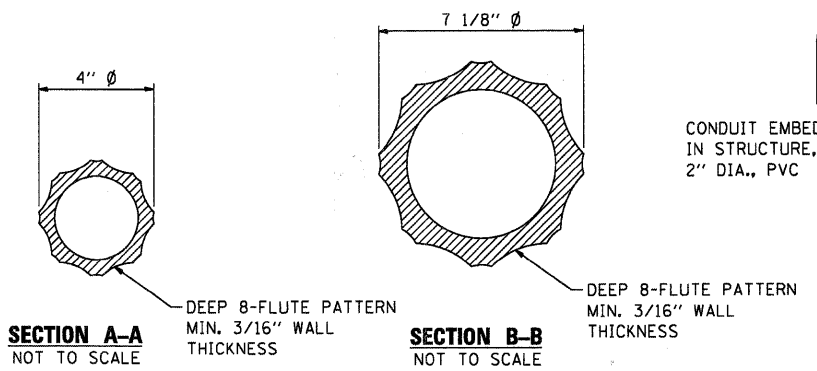


ORNAMENTAL LIGHT UNIT, COMPLETE

TYPICAL WIRING IN TRENCH DETAIL
NOT TO SCALE

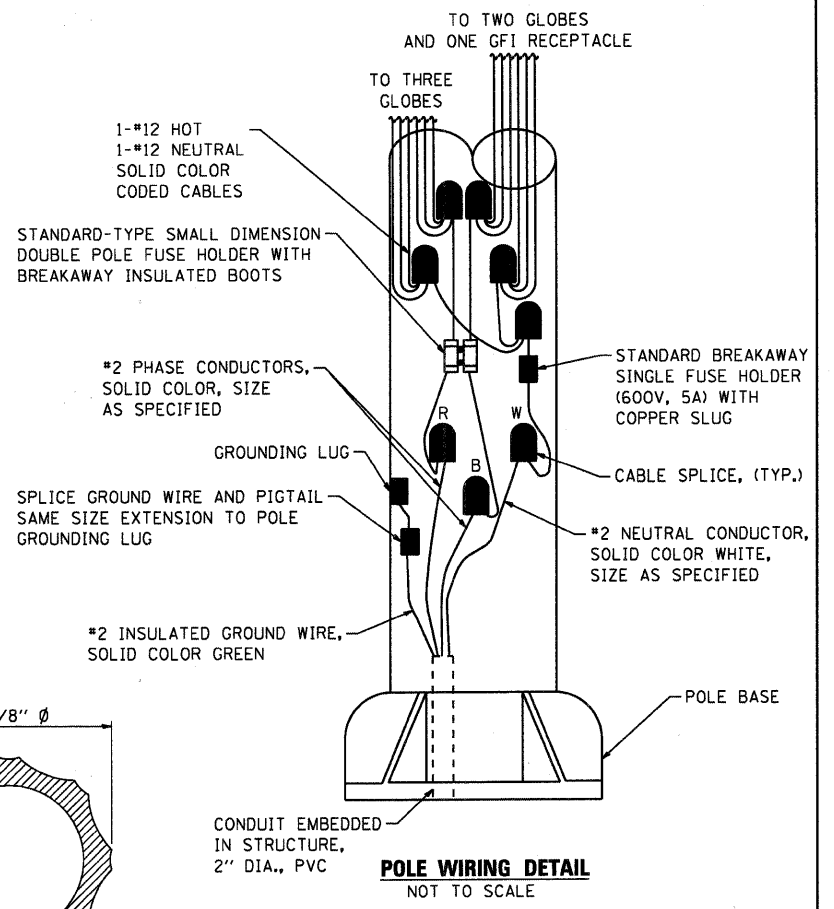


TYPICAL SPLICE DETAIL
NOT TO SCALE

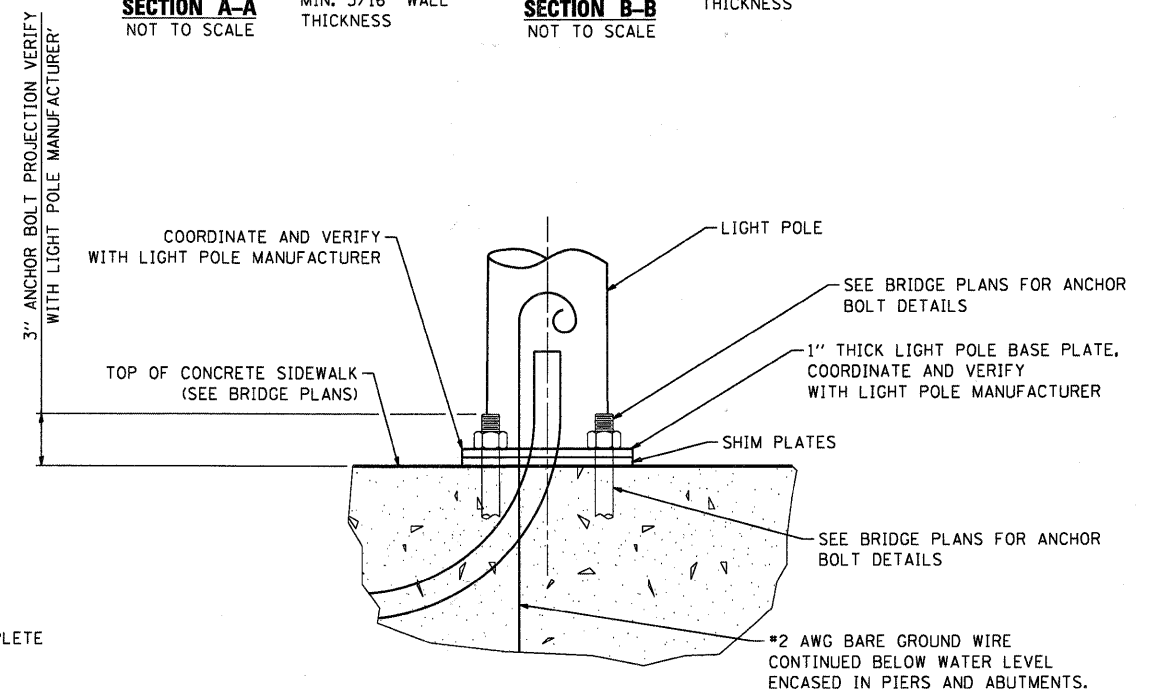


SECTION A-A
NOT TO SCALE

SECTION B-B
NOT TO SCALE



POLE WIRING DETAIL
NOT TO SCALE



INSTALLATION DETAIL FOR POLES MOUNTED ON BRIDGES
NOT TO SCALE

COST FOR ANCHOR BOLTS, CONDUIT ELBOWS, PADS, HARDWARE PLATES AND FASTENERS INCLUDED WITH ORNAMENTAL LIGHT POLE, COMPLETE.

HRGreen
Michael C. Harshbarger
City of Aurora
86090472-Elc04.dgn
86090472-Elc04.dgn
86090472-Elc04.dgn
86090472-Elc04.dgn



USER NAME = whood	DESIGNED - PJK	REVISED -
FILE NAME = 86090472-Elc04.dgn	DRAWN - WJH	REVISED -
PLOT SCALE =	CHECKED - RGD	REVISED -
PLOT DATE = 7/26/2011	DATE - 7/26/11	REVISED -

CITY OF AURORA

LIGHTING DETAILS
DOWNER PLACE

SCALE: SHEET NO. 5 OF 5 SHEETS STA. TO STA.

F.A.U. RTE.	SECTION	COUNTY	TOTAL SHEETS	SHEET NO.
	07-00264-00-BR	KANE	164	52
FED. ROAD DIST. NO. [ILLINOIS] FED. AID PROJECT			CONTRACT NO. 63620	