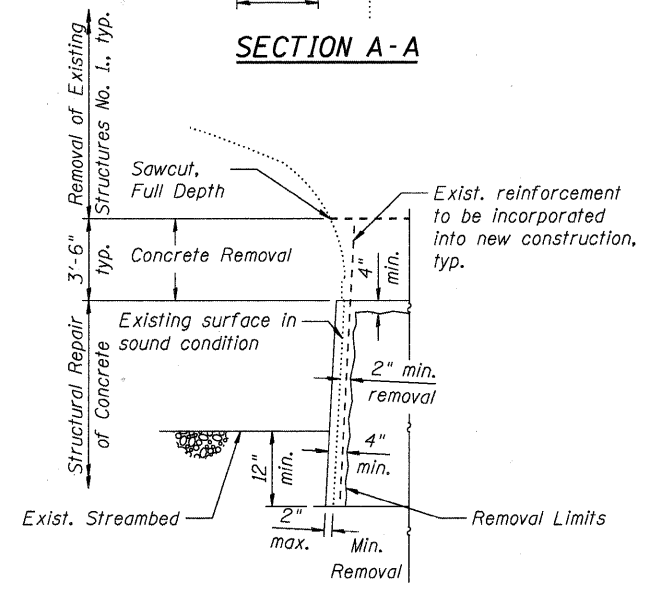
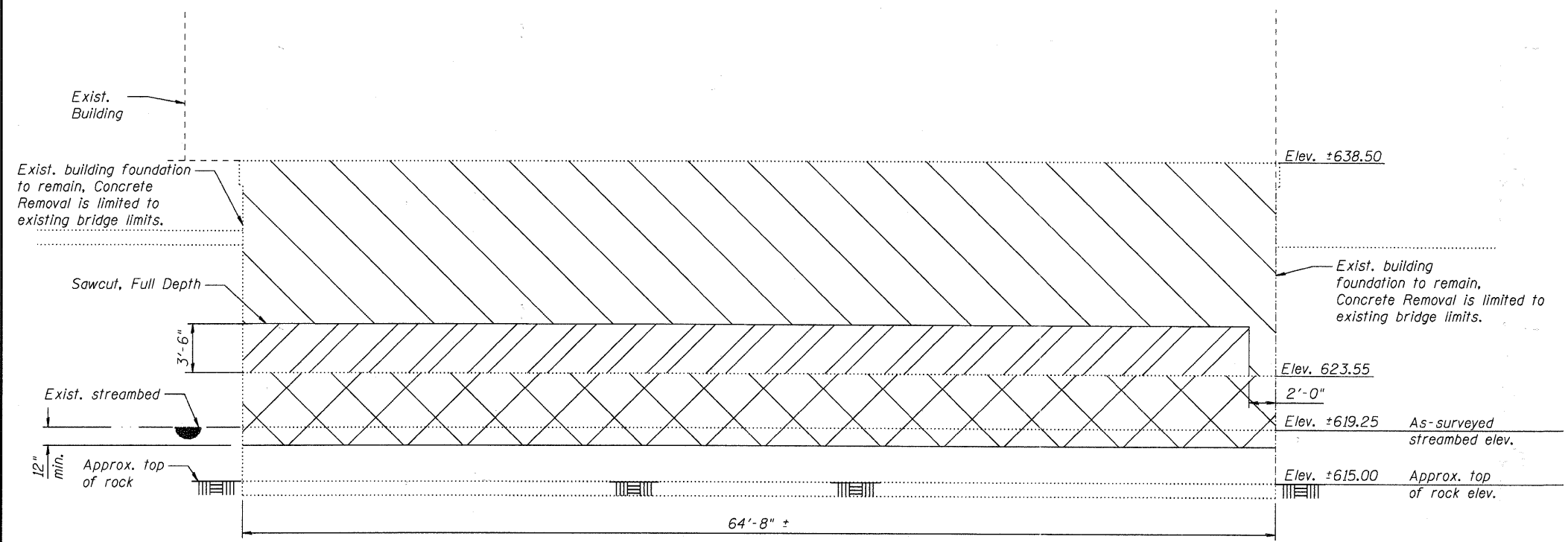
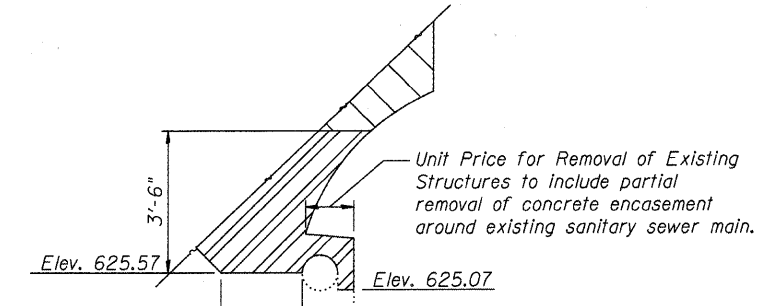
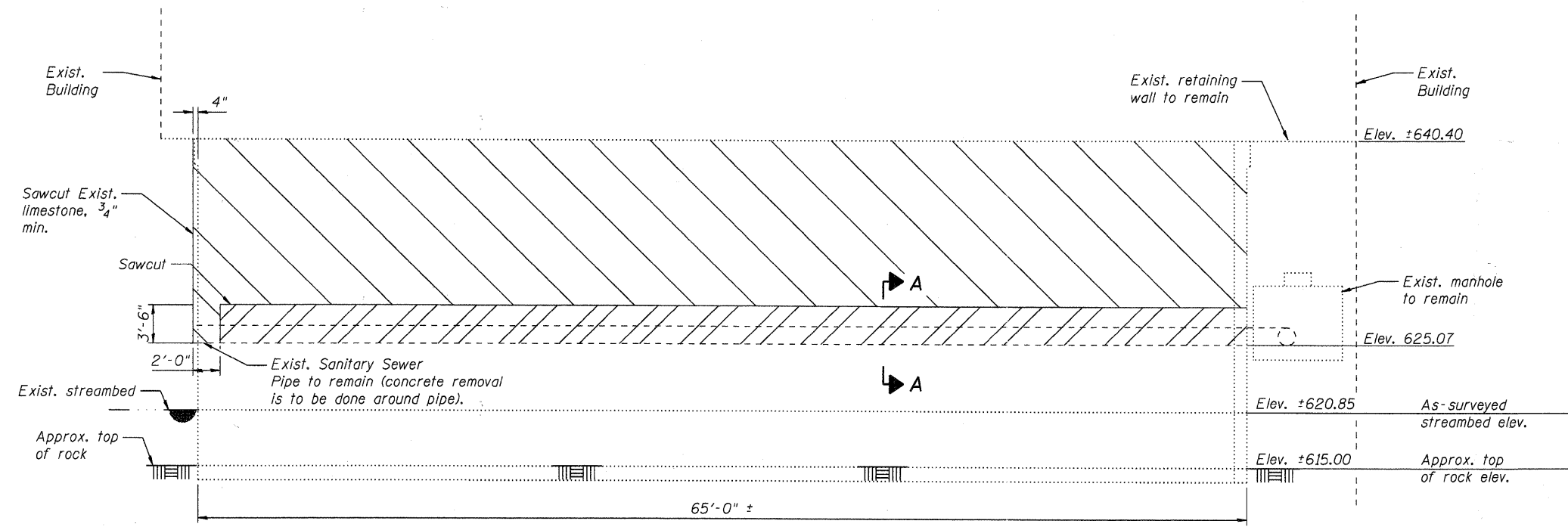


- Notes:
1. Removal of the existing bridge, rails, sidewalk, conc. spandrel walls, fill, conc. retaining walls, sawcuts, pavement, concrete arches and piers are all included in the pay item "Removal of Existing Structures No. 1."
 2. The Illinois Department of Transportation is NOT the owner of record for this bridge. Those seeking historic, As-Built or other existing documents and plans must contact the owner of record to make arrangements for access to this information. The owner of record is the City of Aurora and they have no historic, As-Built or other existing documents or plans for this bridge.
 3. Existing reinforcement extending into removal area shall be cleaned, straightened, and incorporated into the new construction. Cost included in pay item Concrete Removal.
 4. Work this sheet with Pier and Abutment sheets SW-30 through SW-42.



LEGEND

- Indicates area of Removal of Existing Structures
- Indicates removal area associated with Structural Repair of Concrete
- Indicates area of Concrete Removal for Reinforcement Splicing

REMOVAL SECTION THRU EAST ABUTMENT

Areas of Structural Repair of Concrete:
For areas of sound concrete, the face of the abutment shall match the original profile plus two inches, but must include a minimum of two inches of concrete removal from the existing conditions down to sound concrete in accordance with Guide Bridge Special Provision "Structural Repair of Concrete" and a total thickness of no less than four inches of new/repair concrete.

Section Thru West Abut. is similar, except there is no Structural Repair of Concrete.

COMPANY NAME: HRGreen
 PROJECT CONTACT: Michael G. Harding
 CLIENT: City of Aurora
 DATE PLOTTED: 7/26/2011 10:59:08 AM
 FILE NAME: 86250472.dwg
 PLOT SCALE: 1/8" = 1'-0"
 PEN TABLE: SW-6



USER NAME = whood	DESIGNED - JMW	REVISED -
	CHECKED - RGD	REVISED -
PLOT SCALE = N.T.S.	DRAWN - WJH	REVISED -
PLOT DATE = 7/26/2011	CHECKED -	REVISED -

CITY OF AURORA
DOWNER PLACE OVER THE WEST BRANCH
OF THE FOX RIVER

DEMOLITION DETAILS - ABUTMENTS
STRUCTURE NO. 045-6006

SHEET NO. SW-6 OF SW-48 SHEETS

F.A. RTE.	SECTION	COUNTY	TOTAL SHEETS	SHEET NO.
	07-00264-00-BR	KANE	164	58
CONTRACT NO. 63620			ILLINOIS FED. AID PROJECT	