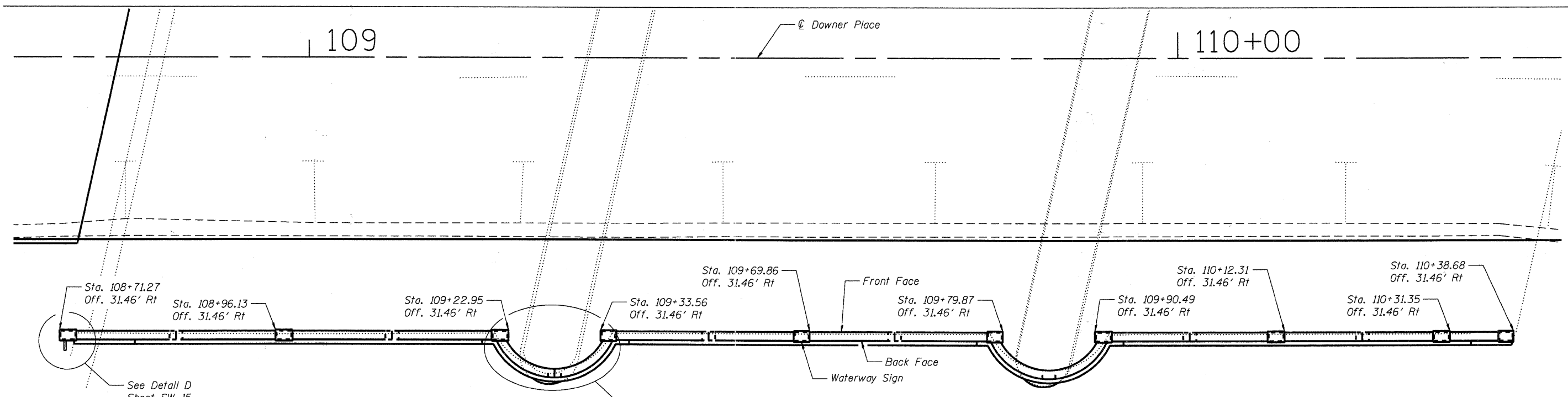
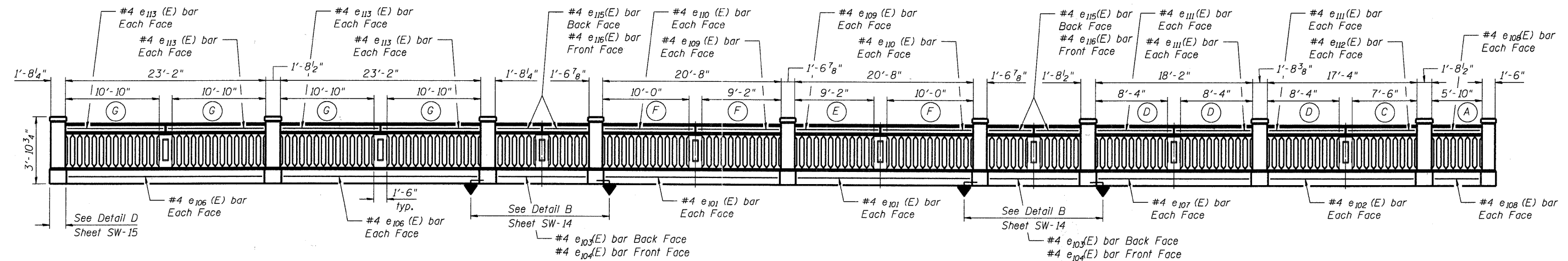


TOP RAIL LENGTHS	
A	6'-5 3/4"
B	7'-3 3/4"
C	8'-1 3/4"
D	8'-11 3/4"
E	9'-9 3/4"
F	10'-7 3/4"
G	11'-5 3/4"
H	13'-11 3/4"



PLAN



SOUTH ELEVATION
(Looking North)

HRGreen
 COMPANY NAME: HRGreen
 PROJECT CONTACT: Michael G. Harding
 CITY: Aurora, IL
 PLOT SCALE: N.T.S.
 FILE NAME: 86200472-10102.dgn
 PLOT DRIVER: perf.plt
 PEN TABLE: Struct 20x34.tbl

HRGreen.com
 Illinois Professional Design Firm
 # 184-001322

USER NAME = whood	DESIGNED - JPG	REVISED -
PLOT SCALE = N.T.S.	CHECKED - RGD	REVISED -
PLOT DATE = 7/26/2011	DRAWN - WJH	REVISED -
	CHECKED -	REVISED -

CITY OF AURORA
DOWNER PLACE OVER THE WEST BRANCH
OF THE FOX RIVER

CONCRETE RAILING DETAILS
STRUCTURE NO. 045-6006
 SHEET NO. SW-13 OF SW-48 SHEETS

F.A. RTE.	SECTION	COUNTY	TOTAL SHEETS	SHEET NO.
	07-00264-00-BR	KANE	164	65
CONTRACT NO. 63620			ILLINOIS FED. AID PROJECT	