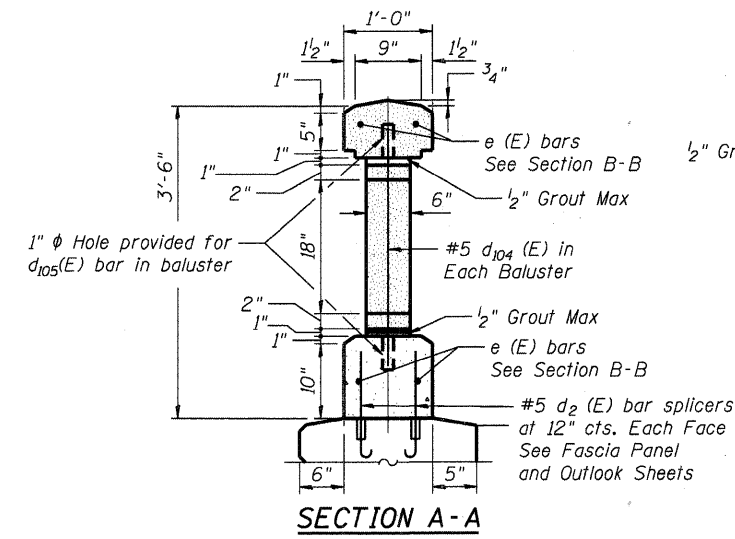
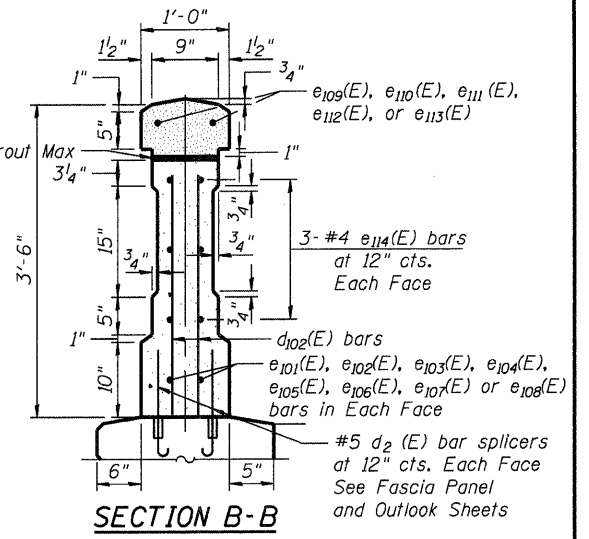


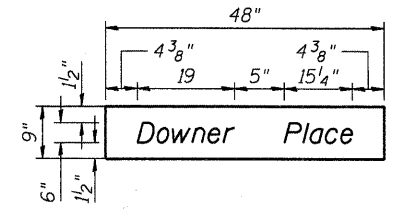
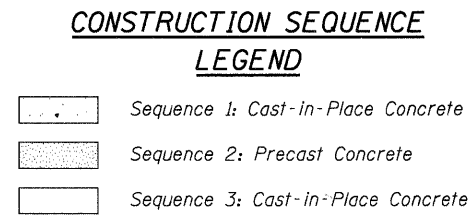
RAIL POST DETAIL



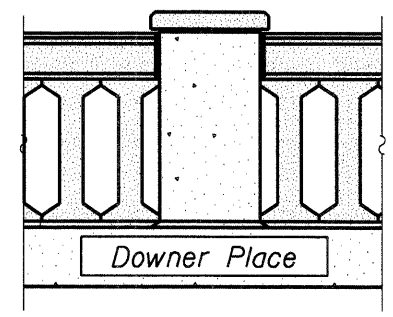
SECTION A-A



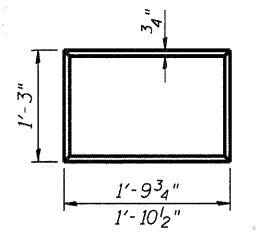
SECTION B-B



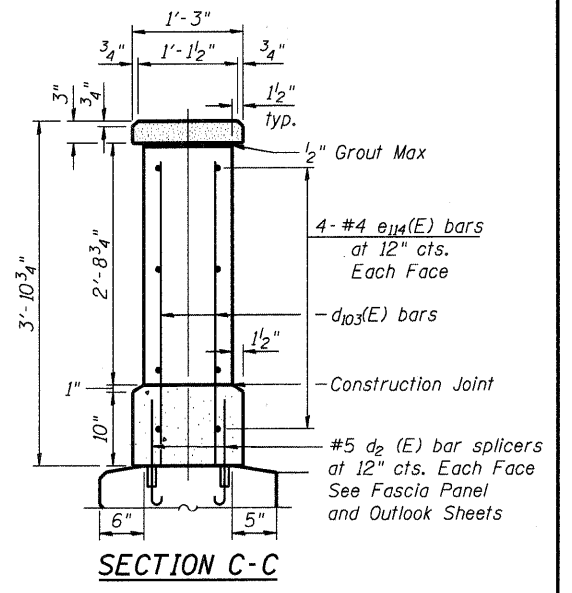
DOWNER PLACE



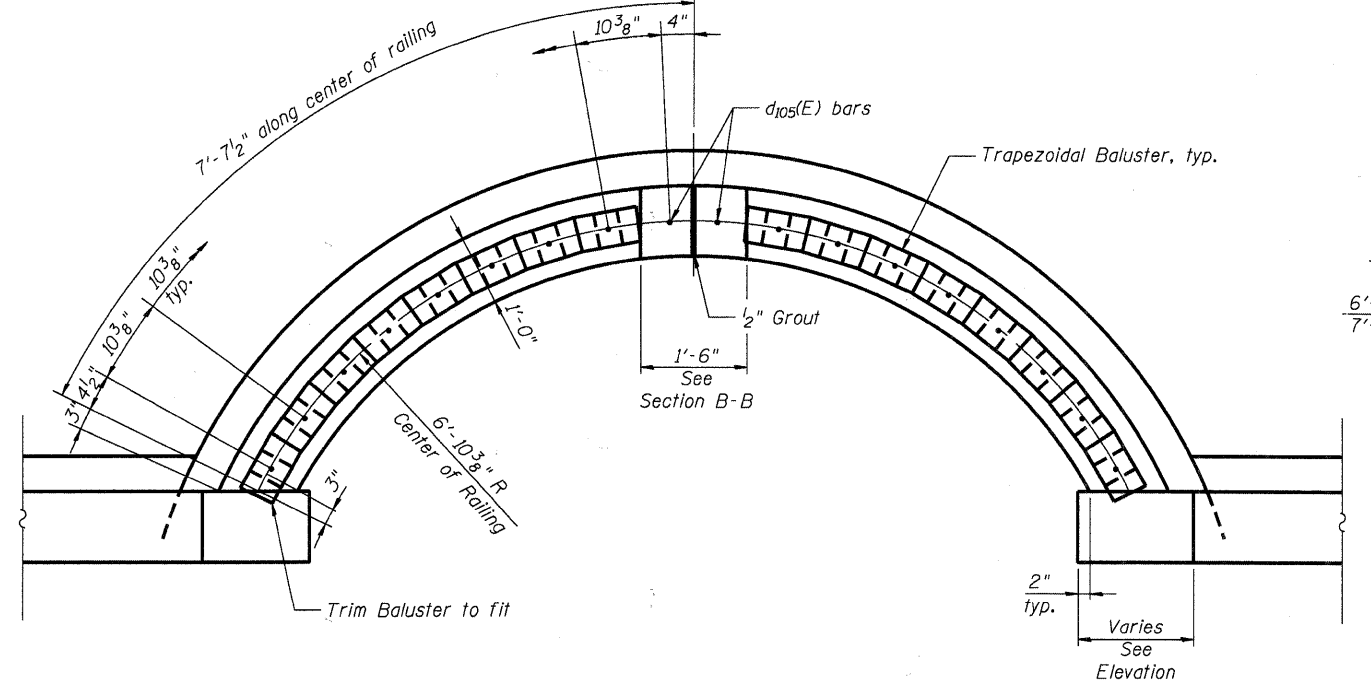
WATERWAY SIGN



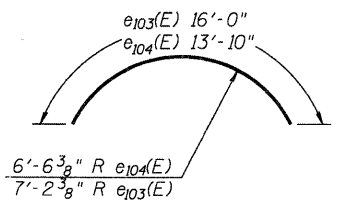
PRECAST CAP



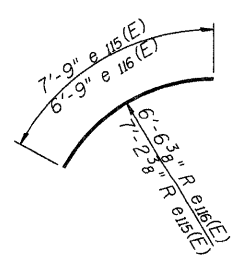
SECTION C-C



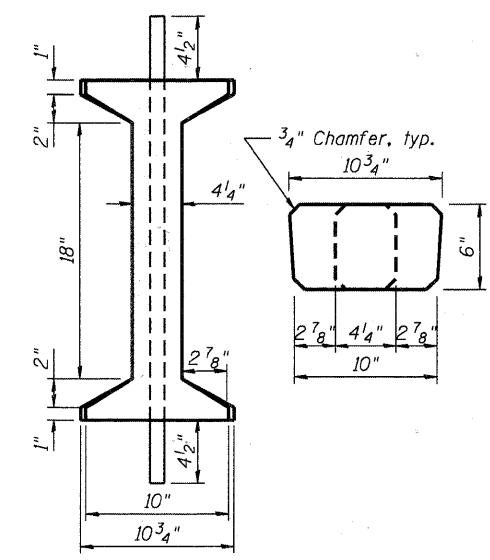
DETAIL B



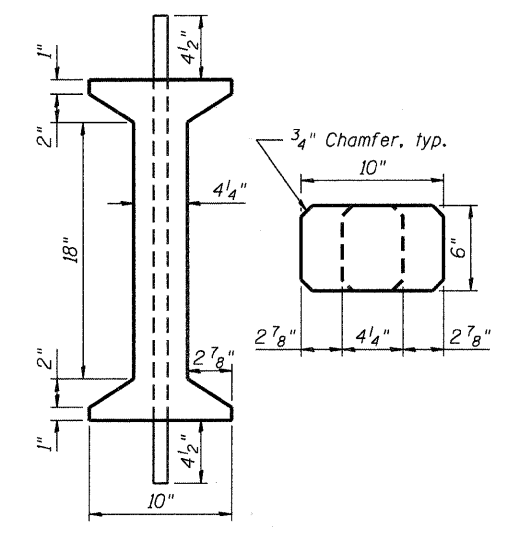
e103(E), or e104(E) Bars



h115(E), or h116(E) Bars



TRAPEZOIDAL BALUSTER



TYPICAL BALUSTER

MINIMUM BAR LAP
 #4 bar = 2'-1"
 #5 bar = 2'-7"

COMPANY NAME: HRGreen
 PROJECT CONTACT: Michael G. Harding
 CLIENT: City of Aurora
 DATE PLOTTED: 7/26/2011 10:59:59 AM
 PLOT DRIVER: hrp2011
 PLOT TABLE: Struct 22x34.tbl

HRGreen.com
 Illinois Professional Design Firm
 #184-001322

USER NAME = whood	DESIGNED - JPG	REVISED -
PLOT SCALE = N.T.S.	CHECKED - RGD	REVISED -
PLOT DATE = 7/26/2011	DRAWN - WJH	REVISED -
	CHECKED -	REVISED -

CITY OF AURORA
DOWNER PLACE OVER THE WEST BRANCH
OF THE FOX RIVER

CONCRETE RAILING DETAILS
STRUCTURE NO. 045-6006
 SHEET NO. SW-14 OF SW-48 SHEETS

F.A. RTE.	SECTION	COUNTY	TOTAL SHEETS	SHEET NO.
	07-00264-00-BR	KANE	164	66
			CONTRACT NO. 63620	
ILLINOIS FED. AID PROJECT				