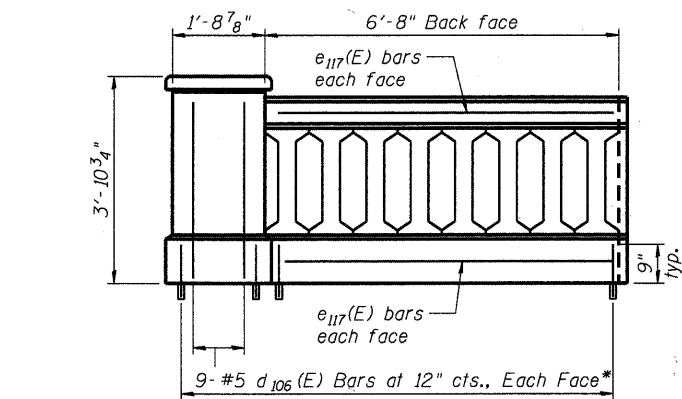


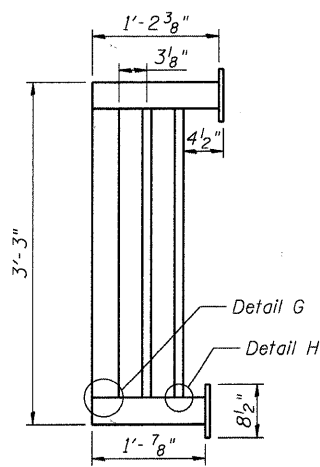
PLAN



ELEVATION

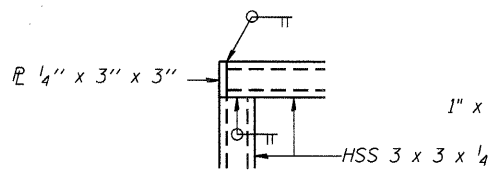
DETAIL A

2-#5 d103(E) bars at 12" cts. Each Face.

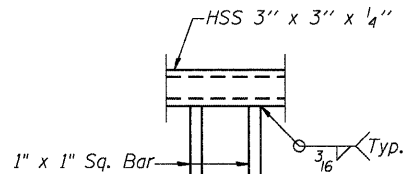


DETAIL E

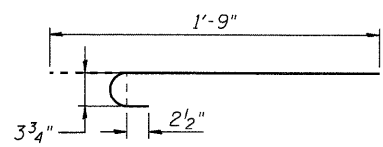
(Paid for as Pedestrian Rail (Special))



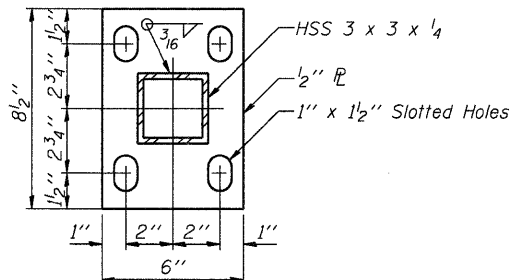
DETAIL G



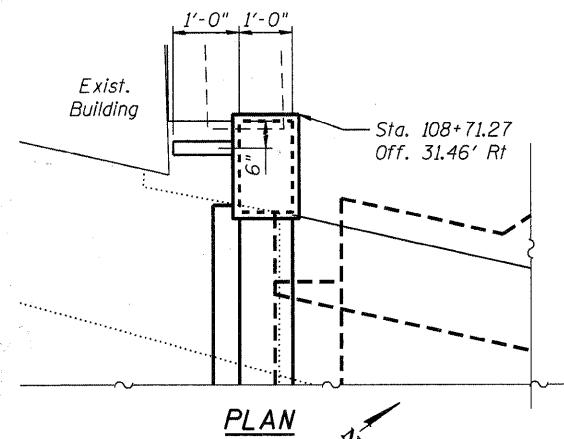
DETAIL H



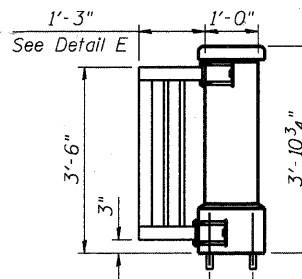
d105(E) Bar



BASE R



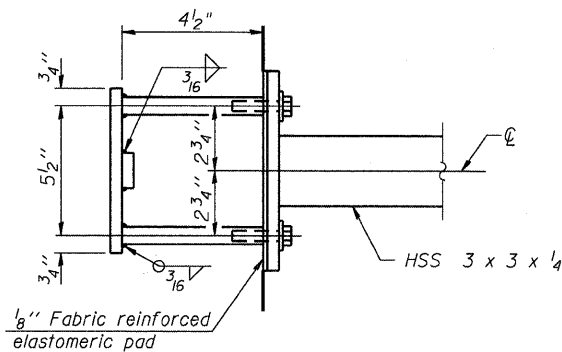
PLAN



ELEVATION

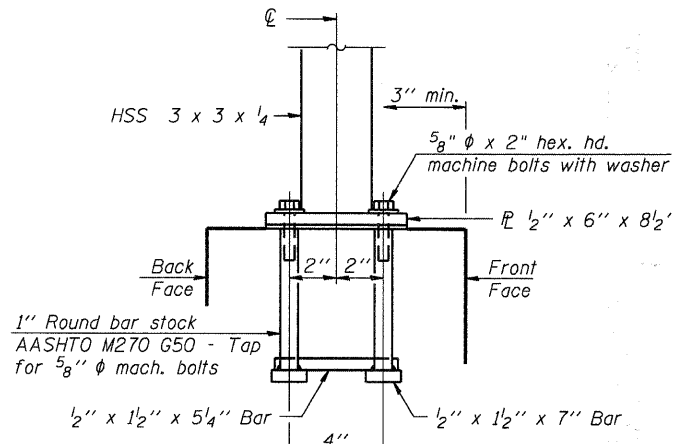
DETAIL D

2-#5 d106(E) Bars at 12" cts. Each Face.*



ELEVATION

ANCHORAGE DETAILS



PLAN

BILL OF MATERIALS

Bar	No.	Size	Length	Shape
d102(E)	64	#5	2'- 8"	—
d103(E)	84	#5	3'- 5"	—
d104(E)	352	#5	2'- 9"	—
d105(E)	32	#5	1'- 9"	—
d106(E)	22	#5	1'- 6"	—
e101(E)	10	#4	20'- 4"	—
e102(E)	4	#4	17'- 0"	—
e103(E)	4	#4	16'- 0"	—
e104(E)	4	#4	13'- 10"	—
e105(E)	4	#4	21'- 2"	—
e106(E)	4	#4	22'- 10"	—
e107(E)	2	#4	17'- 10"	—
e108(E)	4	#4	5'- 6"	—
e109(E)	10	#4	9'- 5"	—
e110(E)	18	#4	10'- 3"	—
e111(E)	10	#4	8'- 7"	—
e112(E)	2	#4	7'- 9"	—
e113(E)	8	#4	11'- 1"	—
e114(E)	264	#4	1'- 2"	—
e115(E)	8	#4	7'- 9"	—
e116(E)	8	#4	6'- 9"	—
e117(E)	4	#4	6'- 4"	—
Reinforcement Bars, Epoxy Coated		Pound	2.610	
Concrete Bridge Railing (Special)		Foot	351	
Pedestrian Rail (Special)		Foot	1	

Reinforcement bars given for information only. Cost is included in Concrete Bridge Railing (Special).

* Epoxy grout d106(E) bars according to Section 584 of the Standard Specifications.

COMPANY NAME: HRGreen
 PROJECT CONTACT: Michael G. Harshing
 CLIENT: CITY OF AURORA
 FILE NAME: 045-6006-00-01.dwg
 PLOT DRIVER: pldr101
 PEN TABLE: S:\Struct\22x34.tbl



USER NAME = whood	DESIGNED - JPG	REVISED -
PLOT SCALE = N.T.S.	CHECKED - RGD	REVISED -
PLOT DATE = 7/26/2011	DRAWN - WJH	REVISED -
	CHECKED -	REVISED -

CITY OF AURORA
 DOWNER PLACE OVER THE WEST BRANCH
 OF THE FOX RIVER

CONCRETE RAILING DETAILS
 STRUCTURE NO. 045-6006

SHEET NO. SW-15 OF SW-48 SHEETS

F.A. RTE.	SECTION	COUNTY	TOTAL SHEETS	SHEET NO.
	07-00264-00-BR	KANE	164	67
			CONTRACT NO. 63620	
ILLINOIS FED. AID PROJECT				