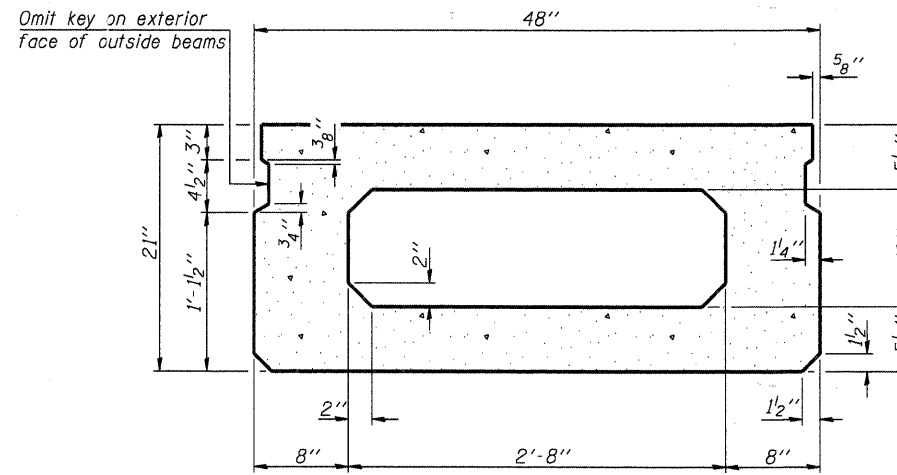
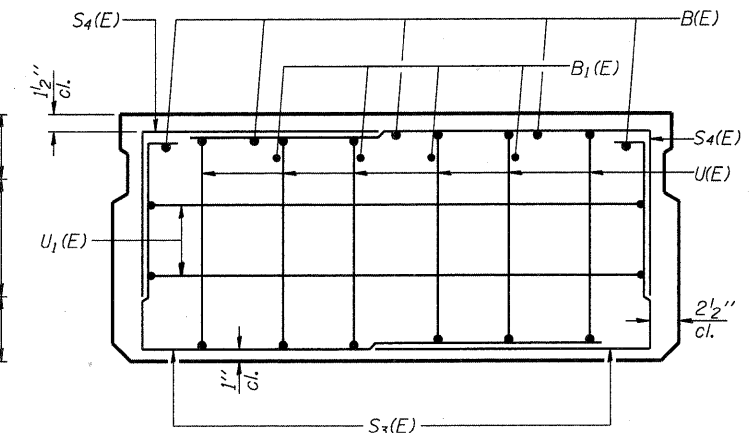


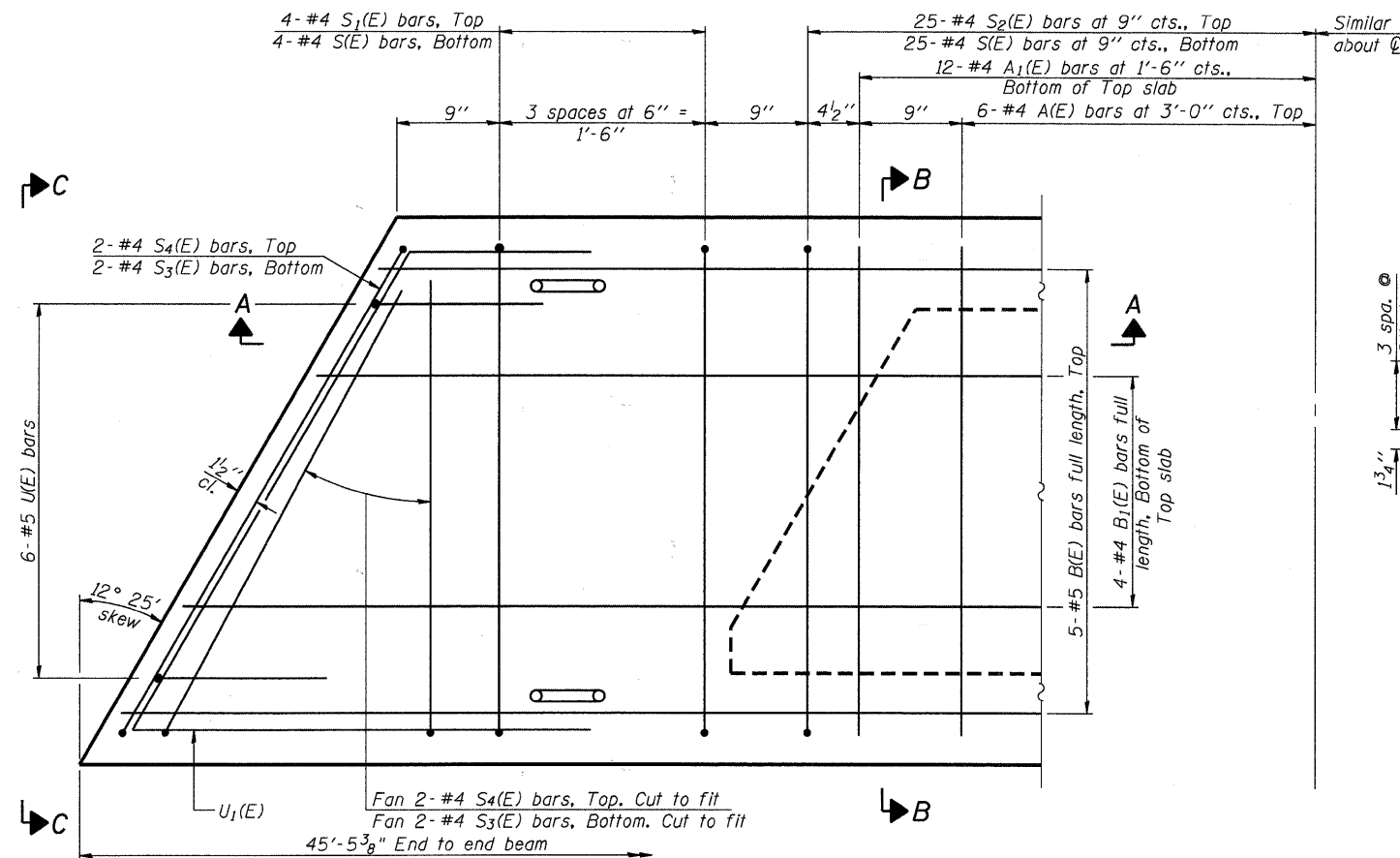
SECTION A-A



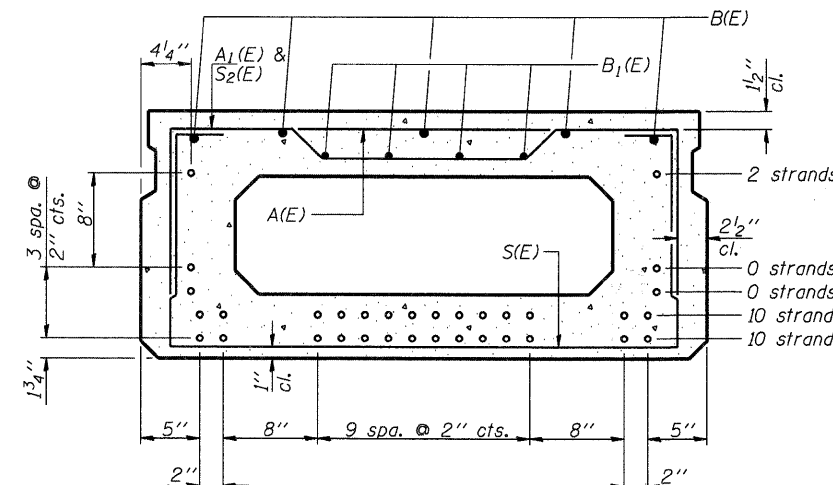
SECTION B-B  
(Showing dimensions)



VIEW C-C



PLAN VIEW



SECTION B-B

(Showing reinforcement and permissible strand locations)  
Note: Place the number of strands specified in each row symmetrically about the centerline of beam in the permissible strand locations shown.

BAR LIST  
ONE BEAM ONLY  
(For information only)

Bar	No.	Size	Length	Shape
A(E)	12	#4	3'-7"	—
A1(E)	24	#4	3'-10"	—
B(E)	5	#5	43'-0"	—
B1(E)	4	#4	43'-0"	—
S(E)	58	#4	7'-5"	U
S1(E)	8	#4	5'-11"	U
S2(E)	50	#4	6'-2"	U
S3(E)	4	#4	4'-9"	U
S4(E)	4	#4	4'-0"	U
U1(E)	12	#5	4'-0"	U
U1(E)	4	#4	7'-0"	U

Note: See next sheet for additional details and Bill of Material.

Note: Spacing of S(E) and S2(E) bars may be adjusted up to 4 inches in the immediate area of the transverse tie diaphragms to miss the block outs for the transverse ties.

MINIMUM BAR LAP

#4 bar = 2'-0"  
#5 bar = 2'-6"

COMPANY NAME: HRGreen  
PROJECT CONTACT: Michael G. Harding  
CLIENT: City of Aurora  
FILE NAME: 0620264-00-00-01.dwg  
PLOT DRIVER: pdfplot  
PEN TABLE: Struct 22x34.tbl

PD-2148-L

7-1-10



USER NAME = whood	DESIGNED - JPG	REVISED -
PLOT SCALE = N.T.S.	CHECKED - RGD	REVISED -
PLOT DATE = 7/26/2011	DRAWN - WJH	REVISED -
	CHECKED -	REVISED -

CITY OF AURORA  
DOWNER PLACE OVER THE WEST BRANCH  
OF THE FOX RIVER

21"X48" PPC DECK BEAM  
STRUCTURE NO. 045-6006  
SHEET NO. SW-16 OF SW-48 SHEETS

F.A. RTE.	SECTION	COUNTY	TOTAL SHEETS	SHEET NO.
	07-00264-00-BR	KANE	164	68
			CONTRACT NO. 63620	
ILLINOIS FED. AID PROJECT				