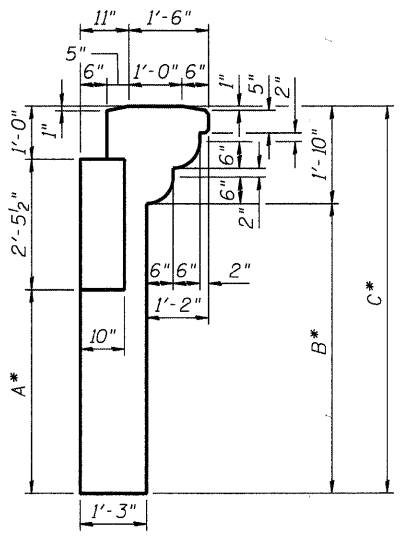
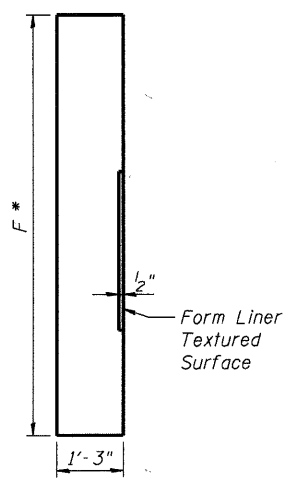


SECTION A-A

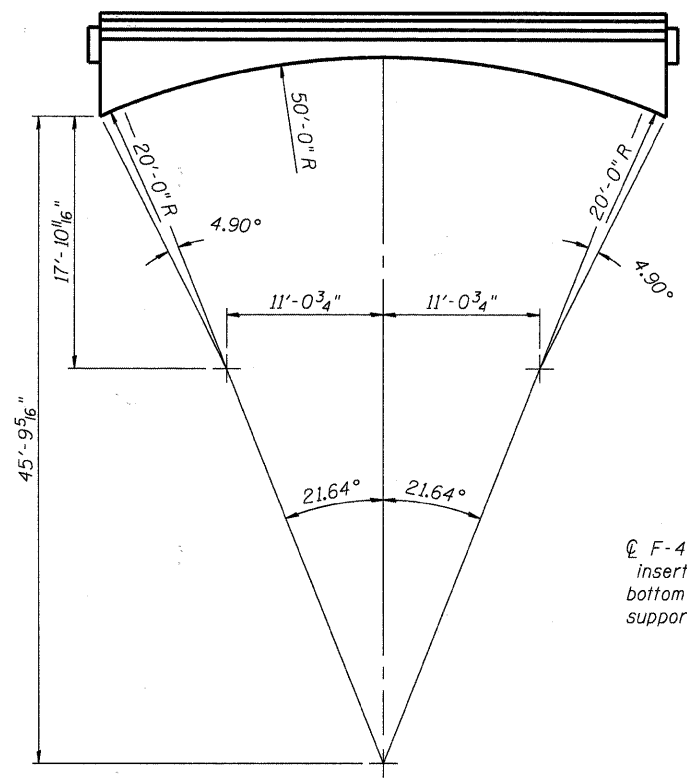


SECTION B-B

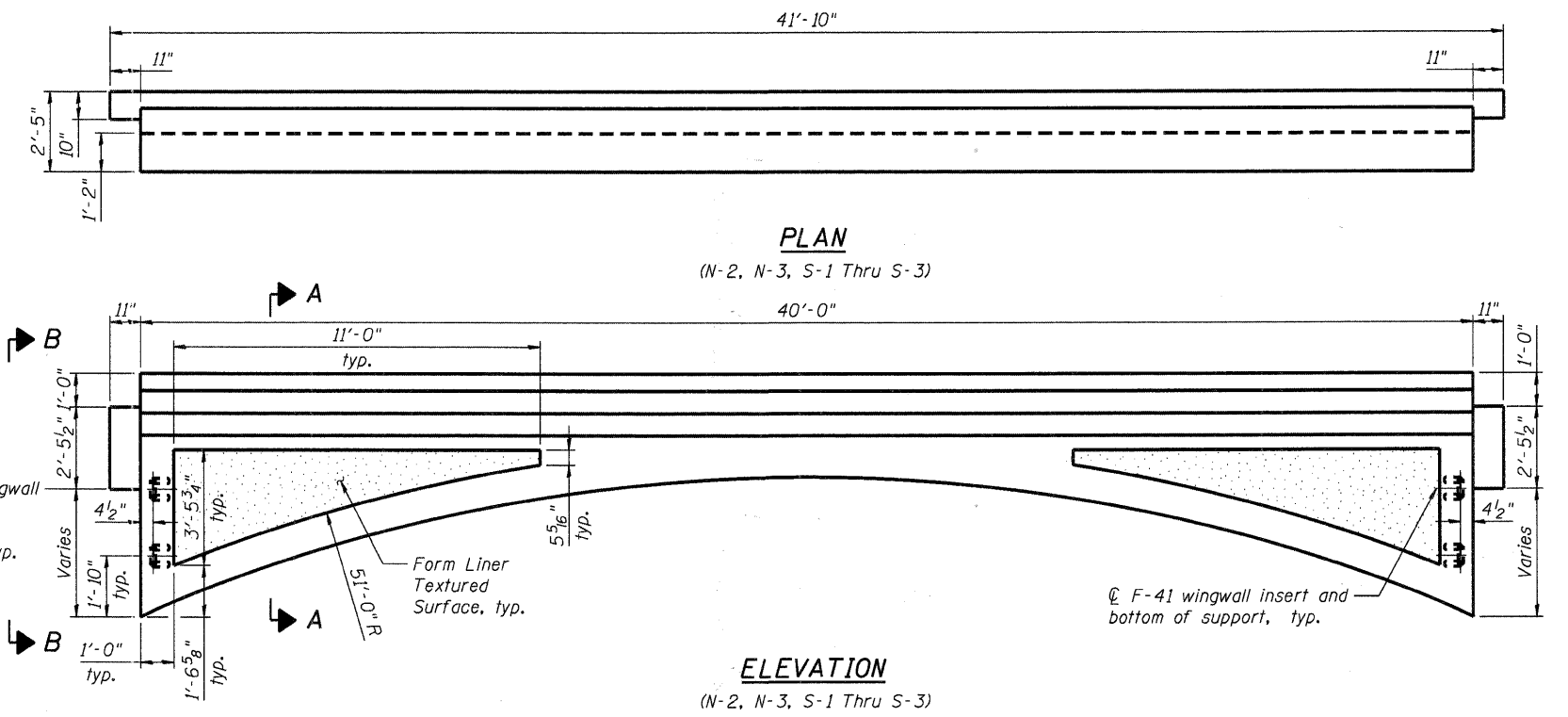
*See section dimensions Table on Sht. SW-23.



SECTION C-C



ARCH LAYOUT

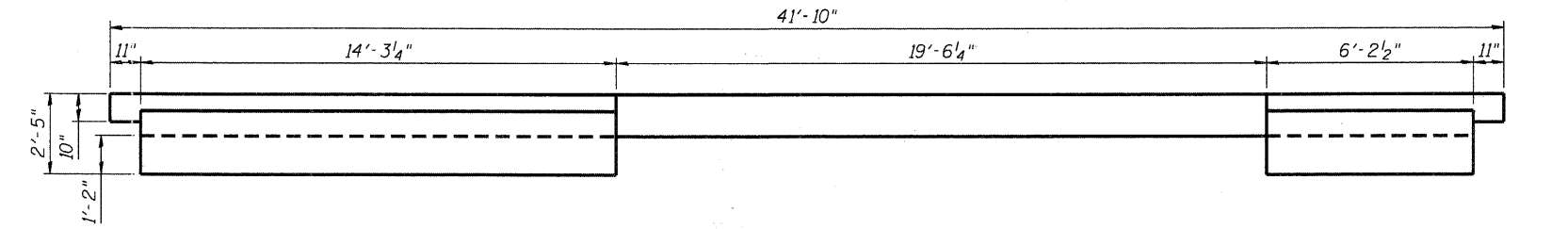


PLAN

(N-2, N-3, S-1 Thru S-3)

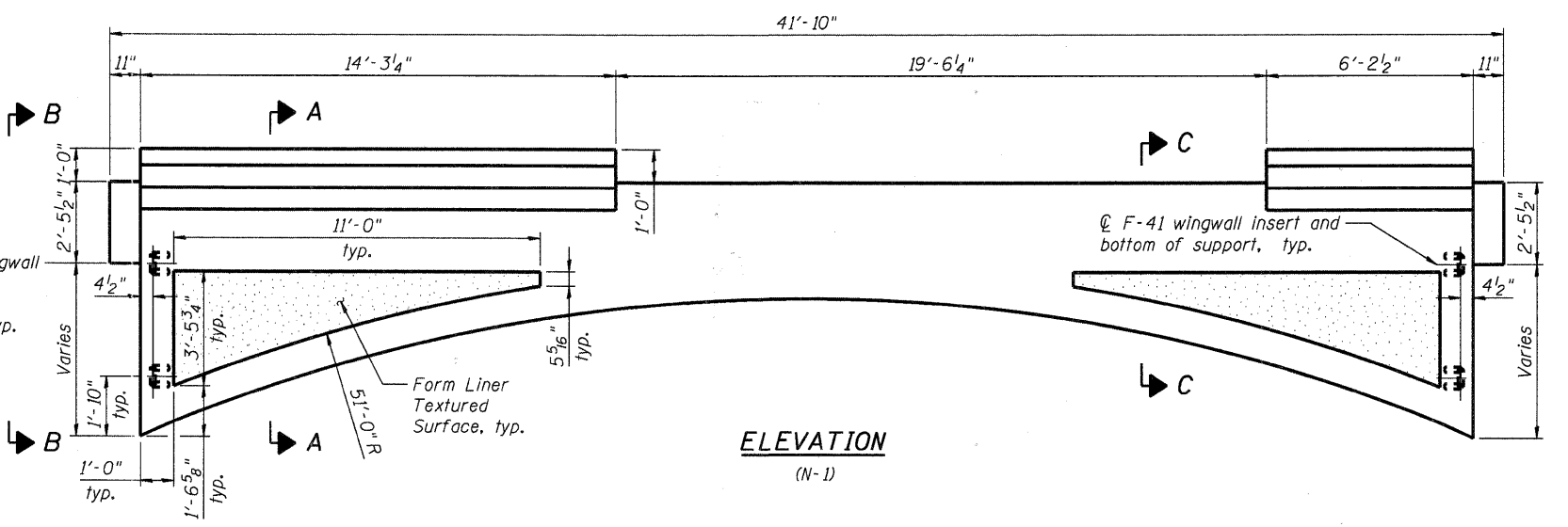
ELEVATION

(N-2, N-3, S-1 Thru S-3)



PLAN

(N-1)



ELEVATION

(N-1)

HRGreen
 PROJECT CONTACT: Michelle G. Harding
 City of Aurora
 1726/2011/100640.M
 DATE PLOTTED:
 PLOT ORIGIN:
 PEN TABLE:



USER NAME = whood	DESIGNED - SSM	REVISED -
PLOT SCALE = N.T.S.	CHECKED - RGD	REVISED -
PLOT DATE = 7/26/2011	DRAWN - WJH	REVISED -
	CHECKED -	REVISED -

CITY OF AURORA
DOWNER PLACE OVER THE WEST BRANCH
OF THE FOX RIVER

PRECAST CONCRETE FASCIA PANEL - SPANDREL
STRUCTURE NO. 045-6006
 SHEET NO. SW-21 OF SW-48 SHEETS

F.A. RTE.	SECTION	COUNTY	TOTAL SHEETS	SHEET NO.
	07-00264-00-BR	KANE	164	73
CONTRACT NO. 63620			ILLINOIS FED. AID PROJECT	