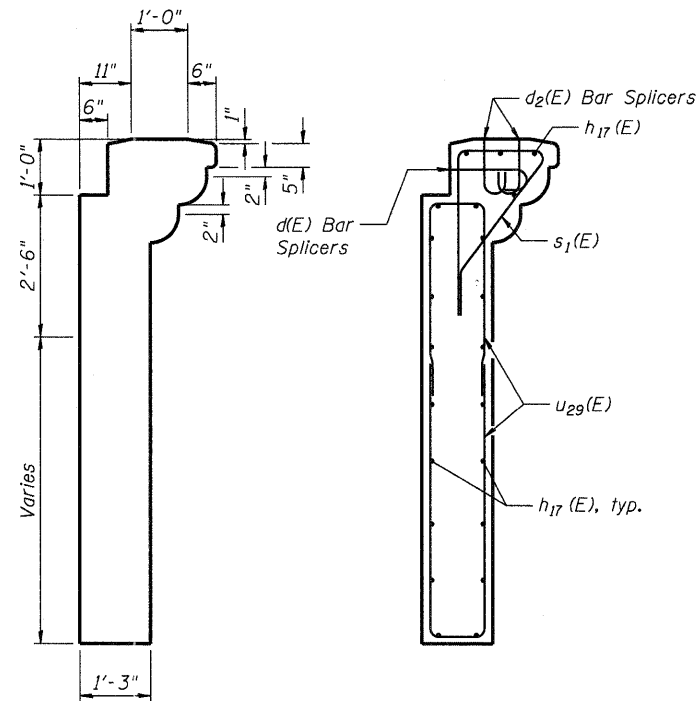
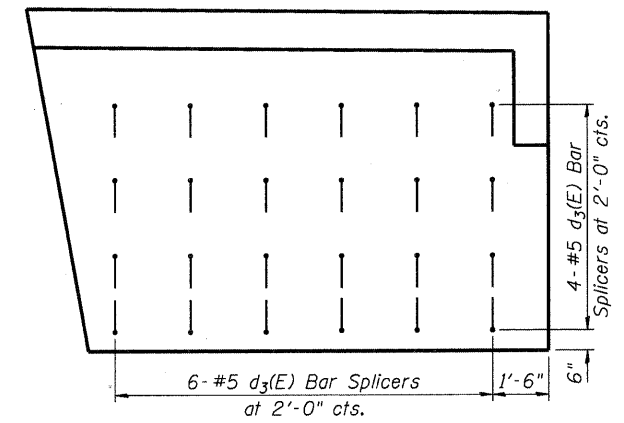


PLAN - NWA

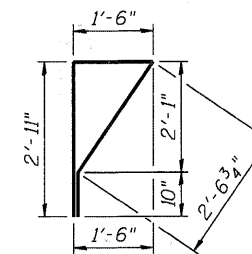


SECTION A-A

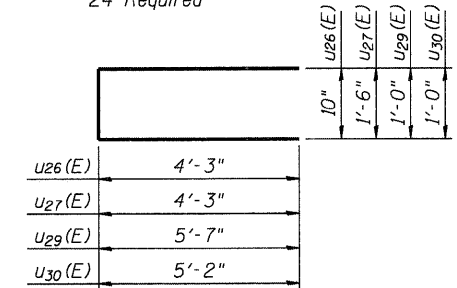


BAR SPLICER LAYOUT

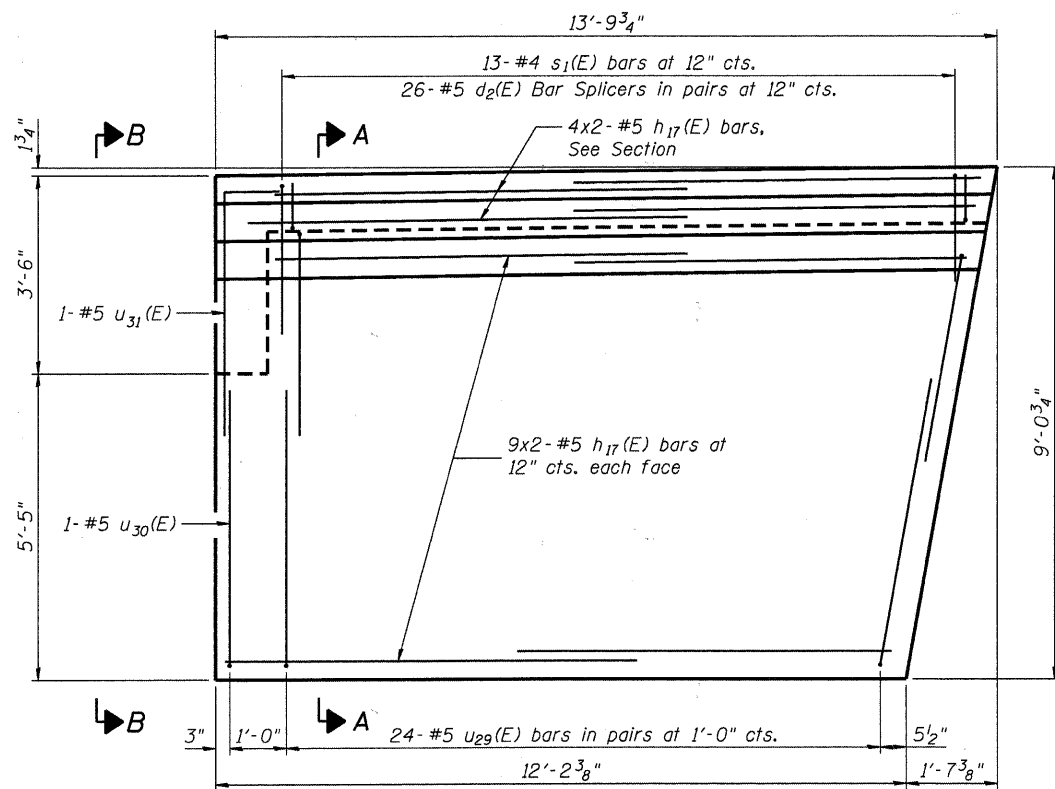
24 Required



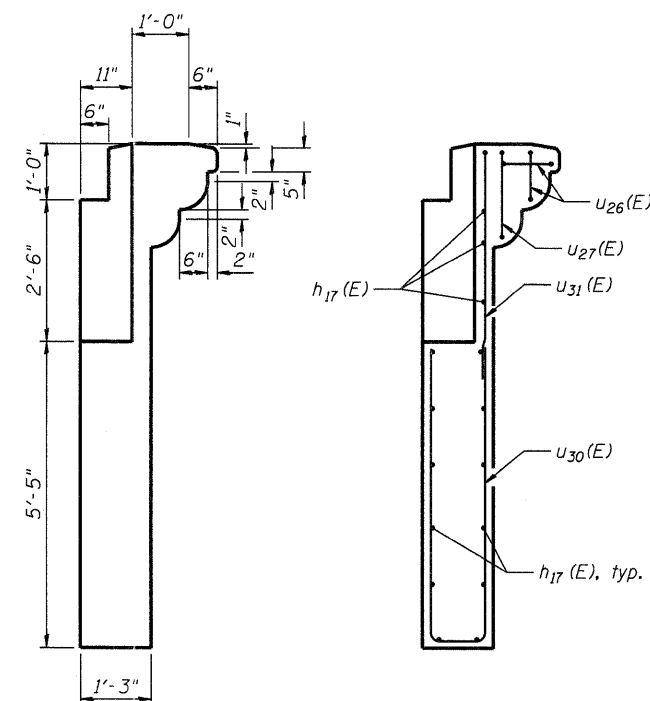
BAR s1(E)



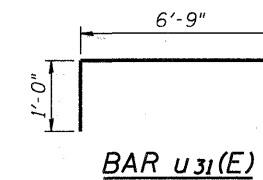
BARS u26(E), u27(E), u29(E) AND u30(E)



ELEVATION - NWA



SECTION B-B



BAR u31(E)

ABUTMENT PANEL REINFORCEMENT

Bar	No.	Size	Length	Shape
s1(E)	13	#4	7'-9"	
h17(E)	44	#5	8'-7"	
u26(E)	2	#4	9'-4"	
u27(E)	1	#4	10'-0"	
u29(E)	24	#5	12'-2"	
u30(E)	1	#5	11'-4"	
u31(E)	1	#5	7'-9"	

Approximate quantities for one (1) abutment panel

COMPANY NAME: HRGreen
 PROJECT CONTACT: Michael G. Harding
 CLIENT: City of Aurora
 DATE PLOTTED: 7/26/2011 10:05:51 AM
 PLOT PRINTER: HP DesignJet 2000
 PEN TABLE: Structure 20x34.tbl



USER NAME = whood	DESIGNED - SSM	REVISED -
CHECKED - RGD	CHECKED - RGD	REVISED -
PLOT SCALE = N.T.S.	DRAWN - WJH	REVISED -
PLOT DATE = 7/26/2011	CHECKED -	REVISED -

CITY OF AURORA
 DOWNER PLACE OVER THE WEST BRANCH
 OF THE FOX RIVER

PRECAST CONCRETE FASCIA PANEL - ABUTMENT
 STRUCTURE NO. 045-6006

SHEET NO. SW-24 OF SW-48 SHEETS

F.A. RTE.	SECTION	COUNTY	TOTAL SHEETS	SHEET NO.
	07-00264-00-BR	KANE	164	76
CONTRACT NO. 63620				
[ILLINOIS] FED. AID PROJECT				