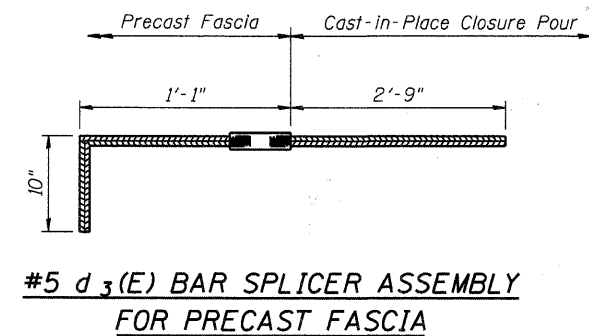
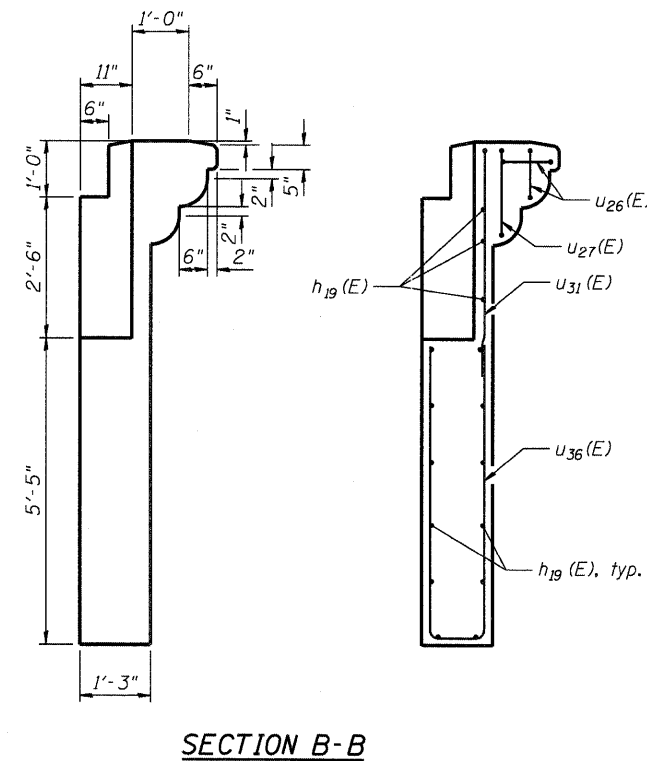
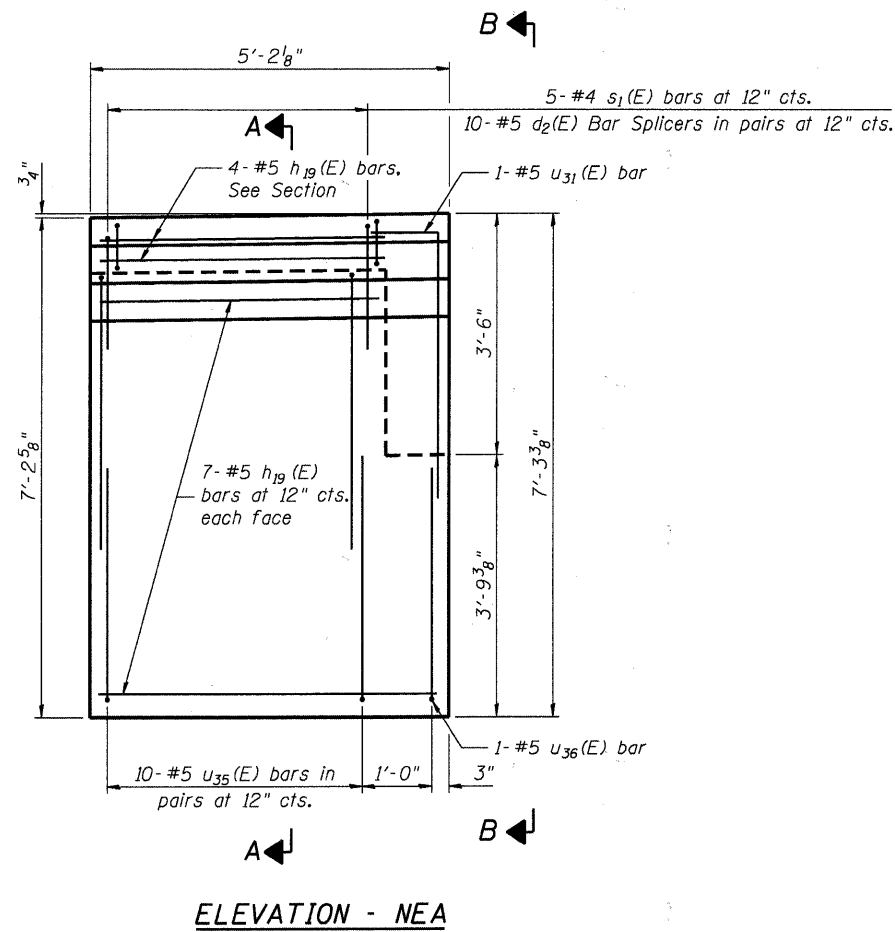


BAR SPLICER LAYOUT

16 Required

		u35(E)	u36(E)	u26(E)	u27(E)
		1'-0"	1'-0"	10"	1'-6"
u35(E)	4'-6"				
u36(E)	3'-6"				
u26(E)	4'-3"				
u27(E)	4'-3"				

BARS u35(E), u36(E), u26(E), AND u27(E)

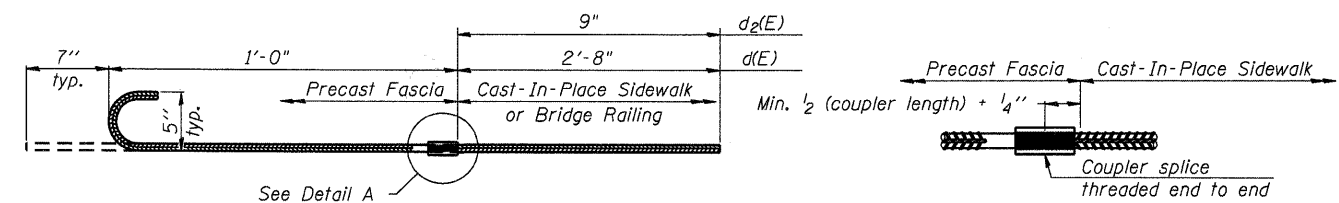


#5 d3(E) BAR SPLICER ASSEMBLY FOR PRECAST FASCIA

No. required = 80 - Abutment Panels

ABUTMENT PANEL REINFORCEMENT

Bar	No.	Size	Length	Shape
s1(E)	5	#4	9'-0"	
h19(E)	44	#5	4'-10"	
u26(E)	2	#4	9'-4"	
u27(E)	1	#4	10'-0"	
u31(E)	1	#5	7'-9"	
u35(E)	10	#5	10'-0"	
u36(E)	1	#5	8'-0"	



#5 d(E) AND d2(E) BAR SPLICER ASSEMBLY FOR PRECAST FASCIA

No. d(E) required = 30 - Abutment Panels
No. d2(E) required = 60 - Abutment Panels

DETAIL A

COMPANY NAME: HRGREEN
PROJECT CONTACT: Michael G. Harding
DATE PLOTTED: 7/26/2011 11:00:59 AM
FILE NAME: 86090412-1-PP-06.dgn
PLOT DRIVER: default
PEN TABLE: Struct 22x34.tbl



USER NAME = whood
PLOT SCALE = N.T.S.
PLOT DATE = 7/26/2011

DESIGNED - SSM
CHECKED - RGD
DRAWN - WJH
CHECKED -

REVISED -
REVISED -
REVISED -
REVISED -

**CITY OF AURORA
DOWNER PLACE OVER THE WEST BRANCH
OF THE FOX RIVER**

**PRECAST CONCRETE FASCIA PANEL - ABUTMENT
STRUCTURE NO. 045-6006**

SHEET NO. SW-26 OF SW-48 SHEETS

F.A. RTE.	SECTION	COUNTY	TOTAL SHEETS	SHEET NO.
	07-00264-00-BR	KANE	164	78
CONTRACT NO. 63620			ILLINOIS FED. AID PROJECT	