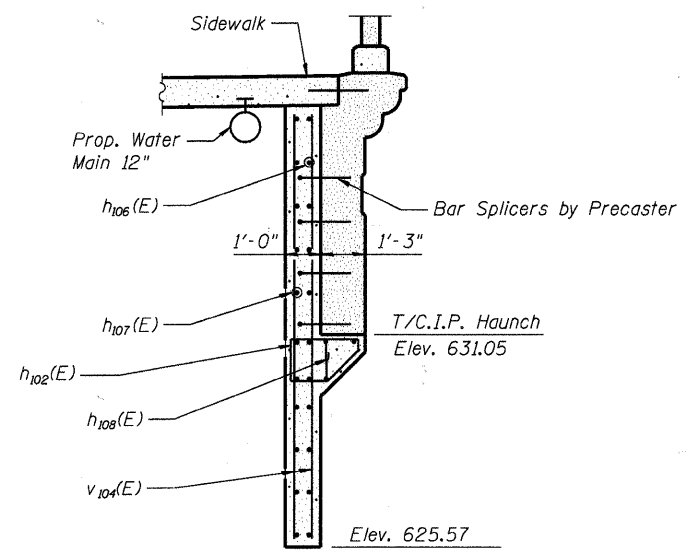
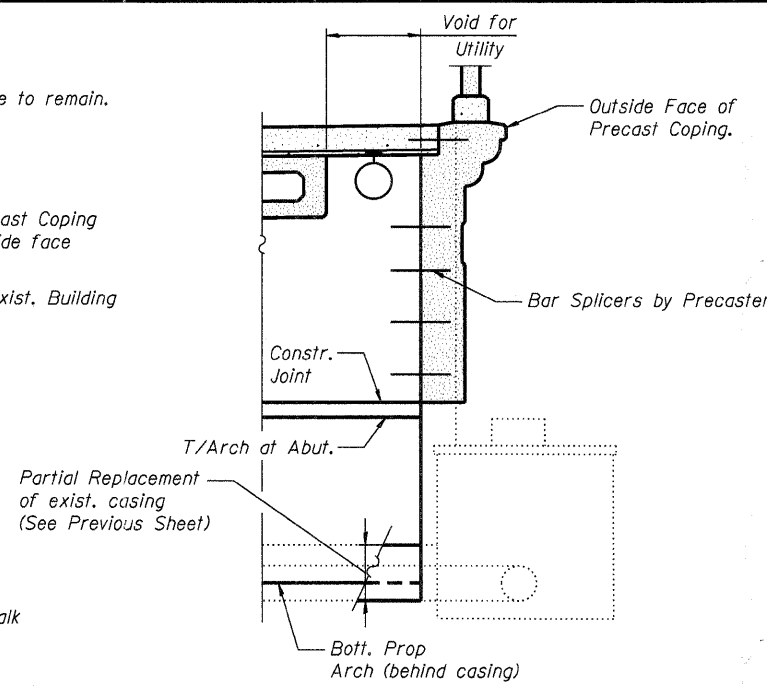


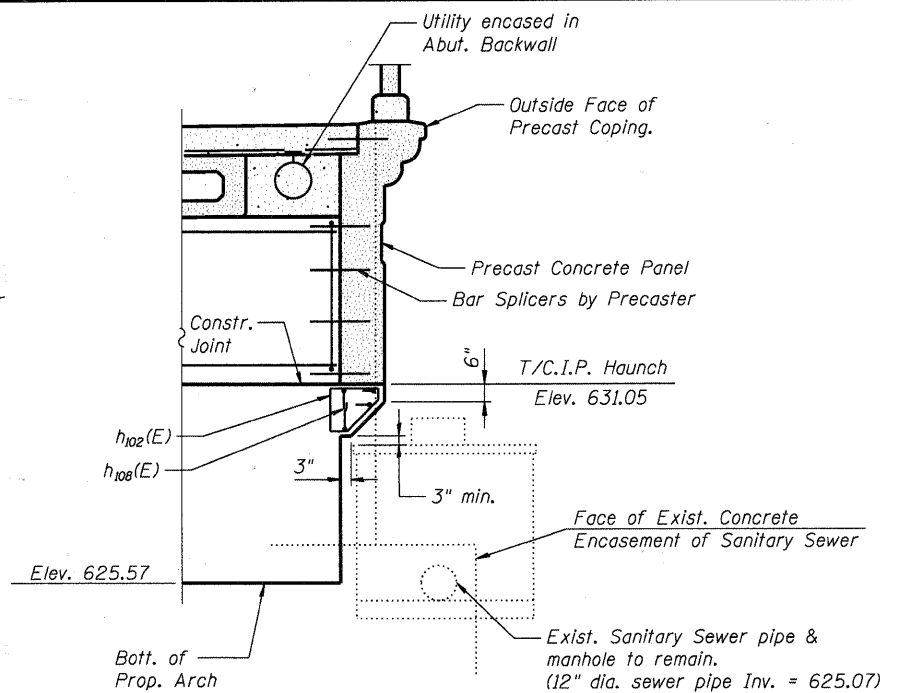
PLAN - N.W. CORNER OF WEST ABUTMENT
Railing not shown for clarity



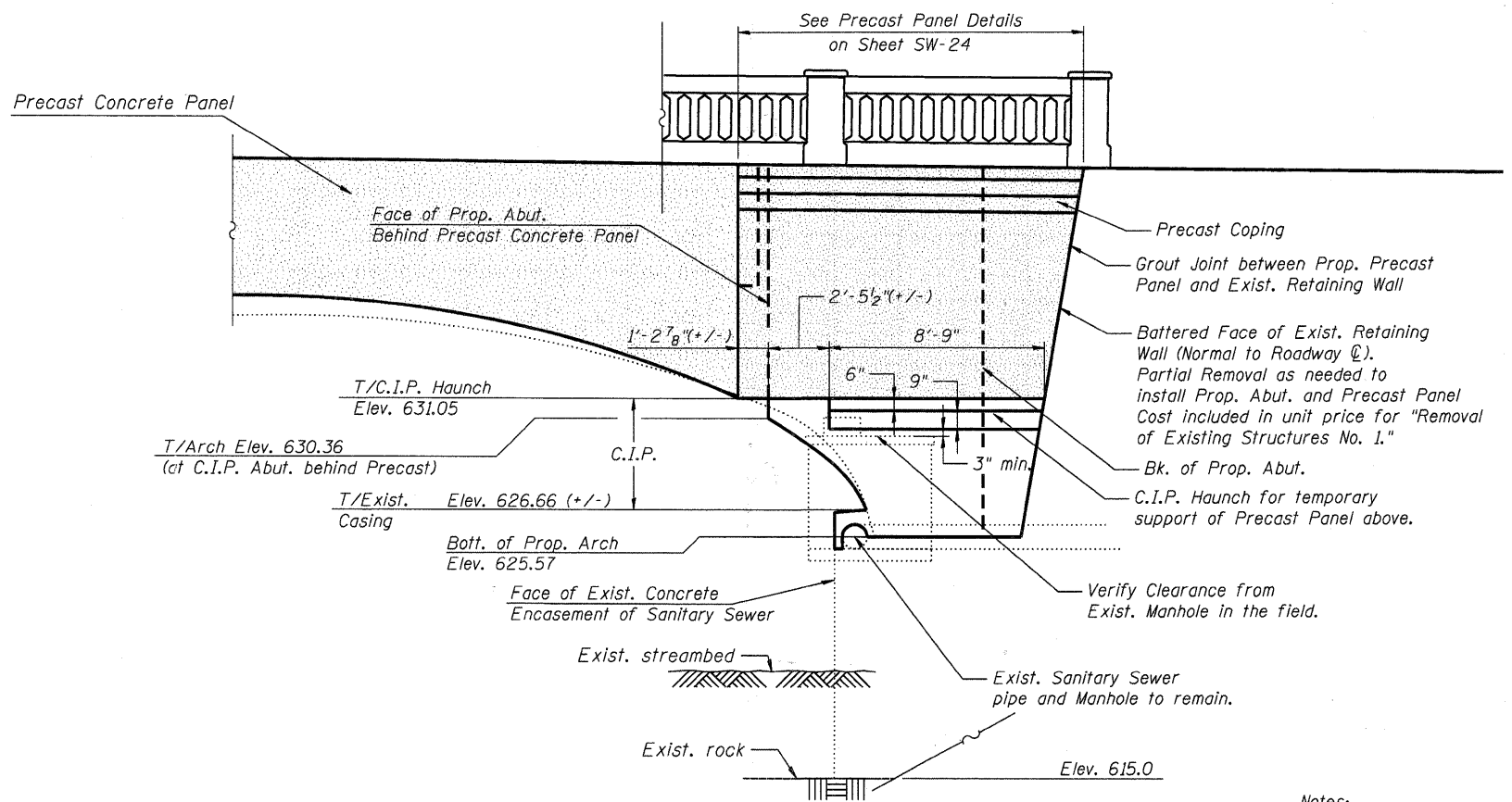
SECTION E-E



SECTION C-C



SECTION D-D



ELEVATION AT N.W. CORNER OF WEST ABUTMENT
Parallel to Roadway C

Notes:
1. See next sheet for Section G-G

COMPANY NAME: HRGreen
PROJECT CONTACT: Michael G. Harding
CLIENT: City of Aurora
DATE PLOTTED: 07/26/2011 10:03:00 AM
DRAWN BY: JWH
PLOT DRIVER: pdr
PEN TABLE: Struct 22x34.tbl



USER NAME = whood	DESIGNED - JMW	REVISED -
PLOT SCALE = N.T.S.	CHECKED - RGD	REVISED -
PLOT DATE = 7/26/2011	DRAWN - WJH	REVISED -
	CHECKED -	REVISED -

CITY OF AURORA
DOWNER PLACE OVER THE WEST BRANCH
OF THE FOX RIVER

NORTHWEST CORNER DETAILS
STRUCTURE NO. 045-6006
SHEET NO. SW-32 OF SW-48 SHEETS

F.A. RTE.	SECTION	COUNTY	TOTAL SHEETS	SHEET NO.
	07-00264-00-BR	KANE	164	84
CONTRACT NO. 63620				
ILLINOIS FED. AID PROJECT				