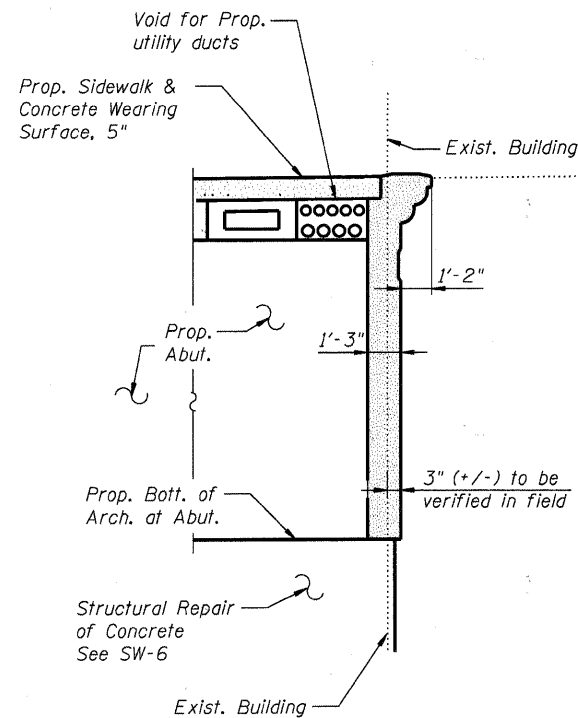
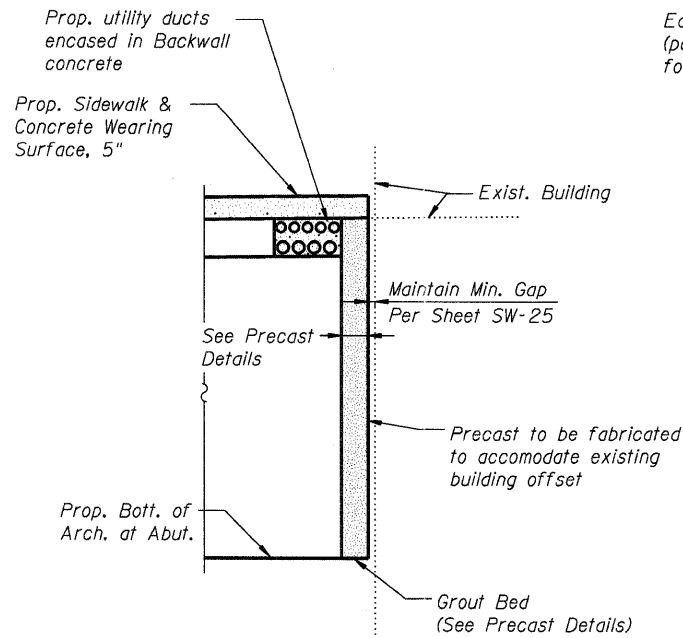


ELEVATION AT S.E. CORNER OF EAST ABUTMENT

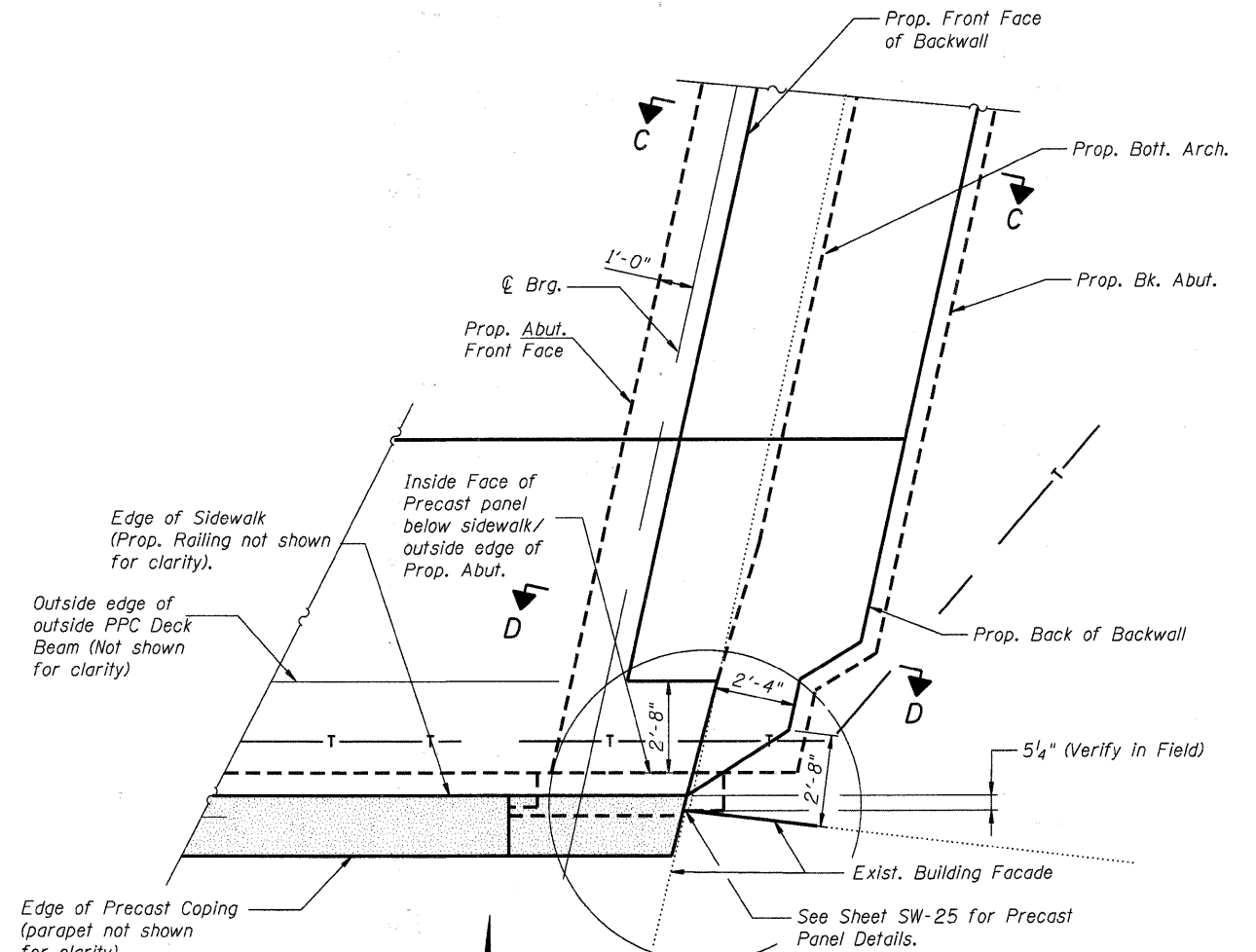
Parallel to Roadway ϕ



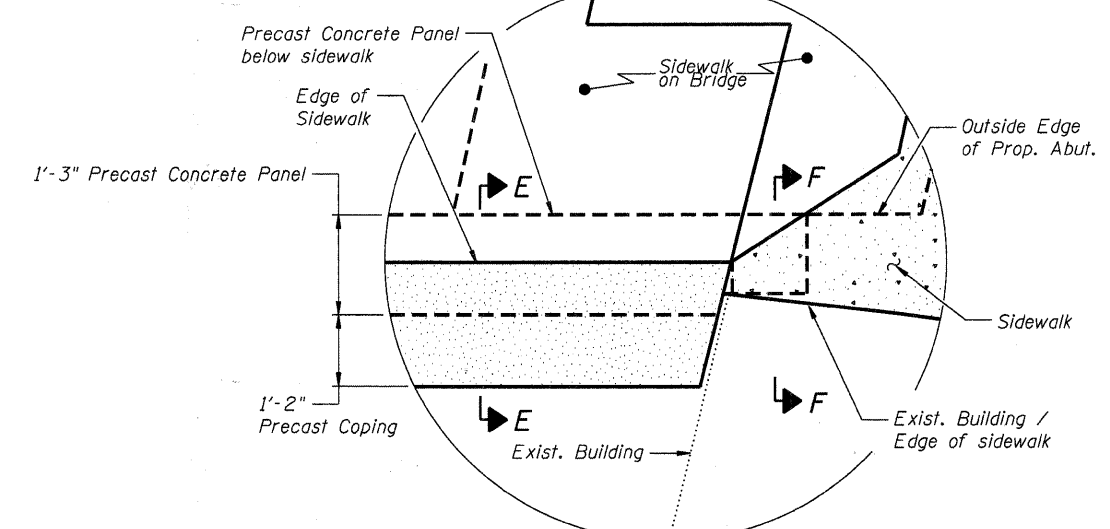
SECTION E-E



SECTION F-F



PLAN - S.E. CORNER EAST ABUTMENT



- Notes:
1. Structural Repair of Concrete, see Sheet SW-6.
 2. See previous sheet for Sections C-C and D-D.

HRGREEN
 COMPANY NAME: HRGreen
 PROJECT CONTACT: Michael C. Harding
 CLIENT: City of Aurora
 DATE: 7/26/2011 10:00 AM
 FILE NAME: 86090472-W 615156.dgn
 PLOT DRIVER: pdf.plt
 PEN TABLE: Struct 22x34.tbl



USER NAME = whood	DESIGNED - JMW	REVISED -
PLOT SCALE = N.T.S.	CHECKED - RGD	REVISED -
PLOT DATE = 7/26/2011	DRAWN - WJH	REVISED -
	CHECKED -	REVISED -

CITY OF AURORA
DOWNER PLACE OVER THE WEST BRANCH
OF THE FOX RIVER

SOUTHEAST CORNER DETAILS
STRUCTURE NO. 045-6006

SHEET NO. SW-37 OF SW-48 SHEETS

F.A. RTE.	SECTION	COUNTY	TOTAL SHEETS	SHEET NO.
	07-00264-00-BR	KANE	164	89
CONTRACT NO. 63620			ILLINOIS FED. AID PROJECT	