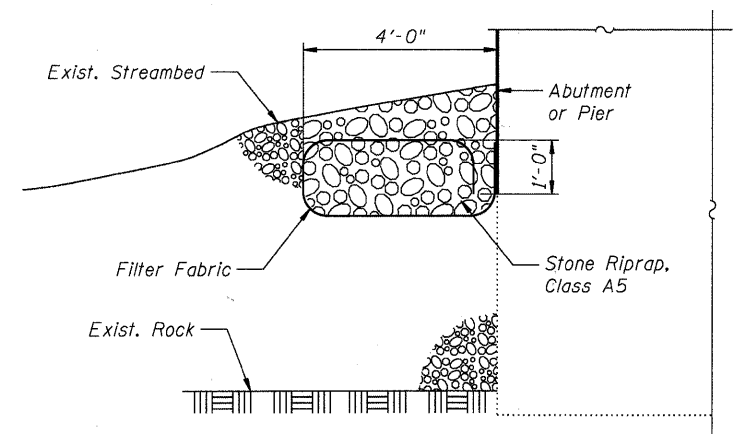


SECTION THRU ABUTMENT
Dimensions at Rt. L's

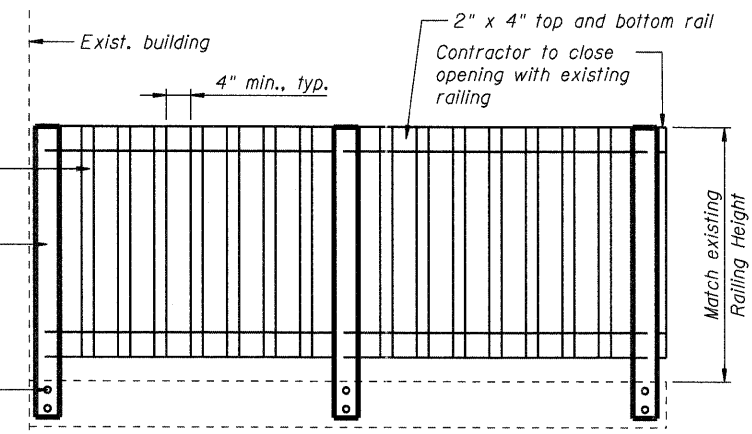
*Included in the cost of Pipe Underdrains for Structures.



STONE RIPRAP DETAIL

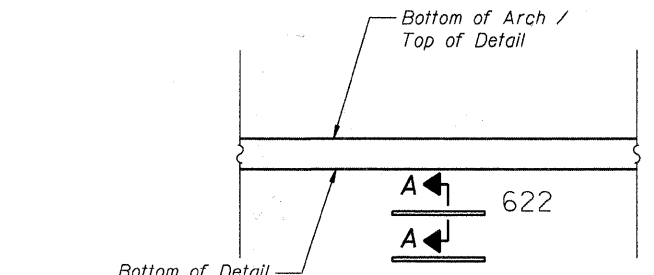
LEGEND
For SE-1

- T— Exist. Telephone. Abandoned by AT&T prior to Const.
- E— Exist. City of Aurora electric, to be relocated
- W— Exist. City of Aurora water main, 12"
- T— Prop. conduit for AT&T
- W— Prop. City of Aurora water main, 12"
- E— Prop. conduit for ComEd and Comcast
- O— Prop. conduit for City of Aurora



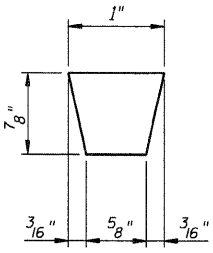
RAILING CLOSURE DETAIL
(Looking South)

Contractor shall use pressure treated lumber and finish it with and exterior black paint.
Cost for this work and materials included in the pay item for Removal of Existing Structures No. 2.

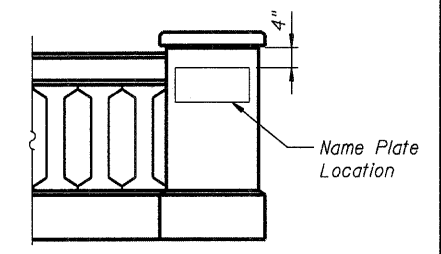


STREAM GAUGE DETAIL

Location of the Stream Gauge shall be at the northwest side of Pier 2 and approved by the Engineer. Number lettering shall be 4" tall x 2 3/4" wide x 1/2" deep. Stream gauge included in cost for Structural Repair of Concrete (Depth equal to or less than 5 inches).



SECTION A-A



NORTHEAST PILASTER
(Center Name Plate horizontally on pilaster.)

STATION 115+90
RE-BUILT 201 BY
CITY OF AURORA
LOADING HL-93
STRUCTURE NO. 045-6005

NAME PLATE
See Std. 515001

TOTAL BILL OF MATERIAL

ITEM	UNIT	SUPER	SUB	TOTAL
Stone Riprap, Class A5	Sq Yd	---	220	220
Filter Fabric	Sq Yd	---	1,006	1,006
Removal of Existing Structures No. 2	Each	0.5	0.5	1
Concrete Removal	Cu Yd	---	192.0	192.0
Structure Excavation	Cu Yd	---	295.2	295.2
Cofferdam Excavation	Cu Yd	---	401.3	401.3
Cofferdam (Location - 4)	Each	---	1	1
Cofferdam (Location - 5)	Each	---	1	1
Cofferdam (Location - 6)	Each	---	1	1
Concrete Structures	Cu Yd	---	1,051.6	1,051.6
Concrete Superstructure	Cu Yd	314.3	---	314.3
Bridge Deck Grooving	Sq Yd	869	---	869
Protective Coat	Sq Yd	1,325	---	1,325
Precast Prestressed Concrete Deck Beams (21" Depth)	Sq Ft	7,486	---	7,486
Reinforcement Bars	Pound	---	1,450	1,450
Reinforcement Bars, Epoxy Coated	Pound	33,260	83,510	116,770
Bar Splicers	Each	258	453	711
Name Plates	Each	1	---	1
Concrete Sealer	Sq Ft	---	612	612
Geocomposite Wall Drain	Sq Yd	---	106	106
Concrete Bridge Railing	Foot	367	---	367
Porous Granular Embankment, Special	Cu Yd	---	338.0	338.0
Concrete Wearing Surface, 5"	Sq Yd	715	---	715
Pedestrian Rail (Special)	Foot	3	---	3
Structural Repair Of Concrete (Depth Equal to or Less than 5 Inches)	Sq Ft	---	3,244	3,244
Structural Repair Of Concrete (Depth Greater than 5 Inches)	Sq Ft	---	812	812
Drainage Scupper, DS11	Each	2	---	2
Silicone Joint Sealer, 1"	Foot	150	---	150
Pipe Underdrains for Structures 4"	Foot	---	158	158
Furnishing And Erecting Precast Concrete Panels, Structure 2	L Sum	1	---	1

COMPANY NAME: HRGreen
 PROJECT CONTACT: Michael G. Haralting
 DATE PLOTTED: 7/26/2011 11:03:21 AM
 FILE NAME: 86090412-E-09and02.dgn
 PLOT DRIVER: pdfplot
 PEN TABLE: Struct 22x34.tbl

HRGreen.com
 Illinois Professional Design Firm
 #184-001322

USER NAME = whood	DESIGNED - MGH	REVISED -
PLOT SCALE = N.T.S.	CHECKED - RGD	REVISED -
PLOT DATE = 7/26/2011	DRAWN - WJH	REVISED -
	CHECKED -	REVISED -

CITY OF AURORA
DOWNER PLACE OVER THE EAST BRANCH
OF THE FOX RIVER

GENERAL DATA
STRUCTURE NO. 045-6005
SHEET NO. SE-3 OF SE-45 SHEETS

F.A. RTE.	SECTION	COUNTY	TOTAL SHEETS	SHEET NO.
	07-00264-00-BR	KANE	164	103
			CONTRACT NO. 63620	
ILLINOIS FED. AID PROJECT				