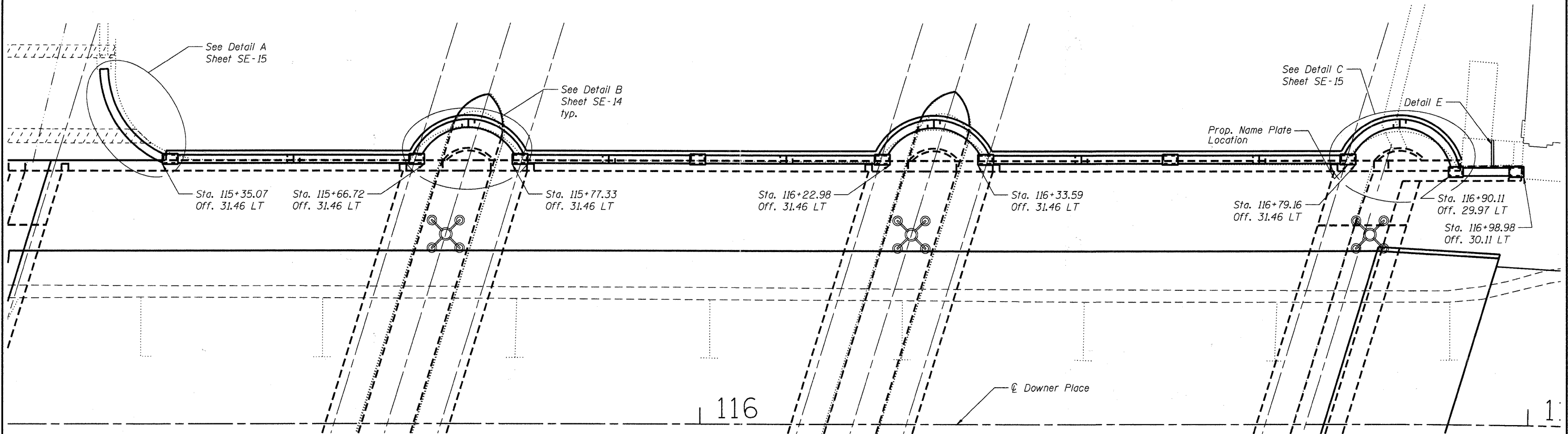


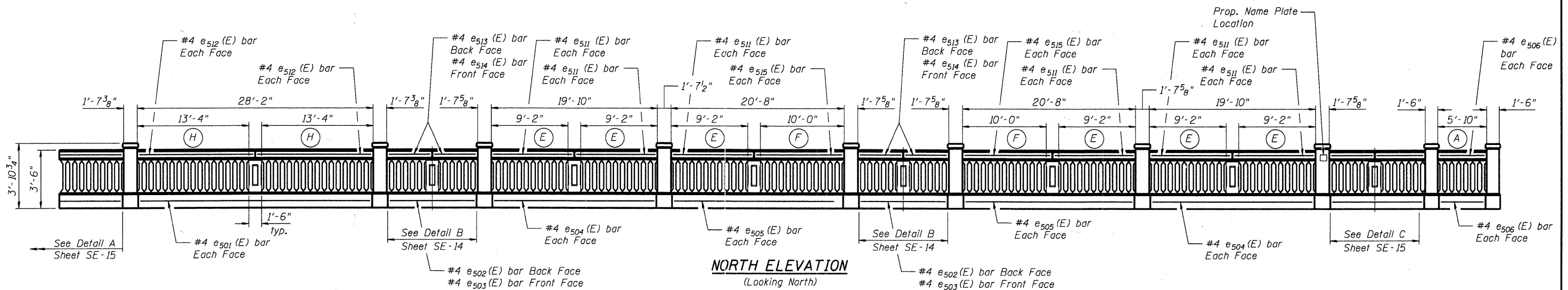
**RAILING NOTES**

- Concrete Bridge Railing (Special) shall consist of furnishing and erecting the cast in place base of rail, span pilasters, pilasters and the precast balusters, top rail, and cap. This work shall include the drilling and epoxy grouting of the d01(E) bars were necessary and the d05(E) balluster bars into the base of rail and rail.
- The precast concrete shall be constructed in accordance with Section 504 of the Standard Specifications.
- The cast in place concrete pilasters and base of rail shall match the concrete finish of the precast members and aggregate type. Contractor shall supply a concrete mix design which is compatible with the precast manufacturer's mix design to ensure uniformity of color and texture on the Concrete Bridge Railing (Special).
- Finish according to Article 503.16 and the Concrete Finishes specification.

TOP RAIL LENGTHS	
A	6'-5 3/4"
B	7'-3 3/4"
C	8'-1 3/4"
D	8'-11 3/4"
E	9'-9 3/4"
F	10'-7 3/4"
G	11'-5 3/4"
H	13'-11 3/4"



**PLAN**



**NORTH ELEVATION**  
(Looking North)

COMPANY NAME: HRGreen  
 CONTACT: HRGreen, Inc.  
 CLIENT: City of Aurora  
 DATE PLOTTED: 7/26/2011 11:04:23 AM  
 FILE NAME: 06090412-E-railing.dwg  
 PLOT DRIVER: pnf.plt  
 PEN TABLE: S:\Struct 22x34.tbl



USER NAME = whood  
 PLOT SCALE = N.T.S.  
 PLOT DATE = 7/26/2011

DESIGNED - JPG  
 CHECKED - RGD  
 DRAWN - WJH  
 CHECKED -

REVISED -  
 REVISED -  
 REVISED -  
 REVISED -

**CITY OF AURORA**  
**DOWNER PLACE OVER THE EAST BRANCH**  
**OF THE FOX RIVER**

**CONCRETE RAILING DETAILS**  
**STRUCTURE NO. 045-6005**  
 SHEET NO. SE-12 OF SE-45 SHEETS

F.A. RTE.	SECTION	COUNTY	TOTAL SHEETS	SHEET NO.
	07-00264-00-BR	KANE	164	112
CONTRACT NO. 63620				
[ILLINOIS] FED. AID PROJECT				