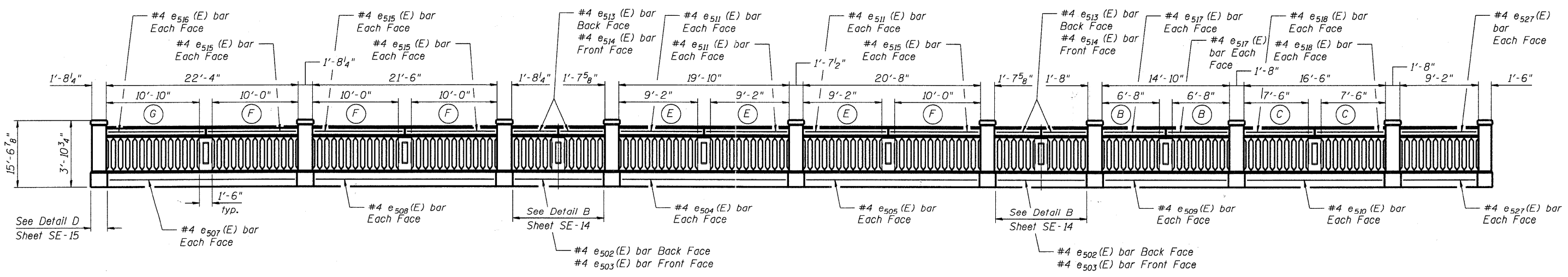


PLAN

TOP RAIL LENGTHS	
A	6'-5 3/4"
B	7'-3 3/4"
C	8'-1 3/4"
D	8'-11 3/4"
E	9'-9 3/4"
F	10'-7 3/4"
G	11'-5 3/4"
H	13'-11 3/4"



SOUTH ELEVATION
(Looking North)

COMPANY NAME: HRGreen
 PROJECT CONTACT: [Name]
 DATE PLOTTED: 7/26/2011 10:06:31 AM
 FILE NAME: 8650412-E-Rail02.dgn
 PLOT DRIVER: pdfplot
 PEN TABLE: Struct 22x34.tbl



USER NAME = whood
 PLOT SCALE = N.T.S.
 PLOT DATE = 7/26/2011

DESIGNED - JPG
 CHECKED - RGD
 DRAWN - WJH
 CHECKED -
 REVISED -
 REVISED -
 REVISED -
 REVISED -

CITY OF AURORA
DOWNER PLACE OVER THE EAST BRANCH
OF THE FOX RIVER

CONCRETE RAILING DETAILS
STRUCTURE NO. 045-6005
 SHEET NO. SE-13 OF SE-45 SHEETS

F.A. RTE.	SECTION	COUNTY	TOTAL SHEETS	SHEET NO.
	07-00264-00-BR	KANE	164	113
CONTRACT NO. 63620				
ILLINOIS FED. AID PROJECT				