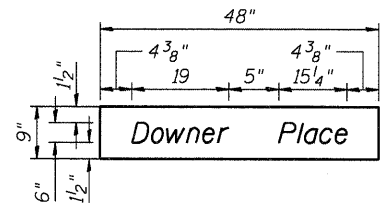


**CONSTRUCTION SEQUENCE**

**LEGEND**

- Sequence 1: Cast-in-Place Concrete
- Sequence 2: Precast Concrete
- Sequence 3: Cast-in-Place Concrete

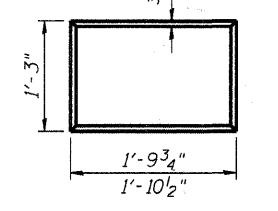
**RAIL POST DETAIL**



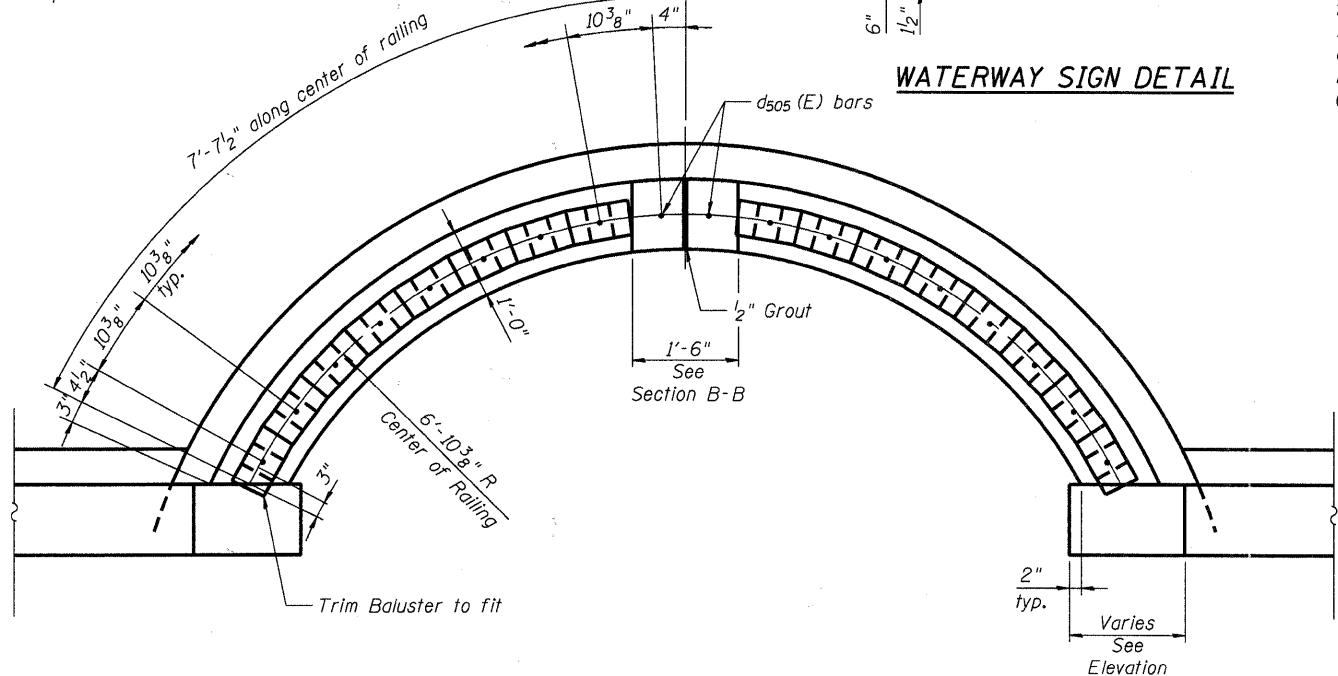
**WATERWAY SIGN**

Sign shall be provided according to Section 720 of the Standard Specifications. Connection to be approved by the Engineer. Cost included in Concrete Bridge Railing (Special)

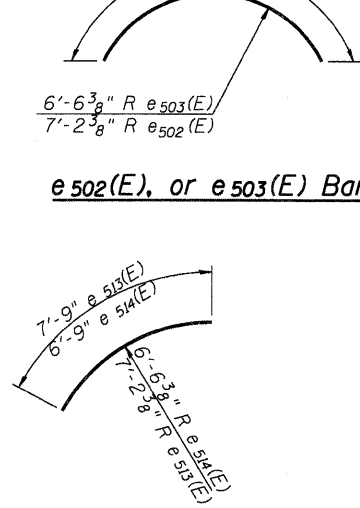
**PRECAST CAP**



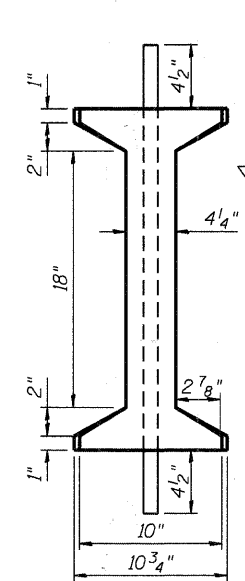
**WATERWAY SIGN DETAIL**



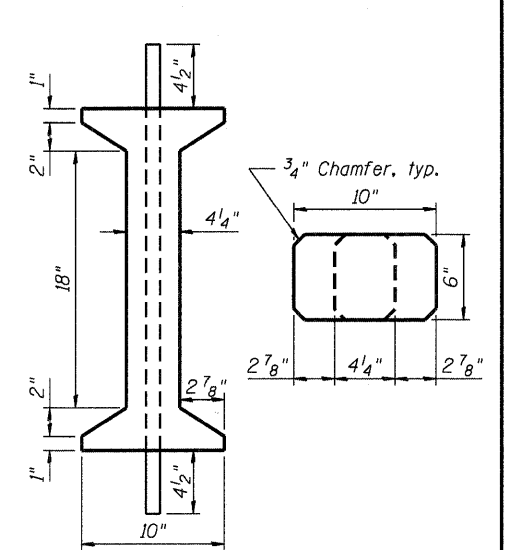
**e502(E), or e503(E) Bars**



**e513(E), or e514(E) Bars**



**TRAPEZOIDAL BALUSTER**



**TYPICAL BALUSTER**

**MINIMUM BAR LAP**

- #4 bar = 2'-1"
- #5 bar = 2'-7"

HRGreen  
 PROJECT CONTACT: Michael G. Harding  
 CITY OF AURORA  
 DATE PLOTTED: 7/26/2011 11:04:36 AM  
 FILE NAME: 86090472-E-Rail03.dgn  
 PLOT DRIVER: pdLpH  
 PLOT TABLE: Struct 22x34.tbl



USER NAME = awhood	DESIGNED - JPG	REVISED -
PLOT SCALE = N.T.S.	CHECKED - RGD	REVISED -
PLOT DATE = 7/26/2011	DRAWN - WJH	REVISED -
	CHECKED -	REVISED -

**CITY OF AURORA**  
**DOWNER PLACE OVER THE EAST BRANCH**  
**OF THE FOX RIVER**

**CONCRETE RAILING DETAILS**  
**STRUCTURE NO. 045-6005**  
 SHEET NO. SE-14 OF SE-45 SHEETS

F.A. RTE.	SECTION	COUNTY	TOTAL SHEETS	SHEET NO.
	07-00264-00-BR	KANE	164	114
CONTRACT NO. 63620			ILLINOIS FED. AID PROJECT	