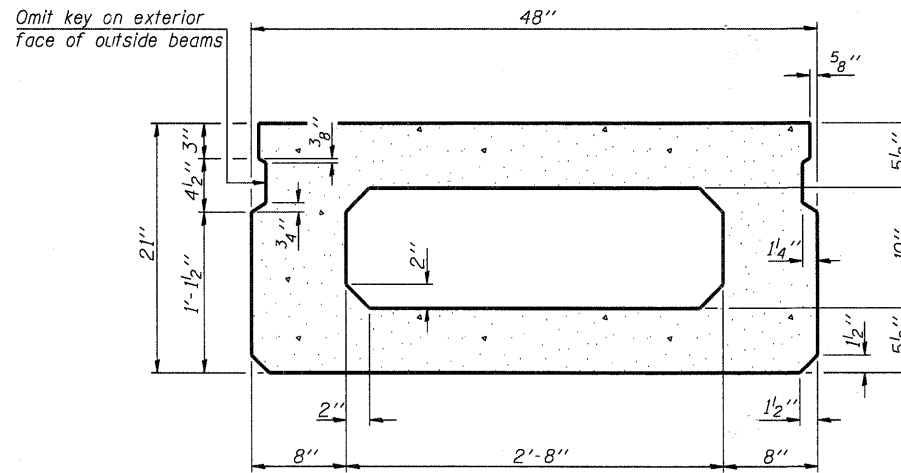
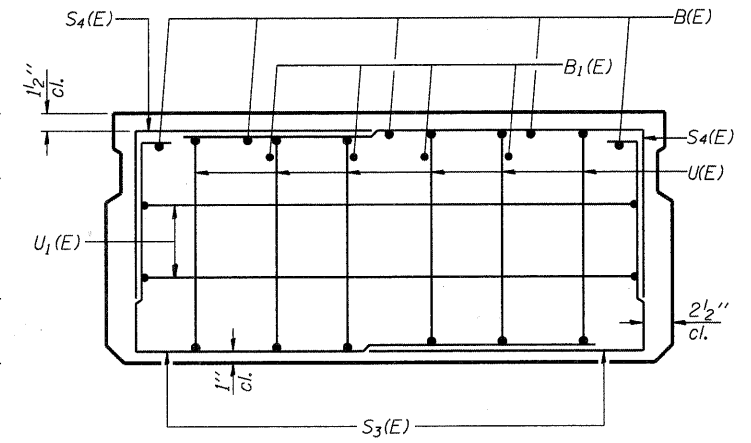


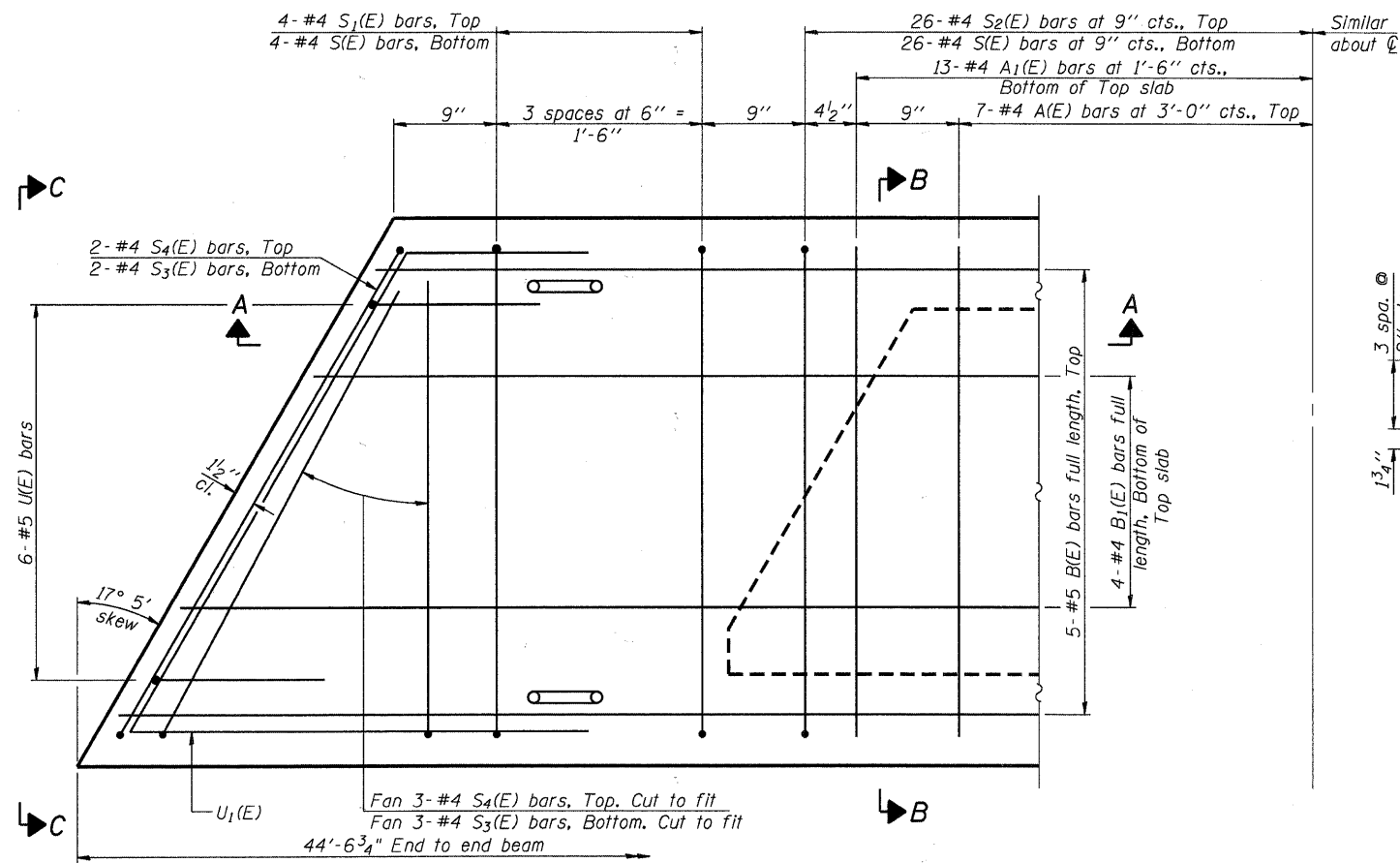
SECTION A-A



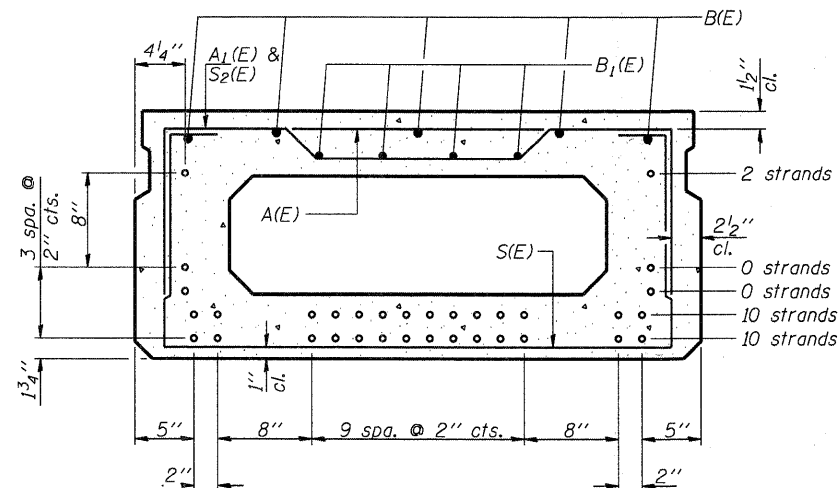
SECTION B-B
(Showing dimensions)



VIEW C-C



PLAN VIEW



SECTION B-B

(Showing reinforcement and permissible strand locations)

Note: Place the number of strands specified in each row symmetrically about the centerline of beam in the permissible strand locations shown.

BAR LIST
ONE BEAM ONLY
(For information only)

Bar	No.	Size	Length	Shape
A(E)	14	#4	3'-7"	—
A1(E)	26	#4	3'-10"	~
B(E)	5	#5	44'-0"	—
B1(E)	4	#4	44'-0"	—
S(E)	60	#4	7'-5"	⌊
S1(E)	8	#4	5'-11"	⌊
S2(E)	52	#4	6'-2"	⌊
S3(E)	5	#4	5'-0"	⌊
S4(E)	5	#4	4'-3"	⌊
U(E)	12	#5	4'-0"	⌊
U1(E)	4	#4	7'-3"	⌊

Note: See next sheet for additional details and Bill of Material.

MINIMUM BAR LAP

#4 bar = 2'-0"
#5 bar = 2'-6"

Note: Spacing of S(E) and S2(E) bars may be adjusted up to 4" in the immediate area of the transverse tie diaphragms to miss the block outs for the transverse ties.

COMPANY NAME: HRGreen
PROJECT CONTACT: Mark G. Harding
CLIENT: City of Aurora
DATE PLOTTED: 7/26/2011 10:04:54 AM
FILE NAME: 86599472-E-Pb01.dgn
PLOT DRIVER: pdf.plt
PEN TABLE: Struct 22x34.tbl

PD-2148-L

7-1-10



USER NAME = whoad	DESIGNED - JPC	REVISED -
PLOT SCALE = N.T.S.	CHECKED - RGD	REVISED -
PLOT DATE = 7/26/2011	DRAWN - WJH	REVISED -
	CHECKED -	REVISED -

CITY OF AURORA
DOWNER PLACE OVER THE EAST BRANCH
OF THE FOX RIVER

21"X48" PPC DECK BEAM
STRUCTURE NO. 045-6005

SHEET NO. SE-16 OF SE-45 SHEETS

F.A. RTE.	SECTION	COUNTY	TOTAL SHEETS	SHEET NO.
	07-00264-00-BR	KANE	164	116
			CONTRACT NO. 63620	
[ILLINOIS] FED. AID PROJECT				