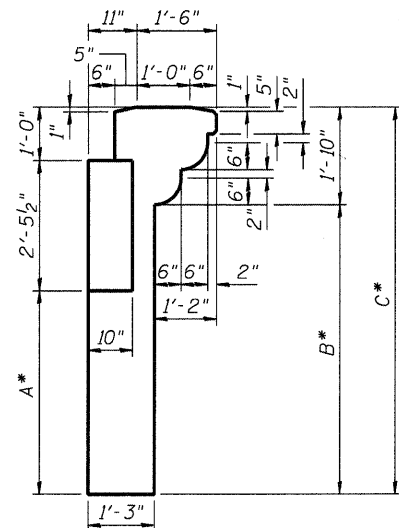
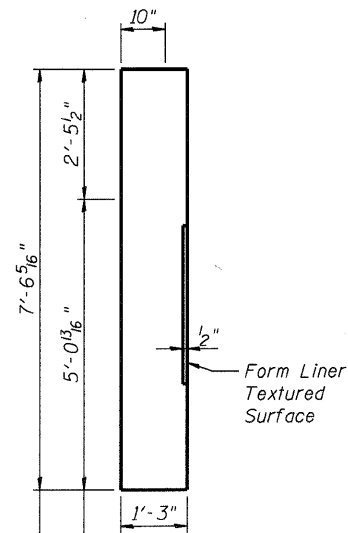


SECTION A-A



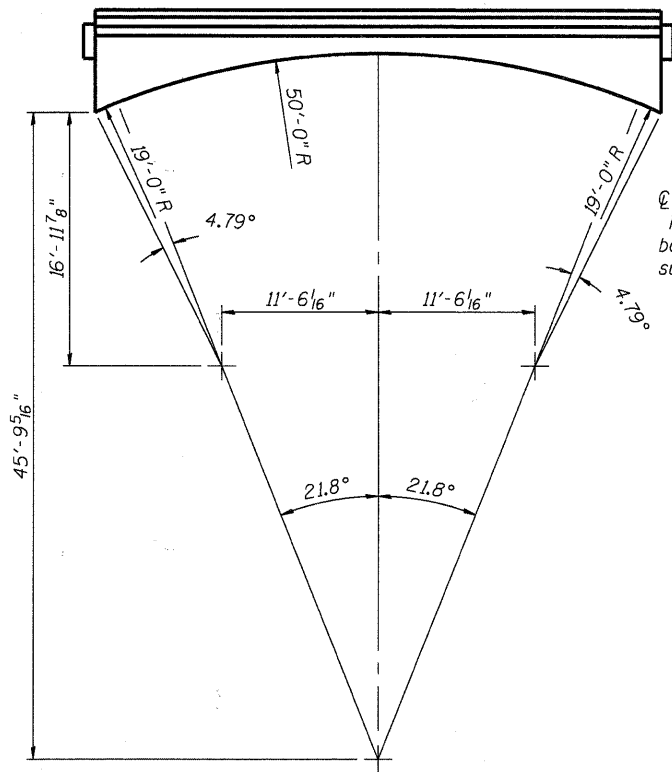
SECTION B-B

*See section dimensions Table on Sht. SE-23.



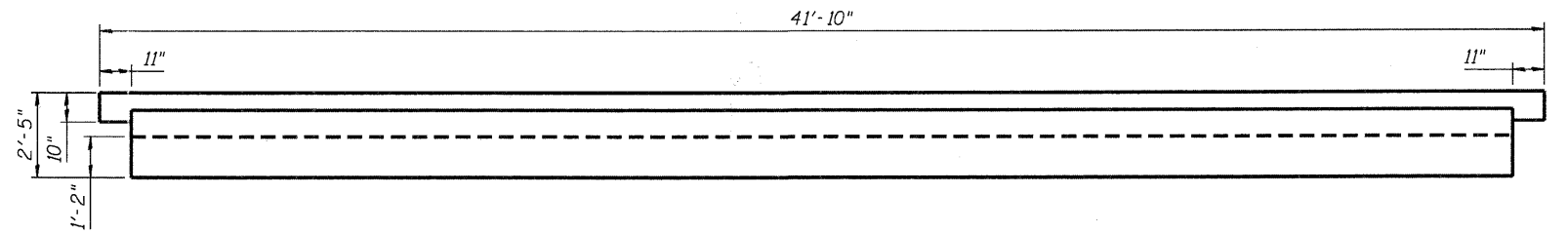
SECTION C-C

At Right End

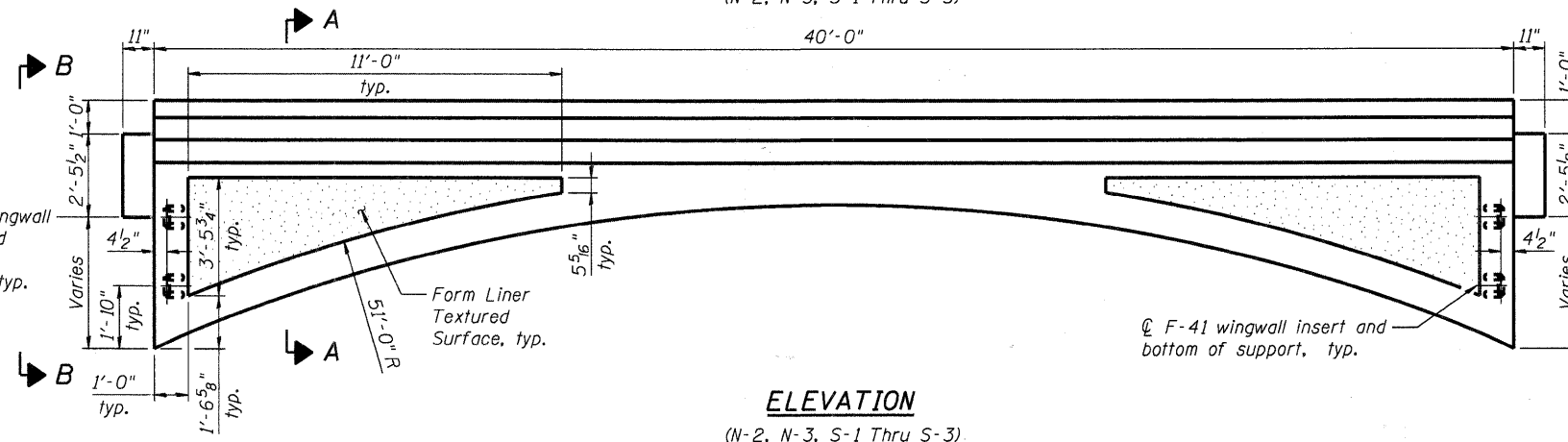


ARCH LAYOUT

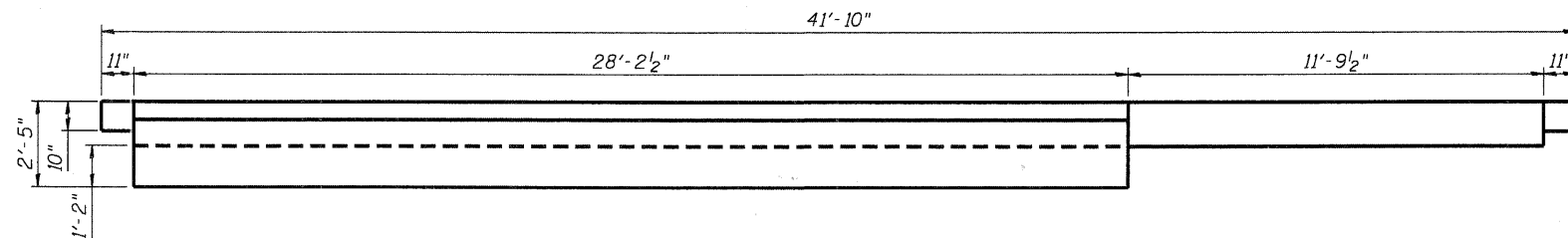
Note:
The Fascia Arch Geometry is only slightly different between the East and West Bridges. Therefore, the Precaster may use the same arch layout for both bridges. The geometry of the Fascia Panels outside of the Center Span is different and requires following the respective layouts.



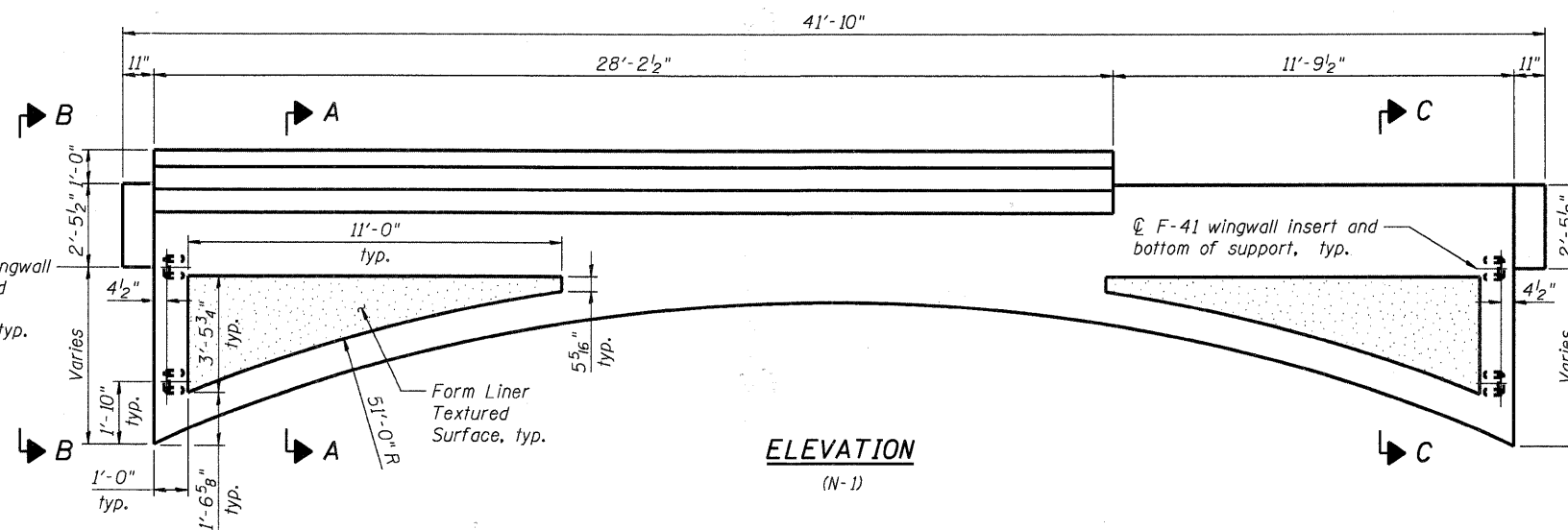
PLAN
(N-2, N-3, S-1 Thru S-3)



ELEVATION
(N-2, N-3, S-1 Thru S-3)



PLAN
(N-1)



ELEVATION
(N-1)

HRGreen
Michael G. Harding
City of Aurora
7/26/2011 11:05:19 AM
66090472-E-Pre02.dgn
pof:ph
Struct 22x34.tbl



USER NAME = whood	DESIGNED - SSM	REVISD -
PLOT SCALE = N.T.S.	CHECKED - RGD	REVISD -
PLOT DATE = 7/26/2011	DRAWN - WJH	REVISD -
	CHECKED -	REVISD -

CITY OF AURORA
DOWNER PLACE OVER THE EAST BRANCH
OF THE FOX RIVER

PRECAST CONCRETE FASCIA PANEL - SPANDREL
STRUCTURE NO. 045-6005

SHEET NO. SE-21 OF SE-45 SHEETS

F.A. RTE.	SECTION	COUNTY	TOTAL SHEETS	SHEET NO.
	07-00264-00-BR	KANE	164	121
				CONTRACT NO. 63620
ILLINOIS FED. AID PROJECT				