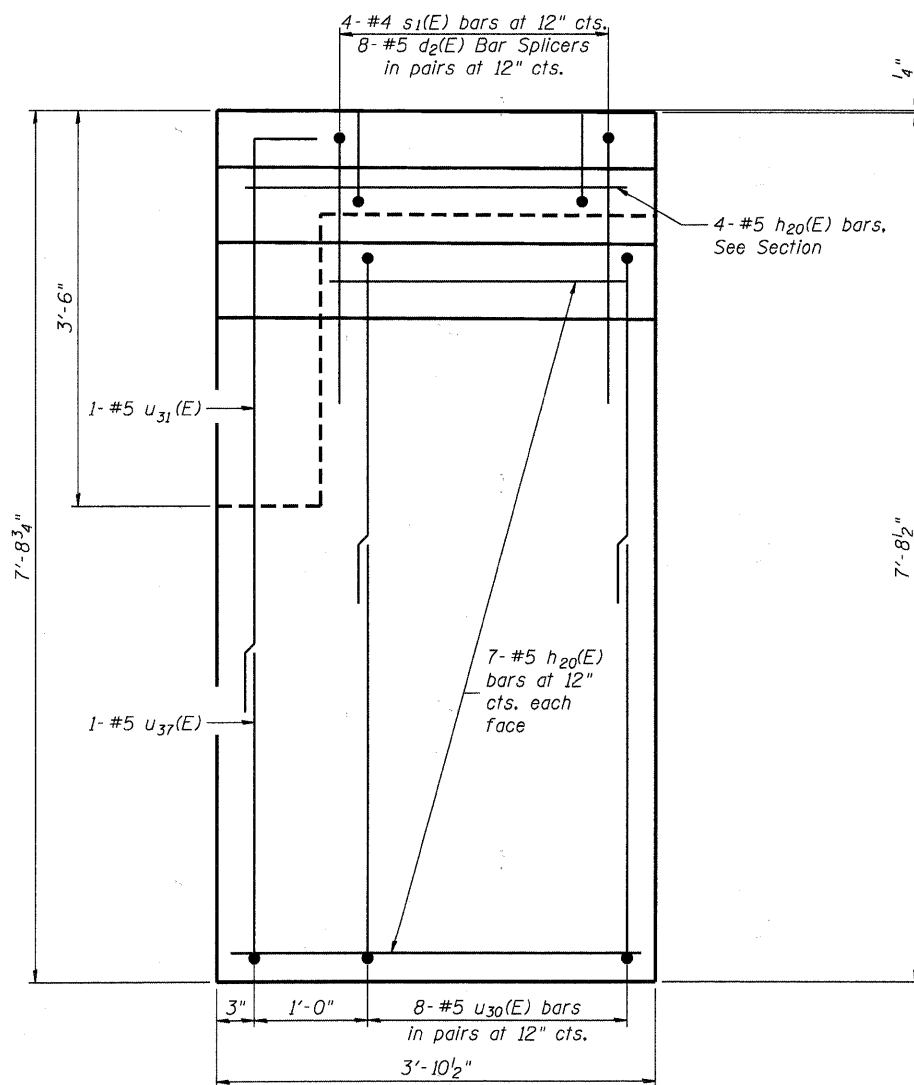
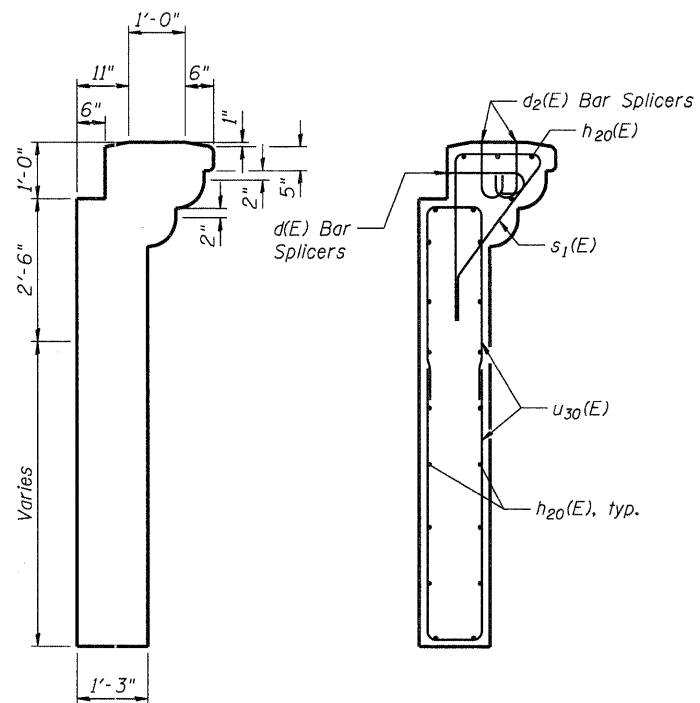


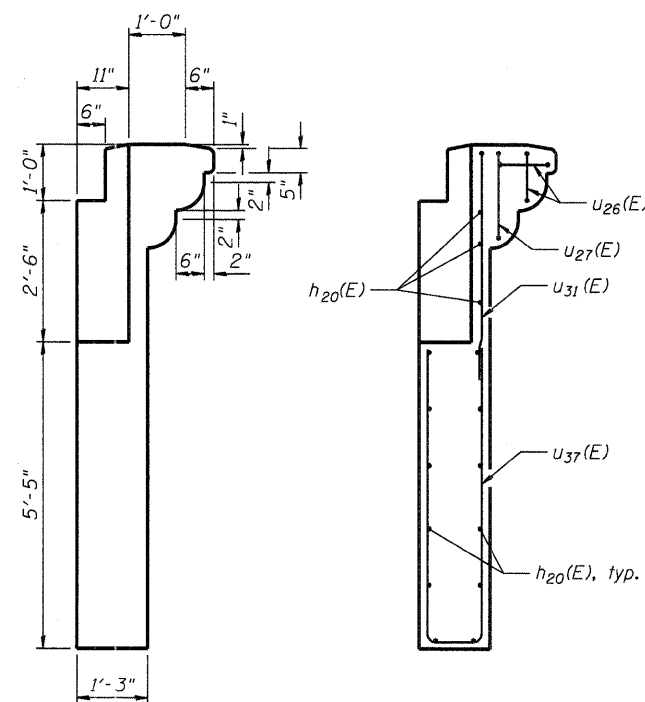
PLAN - SEA



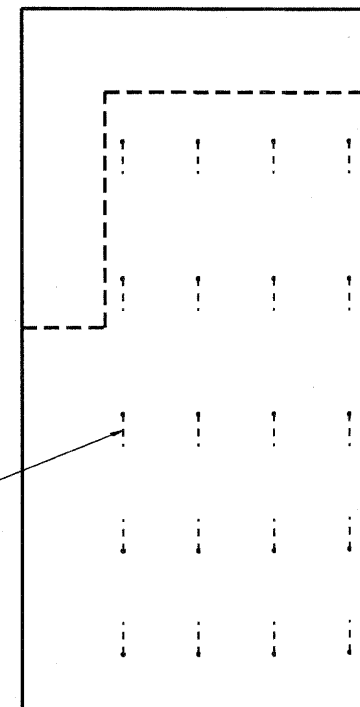
ELEVATION - SEA



SECTION A-A

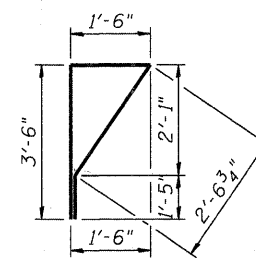


SECTION B-B

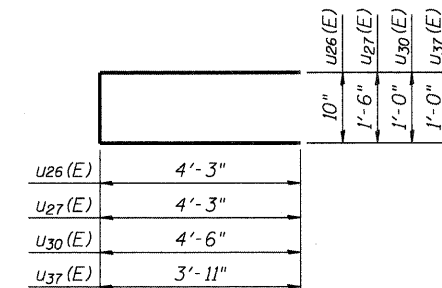


BAR SPLICER LAYOUT

20 Required



BAR S1(E)



BARS U26(E), U27(E), U30(E) AND U37(E)

ABUTMENT PANEL REINFORCEMENT

Bar	No.	Size	Length	Shape
S1(E)	4	#4	9'-0"	
h20(E)	14	#5	3'-6"	
U26(E)	2	#4	9'-4"	
U27(E)	1	#4	10'-0"	
U30(E)	8	#5	10'-0"	
U31(E)	1	#5	7'-9"	
U37(E)	1	#5	8'-10"	

Approximate quantities for one (1) abutment panel.

COMPANY NAME: HRGreen
 PROJECT CONTACT: Michael G. Harding
 CLIENT: City of Aurora
 FILE NAME: 8699472-E-17-07-07.dgn
 PLOT DRIVER: pldrvr
 PEN TABLE: Struct 20x34.tbl



USER NAME = whood
 PLOT SCALE = N.T.S.
 PLOT DATE = 7/26/2011

DESIGNED - SSM
 CHECKED - RGD
 DRAWN - WJH
 CHECKED -

REVISED -
 REVISED -
 REVISED -
 REVISED -

CITY OF AURORA
 DOWNER PLACE OVER THE EAST BRANCH
 OF THE FOX RIVER

PRECAST CONCRETE FASCIA PANEL - ABUTMENT
 STRUCTURE NO. 045-6005

SHEET NO. SE-25 OF SE-45 SHEETS

F.A. RTE.	SECTION	COUNTY	TOTAL SHEETS	SHEET NO.
	07-00264-00-BR	KANE	164	125
CONTRACT NO. 63620				

ILLINOIS FED. AID PROJECT