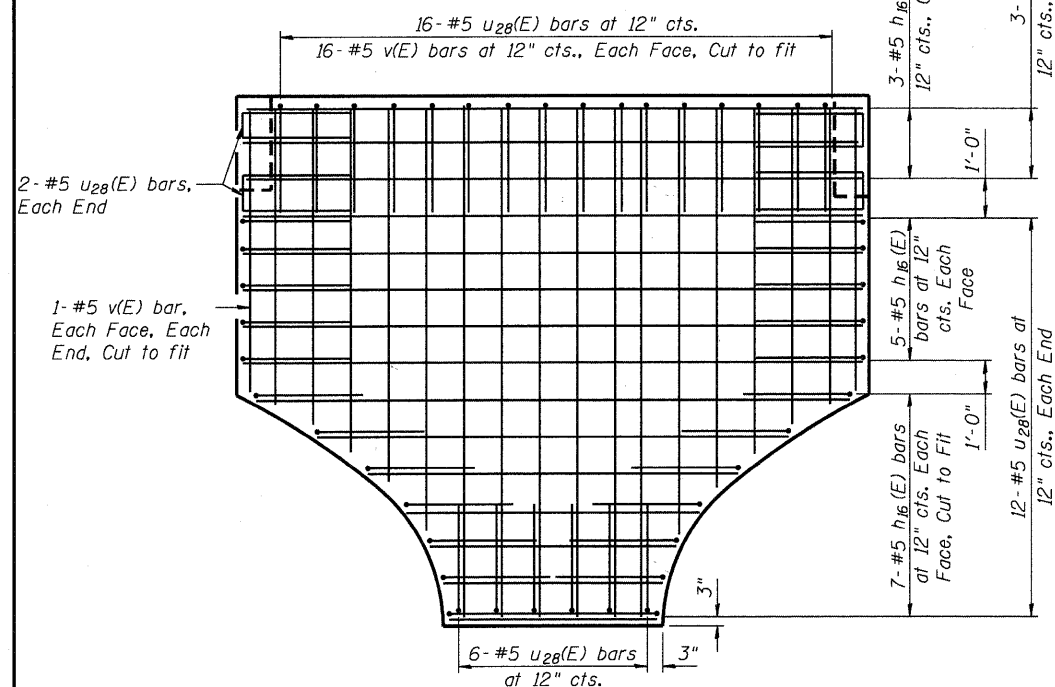
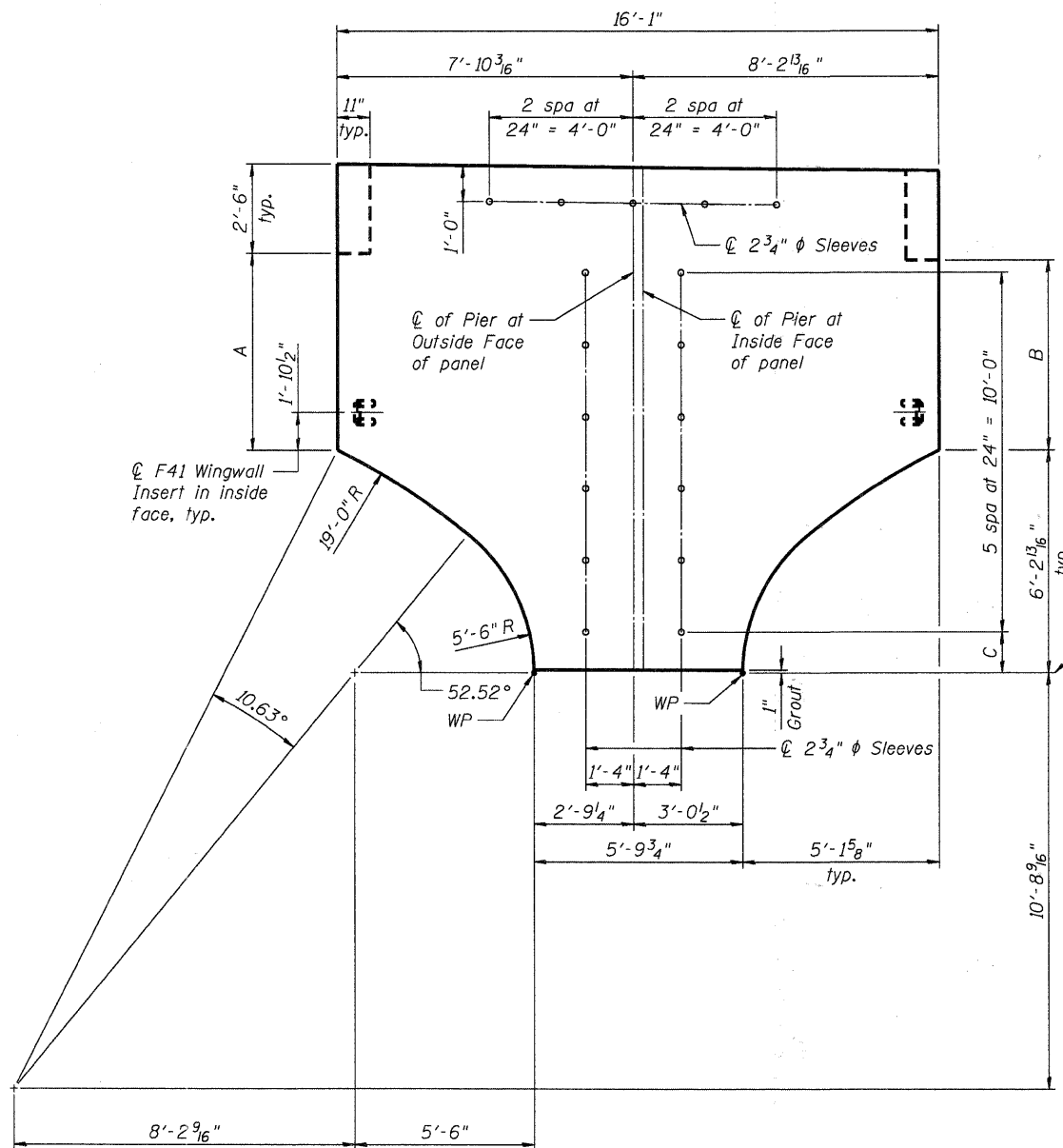


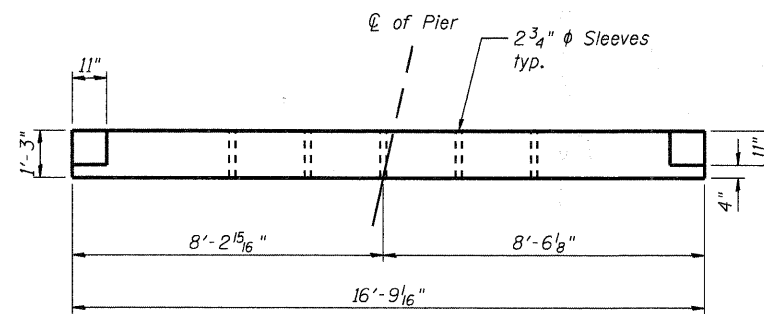
BAR SPLICER LAYOUT
(46 Per Panel)



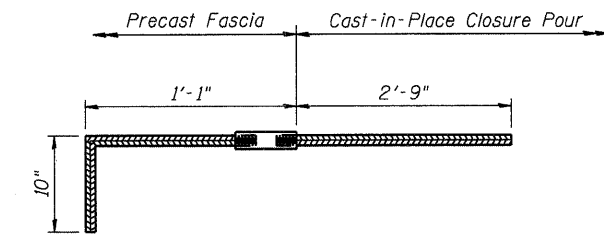
PANEL ELEVATION - REBAR



PANEL ELEVATION



PANEL PLAN



#56 d3 (E) BAR SPLICER ASSEMBLY FOR PRECAST FASCIA

No. required = 184

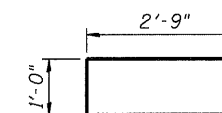
FASCIA PANEL REINFORCEMENT

Bar	No.	Size	Length	Shape
h ₁₆ (E)	120	#5	15'-7"	—
u ₂₈ (E)	136	#5	6'-6"	⊠
v(E)	136	#5	12'-10"	—

Approximate quantities for four (4) Fascia Panels

PANEL DIMENSIONS

	A	B	C
NP-1	4'-8 3/8"	4'-7 7/8"	1'-1"
NP-2	4'-4 3/8"	4'-5 3/4"	9 7/8"
SP-1	4'-5 7/8"	4'-7 5/8"	11 3/4"
SP-2	4'-7 3/8"	4'-6"	11 1/2"



BAR u28(E)

COMPANY NAME: HRGreen
 PROJECT CONTACT: Michael G. Harding
 CLIENT: City of Aurora
 FILE NAME: 045-6005-00-01.dwg
 PLOT DRIVER: parloft
 PEN TABLE: S:\Struct\22334.tbl



USER NAME = whood	DESIGNED - SSM	REVISED -
PLOT SCALE = N.T.S.	CHECKED - RGD	REVISED -
PLOT DATE = 7/26/2011	DRAWN - WJH	REVISED -
	CHECKED -	REVISED -

CITY OF AURORA
 DOWNER PLACE OVER THE EAST BRANCH
 OF THE FOX RIVER

PRECAST CONCRETE FASCIA PANEL - PIER
 STRUCTURE NO. 045-6005

SHEET NO. SE-27 OF SE-45 SHEETS

F.A. RTE.	SECTION	COUNTY	TOTAL SHEETS	SHEET NO.
	07-00264-00-BR	KANE	164	127
			CONTRACT NO. 63620	
ILLINOIS FED. AID PROJECT				