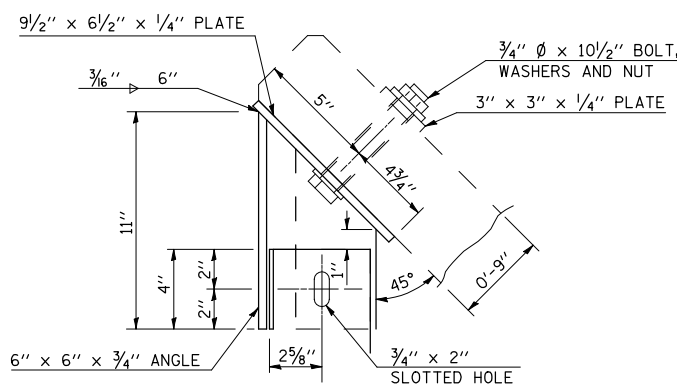
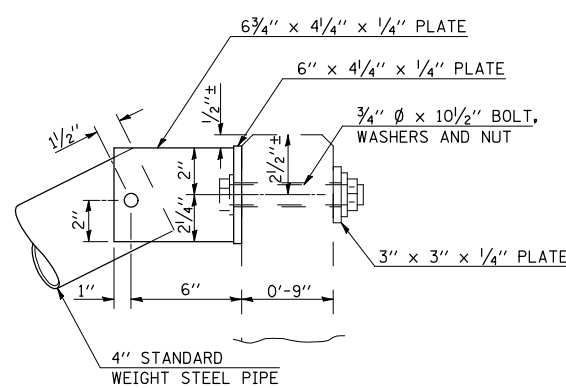


GENERAL NOTES

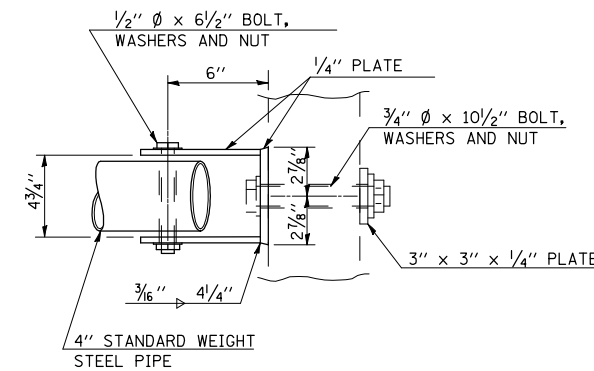
- BOLTS AND NUTS SHALL CONFORM TO A.S.T.M. A 307. ALL BOLTS SHALL HAVE WASHERS AT EACH END. HOLES SHALL BE 1/16" OVERSIZED UNLESS OTHERWISE NOTED EXCEPT IN CONCRETE WHICH SHALL BE 1/8" OVERSIZED.
- ANGLES AND STEEL PLATES SHALL CONFORM TO A.A.S.H.T.O. M 183. STEEL PIPES SHALL CONFORM TO A.S.T.M. A 53, GRADE B OR A.S.T.M. A 501.
- STEEL PIPES, ANGLES AND PLATES SHALL BE HOT DIPPED GALVANIZED CONFORMING TO THE REQUIREMENTS OF A.A.S.H.T.O. M 111.
- BOLTS, NUTS AND WASHERS SHALL BE HOT DIPPED GALVANIZED CONFORMING TO THE REQUIREMENTS OF A.A.S.H.T.O. M 232.
- THE APPROXIMATE WEIGHT OF THE STEEL IS 1083 POUND. THIS TOTAL INCLUDES PLATES, ANGLES AND PIPES. BOLTS, NUTS AND WASHERS ARE NOT INCLUDED.
- ALL DIMENSIONS ARE TO BE VERIFIED IN THE FIELD. CUTTING OF THE STANDARD WEIGHT PIPE AND ANGLES TO THE EXACT LENGTH AND DRILLING HOLES IS TO BE DONE IN THE FIELD.
- THIS WORK WILL BE PAID FOR AT THE CONTRACT UNIT PRICE EACH FOR "GRATING FOR CONCRETE HEADWALL" WHICH PRICE SHALL INCLUDE ALL MATERIAL, LABOR, AND EQUIPMENT TO COMPLETE THE INSTALLATION AS SHOWN.
- REMOVAL OF EXISTING GRATING AND SUPPORT SHALL BE INCLUDED IN THE CONTRACT UNIT PRICE EACH FOR GRATING FOR CONCRETE HEADWALL.



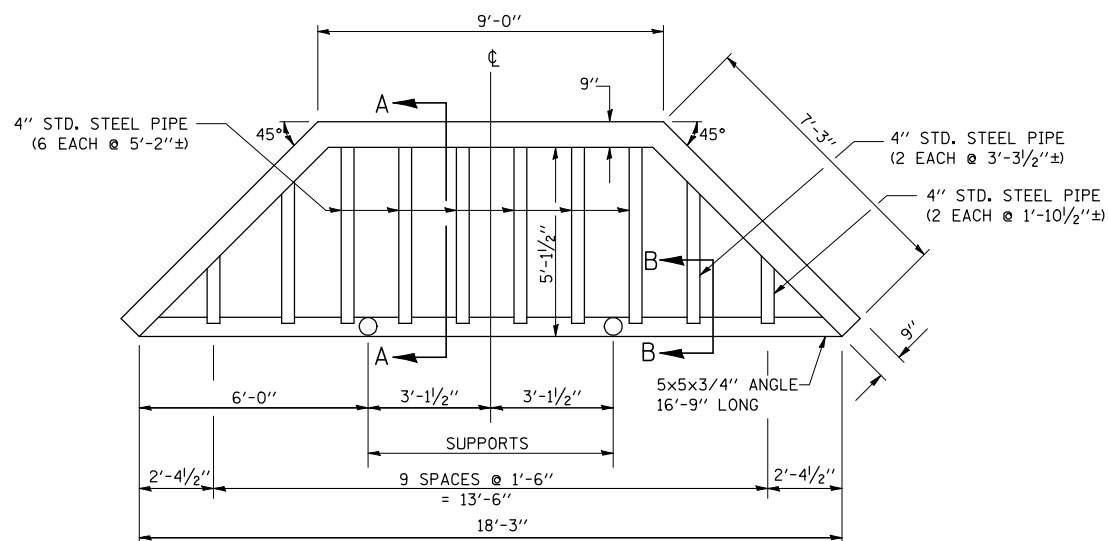
PLAN AT END OF WINGWALL



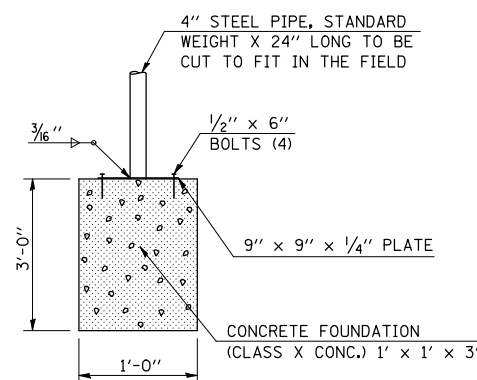
ELEVATION AT HEADWALL



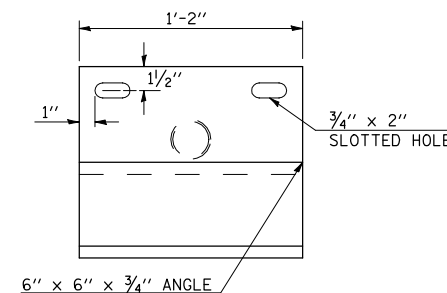
PLAN AT HEADWALL



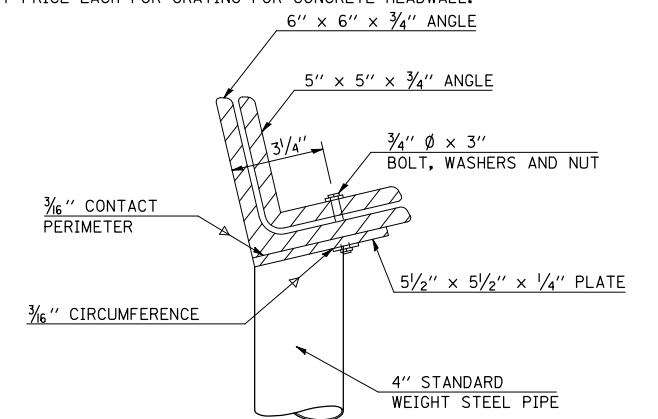
PLAN



SUPPORT FOUNDATION



PLAN VIEW OF SUPPORT



END VIEW OF SUPPORT

GRATING FOR CONCRETE HEADWALL 8'X3'
SN 010-8025 (STA. 825+00.00 RT. (1) REQ'D EAST)

FILE NAME = #FILE#	USER NAME = #USER#	DESIGNED -	REVISED -	STATE OF ILLINOIS DEPARTMENT OF TRANSPORTATION	GRATING FOR CONCRETE HEADWALL			F.A.I. RTE.	SECTION	COUNTY	TOTAL SHEETS	SHEET NO.
	PLOT SCALE = #SCALE#	DRAWN -	REVISED -		57	(10-34, 10-35)RS-2(SB)	CHAMPAIGN	66	47			
	PLOT DATE = #DATE#	CHECKED -	REVISED -		CONTRACT NO. 70923							
		DATE -	REVISED -		ILLINOIS FED. AID PROJECT							
				SCALE:	SHEET NO. 2 OF 2 SHEETS	STA.	TO STA.					