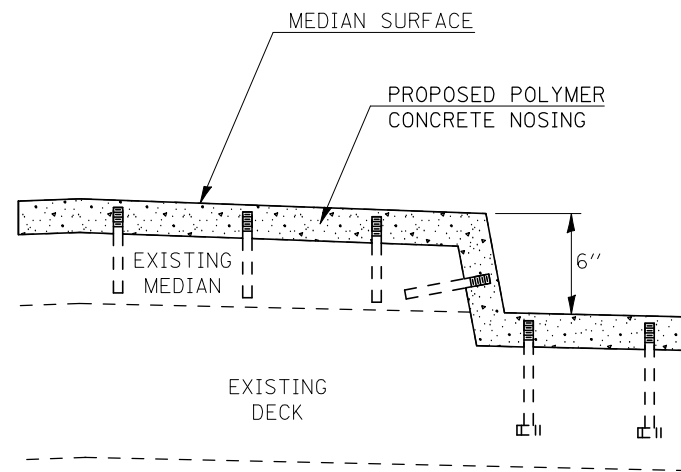


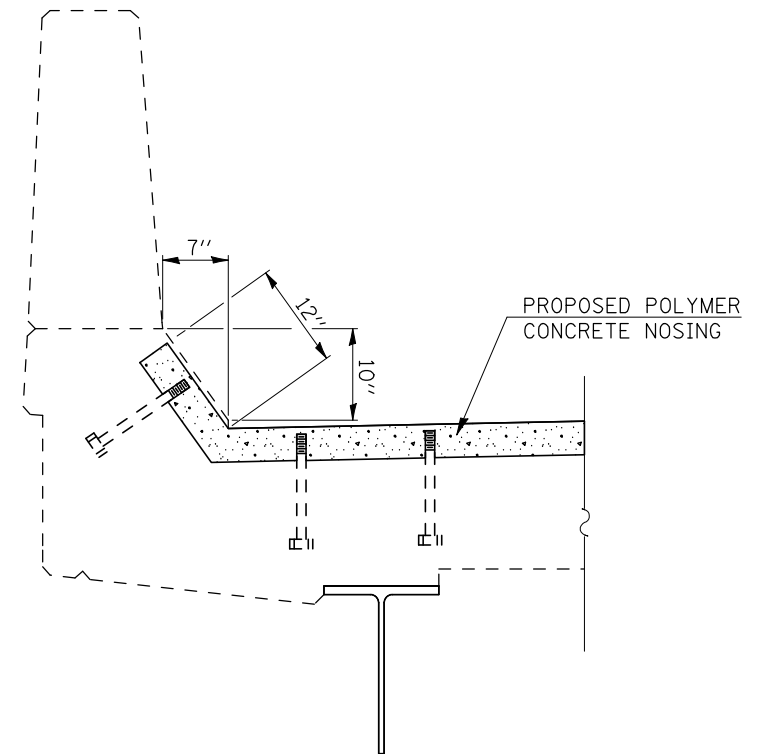
JOINT REPAIR DETAILS

S.N. 010-0254

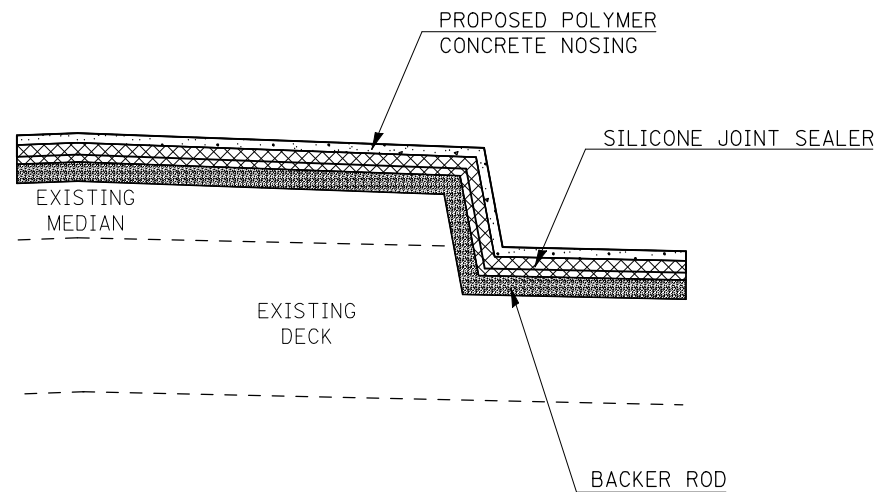
(EAST AND WEST ABUTMENT JOINTS)



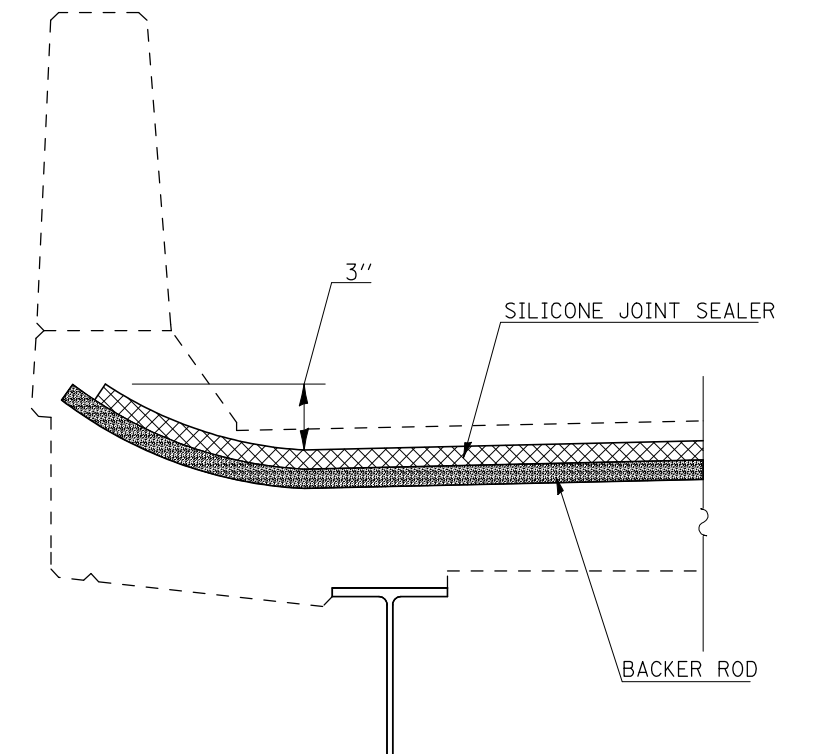
SECTION AT MEDIAN
POLYMER CONCRETE NOSING



SECTION AT PARAPET
POLYMER CONCRETE NOSING



SECTION AT MEDIAN
SILICONE JOINT SEALER



SECTION AT PARAPET
SILICONE JOINT SEALER

| | | | | | | | | | | | | | |
|------------------------|--------------------|-----------------------|-----------|---|---|-------------------------|-----------------|---------|--------|-------------------------|--------------|----|----|
| FILE NAME = *FILEL* | USER NAME = *USER* | DESIGNED - R. CARROLL | REVISED - | STATE OF ILLINOIS DEPARTMENT OF TRANSPORTATION | JOINT REPAIR DETAILS S.N. 010-0254 | | F.A.I. RTE.: | SECTION | COUNTY | TOTAL SHEETS | SHEET NO. | | |
| | | DRAWN - R. CARROLL | REVISED - | | SCALE: | SHEET NO. 2 OF 6 SHEETS | STA. | TO STA. | 57 | (10-34, 10-35/RS-2(SB)) | CHAMPAIGN | 66 | 51 |
| | | PLOT SCALE = *SCALE* | REVISED - | | CONTRACT NO. 70923 | | | | | | | | |
| | | PLOT DATE = *DATE* | REVISED - | | ILLINOIS FED. AID PROJECT | | | | | | | | |