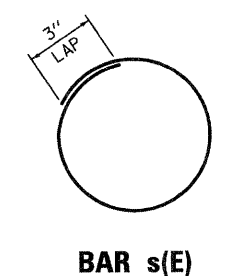
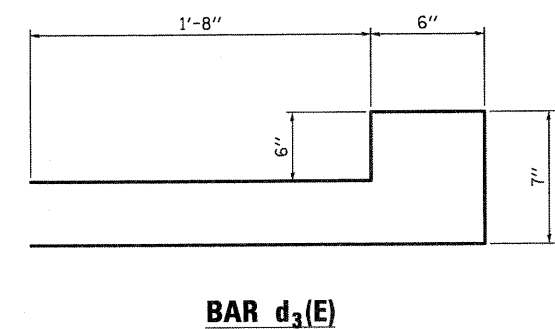
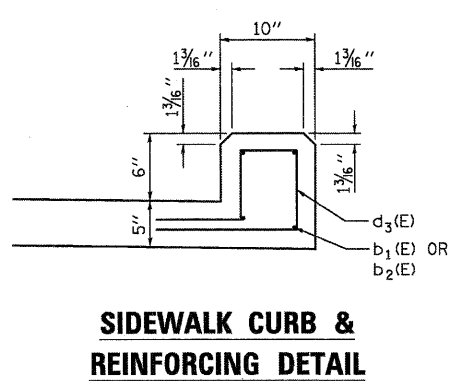
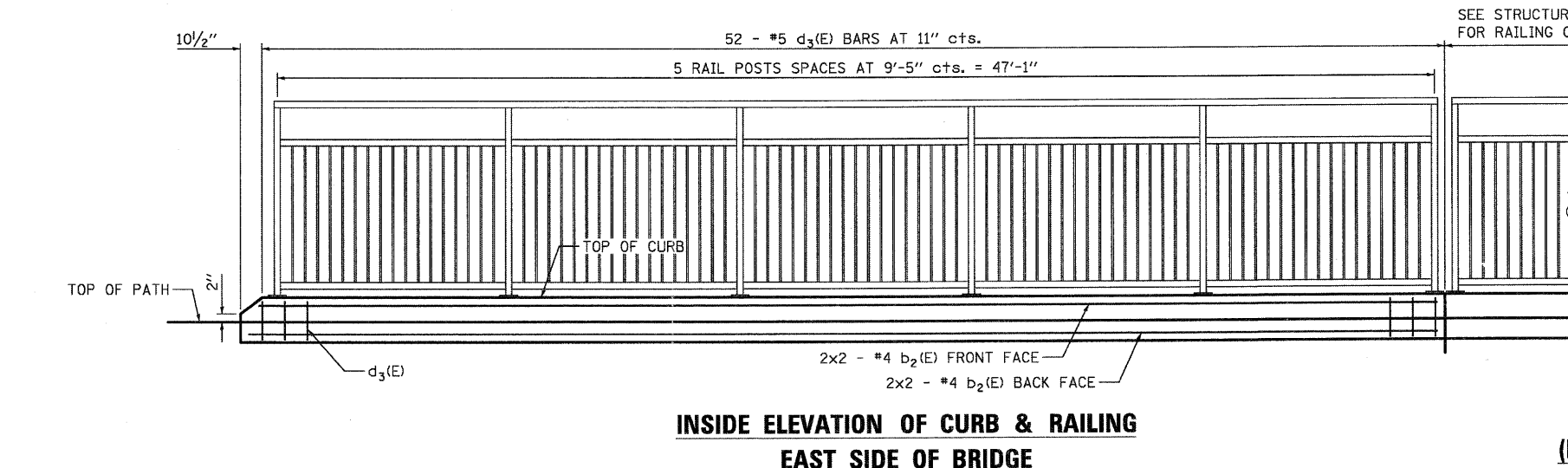
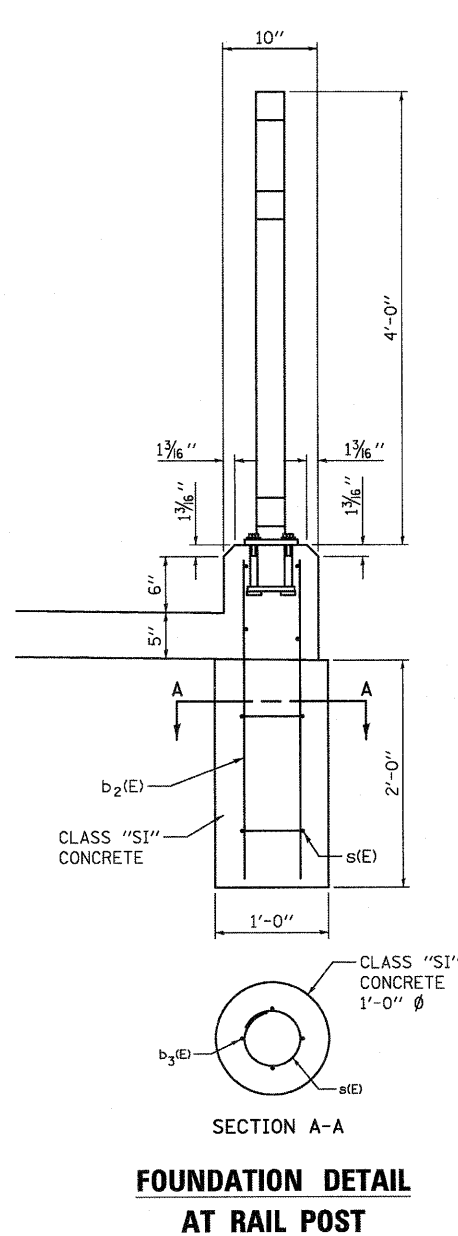
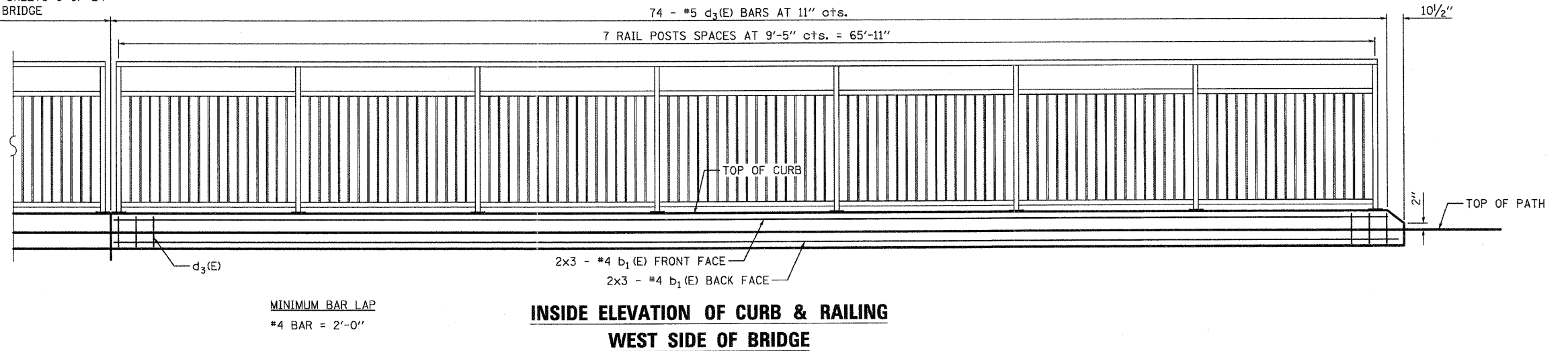


SEE STRUCTURAL SHEETS 9 OF 24 FOR RAILING ON BRIDGE



**PCC SIDEWALK, 5" SPECIAL
BILL OF MATERIALS
(FOR INFORMATIONAL PURPOSE ONLY)**

Bar	No.	Size	Length	Shape
$b_1(E)$	12	#4	23'-5"	—
$b_2(E)$	12	#4	25'-4"	—
$b_3(E)$	56	#4	2'-7"	—
$d_3(E)$	146	#5	5'-5"	⌋
$s(E)$	28	#4	2'-4"	○
			Pound	1,356
Reinforcement Bars, Epoxy Coated			Sq. Ft.	1,284.4
PCC Sidewalk 5" Special			Cu. Yd.	2.16
Concrete Post Foundations			Cu. Yd.	3.6

Bars indicated thus 1 x 2 - #4 etc. indicates 1 line of bars with 2 lengths per line.

FILE NAME = W:\Projects\2010\1002654_Bethany\Lead\CV\11\Drawn\SH\WBK-3.dgn

<p>WILLS BURKE KELSEY ASSOCIATES LTD. 110 West Main Street, Suite 201 St. Charles, Illinois 60174</p>	USER NAME = nparr18	DESIGNED - DPB	REVISED -	STATE OF ILLINOIS DEPARTMENT OF TRANSPORTATION	P.C.C. SIDEWALK, SPECIAL DETAILS II	F.A.U. RTE. 5355	SECTION 04-00167-00-BR	COUNTY DEKALB	TOTAL SHEETS 88	SHEET NO. 28		
	PLOT SCALE =	CHECKED - SBP	REVISED -			SCALE:	SHEET NO. 28 OF 88 SHEETS	STA.	TO STA.	FED. ROAD DIST. NO. 3 ILLINOIS FED. AID PROJECT		
	PLOT DATE = 7/8/2011	DATE - 7/8/11	REVISED -			CONTRACT NO. 87491						