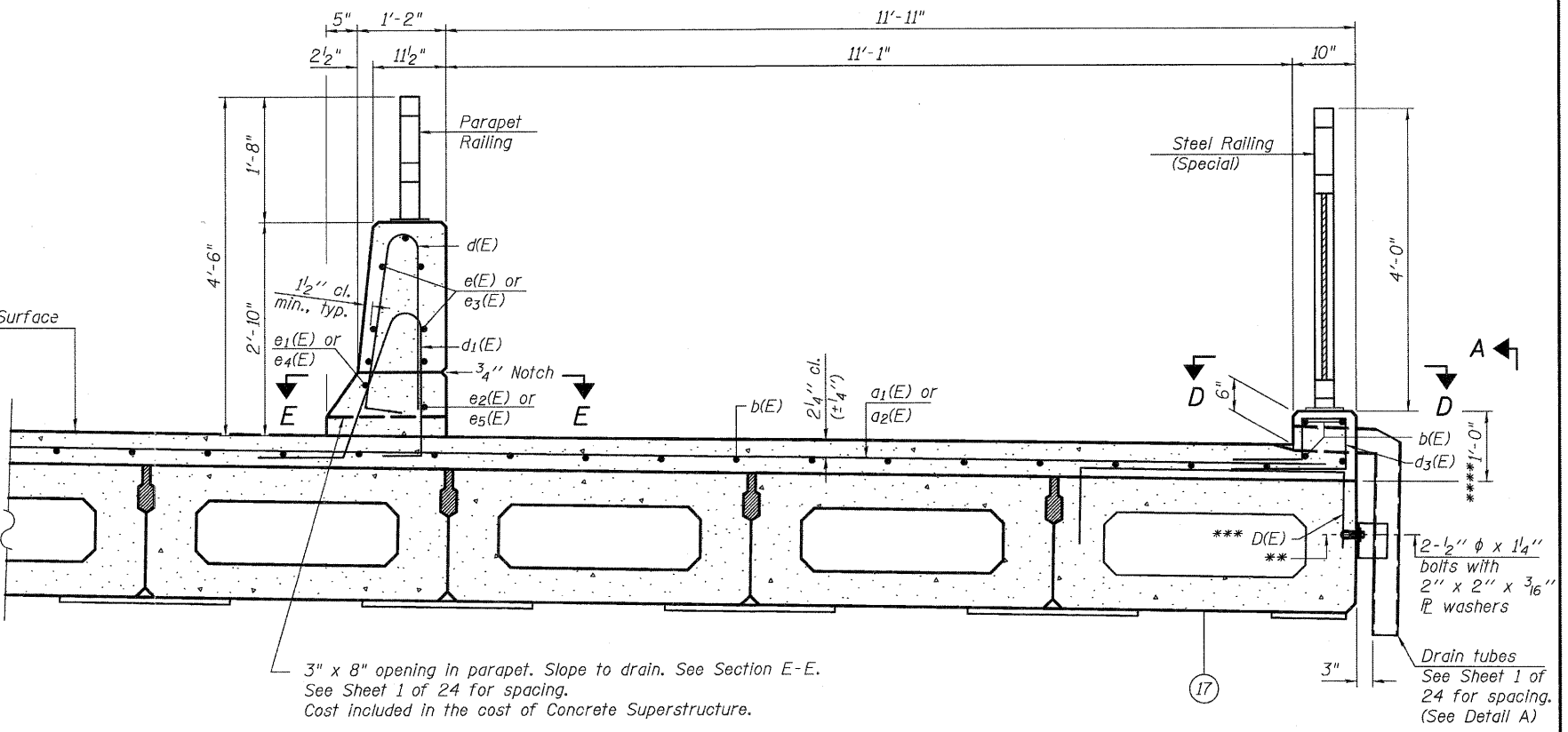


**SECTION THRU NORTH PARAPET**

\*\*  $\odot$  Loop Ferrule Inserts for  $\frac{1}{2}$ "  $\phi$  bolts. Place at  $\odot$  of beam depth.

\*\*\* Place #4 D(E) bars at 9" cts. in fascia beam. D(E) bar included in cost of beam.

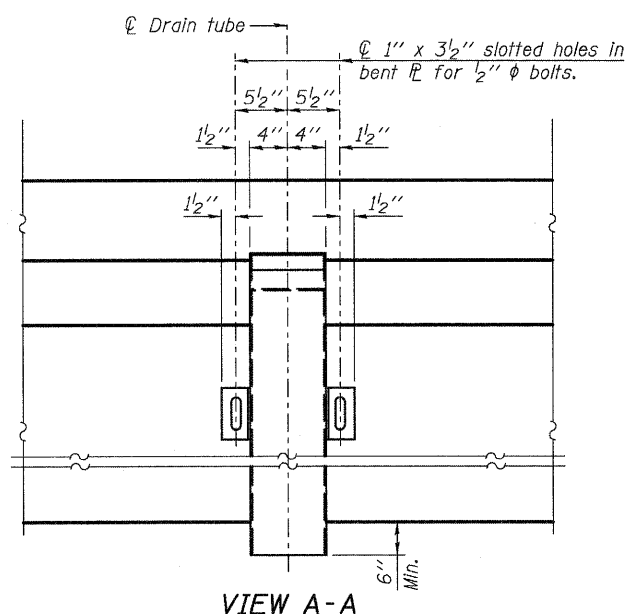


**SECTION THRU SOUTH PARAPET & PATH**

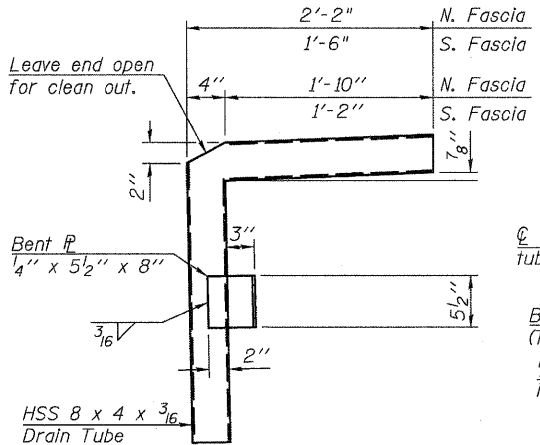
3' x 8' opening in parapet. Slope to drain. See Section E-E. See Sheet 1 of 24 for spacing. Cost included in the cost of Concrete Superstructure.

\*\*\*\* Vertical dimension will vary. The dimension provided is the maximum dimension located at the piers. Due to the camber of the beams this dimension will be reduced by approximately 1" at midspan and  $\frac{1}{2}$ " at the abutments. Adjust reinforcement bars in field accordingly.

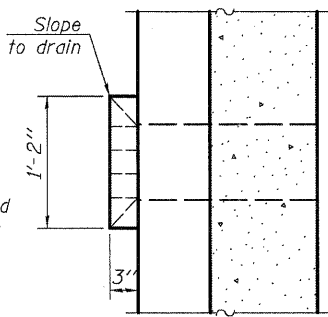
Note:  
All drain tubes and accessories shall be galvanized according to AASHTO M111 or M232, (as applicable).  
The cost of the drain tube assemblies and everything necessary for their installation is included with Concrete Superstructure.  
See sheet 9 of 24 for additional details and Bill of Material.



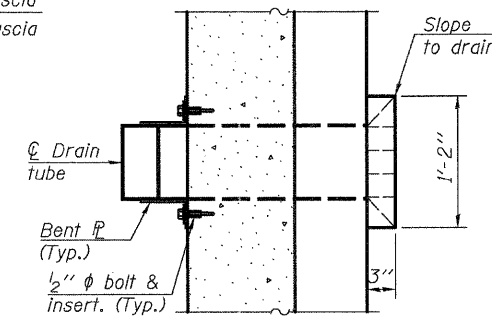
**VIEW A-A**



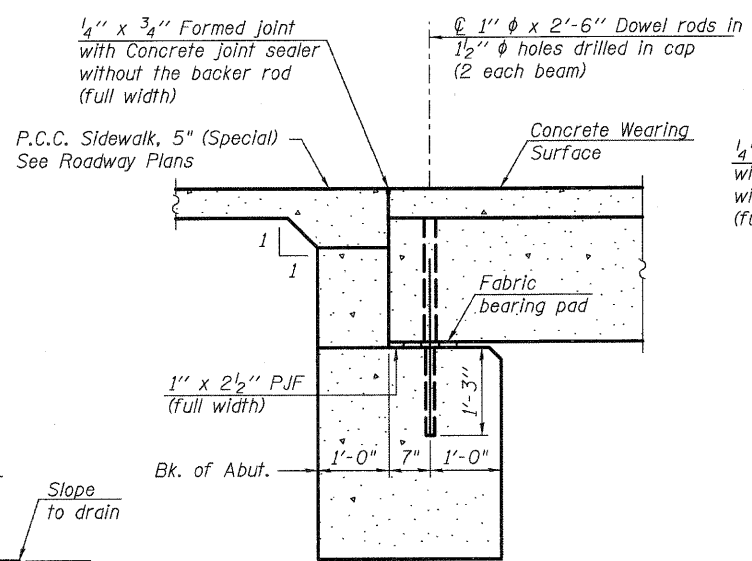
**DETAIL A**



**SECTION E-E**

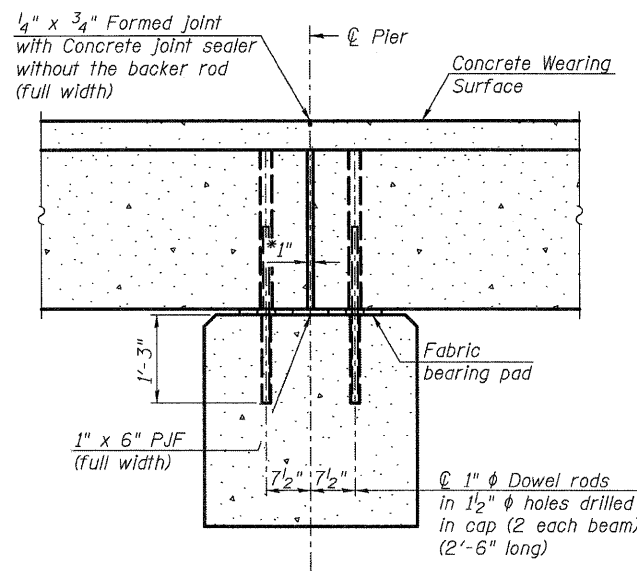


**SECTION D-D**



**SECTION C-C**

Notes:  
All concrete wearing surfaces shall be placed prior to casting a backwall and/or approach slab. See sheet 15 of 24 for fabric bearing pad details.



**SECTION B-B**

\* 1" joint shall be filled with non-shrink grout. 1" dimension may vary to accommodate tolerance in beam length.

FILE NAME = K:\P\Projects\41202\A\090654\_Berthen\p\roads\Structure\Drawn\01516107-87-491-898-Super-D1.dwg

**WILLS BURKE KELSEY ASSOCIATES LTD.**  
119 West Main Street, Suite 201  
St. Charles, Illinois 60114  
(630) 443-7755

|                      |                |           |
|----------------------|----------------|-----------|
| USER NAME = #USER#   | DESIGNED - MLH | REVISED - |
| PLOT SCALE =         | CHECKED - AEU  | REVISED - |
| PLOT DATE = 7/6/2011 | DRAWN - MLH    | REVISED - |
|                      | CHECKED - AEU  | REVISED - |

**STATE OF ILLINOIS  
DEPARTMENT OF TRANSPORTATION**

**SUPERSTRUCTURE DETAILS I  
STRUCTURE NO. 019-6107**  
SHEET NO. 8 OF 24 SHEETS

| F.A.U. RTE.                                   | SECTION        | COUNTY | TOTAL SHEETS | SHEET NO. |
|---|----------------|--------|--------------|-----------|
| 5355  | 04-00167-00-BR | DEKALB | 88           | 54        |
| CONTRACT NO. 87491                            |                |        |              |           |
| FED. ROAD DIST. NO. ILLINOIS FED. AID PROJECT |                |        |              |           |