

Model: Default
 File: \\na1f1-pw\project-pw\benefy.com\PIV\DOT\Documents\DOT Offices\District 1\Projects\115476\CAD\Drawn\Traffic\115476-snt-f-t-2.dgn

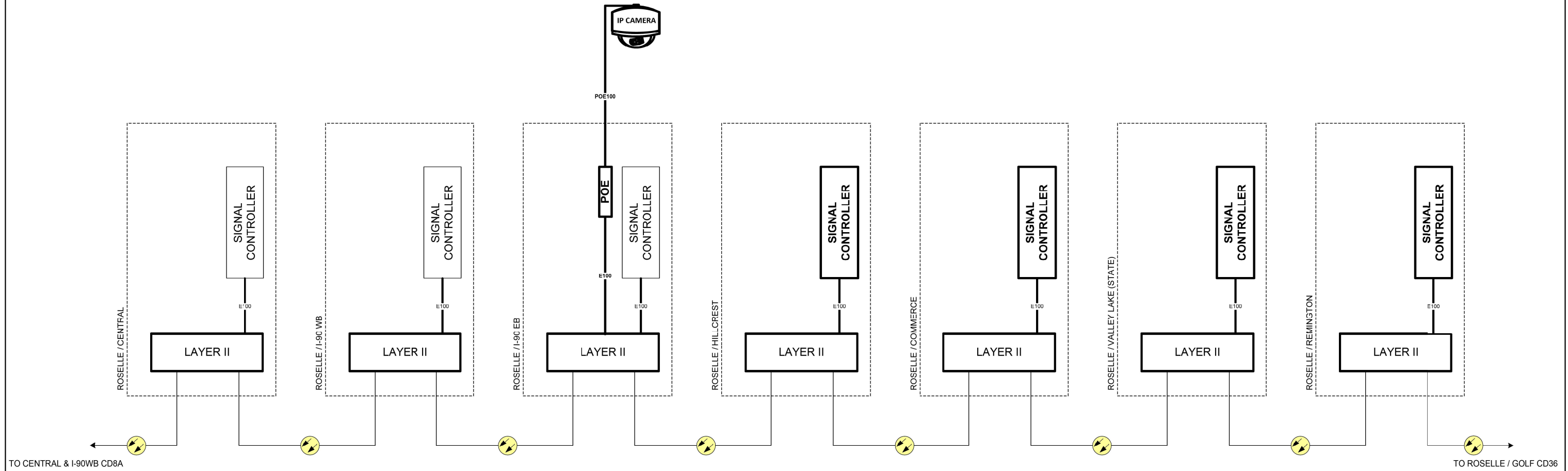
USER NAME = Kamil.Kobylka	DESIGNED - DG	REVISED - KK - 08-12-2022
	DRAWN - DG	REVISED -
PLOT SCALE = 40,0000 * / in.	CHECKED - KK	REVISED -
PLOT DATE = 8/15/2022	DATE - 06/30/2022	REVISED -

**STATE OF ILLINOIS
 DEPARTMENT OF TRANSPORTATION**

CABINET DETAIL IDOT DISTRICT 1 HQ	
SCALE:	SHEET OF SHEETS STA. TO STA.

F.A. RTE.	SECTION	COUNTY	TOTAL SHEETS	SHEET NO.
VAR.	2022 TRAFFIC 01	COOK	241	201
CONTRACT NO. 62R81				
ILLINOIS FED. AID PROJECT				

MODEL: Default
 FILE: \\na16c-pw\build-cw-beadley.com\PIV\DOT\Documents\DOT Office\Dir\dtd - I\Project\115476\CAD\Drawn\Traffic\115476-sht-c-2.dgn



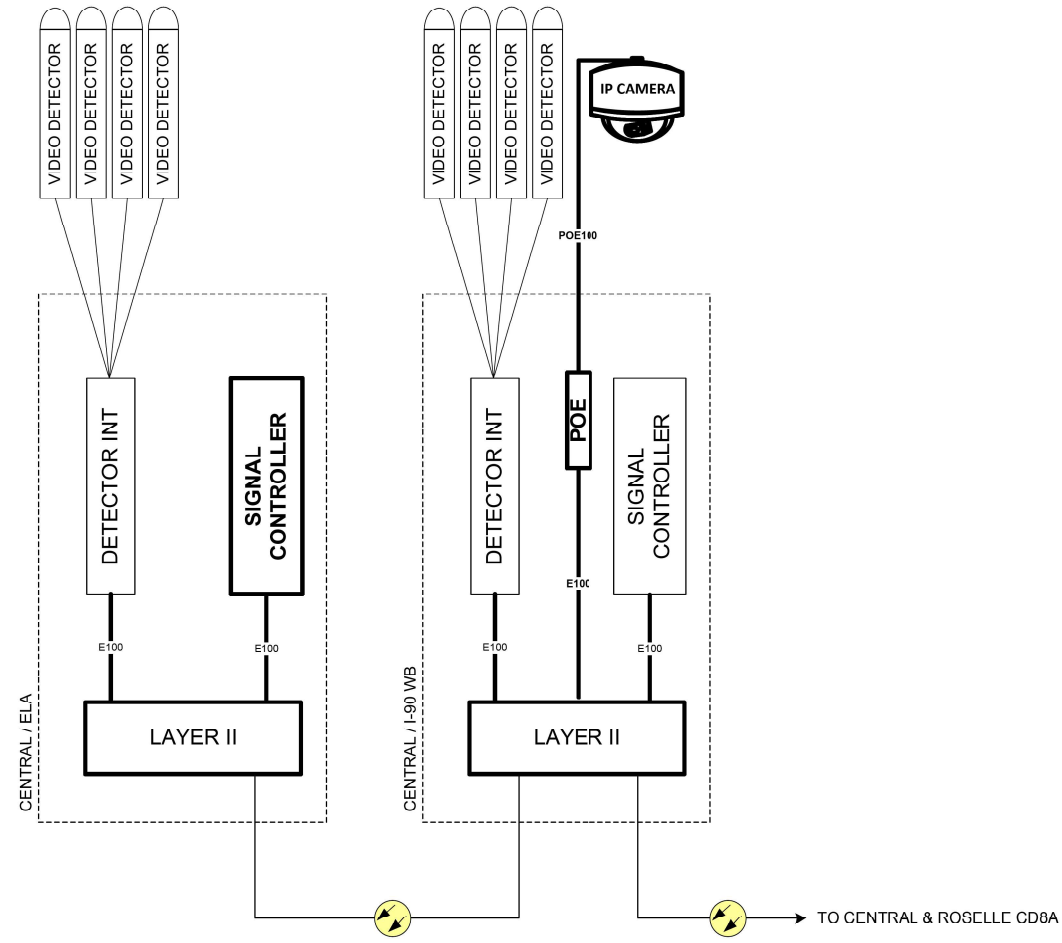
USER NAME = Kamil.Kobylka	DESIGNED - DG	REVISED - KK - 08-12-2022
DRAWN - DG	CHECKED - KK	REVISED -
PLOT SCALE = 40,0000 * / in.	DATE - 06/30/2022	REVISED -
PLOT DATE = 8/15/2022		

**STATE OF ILLINOIS
 DEPARTMENT OF TRANSPORTATION**

**CABINET DETAIL
 ROSELLE RD FROM CENTRAL TO REMINGTON RD**

SCALE: SHEET OF SHEETS STA. TO STA.

F.A. RTE.	SECTION	COUNTY	TOTAL SHEETS	SHEET NO.
VAR.	2022 TRAFFIC 01	COOK	241	202
CONTRACT NO. 62R81				
ILLINOIS FED. AID PROJECT				



MODEL: Default
 FILE NAME: p:\project-cw-beadefy.com\PW\DOT\Documents\DOT Office\Dir\dtdt_1\Project\TI15476(CAD\Draw)\Traffic\TI15476-int-t-2.dgn

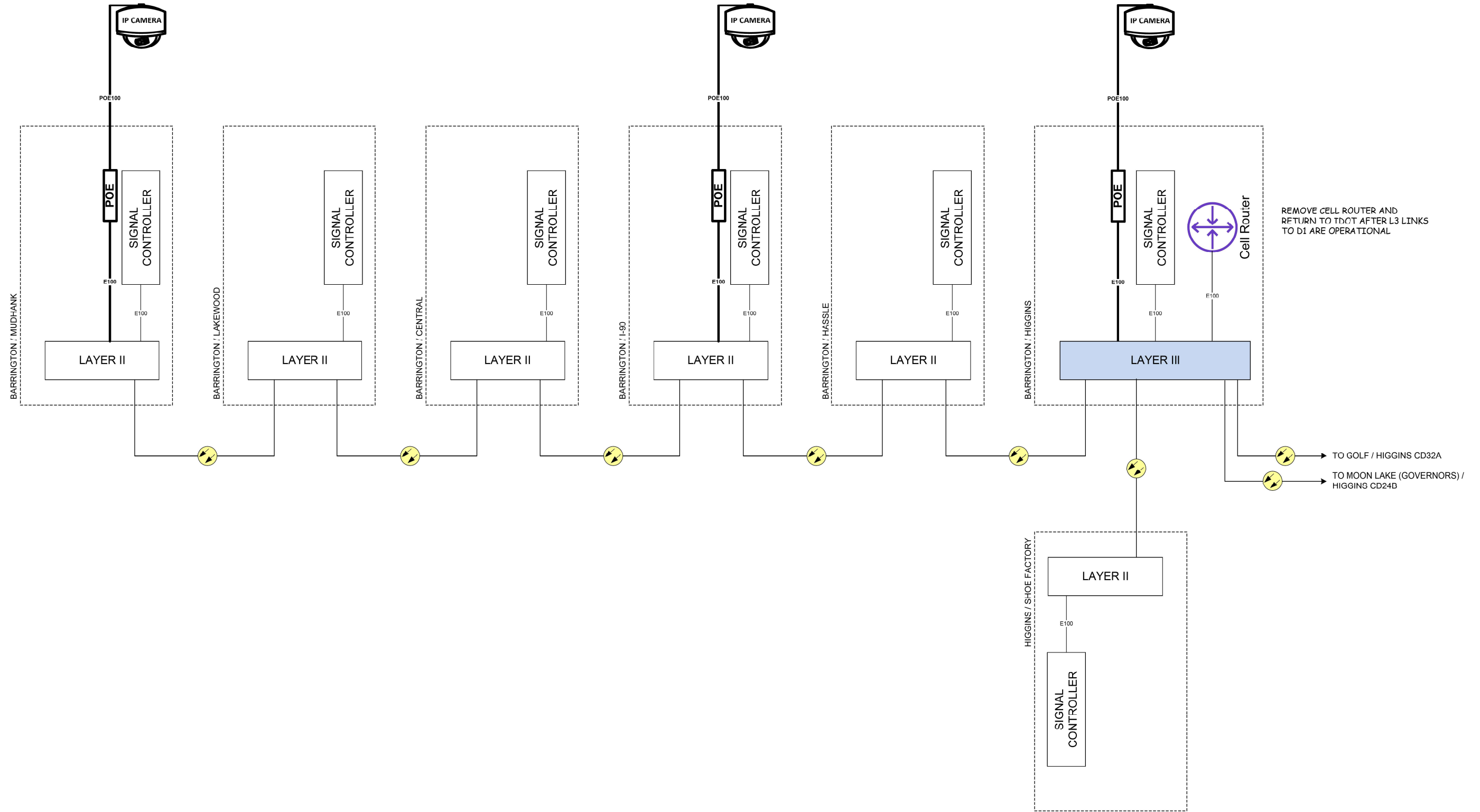
USER NAME = Kamil.Kobylka	DESIGNED - DG	REVISED - KK - 08-12-2022
	DRAWN - DG	REVISED -
PLOT SCALE = 40,0000 * / in.	CHECKED - KK	REVISED -
PLOT DATE = 8/15/2022	DATE - 06/30/2022	REVISED -

**STATE OF ILLINOIS
 DEPARTMENT OF TRANSPORTATION**

**CABINET DETAIL
 CENTRAL RD FROM ELA TO ROSELLE RD**

SCALE: SHEET OF SHEETS STA. TO STA.

F.A. RTE.	SECTION	COUNTY	TOTAL SHEETS	SHEET NO.
VAR.	2022 TRAFFIC 01	COOK	241	203
CONTRACT NO. 62R81				
ILLINOIS FED. AID PROJECT				



MODEL: Default
 FILE NAME: p:\project\paw_bentley.com\p\illdot\documents\illdot_offices\dirtdet_ill\project\115476\CAD\Drawn\Traffic\115476-int-ct-2.dgn

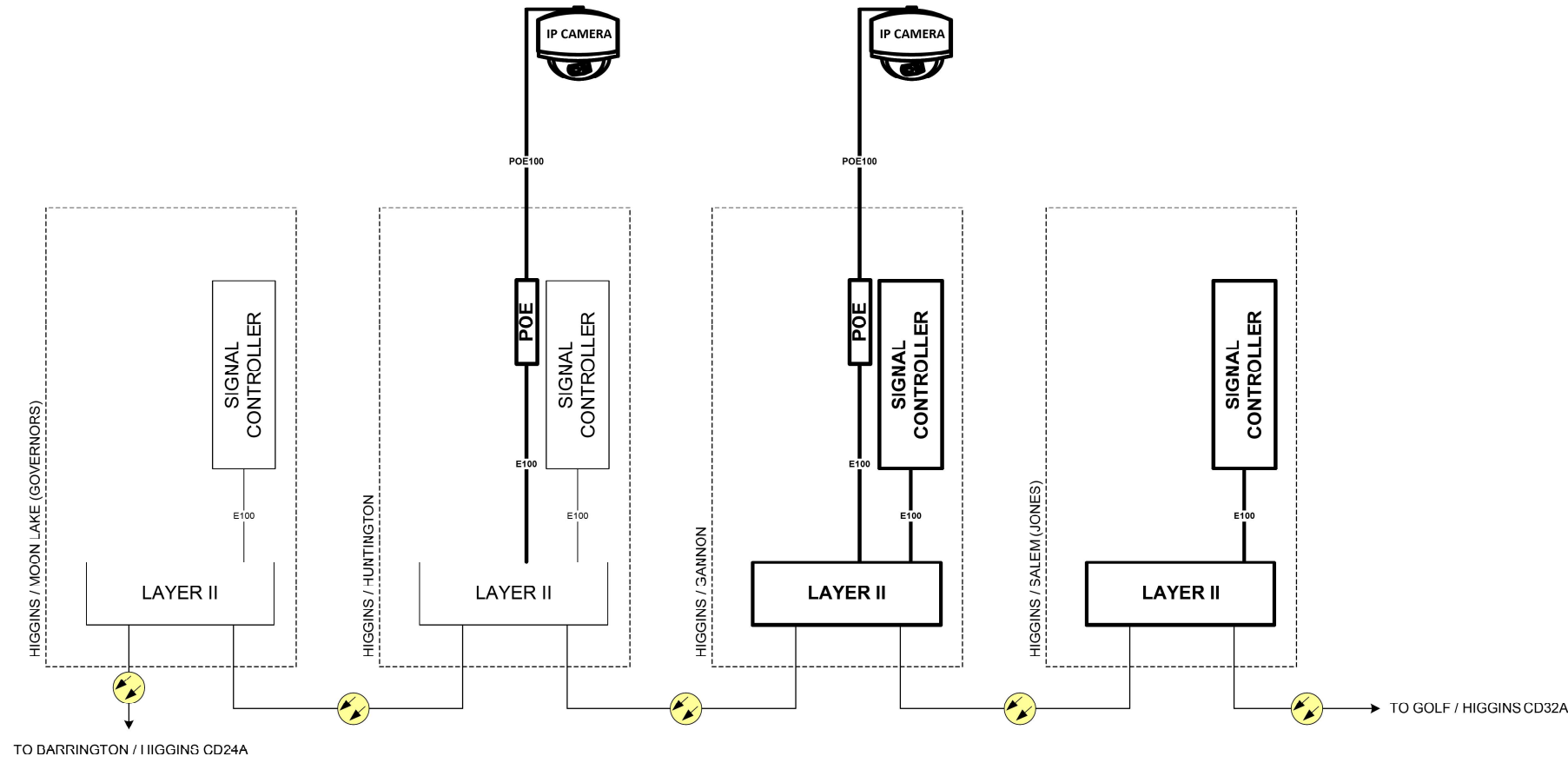
USER NAME = Kamil.Kobylka	DESIGNED - DG	REVISED - KK - 08-12-2022
	DRAWN - DG	REVISED -
PLOT SCALE = 40,0000 * / in.	CHECKED - KK	REVISED -
PLOT DATE = 8/15/2022	DATE - 06/30/2022	REVISED -

**STATE OF ILLINOIS
 DEPARTMENT OF TRANSPORTATION**

**CABINET DETAIL
 BARRINGTON RD FROM MUDHAWK RD TO HIGGINS RD**

SCALE: SHEET OF SHEETS STA. TO STA.

F.A. RTE.	SECTION	COUNTY	TOTAL SHEETS	SHEET NO.
VAR.	2022 TRAFFIC 01	COOK	241	204
CONTRACT NO. 62R81				
ILLINOIS FED. AID PROJECT				



MODEL: Default
 FILE NAME: p:\hdd\paw_bentley.com\P\I\DOT\Documents\DOT Office\Dir\dtdt_1\Project\115476(CAD\Draw)\Traffic\115476-sht-c-2.dgn

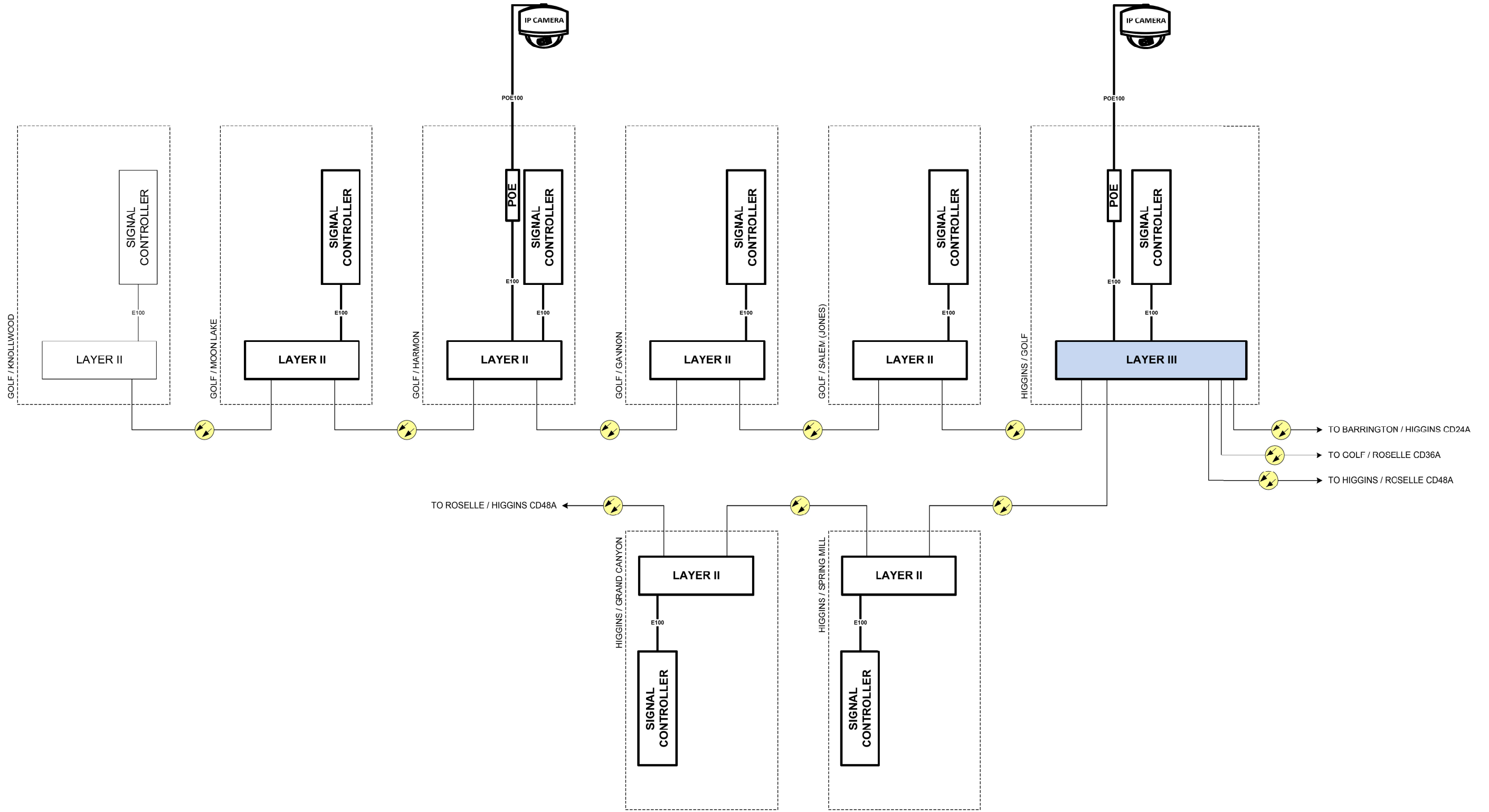
USER NAME = Kamil.Kobylka	DESIGNED - DG	REVISED - KK - 08-12-2022
	DRAWN - DG	REVISED -
PLOT SCALE = 40,0000 * / in.	CHECKED - KK	REVISED -
PLOT DATE = 8/15/2022	DATE - 06/30/2022	REVISED -

**STATE OF ILLINOIS
 DEPARTMENT OF TRANSPORTATION**

**CABINET DETAIL
 HIGGINS RD FROM BARRINGTON RD TO SALEM DR**

SCALE:	SHEET	OF	SHEETS	STA.	TO STA.
--------	-------	----	--------	------	---------

F.A. RTE.	SECTION	COUNTY	TOTAL SHEETS	SHEET NO.
VAR.	2022 TRAFFIC 01	COOK	241	205
CONTRACT NO. 62R81				
ILLINOIS FED. AID PROJECT				



MODEL: Default
 FILE NAME: p:\project-cw-beadley.com\PIV\DOT\Documents\DOT Office\Dir\dtdt_1\Project\115476\CAD\Drawn\Traffic\115476-sch-c48-2.dgn

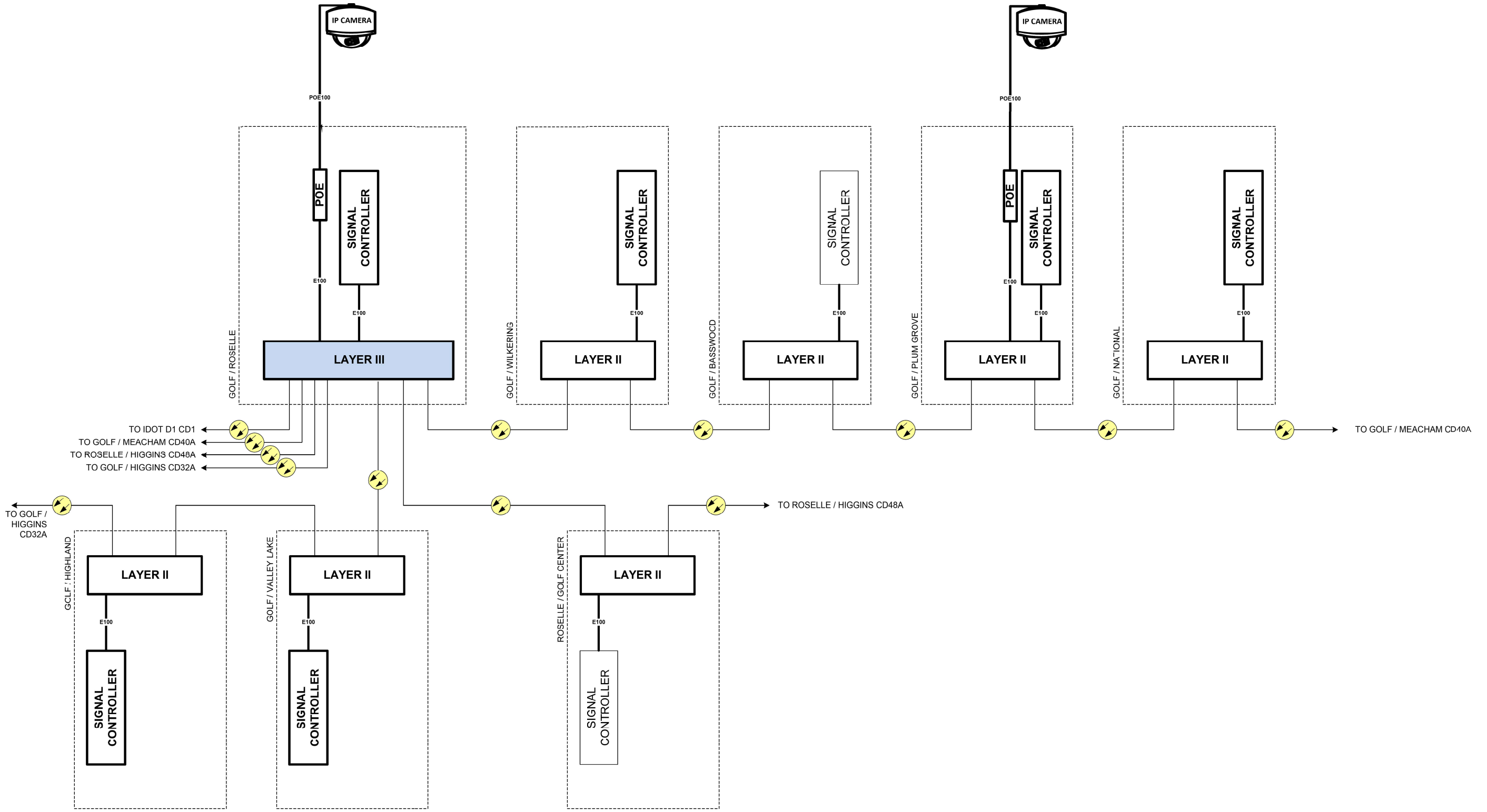
USER NAME = Kamil.Kobylka	DESIGNED - DG	REVISED - KK - 08-12-2022
DRAWN - DG	CHECKED - KK	REVISED -
PLOT SCALE = 40,0000 * / in.	DATE - 06/30/2022	REVISED -
PLOT DATE = 8/15/2022		

**STATE OF ILLINOIS
 DEPARTMENT OF TRANSPORTATION**

CABINET DETAIL			
GOLF RD FROM MOON LAKE TO HIGGINS RD			
SCALE:	SHEET	OF SHEETS	STA. TO STA.

F.A. RTE.	SECTION	COUNTY	TOTAL SHEETS	SHEET NO.
VAR.	2022 TRAFFIC 01	COOK	241	206
CONTRACT NO. 62R81				
ILLINOIS FED. AID PROJECT				

MODEL: Default
 FILE NAME: p:\project-pw-beadefy.com\PI\IDOT\Documents\IDOT Office\Dir\rdet_1\Project\115476\CAD\Drawn\Traffic\115476-schematic-2.dgn

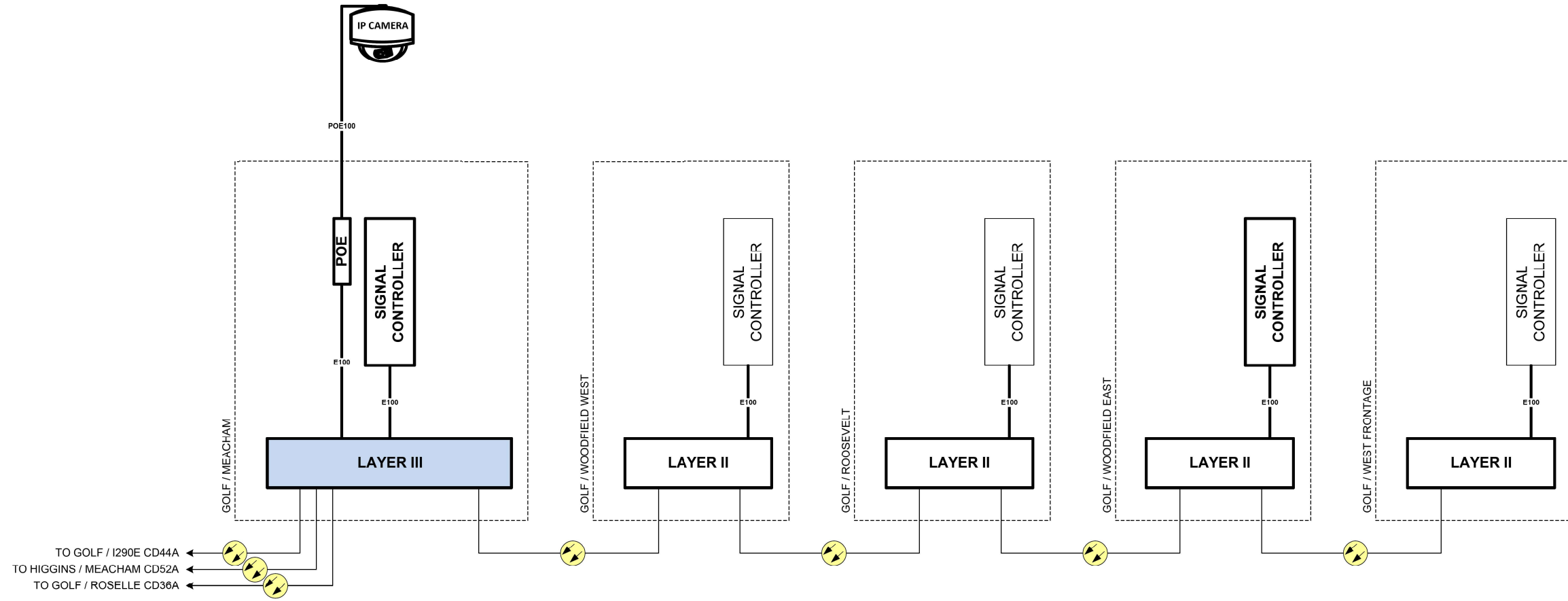


USER NAME = Kamil.Kobylka	DESIGNED - DG	REVISED - KK - 08-12-2022
PLOT SCALE = 40,0000 * / in.	CHECKED - KK	REVISED -
PLOT DATE = 8/15/2022	DATE - 06/30/2022	REVISED -

**STATE OF ILLINOIS
 DEPARTMENT OF TRANSPORTATION**

CABINET DETAIL			
GOLF RD FROM HIGGINS TO NATIONAL PKWY			
SCALE:	SHEET	OF SHEETS	STA. TO STA.

F.A. RTE.	SECTION	COUNTY	TOTAL SHEETS	SHEET NO.
VAR.	2022 TRAFFIC 01	COOK	241	207
CONTRACT NO. 62R81				
ILLINOIS FED. AID PROJECT				



MODEL: Default
 FILE NAME: p:\project-cw-beadefy.com\FW\DOT\Documents\DOT Office\Dir\dtd - \Project\115476\CAD\Drawn\Traffic\115476-sht-1-2.dgn

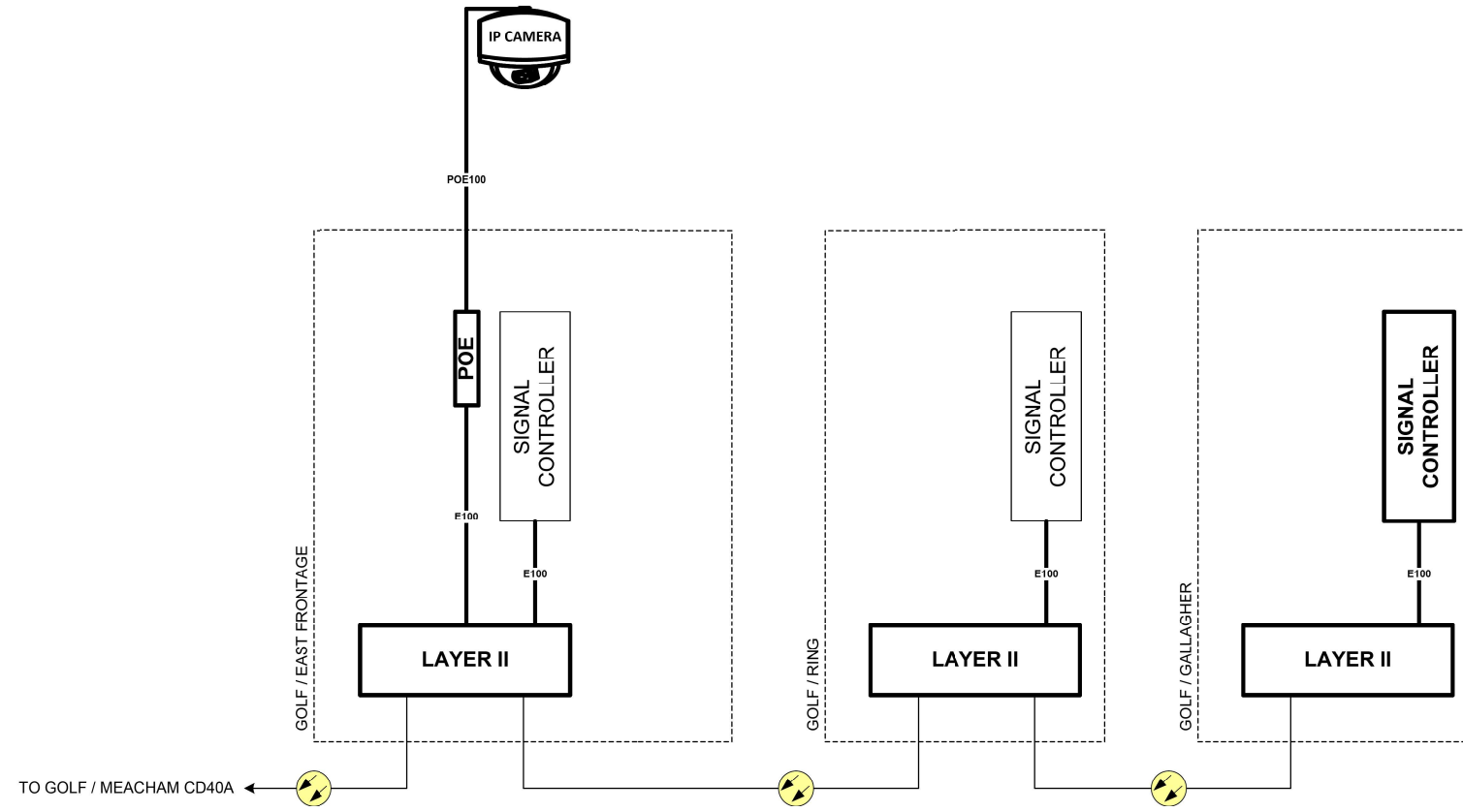
USER NAME = Kamil.Kobylka	DESIGNED - DG	REVISED - KK - 08-12-2022
	DRAWN - DG	REVISED -
PLOT SCALE = 40,0000 * / in.	CHECKED - KK	REVISED -
PLOT DATE = 8/15/2022	DATE - 06/30/2022	REVISED -

**STATE OF ILLINOIS
 DEPARTMENT OF TRANSPORTATION**

**CABINET DETAIL
 GOLF RD FROM MEACHEM RD TO WEST FRONTAGE RD**

SCALE: SHEET OF SHEETS STA. TO STA.

F.A. RTE.	SECTION	COUNTY	TOTAL SHEETS	SHEET NO.
VAR.	2022 TRAFFIC 01	COOK	241	208
CONTRACT NO. 62R81				
ILLINOIS FED. AID PROJECT				



MODEL: Default
 FILE NAME: p:\project-cw-beadley.com\PIV\DOT\Documents\DOT Office\Dir\dtdt - I\Project\T15476\CAD\Drawn\Traffic\T15476-s-int-1-2.dgn

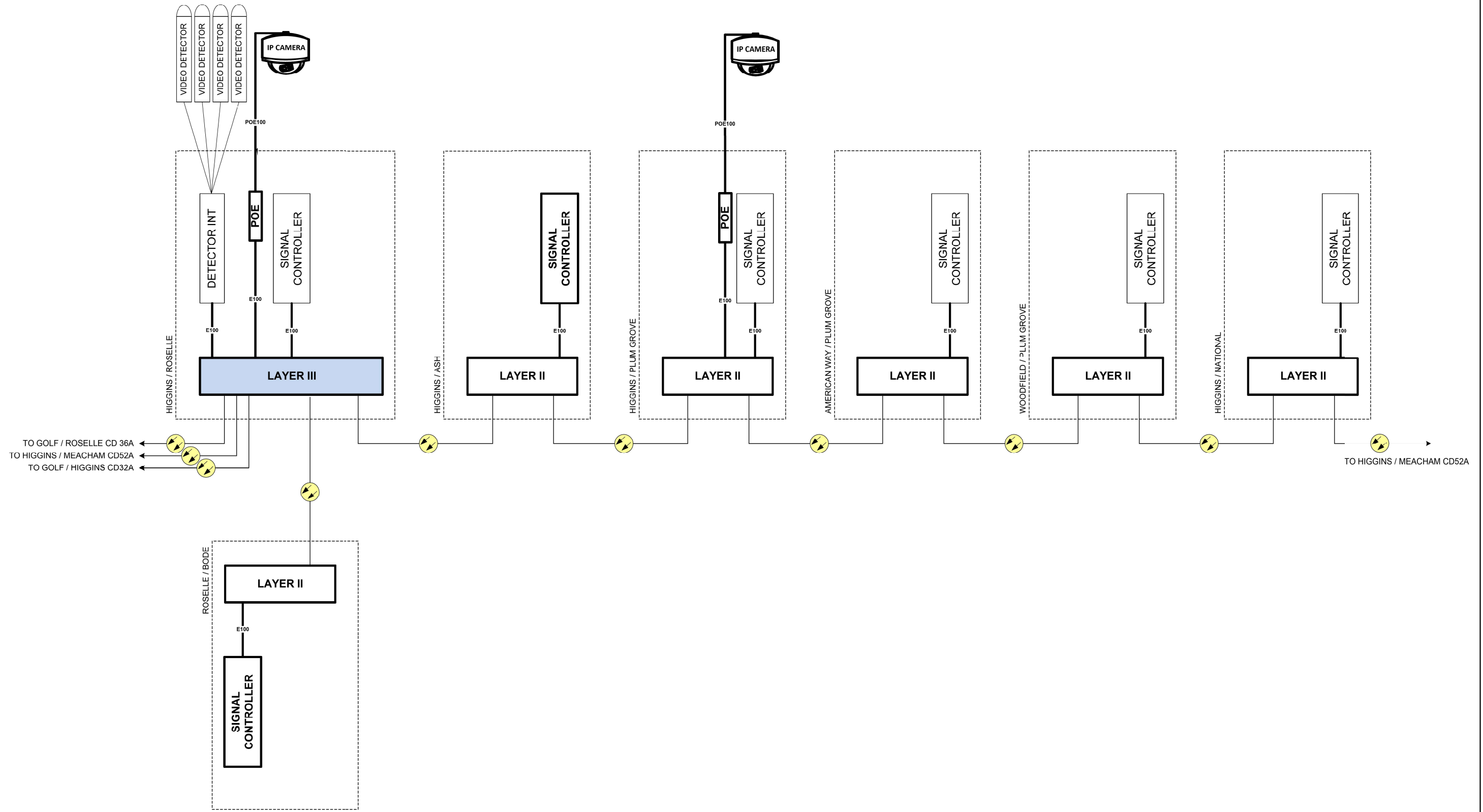
USER NAME = Kamil.Kobylka	DESIGNED - DG	REVISED - KK - 08-12-2022
	DRAWN - DG	REVISED -
PLOT SCALE = 40,0000 * / in.	CHECKED - KK	REVISED -
PLOT DATE = 8/15/2022	DATE - 06/30/2022	REVISED -

**STATE OF ILLINOIS
 DEPARTMENT OF TRANSPORTATION**

**CABINET DETAIL
 GOLF RD FROM EAST FRONTAGE RD TO GALAGHER WAY**

SCALE: SHEET OF SHEETS STA. TO STA.

F.A. RTE.	SECTION	COUNTY	TOTAL SHEETS	SHEET NO.
VAR.	2022 TRAFFIC 01	COOK	241	209
CONTRACT NO. 62R81				
ILLINOIS FED. AID PROJECT				



MODEL: Default
 FILE NAME: p:\idirect-pw-bentley.com\PIV\DOT\Documents\DOT Office\Dir\dtd - \Project\115476\CAD\Drawn\Traffic\115476-s-cnt-t-2.dgn

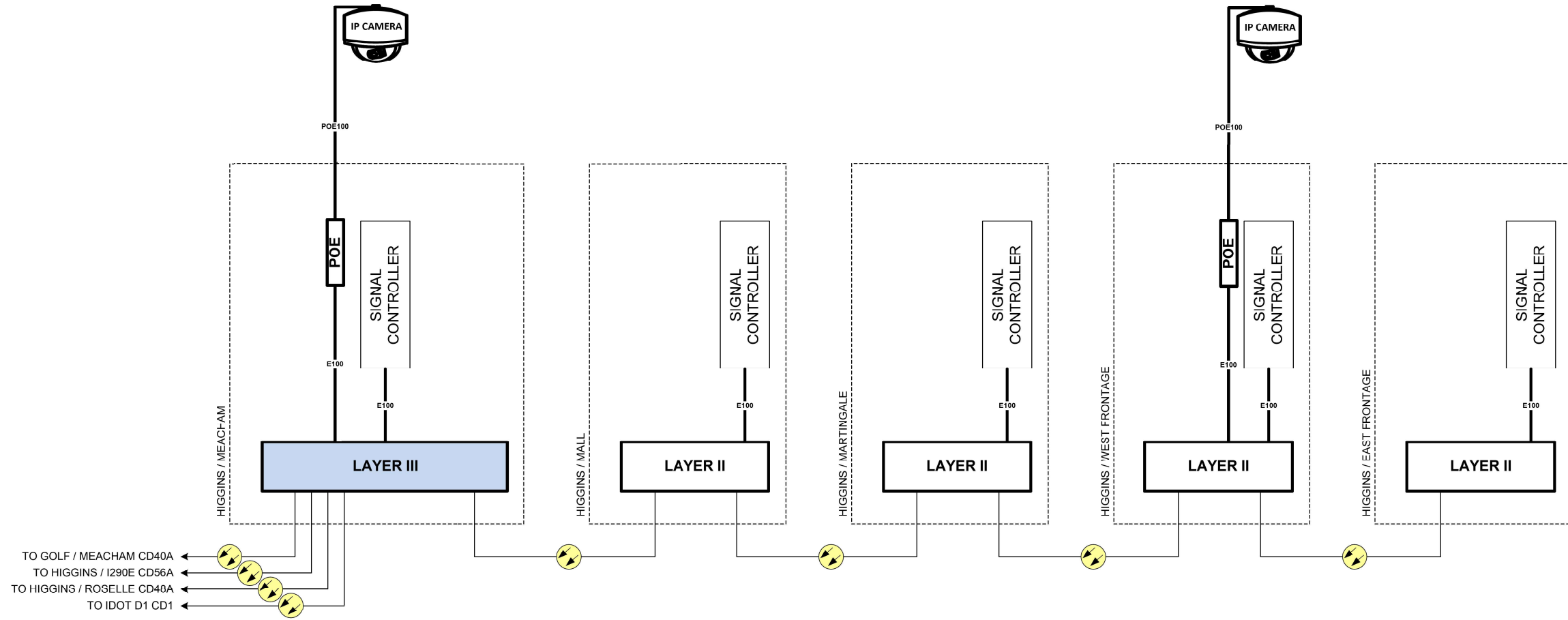
USER NAME = Kamil.Kobylka	DESIGNED - DG	REVISED - KK - 08-12-2022
	DRAWN - DG	REVISED -
PLOT SCALE = 40,0000 * / in.	CHECKED - KK	REVISED -
PLOT DATE = 8/15/2022	DATE - 06/30/2022	REVISED -

**STATE OF ILLINOIS
 DEPARTMENT OF TRANSPORTATION**

**CABINET DETAIL
 HIGGINS RD FROM ROSELLE RD TO NATIONAL PKWY**

SCALE: SHEET OF SHEETS STA. TO STA.

F.A. RTE.	SECTION	COUNTY	TOTAL SHEETS	SHEET NO.
VAR.	2022 TRAFFIC 01	COOK	241	210
CONTRACT NO. 62R81				
ILLINOIS FED. AID PROJECT				



MODEL: Default
 FILE NAME: p:\project\paw_bentley.com\paw\dot\documents\DOT Office\Dir\dtdt_1\project\115476\CAD\Drawn\Traffic\115476-sch-cab-2.dgn

USER NAME = Kamil.Kobylka	DESIGNED - DG	REVISED - KK - 08-12-2022
	DRAWN - DG	REVISED -
PLOT SCALE = 40,0000 * / in.	CHECKED - KK	REVISED -
PLOT DATE = 8/15/2022	DATE - 06/30/2022	REVISED -

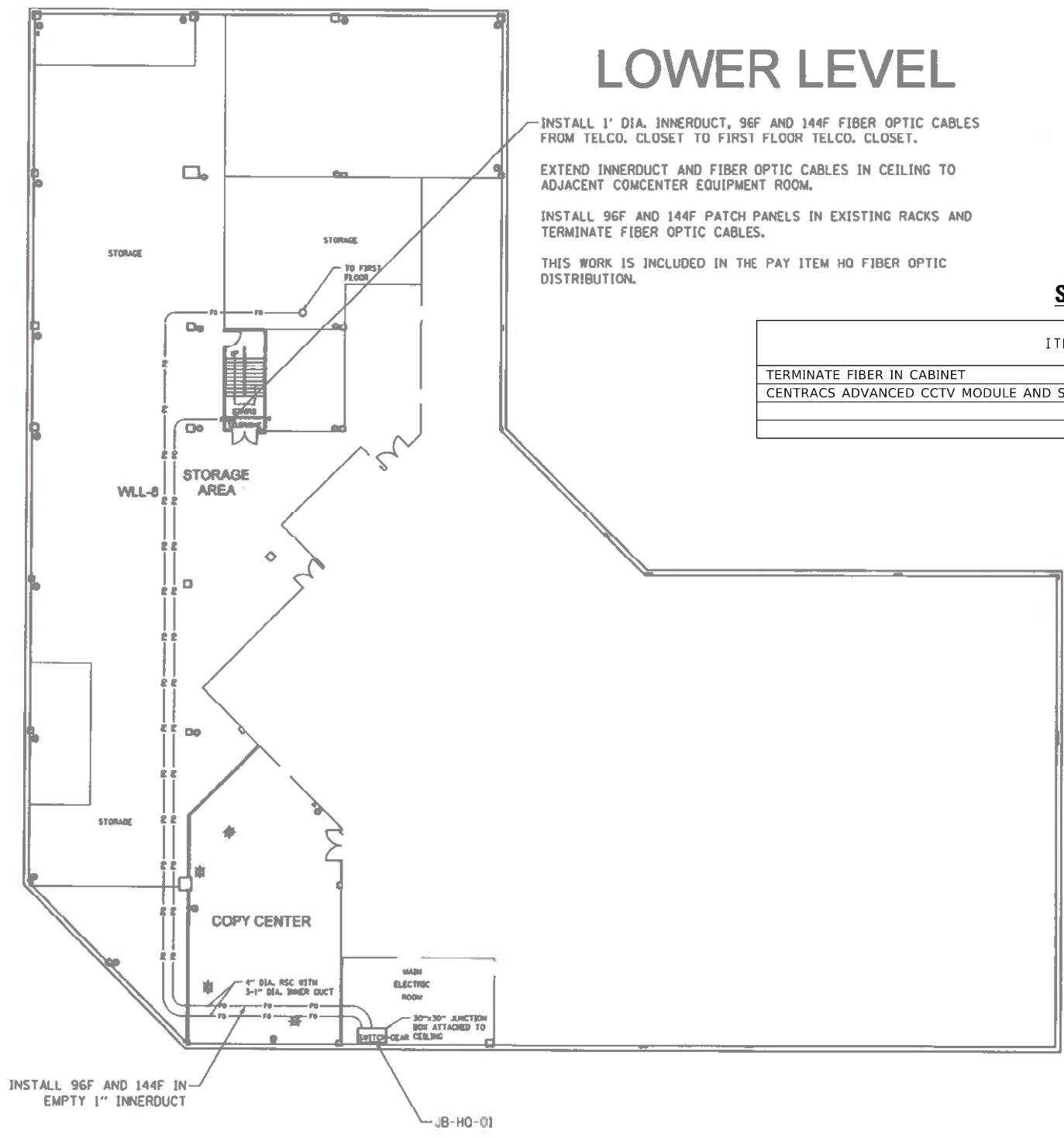
**STATE OF ILLINOIS
 DEPARTMENT OF TRANSPORTATION**

CABINET DETAIL			
HIGGINS RD FROM MEACHEM RD TO EAST FRONTAGE RD			
SCALE:	SHEET	OF SHEETS	STA. TO STA.

F.A. RTE.	SECTION	COUNTY	TOTAL SHEETS	SHEET NO.
VAR.	2022 TRAFFIC 01	COOK	241	211
CONTRACT NO. 62R81				
ILLINOIS FED. AID PROJECT				



LOWER LEVEL



INSTALL 1" DIA. INNERDUCT, 96F AND 144F FIBER OPTIC CABLES FROM TELCO. CLOSET TO FIRST FLOOR TELCO. CLOSET.

EXTEND INNERDUCT AND FIBER OPTIC CABLES IN CEILING TO ADJACENT COMCENTER EQUIPMENT ROOM.

INSTALL 96F AND 144F PATCH PANELS IN EXISTING RACKS AND TERMINATE FIBER OPTIC CABLES.

THIS WORK IS INCLUDED IN THE PAY ITEM HQ FIBER OPTIC DISTRIBUTION.

SCHEDULE OF QUANTITIES

ITEM DESCRIPTION	UNITS	TOTAL QTY.
TERMINATE FIBER IN CABINET	EACH	6
CENTRACS ADVANCED CCTV MODULE AND SERVER	EACH	1

INSTALL 96F AND 144F IN EMPTY 1" INNERDUCT

JB-HQ-01

MODEL: Default
 FILE NAME: p:\idistrict\aw_bentley.com\p\idistrict\documents\idot_offices\idistrict_1\project\115476\CADD\DWG\115476-int-1-2.dwg

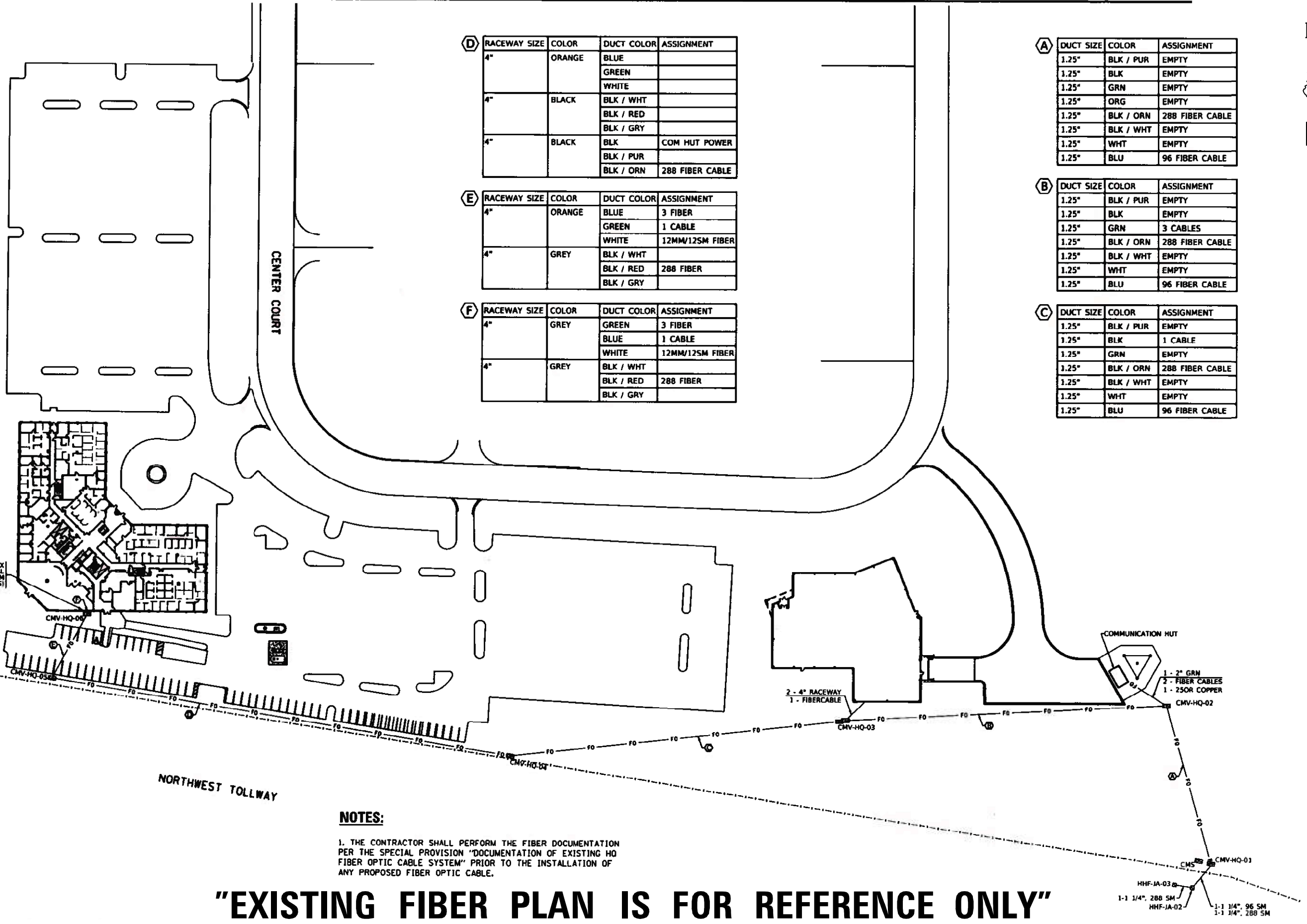
USER NAME = Kamil.Kobylka	DESIGNED - KK	REVISED - KK - 08-12-2022
DRAWN - GM	CHECKED - DD	REVISED -
PLOT SCALE = 40,0000 * / in.	DATE - 06/30/2022	REVISED -
PLOT DATE = 8/15/2022		

**STATE OF ILLINOIS
DEPARTMENT OF TRANSPORTATION**

IDOT DISTRICT 1 HEADQUARTERS BUILDING DETAIL

SCALE: SHEET OF SHEETS STA. TO STA.

F.A. RTE.	SECTION	COUNTY	TOTAL SHEETS	SHEET NO.
VAR.	2022 TRAFFIC 01	COOK	241	212
CONTRACT NO. 62R81				
ILLINOIS FED. AID PROJECT				



D

RACEWAY SIZE	COLOR	DUCT COLOR	ASSIGNMENT
4"	ORANGE	BLUE	
		GREEN	
		WHITE	
4"	BLACK	BLK / WHT	
		BLK / RED	
		BLK / GRY	
4"	BLACK	BLK	COM HUT POWER
		BLK / PUR	
		BLK / ORN	288 FIBER CABLE

E

RACEWAY SIZE	COLOR	DUCT COLOR	ASSIGNMENT
4"	ORANGE	BLUE	3 FIBER
		GREEN	1 CABLE
		WHITE	12MM/12SM FIBER
4"	GREY	BLK / WHT	
		BLK / RED	288 FIBER
		BLK / GRY	

F

RACEWAY SIZE	COLOR	DUCT COLOR	ASSIGNMENT
4"	GREY	GREEN	3 FIBER
		BLUE	1 CABLE
		WHITE	12MM/12SM FIBER
4"	GREY	BLK / WHT	
		BLK / RED	288 FIBER
		BLK / GRY	

A

DUCT SIZE	COLOR	ASSIGNMENT
1.25"	BLK / PUR	EMPTY
1.25"	BLK	EMPTY
1.25"	GRN	EMPTY
1.25"	ORG	EMPTY
1.25"	BLK / ORN	288 FIBER CABLE
1.25"	BLK / WHT	EMPTY
1.25"	WHT	EMPTY
1.25"	BLU	96 FIBER CABLE

B

DUCT SIZE	COLOR	ASSIGNMENT
1.25"	BLK / PUR	EMPTY
1.25"	BLK	EMPTY
1.25"	GRN	3 CABLES
1.25"	BLK / ORN	288 FIBER CABLE
1.25"	BLK / WHT	EMPTY
1.25"	WHT	EMPTY
1.25"	BLU	96 FIBER CABLE

C

DUCT SIZE	COLOR	ASSIGNMENT
1.25"	BLK / PUR	EMPTY
1.25"	BLK	1 CABLE
1.25"	GRN	EMPTY
1.25"	BLK / ORN	288 FIBER CABLE
1.25"	BLK / WHT	EMPTY
1.25"	WHT	EMPTY
1.25"	BLU	96 FIBER CABLE

NOTES:

- THE CONTRACTOR SHALL PERFORM THE FIBER DOCUMENTATION PER THE SPECIAL PROVISION "DOCUMENTATION OF EXISTING HO FIBER OPTIC CABLE SYSTEM" PRIOR TO THE INSTALLATION OF ANY PROPOSED FIBER OPTIC CABLE.

"EXISTING FIBER PLAN IS FOR REFERENCE ONLY"

MODEL: Default
 FILE: \\naufp...build\paw.bearby.com\PIV\DOT\Documents\DOT\Office\Dir\dir...115476\CADD\DOT\Fiber\T15476-ink-1-2.dgn

USER NAME = koby/kaka	DESIGNED - KK	REVISED -
	DRAWN - GM	REVISED -
PLOT SCALE = 40,0000 * 1/ in.	CHECKED - DD	REVISED -
PLOT DATE = 6/30/2022	DATE - 06/30/2022	REVISED -

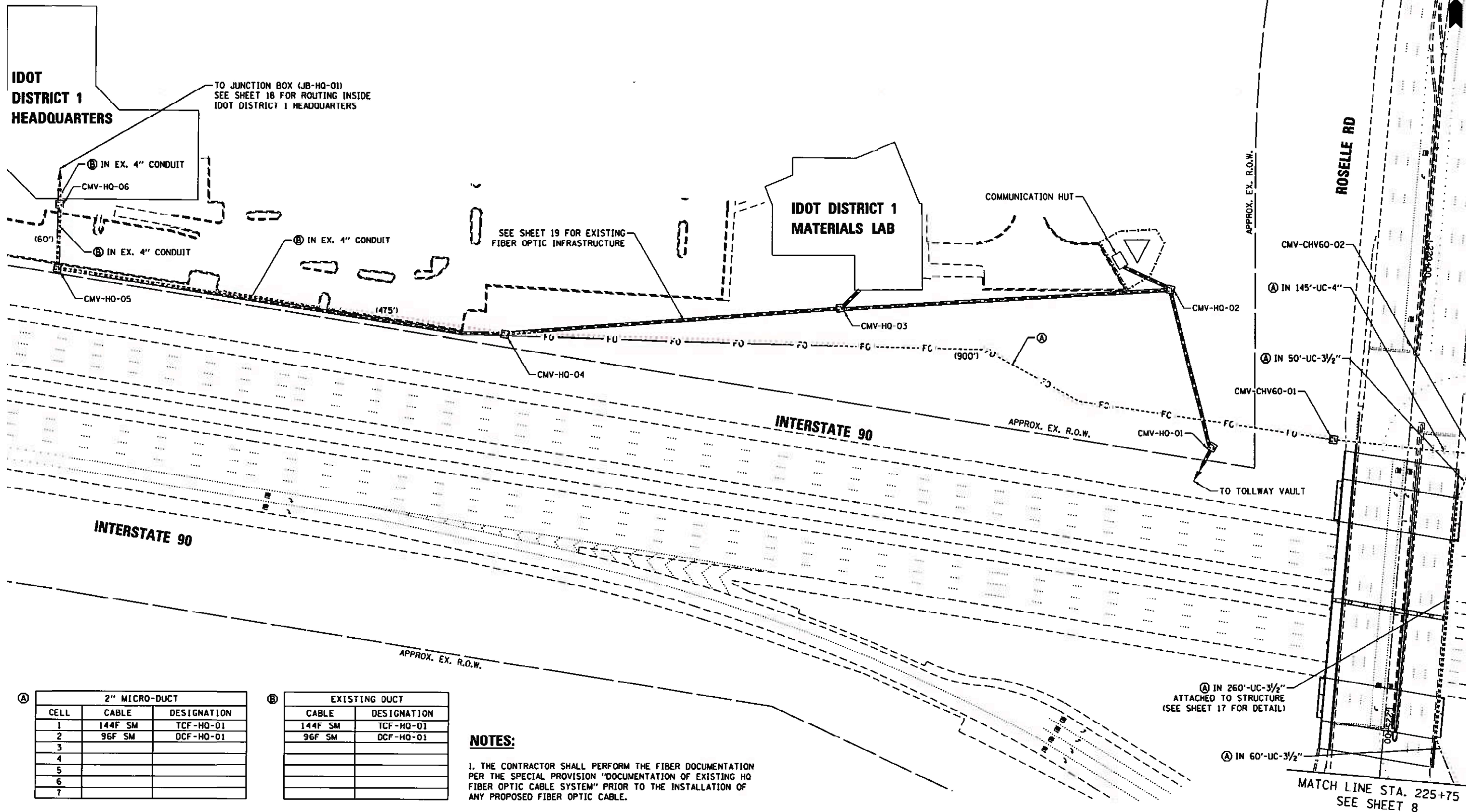
STATE OF ILLINOIS
DEPARTMENT OF TRANSPORTATION

D1HQ FIBER OPTIC

SCALE: SHEET OF SHEETS STA. TO STA.

F.A. RTE.	SECTION	COUNTY	TOTAL SHEETS	SHEET NO.
VAR.	2022 TRAFFIC 01	COOK	241	213
				CONTRACT NO. 62R81
ILLINOIS FED. AID PROJECT				

"EXISTING FIBER PLAN IS FOR REFERENCE ONLY"



A 2" MICRO-DUCT

CELL	CABLE	DESIGNATION
1	144F SM	TCF-HQ-01
2	96F SM	DCF-HQ-01
3		
4		
5		
6		
7		

B EXISTING DUCT

CABLE	DESIGNATION
144F SM	TCF-HQ-01
96F SM	DCF-HQ-01

NOTES:
 1. THE CONTRACTOR SHALL PERFORM THE FIBER DOCUMENTATION PER THE SPECIAL PROVISION "DOCUMENTATION OF EXISTING HO FIBER OPTIC CABLE SYSTEM" PRIOR TO THE INSTALLATION OF ANY PROPOSED FIBER OPTIC CABLE.

MODEL: Default
 FILE: 244161_244161.dwg
 PROJECT: 244161
 SHEET: 1
 DATE: 6/30/2022

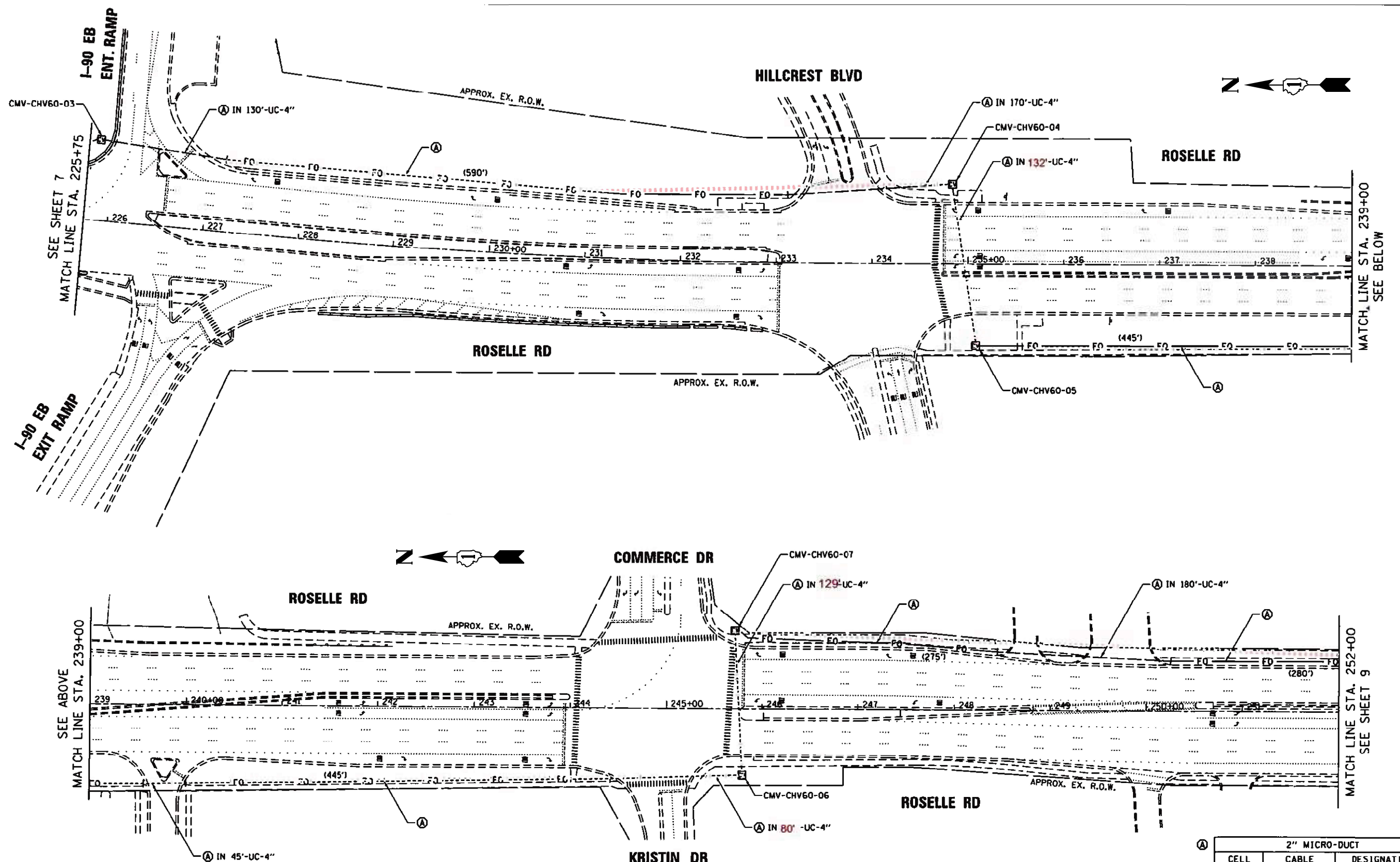
USER NAME = koby/kaka	DESIGNED - KK	REVISED -
PLOT SCALE = 40,0000 * / in.	DRAWN - GM	REVISED -
PLOT DATE = 6/30/2022	CHECKED - DD	REVISED -
	DATE - 06/30/2022	REVISED -

**STATE OF ILLINOIS
 DEPARTMENT OF TRANSPORTATION**

**ROSELLE/HIGGINS FIBER OPTIC ROUTE
 SHEET 1**

SCALE: SHEET OF SHEETS STA. TO STA.

F.A. RTE.	SECTION	COUNTY	TOTAL SHEETS	SHEET NO.
VAR.	2022 TRAFFIC 01	COOK	241	214
CONTRACT NO. 62R81				
ILLINOIS FED. AID PROJECT				

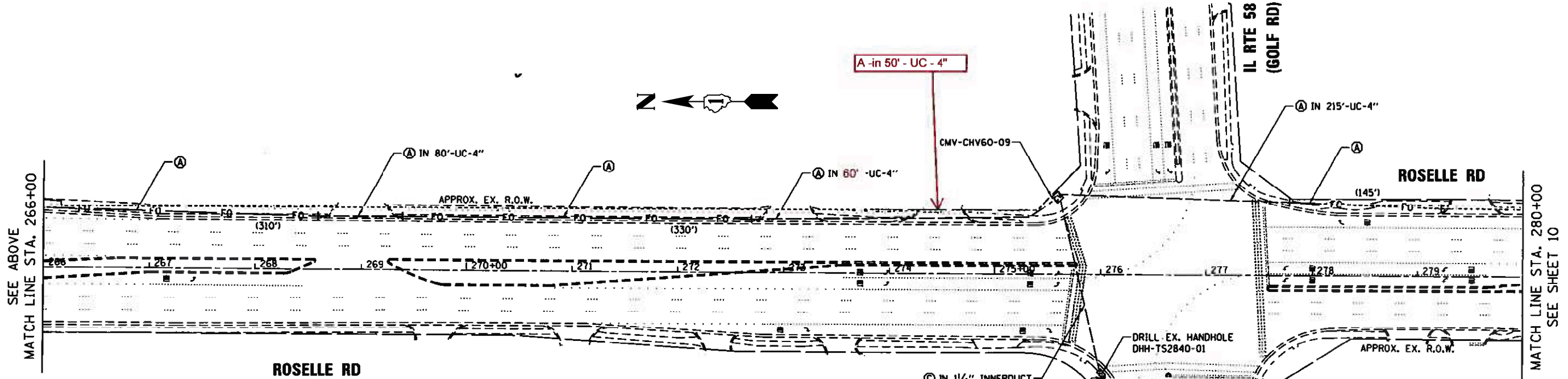
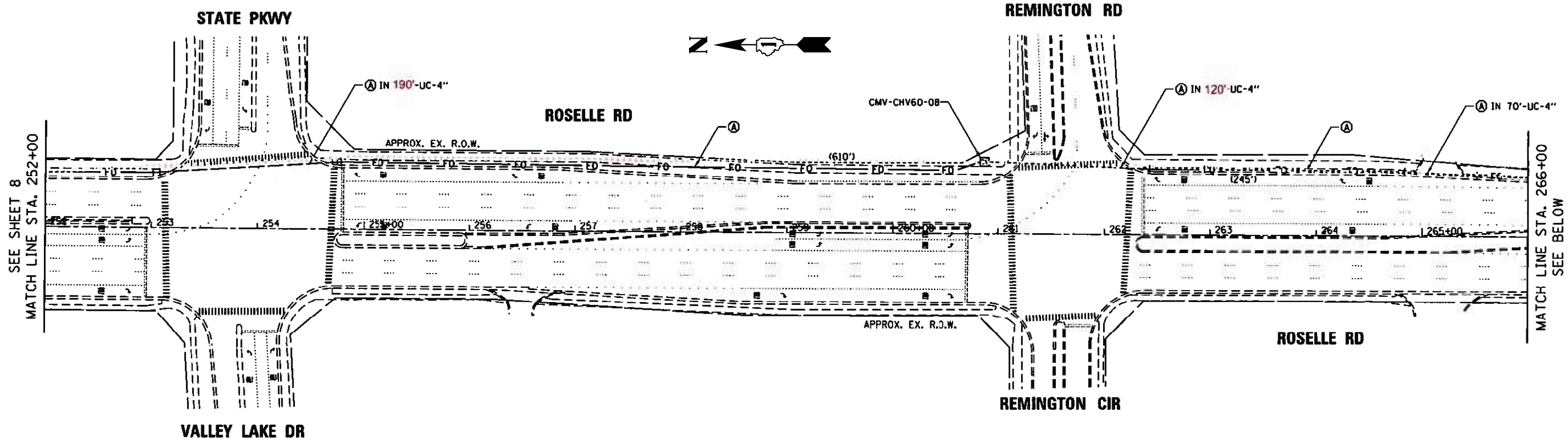


"EXISTING FIBER PLAN IS FOR REFERENCE ONLY"

Ⓐ

2" MICRO-DUCT		
CELL	CABLE	DESIGNATION
1	144F SM	TCF-HO-01
2	96F SM	DCF-HO-01
3		
4		
5		
6		
7		

MODEL: Default
FILE: higgs_222.ctb
PROJECT: I:\Projects\15476\CADD\Drawings\15476-01-02.dwg



A

2" MICRO-DUCT		
CELL	CABLE	DESIGNATION
1	144F SM	TCF-HO-01
2	96F SM	DCF-HO-01
3		
4		
5		
6		
7		

C

LATERAL	
CABLE	DESIGNATION
24F SM	LCF-CHV60-01A

"EXISTING FIBER PLAN IS FOR REFERENCE ONLY"

MODEL: P:\default
 FILE: NAME: p:\uldest-pw-bead-fy.com\FW\DOT\Documents\DOT\offices\Dr\rdet_11\p06c3115476\CADD\BATT\TAXE\T15476-01-01-03.dgn

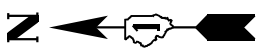
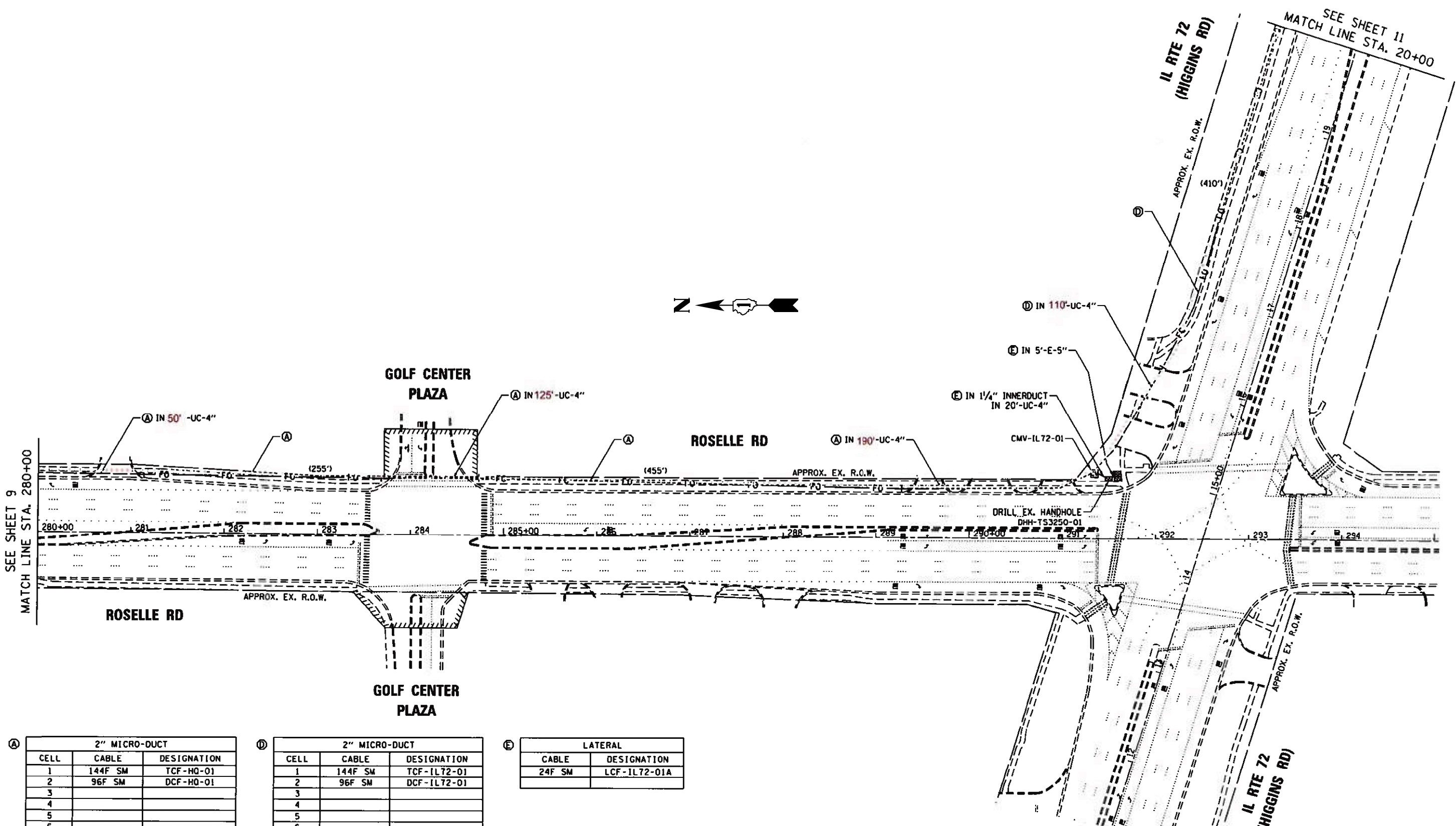
USER NAME = koby/kaka	DESIGNED - KK	REVISED -
PLOT SCALE = 40,0000 */ in.	DRAWN - GM	REVISED -
PLOT DATE = 6/30/2022	CHECKED - DD	REVISED -
	DATE - 06/30/2022	REVISED -

STATE OF ILLINOIS
DEPARTMENT OF TRANSPORTATION

ROSELLE\HIGGINS FIBER OPTIC ROUTE			
SHEET 3			
SCALE:	SHEET	OF SHEETS	STA. TO STA.

F.A. RTE.	SECTION	COUNTY	TOTAL SHEETS	SHEET NO.
VAR.	2022 TRAFFIC 01	COOK	241	216
CONTRACT NO. 62R81				
ILLINOIS FED. AID PROJECT				

MODEL: D:\out\...
 FILE: M:\E:\p\...
 PROJECT: 115476\CADD\DOT\Office\Bldg\115476-01-01-01.dgn



A

2" MICRO-DUCT		
CELL	CABLE	DESIGNATION
1	144F SM	TCF-HQ-01
2	96F SM	DCF-HQ-01
3		
4		
5		
6		
7		

D

2" MICRO-DUCT		
CELL	CABLE	DESIGNATION
1	144F SM	TCF-IL72-01
2	96F SM	DCF-IL72-01
3		
4		
5		
6		
7		

E

LATERAL	
CABLE	DESIGNATION
24F SM	LCF-IL72-01A

"EXISTING FIBER PLAN IS FOR REFERENCE ONLY"

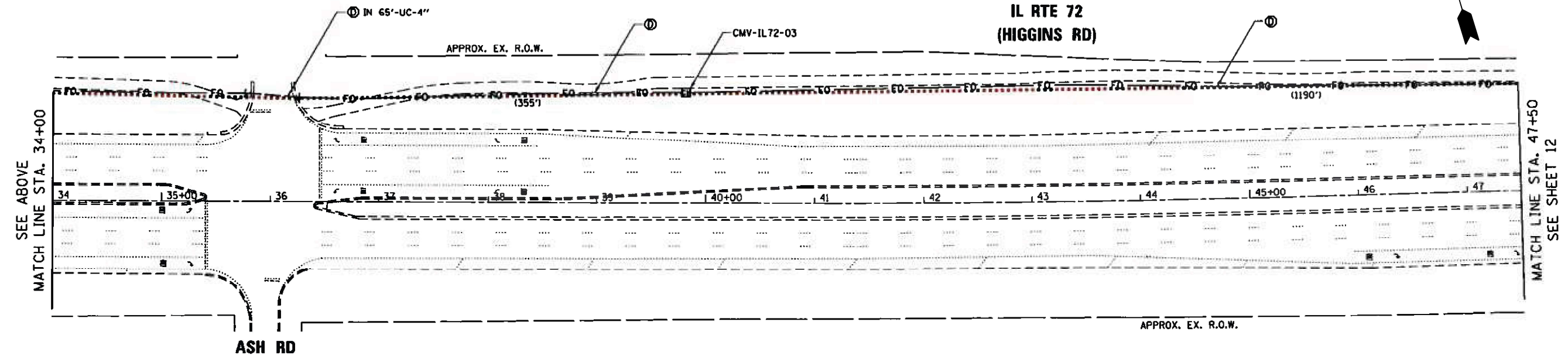
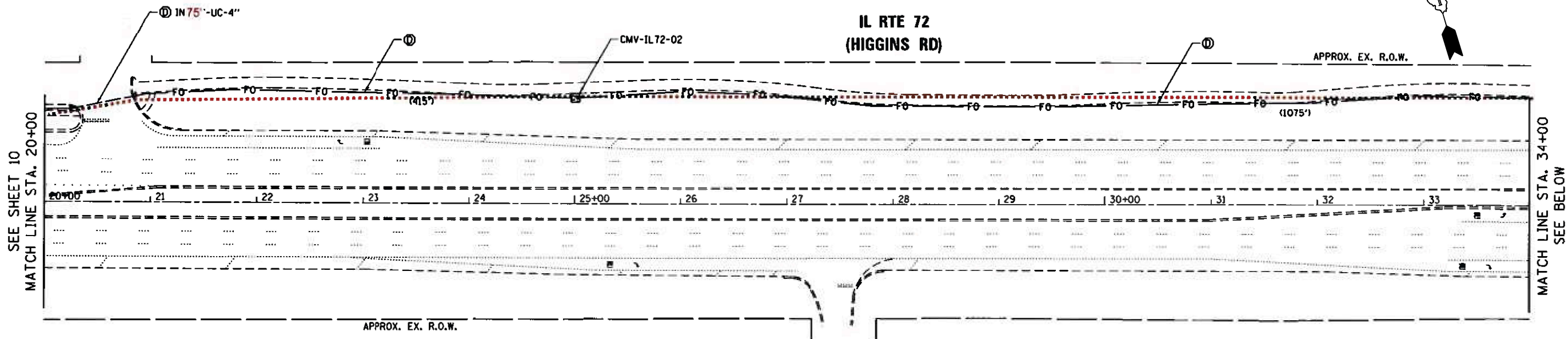
USER NAME = kobykaka	DESIGNED - KK	REVISED -
PLOT SCALE = 40,0000' / in.	DRAWN - GM	REVISED -
PLOT DATE = 6/30/2022	CHECKED - DD	REVISED -
	DATE - 06/30/2022	REVISED -

STATE OF ILLINOIS
DEPARTMENT OF TRANSPORTATION

ROSELLE\HIGGINS FIBER OPTIC ROUTE
SHEET 4

SCALE: SHEET OF SHEETS STA. TO STA.

F.A. RTE.	SECTION	COUNTY	TOTAL SHEETS	SHEET NO.
VAR.	2022 TRAFFIC 01	COOK	241	217
CONTRACT NO. 62R81				
ILLINOIS FED. AID PROJECT				



2" MICRO-DUCT		
CELL	CABLE	DESIGNATION
1	144F SM	TCF-IL72-01
2	96F SM	DCF-IL72-01
3		
4		
5		
6		
7		

"EXISTING FIBER PLAN IS FOR REFERENCE ONLY"

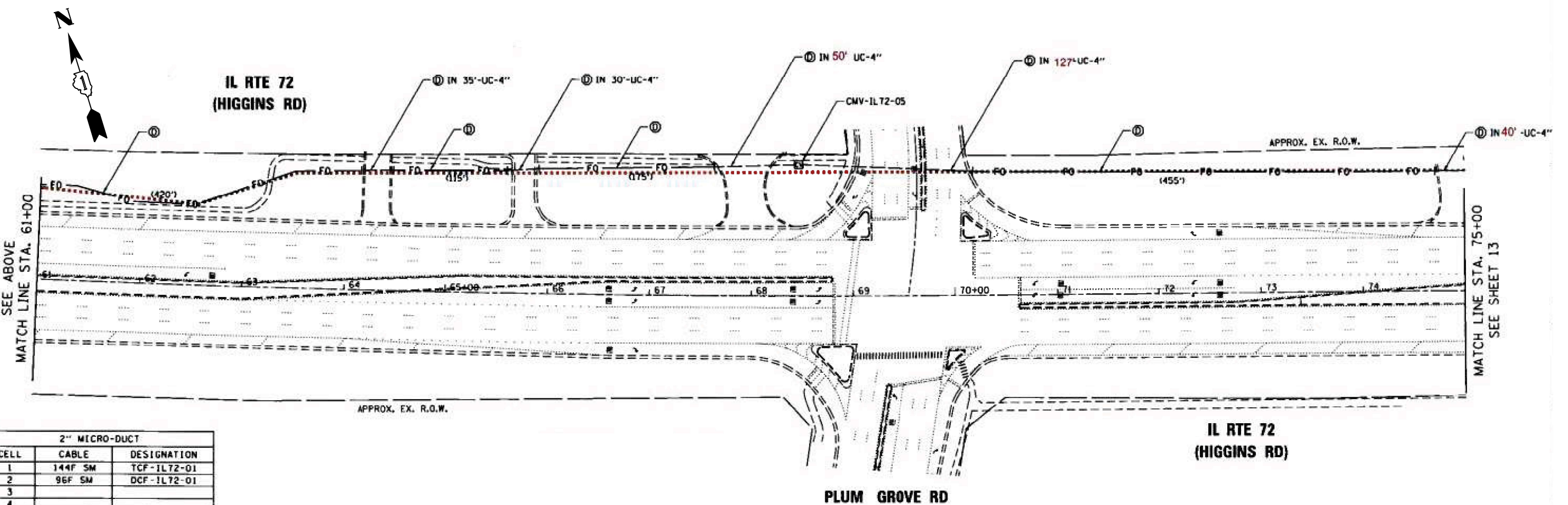
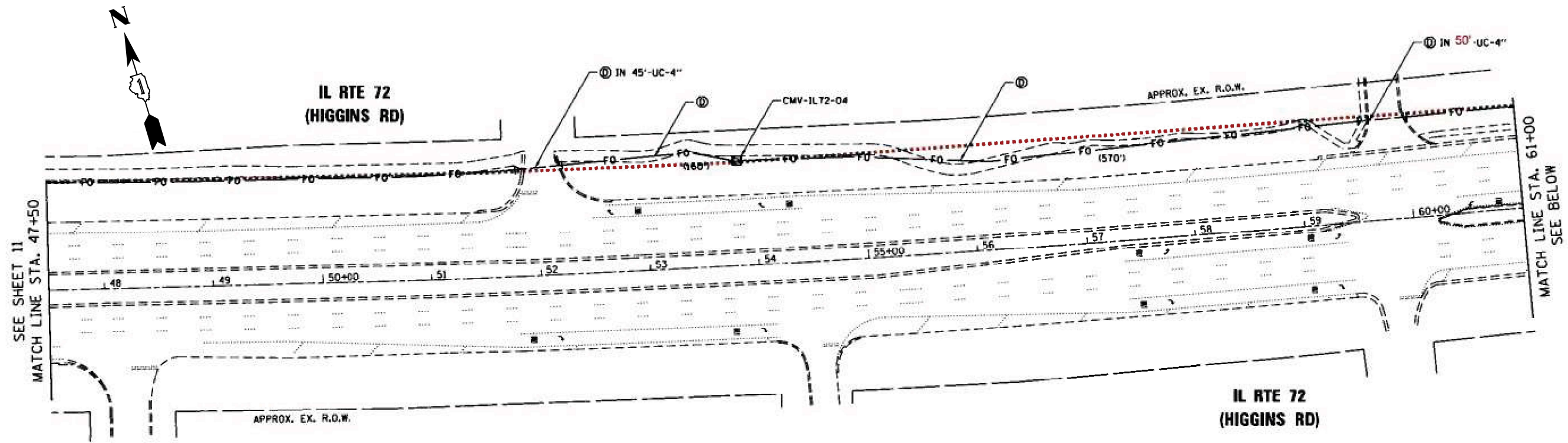
MODEL: D:\out... FILE: HIGGINS_FIBER_OPTIC_ROUTE_01.dwg

USER NAME = kobykaka	DESIGNED - KK	REVISED -
PLOT SCALE = 40,0000 ' / in.	DRAWN - GM	REVISED -
PLOT DATE = 6/30/2022	CHECKED - DD	REVISED -
	DATE - 06/30/2022	REVISED -

STATE OF ILLINOIS
DEPARTMENT OF TRANSPORTATION

ROSELLE\HIGGINS FIBER OPTIC ROUTE			
SHEET 5			
SCALE:	SHEET	OF SHEETS	STA. TO STA.

F.A. RTE.	SECTION	COUNTY	TOTAL SHEETS	SHEET NO.
VAR.	2022 TRAFFIC 01	COOK	241	218
CONTRACT NO. 62R81				
ILLINOIS FED. AID PROJECT				



2" MICRO-DUCT		
CELL	CABLE	DESIGNATION
1	144F SM	TCF-IL72-01
2	96F SM	DCF-IL72-01
3		
4		
5		
6		
7		

"EXISTING FIBER PLAN IS FOR REFERENCE ONLY"

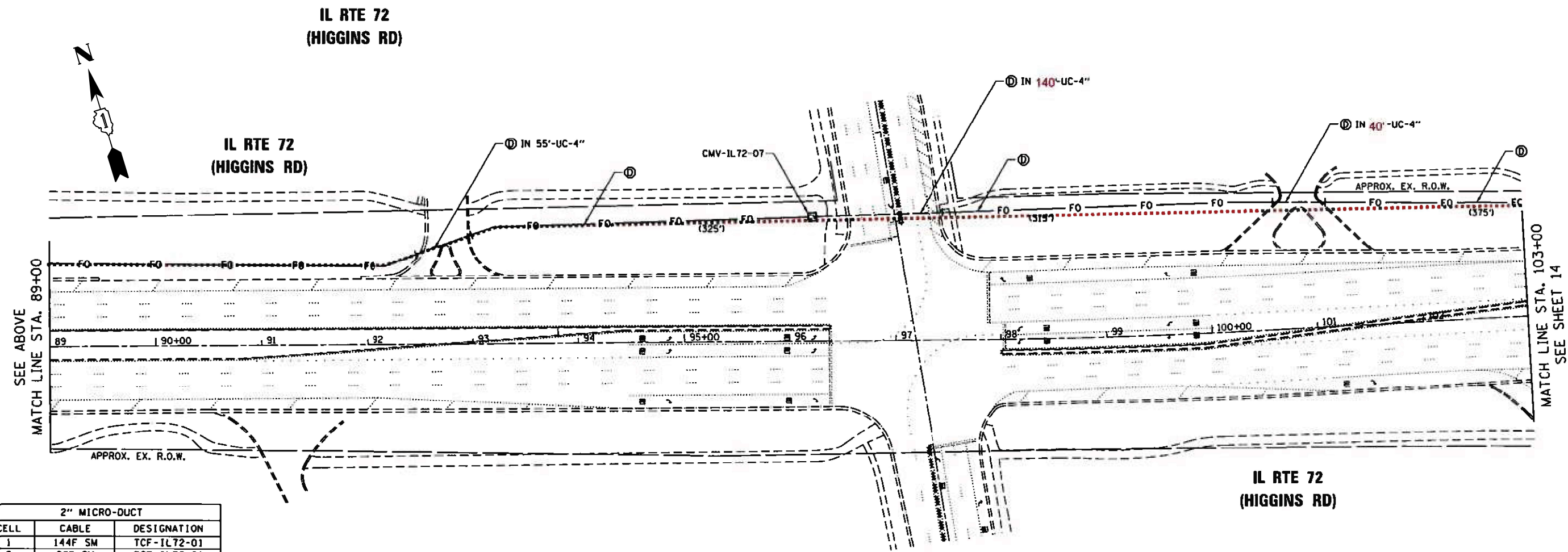
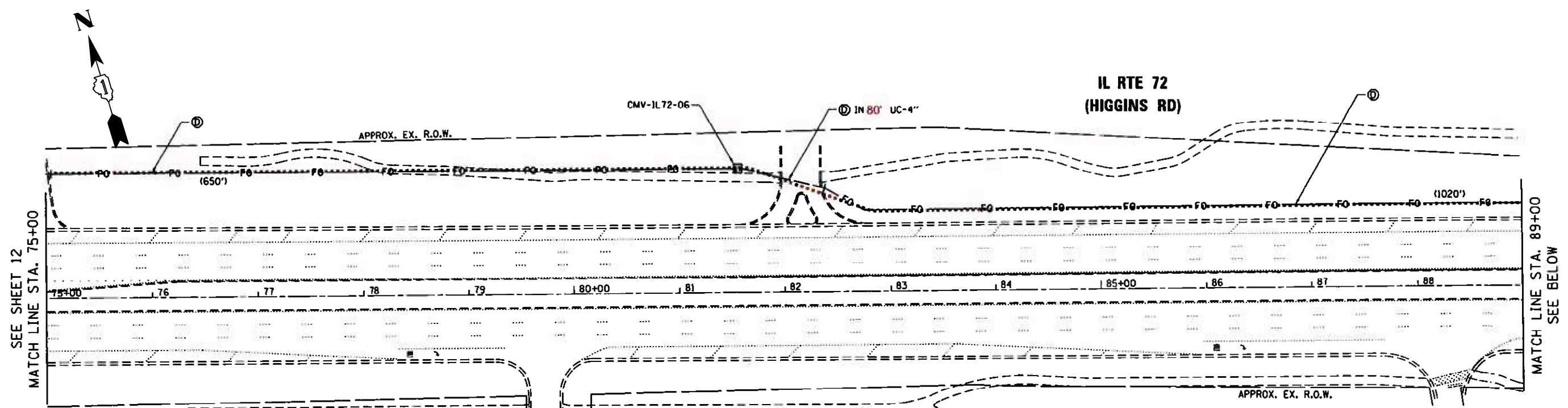
MODEL: D:\out FILE: M:\M&E: p:\p\illdot-pw_bentley.com\p\illdot\Documents\DOT_Offices\District_1\Projects\115476\CADD\DOT\Traffic\115476-sha-ss-2.dgn

USER NAME = kobykaka	DESIGNED - KK	REVISED -
	DRAWN - GM	REVISED -
PLOT SCALE = 40,0000' / in.	CHECKED - DD	REVISED -
PLOT DATE = 6/30/2022	DATE - 06/30/2022	REVISED -

STATE OF ILLINOIS
DEPARTMENT OF TRANSPORTATION

ROSELLE\HIGGINS FIBER OPTIC ROUTE	
SHEET 6	
SCALE:	SHEET OF SHEETS STA. TO STA.

F.A. RTE.	SECTION	COUNTY	TOTAL SHEETS	SHEET NO.
VAR.	2022 TRAFFIC 01	COOK	241	219
CONTRACT NO. 62R81				
ILLINOIS FED. AID PROJECT				



2" MICRO-DUCT		
CELL	CABLE	DESIGNATION
1	144F SM	TCF-IL72-01
2	96F SM	DCF-IL72-01
3		
4		
5		
6		
7		

"EXISTING FIBER PLAN IS FOR REFERENCE ONLY"

MODEL: D:\out FILE: M:\M&E: p:\build\paw_bentley.com\p\w\DOT\Documents\DOT_Offices\District_11\Projects\115476\CADD\DOT\Traffic\115476-shr-5-2.dgn

USER NAME = kobykaka	DESIGNED - KK	REVISED -
PLOT SCALE = 40,0000 ' / in.	DRAWN - GM	REVISED -
PLOT DATE = 6/30/2022	CHECKED - DD	REVISED -
	DATE - 06/30/2022	REVISED -

STATE OF ILLINOIS
DEPARTMENT OF TRANSPORTATION

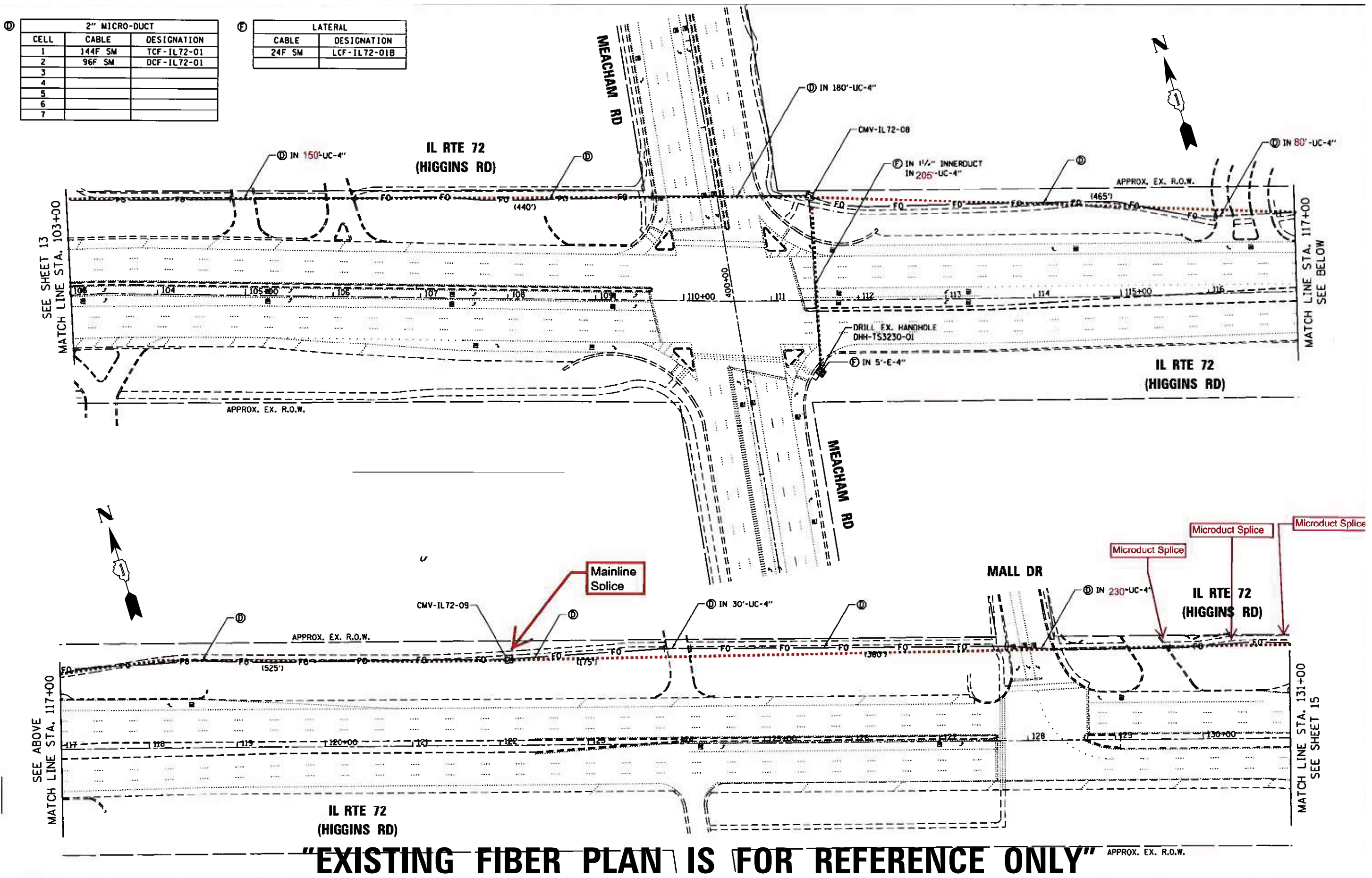
ROSELLE\HIGGINS FIBER OPTIC ROUTE
SHEET 7

F.A. RTE.	SECTION	COUNTY	TOTAL SHEETS	SHEET NO.
VAR.	2022 TRAFFIC 01	COOK	241	220
CONTRACT NO. 62R81				
ILLINOIS FED. AID PROJECT				

SCALE: SHEET OF SHEETS STA. TO STA.

2" MICRO-DUCT		
CELL	CABLE	DESIGNATION
1	144F SM	TCF-IL72-01
2	96F SM	DCF-IL72-01
3		
4		
5		
6		
7		

LATERAL	
CABLE	DESIGNATION
24F SM	LCF-IL72-01B



"EXISTING FIBER PLAN IS FOR REFERENCE ONLY" APPROX. EX. R.O.W.

MODEL: Default FILE: M:\ME: p:\p\road-cov_bentley.com\p\DOT\Documents\DOT_Offices\District_11\Projects\115476\CADD\115476-01\115476-01-115476-01.dgn

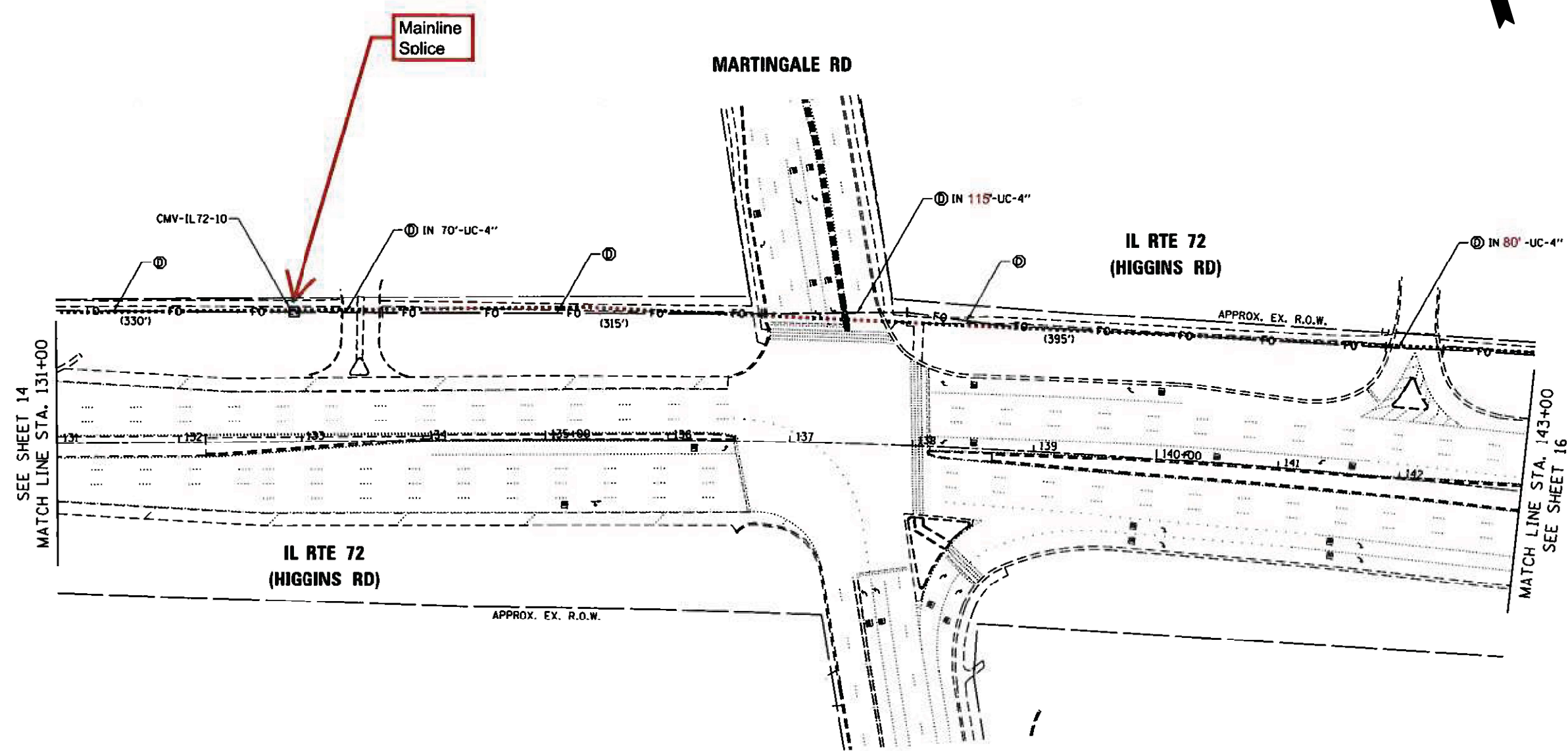
USER NAME = kobykaka	DESIGNED - KK	REVISED -
PLOT SCALE = 40,0000' / in.	DRAWN - GM	REVISED -
PLOT DATE = 6/30/2022	CHECKED - DD	REVISED -
	DATE - 06/30/2022	REVISED -

STATE OF ILLINOIS
DEPARTMENT OF TRANSPORTATION

ROSELLE\HIGGINS FIBER OPTIC ROUTE
SHEET 8

F.A. RTE.	SECTION	COUNTY	TOTAL SHEETS	SHEET NO.
VAR.	2022 TRAFFIC 01	COOK	241	221
CONTRACT NO. 62R81				
ILLINOIS FED. AID PROJECT				

SCALE: SHEET OF SHEETS STA. TO STA.



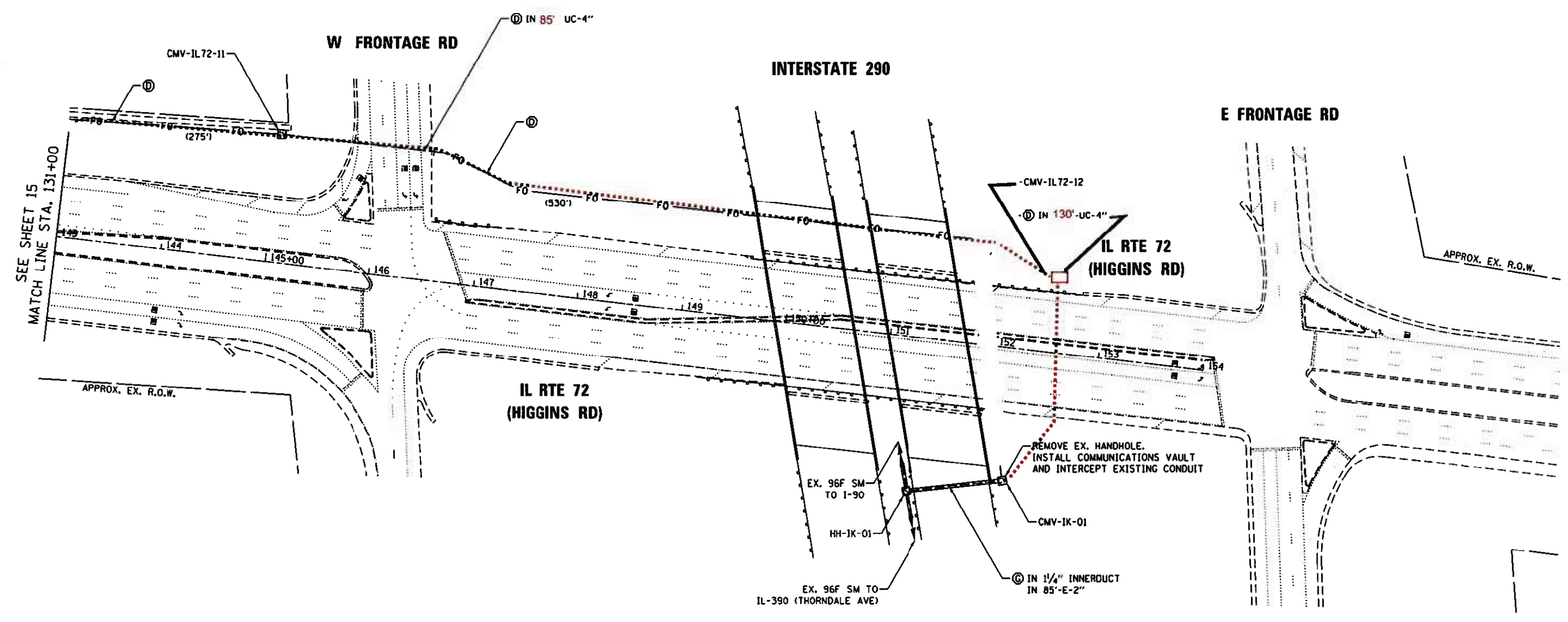
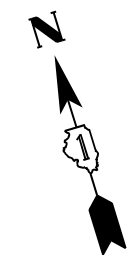
①

2" MICRO-DUCT		
CELL	CABLE	DESIGNATION
1	144F SM	TCF-IL72-01
2	96F SM	DCF-IL72-01
3		
4		
5		
6		
7		

"EXISTING FIBER PLAN IS FOR REFERENCE ONLY"

MODEL: D:\out
 FILE: MAME: p:\u\dot-cow_bentley.com\p\dot\Documents\DOT_Offices\Director_1\Projects\115476\CADD\dot\Traffic\115476-shr-ss-2.dgn

USER NAME = kobykaka	DESIGNED - KK	REVISED -	STATE OF ILLINOIS DEPARTMENT OF TRANSPORTATION	ROSELLE\HIGGINS FIBER OPTIC ROUTE SHEET 9		F.A. RTE.	SECTION	COUNTY	TOTAL SHEETS	SHEET NO.	
PLOT SCALE = 40,0000 ' / in.	DRAWN - GM	REVISED -		SCALE:	SHEET OF SHEETS	STA. TO STA.	VAR.	2022 TRAFFIC 01	COOK	241	222
PLOT DATE = 6/30/2022	CHECKED - DD	REVISED -					CONTRACT NO. 62R81				
	DATE - 06/30/2022	REVISED -					ILLINOIS FED. AID PROJECT				



① 2" MICRO-DUCT

CELL	CABLE	DESIGNATION
1	144F SM	TCF-IL72-01
2	96F SM	DCF-IL72-01
3		
4		
5		
6		
7		

② LATERAL

CABLE	DESIGNATION
24F SM	LCF-IL72-01C

"EXISTING FIBER PLAN IS FOR REFERENCE ONLY"

MODEL: D:\out FILE: M:\M&E_Plan\Road-ov_bentley.com\PROJECTS\DOT-Office\BIRlic: 1\Projects\115476\CADD\BIRlic\115476-shr-ss-2.dgn

USER NAME = kobykaka	DESIGNED - KK	REVISED -
PLOT SCALE = 40,0000 ' / in.	DRAWN - GM	REVISED -
PLOT DATE = 6/30/2022	CHECKED - DD	REVISED -
	DATE - 06/30/2022	REVISED -

STATE OF ILLINOIS
DEPARTMENT OF TRANSPORTATION

ROSELLE\HIGGINS FIBER OPTIC ROUTE
SHEET 10

SCALE: SHEET OF SHEETS STA. TO STA.

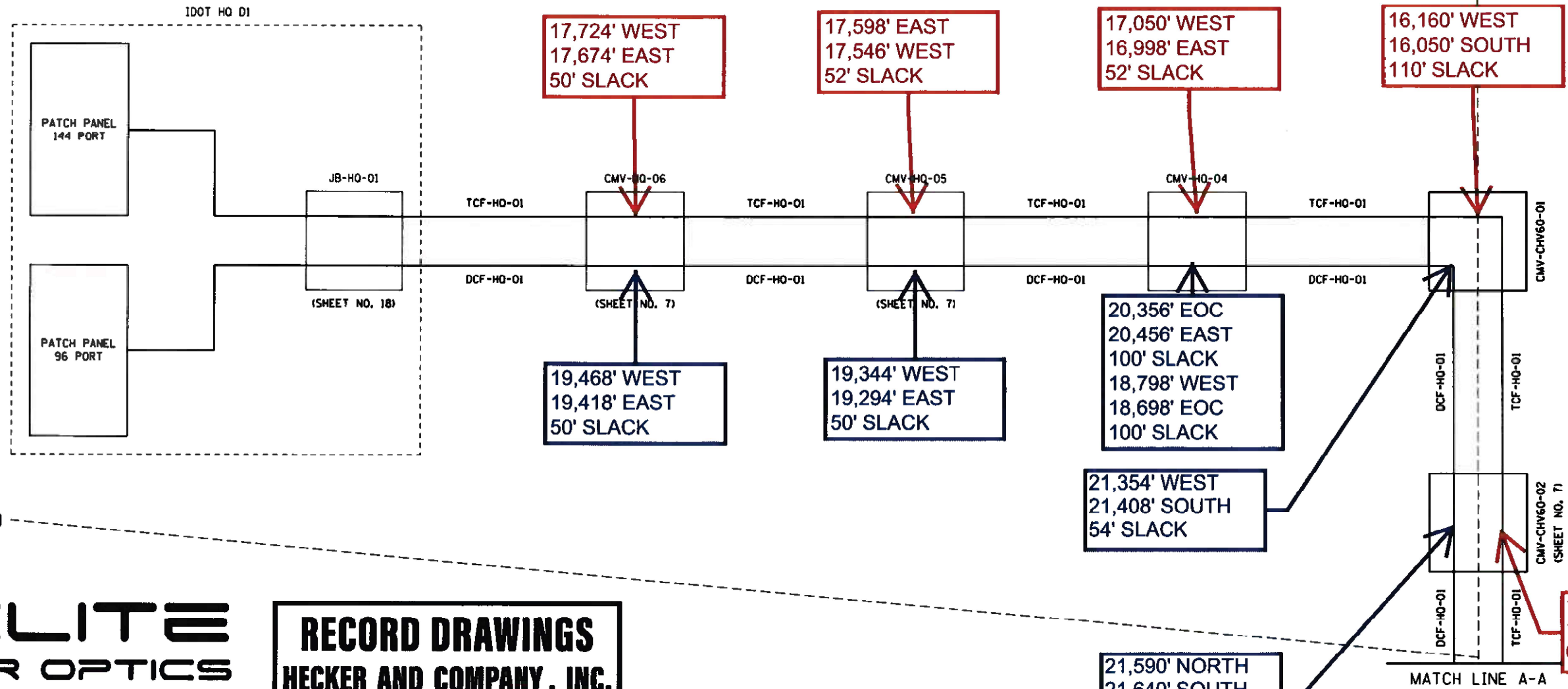
F.A. RTE.	SECTION	COUNTY	TOTAL SHEETS	SHEET NO.
VAR.	2022 TRAFFIC 01	COOK	241	223
CONTRACT NO. 62R81				
ILLINOIS FED. AID PROJECT				

"FOR REFERENCE ONLY"



CENTRAL AVE

ROSELLE RD



AS-BUILT

RECORD DRAWINGS
HECKER AND COMPANY, INC.
By Kevin Jersak Date 07/13/20

CABLE MARKING SLACK JB-HQ-01		
CABLE	IN	OUT
TCF-HQ-01		
DCF-HQ-01		

CABLE MARKING SLACK CMV-HQ-06		
CABLE	IN	OUT
TCF-HQ-01		
DCF-HQ-01		

CABLE MARKING SLACK CMV-HQ-05		
CABLE	IN	OUT
TCF-HQ-01		
DCF-HQ-01		

CABLE MARKING SLACK CMV-HQ-04		
CABLE	IN	OUT
TCF-HQ-01		
DCF-HQ-01		

CABLE MARKING SLACK CMV-CHV60-01		
CABLE	IN	OUT
TCF-HQ-01		
DCF-HQ-01		

CABLE MARKING SLACK CMV-CHV60-02		
CABLE	IN	OUT
TCF-HQ-01		
DCF-HQ-01		

MODEL: Default FILE: \\mhc-pw-beckler.com\p\idot\Documents\IDOT Office\Drawings\1100\001115476\CADD\Drawings\1100\001115476-01-01.dwg

USER NAME = koby/kaka	DESIGNED - KK	REVISED -
PLOT SCALE = 40,0000 * / in.	DRAWN - GM	REVISED -
PLOT DATE = 6/30/2022	CHECKED - DD	REVISED -
	DATE - 06/30/2022	REVISED -

STATE OF ILLINOIS
DEPARTMENT OF TRANSPORTATION

FIBER SPLICING DIAGRAM (SHEET 1 OF 5)
IDOT D1 HQ, ROSELLE RD., IL 72 AND I-290

SCALE: SHEET OF SHEETS STA. TO STA.

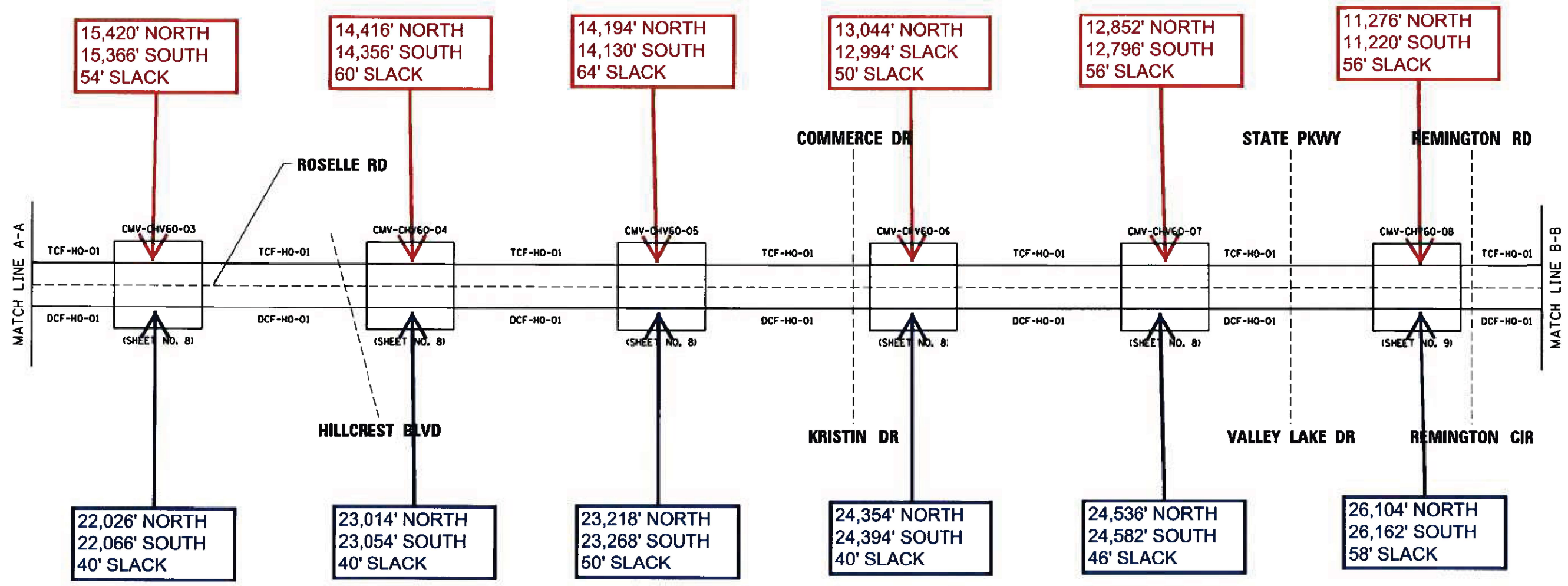
F.A. RTE.	SECTION	COUNTY	TOTAL SHEETS	SHEET NO.
VAR.	2022 TRAFFIC 01	COOK	241	224
			CONTRACT NO. 62R81	
ILLINOIS FED. AID PROJECT				



AS-BUILT

RECORD DRAWINGS
HECKER AND COMPANY, INC.
By Kevin Gerak Date 07/13/20

"FOR REFERENCE ONLY"



15,420' NORTH
15,366' SOUTH
54' SLACK

14,416' NORTH
14,356' SOUTH
60' SLACK

14,194' NORTH
14,130' SOUTH
64' SLACK

13,044' NORTH
12,994' SLACK
50' SLACK

12,852' NORTH
12,796' SOUTH
56' SLACK

11,276' NORTH
11,220' SOUTH
56' SLACK

22,026' NORTH
22,066' SOUTH
40' SLACK

23,014' NORTH
23,054' SOUTH
40' SLACK

23,218' NORTH
23,268' SOUTH
50' SLACK

24,354' NORTH
24,394' SOUTH
40' SLACK

24,536' NORTH
24,582' SOUTH
46' SLACK

26,104' NORTH
26,162' SOUTH
58' SLACK

CABLE MARKING SLACK CMV-CHV60-03		
CABLE	IN	OUT
TCF-HQ-01		
DCF-HQ-01		

CABLE MARKING SLACK CMV-CHV60-04		
CABLE	IN	OUT
TCF-HQ-01		
DCF-HQ-01		

CABLE MARKING SLACK CMV-CHV60-05		
CABLE	IN	OUT
TCF-HQ-01		
DCF-HQ-01		

CABLE MARKING SLACK CMV-CHV60-06		
CABLE	IN	OUT
TCF-HQ-01		
DCF-HQ-01		

CABLE MARKING SLACK CMV-CHV60-07		
CABLE	IN	OUT
TCF-HQ-01		
DCF-HQ-01		

CABLE MARKING SLACK CMV-CHV60-08		
CABLE	IN	OUT
TCF-HQ-01		
DCF-HQ-01		

MODEL: Default
 FILE: \\mhc-pw-beadefy.com\p\idot\Documents\DOT Office\Drawings\110622\115476\CADD\Drawings\115476-INT-1-2.dgn

USER NAME = koby/kaka	DESIGNED - KK	REVISED -
PLOT SCALE = 40,0000 * / in.	DRAWN - GM	REVISED -
PLOT DATE = 6/30/2022	CHECKED - DD	REVISED -
	DATE - 06/30/2022	REVISED -

STATE OF ILLINOIS
 DEPARTMENT OF TRANSPORTATION

FIBER SPlicing DIAGRAM (SHEET 2 OF 5)
 IDOT D1 HQ, ROSELLE RD., IL 72 AND I-290

F.A. RTE.	SECTION	COUNTY	TOTAL SHEETS	SHEET NO.
VAR.	2022 TRAFFIC 01	COOK	241	225
CONTRACT NO. 62R81				
ILLINOIS FED. AID PROJECT				

SCALE: SHEET OF SHEETS STA. TO STA.

"FOR REFERENCE ONLY"

RECORD DRAWINGS
HECKER AND COMPANY, INC.
Kevin Gersak Date: 07/13/20

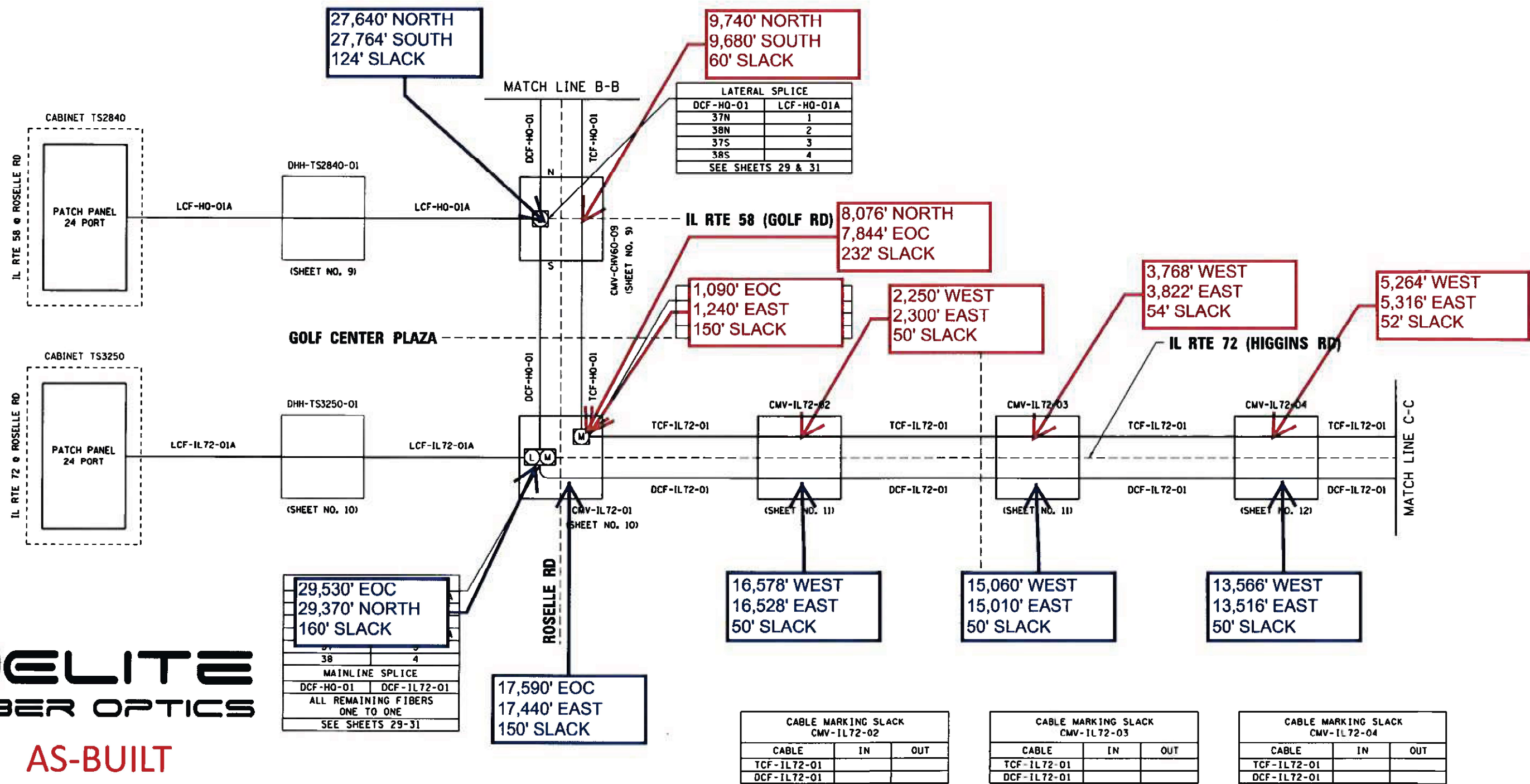


CABLE MARKING SLACK CMV-CHV60-09		
CABLE	IN	OUT
TCF-HO-01		
DCF-HO-01		
LCF-HO-01A		

CABLE MARKING SLACK DHH-TS2840-01		
CABLE	IN	OUT
LCF-HO-01A		

CABLE MARKING SLACK CMV-IL72-01		
CABLE	IN	OUT
TCF-HO-01		
DCF-HO-01		
TCF-IL72-01		
DCF-IL72-01		
LCF-IL72-01A		

CABLE MARKING SLACK DHH-TS3250-01		
CABLE	IN	OUT
LCF-IL72-01A		



USER NAME = koby/kaka	DESIGNED - KK	REVISED -
PLOT SCALE = 40,0000 * / in.	DRAWN - GM	REVISED -
PLOT DATE = 6/30/2022	CHECKED - DD	REVISED -
	DATE - 06/30/2022	REVISED -

STATE OF ILLINOIS
DEPARTMENT OF TRANSPORTATION

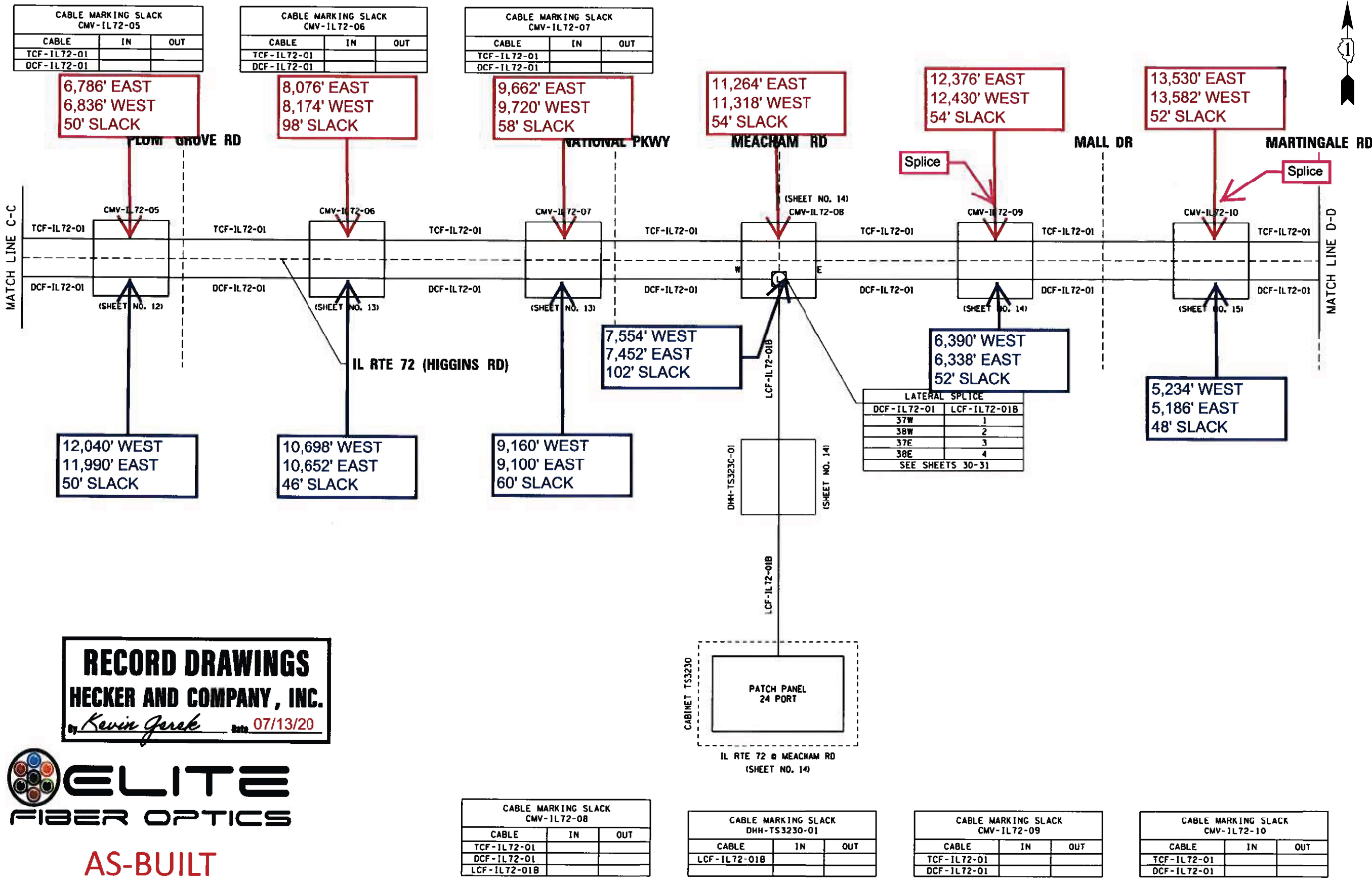
FIBER SPLICING DIAGRAM (SHEET 3 OF 5)
IDOT D1 HQ, ROSELLE RD., IL 72 AND I-290

SCALE: SHEET OF SHEETS STA. TO STA.

F.A. RTE.	SECTION	COUNTY	TOTAL SHEETS	SHEET NO.
VAR.	2022 TRAFFIC 01	COOK	241	226
				CONTRACT NO. 62R81
ILLINOIS FED. AID PROJECT				

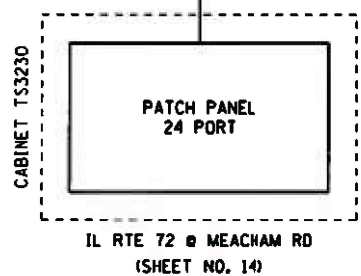
MODEL: Default
 FILE: \\na101p01\public\aw_bentley.com\PI\IDOT\Documents\IDOT Office\Drawings\11060321115476\CADD\Drawings\115476-01-03.dgn

"FOR REFERENCE ONLY"



RECORD DRAWINGS
HECKER AND COMPANY, INC.
Kevin Jurek Date **07/13/20**

ELITE
FIBER OPTICS
AS-BUILT



MODEL: Default
 FILE: \\na16p...
 MODEL: Default
 FILE: \\na16p...

USER NAME = koby/kaka	DESIGNED - KK	REVISED -
DRAWN - GM	REVISIONS -	
PLOT SCALE = 40,0000 * / in.	CHECKED - DD	REVISED -
PLOT DATE = 6/30/2022	DATE - 06/30/2022	REVISED -

STATE OF ILLINOIS
DEPARTMENT OF TRANSPORTATION

FIBER SPLICING DIAGRAM (SHEET 4 OF 5)			
IDOT D1 HQ, ROSELLE RD., IL 72 AND I-290			
SCALE:	SHEET	OF SHEETS	STA. TO STA.

F.A. RTE.	SECTION	COUNTY	TOTAL SHEETS	SHEET NO.
VAR.	2022 TRAFFIC 01	COOK	241	227
CONTRACT NO. 62R81				
ILLINOIS FED. AID PROJECT				

"FOR REFERENCE ONLY"

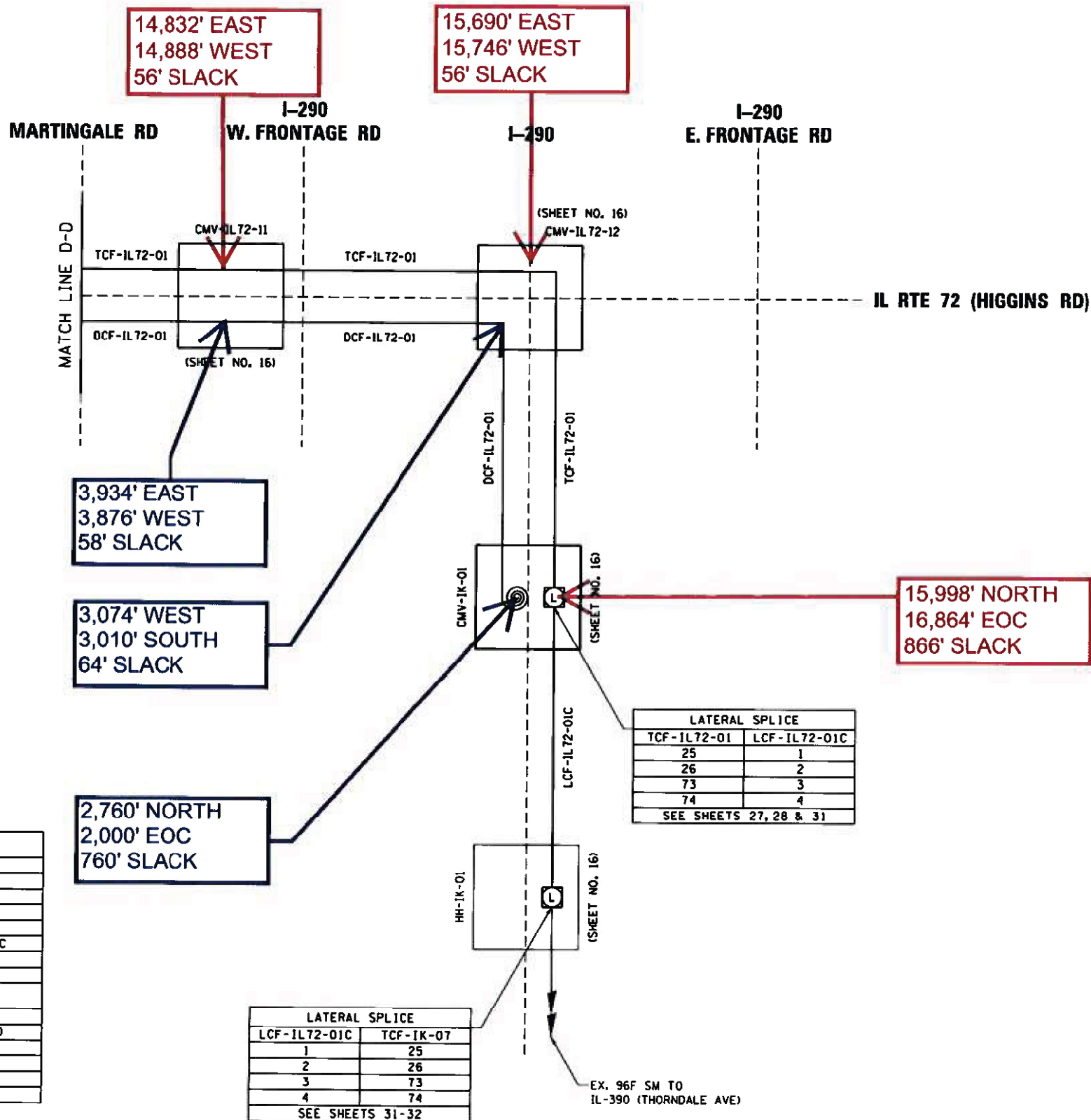


CABLE MARKING SLACK CMV-IL72-11		
CABLE	IN	OUT
TCF-IL72-01		
DCF-IL72-01		

CABLE MARKING SLACK CMV-IL72-12		
CABLE	IN	OUT
TCF-IL72-01		
DCF-IL72-01		

CABLE MARKING SLACK CMV-1K-01		
CABLE	IN	OUT
TCF-IL72-01		
DCF-IL72-01		
LCF-IL72-01C		

CABLE MARKING SLACK HH-1K-01		
CABLE	IN	OUT
LCF-IL72-01C		



AS-BUILT

RECORD DRAWINGS
HECKER AND COMPANY, INC.
Kevin Jarak Date 07/13/20

PREFIX	COMPONENT
JB	JUNCTION BOX
CMV	COMMUNICATIONS VAULT
HH	HANDHOLE
DHH	DOUBLE HANDHOLE
TCF	TRUNK CABLE, FIBER OPTIC
DCF	DISTRIBUTION CABLE, FIBER OPTIC
LCF	LATERAL CABLE, FIBER OPTIC

PREFIX	LOCATION
HQ	HEADQUARTERS (DISTRICT 1)
CHV60	COUNTY HIGHWAY V60 (ROSELLE RD)
IL72	IL RTE 72 (HIGGINS RD)
1K	EISENHOWER EXPY (I-290)
TS----	TRAFFIC SIGNAL CABINET

USER NAME = koby/kaka	DESIGNED - KK	REVISED -
PLOT SCALE = 40,0000' / in.	DRAWN - GM	REVISED -
PLOT DATE = 6/30/2022	CHECKED - DD	REVISED -
	DATE - 06/30/2022	REVISED -

STATE OF ILLINOIS
DEPARTMENT OF TRANSPORTATION

FIBER SPlicing DIAGRAM (SHEET 5 OF 5)	
IDOT D1 HQ, ROSELLE RD., IL 72 AND I-290	
SCALE:	SHEET OF SHEETS STA. TO STA.

F.A. RTE.	SECTION	COUNTY	TOTAL SHEETS	SHEET NO.
VAR.	2022 TRAFFIC 01	COOK	241	228
CONTRACT NO. 62R81				
ILLINOIS FED. AID PROJECT				

MODEL: Default
 FILE: \\naufc-pw-beadefy.com\p\idot\Documents\IDOT Office\Drawings\1106032115476\CADD\Drawings\1106032115476-1K-01-03.dgn

FOR REFERENCE ONLY

TRUNK CABLE FIBER ASSIGNMENTS				ORIGINATION		D1 HEADQUARTERS	
TRUNK CABLE DESIGNATION		TCF-HQ-01		DESTINATION		CMV-1L72-01	
BUFFER TUBE	FIBER	FIBER NO.	ASSIGNMENT	BUFFER TUBE	FIBER	FIBER NO.	ASSIGNMENT
BLUE	Blue	1		SLATE	Blue	1	49
	Orange	2			Orange	2	50
	Green	3			Green	3	51
	Brown	4			Brown	4	52
	Slate	5			Slate	5	53
	White	6			White	6	54
	Red	7			Red	7	55
	Black	8			Black	8	56
	Yellow	9			Yellow	9	57
	Violet	10			Violet	10	58
	Rose	11			Rose	11	59
	Aqua	12			Aqua	12	60
ORANGE	Blue	1		WHITE	Blue	1	61
	Orange	2			Orange	2	62
	Green	3			Green	3	63
	Brown	4			Brown	4	64
	Slate	5			Slate	5	65
	White	6			White	6	66
	Red	7			Red	7	67
	Black	8			Black	8	68
	Yellow	9			Yellow	9	69
	Violet	10			Violet	10	70
	Rose	11			Rose	11	71
	Aqua	12			Aqua	12	72
GREEN	Blue	1	DIHQ TO JRTC IDOT LAN (HIGGINS-ROSELLE)	RED	Blue	1	73 VDS
	Orange	2	DIHQ TO JRTC IDOT LAN (HIGGINS-ROSELLE)		Orange	2	74 VDS
	Green	3			Green	3	75
	Brown	4			Brown	4	76
	Slate	5			Slate	5	77
	White	6			White	6	78
	Red	7			Red	7	79
	Black	8			Black	8	80
	Yellow	9			Yellow	9	81
	Violet	10			Violet	10	82
	Rose	11			Rose	11	83
	Aqua	12			Aqua	12	84
BROWN	Blue	1		BLACK	Blue	1	85
	Orange	2			Orange	2	86
	Green	3			Green	3	87
	Brown	4			Brown	4	88
	Slate	5			Slate	5	89
	White	6			White	6	90
	Red	7			Red	7	91
	Black	8			Black	8	92
	Yellow	9			Yellow	9	93
	Violet	10			Violet	10	94
	Rose	11			Rose	11	95
	Aqua	12			Aqua	12	96

MODEL: Default
 FILE: \\na16c-pw-bentley.com\P\INDOT\Documents\DOT Office\Dir\rdet_11\p06cct115476\CAD\Draw\Traffic\T15476-INT-1-2.dgn

USER NAME = koby/lkaka	DESIGNED - KK	REVISED -
DRAWN - GM	CHECKED - DD	REVISED -
PLOT SCALE = 40,0000 */ in.	DATE - 06/30/2022	REVISED -
PLOT DATE = 6/30/2022		

STATE OF ILLINOIS
DEPARTMENT OF TRANSPORTATION

FIBER ASSIGNMENTS
144 FIBER TRUNK CABLE

SCALE: SHEET OF SHEETS STA. TO STA.

F.A. RTE.	SECTION	COUNTY	TOTAL SHEETS	SHEET NO.
VAR.	2022 TRAFFIC 01	COOK	241	229
CONTRACT NO. 62R81				
ILLINOIS FED. AID PROJECT				

FOR REFERENCE ONLY

TRUNK CABLE FIBER ASSIGNMENTS			
TRUNK CABLE DESIGNATION		TCF-HQ-01	
BUFFER TUBE	FIBER	FIBER NO.	ASSIGNMENT
YELLOW	Blue	1	97
	Orange	2	98
	Green	3	99
	Brown	4	100
	Slate	5	101
	White	6	102
	Red	7	103
	Black	8	104
	Yellow	9	105
	Violet	10	106
	Rose	11	107
	Aqua	12	108
VIOLET	Blue	1	109
	Orange	2	110
	Green	3	111
	Brown	4	112
	Slate	5	113
	White	6	114
	Red	7	115
	Black	8	116
	Yellow	9	117
	Violet	10	118
	Rose	11	119
	Aqua	12	120
ROSE	Blue	1	121
	Orange	2	122
	Green	3	123
	Brown	4	124
	Slate	5	125
	White	6	126
	Red	7	127
	Black	8	128
	Yellow	9	129
	Violet	10	130
	Rose	11	131
	Aqua	12	132
AQUA	Blue	1	133
	Orange	2	134
	Green	3	135
	Brown	4	136
	Slate	5	137
	White	6	138
	Red	7	139
	Black	8	140
	Yellow	9	141
	Violet	10	142
	Rose	11	143
	Aqua	12	144

MODEL: Default
 FILE: \\nafe-pw-bentley.com\PWDOT\Documents\DOT Office\Drawings\Projects\15476\CAD\Drawings\15476-INT-1-2.dgn

USER NAME = koby/kaka	DESIGNED - KK	REVISED -
PLOT SCALE = 40,0000 */ in.	DRAWN - GM	REVISED -
PLOT DATE = 6/30/2022	CHECKED - DD	REVISED -
	DATE - 06/30/2022	REVISED -

**STATE OF ILLINOIS
DEPARTMENT OF TRANSPORTATION**

FIBER ASSIGNMENTS 144 FIBER TRUNK CABLE			
SCALE:	SHEET	OF	SHEETS
	STA.		TO STA.

F.A. RTE.	SECTION	COUNTY	TOTAL SHEETS	SHEET NO.
VAR.	2022 TRAFFIC 01	COOK	241	230
CONTRACT NO. 62R81				
ILLINOIS FED. AID PROJECT				

FOR REFERENCE ONLY

TRUNK CABLE FIBER ASSIGNMENTS				ORIGINATION CMV-1L72-01			
TRUNK CABLE DESIGNATION		TCF-1L72-01		DESTINATION		CMV-1K-01	
BUFFER TUBE	FIBER	FIBER NO.	ASSIGNMENT	BUFFER TUBE	FIBER	FIBER NO.	ASSIGNMENT
BLUE	Blue	1		SLATE	Blue	1	49
	Orange	2			Orange	2	50
	Green	3			Green	3	51
	Brown	4			Brown	4	52
	Slate	5			Slate	5	53
	White	6			White	6	54
	Red	7			Red	7	55
	Black	8			Black	8	56
	Yellow	9			Yellow	9	57
	Violet	10			Violet	10	58
	Rose	11			Rose	11	59
	Aqua	12			Aqua	12	60
ORANGE	Blue	1		WHITE	Blue	1	61
	Orange	2			Orange	2	62
	Green	3			Green	3	63
	Brown	4			Brown	4	64
	Slate	5			Slate	5	65
	White	6			White	6	66
	Red	7			Red	7	67
	Black	8			Black	8	68
	Yellow	9			Yellow	9	69
	Violet	10			Violet	10	70
	Rose	11			Rose	11	71
	Aqua	12			Aqua	12	72
GREEN	Blue	1	DIHQ TO JRTC IDOT LAN (HIGGINS-ROSELLE)	RED	Blue	1	73 VDS
	Orange	2	DIHQ TO JRTC IDOT LAN (HIGGINS-ROSELLE)		Orange	2	74 VDS
	Green	3			Green	3	75
	Brown	4			Brown	4	76
	Slate	5			Slate	5	77
	White	6			White	6	78
	Red	7			Red	7	79
	Black	8			Black	8	80
	Yellow	9			Yellow	9	81
	Violet	10			Violet	10	82
	Rose	11			Rose	11	83
	Aqua	12			Aqua	12	84
BROWN	Blue	1		BLACK	Blue	1	85
	Orange	2			Orange	2	86
	Green	3			Green	3	87
	Brown	4			Brown	4	88
	Slate	5			Slate	5	89
	White	6			White	6	90
	Red	7			Red	7	91
	Black	8			Black	8	92
	Yellow	9			Yellow	9	93
	Violet	10			Violet	10	94
	Rose	11			Rose	11	95
	Aqua	12			Aqua	12	96

MODEL: Default
 FILE: \\mifp01-pw-backend.com\P\IDOT\Documents\IDOT Office\Dir\rdet_11\p06c31154716\CAD\Draw\Traffic\154716-ink-tcf-3.dgn

USER NAME = koby/kaka	DESIGNED - KK	REVISED -
PLOT SCALE = 40,0000 */ in.	DRAWN - GM	REVISED -
PLOT DATE = 6/30/2022	CHECKED - DD	REVISED -
	DATE - 06/30/2022	REVISED -

STATE OF ILLINOIS
DEPARTMENT OF TRANSPORTATION

FIBER ASSIGNMENTS
144 FIBER TRUNK CABLE

SCALE: SHEET OF SHEETS STA. TO STA.

F.A. RTE.	SECTION	COUNTY	TOTAL SHEETS	SHEET NO.
VAR.	2022 TRAFFIC 01	COOK	241	231
CONTRACT NO. 62R81				
ILLINOIS FED. AID PROJECT				

FOR REFERENCE ONLY

TRUNK CABLE FIBER ASSIGNMENTS			
TRUNK CABLE DESIGNATION		TCF-IL72-01	
BUFFER TUBE	FIBER	FIBER NO.	ASSIGNMENT
YELLOW	Blue	1	97
	Orange	2	98
	Green	3	99
	Brown	4	100
	Slate	5	101
	White	6	102
	Red	7	103
	Black	8	104
	Yellow	9	105
	Violet	10	106
	Rose	11	107
	Aqua	12	108
VIOLET	Blue	1	109
	Orange	2	110
	Green	3	111
	Brown	4	112
	Slate	5	113
	White	6	114
	Red	7	115
	Black	8	116
	Yellow	9	117
	Violet	10	118
	Rose	11	119
	Aqua	12	120
ROSE	Blue	1	121
	Orange	2	122
	Green	3	123
	Brown	4	124
	Slate	5	125
	White	6	126
	Red	7	127
	Black	8	128
	Yellow	9	129
	Violet	10	130
	Rose	11	131
	Aqua	12	132
AQUA	Blue	1	133
	Orange	2	134
	Green	3	135
	Brown	4	136
	Slate	5	137
	White	6	138
	Red	7	139
	Black	8	140
	Yellow	9	141
	Violet	10	142
	Rose	11	143
	Aqua	12	144

MODEL: Default
 FILE NAME: p:\ultra-cw-bentley.com\PIV\DOT\Documents\DOT\offices\Dir\rdet_11\poc\ctt115476\CAD\DATA\Traffic\T115476\cont-fc-3.dgn

USER NAME = koby/kaka	DESIGNED - KK	REVISED -
PLOT SCALE = 40,0000 */ in.	DRAWN - GM	REVISED -
PLOT DATE = 6/30/2022	CHECKED - DD	REVISED -
	DATE - 06/30/2022	REVISED -

**STATE OF ILLINOIS
DEPARTMENT OF TRANSPORTATION**

**FIBER ASSIGNMENTS
144 FIBER TRUNK CABLE**

SCALE: SHEET OF SHEETS STA. TO STA.

F.A. RTE.	SECTION	COUNTY	TOTAL SHEETS	SHEET NO.
VAR.	2022 TRAFFIC 01	COOK	241	232
			CONTRACT NO. 62R81	
		ILLINOIS FED. AID PROJECT		

FOR REFERENCE ONLY

DISTRIBUTION CABLE FIBER ASSIGNMENTS				ORIGINATION		D1 HEADQUARTERS	
DISTRIBUTION CABLE DESIGNATION		DCF-HQ-01		DESTINATION		CMV-IL72-01	
BUFFER TUBE	FIBER	FIBER NO.	ASSIGNMENT	BUFFER TUBE	FIBER	FIBER NO.	ASSIGNMENT
BLUE	Blue	1		SLATE	Blue	1	49
	Orange	2			Orange	2	50
	Green	3			Green	3	51
	Brown	4			Brown	4	52
	Slate	5			Slate	5	53
	White	6			White	6	54
	Red	7			Red	7	55
	Black	8			Black	8	56
	Yellow	9			Yellow	9	57
	Violet	10			Violet	10	58
	Rose	11			Rose	11	59
	Aqua	12			Aqua	12	60
ORANGE	Blue	1		WHITE	Blue	1	61
	Orange	2			Orange	2	62
	Green	3			Green	3	63
	Brown	4			Brown	4	64
	Slate	5			Slate	5	65
	White	6			White	6	66
	Red	7			Red	7	67
	Black	8			Black	8	68
	Yellow	9			Yellow	9	69
	Violet	10			Violet	10	70
	Rose	11			Rose	11	71
	Aqua	12			Aqua	12	72
GREEN	Blue	1		RED	Blue	1	73
	Orange	2			Orange	2	74
	Green	3			Green	3	75
	Brown	4			Brown	4	76
	Slate	5			Slate	5	77
	White	6			White	6	78
	Red	7			Red	7	79
	Black	8			Black	8	80
	Yellow	9			Yellow	9	81
	Violet	10			Violet	10	82
	Rose	11			Rose	11	83
	Aqua	12			Aqua	12	84
BROWN	Blue	1	TRAFFIC SIGNAL CONTROLLER - PTZ CAMERA	BLACK	Blue	1	85
	Orange	2	TRAFFIC SIGNAL CONTROLLER - PTZ CAMERA		Orange	2	86
	Green	3			Green	3	87
	Brown	4			Brown	4	88
	Slate	5			Slate	5	89
	White	6			White	6	90
	Red	7			Red	7	91
	Black	8			Black	8	92
	Yellow	9			Yellow	9	93
	Violet	10			Violet	10	94
	Rose	11			Rose	11	95
	Aqua	12			Aqua	12	96

MODEL: Default
 FILE: \\mifc-pw-bentley.com\PWD\DOT\Documents\DOT\Office\Dir\rdet_11\poc\ct115476\CAD\Drawn\Traffic\T15476-INT-1-2.dgn

USER NAME = koby/kaka	DESIGNED - KK	REVISED -
	DRAWN - GM	REVISED -
PLOT SCALE = 40,0000 */ in.	CHECKED - DD	REVISED -
PLOT DATE = 6/30/2022	DATE - 06/30/2022	REVISED -

STATE OF ILLINOIS
DEPARTMENT OF TRANSPORTATION

FIBER ASSIGNMENTS
96 FIBER DISTRIBUTION CABLE

SCALE: SHEET OF SHEETS STA. TO STA.

F.A. RTE.	SECTION	COUNTY	TOTAL SHEETS	SHEET NO.
VAR.	2022 TRAFFIC 01	COOK	241	233
CONTRACT NO. 62R81				
ILLINOIS FED. AID PROJECT				

FOR REFERENCE ONLY

DISTRIBUTION CABLE FIBER ASSIGNMENTS				ORIGINATION		CMV-IL72-01	
DISTRIBUTION CABLE DESIGNATION		DCF-IL72-01		DESTINATION		CMV-1K-01	
BUFFER TUBE	FIBER	FIBER NO.	ASSIGNMENT	BUFFER TUBE	FIBER	FIBER NO.	ASSIGNMENT
BLUE	Blue	1		SLATE	Blue	1	49
	Orange	2			Orange	2	50
	Green	3			Green	3	51
	Brown	4			Brown	4	52
	Slate	5			Slate	5	53
	White	6			White	6	54
	Red	7			Red	7	55
	Black	8			Black	8	56
	Yellow	9			Yellow	9	57
	Violet	10			Violet	10	58
	Rose	11			Rose	11	59
	Aqua	12			Aqua	12	60
ORANGE	Blue	1		WHITE	Blue	1	61
	Orange	2			Orange	2	62
	Green	3			Green	3	63
	Brown	4			Brown	4	64
	Slate	5			Slate	5	65
	White	6			White	6	66
	Red	7			Red	7	67
	Black	8			Black	8	68
	Yellow	9			Yellow	9	69
	Violet	10			Violet	10	70
	Rose	11			Rose	11	71
	Aqua	12			Aqua	12	72
GREEN	Blue	1		RED	Blue	1	73
	Orange	2			Orange	2	74
	Green	3			Green	3	75
	Brown	4			Brown	4	76
	Slate	5			Slate	5	77
	White	6			White	6	78
	Red	7			Red	7	79
	Black	8			Black	8	80
	Yellow	9			Yellow	9	81
	Violet	10			Violet	10	82
	Rose	11			Rose	11	83
	Aqua	12			Aqua	12	84
BROWN	Blue	1	TRAFFIC SIGNAL CONTROLLER - PTZ CAMERA	BLACK	Blue	1	85
	Orange	2	TRAFFIC SIGNAL CONTROLLER - PTZ CAMERA		Orange	2	86
	Green	3			Green	3	87
	Brown	4			Brown	4	88
	Slate	5			Slate	5	89
	White	6			White	6	90
	Red	7			Red	7	91
	Black	8			Black	8	92
	Yellow	9			Yellow	9	93
	Violet	10			Violet	10	94
	Rose	11			Rose	11	95
	Aqua	12			Aqua	12	96

MODEL: Default
 FILE NAME: p:\projects\paw_bentley.com\PIV\DOT\Documents\DOT_Offices\Dir\dir_11\p06c311154716\CAD\DATA\Traffic\TI154716-INT-1-2.dgn

USER NAME = kobyjlkaka	DESIGNED - KK	REVISED -
DRAWN - GM	CHECKED - DD	REVISED -
PLOT SCALE = 40,0000 * / in.	DATE - 06/30/2022	REVISED -
PLOT DATE = 6/30/2022		

STATE OF ILLINOIS
DEPARTMENT OF TRANSPORTATION

FIBER ASSIGNMENTS	
96 FIBER DISTRIBUTION CABLE	
SCALE:	SHEET OF SHEETS STA. TO STA.

F.A. RTE.	SECTION	COUNTY	TOTAL SHEETS	SHEET NO.
VAR.	2022 TRAFFIC 01	COOK	241	234
CONTRACT NO. 62R81				
ILLINOIS FED. AID PROJECT				

FOR REFERENCE ONLY

LATERAL CABLE FIBER ASSIGNMENTS <i>IL58/Roselle Rd Sheet #9</i>		
LATERAL CABLE DESIGNATION		LCF-HQ-D1A
FIBER NO.	FUNCTION	CONNECTION
1	TRAFFIC SIGNAL CONTROLLER - PTZ CAMERA	DCF-HQ-01-37N
2	TRAFFIC SIGNAL CONTROLLER - PTZ CAMERA	DCF-HQ-01-38N
3	TRAFFIC SIGNAL CONTROLLER - PTZ CAMERA	DCF-HQ-01-37S
4	TRAFFIC SIGNAL CONTROLLER - PTZ CAMERA	DCF-HQ-01-38S
5		
6		
7		
8		
9		
10		
11		
12		
13		
14		
15		
16		
17		
18		
19		
20		
21		
22		
23		
24		

LATERAL CABLE FIBER ASSIGNMENTS		
LATERAL CABLE DESIGNATION		LCF-IL72-01B <i>Meacham / Higgins</i>
FIBER NO.	FUNCTION	CONNECTION
1	TRAFFIC SIGNAL CONTROLLER - PTZ CAMERA	DCF-IL72-01-37W
2	TRAFFIC SIGNAL CONTROLLER - PTZ CAMERA	DCF-IL72-01-38W
3	TRAFFIC SIGNAL CONTROLLER - PTZ CAMERA	DCF-IL72-01-37E
4	TRAFFIC SIGNAL CONTROLLER - PTZ CAMERA	DCF-IL72-01-38E
5		
6		
7		
8		
9		
10		
11		
12		
13		
14		
15		
16		
17		
18		
19		
20		
21		
22		
23		
24		

LATERAL CABLE FIBER ASSIGNMENTS <i>Roselle / Higgins Sheet #10</i>		
LATERAL CABLE DESIGNATION		LCF-IL72-01A
FIBER NO.	FUNCTION	CONNECTION
1	TRAFFIC SIGNAL CONTROLLER - PTZ CAMERA	DCF-HQ-01-37
2	TRAFFIC SIGNAL CONTROLLER - PTZ CAMERA	DCF-HQ-01-38
3	TRAFFIC SIGNAL CONTROLLER - PTZ CAMERA	DCF-IL72-01-37
4	TRAFFIC SIGNAL CONTROLLER - PTZ CAMERA	DCF-IL72-01-38
5		
6		
7		
8		
9		
10		
11		
12		
13		
14		
15		
16		
17		
18		
19		
20		
21		
22		
23		
24		

LATERAL CABLE FIBER ASSIGNMENTS		
LATERAL CABLE DESIGNATION		LCF-IL72-01C
FIBER NO.	FUNCTION	CONNECTION
1	DIHO TO JRTC IODT LAN (HIGGINS-ROSELLE)	TCF-IL72-01-25 / TCF-1K-07-91
2	DIHO TO JRTC IODT LAN (HIGGINS-ROSELLE)	TCF-IL72-01-26 / TCF-1K-07-92
3	VDS	TCF-IL72-01-73 / TCF-1K-07-83
4	VDS	TCF-IL72-01-74 / TCF-1K-07-84
5		
6		
7		
8		
9		
10		
11		
12		
13		
14		
15		
16		
17		
18		
19		
20		
21		
22		
23		
24		

} A

MODEL: Default
 FILE: \\nafe-pw-bentley.com\FW\DOT\Documents\DOT Office\Dir\rdet - I:\projects\115476\CADD\Drawn\Traffic\115476-01-03.dgn

USER NAME = koby/kaka	DESIGNED - KK	REVISED -
DRAWN - GM	REVISIONS -	
PLOT SCALE = 40,0000 * / in.	CHECKED - DD	REVISIONS -
PLOT DATE = 6/30/2022	DATE - 06/30/2022	REVISIONS -

STATE OF ILLINOIS
DEPARTMENT OF TRANSPORTATION

FIBER ASSIGNMENTS
24 FIBER LATERAL CABLE

SCALE: SHEET OF SHEETS STA. TO STA.

F.A. RTE.	SECTION	COUNTY	TOTAL SHEETS	SHEET NO.
VAR.	2022 TRAFFIC 01	COOK	241	235
CONTRACT NO. 62R81				
ILLINOIS FED. AID PROJECT				

FOR REFERENCE ONLY

TRUNK CABLE FIBER ASSIGNMENTS				ORIGINATION		HH-1K-01	
TRUNK CABLE DESIGNATION		TCF-1K-07 (NORDIC TOWER)		DESTINATION			
BUFFER TUBE	FIBER	FIBER NO.	ASSIGNMENT	BUFFER TUBE	FIBER	FIBER NO.	ASSIGNMENT
BLUE	Blue	1	Cam 1K 29C	SLATE	Blue	1	49
	Orange	2	Surveillance Cabinets P129, N130, M124, L123, 118		Orange	2	50
	Green	3	Cam 1K 29A		Green	3	51
	Brown	4	Surveillance Cabinets 0127, 128, 123A, 119, 116		Brown	4	52
	Slate	5	Meridian Chasis RXF-02-03-CAM-10 (Cam 1K 28B)		Slate	5	53
	White	6	Surveillance Cabinets 0132, 126, 122, 121, 117		White	6	54
	Red	7	Meridian Chasis RXF-02-04-CAM-9 (Cam 1K 28A)		Red	7	55
	Black	8			Black	8	56
	Yellow	9			Yellow	9	57
	Violet	10	Meridian Chasis RXF-02-06-CAM-7 (Cam 1K 27A)		Violet	10	58
	Rose	11	Meridian Chasis RXF-02-07-CAM-6 (Cam 1K 27)		Rose	11	59
	Aqua	12	Meridian Chasis RXF-02-08-CAM-5 (Cam 1K 26A)		Aqua	12	60
ORANGE	Blue	1	Meridian Chasis RXF-02-09-CAM-8 (BOY/IK 26)	WHITE	Blue	1	61
	Orange	2	Meridian Chasis RXF-03-01-CAM-3 (Cam 1K 25B)		Orange	2	62
	Green	3	Meridian Chasis RXF-03-02-CAM-2 (Cam 1K 25A)		Green	3	63
	Brown	4			Brown	4	64
	Slate	5	Meridian Chasis RXF-01-01-Camera 19 IK 30B		Slate	5	65
	White	6	Meridian Chasis RXF-01-06-Camera 14 IK 29		White	6	66
	Red	7	Meridian Chasis RXF-01-05-Camera 15 IK 29B		Red	7	67
	Black	8	Meridian Chasis RXF-01-04-Camera 16 IK 29D		Black	8	68
	Yellow	9	Meridian Chasis RXF-01-03-Camera 17 IK 30		Yellow	9	69
	Violet	10	Meridian Chasis RXF-01-02-Camera 18 IK 30A		Violet	10	70
	Rose	11	Blesterfield DMS		Rose	11	71
	Aqua	12			Aqua	12	72
GREEN	Blue	1	DIHQ TO JRTC IDOT LAN (HIGGINS-ROSELLE)	RED	Blue	1	VDS
	Orange	2	DIHQ TO JRTC IDOT LAN (HIGGINS-ROSELLE)		Orange	2	VDS
	Green	3			Green	3	75
	Brown	4			Brown	4	76
	Slate	5			Slate	5	77
	White	6			White	6	78
	Red	7			Red	7	79
	Black	8			Black	8	80
	Yellow	9			Yellow	9	81
	Violet	10			Violet	10	82
	Rose	11			Rose	11	83
	Aqua	12			Aqua	12	84
BROWN	Blue	1	JRTC IDOT LAN TO DIHQ	BLACK	Blue	1	Optelecom Multiplexer 24 TRUNK
	Orange	2	JRTC IDOT LAN TO DIHQ		Orange	2	TELE-CONFERENCE TSC/Schaumburg Jumpered to Fiber Can 3 Port 15 to East
	Green	3	GCM HILLSIDE to DIHQ		Green	3	REVLAC DATA TO HQ Jumpered to Fiber Can 3 Port 1 to East
	Brown	4	GCM HILLSIDE to DIHQ		Brown	4	REVLAC DATA TO HQ Jumpered to Fiber Can 3 Port 2 to East
	Slate	5			Slate	5	IDOT LAN TO TSC Jumpered to Fiber Can 3 Port 87 to East
	White	6			White	6	IDOT LAN TO TSC Jumpered to Fiber Can 3 Port 88 to East
	Red	7	OC48 HILLSIDE to DIHQ		Red	7	REVLAC REDUNDANT FIBER Jumpered to Fiber Can 3 Port 91 to East
	Black	8	OC48 HILLSIDE to DIHQ		Black	8	REVLAC REDUNDANT FIBER Jumpered to Fiber Can 3 Port 92 to East
	Yellow	9			Yellow	9	I55 VDS Jumper to Fiber Can 5 Port 73 to South
	Violet	10			Violet	10	I55 VDS Jumper to Fiber Can 5 Port 74 to South
	Rose	11			Rose	11	IDOT HQ Jumpered to RuggedComm Port 10 TX I-80
	Aqua	12			Aqua	12	IDOT HQ Jumpered to RuggedComm Port 10 RX I-80

MODEL: Default
 FILE: \\na16c-pw-bentley.com\PWDOT\Documents\DOT Office\Drawings\1106031115476\CADD\Drawings\1106031115476-1K-07.dgn

USER NAME = kobyllaka	DESIGNED - KK	REVISED -
DRAWN - GM	CHECKED - DD	REVISED -
PLOT SCALE = 40,0000 */ in.	DATE - 06/30/2022	REVISED -
PLOT DATE = 6/30/2022		

**STATE OF ILLINOIS
DEPARTMENT OF TRANSPORTATION**

**FIBER ASSIGNMENTS
96 FIBER TRUNK CABLE**

SCALE: SHEET OF SHEETS STA. TO STA.

F.A. RTE.	SECTION	COUNTY	TOTAL SHEETS	SHEET NO.
VAR.	2022 TRAFFIC 01	COOK	241	236
CONTRACT NO. 62R81				
ILLINOIS FED. AID PROJECT				

FOR REFERENCE ONLY

LATERAL CABLE FIBER ASSIGNMENTS <i>IL58/Roselle Rd Sheet #9</i>		
LATERAL CABLE DESIGNATION		LCF-HQ-D1A
FIBER NO.	FUNCTION	CONNECTION
1	TRAFFIC SIGNAL CONTROLLER - PTZ CAMERA	DCF-HQ-01-37N
2	TRAFFIC SIGNAL CONTROLLER - PTZ CAMERA	DCF-HQ-01-38N
3	TRAFFIC SIGNAL CONTROLLER - PTZ CAMERA	DCF-HQ-01-37S
4	TRAFFIC SIGNAL CONTROLLER - PTZ CAMERA	DCF-HQ-01-38S
5		
6		
7		
8		
9		
10		
11		
12		
13		
14		
15		
16		
17		
18		
19		
20		
21		
22		
23		
24		

LATERAL CABLE FIBER ASSIGNMENTS		
LATERAL CABLE DESIGNATION		LCF-IL72-01B <i>Meacham / Higgins</i>
FIBER NO.	FUNCTION	CONNECTION
1	TRAFFIC SIGNAL CONTROLLER - PTZ CAMERA	DCF-IL72-01-37W
2	TRAFFIC SIGNAL CONTROLLER - PTZ CAMERA	DCF-IL72-01-38W
3	TRAFFIC SIGNAL CONTROLLER - PTZ CAMERA	DCF-IL72-01-37E
4	TRAFFIC SIGNAL CONTROLLER - PTZ CAMERA	DCF-IL72-01-38E
5		
6		
7		
8		
9		
10		
11		
12		
13		
14		
15		
16		
17		
18		
19		
20		
21		
22		
23		
24		

LATERAL CABLE FIBER ASSIGNMENTS <i>Roselle / Higgins Sheet #10</i>		
LATERAL CABLE DESIGNATION		LCF-IL72-01A
FIBER NO.	FUNCTION	CONNECTION
1	TRAFFIC SIGNAL CONTROLLER - PTZ CAMERA	DCF-HQ-01-37
2	TRAFFIC SIGNAL CONTROLLER - PTZ CAMERA	DCF-HQ-01-38
3	TRAFFIC SIGNAL CONTROLLER - PTZ CAMERA	DCF-IL72-01-37
4	TRAFFIC SIGNAL CONTROLLER - PTZ CAMERA	DCF-IL72-01-38
5		
6		
7		
8		
9		
10		
11		
12		
13		
14		
15		
16		
17		
18		
19		
20		
21		
22		
23		
24		

LATERAL CABLE FIBER ASSIGNMENTS		
LATERAL CABLE DESIGNATION		LCF-IL72-01C
FIBER NO.	FUNCTION	CONNECTION
1	DIHO TO JRTC IODT LAN (HIGGINS-ROSELLE)	TCF-IL72-01-25 / TCF-1K-07-91
2	DIHO TO JRTC IODT LAN (HIGGINS-ROSELLE)	TCF-IL72-01-26 / TCF-1K-07-92
3	VDS	TCF-IL72-01-73 / TCF-1K-07-83
4	VDS	TCF-IL72-01-74 / TCF-1K-07-84
5		
6		
7		
8		
9		
10		
11		
12		
13		
14		
15		
16		
17		
18		
19		
20		
21		
22		
23		
24		

} A

MODEL: Default
 FILE: \\na16p01\public\aw_bentley.com\PI\DOT\Documents\DOT Office\Dir\rdet - \Project\115476\CADD\Draw\Traffic\115476-1K-07-23.dgn

USER NAME = koby/kaka	DESIGNED - KK	REVISED -
	DRAWN - GM	REVISED -
PLOT SCALE = 40,0000 * / in.	CHECKED - DD	REVISED -
PLOT DATE = 6/30/2022	DATE - 06/30/2022	REVISED -

STATE OF ILLINOIS
DEPARTMENT OF TRANSPORTATION

FIBER ASSIGNMENTS			
24 FIBER LATERAL CABLE			
SCALE:	SHEET	OF SHEETS	STA. TO STA.

F.A. RTE.	SECTION	COUNTY	TOTAL SHEETS	SHEET NO.
VAR.	2022 TRAFFIC 01	COOK	241	237
CONTRACT NO. 62R81				
ILLINOIS FED. AID PROJECT				

FOR REFERENCE ONLY

TRUNK CABLE FIBER ASSIGNMENTS				ORIGINATION		HH-1K-01		
TRUNK CABLE DESIGNATION		TCF-1K-07 (NORDIC TOWER)		DESTINATION				
BUFFER TUBE	FIBER	FIBER NO.	ASSIGNMENT	BUFFER TUBE	FIBER	FIBER NO.	ASSIGNMENT	
BLUE	Blue	1	Cam 1K 29C	SLATE	Blue	1	49	
	Orange	2	Surveillance Cabinets P129, N130, M124, L123, 118		Orange	2	50	
	Green	3	Cam 1K 29A		Green	3	51	
	Brown	4	Surveillance Cabinets 0127, 128, 123A, 119, 116		Brown	4	52	
	Slate	5	Meridian Chasis RXF-02-03-CAM-10 (Cam 1K 28B)		Slate	5	53	
	White	6	Surveillance Cabinets 0132, 126, 122, 121, 117		White	6	54	
	Red	7	Meridian Chasis RXF-02-04-CAM-9 (Cam 1K 28A)		Red	7	55	
	Black	8			Black	8	56	
	Yellow	9			Yellow	9	57	
	Violet	10	Meridian Chasis RXF-02-06-CAM-7 (Cam 1K 27A)		Violet	10	58	
	Rose	11	Meridian Chasis RXF-02-07-CAM-6 (Cam 1K 27)		Rose	11	59	
	Aqua	12	Meridian Chasis RXF-02-08-CAM-5 (Cam 1K 26A)		Aqua	12	60	
ORANGE	Blue	1	Meridian Chasis RXF-02-09-CAM-8 (BOY/IK 26)	WHITE	Blue	1	61	
	Orange	2	Meridian Chasis RXF-03-01-CAM-3 (Cam 1K 25B)		Orange	2	62	
	Green	3	Meridian Chasis RXF-03-02-CAM-2 (Cam 1K 25A)		Green	3	63	
	Brown	4			Brown	4	64	
	Slate	5	Meridian Chasis RXF-01-01-Camera 19 IK 30B		Slate	5	65	
	White	6	Meridian Chasis RXF-01-06-Camera 14 IK 29		White	6	66	
	Red	7	Meridian Chasis RXF-01-05-Camera 15 IK 29B		Red	7	67	
	Black	8	Meridian Chasis RXF-01-04-Camera 16 IK 29D		Black	8	68	
	Yellow	9	Meridian Chasis RXF-01-03-Camera 17 IK 30		Yellow	9	69	
	Violet	10	Meridian Chasis RXF-01-02-Camera 18 IK 30A		Violet	10	70	
	Rose	11	Blesterfield DMS		Rose	11	71	
	Aqua	12			Aqua	12	72	
GREEN	Blue	1	DIHQ TO JRTC IDOT LAN (HIGGINS-ROSELLE)	RED	Blue	1	VDS	
	Orange	2	DIHQ TO JRTC IDOT LAN (HIGGINS-ROSELLE)		Orange	2	VDS	
	Green	3			Green	3	75	
	Brown	4			Brown	4	76	
	Slate	5			Slate	5	77	
	White	6			White	6	78	
	Red	7			Red	7	79	
	Black	8			Black	8	80	
	Yellow	9			Yellow	9	81	Lighting SCADA
	Violet	10			Violet	10	82	Lighting SCADA
	Rose	11			Rose	11	83	CISCO 3750 G4-CISCO 4506 DIHQ
	Aqua	12			Aqua	12	84	CISCO 3750 G4-CISCO 4506 DIHQ
BROWN	Blue	1	JRTC IDOT LAN TO DIHQ	BLACK	Blue	1	Optelecom Multiplexer 24 TRUNK	
	Orange	2	JRTC IDOT LAN TO DIHQ		Orange	2	86	TELE-CONFERENCE TSC/Schaumburg Jumpered to Fiber Can 3 Port 15 to East
	Green	3	GCM HILLSIDE to DIHQ		Green	3	87	REVLAC DATA TO HQ Jumpered to Fiber Can 3 Port 1 to East
	Brown	4	GCM HILLSIDE to DIHQ		Brown	4	88	REVLAC DATA TO HQ Jumpered to Fiber Can 3 Port 2 to East
	Slate	5			Slate	5	89	IDOT LAN TO TSC Jumpered to Fiber Can 3 Port 87 to East
	White	6			White	6	90	IDOT LAN TO TSC Jumpered to Fiber Can 3 Port 88 to East
	Red	7	OC48 HILLSIDE to DIHQ		Red	7	91	REVLAC REDUNDANT FIBER Jumpered to Fiber Can 3 Port 91 to East
	Black	8	OC48 HILLSIDE to DIHQ		Black	8	92	REVLAC REDUNDANT FIBER Jumpered to Fiber Can 3 Port 92 to East
	Yellow	9			Yellow	9	93	I55 VDS Jumper to Fiber Can 5 Port 73 to South
	Violet	10			Violet	10	94	I55 VDS Jumper to Fiber Can 5 Port 74 to South
	Rose	11			Rose	11	95	IDOT HQ Jumpered to RuggedComm Port 10 TX I-80
	Aqua	12			Aqua	12	96	IDOT HQ Jumpered to RuggedComm Port 10 RX I-80

MODEL: Default
 FILE: \\na16c-pw-bentley.com\P\INDOT\Documents\IDOT Office\Drawings\1106032115476\CADD\Drawings\1106032115476-1K-07.dgn

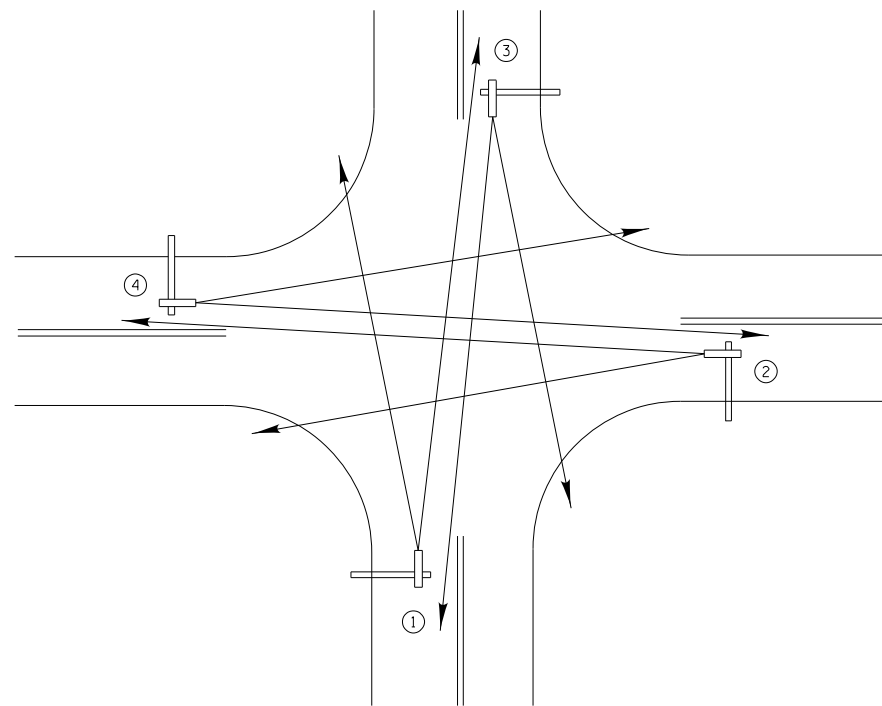
USER NAME = koby/kaka	DESIGNED - KK	REVISED -
DRAWN - GM	CHECKED - DD	REVISED -
PLOT SCALE = 40,0000 */ in.	DATE - 06/30/2022	REVISED -
PLOT DATE = 6/30/2022		

STATE OF ILLINOIS
DEPARTMENT OF TRANSPORTATION

FIBER ASSIGNMENTS
96 FIBER TRUNK CABLE

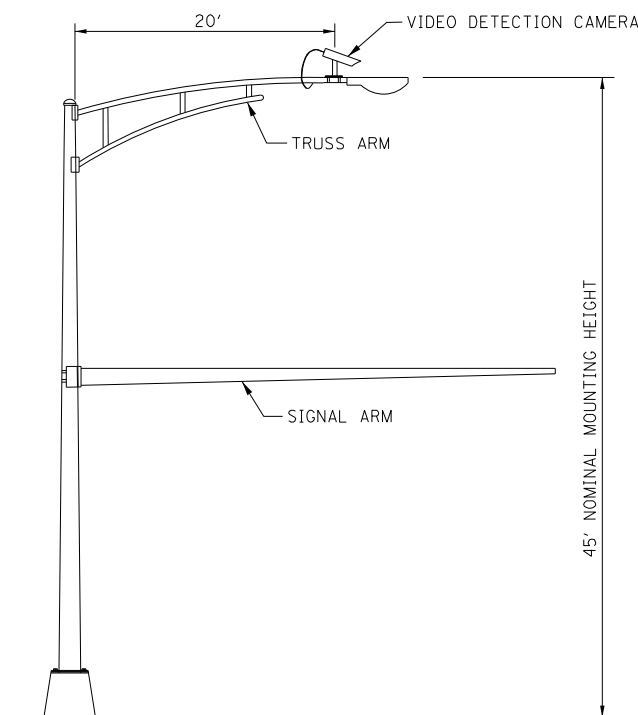
SCALE: SHEET OF SHEETS STA. TO STA.

F.A. RTE.	SECTION	COUNTY	TOTAL SHEETS	SHEET NO.
VAR.	2022 TRAFFIC 01	COOK	241	238
CONTRACT NO. 62R81				
ILLINOIS FED. AID PROJECT				

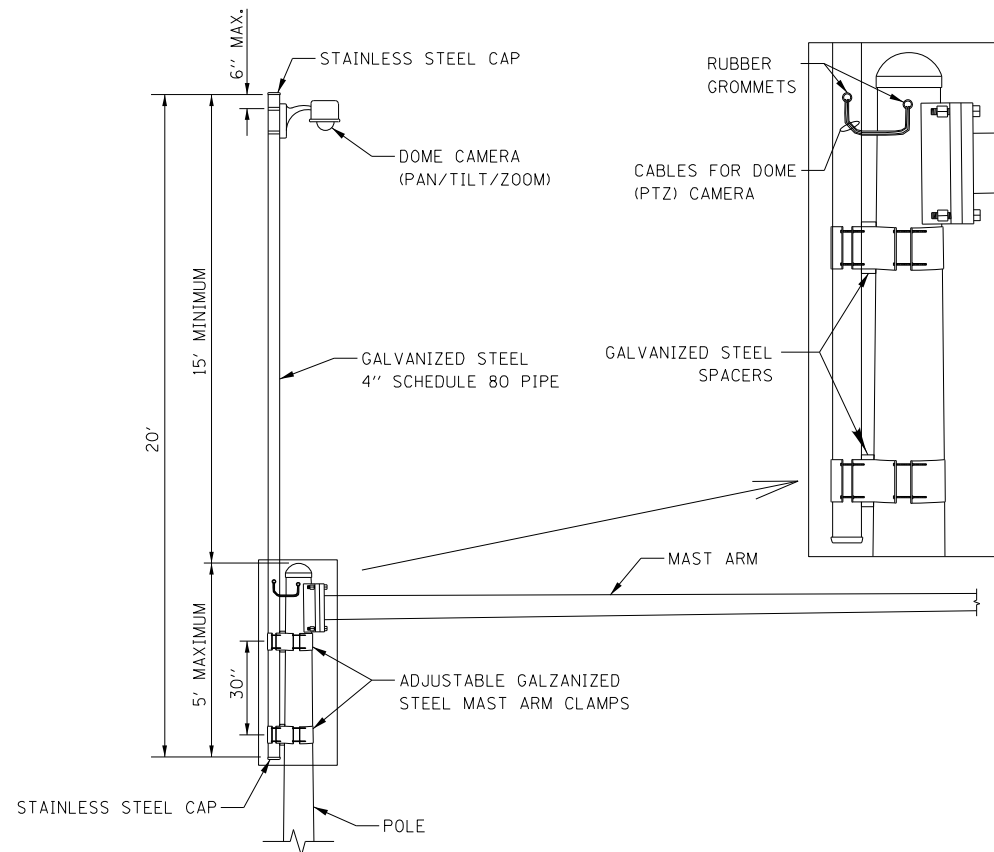


TYPICAL VIDEO VEHICLE
DETECTION SYSTEM
(NOT TO SCALE)

(4) VIDEO DETECTION CAMERA ASSEMBLIES AND BRACKETS ① ② ③ ④

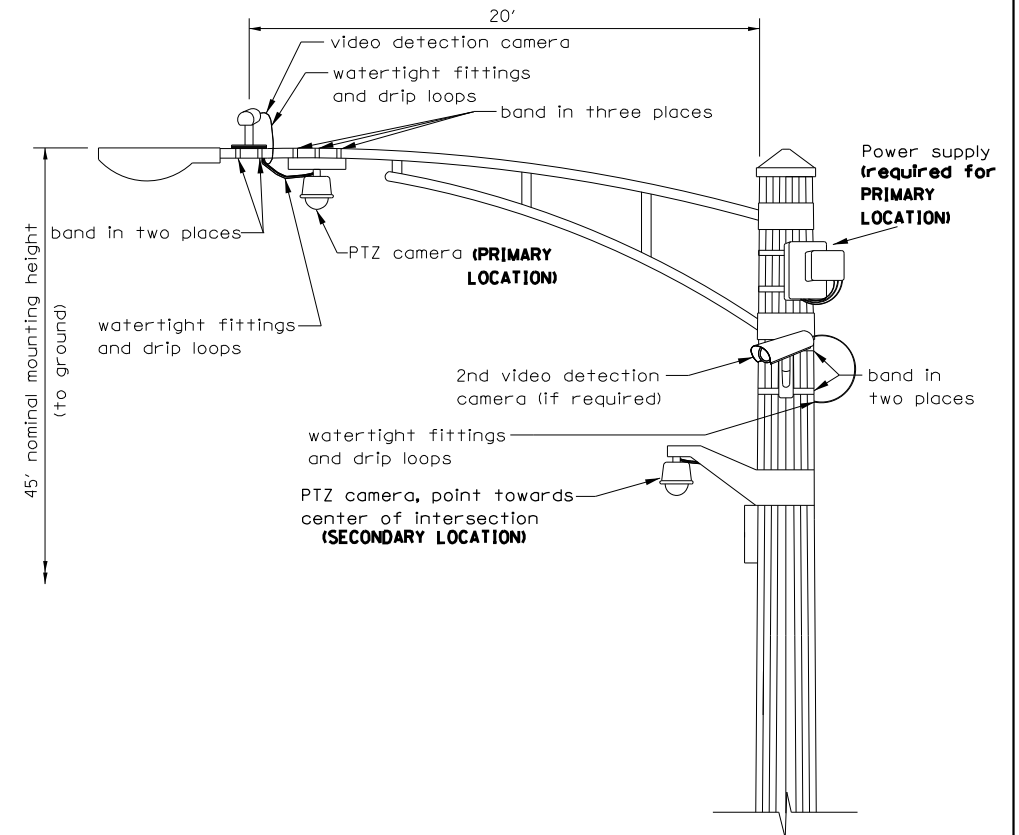


COMBINATION MAST ARM ASSEMBLY
AND POLE DIMENSIONS
(NOT TO SCALE)



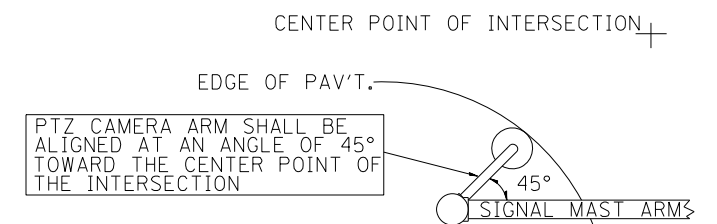
CAMERA MOUNTING ASSEMBLY DETAIL
(NOT TO SCALE)

- NOTES:
- THE MAST ARM IS TAPERED.
 - INSTALL EXTENSION POLE VERTICAL AND PLUMB BY MODIFYING/INSTALLING BRACKETS AS NECESSARY. ADDITIONAL SPACERS REQUIRED ARE INCLUDED IN THE COST OF THE CAMERA MOUNTING ASSEMBLY OF THE TYPE SPECIFIED.
 - SPACERS ARE TO BE INTEGRATED OR MANUFACTURED WITH THE MAST ARM BRACKETS



VIDEO DETECTION CAMERA(S) AND
DOME (PTZ) CAMERA MOUNTING DETAIL
(NOT TO SCALE)

- NOTES FOR SINGLE, DUAL AND MULTIPLE CAMERA MOUNTING:
- MOUNT LUMINAIRE MOUNTING BRACKET AS HIGH AS POSSIBLE.
 - MOUNT VIDEO DETECTION CAMERA AIMING DOWN TOWARD THE DIRECTION OF TRAFFIC TO BE DETECTED.



PTZ CAMERA MOUNTING DETAILS
(SECONDARY LOCATION)
(NO SCALE)

MODEL: Default
FILE NAME: p:\project\paw_benefits.com\p\w\dot\documents\DOT_office\dir\dtdt_11\project\115476\CADD\DATA\TRAFFIC\115476-sht-c1-2.dgn

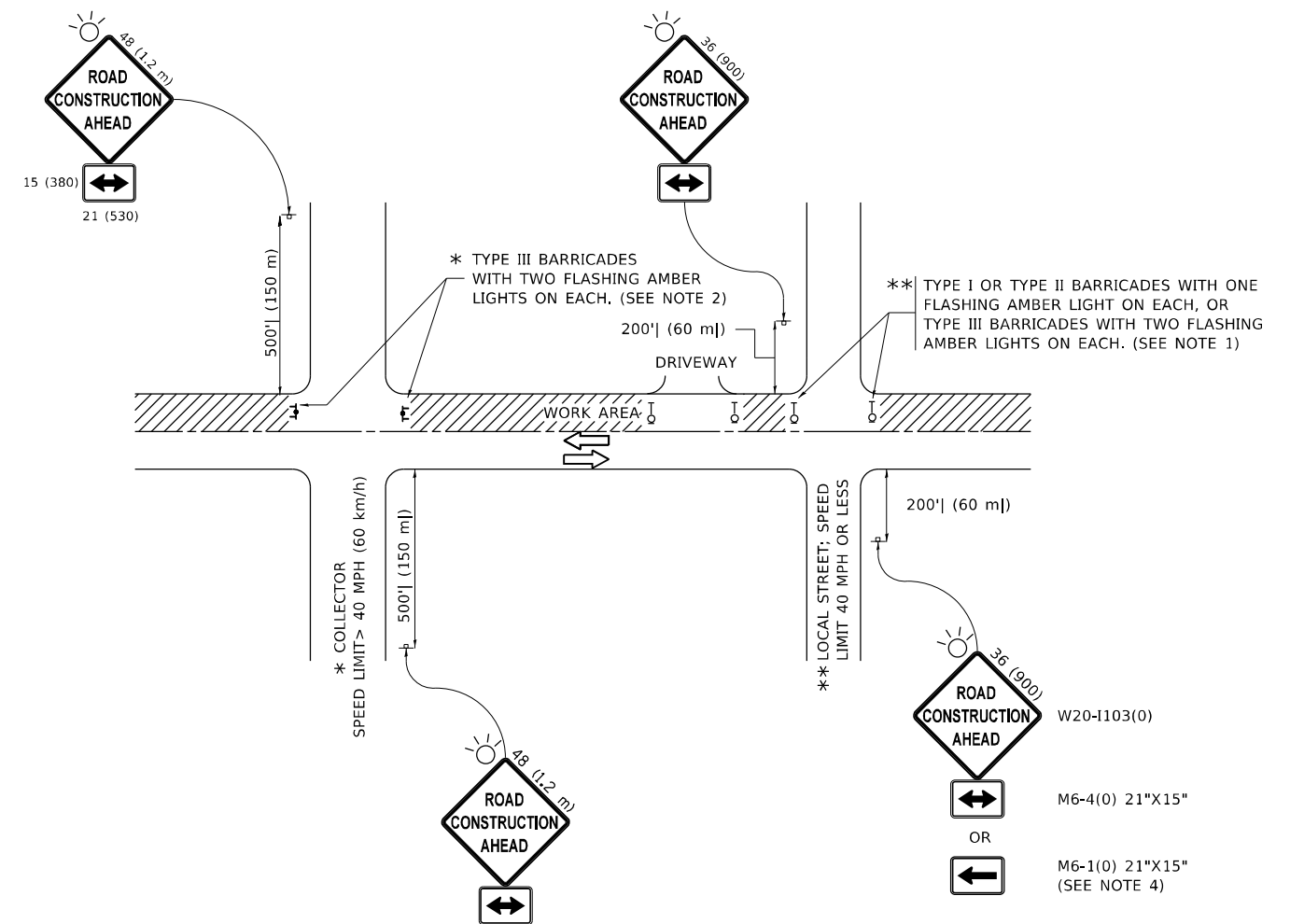
USER NAME = koby/kaka	DESIGNED - KK	REVISED -
PLOT SCALE = 40,0000 * / in.	DRAWN - KK	REVISED -
PLOT DATE = 6/30/2022	CHECKED - DD	REVISED -
	DATE - 06/30/2022	REVISED -

STATE OF ILLINOIS
DEPARTMENT OF TRANSPORTATION

CAMERA MOUNTING DETAIL

SCALE: SHEET OF SHEETS STA. TO STA.

F.A. RTE.	SECTION	COUNTY	TOTAL SHEETS	SHEET NO.
VAR.	2022 TRAFFIC 01	COOK	241	239
CONTRACT NO. 62R81				
ILLINOIS FED. AID PROJECT				



NOTES:

1. SIDE ROAD WITH A SPEED LIMIT OF 40 MPH (60 km/h) OR LESS AS SHOWN ON THE DRAWING AND AS DIRECTED BY THE ENGINEER:
 - a) ONE "ROAD CONSTRUCTION AHEAD" SIGN 36 x 36 (900x900) WITH A FLASHER MOUNTED ON IT APPROXIMATELY 200' (60 m) IN ADVANCE OF THE MAIN ROUTE.
 - b) THE CLOSED PORTION OF THE MAIN ROUTE SHALL BE PROTECTED BY BLOCKING WITH TYPE I, TYPE II OR TYPE III BARRICADES, 1/3 OF THE CROSS SECTION OF THE CLOSED PORTION.
2. SIDE ROAD WITH A SPEED LIMIT GREATER THAN 40 MPH (60 km/h) AS SHOWN ON THE DRAWING AND AS DIRECTED BY THE ENGINEER:
 - a) ONE "ROAD CONSTRUCTION AHEAD" SIGN 48 x 48 (1.2 m x 1.2 m) WITH A FLASHER MOUNTED ON IT APPROXIMATELY 500' (150 m) IN ADVANCE OF THE MAIN ROUTE.
 - b) BLOCKING WITH TYPE III BARRICADES, 1/2 OF THE CROSS SECTION OF THE CLOSED PORTION.
3. CONES MAY BE SUBSTITUTED FOR BARRICADES OR DRUMS AT HALF THE SPACING DURING DAY OPERATIONS. CONES SHALL BE A MINIMUM OF 28 (710) IN HEIGHT.
4. SIGNING AND THE WORK ZONE, A SINGLE HEADED ARROW (M6-1) SHALL BE USED IN LIEU OF THE DOUBLE HEADED ARROW (M6-4).
5. WHEN WORK IS BEING PERFORMED ON A SIDE ROAD OR DRIVEWAY, FOLLOW THE APPLICABLE STANDARD(S). THE DIRECTIONAL ARROW (M6-1 OR M6-4) SHALL BE COVERED OR REMOVED WHEN NO LONGER CONSISTENT WITH THE TRAFFIC CONTROL SET-UP.
6. ADVANCE WARNING SIGNS ARE TO BE OMITTED ON DRIVEWAYS UNLESS OTHERWISE SPECIFIED IN THE PLANS OR BY THE ENGINEER.
7. THE TRAFFIC CONTROL AND PROTECTION FOR SIDE ROADS, INTERSECTIONS, AND DRIVEWAYS SHALL BE INCLUDED IN THE COST OF SPECIFIED TRAFFIC CONTROL STANDARDS OR ITEMS.

All dimensions are in inches (millimeters) unless otherwise shown.

MODEL: Default
 FILE NAME: p:\project\paw_bentley.com\P\I\DOT\Documents\DOT Office\Dir\rdet_1\Project\115476\CADD\Draw\Traffic\115476-04-11-22.dgn

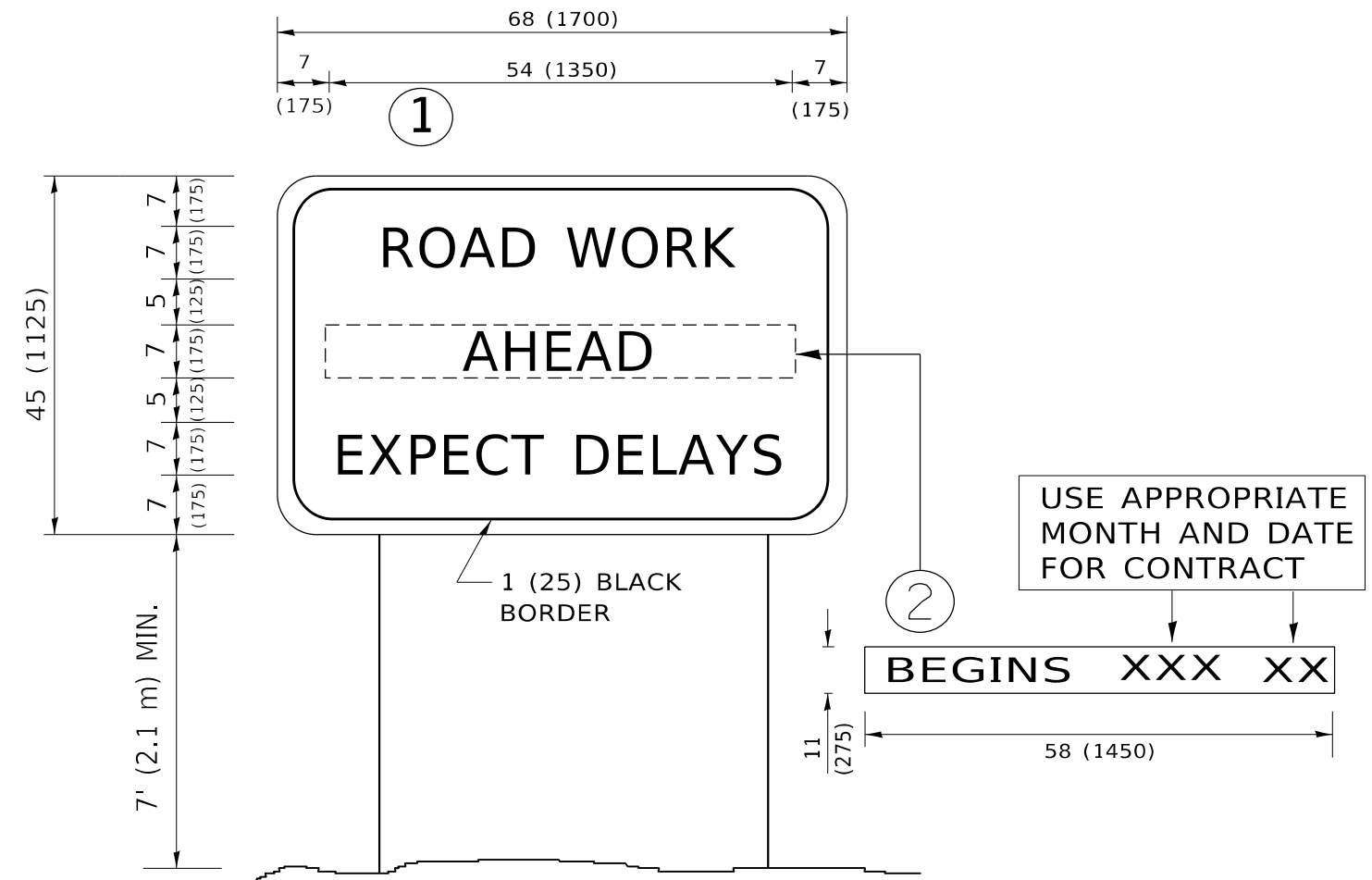
USER NAME = koby/kaka	DESIGNED - L.H.A.	REVISED - A. HOUSEH 10-15-96
PLOT SCALE = 40,0000 * / in.	CHECKED -	REVISED - T. RAMMACHER 01-06-00
PLOT DATE = 6/30/2022	DATE - 06-89	REVISED - A. SCHUETZE 07-01-13
		REVISED - A. SCHUETZE 09-15-16

**STATE OF ILLINOIS
DEPARTMENT OF TRANSPORTATION**

**TRAFFIC CONTROL AND PROTECTION FOR
SIDE ROADS, INTERSECTIONS, AND DRIVEWAYS**

SCALE: NONE SHEET 1 OF 1 SHEETS STA. TO STA.

F.A. RTE.	SECTION	COUNTY	TOTAL SHEETS	SHEET NO.
VAR.	2022 TRAFFIC 01	COOK	241	240
TC-10			CONTRACT NO. 62R81	
ILLINOIS FED. AID PROJECT				



NOTES:

1. USE BLACK LETTERING ON ORANGE BACKGROUND.
2. ERECT SIGNS IN ADVANCE OF THE LOCATION FOR THE "ROAD CONSTRUCTION AHEAD" SIGN AT LOCATIONS AS DIRECTED BY THE ENGINEER.
3. ERECT SIGN ① WITH INSTALLED PANEL ② ONE WEEK PRIOR TO THE START OF CONSTRUCTION.
4. REMOVE PANEL ② SOON AFTER THE START OF CONSTRUCTION.
5. SEE SPECIAL PROVISION FOR "TEMPORARY INFORMATION SIGNING" FOR ADDITIONAL INFORMATION.
6. ONE SIGN ASSEMBLY EQUALS 25.70 SQ. FT. (2.3 SQ. M.)
7. SHALL BE PAID FOR AS TEMPORARY INFORMATION SIGNING.

ALL DIMENSIONS ARE IN INCHES (MILLIMETERS) UNLESS OTHERWISE SHOWN.

MODEL: Default
 FILE: \\na11e1-pw\build-pw-beadley.com\P\W\DOT\Documents\DOT Office\Dir\rdet - I\Projects\115476\CAD\Drawn\Traffic\115476-sht-1-2.dgn

USER NAME = koby/kaka	DESIGNED -	REVISED - R. MIRS 09-15-97
	DRAWN -	REVISED - R. MIRS 12-11-97
PLOT SCALE = 40,0000 * / in.	CHECKED -	REVISED - T. RAMMACHER 02-02-99
PLOT DATE = 6/30/2022	DATE -	REVISED - C. JUCIUS 01-31-07

**STATE OF ILLINOIS
DEPARTMENT OF TRANSPORTATION**

**ARTERIAL ROAD
INFORMATION SIGN**

SCALE: NONE SHEET 1 OF 1 SHEETS STA. TO STA.

F.A. RTE.	SECTION	COUNTY	TOTAL SHEETS	SHEET NO.
VAR.	2022 TRAFFIC 01	COOK	241	241
TC-22			CONTRACT NO. 62R81	
ILLINOIS FED. AID PROJECT				