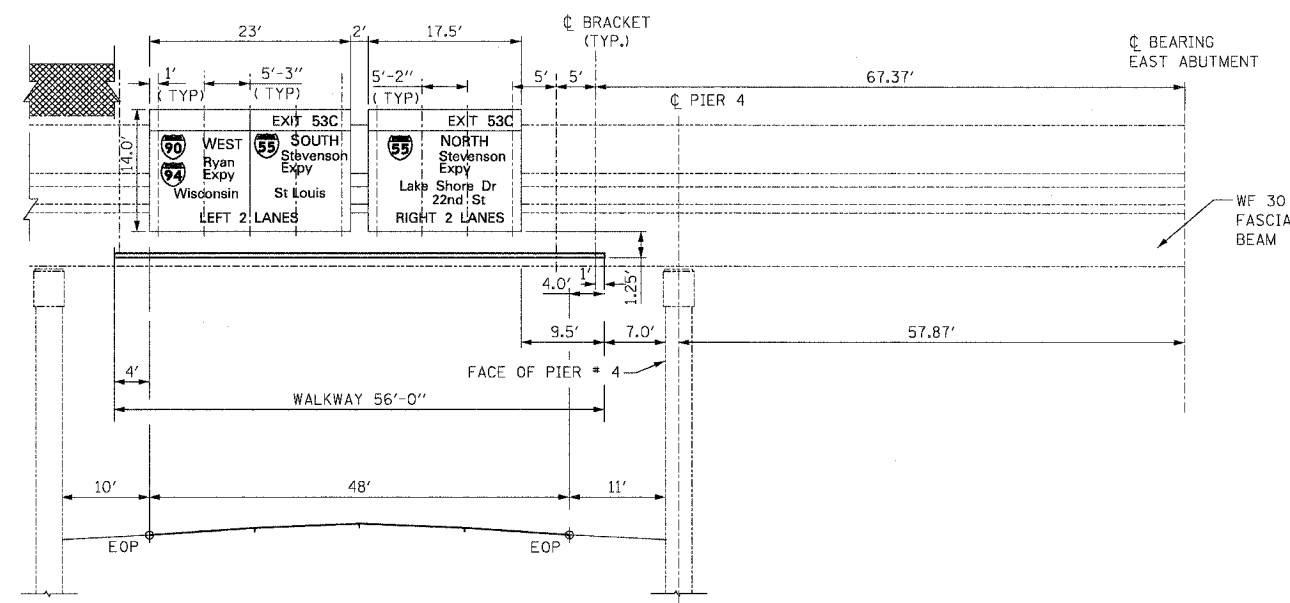
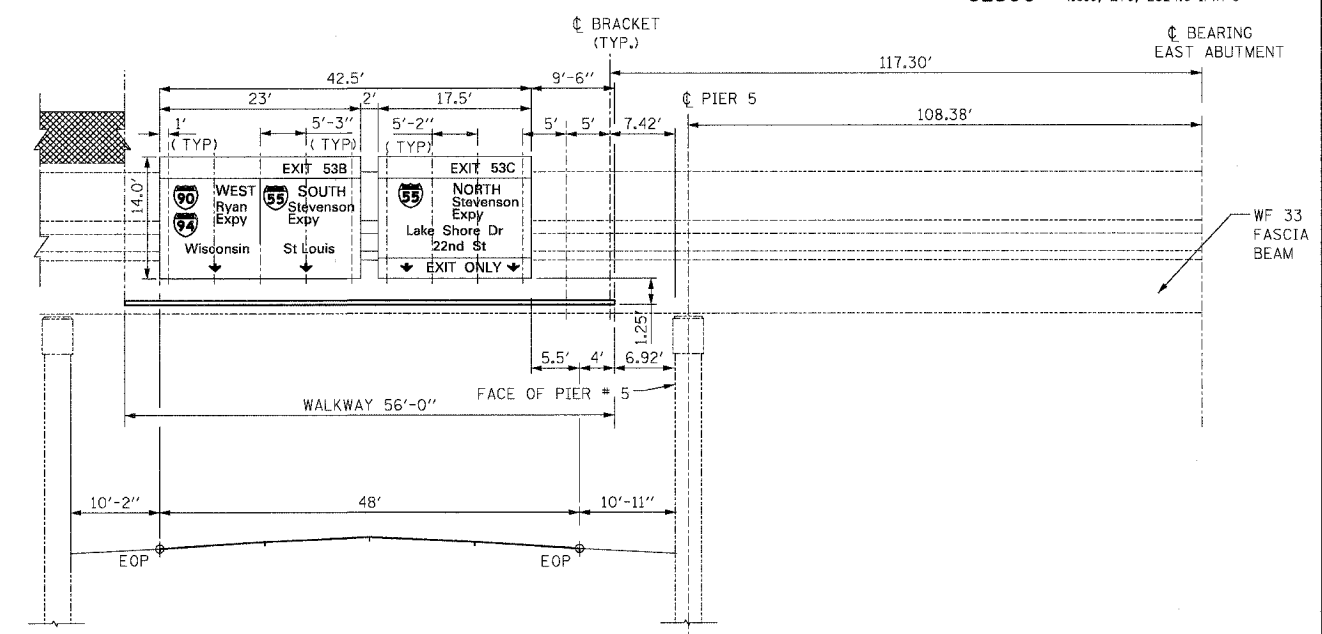


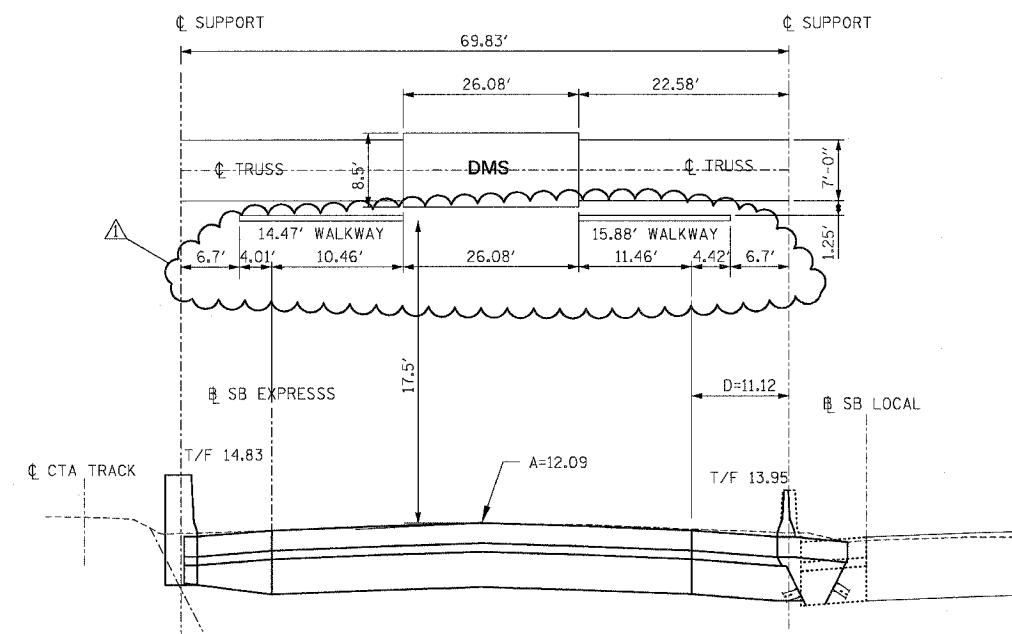
F.A.I. RTE.	SECTION	COUNTY	TOTAL SHEETS	SHEET NO.
94/90		COOK	556	287
STA.	TO STA.			
FED. ROAD DIST. NO. 1	ILLINOIS	FED. AID PROJECT		
62300	*(1818, ETC, 2324.6-1PIR-8			



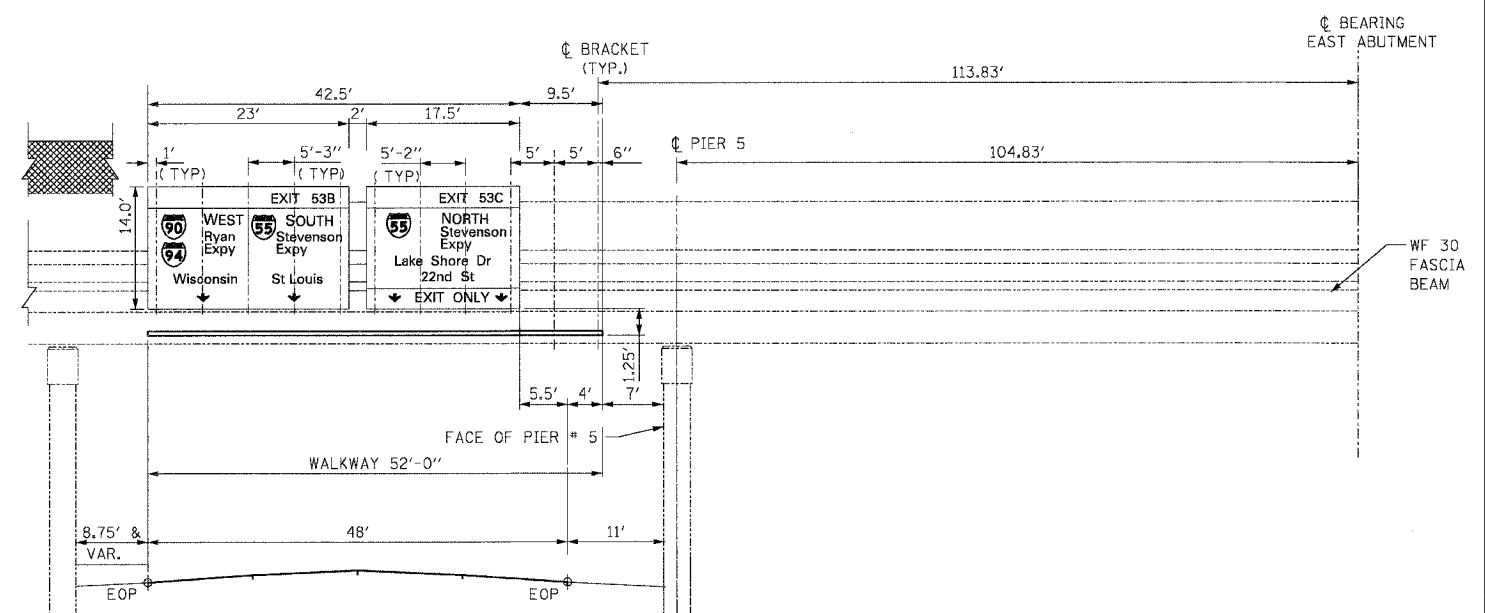
PERSHING ROAD (39TH ST) BRIDGE ELEVATION
 EXPRESS LANES NORTH BOUND
 1B0161094L055.73
 STA. 4582+26±



31st STREET BRIDGE ELEVATION
 EXPRESS LANES NORTH BOUND
 1B0161094L054.72
 STA. 4635+47±



1S0161094R055.41
 STA. 4598+65 (STA. 2598+58.71)
 I-94/90 NB LOOKING NORTH



33rd STREET BRIDGE ELEVATION
 EXPRESS LANES NORTH BOUND
 1B0161094L054.97
 STA. 4622+31±

REVISIONS	
NAME	DATE
ADDENDUM 1	8/12/05

ILLINOIS DEPARTMENT OF TRANSPORTATION
 F.A.I. 94/90 (DAN RYAN EXPRESSWAY)
 31ST STREET TO 71ST STREET
 NB EXPRESS LANE RECONSTRUCTION
 SIGN PLACEMENT DETAILS

SCALE: NONE
 DATE: 07/07/05
 DRAWN BY: WD
 CHECKED BY: MSA

K&E KAM ENGINEERING, INC.
 CONSULTING ENGINEERS
 707A Davis Road, Suite 205
 Egin, Illinois 60123-1369

8/11/2005 2:30:24 PM