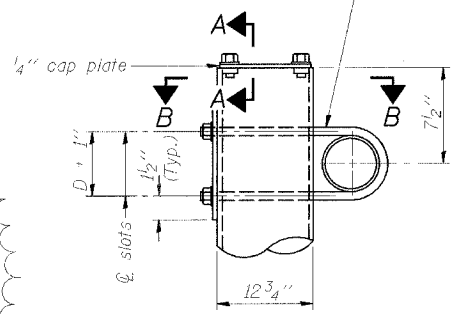
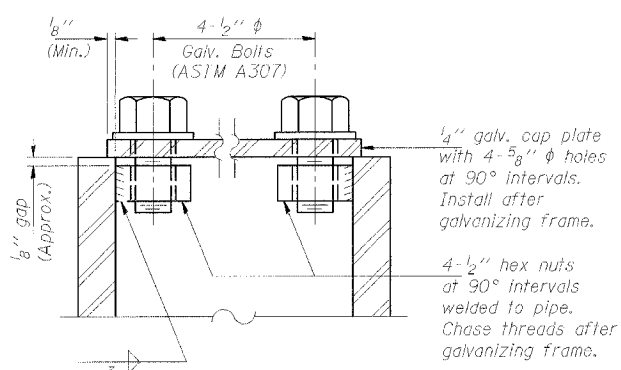


3/4"  $\phi$  stainless steel U-bolt. Provide two washers and two hexagon locknuts. (4)  
 1/16" x 2" slots on  $\phi$  12"  $\phi$  pipe. (4 slots required per pipe)

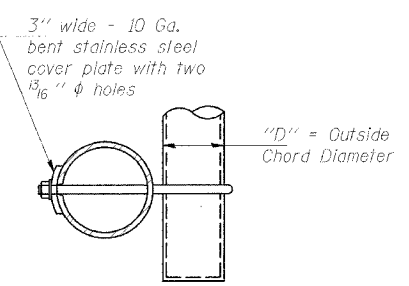


**DETAIL A**

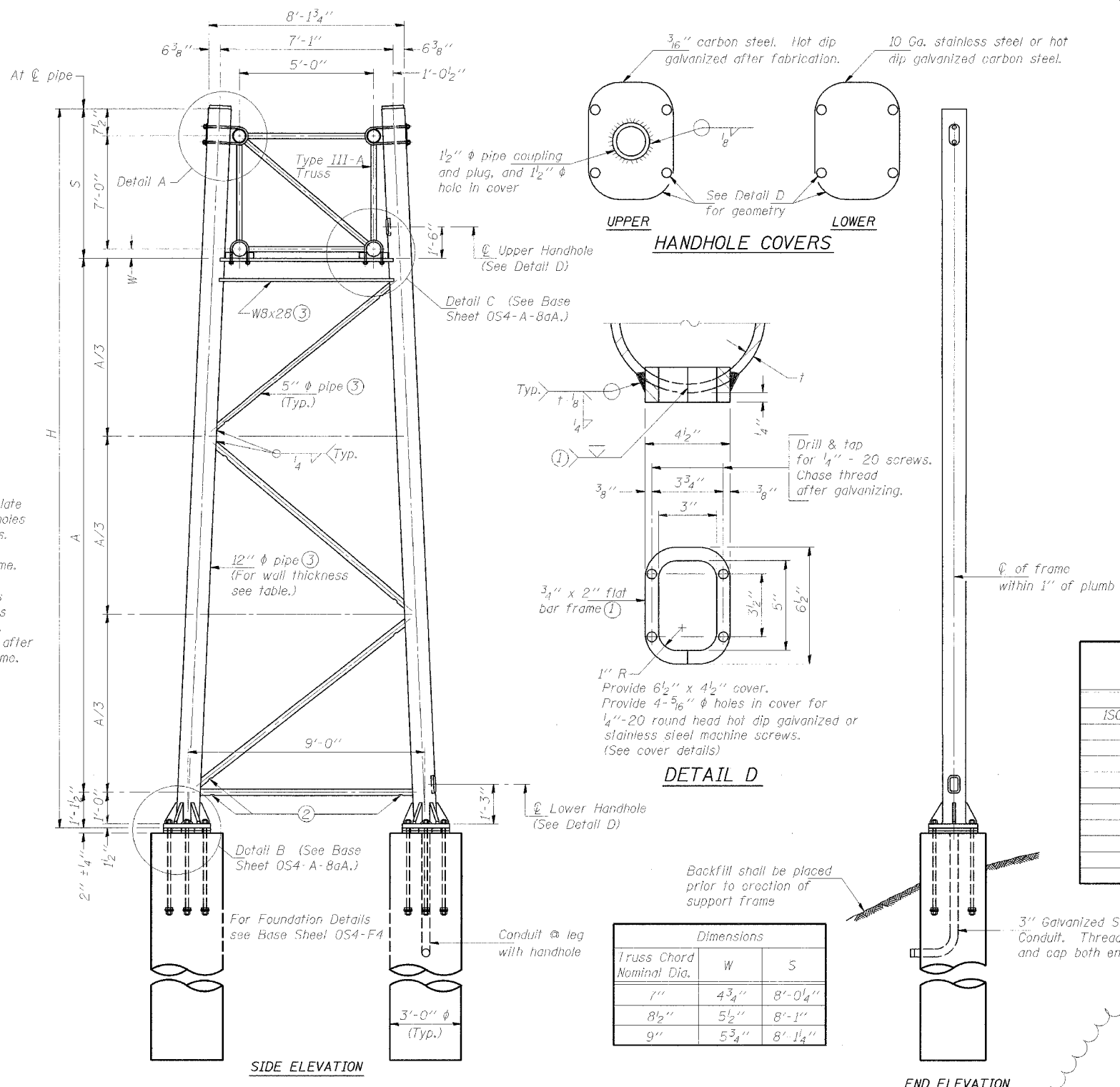


**SECTION A-A**

As an alternate to bolts, may use galvanized drive-fit caps installed after galvanizing frame.

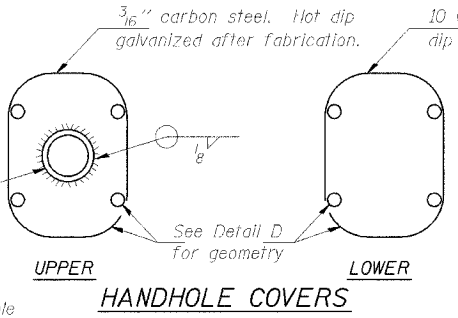


**SECTION B-B**

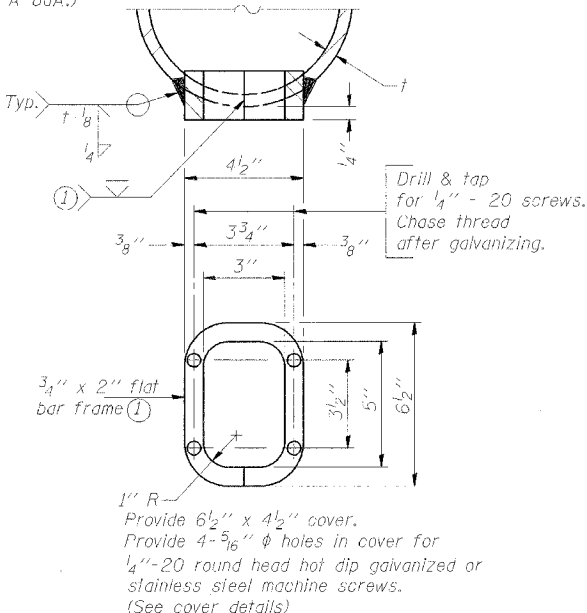


**SIDE ELEVATION**

**END ELEVATION**



**HANDHOLE COVERS**



**DETAIL D**

Dimensions		
Truss Chord Nominal Dia.	W	S
1"	4 3/4"	8'-0 1/4"
8 1/2"	5 1/2"	8'-1"
9"	5 3/4"	8'-1 1/4"

**TRUSS SUPPORT DETAILS**  
(12"  $\phi$  Pipe-Type III-A Truss)

Support Design Loads: See Base Sheet OS-A-1 for design and loading criteria.  
 Load combinations checked include deadload plus:  
 a) 100% wind normal to sign, 20% parallel to sign  
 b) 60% wind normal to sign, 30% parallel to sign

- In lieu of fabricated handhole frame as shown, may cut from 2" plate (rolling direction vertical). All cut faces to be ground to ANSI Roughness of 500  $\sqrt{in}$  or less.
- Galvanizing vent holes of adequate size shall be provided on underside at each end of bracing pipes. Alternately, holes may be provided in wall of pipe column. All vent holes shall be drilled and de-burred. (Typ.)
- Steel pipe, plate, carbon steel handhole covers and rolled sections shall be hot dip galvanized after fabrication. Painting is not permitted. See Base Sheet OS-A-1.
- See General Notes for fasteners.
- Dimensions shown are based on selection criteria in the Sign Structures Manual. Nonstandard applications must have dimensions verified or amended as appropriate.

Structure Number	Station	Support		Pipe Wall Thickness	H	A
		Left	Right			
ISO1610941.058.4	2442+20	X	X		25.31	18.72
					26.83	19.50

DESIGNED	RLK
CHECKED	EL
DRAWN	ABW
CHECKED	PJM

EXAMINED	20
PASSED	

NUMBER	REVISION	DATE
1	ADDENDUM 1	8/21/05

SGN-13A

**OVERHEAD SIGN STRUCTURES**  
**SUPPORT FRAME FOR TYPE III-A ALUMINUM TRUSS**

ILLINOIS DEPARTMENT OF TRANSPORTATION  
 F.A.I. 94/90 (DAN RYAN EXPRESSWAY)  
 31ST STREET TO 71ST STREET  
 NB EXPRESS LANE RECONSTRUCTION