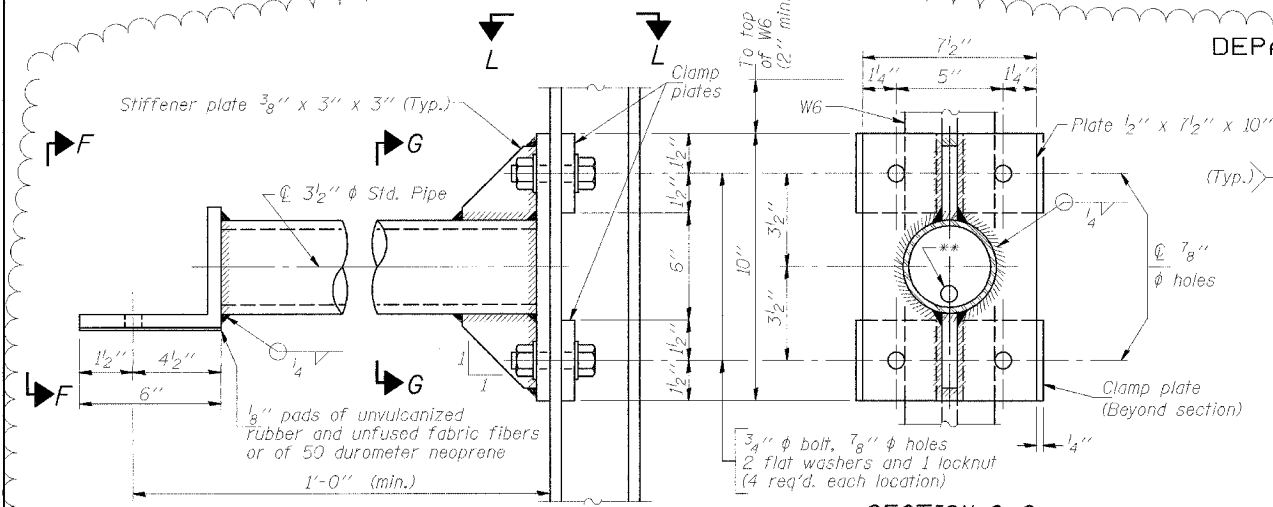


STATE OF ILLINOIS
DEPARTMENT OF TRANSPORTATION

ROUTE NO.	SECTION	COUNTY	TOTAL SHEETS	SHEET NO.
94/90	*	COOK	556	303
FED. ROAD DIST. NO.	ILLINOIS	FED. AID PROJECT		

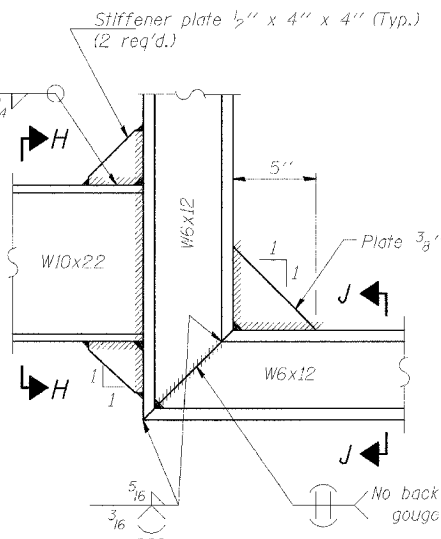
62300 * (1818, ETC, 2324.6-IPR-8)

SHEETS

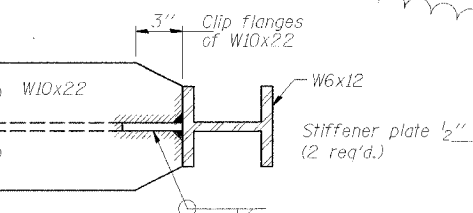


DETAIL A

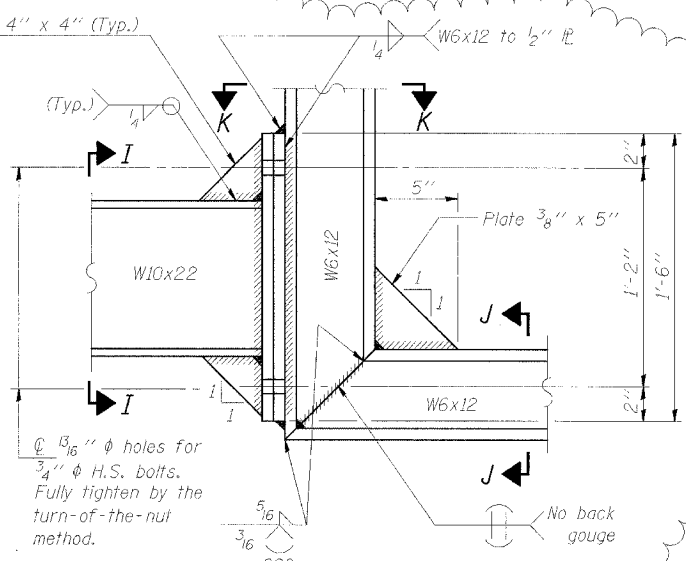
SECTION G-G



DETAIL B - WELDED
W10x22 TO W6x12 CONNECTION

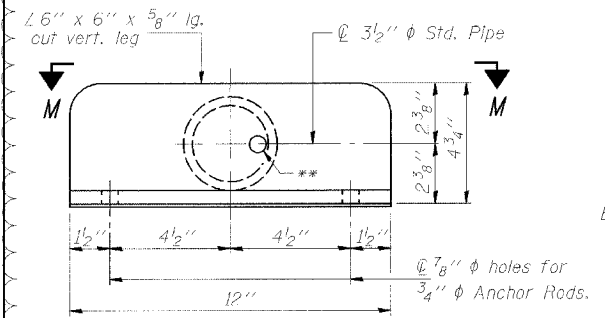


SECTION E-E



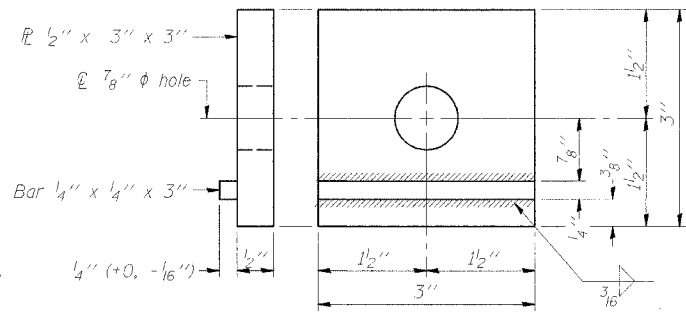
DETAIL B - ALTERNATE BOLTED
W10x22 TO W6x12 CONNECTION

Alternate may be substituted by contractor to facilitate construction or galvanizing, especially on long struts for skewed bridges.

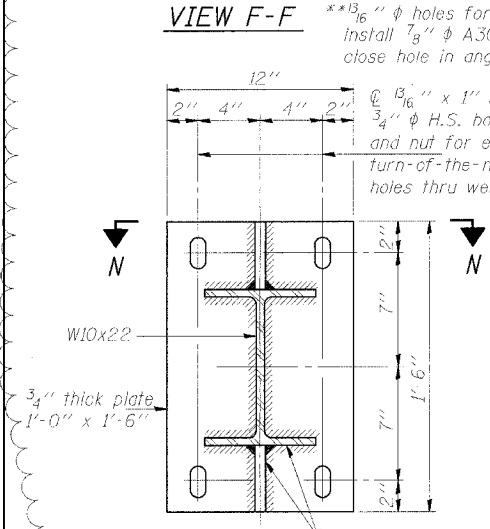


VIEW F-F

1/16" holes for galvanizing. After galvanizing, install 7/8" A307 hot-dip galvanized bolt to close hole in angle. (No bolt required in 1/2" plate.)

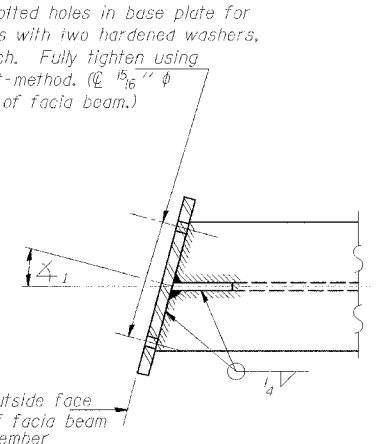


CLAMP PLATE DETAILS



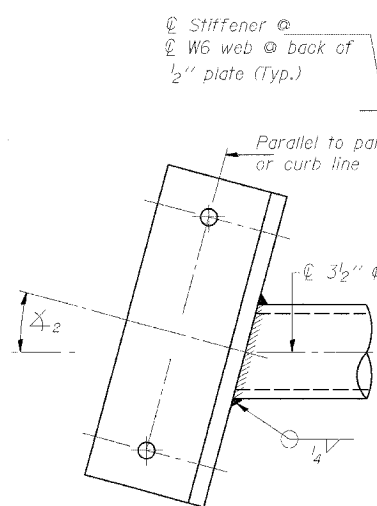
SECTION C-C

Steel beam or girder connection plate details



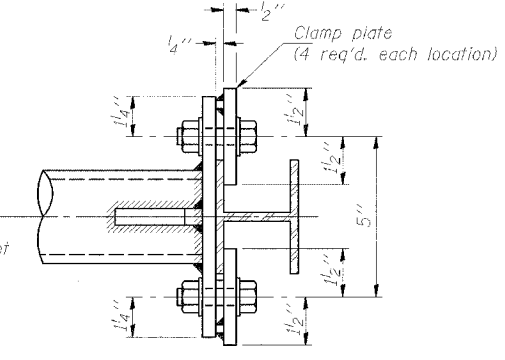
SECTION N-N

Skewed connection detail for W10x22 to fascia beam.

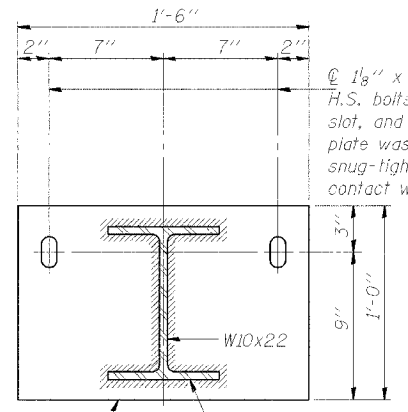


SECTION M-M

Skewed connection detail for 3/2" pipe to parapet.

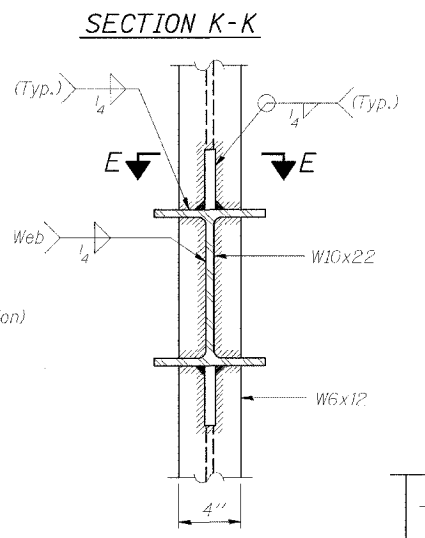


SECTION L-L



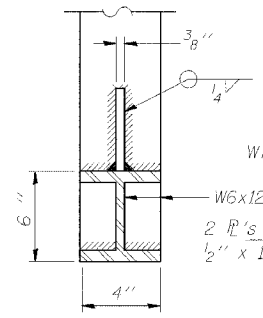
SECTION D-D

Concrete beam or girder connection plate details.

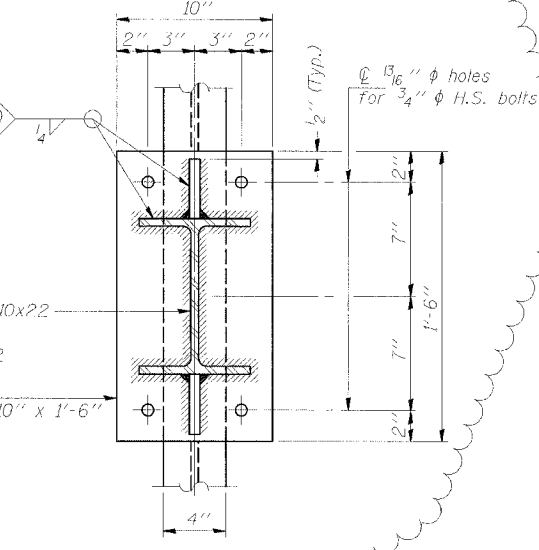


SECTION K-K

SECTION H-H



SECTION J-J



SECTION I-I

SGN-23

DESIGNED	RTK
CHECKED	EL
DRAWN	ABW
CHECKED	PJM

EXAMINED	20
PASSED	

NUMBER	REVISION	DATE
1	ADDENDUM 1	8/21/05

BM-3 Special 1/7/05

BRIDGE MOUNT SIGN STRUCTURES
CONNECTION DETAILS
ILLINOIS DEPARTMENT OF TRANSPORTATION
F.A.I. 94/90 (DAN RYAN EXPRESSWAY)
31ST STREET TO 71ST STREET
NB EXPRESS LANE RECONSTRUCTION
BRIDGE MOUNT SIGN STRUCTURES
CONNECTION DETAILS