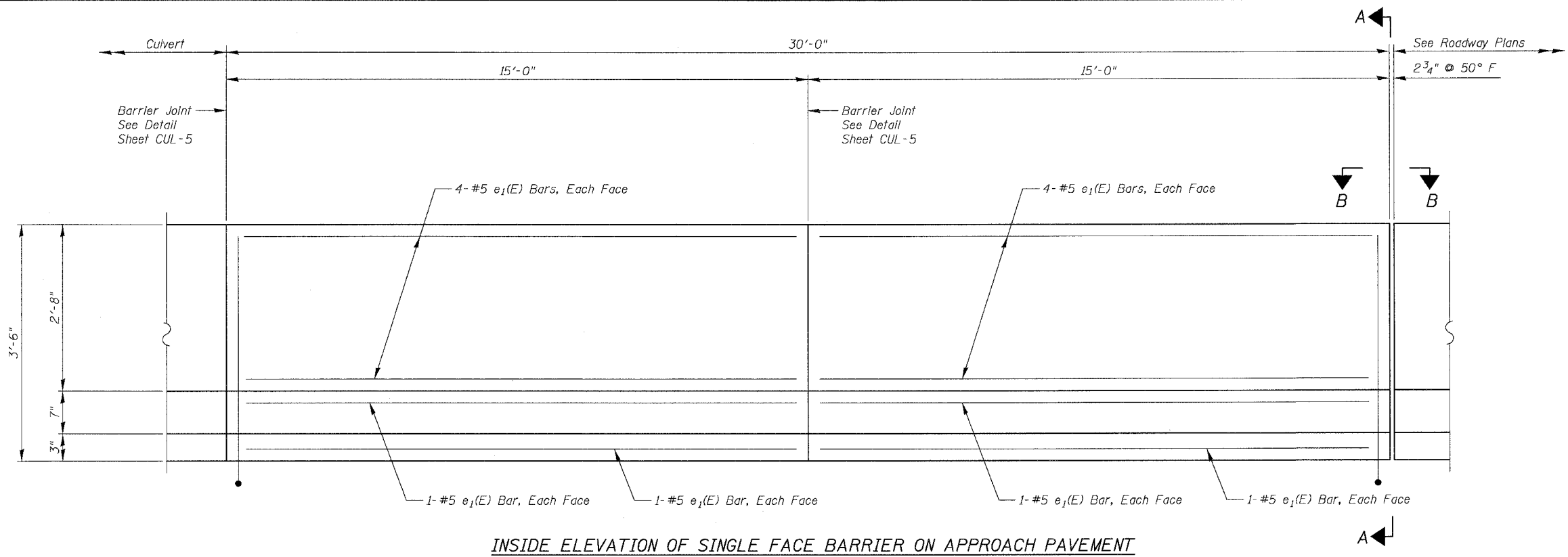


F.A.I.	SECTION	COUNTY	TOTAL SHEETS	SHEET NO.
94/90	*	COOK	556	439
STA.	TO STA.			
FED. ROAD DIST. NO.	ILLINOIS	FED. AID PROJECT		
62300		*0818, ETC, 2324.6-1P1R-8		

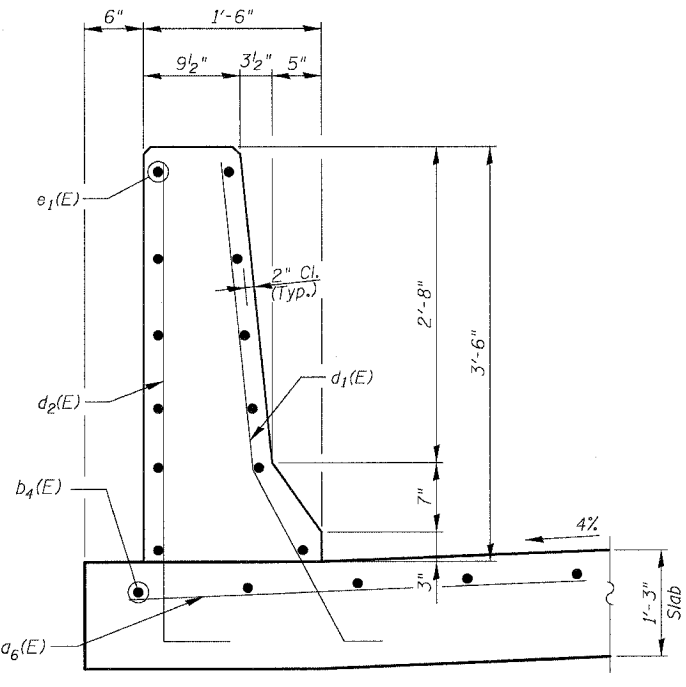
**APPROACH PAVEMENT  
BILL OF MATERIAL  
TOTAL FOR 2 APPROACH SLABS**

Bar	No.	Size	Length	Shape
$a_6(E)$	42	#6	4'-6"	—
$b_5(E)$	10	#5	29'-6"	—
$d_1(E)$	60	#6	5'-7"	L
$d_2(E)$	60	#5	5'-9"	L
$e(E)$	48	#5	14'-8"	—
Bridge Approach Pavement			Sq. Yd.	456
Concrete Superstructure			Cu. Yd.	8.1
Protective Coat			Sq. Yd.	30
Reinforcement Bars, Epoxy Coated			Pound	2,190
Bar Splicers			Each	124
CTA Fence			Foot	60

See IDOT Standard 420401 for typical approach pavement reinforcing and details. Additional reinforcement bars, bar splicers, and concrete for single face barrier not shown on Std. 420401 shall be paid for as Reinforcement Bars, Epoxy Coated, Bar Splicers, and Concrete Superstructure. Reinforcement bars designated (E) shall be epoxy coated. CTA Fence not shown for clarity. See Roadway Plans for fence details. See Sheet CUL-4 for treatment of Approach Slab/Culvert Slab joint. Apply Protective Coat to top and inside face of single face barrier.

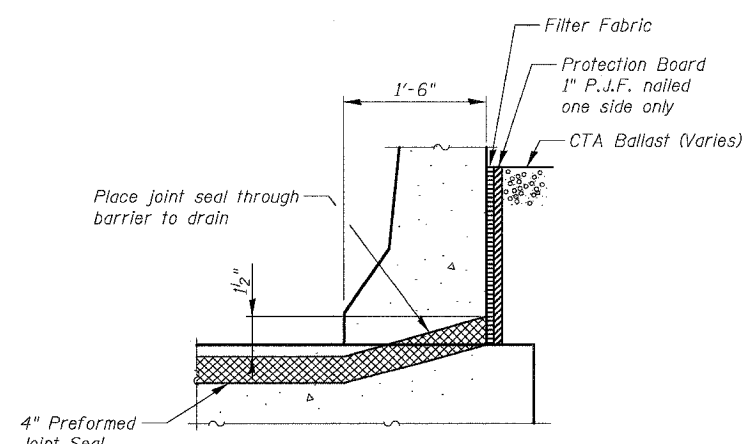


**INSIDE ELEVATION OF SINGLE FACE BARRIER ON APPROACH PAVEMENT**

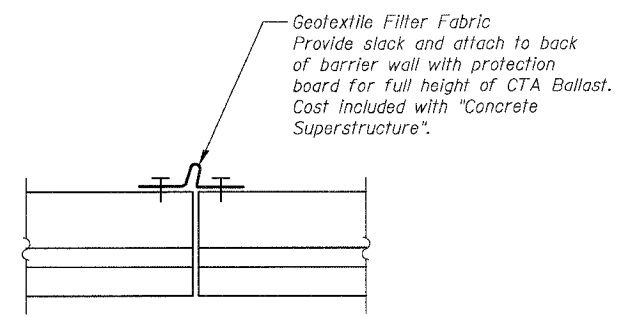


**SECTION THRU SINGLE FACE BARRIER**

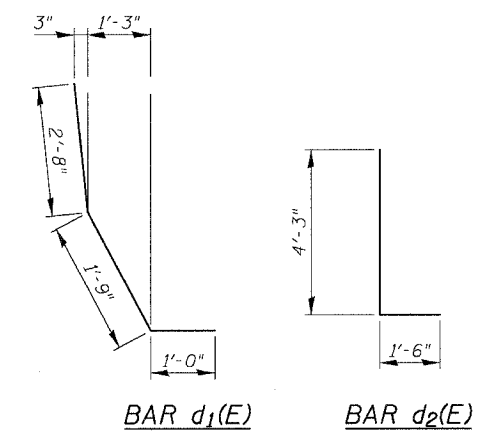
Note: Standard Approach Pavement reinforcement not shown for clarity



**SECTION A-A**



**VIEW B-B**



**BAR  $d_1(E)$**

**BAR  $d_2(E)$**

BOWMAN, BARRETT & ASSOCIATES INC.  
CONSULTING ENGINEERS  
Chicago, Illinois  
312.228.0100  
www.bbandatinc.com

REVISIONS	
NAME	DATE
ADDENDUM 1	8/12/05

SHEET CUL-7 OF CUL-14  
ILLINOIS DEPARTMENT OF TRANSPORTATION  
F.A.I. 94/90 (DAN RYAN EXPRESSWAY)  
31ST STREET TO 71ST STREET  
NB EXPRESS LANE RECONSTRUCTION  
MWRD CULVERT, N. OF 39TH ST.,  
COOK COUNTY, S.N. 016-2625  
**APPROACH SLAB DETAILS 2**  
SCALE: N.T.S. DRAWN BY: MTR  
DATE: 07/07/05 CHECKED BY: BLU

8/17/2005 8:36:04 AM