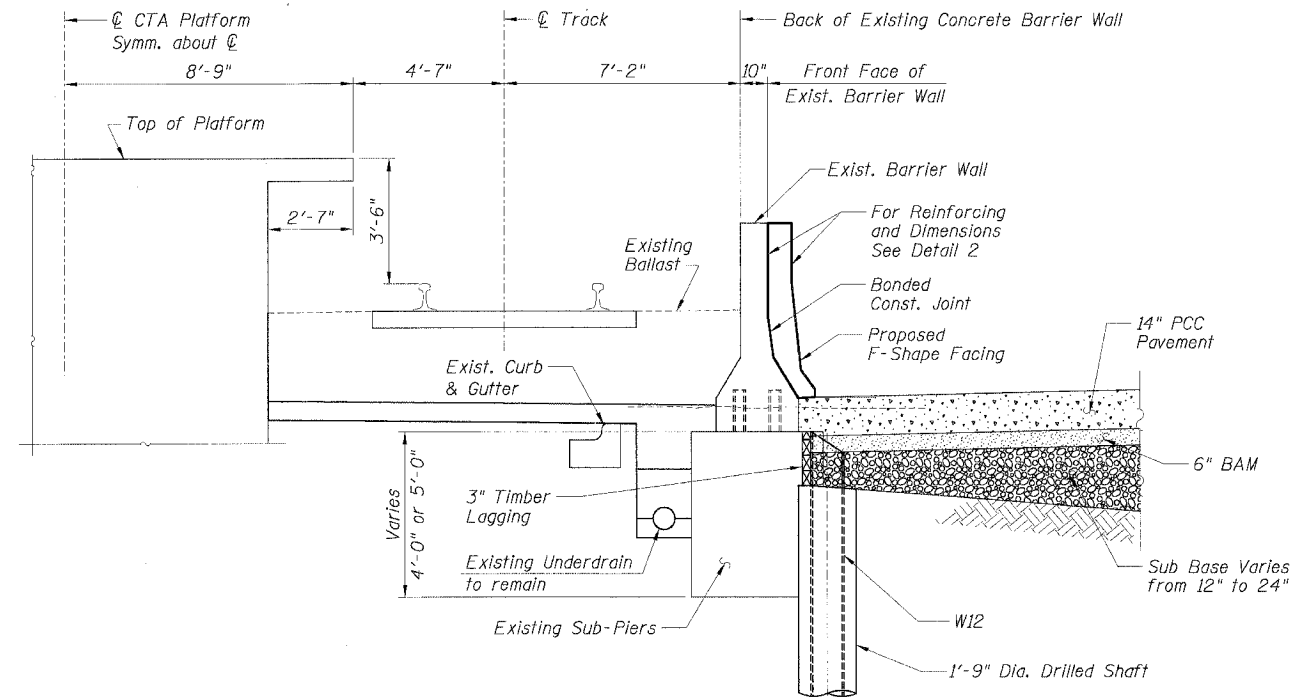
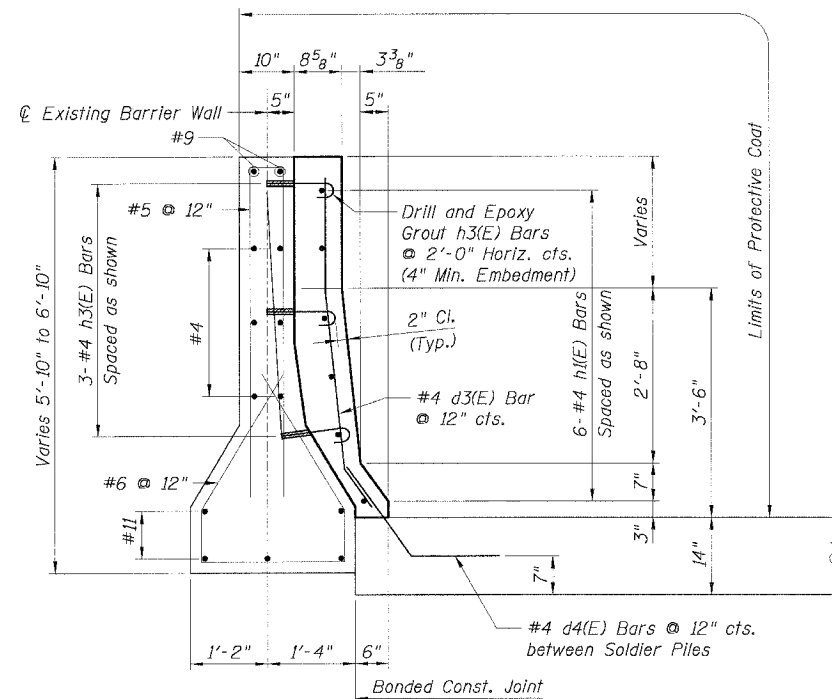


STATE OF ILLINOIS  
DEPARTMENT OF TRANSPORTATION

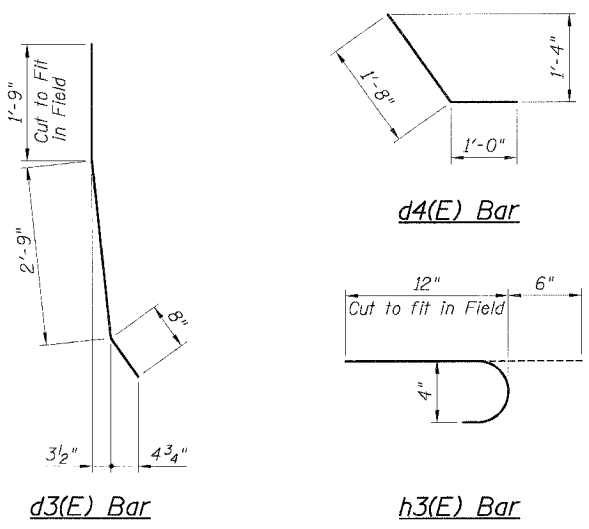
F.A.I. R.T.E.	SECTION	COUNTY	TOTAL SHEETS	SHEET NO.
90/94		COOK	598	412
STA.	TO STA.			
FED. ROAD DIST. NO. 1 ILLINOIS FED. AID PROJECT				
• (1818, ETC, 2324.6-10R-9) 62302				



TYPICAL SECTION  
BETWEEN SUB-PIERS



DETAIL 2



**LEGEND:**

	PCC Pavement
	BAM
	Sub Base
	Earth

BILL OF MATERIAL

Bar	No.	Size	Length	Shape
d3(E)		#4	5'-2"	—
d4(E)		#4	2'-8"	—
h3(E)		#4	1'-6"	—
h3(E)		#4	1'-6"	—
Item	Unit	Quantity		
Furnishing Soldier Piles, W12x—	Foot			
Drilling and Setting				
Soldier Piles (in Soil)	Cu. Ft.			
Untreated Timber Lagging	Sq. Ft.			
Reinforcement Bars, Epoxy Coated	Pound			
Concrete Superstructure	Cu. Yd.			
Protective Coat	Sq. Yd.			

NOTES:

1. Drilling and grouting of #4 h3(E) bars shall be in accordance with Section 584 of the Standard Specifications.
2. The cost of drilling holes, furnishing and placing Epoxy Grout and setting #4 h3(E) bars shall be included in the cost per cubic yard for Concrete Superstructure.
3. #4 d4(E) bars shall be seated in their final position prior to the placement of the concrete shoulder. Bars shall not be mucked into place.
4. Provide joints in facing to match those in the existing barrier wall. See Sheet B7 for details.
5. Minimum lap length for #4 bars shall be 1'-8".
6. For Typical Plan, see Sheet B5.
7. For Existing Concrete Repair Details, see Sheet B3.
8. For Facing Details at Existing Light Pole Foundation, see Sheet B5.

REVISIONS	
NAME	DATE
MJP	8-12-05

Sheet B4 of 18  
ILLINOIS DEPARTMENT OF TRANSPORTATION  
F.A.I. 90/94 (DAN RYAN EXPRESSWAY)  
71ST STREET TO 31ST STREET (SB EXPRESS LANES)  
EXISTING BARRIER WALL MODIFICATIONS  
AT CTA STATIONS  
PROPOSED T/S SHOULDER AT OR ABOVE EXISTING  
TYPICAL SECTIONS & DETAILS  
SCALE: None DRAWN BY: KWT  
DATE: July 7, 2005 CHECKED BY: RDP