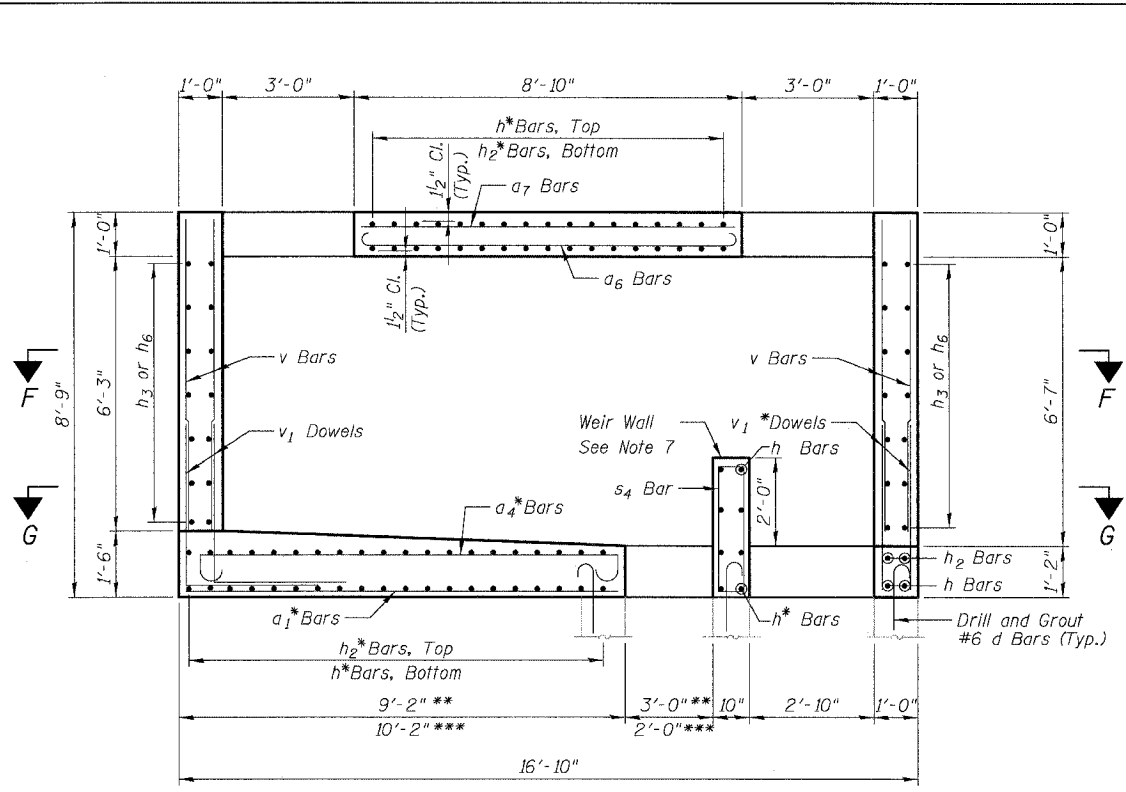
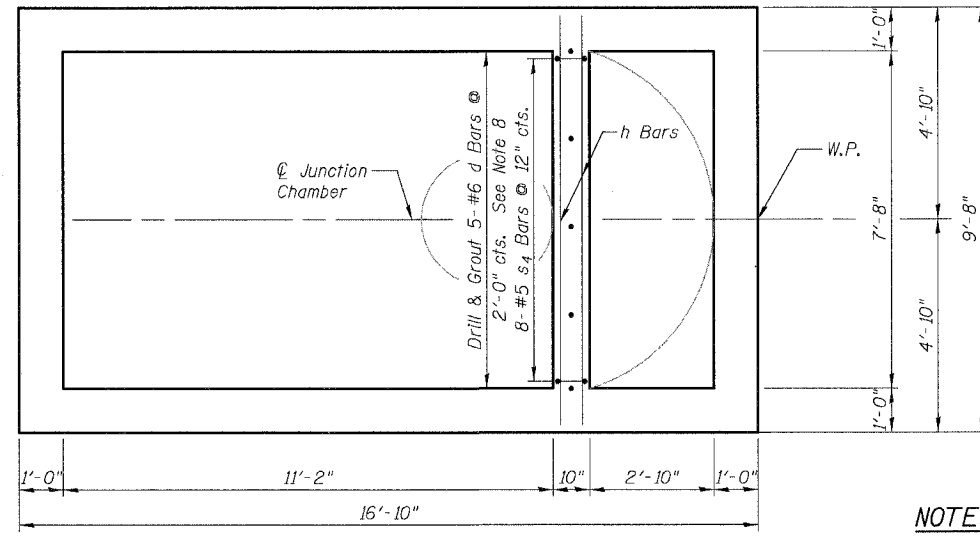


F.A.I.	SECTION	COUNTY	TOTAL SHEETS	SHEET NO.
94/90	*	COOK	598	456
STA.		TO STA.		
FED. ROAD DIST. NO.		ILLINOIS FED. AID PROJECT		
62302		* (1818, ETC, 2324.6-1PIR-9		



SECTION A-A

JC T2 19-01	***
JC T2 20-01	***
JC T2 23-01	***
JC T2 24-01	***
JC T2 28-01	**
JC T2 32-01	**
JC T2 35-02	**
JC T2 37-01	***
JC T2 38-01	**
JC T2 41-01	**
JC T2 44-01	**



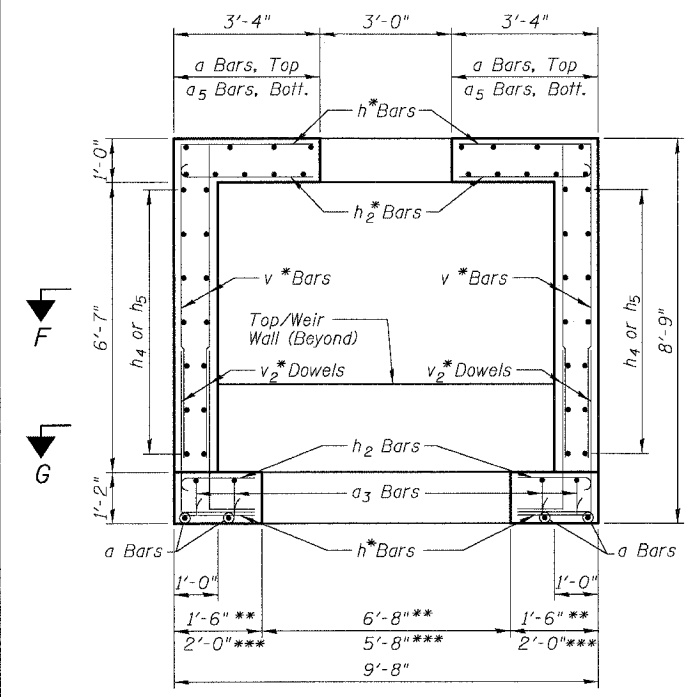
SECTIONAL PLAN G-G

See Sectional Plan F-F on Sheet JC-3 for Reinforcement not shown

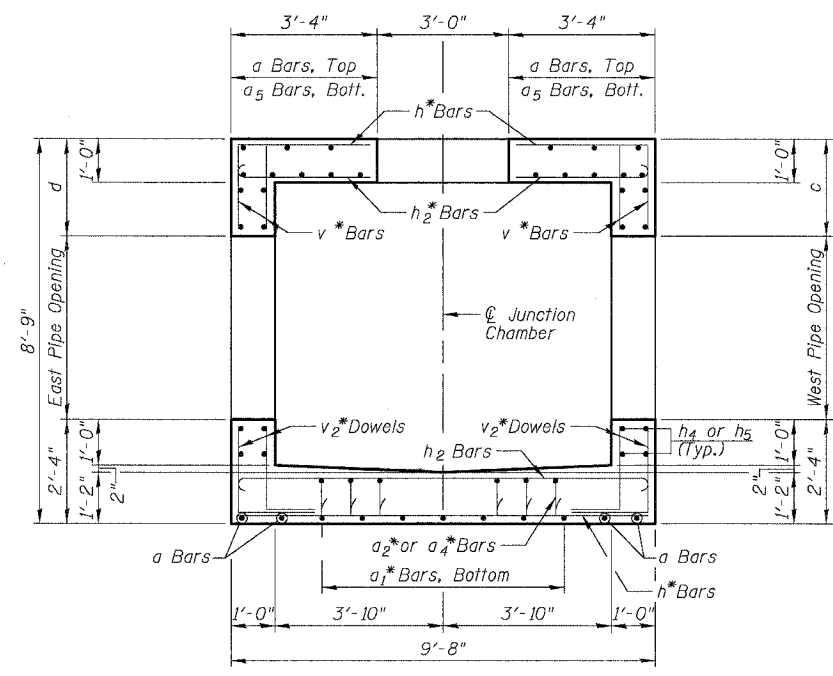
NOTES:

- All dimensions and elevations shall be field verified prior to construction.
- For Pipe Openings and dimensions c, d, e, f, g, and j, see "Table of Junction Chamber Information" on Sheet JC-2.
- Concrete pipe sizes shall be coordinated with openings provided into junction chamber before pouring concrete.
- Manhole Frame, Ladder Rungs and any inserts installation shall be coordinated with Roadway Plans.
- Concrete cover for reinforcement steel to be 2" unless otherwise noted.
- All lap splices marked on the drawings are minimum.
- Provide 1" Galvanized Rod and formed notch to match existing removed from weir wall. Cost included with Junction Chamber of the number specified.
- Epoxy Grout #6 d bars in drilled holes with a min. depth of 9" in accordance with Art. 584 of the Std. Specs. Drill holes a min. of 4" from edge of existing concrete. Orient hook to fit..

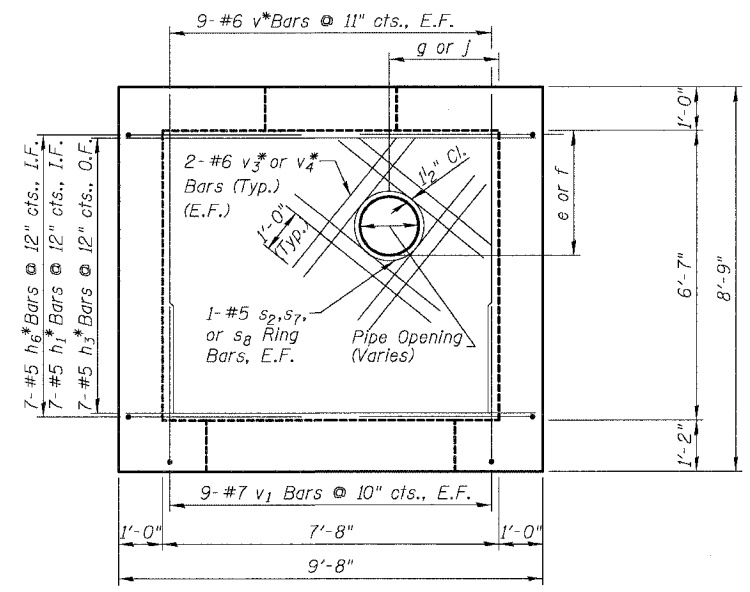
- * - Cut bars to fit in field.
- E.F. - denotes Each Face
- E.S. - denotes Each Side
- I.F. - denotes Inside Face
- O.F. - denotes Outside Face



SECTION B-B



SECTION C-C



SECTION D-D

(Opposite Wall Typical)

REVISIONS		
NAME	DATE	
ADDENDUM 1	8/12/05	

SHEET JC-4 OF JC-22

ILLINOIS DEPARTMENT OF TRANSPORTATION
 F.A.I. 94/90 (DAN RYAN EXPRESSWAY)
 31ST STREET TO 71ST STREET
 SB EXPRESS LANE RECONSTRUCTION
 JUNCTION CHAMBER, TYPE 2
 REINFORCEMENT DETAILS 2

SCALE: N.T.S. DRAWN BY: DJM
 DATE: 07/07/05 CHECKED BY: BLU

BOWMAN, BARRETT & ASSOCIATES INC.
 CONSULTING ENGINEERS
 Chicago, Illinois
 312 228 0100
 www.bbainc.com

B:\660\addendum\STRUCT\URES\660_15\JC-4.dwg 8/11/2005 9:56:50 AM