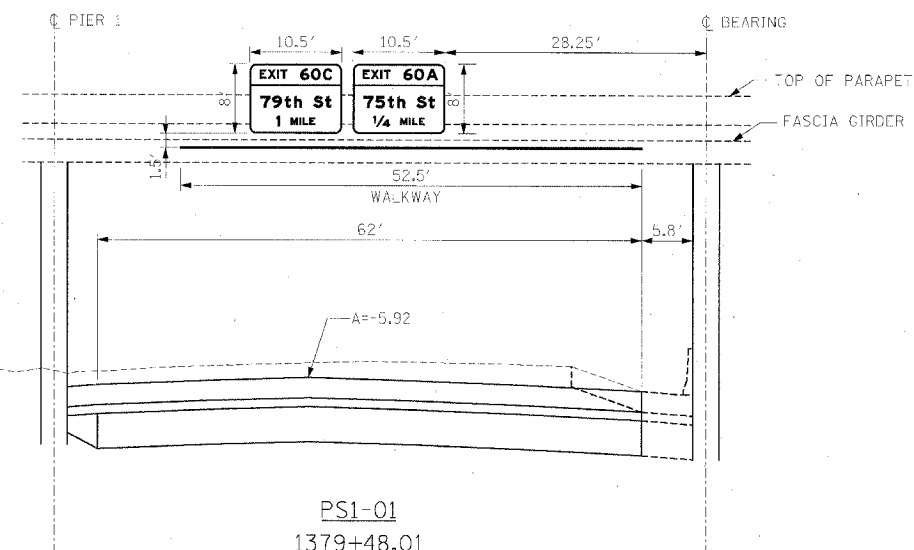
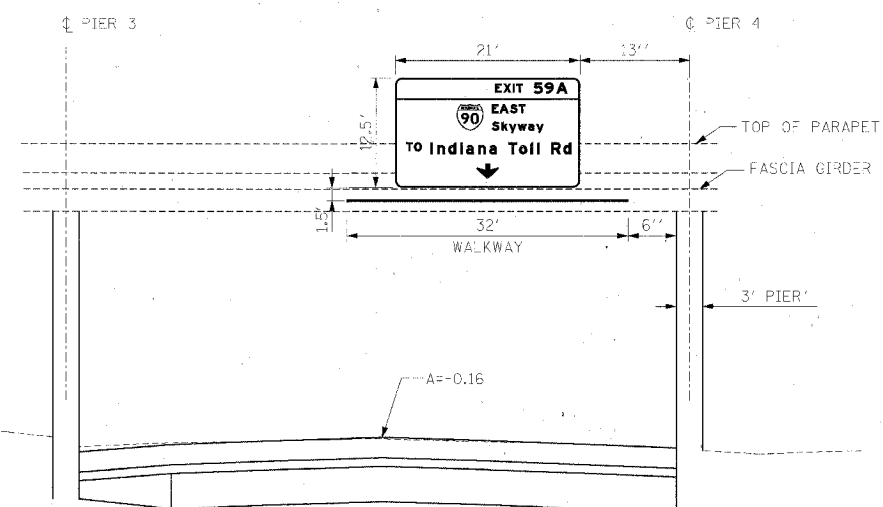


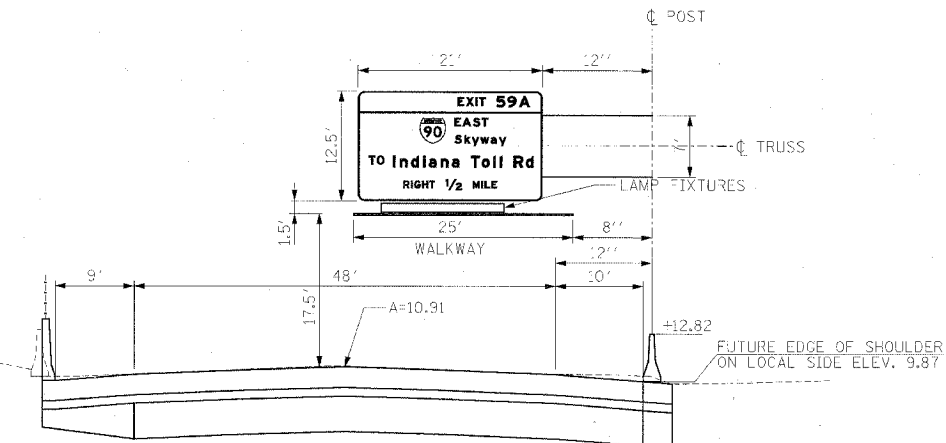
F.A.I. RTE.	SECTION	COUNTY	TOTAL SHEETS	SHEET NO.
94/90		COOK	598	302
STA.	TO STA.			
FED. ROAD DIST. NO.	ILLINOIS	FED. AID PROJECT		
62302	* (1818, ETC, 2324.6-1)PR-9			



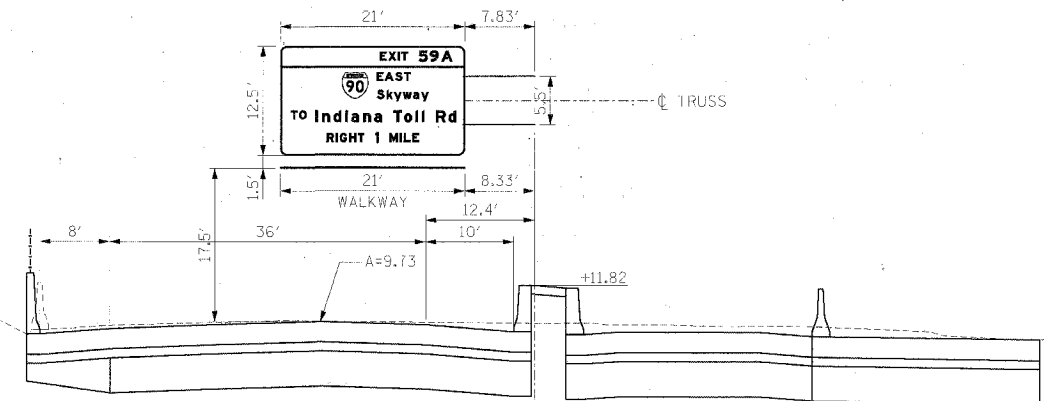
PS1-01  
1379+48.01  
LOOKING SOUTH  
(BRIDGE MOUNT)



PS4-03  
1462+62.82  
LOOKING SOUTH  
(BRIDGE MOUNT)



PS5-01  
1486+00.00  
LOOKING SOUTH  
(CANTILEVER)



PS6-02  
1514+30.00  
LOOKING SOUTH  
(CANTILEVER)

**Edwards AND Kelcey**  
ONE NORTH FRANKLIN  
CHICAGO, IL 60606  
PHONE: (312) 251-3000  
FAX: (312) 251-3015  
WEB: WWW.EKCORP.COM

REVISIONS	
NAME	DATE

ILLINOIS DEPARTMENT OF TRANSPORTATION  
F.A.I. 94/90 (DAN RYAN EXPRESSWAY)  
31ST STREET TO 71ST STREET  
SB EXPRESS LANE RECONSTRUCTION  
SIGN PLACEMENT DETAILS

SCALE: NONE  
DATE: 7/7/05

DRAWN BY: RLK  
CHECKED BY: PJM

SGN-05  
06/24/2005 10:44:33 AM