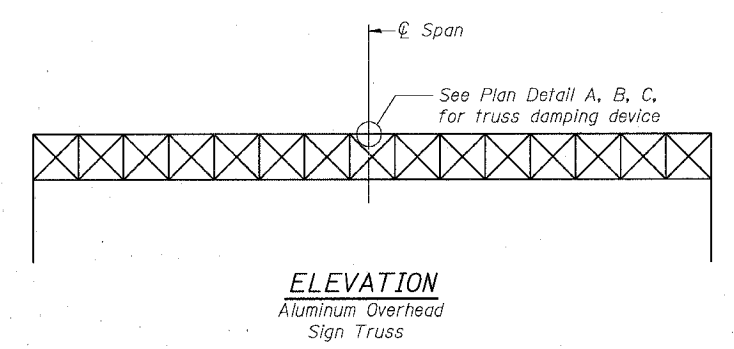
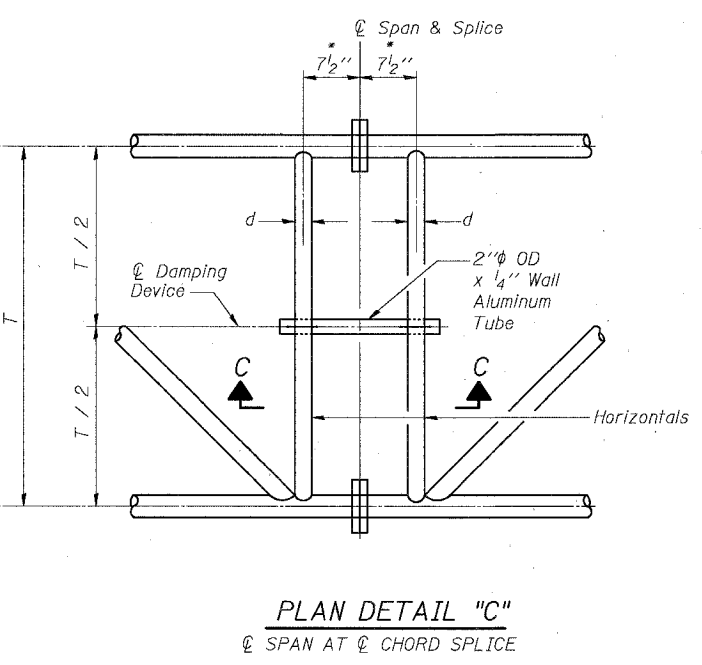
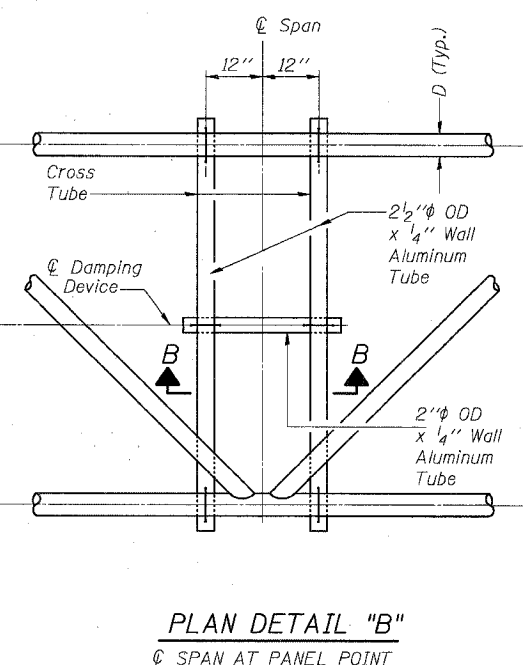
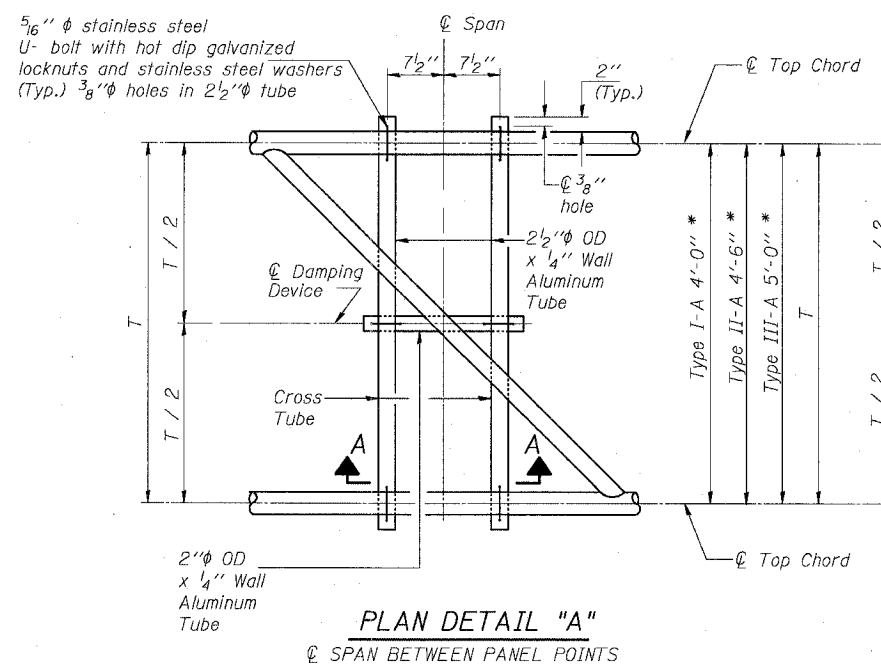


STATE OF ILLINOIS
DEPARTMENT OF TRANSPORTATION

* Center of horizontal to center of splice dimension may vary. Verify before drilling holes in mounting tube.

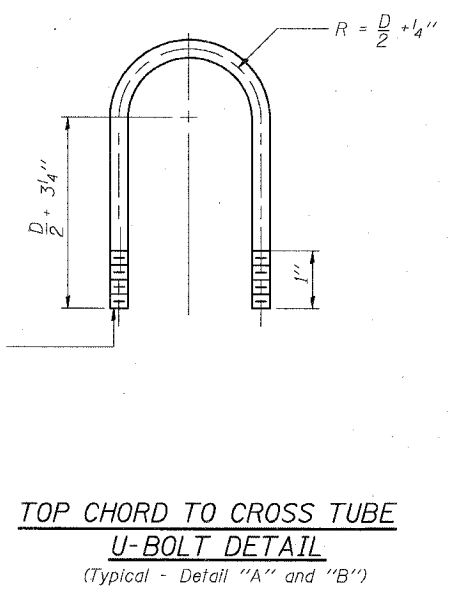
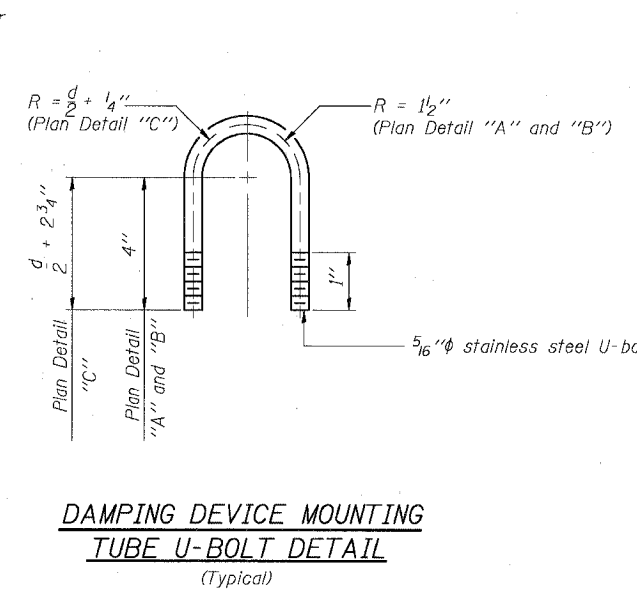
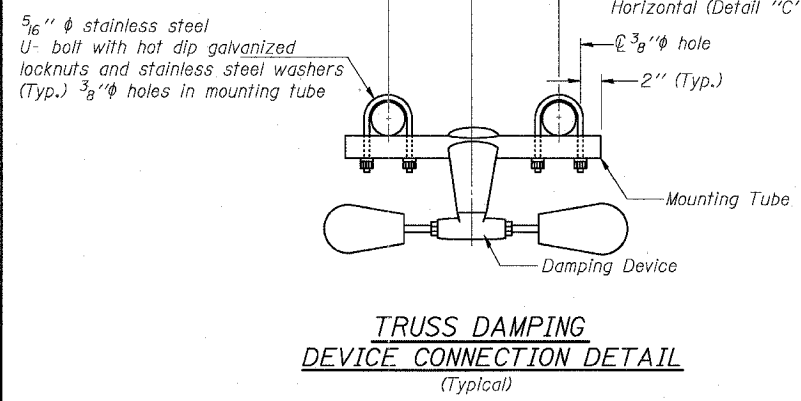
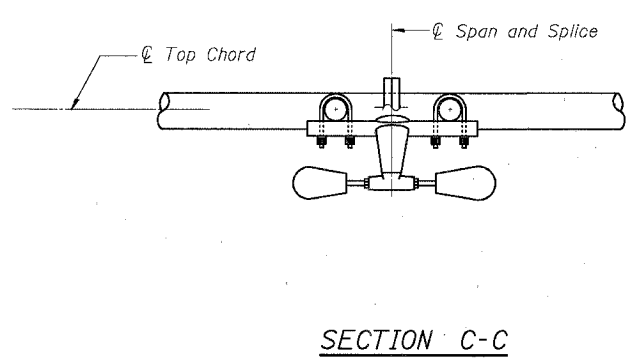
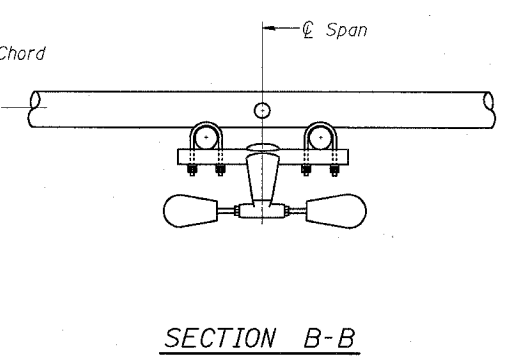
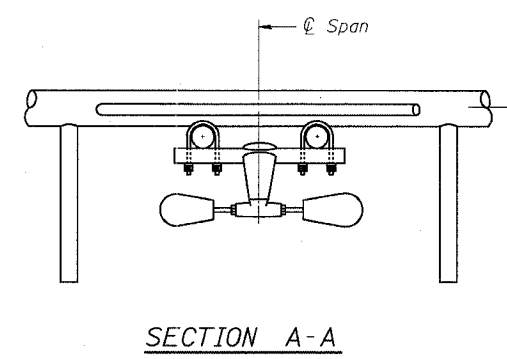
ROUTE NO.	SECTION	COUNTY	SHEET NO.	SHEET TOTAL
94/90	*	COOK	598	310
FED. ROAD DIST. NO. 1	ILLINOIS	FED. AID PROJECT-		
62302 *CB18, ETC. 2324.6-1PIR-9				



NOTES

Damper: One damper per truss.
(31 lbs. Stockbridge-Type Aluminum)
Cost included in "Overhead Sign Structure..."

Materials: Aluminum tubes shall be ASTM B221 alloy 6061 temper T6. Cost included in "Overhead Sign Structure..."



DESIGNED	MSA
CHECKED	AS
DRAWN	MD
CHECKED	MSA

EXAMINED	20
PASSED	ENGINEER OF STRUCTURAL SERVICES
	ENGINEER OF BRIDGES AND STRUCTURES

OS-A-D 11/1/2002

OVERHEAD SIGN STRUCTURE
DAMPING DEVICE

ILLINOIS DEPARTMENT OF TRANSPORTATION
F.A.I. 94/90 (DAN RYAN EXPRESSWAY)
31ST STREET TO 71ST STREET
SB EXPRESS LANE RECONSTRUCTION
OVERHEAD SIGN STRUCTURES

SGN-13