

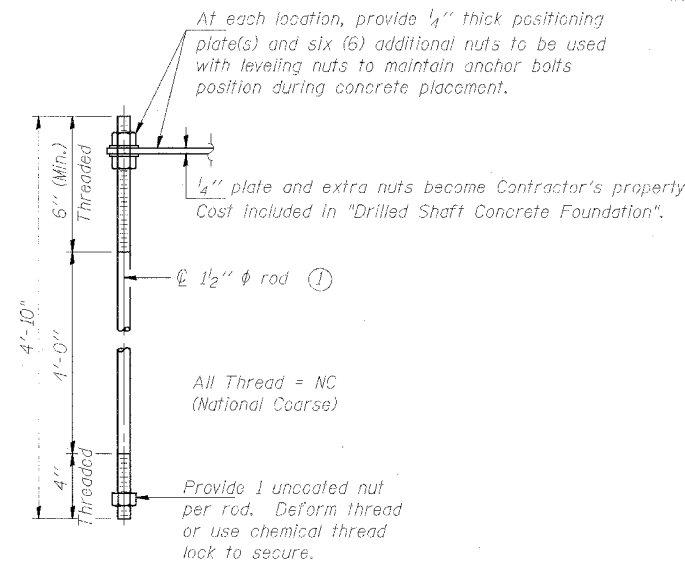
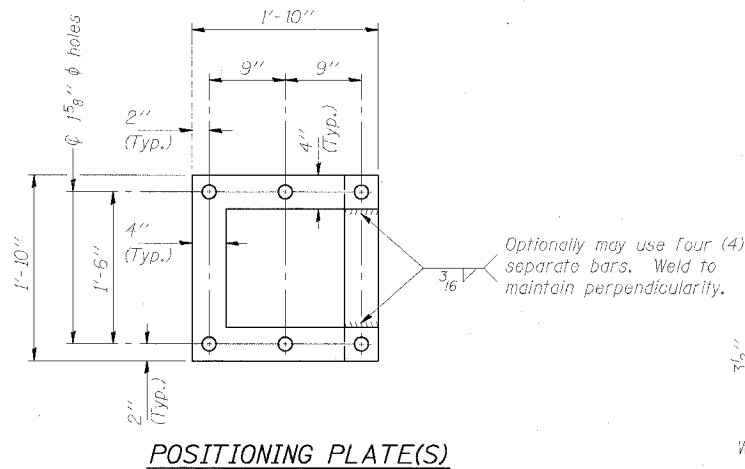
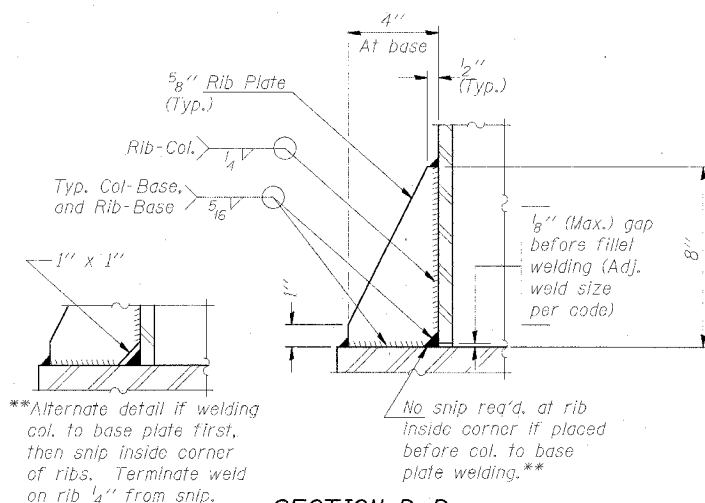
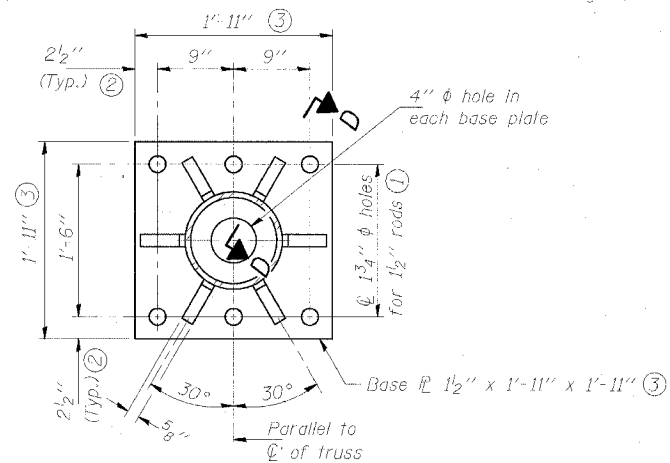
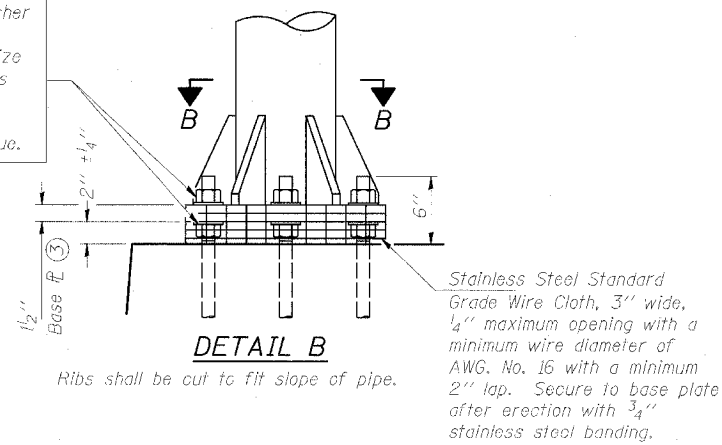
STATE OF ILLINOIS
DEPARTMENT OF TRANSPORTATION

ROUTE NO.	SECTION	COUNTY	POST MILES	SHEET NO.
90/94	*	COOK	598	345
FED. ROAD DIST. NO. 7				
ILLINOIS FED. AID PROJECT				

(1818, ETC, 2324.6-1P) R-9
62302

SHEET NO. -
SHEETS

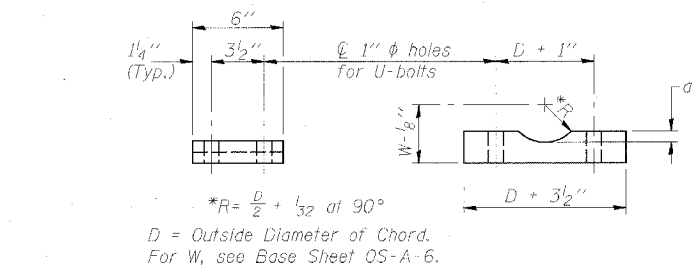
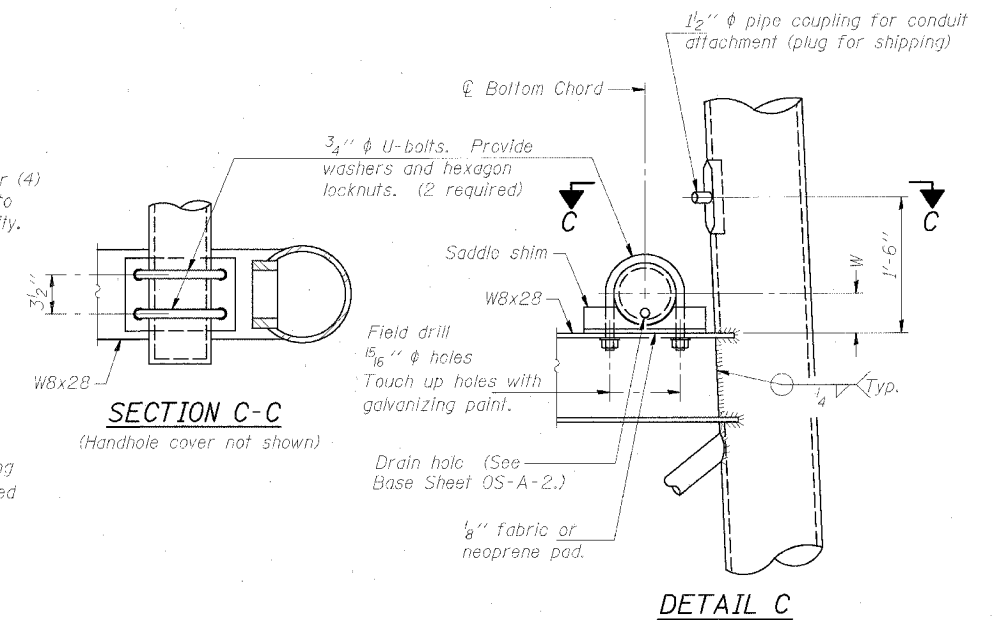
Hexagon locknut and washer (top), leveling nut and washer (bottom). Galvanize per AASHTO M232. Nuts shall each be tightened against base plate with 200 lb.-ft. minimum torque.



TYPE III-A TRUSS
12" ϕ PIPE SUPPORT FRAME DETAILS

Notes: For Type III-A Truss spans greater than 150 ft. and up to 160 ft.:

- 1 3/4" ϕ rod, 2" ϕ holes
- 2 3/4" edge distance
- Base ϕ 1 5/8" x 1'-11 1/2" x 1'-11 1/2"



Truss Chord Nominal Dia.	a
7"	1"
8 1/2"	1 1/4"
9"	1 3/8"

SADDLE SHIM DETAIL

ASTM B26 Alloy 356-F
or
ASTM B209 Alloy 6061-T651
(4 required per sign truss)

DESIGNED	SWANG
CHECKED	JAL
DRAWN	
CHECKED	

EXAMINED	20
PASSED	ENGINEER OF STRUCTURAL SERVICES
	ENGINEER OF BRIDGES AND STRUCTURES

NUMBER	REVISION	DATE

OS4-A-8aA 11/1/2002

OVERHEAD SIGN STRUCTURES
SUPPORT FRAME for TYPE III-A ALUMINUM TRUSS

F.A.I. 94/90 (DAN RYAN EXPRESSWAY)
31st STREET TO 71st STREET
(SB Express Lanes)

P:\P40468\Struct\E&K Drawings\Chfr_E&S\050725.dwg