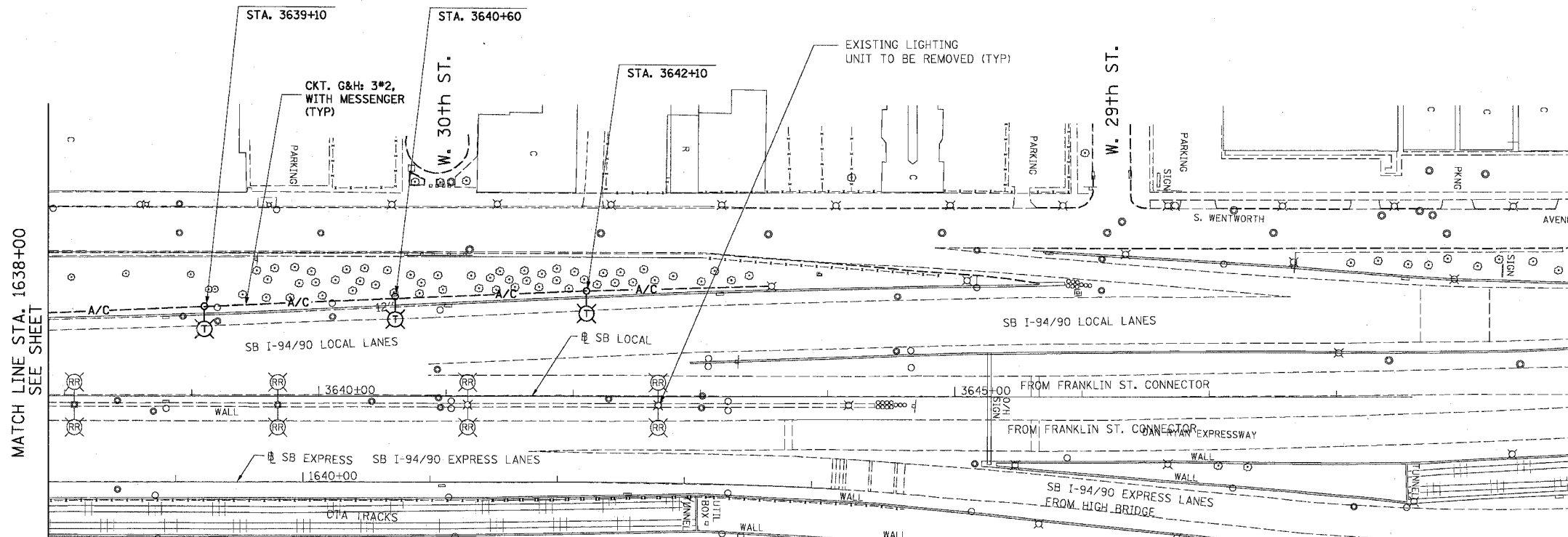


F.A.I. RTE.	SECTION	COUNTY	TOTAL SHEETS	SHEET NO.
94/90		COOK	598	385
STA.		TO STA.		
FED. ROAD DIST. NO. 1 ILLINOIS		FED. AID PROJECT		

62302 • (1818, ETC., 2324.6-1P)R-9

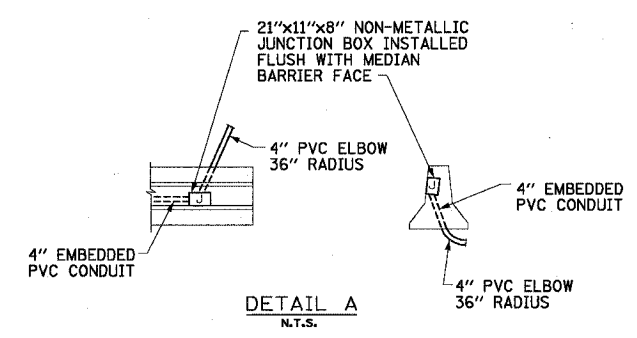
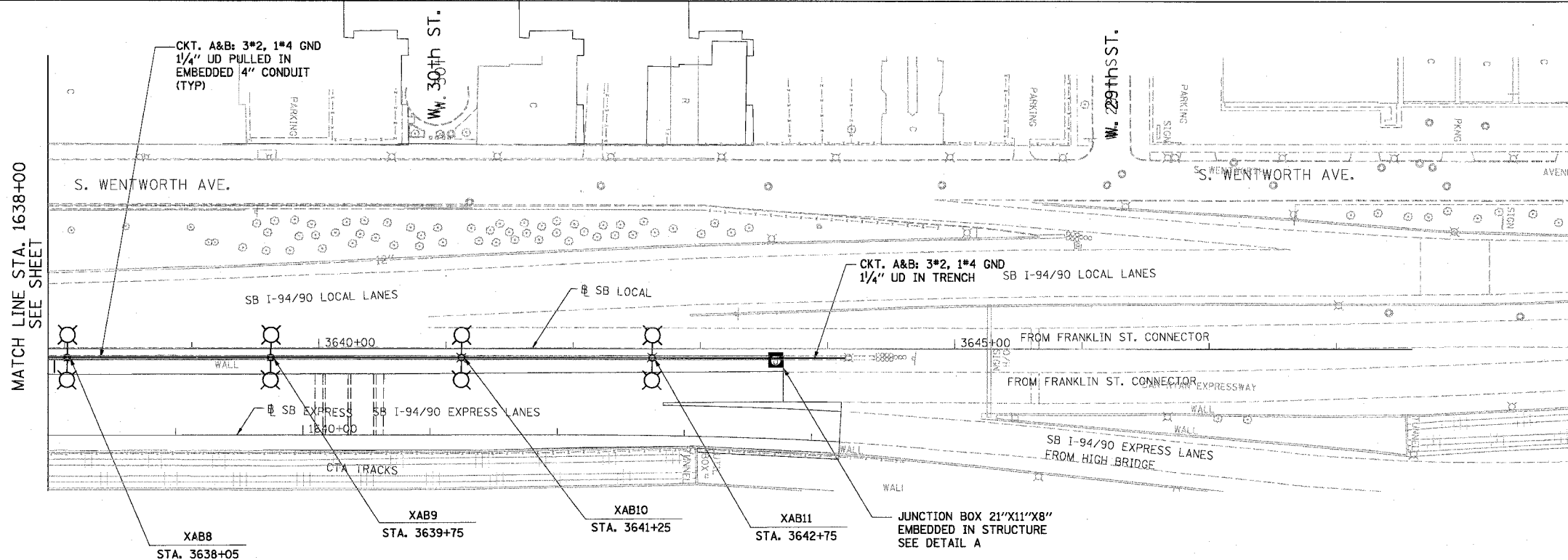
14-650-0000 (M)NS/SHEET 15/660-15/249



**NOTES:**

1. TEMPORARY LIGHTING UNITS SHALL BE SET BACK 20 FT FROM EDGE OF PAVEMENT.
2. EXISTING LIGHTING UNITS SHALL BE REMOVED AND STORED.
3. SEE DRAWINGS EI-100 AND EI-101 FOR ELECTRICAL SYMBOLS AND ABBREVIATIONS.

EXISTING CONDITIONS AND REMOVAL

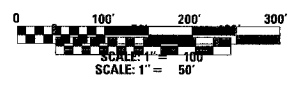


PROPOSED CONDITIONS

EL-2

**KAM ENGINEERING, INC.**  
CONSULTING ENGINEERS  
707A Davis Road, Suite 205  
Evanston, Illinois 60201-1369

- NOTE:**
1. EXISTING LIGHTING UNITS SHALL BE RE-INSTALLED ON THE PROPOSED MEDIAN WALL.



REVISIONS	
NAME	DATE

ILLINOIS DEPARTMENT OF TRANSPORTATION  
F.A.I. 94/90 (DAN RYAN EXPRESSWAY)  
31ST STREET TO 71ST STREET  
SB EXPRESS LANE RECONSTRUCTION  
3 EXISTING AND PROPOSED LIGHTING PLAN

SCALE: DATE: 06-03-05

DRAWN BY: BL  
CHECKED BY: RC

6/27/2005 7:24:39 PM