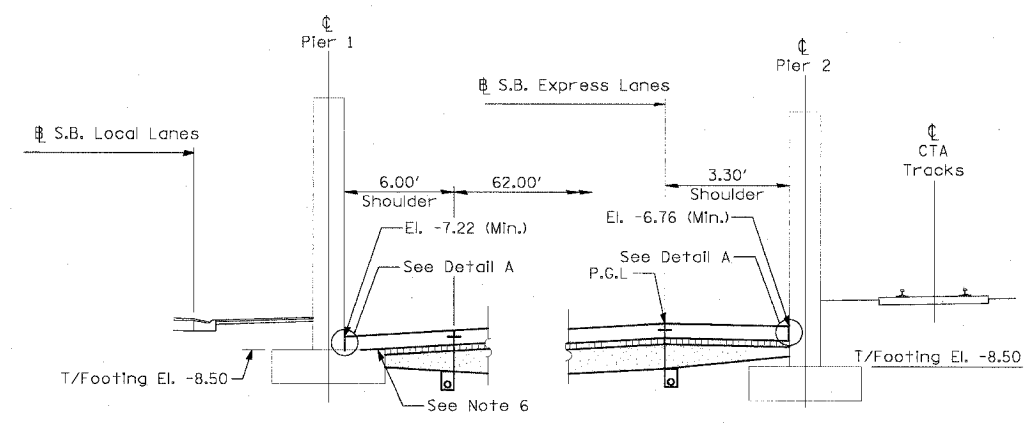
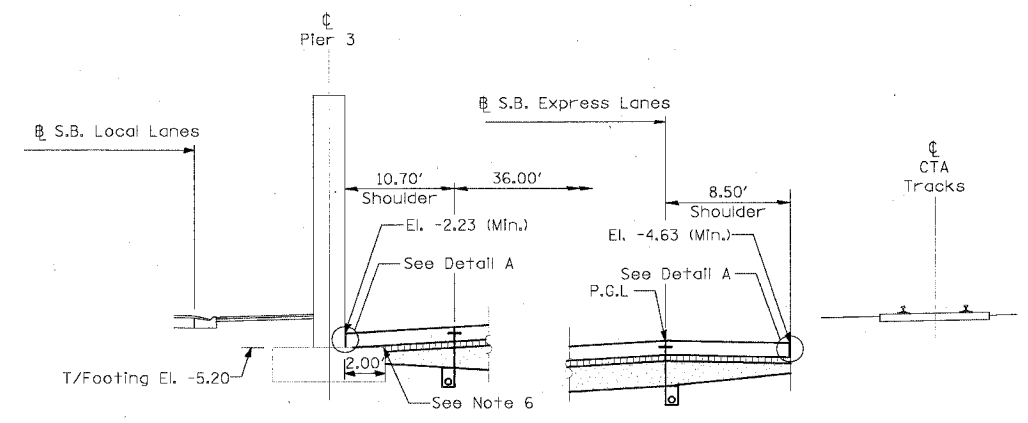


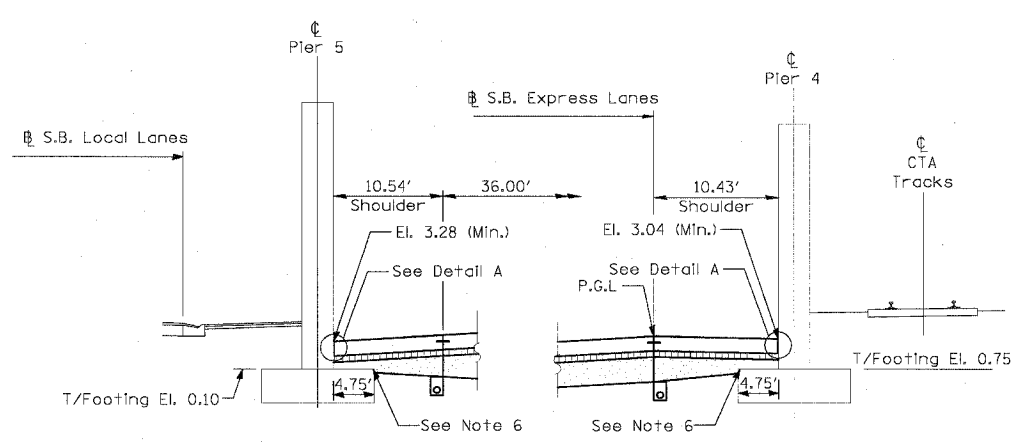
F.A.I. RTE.	SECTION	COUNTY	TOTAL SHEETS	SHEET NO.
94/90		COOK	598	489
STA.	TO STA.			
FED. ROAD DIST. NO.	ILLINOIS	FED. AID PROJECT		
62302	1818, ETC, 2324.6-1P/R-9			



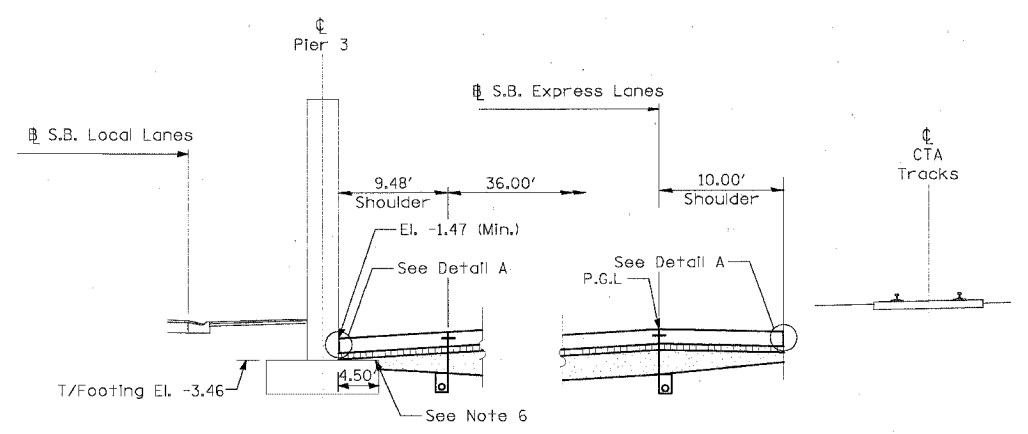
SHOULDER DETAIL AT 69th STREET (S.N. 016-0189)



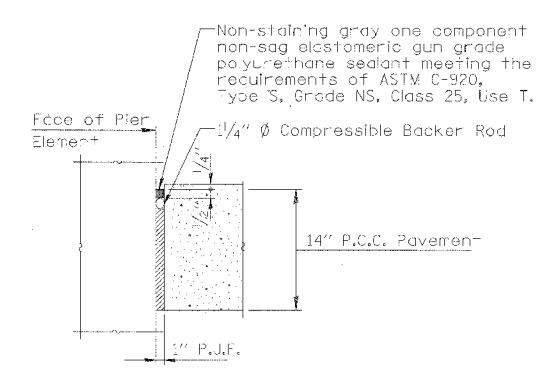
SHOULDER DETAIL AT WENTWORTH AVENUE



SHOULDER DETAIL AT CONRAIL RAILROAD

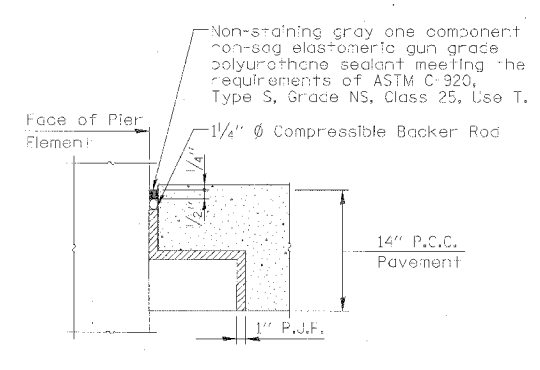


SHOULDER DETAIL AT ROCK ISLAND RAILROAD



DETAIL A

Cost of P.J.F., Backer Rod and sealing compound included with PCC Shoulder



DETAIL B

Cost of P.J.F., Backer Rod and sealing compound included with PCC Shoulder

Notes:

1. See Typical Sections for Composition of Exist. & Prop. Pavement.
2. All views looking North.
3. Contractor shall use caution during pavement removal and excavation operations around existing overhead bridge foundations.
4. Top of Rock El. at Root Street is approx. El. -12.0
5. All dimensions at right angles to Expressway.
6. Provide 10ml polyethylene bond breaker and pour shoulder pavement directly on pier footing.

SHEET SDET-1 OF SDET-4

REVISIONS	NAME	DATE

ILLINOIS DEPARTMENT OF TRANSPORTATION
 F.A.I. 94/90 (DAN RYAN EXPRESSWAY)
 31ST STREET TO 71ST STREET
 SB EXPRESS LANE RECONSTRUCTION
 PAVEMENT DETAILS AT
 CROSS STREET BRIDGES

SCALE: NONE
 DATE: 7/7/05
 DRAWN BY: MJP
 CHECKED BY: TAI

Edwards AND Kelcey
 ONE NORTH FRANKLIN
 CHICAGO, IL 60606
 PHONE: (312) 251-3000
 FAX: (312) 251-3015
 WEB: WWW.EKCORP.COM

P:\03\009\035\Con 48\45\CADD\53\53150022637