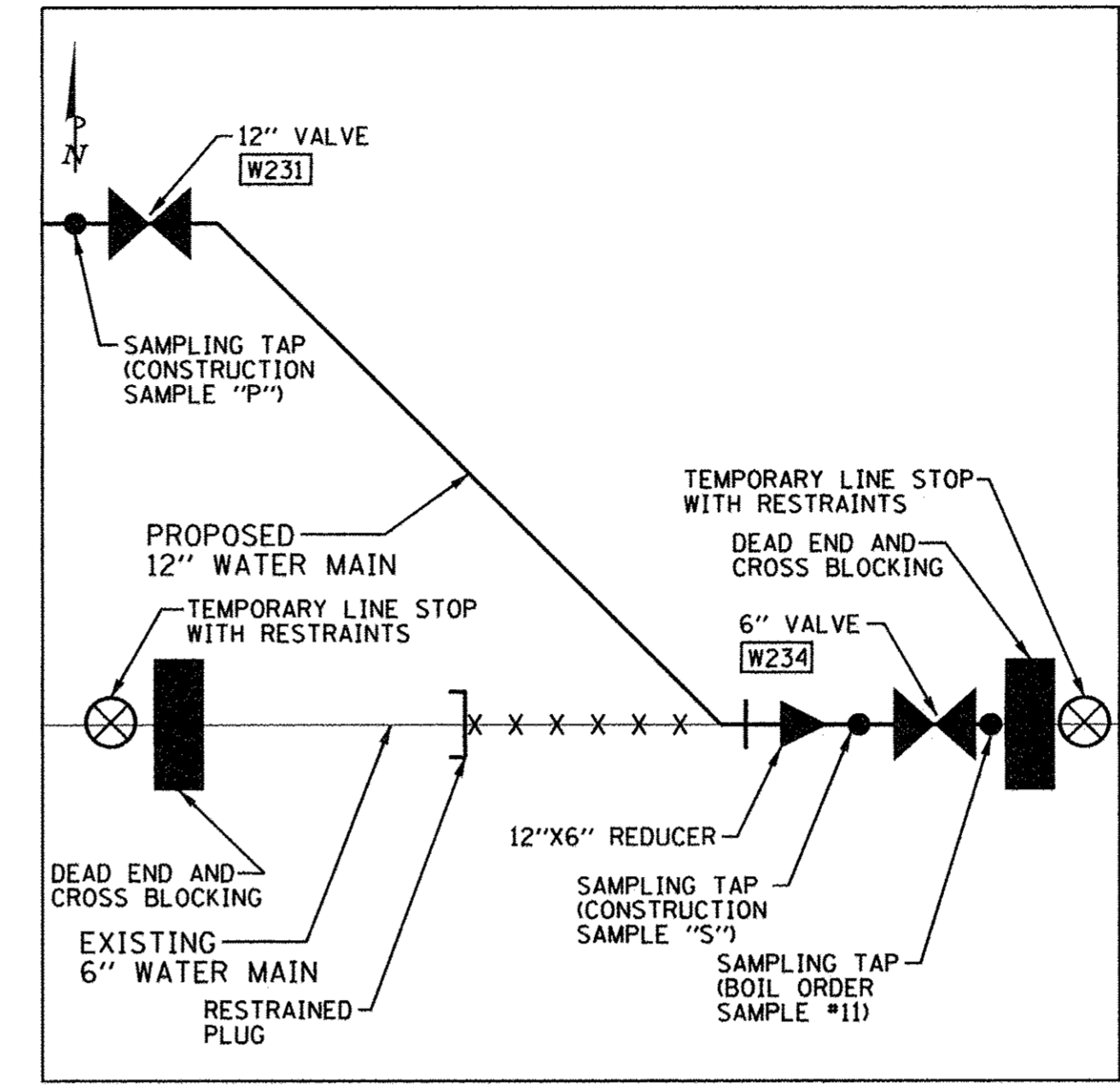


L9 LOCATION 9
NEIL STREET

LOCATION 9 NOTES

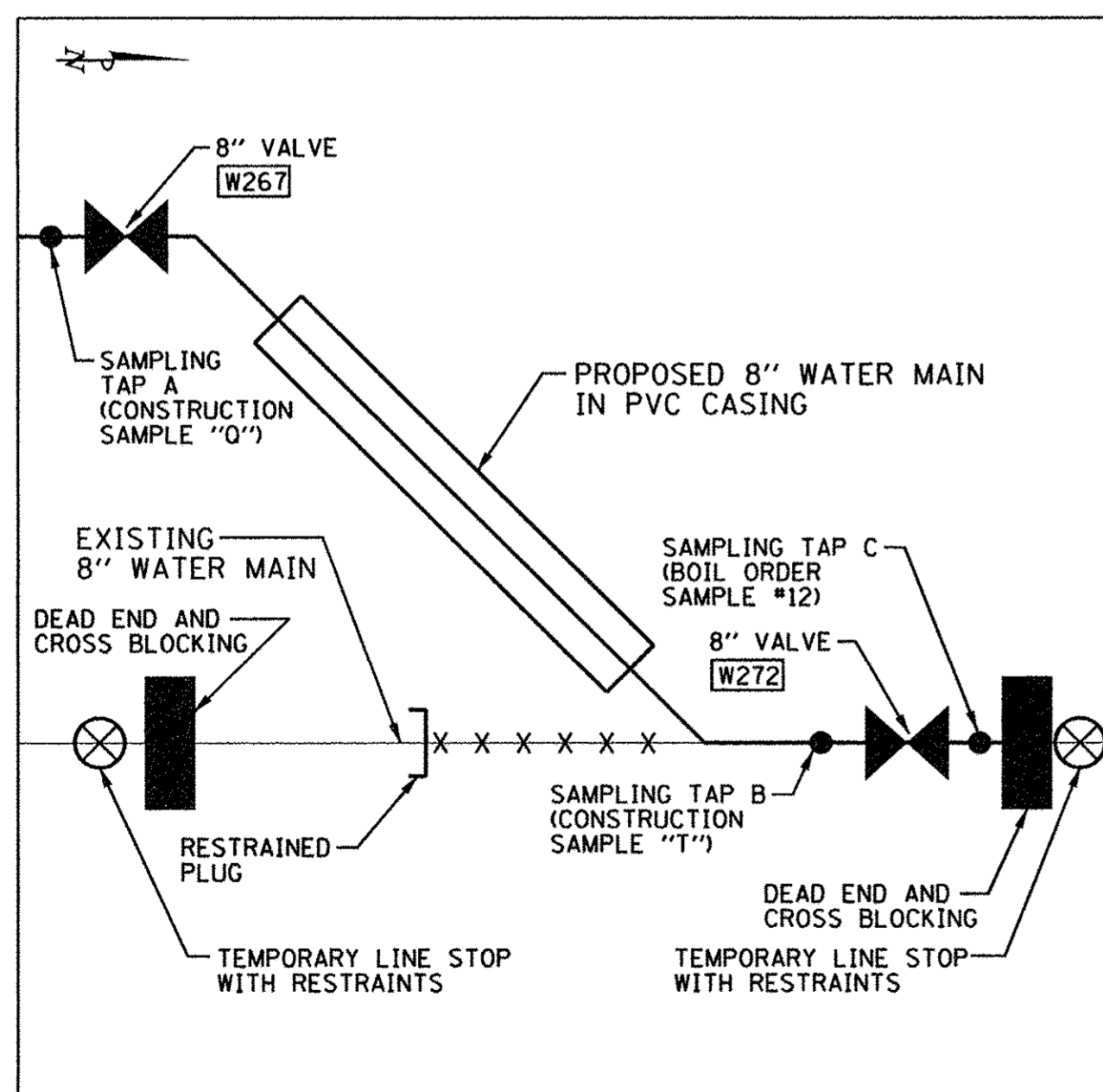
1. INSTALL TEMPORARY LINE STOPS ON BOTH SIDES OF LOCATION 9 AT 6" VALVE, W100, BEFORE MAKING CONNECTION FROM PROPOSED 12" WATER MAIN TO EXISTING 6" WATER MAIN.
2. USE SAMPLE TAP A TO BLEED OFF AIR IN PROPOSED 12" WATER MAIN AND TO SAMPLE PROPOSED 12" WATER MAIN.
3. USE SAMPLE TAP B TO BLEED OFF AIR, PRESSURE TEST PROPOSED 12" WATER MAIN, AND SAMPLE PROPOSED 12" WATER MAIN.
4. CUT AND CAP EXISTING 6" WATER MAIN.



L10 LOCATION 10
FOURTH STREET

LOCATION 10 NOTES

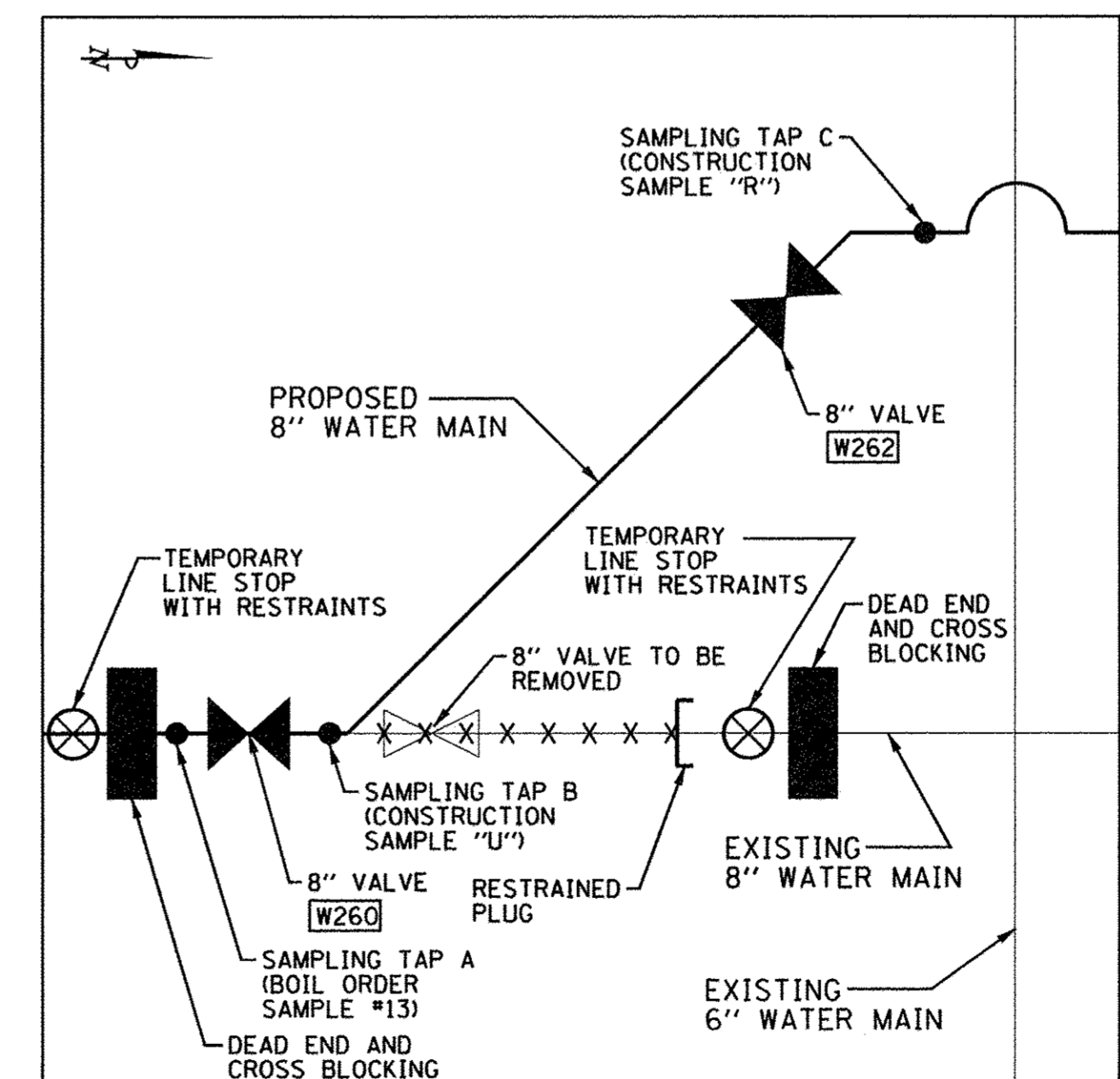
1. DURING STAGE 3A INSTALL TEMPORARY LINE STOPS ON EACH SIDE OF LOCATION 10 AT 6" VALVE, W234, BEFORE MAKING CONNECTION FROM PROPOSED 12" WATER MAIN TO EXISTING 6" WATER MAIN.
2. USE SAMPLING TAP ON PROPOSED 12" WATER MAIN TO BLEED OFF AIR, PRESSURE TEST, AND SAMPLE PROPOSED WATER MAIN.
3. USE SAMPLING TAP ON SECTION OF PROPOSED 6" WATER MAIN TO BLEED OFF AIR, PRESSURE TEST BETWEEN VALVES, AND SAMPLE PROPOSED WATER MAIN.
4. CUT AND CAP EXISTING 6" WATER MAIN.



L11 LOCATION 11
NORTH END OF THIRD STREET

LOCATION 11 NOTES

1. DURING STAGE 3A, INSTALL TEMPORARY LINE STOPS ON EXISTING 8" WATER MAIN BEFORE CONNECTING PROPOSED 8" WATER MAIN AT 8" WATER VALVE, W272.
2. USE SAMPLING TAP A TO SAMPLE PROPOSED 8" WATER MAIN AND FOR PRESSURE TEST.
3. USE SAMPLING TAP B TO SAMPLE PROPOSED 8" WATER MAIN AND FOR PRESSURE TEST BETWEEN VALVES AS SHOWN.
4. USE SAMPLING TAP C FOR BOIL ORDER SAMPLE AND TO REMOVE AIR IN THE WATER MAIN LINE.
5. CUT AND CAP EXISTING 8" WATER MAIN.



L12 LOCATION 12
THIRD STREET

LOCATION 12 NOTES

1. DURING STAGE 3A, INSTALL TEMPORARY LINE STOPS BEFORE CONNECTING PROPOSED 8" WATER MAIN TO EXISTING 8" WATER MAIN AT 8" VALVE, W260. PERFORM THIS CONNECTION AFTER CONNECTION AT LOCATION 11 IS ESTABLISHED.
2. USE SAMPLING TAP A FOR BOIL ORDER SAMPLE, AND TO REMOVE AIR IN THE WATER MAIN LINE.
3. USE SAMPLING TAP B TO SAMPLE PROPOSED 8" WATER MAIN AND FOR PRESSURE TEST BETWEEN VALVES AS SHOWN.
4. USE SAMPLING TAP C TO SAMPLE PROPOSED 8" WATER MAIN AND FOR PRESSURE TEST.
5. CUT AND CAP EXISTING 8" WATER MAIN.



FILE NAME = p:\c0010720_mcore\plans\sheets\Project2\P2-sht-water-basemap-details.dgn
 PLOT DATE = 3/23/2016 4:55:30 PM

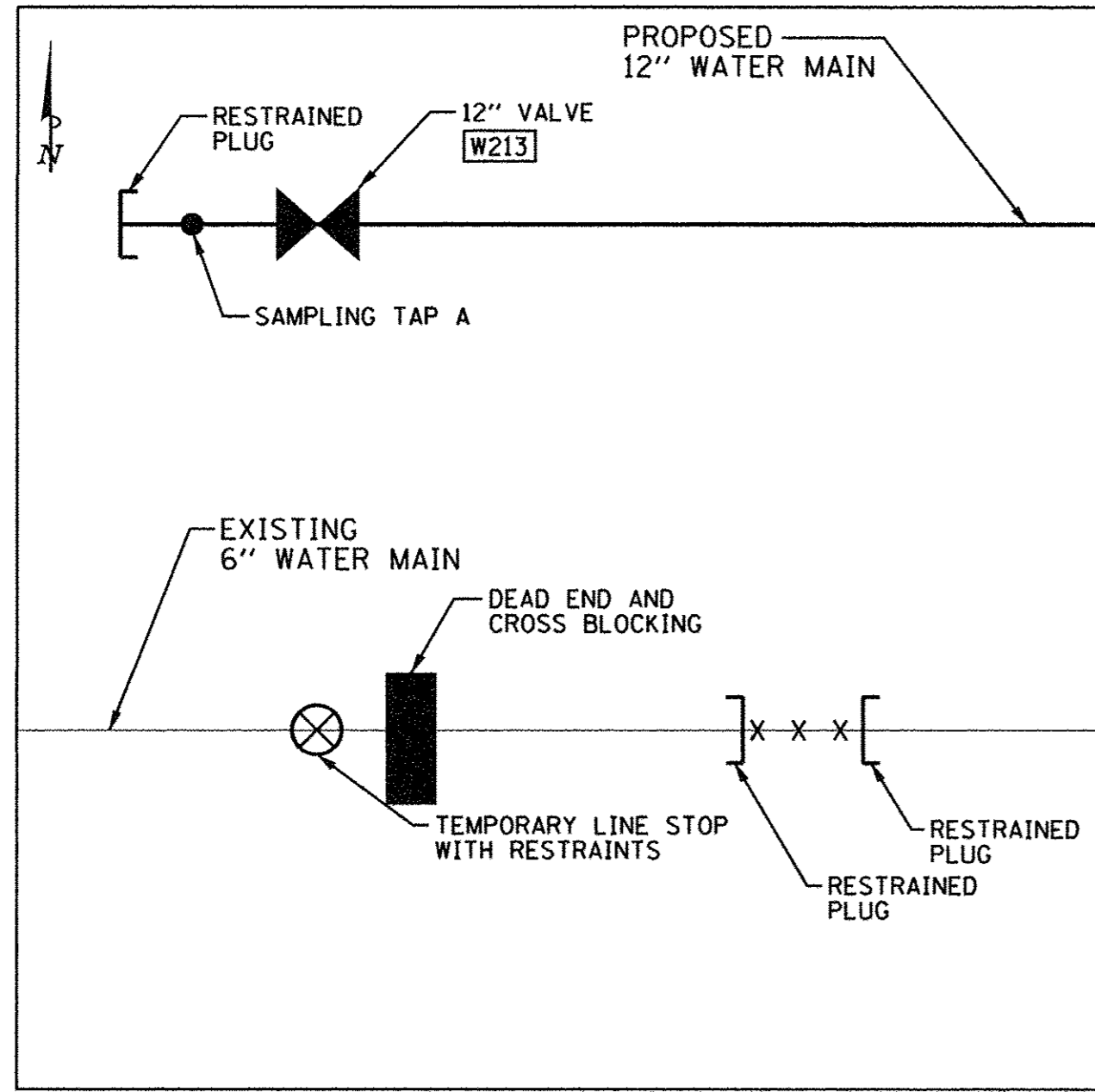
DESIGNED - R.J.H.	REVISED -
DRAWN - R.J.H.	REVISED -
CHECKED - C.S.G.	REVISED -
DATE - MARCH 2016	REVISED -

STATE OF ILLINOIS
DEPARTMENT OF TRANSPORTATION

WATER MAIN PLANS
STAGE CONSTRUCTION

SCALE : NONE SHEET NO. 201 OF 412 SHEETS STA. TO STA.

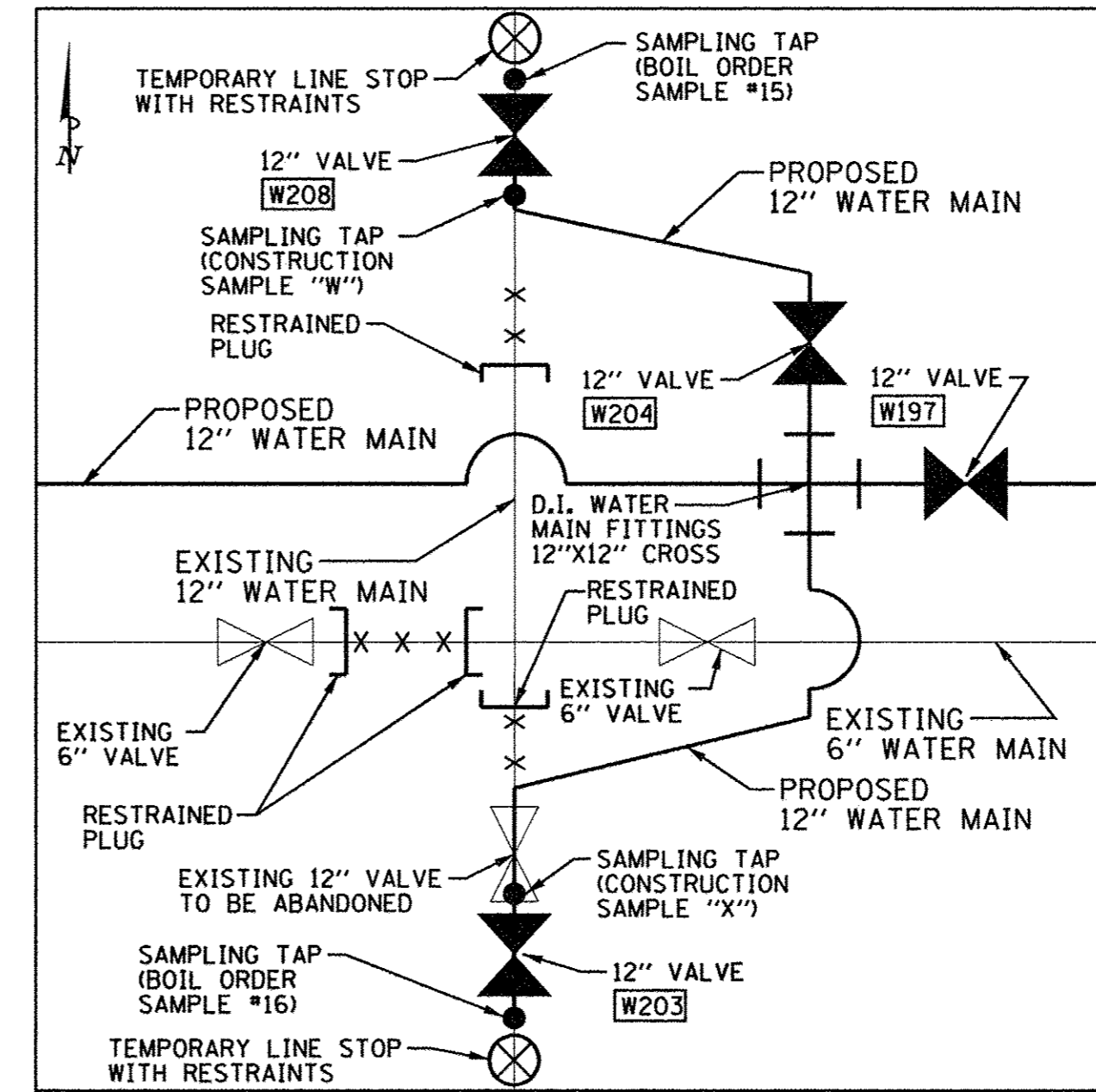
F.A.U. RTE.	SECTION	COUNTY	TOTAL SHEETS	SHEET NO.
7126	15-00304-02-PV	CHAMPAIGN	412	201
MCORE PROJECT 2		CONTRACT NO. 91540		
JOB NO. C-95-306-16 ILLINOIS FED. AID PROJECT TIG-5181(058)				



L13 LOCATION 13
APPROXIMATELY 60' WEST
OF THIRD STREET

LOCATION 13 NOTES

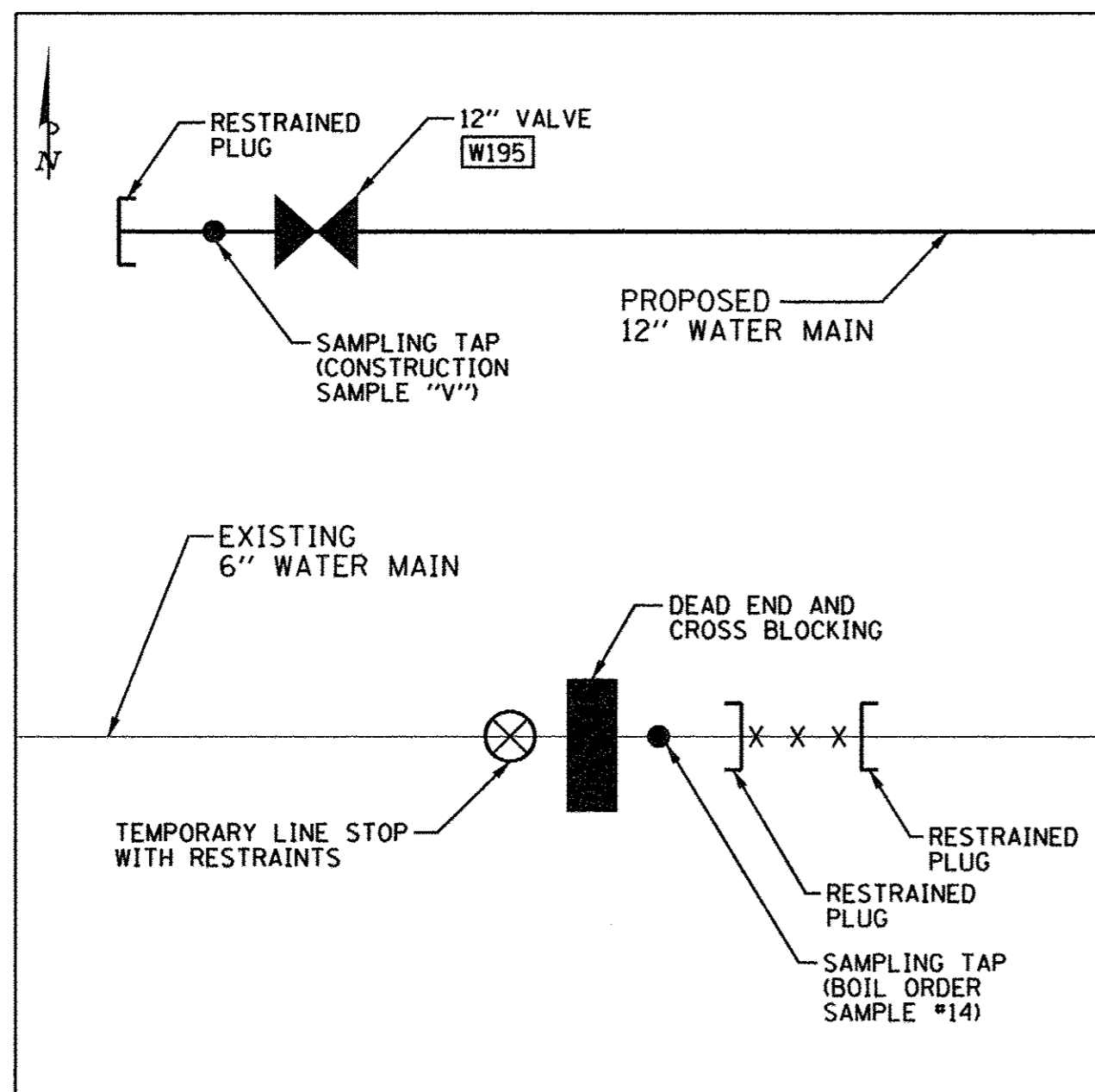
1. INSTALL PROPOSED 12" WATER MAIN BEYOND STAGE 3A LIMITS AT 12" VALVE, W213. PLUG NEW 12" WATER MAIN AT 12" VALVE, W213.
2. FLUSH AND TEST NEW 12" WATER MAIN.
3. CONNECT SERVICE LINES TO NEW 12" WATER MAIN.
4. USE LINE STOP TO CUT AND CAP EXISTING 6" WATER MAIN AT LOCATION 13 AS SHOWN.



L14 LOCATION 14
SECOND STREET

LOCATION 14 NOTES

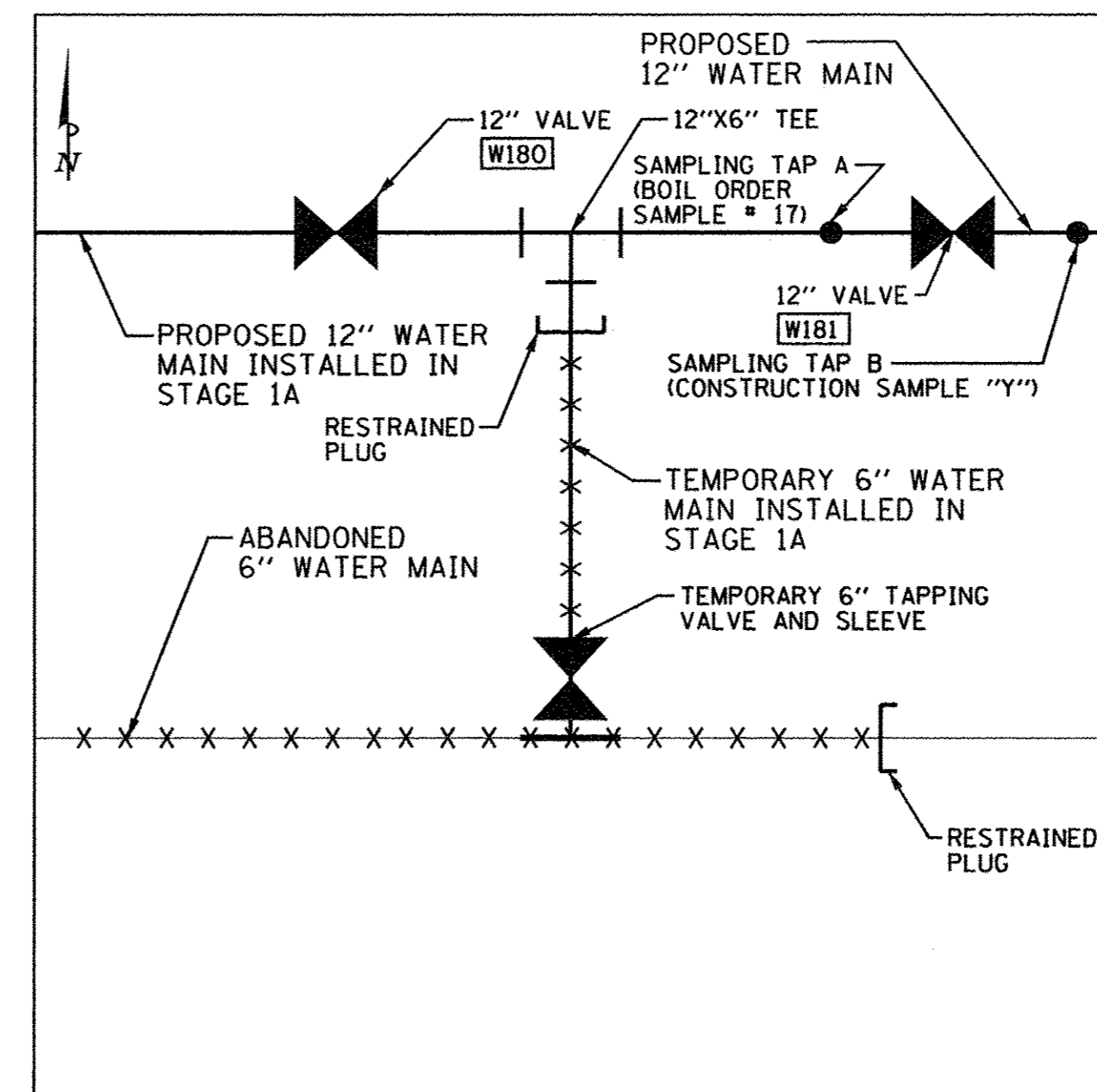
1. INSTALL LINE STOPS NORTH AND SOUTH OF INTERSECTION AS SHOWN IN WATER MAIN PLANS.
2. INSTALL NEW 12" WATER MAIN PARALLEL TO GREEN STREET TO BEYOND WEST LIMIT OF STAGE 3B, AT 12" VALVE, W195.
3. INSTALL NEW 12" WATER MAIN PARALLEL TO SECOND STREET WITH 12" X 12" CROSS AS SHOWN.
4. FLUSH, SAMPLE, PLACE NEW 12" WATER MAIN ON GREEN STREET IN SERVICE, AND TIE OVER SERVICE LINES BEFORE CONNECTING TO EXISTING 12" WATER MAIN ON SECOND STREET AND ABANDONING EXISTING 6" AND 12" WATER MAINS.
5. CONNECT NEW 12" WATER MAIN PARALLEL TO SECOND STREET TO EXISTING 12" WATER MAIN, AT 12" VALVES W208 AND W203.
6. FLUSH AND TEST NEW 12" WATER MAIN ON SECOND STREET FROM EAST USING SAMPLING TAPS SHOWN IN LOCATION 14.



L15 LOCATION 15
APPROXIMATELY 60' WEST
OF SECOND STREET

LOCATION 15 NOTES

1. INSTALL NEW 12" WATER MAIN BEYOND STAGE 3B LIMITS, EAST OF 12" VALVE, W195.
2. FLUSH AND TEST NEW 12" WATER MAIN.
3. CONNECT SERVICE LINE TO NEW 12" WATER MAIN.
4. USE LINE STOP TO CUT AND CAP EXISTING 6" WATER MAIN.



L16 LOCATION 16
APPROXIMATELY 100' EAST
OF FIRST STREET

LOCATION 16 NOTES

1. INSTALL CONNECTION BETWEEN NEW 12" WATER MAIN FROM STAGE 1C AND NEW 12" WATER MAIN FROM STAGE 3C, AT 12" VALVE, W180.
2. USE SAMPLING TAP B TO BLEED OFF AIR, FOR PRESSURE TEST, AND TO SAMPLE THE NEW 12" WATER MAIN.
3. USE SAMPLING TAP A TO SAMPLE REMAINING SECTION OF NEW 12" WATER MAIN.
4. CONNECT SERVICE LINES TO NEW 12" WATER MAIN.
5. CLOSE 12" VALVES, W180 AND W181, LOCATED ON BOTH SIDES OF THE 12" X 6" TEE, CLOSE 6" TAPPING VALVE, AND RETIRE TEMPORARY 6" WATER MAIN.



FILE NAME = P:\C0010720_MC0RE\PPlans\sheets\Project2\P2-sht-water-basemap-detail1.s.dgn
PLOT DATE = 8/24/2016 3:13:20 PM

DESIGNED - R.J.H.	REVISED - R.J.H.
DRAWN - R.J.H.	REVISED - R.J.H.
CHECKED - C.S.G.	REVISED - J.L.E.
DATE - MARCH 2016	REVISED - AUGUST 2016

STATE OF ILLINOIS
DEPARTMENT OF TRANSPORTATION

WATER MAIN PLANS
STAGE CONSTRUCTION

SCALE : NONE SHEET NO. 202 OF 412 SHEETS STA. TO STA.

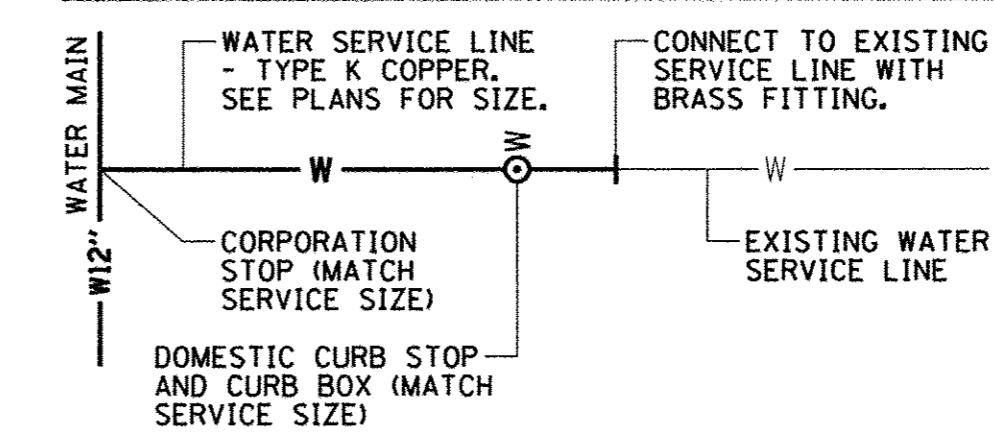
F.A.U. RTE.	SECTION	COUNTY	TOTAL SHEETS	SHEET NO.
7126	15-00304-02-PV	CHAMPAIGN	412	202
MCORE PROJECT 2			CONTRACT NO. 91540	
JOB NO. C-95-306-16 ILLINOIS FED. AID PROJECT T16-5181(05B)				

WATER MAIN GENERAL NOTES

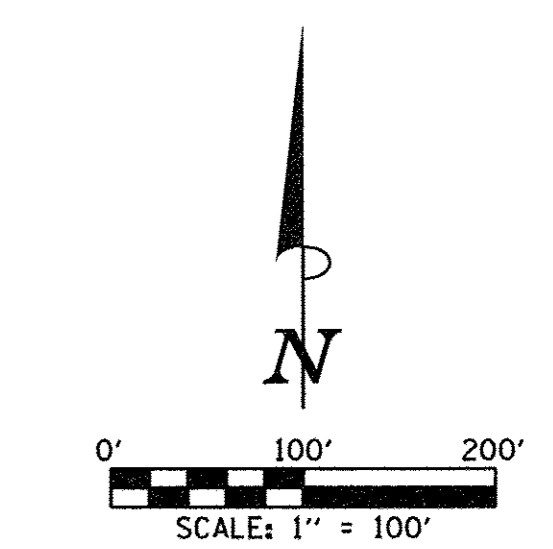
1. ELEVATIONS ARE BOTTOM OF PIPE FOR WATER MAIN.
2. MINIMUM COVER FROM TOP OF WATER MAIN TO FINISHED GRADE ELEVATION SHALL BE 42 INCHES WITH A MAXIMUM OF 48 INCHES UNLESS NOTED OTHERWISE IN THE PLANS.
3. **PROPOSED WATER MAIN RESTRAINED JOINTS:**
ALL PROPOSED WATER MAIN PIPING JOINTS SHALL BE FIELD LOK GASKETS AND ALL PROPOSED WATER MAIN FITTINGS SHALL EITHER BE FIELD LOK GASKETS FOR PUSH-ON JOINT FITTINGS OR RETAINER GLANDS (MEGA LUGS) FOR MJ FITTINGS. ALL CONNECTIONS TO EXISTING WATER MAIN SHALL BE RESTRAINED JOINT. SEE SPECIAL PROVISIONS AND WATER MAIN DETAIL SHEETS FOR ADDITIONAL INFORMATION. THIS WORK WILL BE CONSIDERED INCLUDED IN THE CONTRACT UNIT PRICE PER FOOT FOR DUCTILE IRON WATER MAIN (SIZE SPECIFIED IN THE PLANS), RESTRAINED JOINT TYPE.
4. ALL WATER MAIN SYSTEMS AND WATER SERVICES WITHIN TWO FEET LATERALLY OF THE PROPOSED PAVEMENT, DRIVEWAY PAVEMENT, SIDEWALK OR CURB AND GUTTER SHALL BE BACKFILLED WITH SAND ONE FOOT ABOVE PIPE AND THEN CONTROLLED LOW-STRENGTH MATERIAL (CLSM) AS SHOWN ON THE WATER MAIN DETAILS AND IN ACCORDANCE WITH THE SPECIAL PROVISIONS. THE SAND BACKFILL TO ONE FOOT ABOVE PIPE WILL NOT BE PAID FOR SEPARATELY AND WILL BE CONSIDERED INCLUDED IN THE CONTRACT UNIT PRICE PER FOOT FOR DUCTILE IRON WATER MAIN AND WATER SERVICE LINE (SIZE SPECIFIED IN THE PLANS). SEE WATER MAIN DETAILS FOR TRENCH BACKFILL REQUIREMENTS.
5. EXISTING WATER VALVE BOXES THAT ARE WITHIN THE PROJECT PROPOSED PAVING AREA WILL BE REMOVED AND REPLACED. INSTALL NEW VALVE BOX OVER EXISTING VALVE AND ADJUST NEW BOX LID TO THE PROPOSED FINISH GRADE. THIS WORK WILL BE CONSIDERED INCLUDED IN THE CONTRACT UNIT PRICE EACH FOR VALVE BOXES TO BE ADJUSTED (SPECIAL).
6. IT WILL BE NECESSARY TO CONSTRUCT THE WATER MAIN IN VARIOUS STAGES. SEE STAGE CONSTRUCTION AND MAINTENANCE OF TRAFFIC PLANS FOR ADDITIONAL INFORMATION.
7. SEE THE ROADWAY PLAN AND PROFILE SHEETS FOR STORM SEWER INFORMATION.
8. CONTRACTOR TO VERIFY DEPTH OF UTILITIES AND EXISTING WATER MAIN PRIOR TO CONSTRUCTION. WHEN CONNECTIONS ARE TO BE MADE TO EXISTING PIPING AND FITTINGS, THE LOCATION AND ELEVATION OF THE EXISTING PIPING SHALL BE FIELD DETERMINED AND THE APPROPRIATE ADJUSTMENTS MADE.
9. CONTRACTOR TO PROVIDE ALL PIPING & GASKETS, FITTINGS, AND HARDWARE NECESSARY TO CONNECT TO EXISTING WATER MAIN. SEE WATER MAIN DETAILS FOR ADDITIONAL INFORMATION.

10. WHEREVER THE NEW WATER MAIN CROSSES OTHER UTILITIES AND THE SEPARATION BETWEEN THE PIPES IS LESS THAN 4 INCHES, THE CONTRACTOR SHALL PLACE RIGID INSULATION BOARD BETWEEN THE NEW WATER MAIN PIPE AND UTILITY PIPE.
11. CONTRACTOR TO FIELD VERIFY EXISTING WATER SERVICES TO PROVIDE 1" MINIMUM WATER SERVICE LINE, CORPORATION STOP, CURB STOP AND CURB BOX, AND NECESSARY FITTINGS AND HARDWARE FOR CONNECTION TO RESIDENTIAL SERVICE LINES. SEE WATER MAIN DETAILS FOR ADDITIONAL INFORMATION.
12. CONTRACTOR TO PROVIDE FOR FLUSHING AND SAMPLING TAPS EVERY 1200 FEET, AT THE END OF STAGE CONSTRUCTION LIMITS, AND AS DIRECTED BY THE ENGINEER. SEE WATER MAIN STAGE CONSTRUCTION DETAILS FOR MORE INFORMATION.
13. THE EXISTING WATER MAINS TO BE RETIRED WITHIN THE PROJECT LIMITS SHALL BE REMOVED OR ABANDONED IN PLACE INCLUDING THE DOMESTIC WATER SERVICE LINES. EXPOSED ENDS OF ABANDONED LINES SHALL BE PLUGGED OR CAPPED IN A WATERTIGHT MANNER. ALL RETIRED WATER VALVE BOXES, DOMESTIC CURB STOP BOXES, AND DEAD END AND CROSS BLOCKING INSTALLED FOR STAGING PURPOSES SHALL BE REMOVED. THIS WORK WILL BE CONSIDERED INCLUDED IN THE CONTRACT UNIT PRICE LUMP SUM FOR WATER MAIN TO BE ABANDONED.
14. CONTRACTOR WILL OPERATE ANY EXISTING VALVES REQUIRED TO COMPLETE THE FLUSHING, DISINFECTING, AND PRESSURE TESTING. CONTRACTOR SHALL NOTIFY ILLINOIS AMERICAN WATER (ILAW) REPRESENTATIVE AT LEAST 48 HOURS PRIOR TO BEGINNING THIS PROCESS WHEN CUSTOMERS ARE AFFECTED. SEE SPECIAL PROVISIONS.
15. CONTACT ILAW REPRESENTATIVE ELIZABETH DOELLMAN AT (217)373-3273 OR (217)493-7950 BEFORE SHUTTING DOWN WATER MAIN AND WHEN WATER SERVICE IS RESUMED. CONTACT ILAW REPRESENTATIVE RITCHIE GLENN AT (217)373-3234 OR (217)621-4952 AT LEAST 48 HOURS PRIOR TO MAKING CONNECTIONS TO NEW WATER MAIN SO BOIL THAT ORDER NOTICES CAN BE ISSUED.
16. A RESIDENT PROJECT REPRESENTATIVE OF ILLINOIS AMERICAN WATER COMPANY WILL BE RESPONSIBLE FOR COLLECTING GPS DATA OF THE PROPOSED IMPROVEMENTS INCLUDING ALL FIRE HYDRANTS, VALVES, CORPORATION STOPS, METER PITS, FITTINGS, DEFLECTION POINTS AND HORIZONTAL ALIGNMENT POINTS AT 100 FOOT MAXIMUM INTERVALS ALONG THE WATER MAIN. THE CONTRACTOR WILL BE RESPONSIBLE FOR COORDINATING AND COOPERATING WITH THE RESIDENT PROJECT REPRESENTATIVE WHILE THEY PERFORM THEIR WORK. WHEN POSSIBLE THIS DATA WILL BE COLLECTED AFTER THE PIPING AND APPURTENANCES ARE INSTALLED, BUT BEFORE THE TRENCH IS BACKFILLED. IF GPS DATA IS NOT COLLECTED WHILE THE TRENCH IS OPEN, THE CONTRACTOR SHALL INSTALL 2 3/8" X 4 7/8" WOOD VERTICAL RISER MARKERS AT EACH BURIED FEATURE OR PROVIDE A MINIMUM OF HORIZONTAL TIES FOR EACH FEATURE WITH WRITTEN DOCUMENTATION SHEETS PROVIDED TO THE REPRESENTATIVE AND ENGINEER. IF WOOD RISERS ARE USED, THEY SHOULD BE PLUMB AND EXTEND TO 2 FEET ABOVE GRADE AND THE TOPS SHOULD BE PAINTED BLUE. THE RISERS SHALL BE MARKED ABOVE GRADE WITH PAINT OR PERMANENT MARKERS TO IDENTIFY THE TYPE OF FEATURE BEING MARKED (I.E. VALVE, 45 DEG. ELBOW, ETC.). ANY COST ASSOCIATED WITH THESE REQUIREMENTS OR FOR DELAYS IN THE PROJECT WILL NOT BE CONSIDERED FOR PAYMENT AND NO ADDITIONAL COMPENSATION WILL BE ALLOWED.

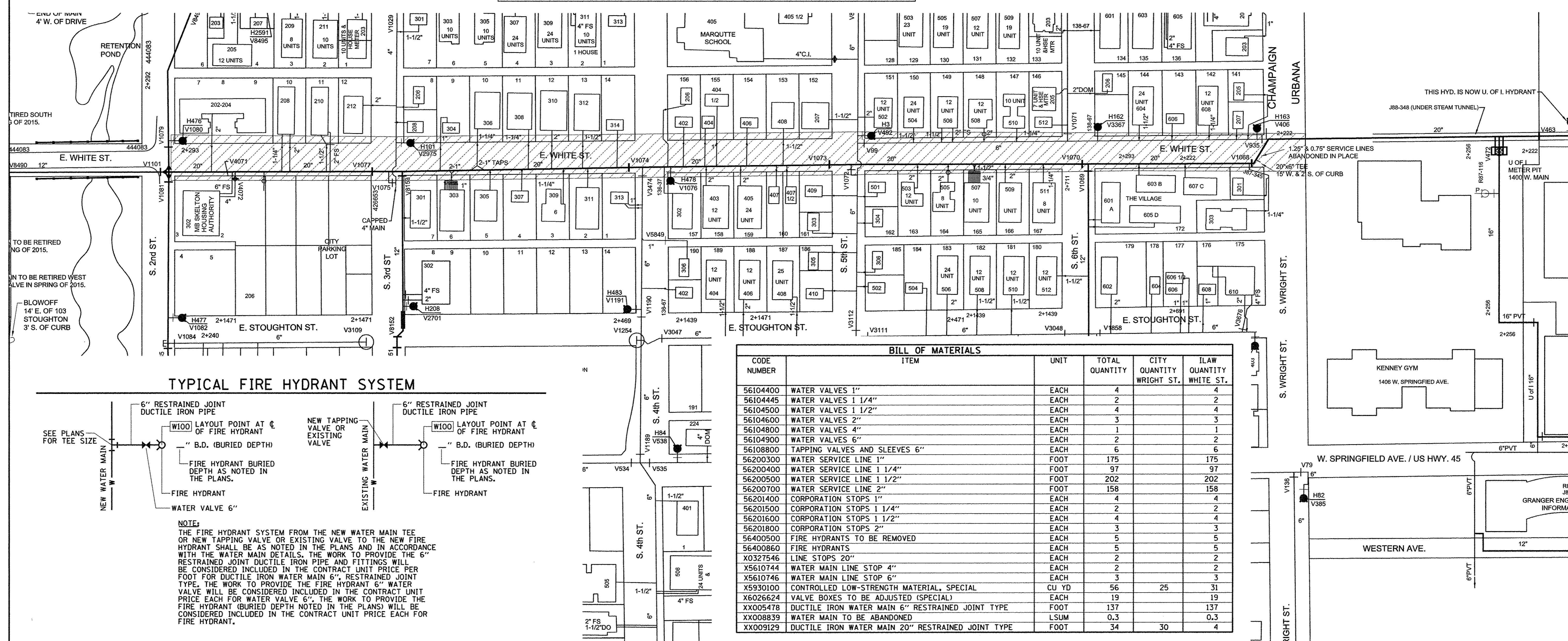
TYPICAL 1", 1/4", 1/2", AND 2" WATER SERVICE LINE



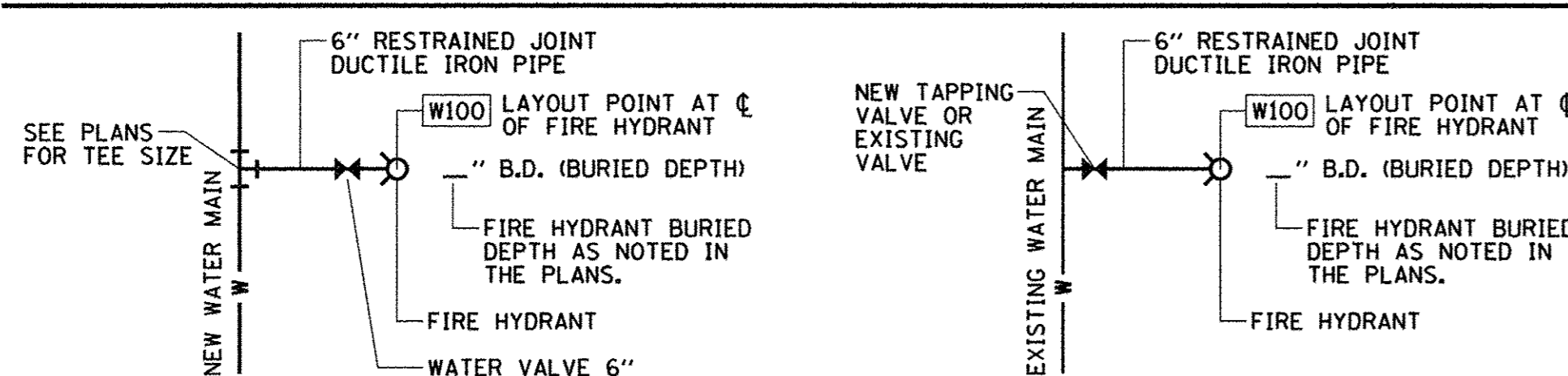
NOTE:
THE WORK TO PROVIDE THE NEW WATER SERVICE LINE AND NECESSARY FITTINGS AND HARDWARE FOR CONNECTION TO EXISTING SERVICE LINE WILL BE CONSIDERED INCLUDED IN THE CONTRACT UNIT PRICE PER FOOT FOR WATER SERVICE LINE (SIZE SPECIFIED IN THE PLANS). THE WORK TO PROVIDE A DOMESTIC CURB STOP AND CURB BOX WILL BE CONSIDERED INCLUDED IN THE CONTRACT UNIT PRICE EACH FOR WATER VALVES (SIZE SPECIFIED IN THE PLANS). THE WORK TO PROVIDE FOR CORPORATION STOP WILL BE CONSIDERED INCLUDED IN THE CONTRACT UNIT PRICE EACH FOR CORPORATION STOP (SIZE SPECIFIED IN THE PLANS). SEE WATER MAIN DETAILS FOR ADDITIONAL INFORMATION.



LEGEND
 MCORE PROJECT 3 WATER MAIN INSTALLATION PROJECT LIMITS



TYPICAL FIRE HYDRANT SYSTEM



NOTE:
THE FIRE HYDRANT SYSTEM FROM THE NEW WATER MAIN TEE OR NEW TAPPING VALVE OR EXISTING VALVE TO THE NEW FIRE HYDRANT SHALL BE AS NOTED IN THE PLANS AND IN ACCORDANCE WITH THE WATER MAIN DETAILS. THE WORK TO PROVIDE THE 6" RESTRAINED JOINT DUCTILE IRON PIPE AND FITTINGS WILL BE CONSIDERED INCLUDED IN THE CONTRACT UNIT PRICE PER FOOT FOR DUCTILE IRON WATER MAIN 6", RESTRAINED JOINT TYPE. THE WORK TO PROVIDE THE FIRE HYDRANT 6" WATER VALVE WILL BE CONSIDERED INCLUDED IN THE CONTRACT UNIT PRICE EACH FOR WATER VALVE 6". THE WORK TO PROVIDE THE FIRE HYDRANT (BURIED DEPTH NOTED IN THE PLANS) WILL BE CONSIDERED INCLUDED IN THE CONTRACT UNIT PRICE EACH FOR FIRE HYDRANT.

BILL OF MATERIALS				
CODE NUMBER	ITEM	UNIT	TOTAL QUANTITY	ILAW QUANTITY WHITE ST.
56104400	WATER VALVES 1"	EACH	4	4
56104445	WATER VALVES 1 1/4"	EACH	2	2
56104500	WATER VALVES 1 1/2"	EACH	4	4
56104600	WATER VALVES 2"	EACH	3	3
56104800	WATER VALVES 4"	EACH	1	1
56104900	WATER VALVES 6"	EACH	2	2
56108800	TAPPING VALVES AND SLEEVES 6"	EACH	6	6
56200300	WATER SERVICE LINE 1"	FOOT	175	175
56200400	WATER SERVICE LINE 1 1/4"	FOOT	97	97
56200500	WATER SERVICE LINE 1 1/2"	FOOT	202	202
56200700	WATER SERVICE LINE 2"	FOOT	158	158
56201400	CORPORATION STOPS 1"	EACH	4	4
56201500	CORPORATION STOPS 1 1/4"	EACH	2	2
56201600	CORPORATION STOPS 1 1/2"	EACH	4	4
56201800	CORPORATION STOPS 2"	EACH	3	3
56400500	FIRE HYDRANTS TO BE REMOVED	EACH	5	5
56400860	FIRE HYDRANTS	EACH	5	5
X0327546	LINE STOPS 20"	EACH	2	2
X5610744	WATER MAIN LINE STOP 4"	EACH	2	2
X5610746	WATER MAIN LINE STOP 6"	EACH	3	3
X5930100	CONTROLLED LOW-STRENGTH MATERIAL, SPECIAL	CU YD	56	25
X6026624	VALVE BOXES TO BE ADJUSTED (SPECIAL)	EACH	19	19
XX005478	DUCTILE IRON WATER MAIN 6" RESTRAINED JOINT TYPE	FOOT	137	137
XX008839	WATER MAIN TO BE ABANDONED	LSUM	0.3	0.3
XX009129	DUCTILE IRON WATER MAIN 20" RESTRAINED JOINT TYPE	FOOT	34	30

FILE NAME = P:\0010720_MCORE\Plans\sheet\Project3\P3-sht-WHI-water\Inprof.dgn
 PLOT DATE = 8/24/2016 3:13:46 PM

DESIGNED - R.J.H. REVISED - R.J.H.
 DRAWN - R.J.H. REVISED - R.J.H.
 CHECKED - C.S.G. REVISED - J.L.E.
 DATE - MARCH 2016 REVISED - AUGUST 2016

STATE OF ILLINOIS
DEPARTMENT OF TRANSPORTATION

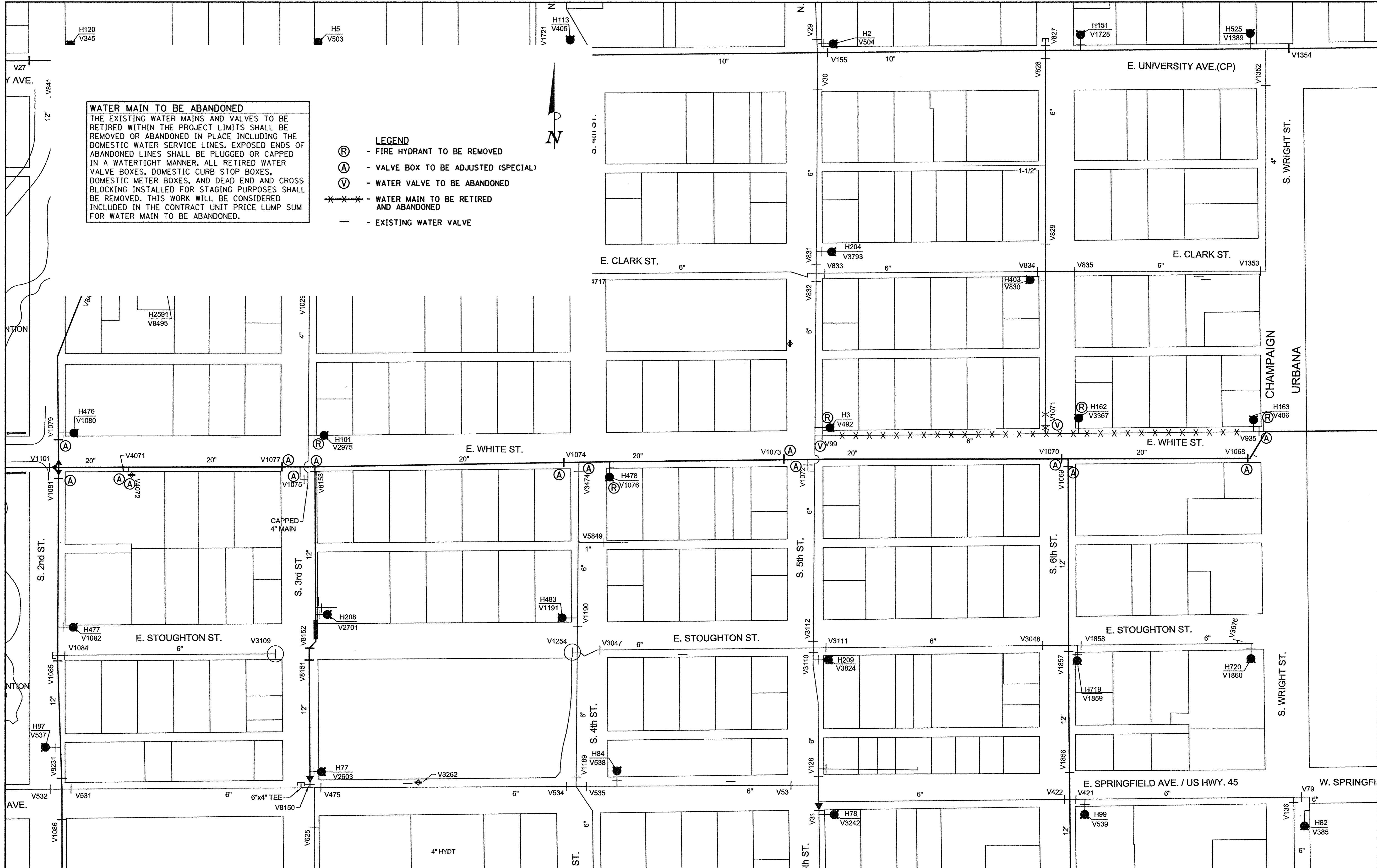
WATER MAIN PLANS
GENERAL NOTES AND BILL OF MATERIALS

SCALE: 1"=100' SHEET NO. 203 OF 412 SHEETS STA. TO STA.

F.A.U. RTE.	SECTION	COUNTY	TOTAL SHEETS	SHEET NO.
	15-00304-02-PV	CHAMPAIGN	412	203
MCORE PROJECT 3		CONTRACT NO. 91540		
JOB NO. C-95-306-16 ILLINOIS FED. AID PROJECT TIG-51810581				

WATER MAIN TO BE ABANDONED
 THE EXISTING WATER MAINS AND VALVES TO BE RETIRED WITHIN THE PROJECT LIMITS SHALL BE REMOVED OR ABANDONED IN PLACE INCLUDING THE DOMESTIC WATER SERVICE LINES. EXPOSED ENDS OF ABANDONED LINES SHALL BE PLUGGED OR CAPPED IN A WATERTIGHT MANNER. ALL RETIRED WATER VALVE BOXES, DOMESTIC CURB STOP BOXES, DOMESTIC METER BOXES, AND DEAD END AND CROSS BLOCKING INSTALLED FOR STAGING PURPOSES SHALL BE REMOVED. THIS WORK WILL BE CONSIDERED INCLUDED IN THE CONTRACT UNIT PRICE LUMP SUM FOR WATER MAIN TO BE ABANDONED.

- LEGEND**
- (R) - FIRE HYDRANT TO BE REMOVED
 - (A) - VALVE BOX TO BE ADJUSTED (SPECIAL)
 - (V) - WATER VALVE TO BE ABANDONED
 - *** - WATER MAIN TO BE RETIRED AND ABANDONED
 - - EXISTING WATER VALVE



FILE NAME = p:\c0010720_mcore\plans\sheets\Project3\3-sht-WHI-waterp1nprof.dgn
 PLOT DATE = 3/23/2016 4:55:41 PM

DESIGNED - R.J.H.	REVISED -
DRAWN - R.J.H.	REVISED -
CHECKED - C.S.G.	REVISED -
DATE - MARCH 2016	REVISED -

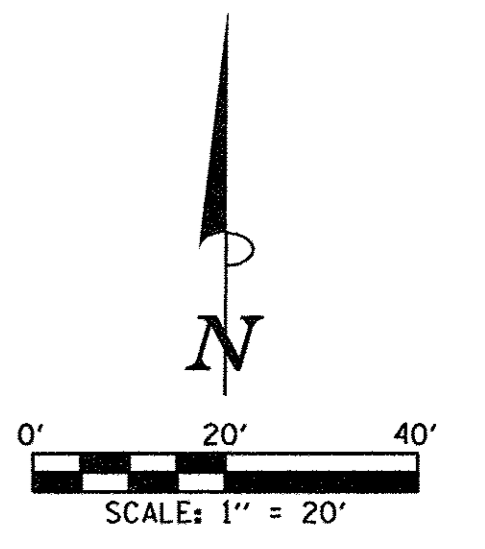
STATE OF ILLINOIS
 DEPARTMENT OF TRANSPORTATION

WATER MAIN PLANS
EXISTING WATER MAIN TO BE ABANDONED

SCALE : 1"=80' SHEET NO. 204 OF 412 SHEETS STA. TO STA.

F.A.U. RTE.	SECTION	COUNTY	TOTAL SHEETS	SHEET NO.
	15-00304-02-PV	CHAMPAIGN	412	204
MCORE PROJECT 3		CONTRACT NO. 91540		
JOB NO. C-95-306-16 ILLINOIS FED. AID PROJECT TIG-5181058				

SEC. 7, T.19N., R.9E., 3rd P.M.
CHAMPAIGN COUNTY, ILLINOIS

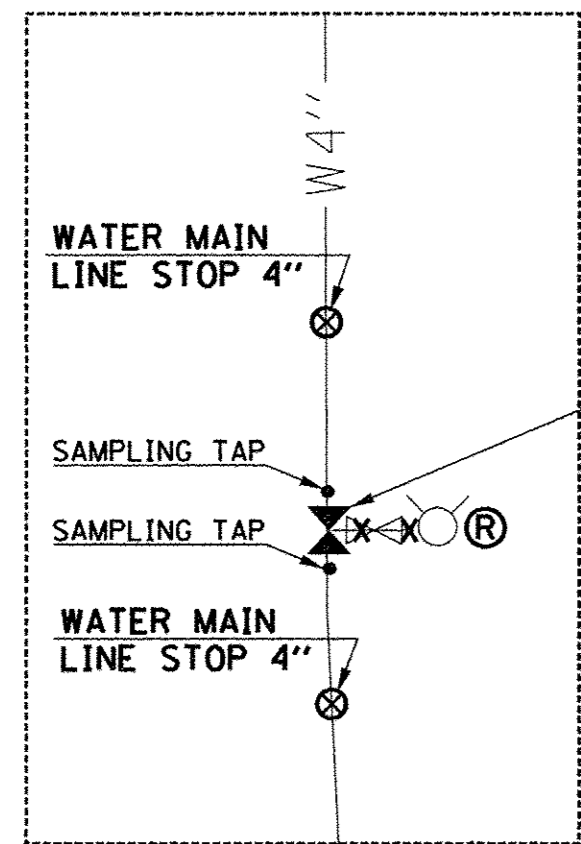


BEGIN IMPROVEMENTS
WHITE STREET
STA. 3000+70.00
(MATCH EXISTING)

PROPOSED C
WHITE ST.

SEC. 7, T.19N., R.9E., 3rd P.M.
CHAMPAIGN COUNTY, ILLINOIS

- LEGEND**
- Ⓐ - VALVE BOX TO BE ADJUSTED (SPECIAL)
 - Ⓔ - FIRE HYDRANT TO BE REMOVED
 - x x x - WATER MAIN TO BE ABANDONED
 - - STORM SEWER PIPE (WATER MAIN QUALITY)



NOTE:
ABANDON FIRE HYDRANT BY
REMOVING TEE AND INSTALLING
RESTRAINED WATER VALVE 4".

WATER VALVE 4"
STA. 3005+40.79
34.70' LT.

TAPPING VALVE AND SLEEVE 6"
STA. 3004+82.59
16.69' RT.

FIRE HYDRANT
STA. 3004+82.55
22.69' RT.
60" B.D.
BOTTOM ELEV.
= 730.50

PROPOSED C
THIRD ST.

SEC. 7, T.19N., R.9E., 3rd P.M.
CHAMPAIGN COUNTY, ILLINOIS

WATER SERVICE LINE 1"
STA. 3006+41.45
32.19' LT.

PROPOSED C
WHITE ST.

SEC. 7, T.19N., R.9E., 3rd P.M.
CHAMPAIGN COUNTY, ILLINOIS

SEE PLAN AND PROFILE SHEETS
FOR ADDITIONAL INFORMATION.

WATER MAIN TO BE ABANDONED
THE EXISTING WATER MAINS AND VALVES TO BE
RETIRED WITHIN THE PROJECT LIMITS SHALL BE
REMOVED OR ABANDONED IN PLACE INCLUDING THE
DOMESTIC WATER SERVICE LINES. EXPOSED ENDS
OF ABANDONED LINES SHALL BE PLUGGED OR
CAPPED IN A WATERTIGHT MANNER. ALL RETIRED
WATER VALVE BOXES, DOMESTIC CURB STOP BOXES,
AND DEAD END AND CROSS BLOCKING INSTALLED
FOR STAGING PURPOSES SHALL BE REMOVED. THIS
WORK WILL BE CONSIDERED INCLUDED IN THE
CONTRACT UNIT PRICE LUMP SUM FOR WATER MAIN
TO BE ABANDONED.



FILE NAME =
p:\c0010720_mcore\plans\sheets\Project3\p3-sht-WHI-water\p1nprof.dgn
PLOT DATE =
3/23/2016 4:55:49 PM

DESIGNED - R.J.H.	REVISED -
DRAWN - R.J.H.	REVISED -
CHECKED - C.S.G.	REVISED -
DATE - MARCH 2016	REVISED -

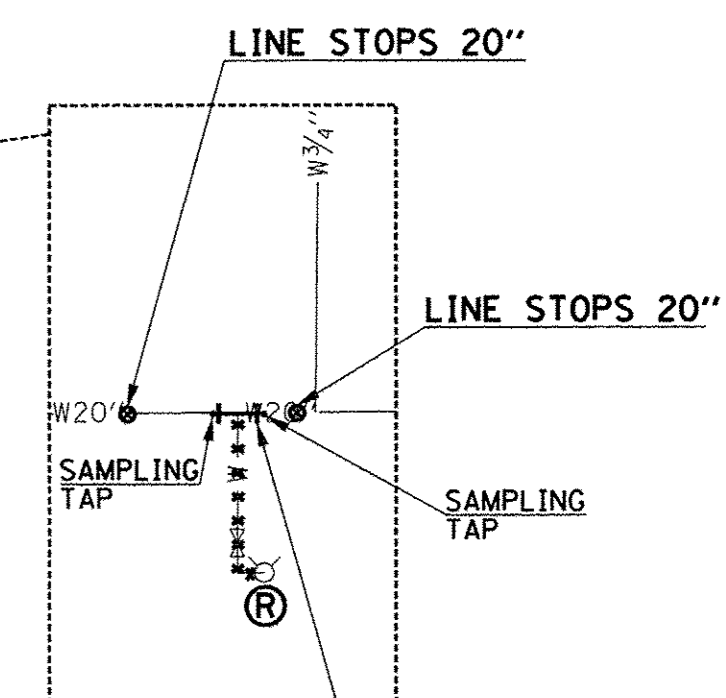
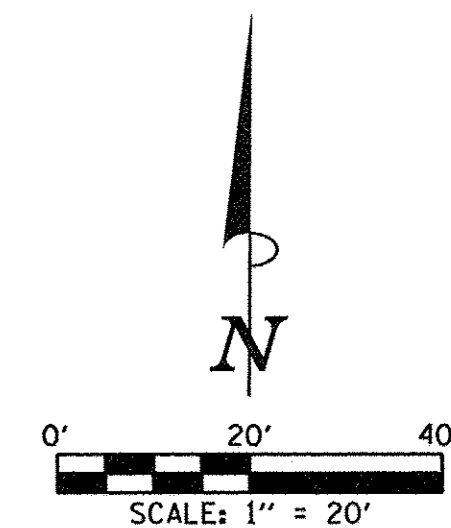
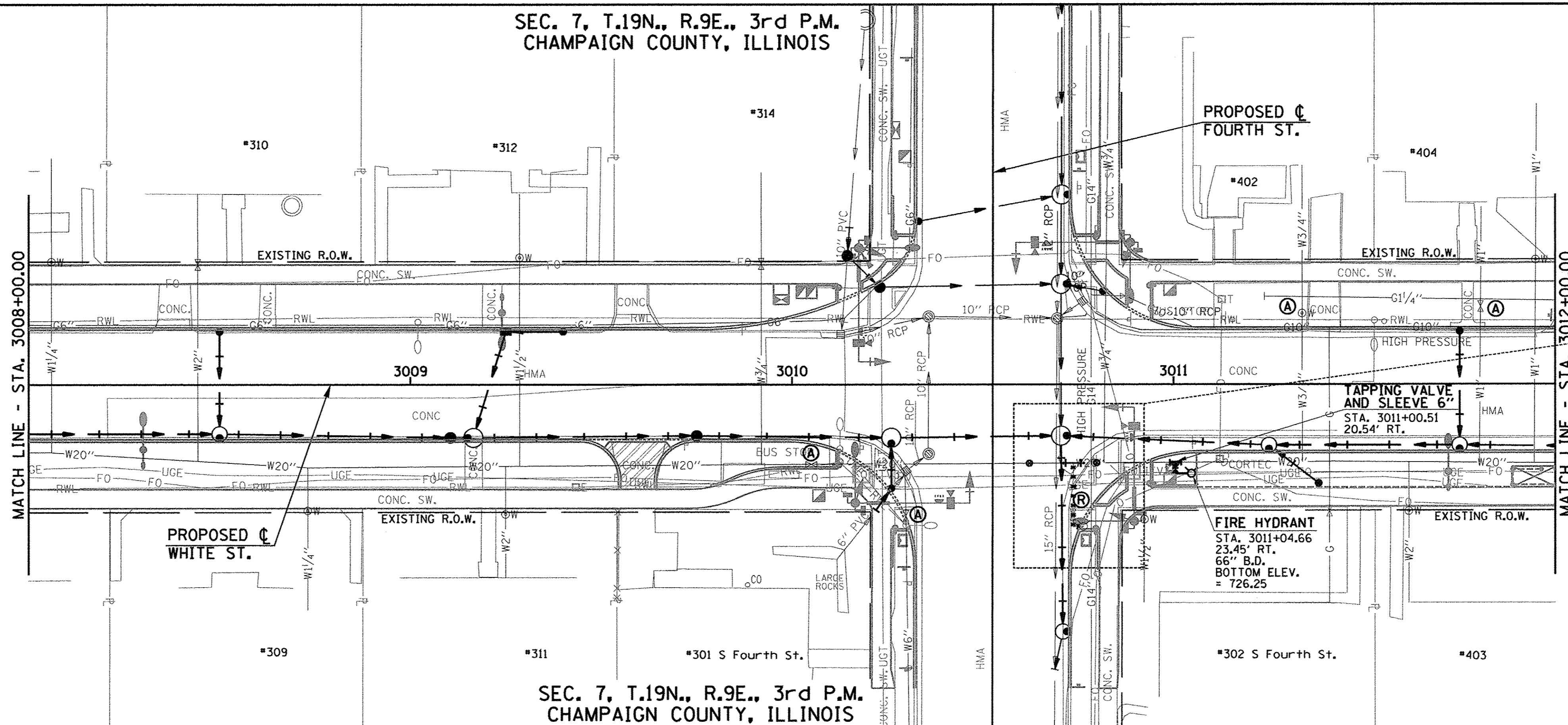
STATE OF ILLINOIS
DEPARTMENT OF TRANSPORTATION

WATER MAIN PLANS - WHITE STREET

SCALE: 1"=20' SHEET NO. 205 OF 412 SHEETS STA. 3000+00.00 TO STA. 3008+00.00

F.A.U. RTE.	SECTION	COUNTY	TOTAL SHEETS	SHEET NO.
	15-00304-02-PV	CHAMPAIGN	412	205
MCORE PROJECT 3		CONTRACT NO. 91540		
JOB NO. C-95-306-16 ILLINOIS FED. AID PROJECT TIG-5181058				

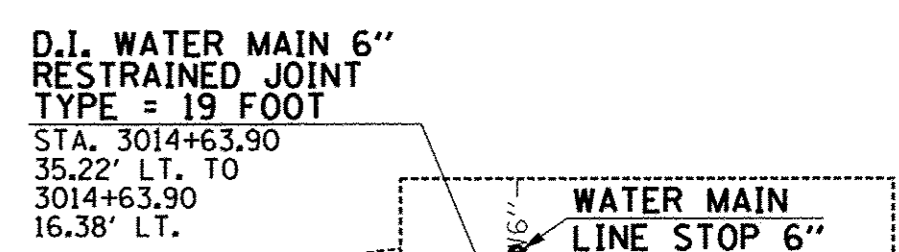
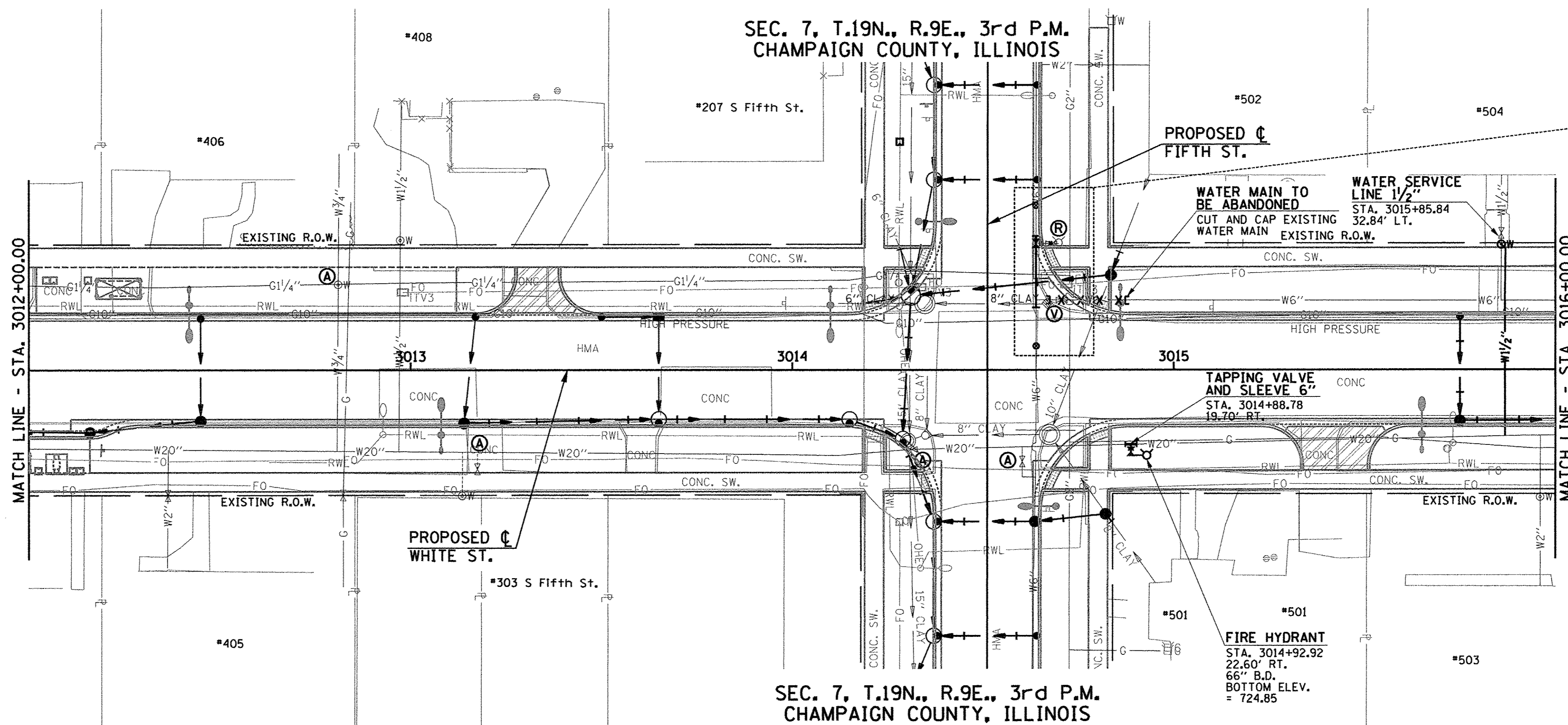
SEC. 7, T.19N., R.9E., 3rd P.M.
CHAMPAIGN COUNTY, ILLINOIS



NOTE: ABANDON FIRE HYDRANT BY REMOVING TEE AND INSTALLING 20" SPOOL PIECE AND 20" SOLID SLEEVES.

D.I. WATER MAIN 20" RESTRAINED JOINT TYPE = 4 FOOT
STA. 3010+71.71 TO STA. 3010+75.71 20.70' RT.

SEC. 7, T.19N., R.9E., 3rd P.M.
CHAMPAIGN COUNTY, ILLINOIS



D.I. WATER MAIN 6" RESTRAINED JOINT TYPE = 19 FOOT
STA. 3014+63.90 TO STA. 3014+83.90 35.22' LT.
STA. 3014+63.90 TO STA. 3014+75.71 16.38' LT.

NOTE: ABANDON FIRE HYDRANT AND 6" WATER MAIN ALONG WHITE ST. BY REMOVING TEES AND INSTALLING 6" VALVE, 6" RESTRAINED JOINT PIPE, AND 6" SOLID SLEEVES.

SEE PLAN AND PROFILE SHEETS FOR ADDITIONAL INFORMATION.

- LEGEND**
- (A) - VALVE BOX TO BE ADJUSTED (SPECIAL)
 - (R) - FIRE HYDRANT TO BE REMOVED
 - (V) - VALVE BOX TO BE REMOVED
 - x x x - WATER MAIN TO BE ABANDONED
 - - STORM SEWER PIPE (WATER MAIN QUALITY)

WATER MAIN TO BE ABANDONED

THE EXISTING WATER MAINS AND VALVES TO BE RETIRED WITHIN THE PROJECT LIMITS SHALL BE REMOVED OR ABANDONED IN PLACE INCLUDING THE DOMESTIC WATER SERVICE LINES. EXPOSED ENDS OF ABANDONED LINES SHALL BE PLUGGED OR CAPPED IN A WATERTIGHT MANNER. ALL RETIRED WATER VALVE BOXES, DOMESTIC CURB STOP BOXES, AND DEAD END AND CROSS BLOCKING INSTALLED FOR STAGING PURPOSES SHALL BE REMOVED. THIS WORK WILL BE CONSIDERED INCLUDED IN THE CONTRACT UNIT PRICE LUMP SUM FOR WATER MAIN TO BE ABANDONED.



FILE NAME = p:\c0010720_mcore\plans\sheets\Project3\P3-sht-WHI-waterp1nprof.dgn
PLOT DATE = 4/25/2016 9:48:09 AM

DESIGNED - R.J.H.	REVISED -
DRAWN - R.J.H.	REVISED -
CHECKED - C.S.G.	REVISED -
DATE - MARCH 2016	REVISED -

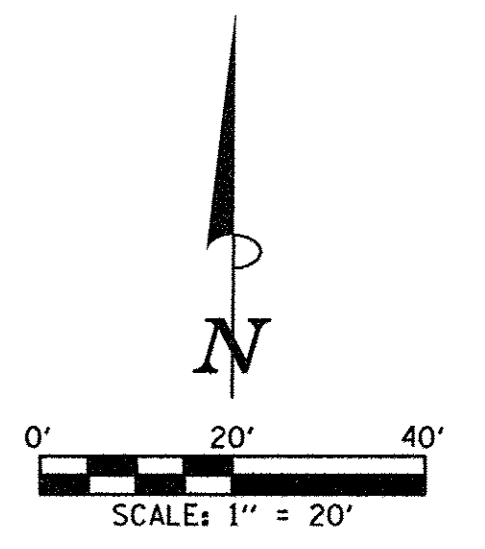
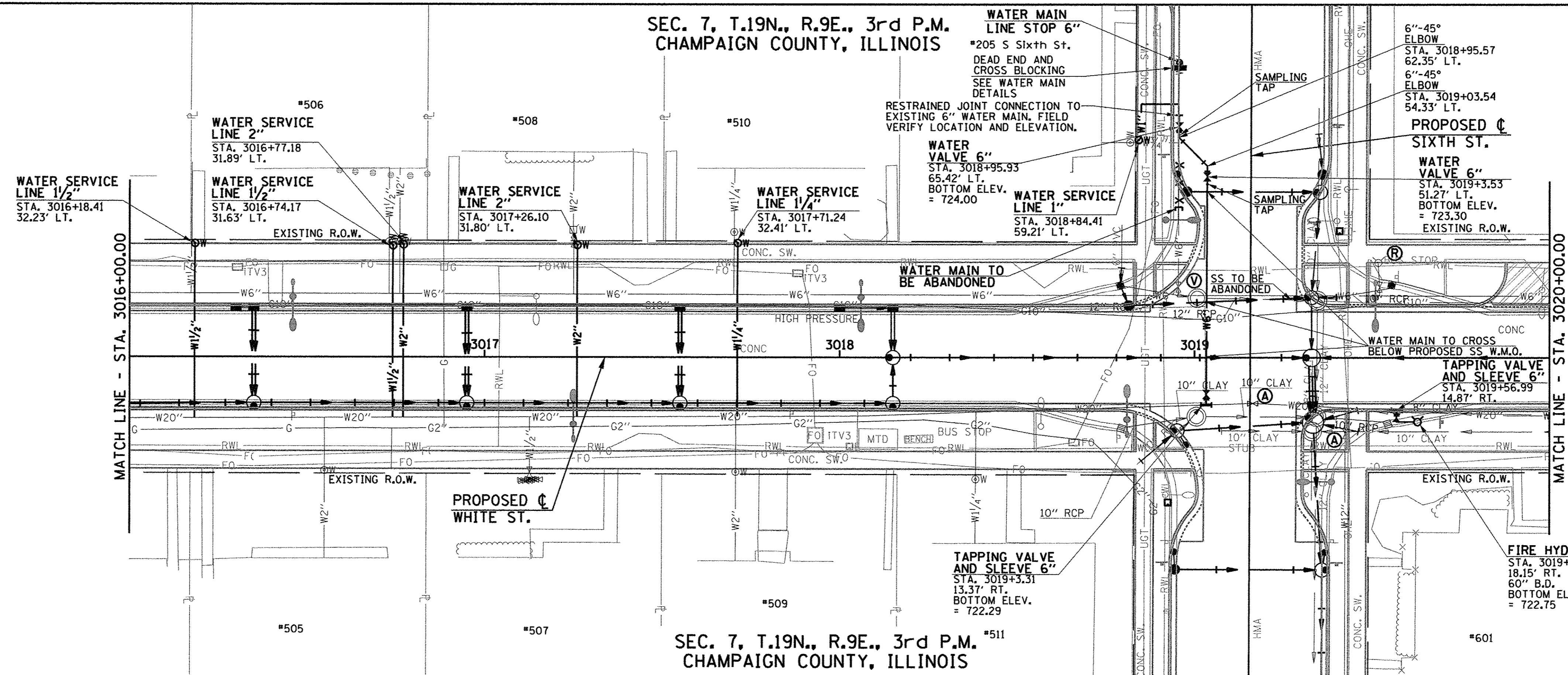
STATE OF ILLINOIS
DEPARTMENT OF TRANSPORTATION

WATER MAIN PLANS - WHITE STREET

SCALE : 1"=20' SHEET NO. 206 OF 412 SHEETS STA. 3008+00.00 TO STA. 3016+00.00

F.A.U. RTE.	SECTION	COUNTY	TOTAL SHEETS	SHEET NO.
	15-00304-02-PV	CHAMPAIGN	412	206
MCORE PROJECT 3		CONTRACT NO. 91540		
JOB NO. C-95-306-16 ILLINOIS FED. AID PROJECT TIG-5181058				

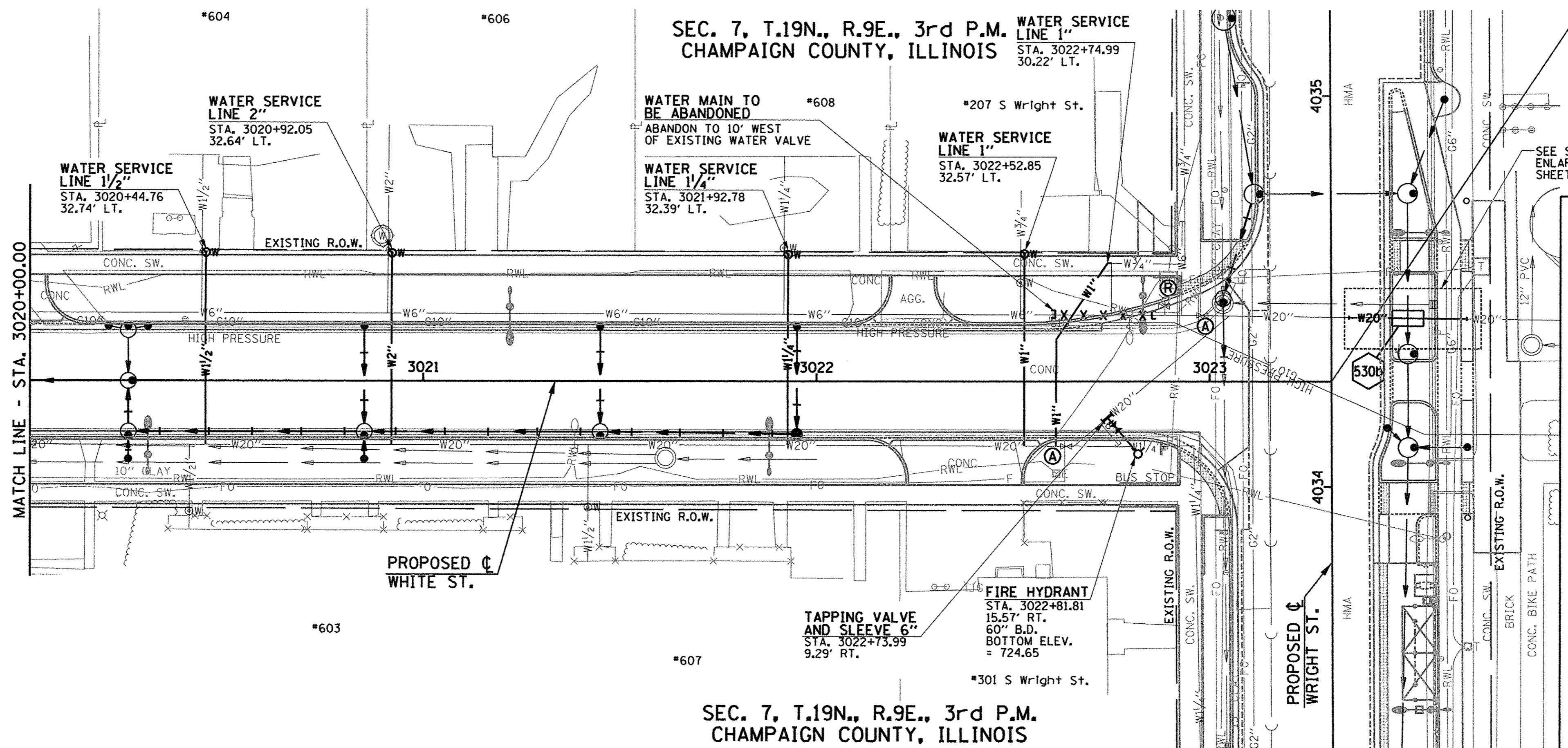
SEC. 7, T.19N., R.9E., 3rd P.M.
CHAMPAIGN COUNTY, ILLINOIS



- LEGEND**
- (A) - VALVE BOX TO BE ADJUSTED (SPECIAL)
 - (R) - FIRE HYDRANT TO BE REMOVED
 - (V) - VALVE BOX TO BE REMOVED
 - x x x - WATER MAIN TO BE ABANDONED
 - - STORM SEWER (WATER MAIN QUALITY PIPE)

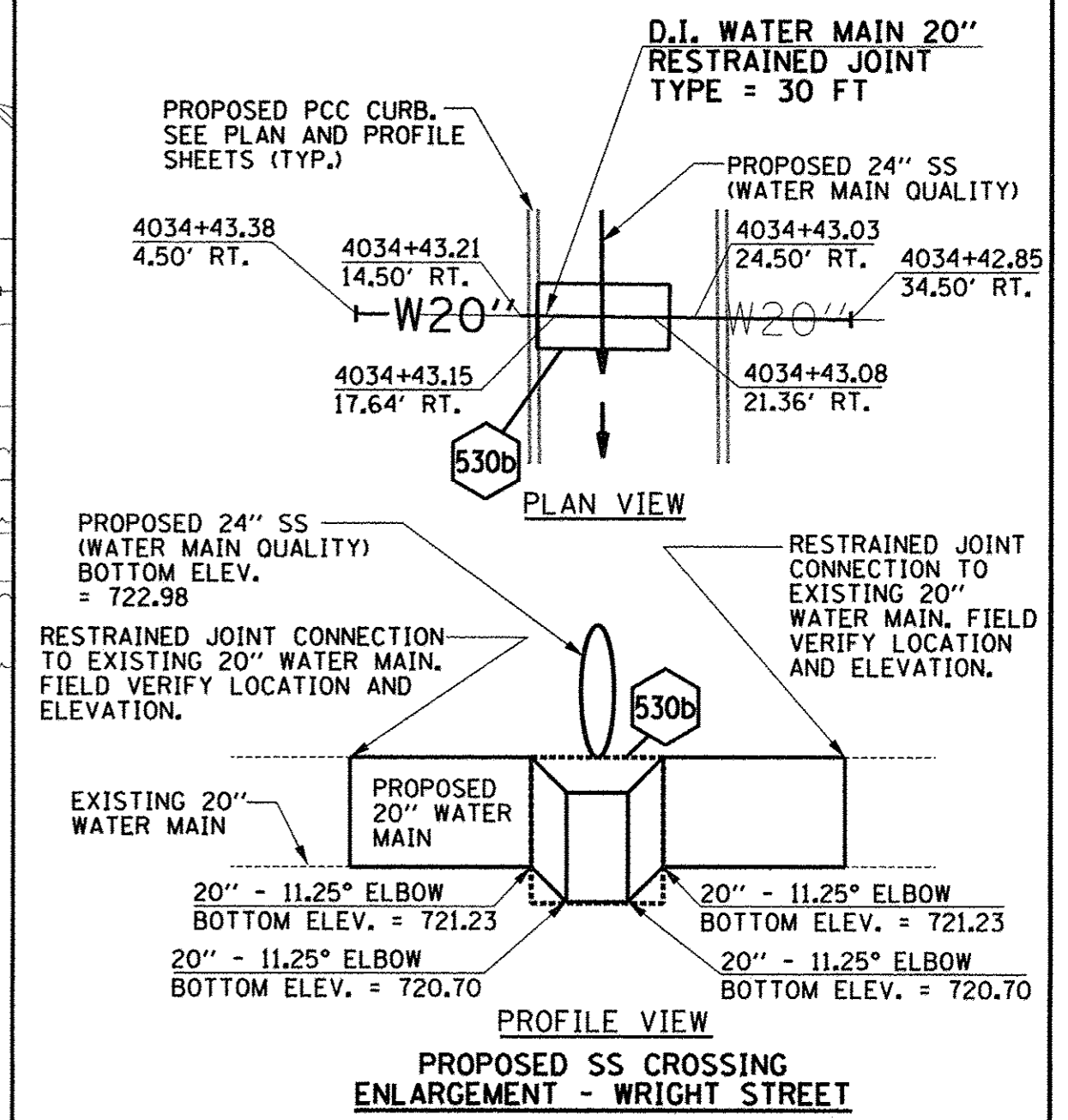
NOTE:
RETIRED HYDRANTS WHEN
EXISTING 6" WATER MAIN
IS ABANDONED.

SEC. 7, T.19N., R.9E., 3rd P.M.
CHAMPAIGN COUNTY, ILLINOIS



END IMPROVEMENTS
WHITE STREET
STA. 3023+15.00

SEE ROADWAY PLAN AND PROFILE
SHEETS FOR CONCRETE SADDLE
SUPPORT, STRUCTURE 530b



SEE PLAN AND PROFILE SHEETS
FOR ADDITIONAL INFORMATION.

WATER MAIN TO BE ABANDONED
THE EXISTING WATER MAINS AND VALVES TO BE
RETIRED WITHIN THE PROJECT LIMITS SHALL BE
REMOVED OR ABANDONED IN PLACE INCLUDING THE
DOMESTIC WATER SERVICE LINES, EXPOSED ENDS
OF ABANDONED LINES SHALL BE PLUGGED OR
CAPPED IN A WATERTIGHT MANNER. ALL RETIRED
WATER VALVE BOXES, DOMESTIC CURB STOP BOXES,
AND DEAD END AND CROSS BLOCKING INSTALLED
FOR STAGING PURPOSES SHALL BE REMOVED. THIS
WORK WILL BE CONSIDERED INCLUDED IN THE
CONTRACT UNIT PRICE LUMP SUM FOR WATER MAIN
TO BE ABANDONED.



FILE NAME =
p:\c0010720_mcore\plans\sheets\Project3\P3-sht-WH1-waterplanprof.dgn
PLOT DATE =
4/25/2016 9:48:10 AM

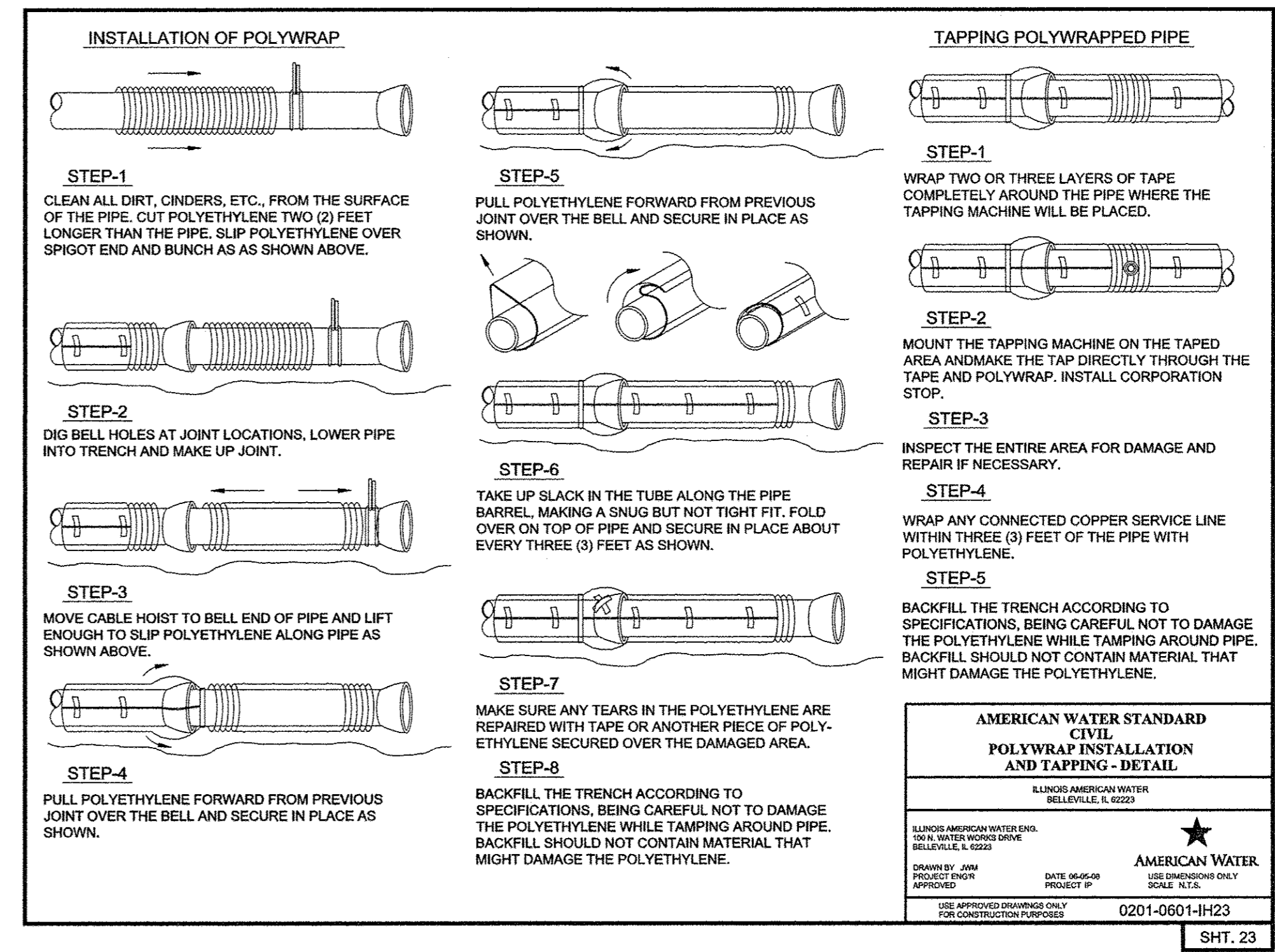
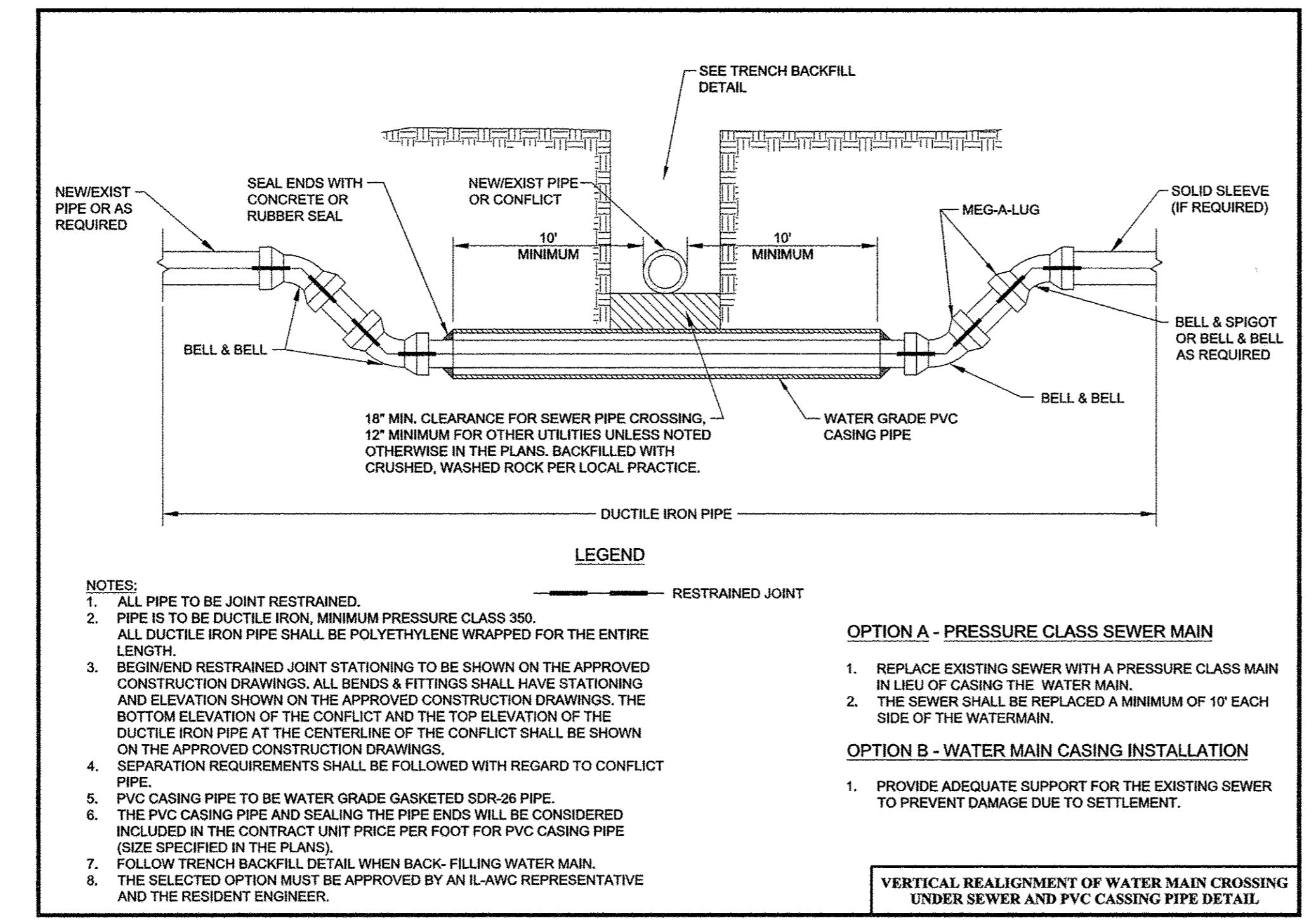
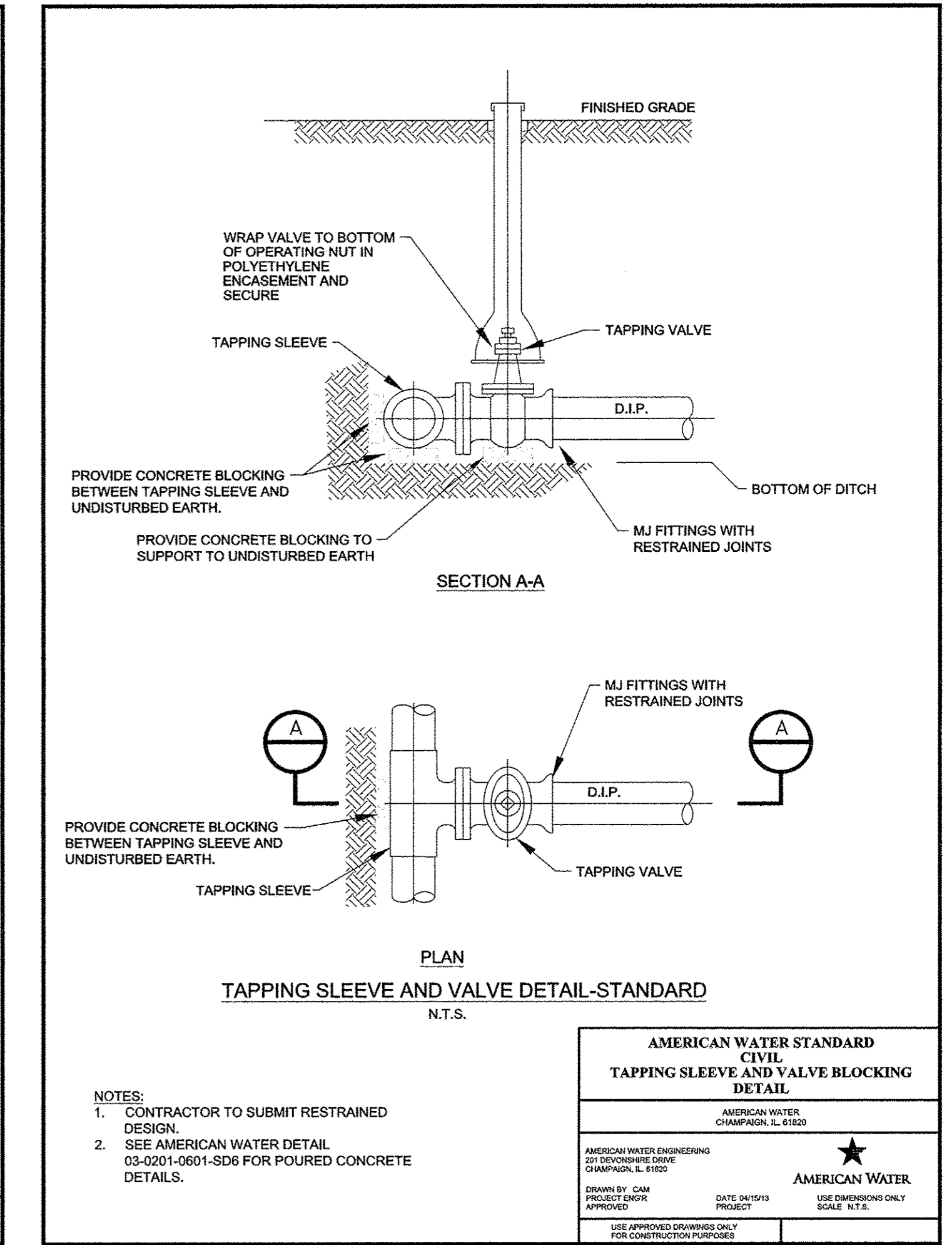
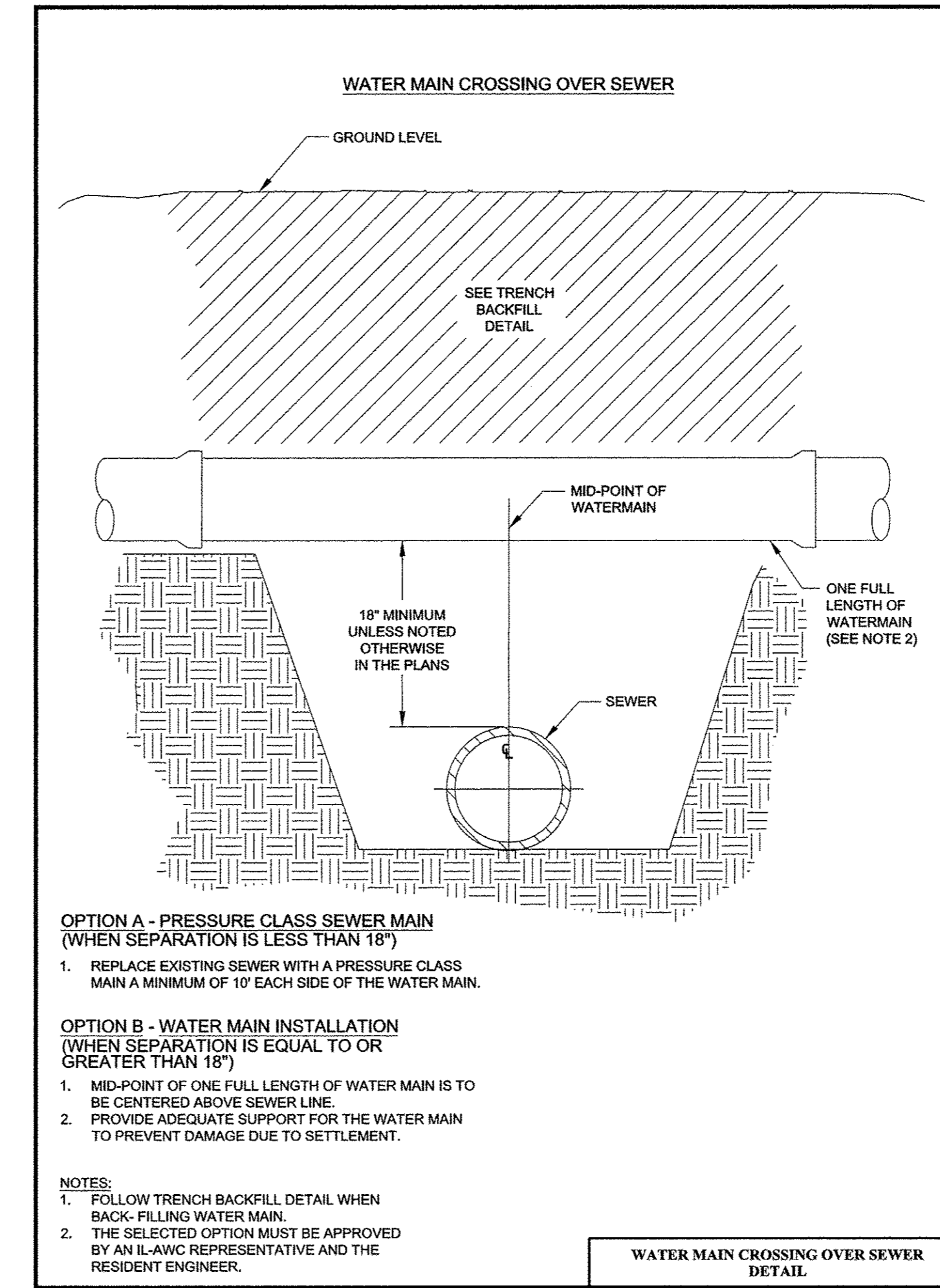
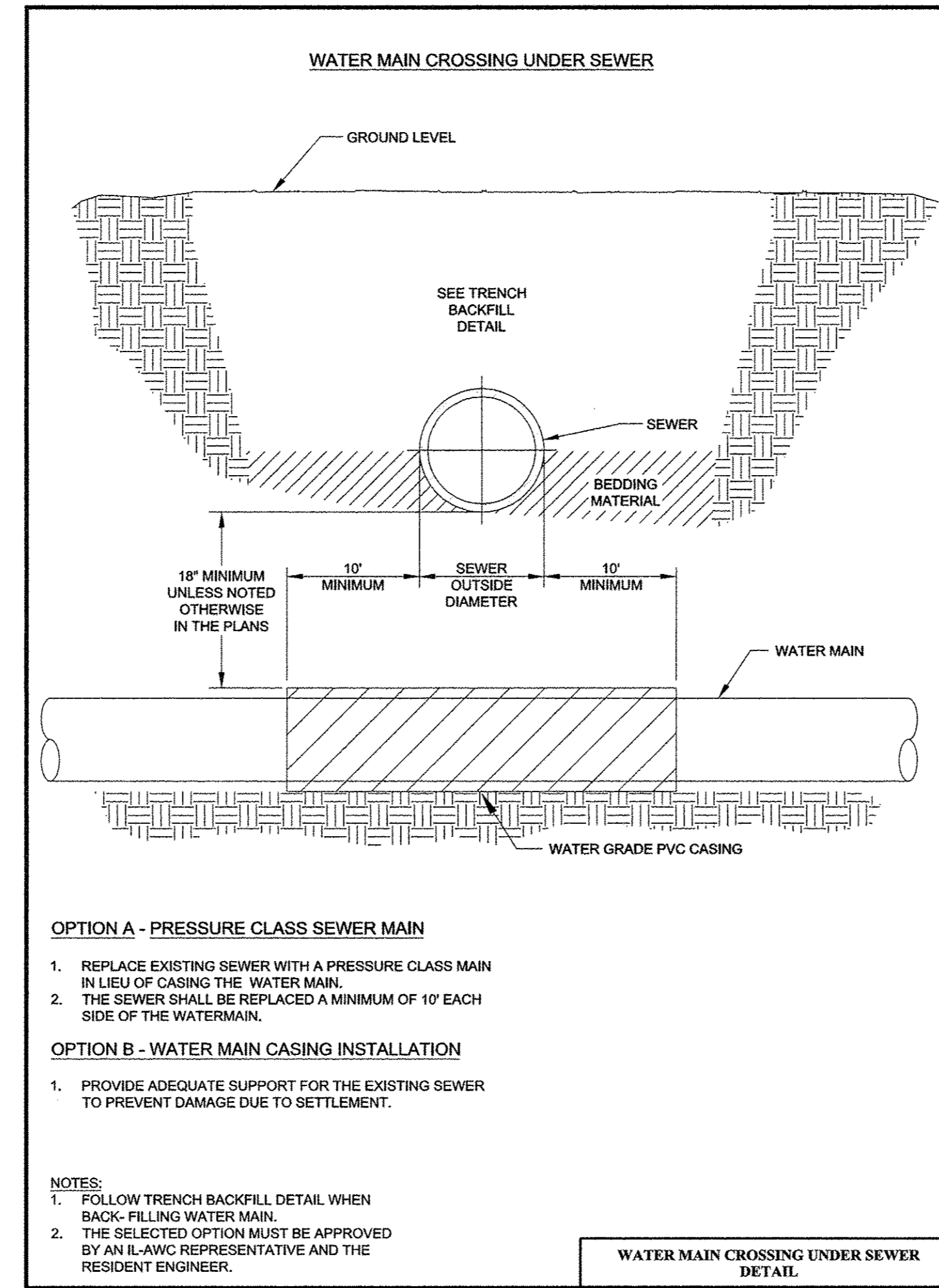
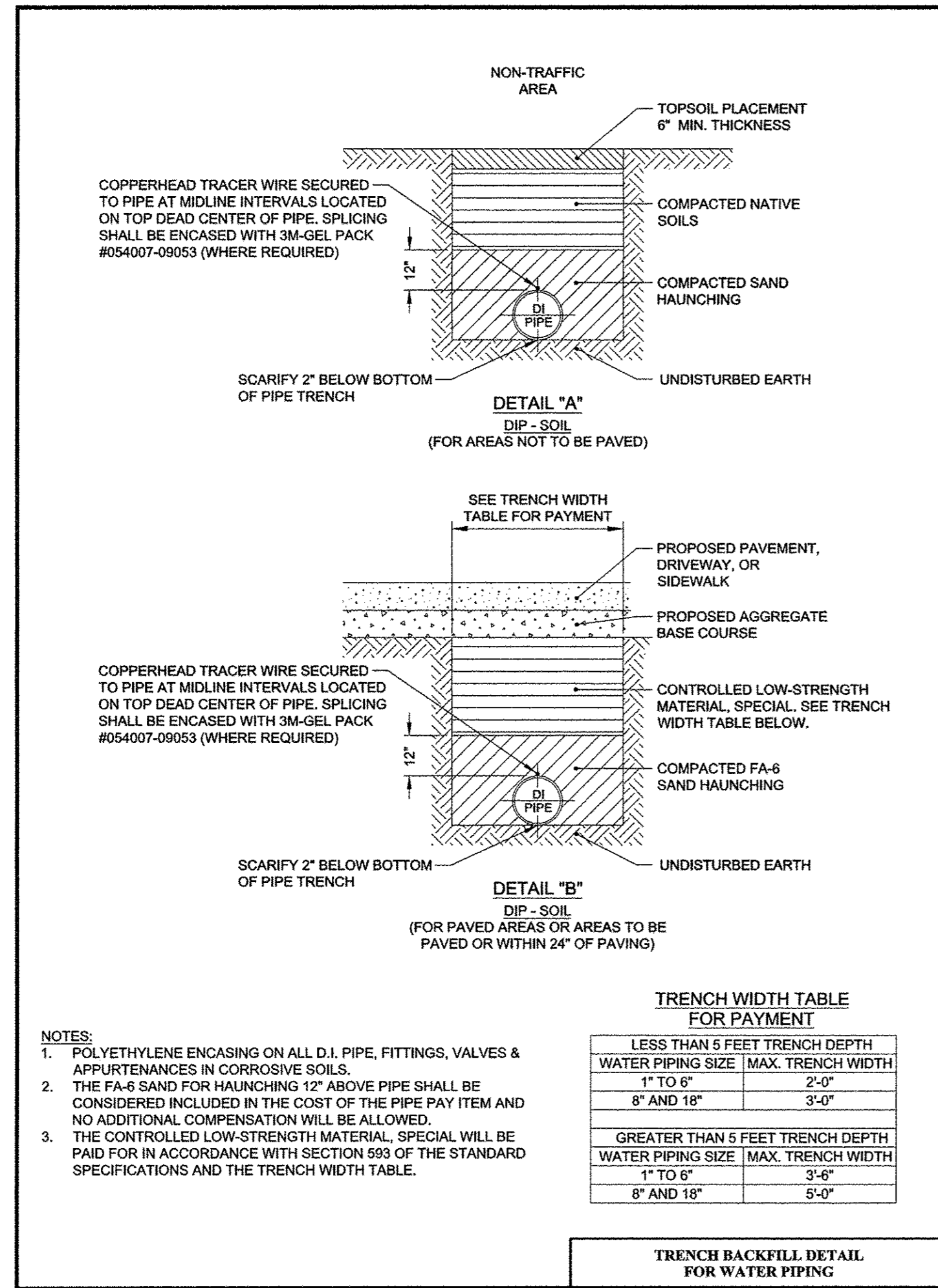
DESIGNED - R.J.H.	REVISED -
DRAWN - R.J.H.	REVISED -
CHECKED - C.S.G.	REVISED -
DATE - MARCH 2016	REVISED -

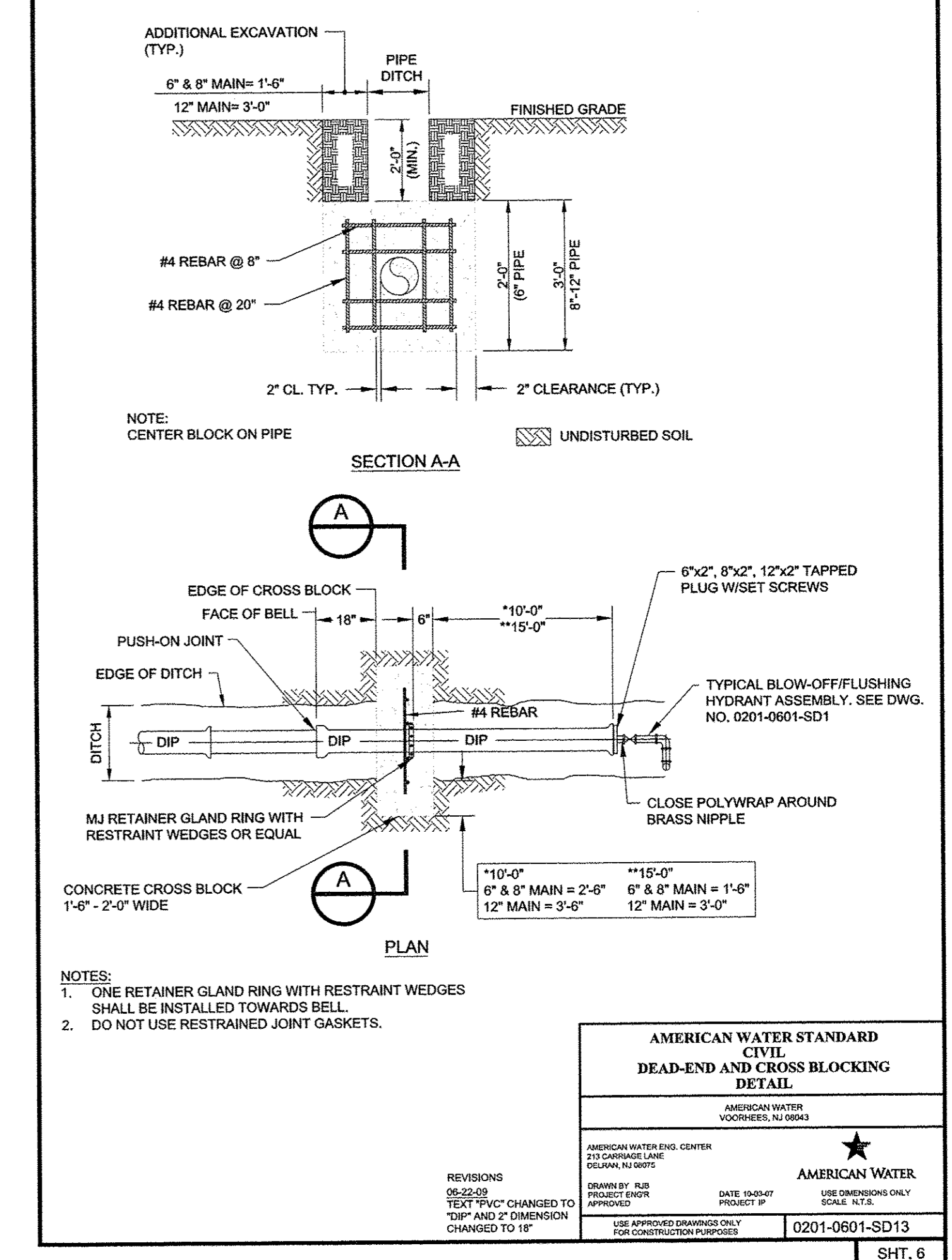
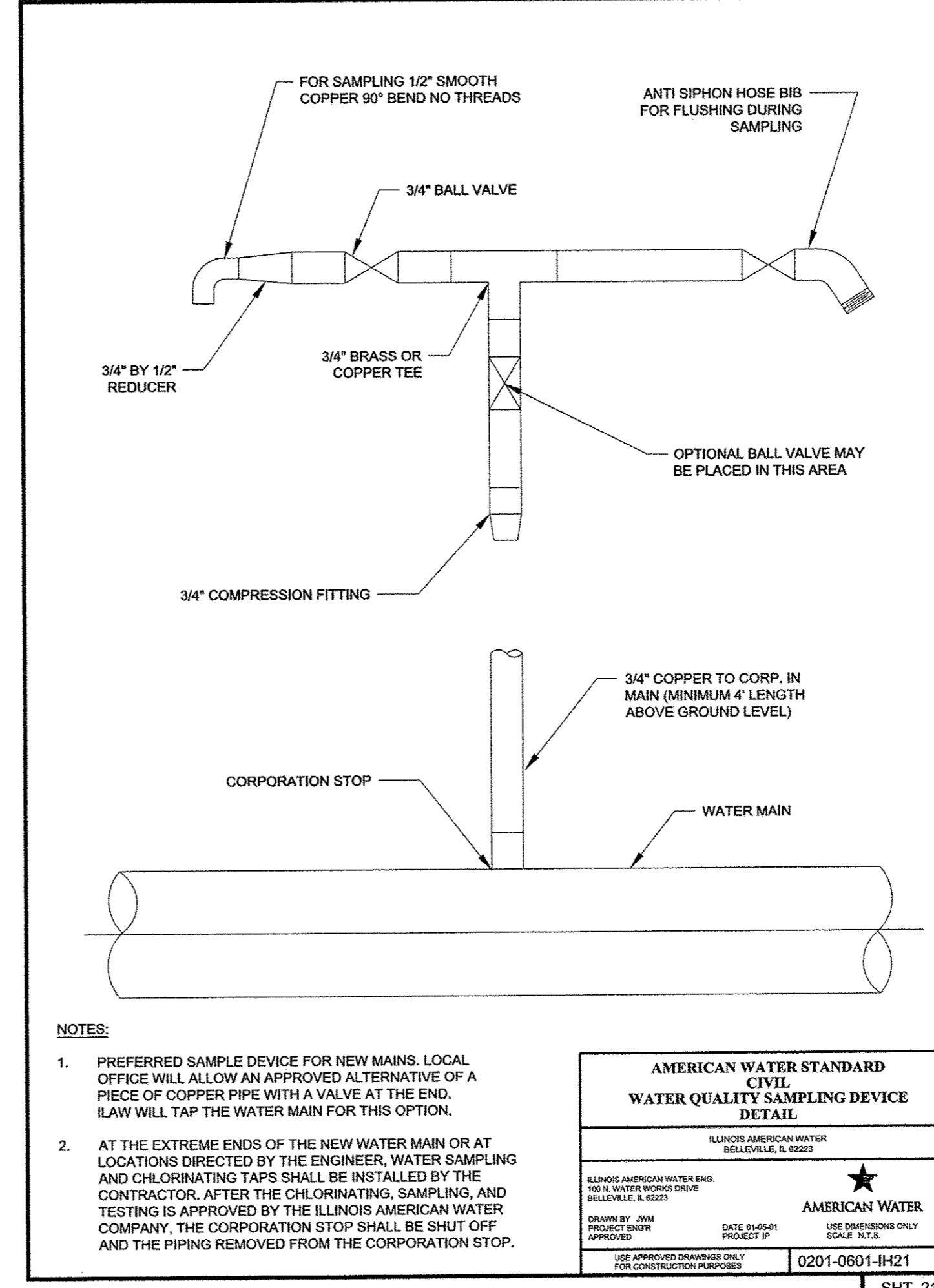
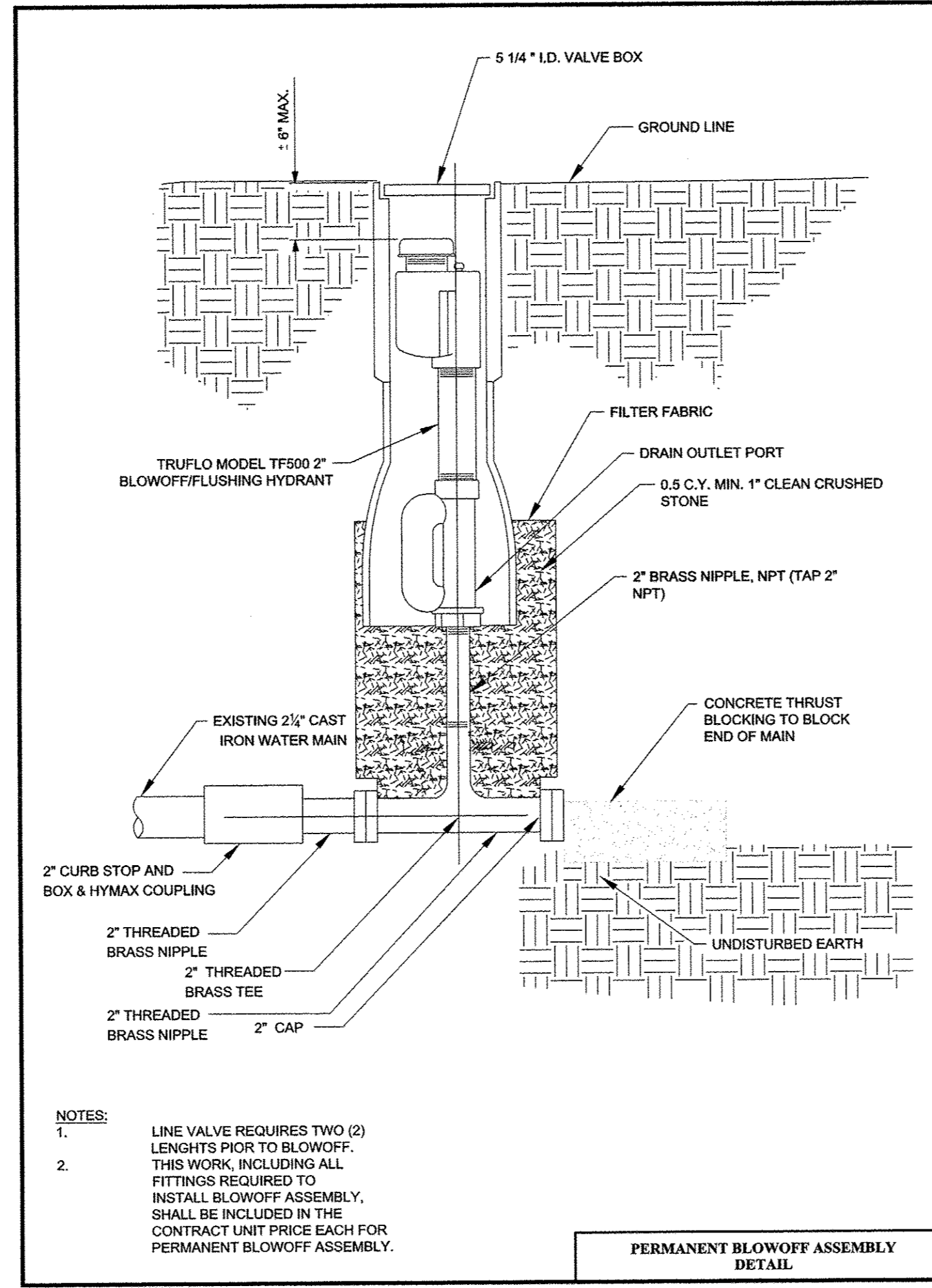
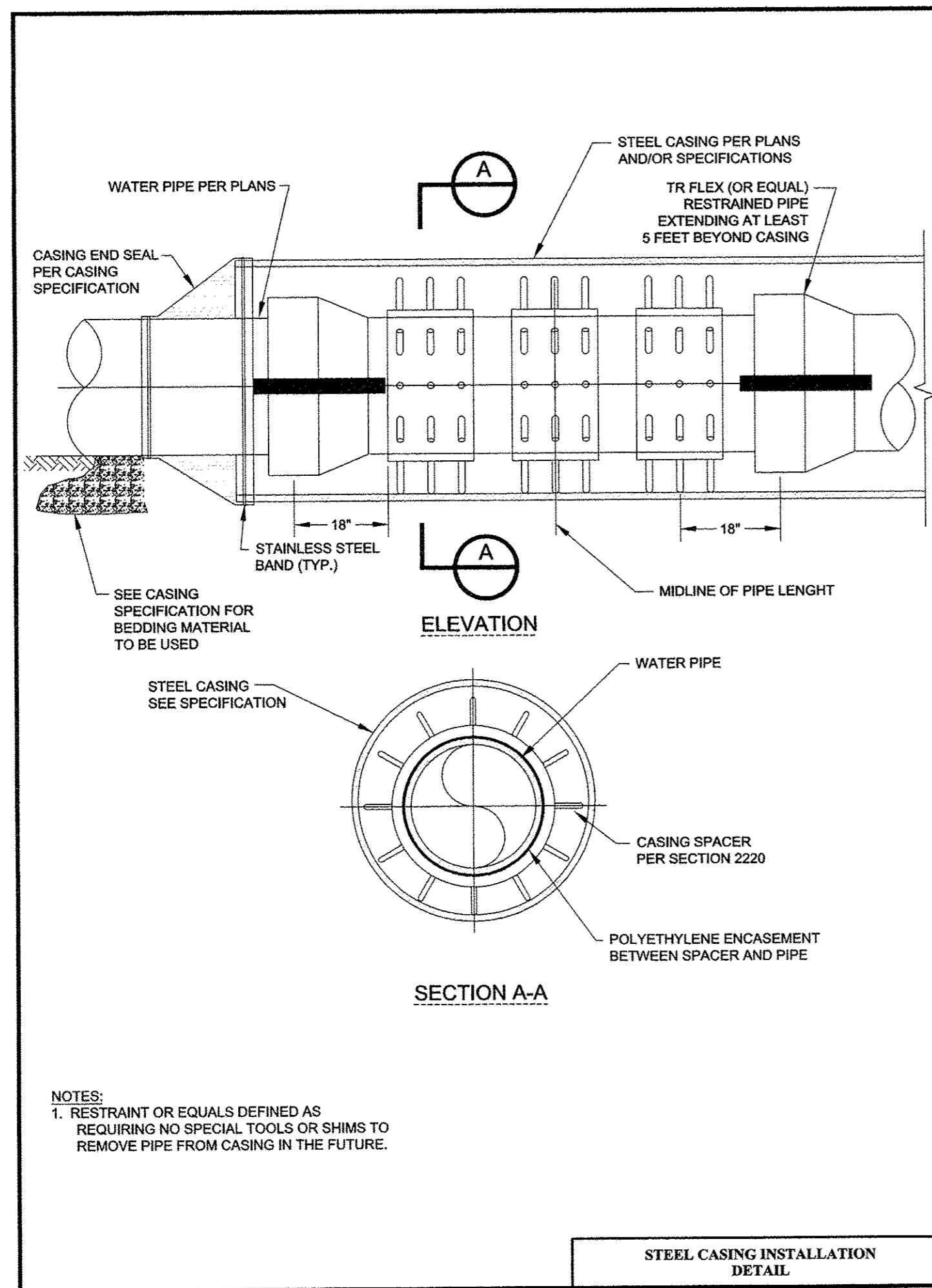
STATE OF ILLINOIS
DEPARTMENT OF TRANSPORTATION

WATER MAIN PLANS
WHITE STREET/WRIGHT STREET

SCALE: 1"=20' SHEET NO. 207 OF 412 SHEETS STA. 3016+00.00 TO STA. 3024+00.00

F.A.U. RTE.	SECTION	COUNTY	TOTAL SHEETS	SHEET NO.
	15-00304-02-PV	CHAMPAIGN	412	207
MCORE PROJECT 3		CONTRACT NO. 91540		
JOB NO. C-95-306-16 ILLINOIS FED. AID PROJECT TIG-51810581				





MAXIMUM JOINT DEFLECTION FULL-LENGTH PIPE-PUSH-ON TYPE JOINT PIPE

NOMINAL PIPE SIZE INCHES	DEFLECTION ANGLE DEGREES	MAX OFFSET - S INCHES		APPROXIMATE RADIUS OF CURVATURE - R FEET	
		L=18 FT	L=20 FT	L=18 FT	L=20 FT
3	4	15	17	256	285
4	4	15	17	256	285
6	4	15	17	256	285
8	4	15	17	256	285
10	4	15	17	256	285
12	4	15	17	256	285
14	4	9	10	256	285
16	2.5	9	10	429	476
18	2.5	9	10	429	476
20	2.5	9	10	429	476
24	2.5	9	10	429	476

MAXIMUM JOINT DEFLECTION DUCTILE IRON PUSH ON PIPE

NOMINAL PIPE SIZE INCHES	DEFLECTION ANGLE DEGREES	MAX OFFSET - S INCHES		APPROXIMATE RADIUS OF CURVATURE - R FEET	
		L=18 FT	L=20 FT	L=18 FT	L=20 FT
3	4	15	17	256	285
4	4	15	17	256	285
6	4	15	17	256	285
8	4	15	17	256	285
10	4	15	17	256	285
12	4	15	17	256	285
14	4	9	10	256	285
16	2.5	9	10	429	476
18	2.5	9	10	429	476
20	2.5	9	10	429	476
24	2.5	9	10	429	476

*L-STANDARD LENGTH OF PIPE SECTION.

NOTES:
1. PIPE JOINT DEFLECTION ALLOWED ON DUCTILE IRON PIPE ONLY. PIPE JOINT DEFLECTION NOT ALLOWED ON PVC PIPE.

$R = L/[2 \tan(\theta/2)]$

AMERICAN WATER STANDARD PIPE CURVE GEOMETRY DETAIL

AMERICAN WATER VOORHEES, NJ 08043
AMERICAN WATER ENGINEERING 200 GORHAM ROAD MOUNT LAUREL, NJ 08054
DRAWN BY: RJB PROJECT ENGR APPROVED: DATE: 06-20-09 PROJECT #:
USE APPROVED DRAWINGS ONLY FOR CONSTRUCTION PURPOSES 0201-0601-SD32
SCALE: N.T.S. USE DIMENSIONS ONLY

SHT. 8

FILE NAME = p:\c0010720_mcore\plans\sheet\Project2\P2-sht-water-basemap-details.dgn
PLOT DATE = 3/23/2016 4:58:56 PM

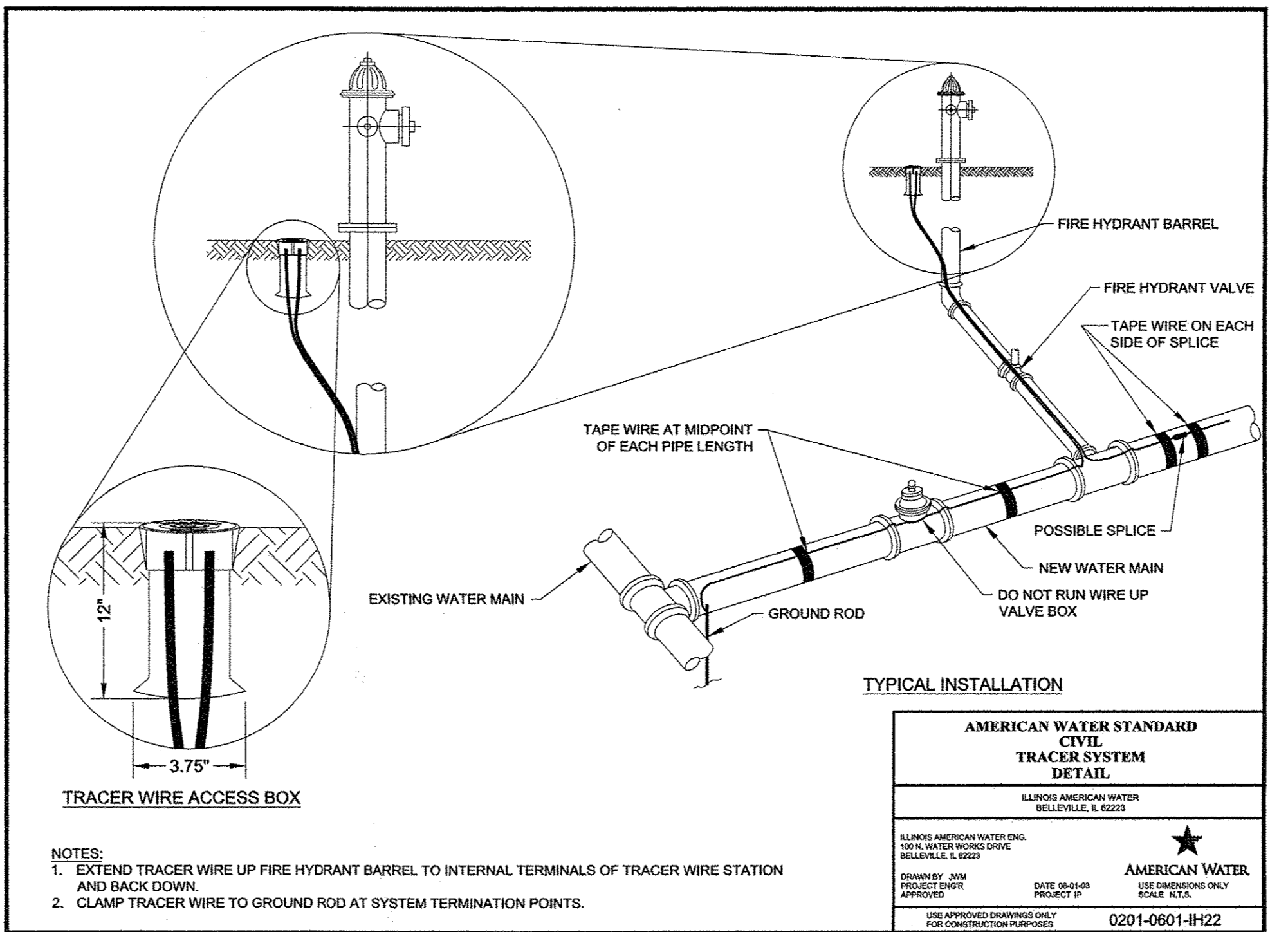
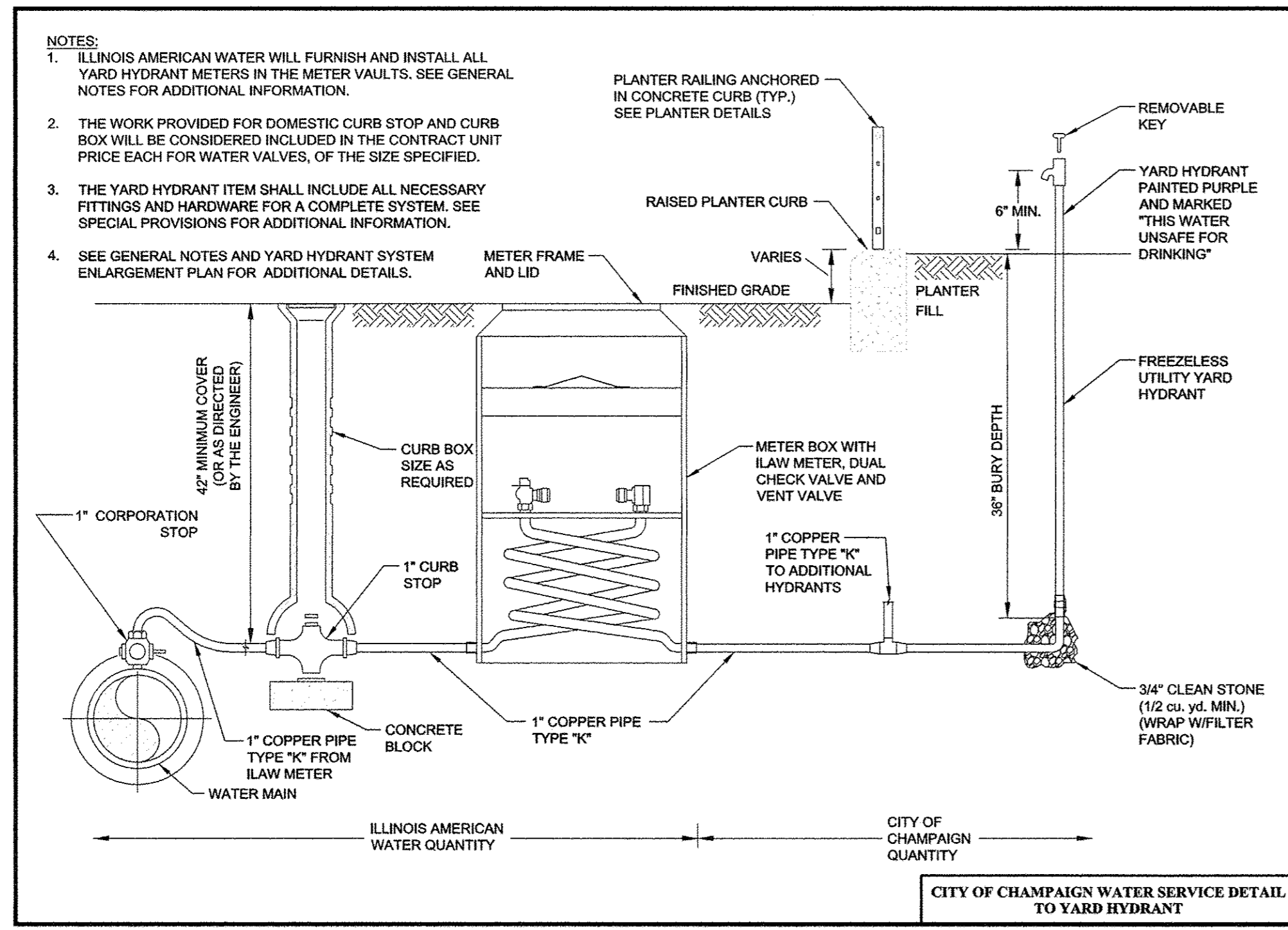
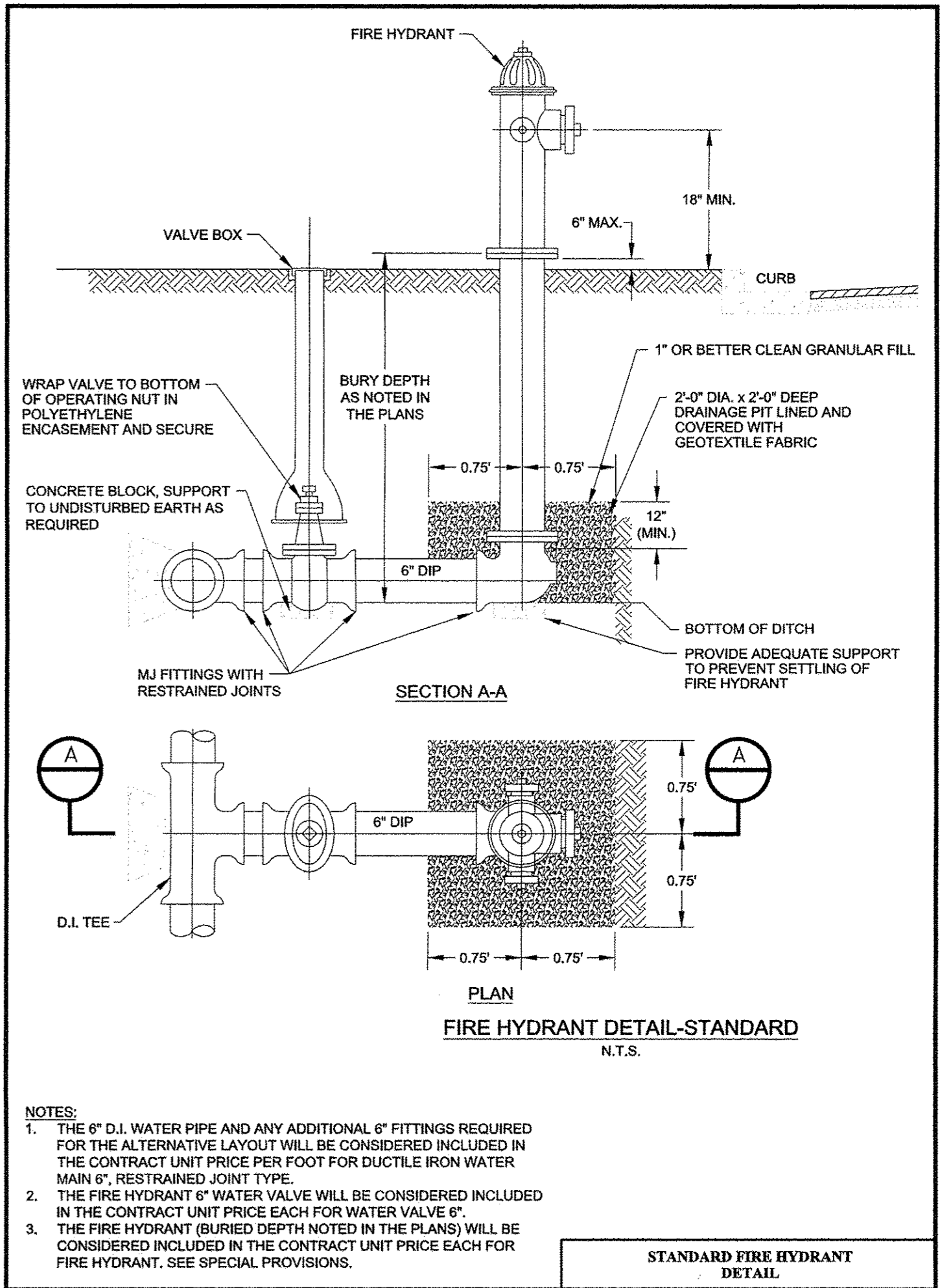
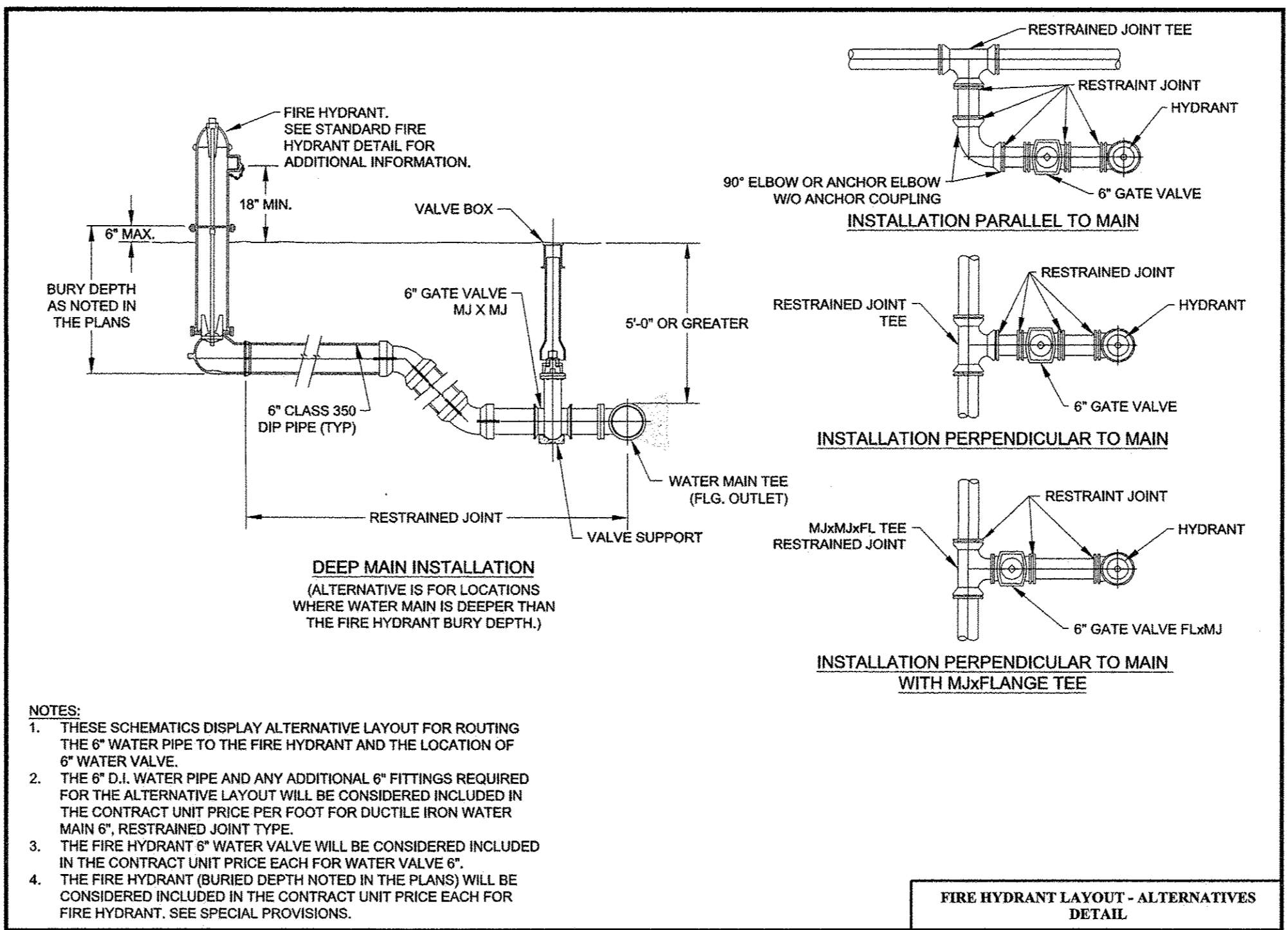
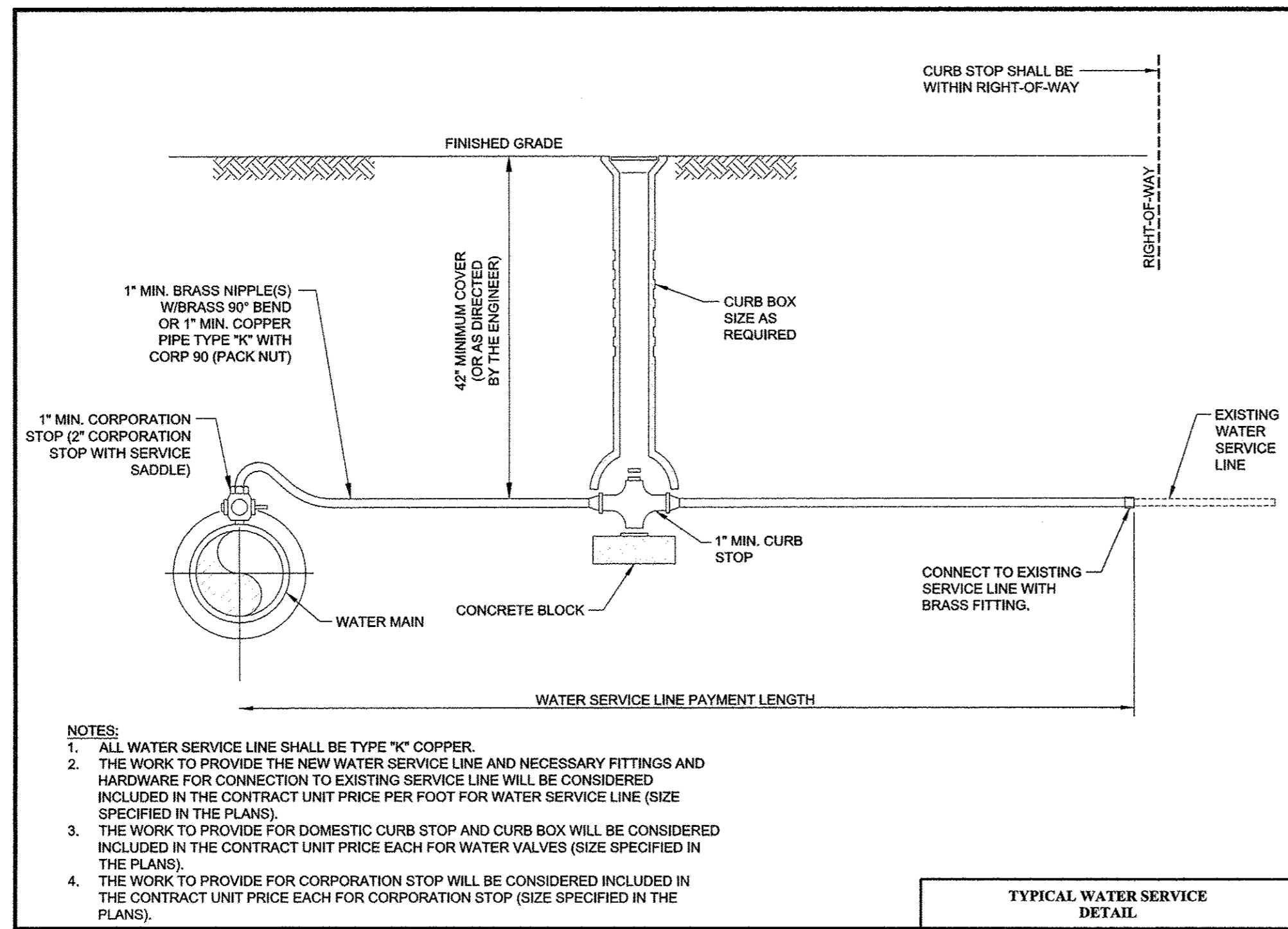
DESIGNED - R.J.H.	REVISED -
DRAWN - R.J.H.	REVISED -
CHECKED - C.S.G.	REVISED -
DATE - MARCH 2016	REVISED -

STATE OF ILLINOIS
DEPARTMENT OF TRANSPORTATION

WATER MAIN PLANS
DETAILS

SCALE : NONE SHEET NO. 209 OF 412 SHEETS STA. TO STA.

F.A.U. RTE. 7126	SECTION 15-00304-02-PV	COUNTY CHAMPAIGN	TOTAL SHEETS 412	SHEET NO. 209
MCORE PROJECT 2 & 3		CONTRACT NO. 91540		
JOB NO. C-95-306-16 ILLINOIS FED. AID PROJECT TIG-5181058				



FILE NAME = p:\c0010720_mcore\plans\sheets\Project2\P2-sht-water-basemap-deta11.dgn
PLOT DATE = 3/23/2016 4:55:59 PM

DESIGNED - R.J.H. REVISED -
DRAWN - R.J.H. REVISED -
CHECKED - C.S.G. REVISED -
DATE - MARCH 2016 REVISED -

STATE OF ILLINOIS
DEPARTMENT OF TRANSPORTATION

WATER MAIN PLANS
DETAILS

SCALE : NONE SHEET NO. 210 OF 412 SHEETS STA. TO STA.

F.A.U. RTE.	SECTION	COUNTY	TOTAL SHEETS	SHEET NO.
7126	15-00304-02-PV	CHAMPAIGN	412	210
MCORE PROJECT 2 & 3			CONTRACT NO. 91540	
JOB NO. C-95-306-16 ILLINOIS FED. AID PROJECT T16-51810581				

STATE OF ILLINOIS
DEPARTMENT OF TRANSPORTATION

PLANS FOR PROPOSED
STREET IMPROVEMENTS
VOLUME 2

CITY OF CHAMPAIGN
CHAMPAIGN COUNTY, ILLINOIS
SECTION NO. 15-00304-02-PV
PROJECT NO. TIG-5181(057)
JOB NO. C-95-305-16
TRANSPORTATION INVESTMENT GENERATING
ECONOMIC RECOVERY

MCORE PROJECT 2 - GREEN STREET FROM NEIL STREET TO FOURTH STREET
MCORE PROJECT 3 - WHITE STREET FROM SECOND STREET TO WRIGHT STREET
MCORE PROJECT 3 - WRIGHT STREET FROM SPRINGFIELD AVENUE TO WHITE STREET

INDEX OF SHEETS

SHEET NO.	DESCRIPTION
1	TITLE SHEET VOLUME 1
2	GENERAL NOTES
3	HIGHWAY STANDARDS AND LEGEND
4 - 16	SUMMARY OF QUANTITIES
17 - 21	SCHEDULE OF QUANTITIES
22 - 26	EXISTING TYPICAL SECTIONS
27 - 37	PROPOSED TYPICAL SECTIONS
38 - 42	HORIZONTAL ALIGNMENT LAYOUT AND CONTROL
43	NON-SPECIAL WASTE OVERVIEW PLANS
44 - 55	REMOVAL/RELOCATION PLANS
56 - 102	PLAN AND PROFILE / DRAINAGE STRUCTURE AND PIPE SCHEDULES
103 - 127	TRAFFIC CONTROL PLANS
128 - 131	STORM WATER POLLUTION PREVENTION PLANS
132 - 140	PAVEMENT JOINT PLANS
141 - 153	INTERSECTION DETAILS
154 - 160	BUS STOP DETAILS
161 - 168	TRANSIT DETAILS
169 - 183	PAVEMENT MARKING AND SIGNING PLANS
184 - 210	WATER MAIN PLANS
211	TITLE SHEET VOLUME 2
212 - 218	SANITARY SEWER PLANS
219 - 250	LANDSCAPE PLANS
251 - 268	STRUCTURAL PLANS
269 - 283	TRAFFIC SIGNAL PLANS
284	TEMPORARY ELECTRIC SERVICE INSTALLATION PLANS
285 - 288	TEMPORARY LIGHTING PLANS
289 - 321	ROADWAY LIGHTING PLANS
322 - 326	GATEWAY LIGHTING PLANS
327 - 343	MISCELLANEOUS DETAILS
344 - 412	CROSS SECTIONS

ILLINOIS HIGHWAY STANDARD DRAWINGS
(SEE SHEET NO. 3)

SEAN M. WIDENER
062-06809
DATE SIGNED: 8-24-16
LIC. EXP. DATE: 11/30/2017
CLARK DIETZ

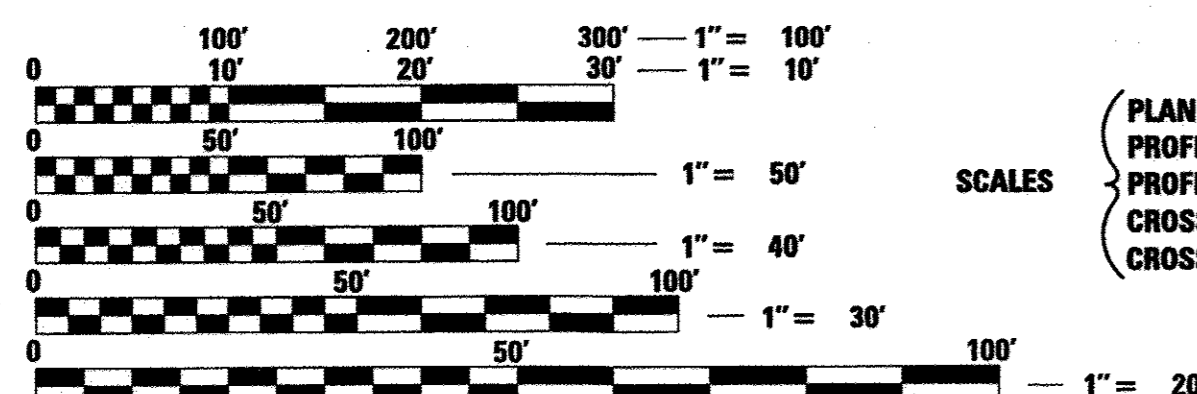
NATHAN ROSEBERRY
062-060427
DATE SIGNED: 8-24-16
LIC. EXP. DATE: 11/30/2017
TYLIN TRANSIT

BRADLEY C. MCCAULEY
157-001466
DATE SIGNED: 08-24-2017
LIC. EXP. DATE: 08/29/2017
SITE DESIGN GROUP
LANDSCAPE DESIGN

SEAN M. MARZANO
081-006321
DATE SIGNED: 8-24-2016
LIC. EXP. DATE: 11/30/2019
CLARK DIETZ
STRUCTURAL

SEAN M. WIDENER
062-06809
DATE SIGNED: 8-24-16
LIC. EXP. DATE: 11/30/2017
CLARK DIETZ
WATERMAIN, SANITARY SEWER

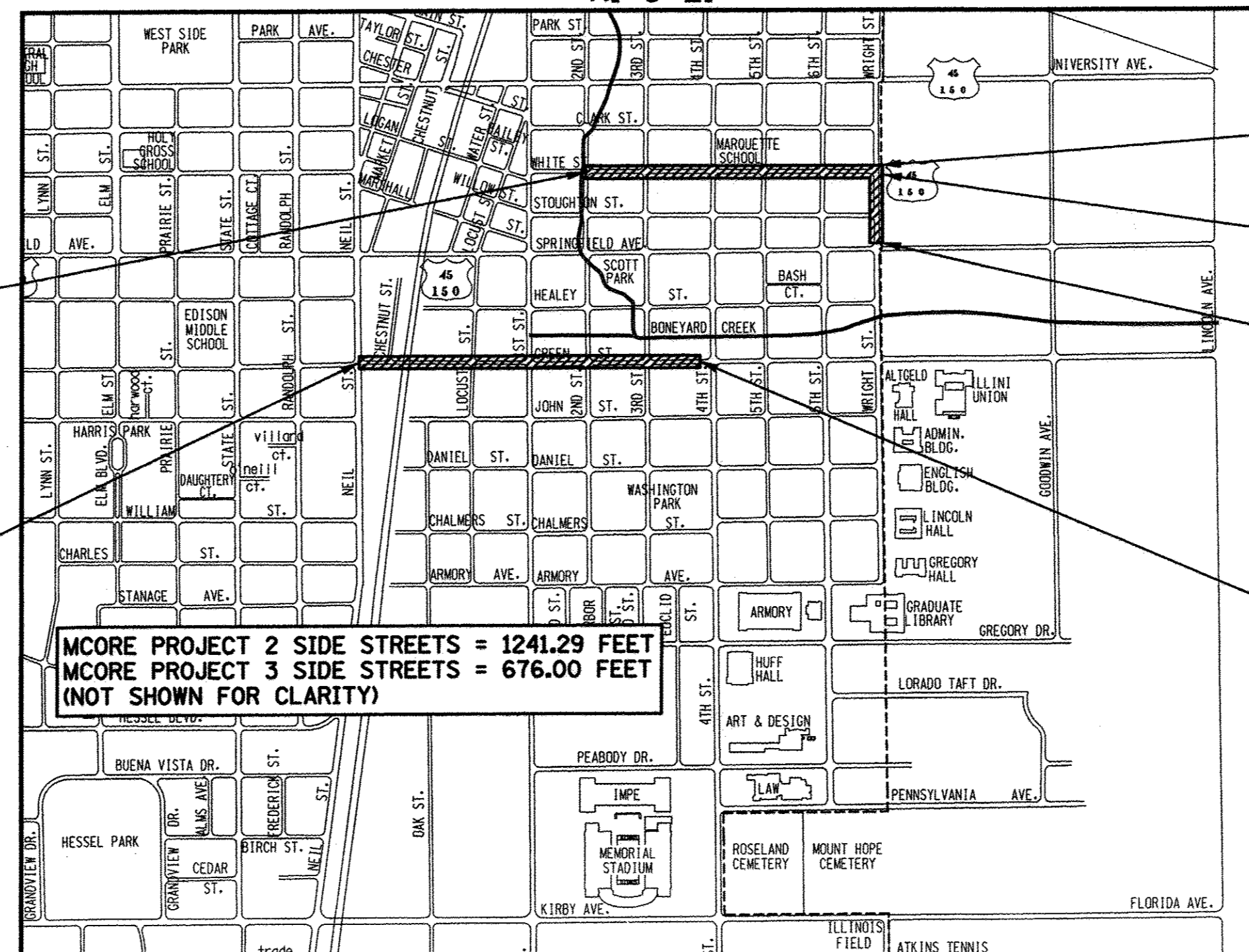
LISA ZAHRT
062-066174
DATE SIGNED: 8-24-2016
LIC. EXP. DATE: 11/30/2017
CLARK DIETZ
LIGHTING



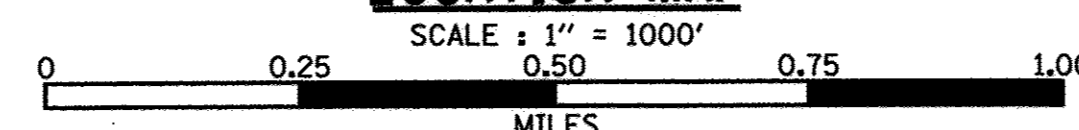
FULL SIZE PLANS HAVE BEEN PREPARED USING STANDARD ENGINEERING SCALES. REDUCED SIZED PLANS WILL NOT CONFORM TO STANDARD SCALES. IN MAKING MEASUREMENTS ON REDUCED PLANS, THE ABOVE SCALES MAY BE USED.

J.U.L.I.E.
JOINT UTILITY LOCATION INFORMATION FOR EXCAVATION
1-800-892-0123 OR 811

CONTRACT NO. 91540



LOCATION MAP

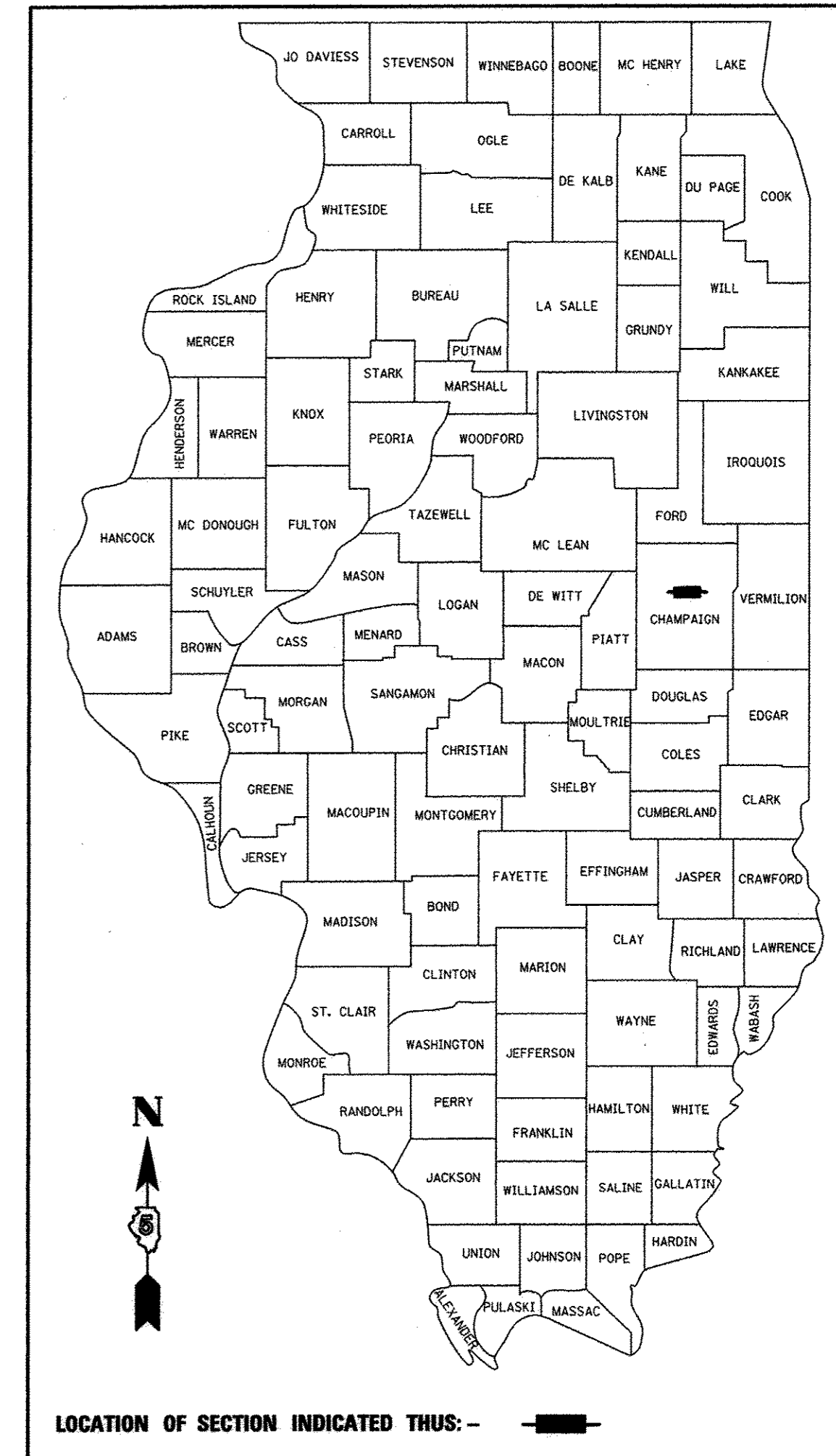


TOTAL LENGTH OF MCORE PROJECT 2 - GREEN STREET IMPROVEMENTS	= 3918.29 FEET	= 0.74 MILES
TOTAL LENGTH OF MCORE PROJECT 3 - WHITE STREET IMPROVEMENTS	= 2895.00 FEET	= 0.55 MILES
TOTAL LENGTH OF MCORE PROJECT 3 - WRIGHT STREET IMPROVEMENTS	= 670.00 FEET	= 0.13 MILES
TOTAL LENGTH OF IMPROVEMENTS	= 7483.29 FEET	= 1.42 MILES

DESIGN DESIGNATION

GREEN STREET (FAU 7126): MINOR ARTERIAL	ADT = 16,700 (2037)
WHITE STREET:	LOCAL (RESIDENTIAL) ADT = 1,220 (2037)
WRIGHT STREET (FAP 808): PRINCIPAL ARTERIAL	ADT = 3,310 (2037)

F.A.U. RTE.	SECTION	COUNTY	TOTAL SHEETS	SHEET NO.
7126	15-00304-02-PV	CHAMPAIGN	412	211
MCORE PROJECT 2 & 3			CONTRACT NO. 91540	
JOB NO. C-95-305-16 ILLINOIS FED. AID PROJECT TIG-5181(057)				



CITY OF CHAMPAIGN

APPROVED: 8/25/16
M. L. Clark
CITY ENGINEER

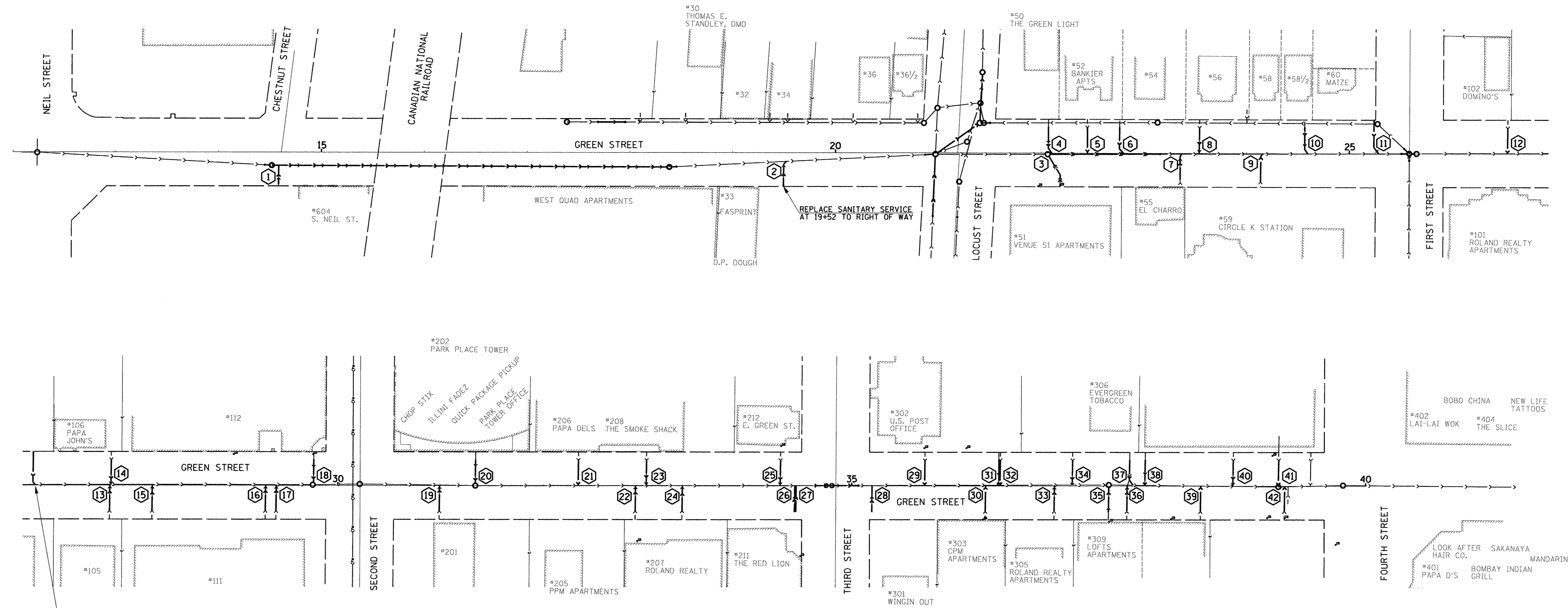
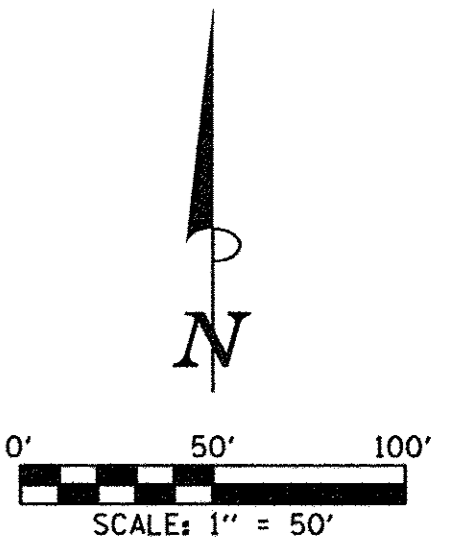
PASSED: AUGUST 31, 2016
District Five Engineer of Local Roads & Streets

Releasing For Bid Based on Limited Review: August 31, 2016
Region Three Engineer

STATE OF ILLINOIS
DEPARTMENT OF TRANSPORTATION

PRINTED BY THE AUTHORITY
OF THE STATE OF ILLINOIS

Clark Dietz
ENGINEERS
125 WEST CHURCH STREET
CHAMPAIGN, IL 61820
PHONE: 217.373.8900
FAX: 217.373.8923



SANITARY SEWER 6" = 34 FOOT
 STA. 27+05.69 LT.
 NEW SANITARY SERVICE, CAPPED AT RIGHT OF WAY AS DIRECTED BY THE ENGINEER. SEE SANITARY SEWER 6" AND SANITARY SERVICE REPLACEMENT DETAILS ON NEXT SHEET FOR ADDITIONAL INFORMATION.

SANITARY SERVICE REPLACEMENT PLAN
 SEE DETAILS FOR ADDITIONAL INFORMATION

- LEGEND**
- PROPOSED SANITARY SEWER (WATER MAIN QUALITY PIPE)
 - ① SANITARY SEWER SERVICE REPLACEMENT NUMBER

SANITARY SERVICE REPLACEMENT LOCATIONS																	
STR. NO.	STATION	OFFSET SIDE	STR. NO.	STATION	OFFSET SIDE	STR. NO.	STATION	OFFSET SIDE	STR. NO.	STATION	OFFSET SIDE	STR. NO.	STATION	OFFSET SIDE	STR. NO.	STATION	OFFSET SIDE
1	14+58	RT.	9	24+15	RT.	17	29+40	RT.	25	34+30	LT.	33	36+97	RT.	41	39+15	LT.
2	19+52	RT.	10	24+60	LT.	18	29+76	LT.	26	34+45	RT.	34	37+14	LT.	42	39+21	RT.
3	22+08	RT.	11	25+29	LT.	19	30+99	RT.	27	34+46	RT.	35	37+50	RT.			
4	22+11	LT.	12	26+54	LT.	20	31+34	LT.	28	35+20	RT.	36	37+68	RT.			
5	22+45	LT.	13	27+78	RT.	21	32+34	LT.	29	35+71	LT.	37	37+74	LT.			
6	22+81	LT.	14	27+79	LT.	22	32+90	RT.	30	36+30	RT.	38	37+85	LT.			
7	23+37	RT.	15	28+17	RT.	23	33+00	LT.	31	36+42	LT.	39	38+40	RT.			
8	23+60	LT.	16	29+30	RT.	24	33+35	RT.	32	36+44	LT.	40	38+71	LT.			

SANITARY SERVICE REPLACEMENT = 42 EACH

SEE REMOVAL/RELOCATION PLANS FOR SANITARY SEWER CLEANOUT ADJUSTMENTS.

LOCATIONS OF SANITARY SEWER SERVICE LINES SHOWN IN THE PLANS ARE BASED UPON SURFACE OBSERVATIONS AND SANITARY SEWER TELEVISION PROVIDED BY THE CITY OF CHAMPAIGN. THE CONTRACTOR SHALL FIELD VERIFY SANITARY SEWER SERVICE LOCATIONS. ALL SANITARY SEWER SERVICES SHALL BE CONSTRUCTED WITH WATER MAIN QUALITY PIPE.



FILE NAME = p:\c0010720_mcore\plans\sheets\Project2\p2-sht-sanitary-details.dgn
 PLOT DATE = 3/23/2016 4:56:21 PM

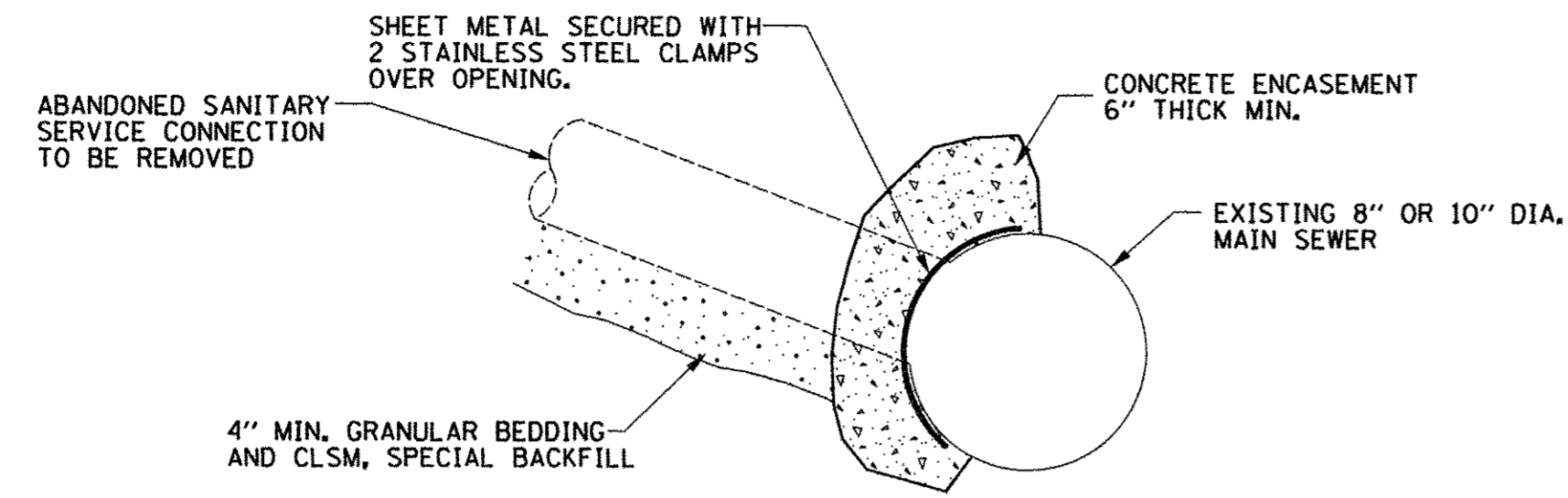
DESIGNED - R.J.H. REVISED -
 DRAWN - R.J.H. REVISED -
 CHECKED - C.S.G. REVISED -
 DATE - MARCH 2016 REVISED -

STATE OF ILLINOIS
 DEPARTMENT OF TRANSPORTATION

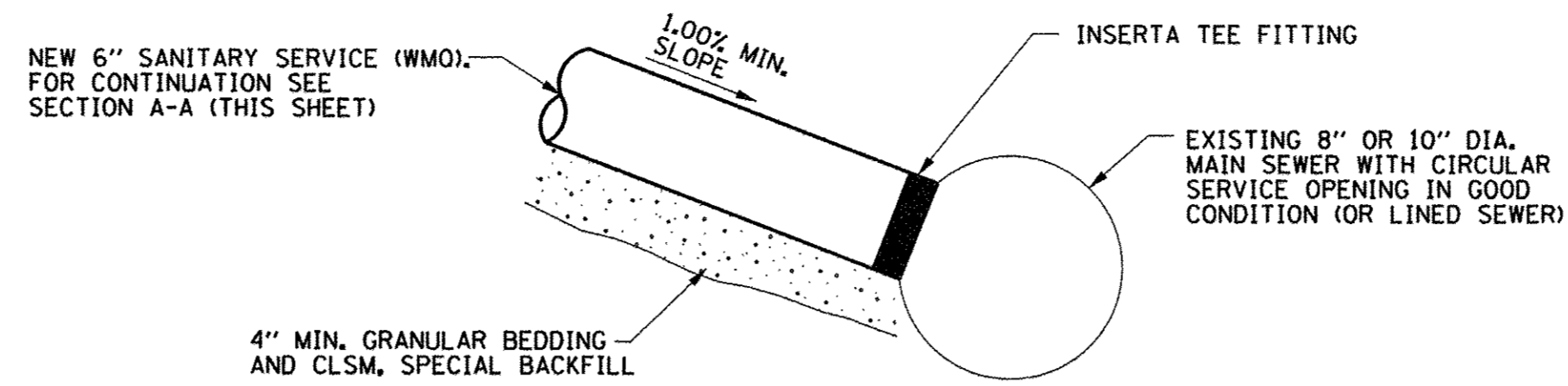
SANITARY SEWER PLANS
SANITARY SERVICE REPLACEMENT PLAN

SCALE : 1"=50' SHEET NO. 215 OF 412 SHEETS STA. TO STA.

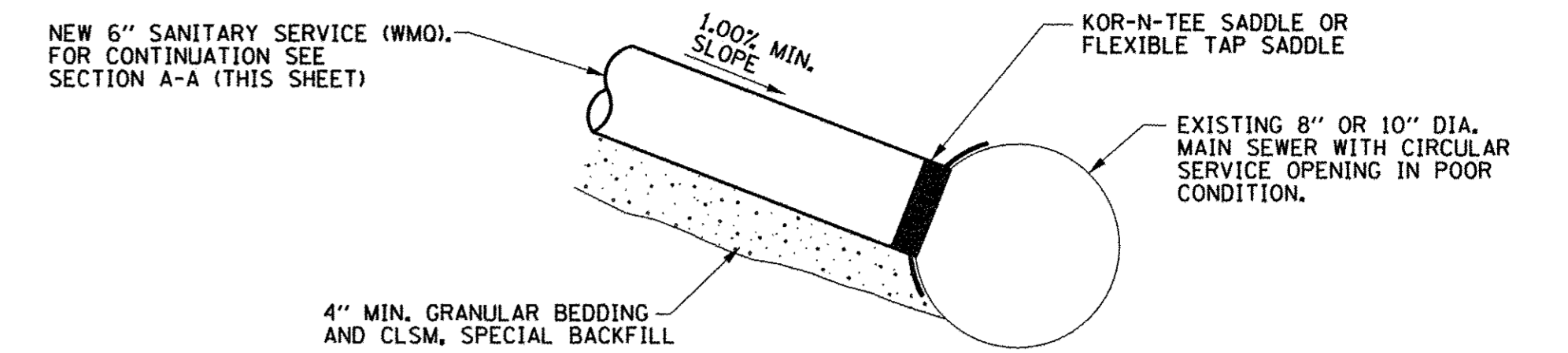
F.A.U. R.T.E.	SECTION	COUNTY	TOTAL SHEETS	SHEET NO.
7126	15-00304-02-PV	CHAMPAIGN	412	215
MCORE PROJECT 2		CONTRACT NO. 91540		
JOB NO. C-95-306-16 ILLINOIS FED. AID PROJECT TIG-5181(05B)				



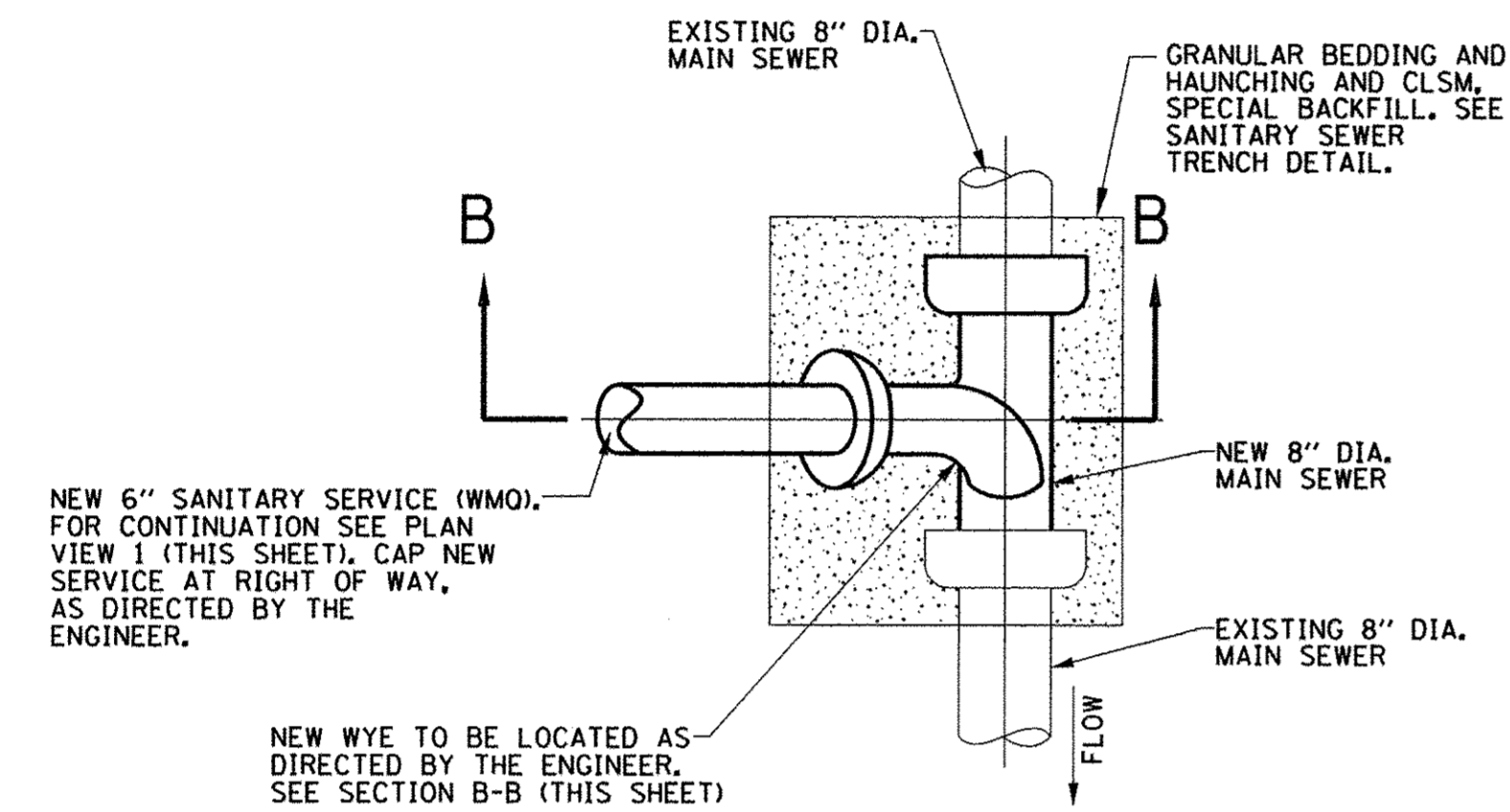
SANITARY SERVICE CONNECTION TO BE REMOVED
AT LOCATIONS AS DIRECTED BY THE ENGINEER



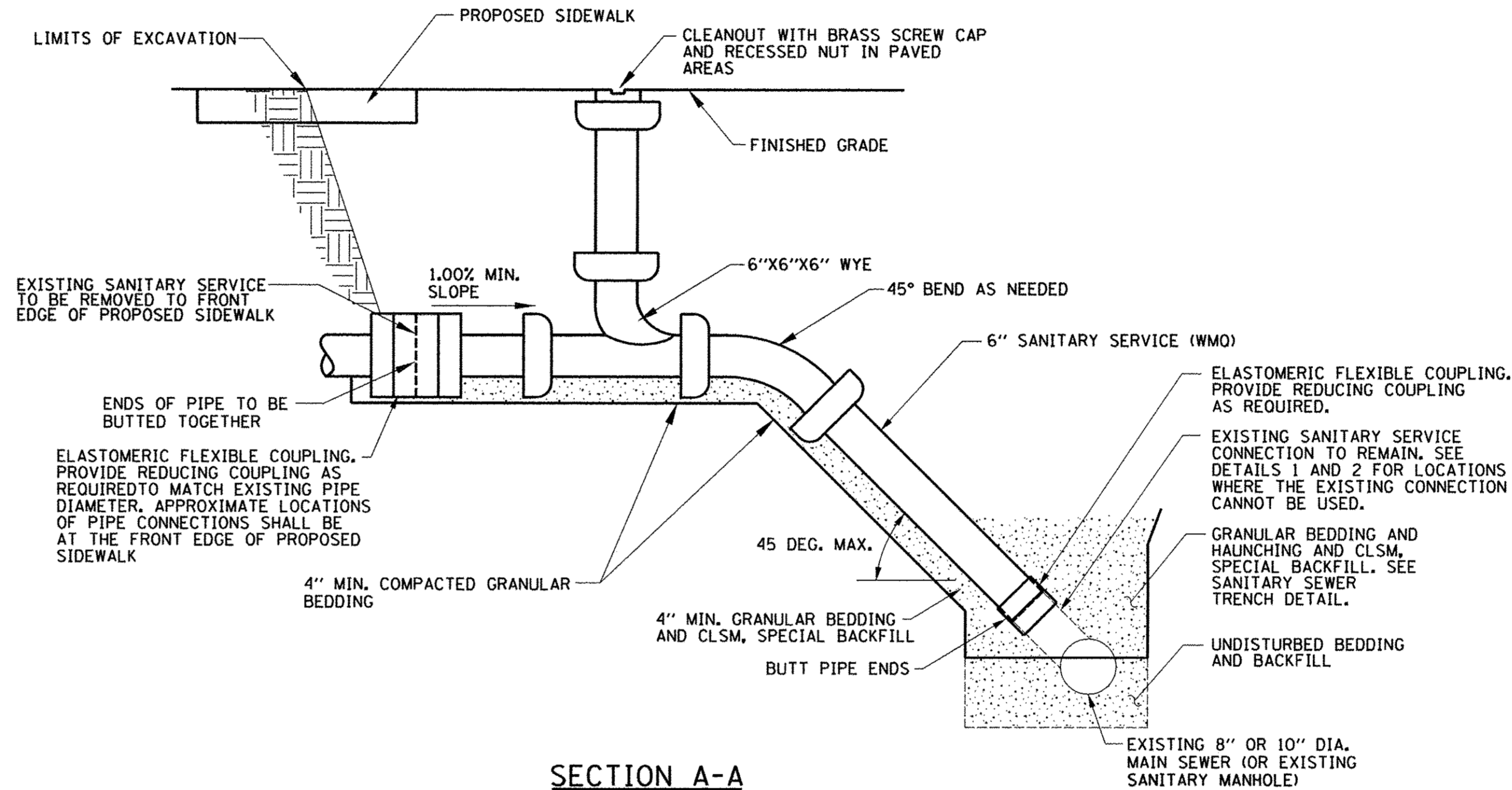
DETAIL 1
EXISTING OPENING IN GOOD CONDITION



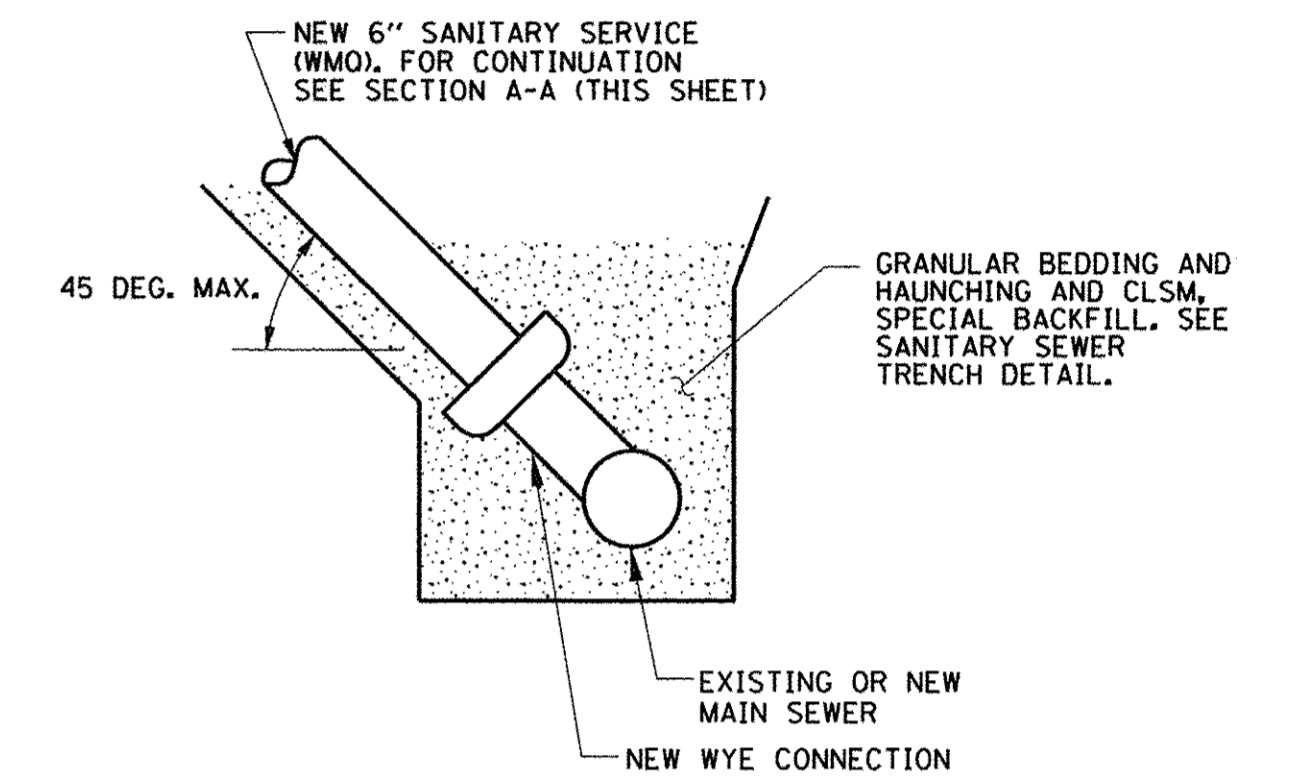
DETAIL 2
EXISTING OPENING IN POOR CONDITION



SANITARY SEWER 6"
NEW SANITARY SERVICE AT STA 27+05.69 LT



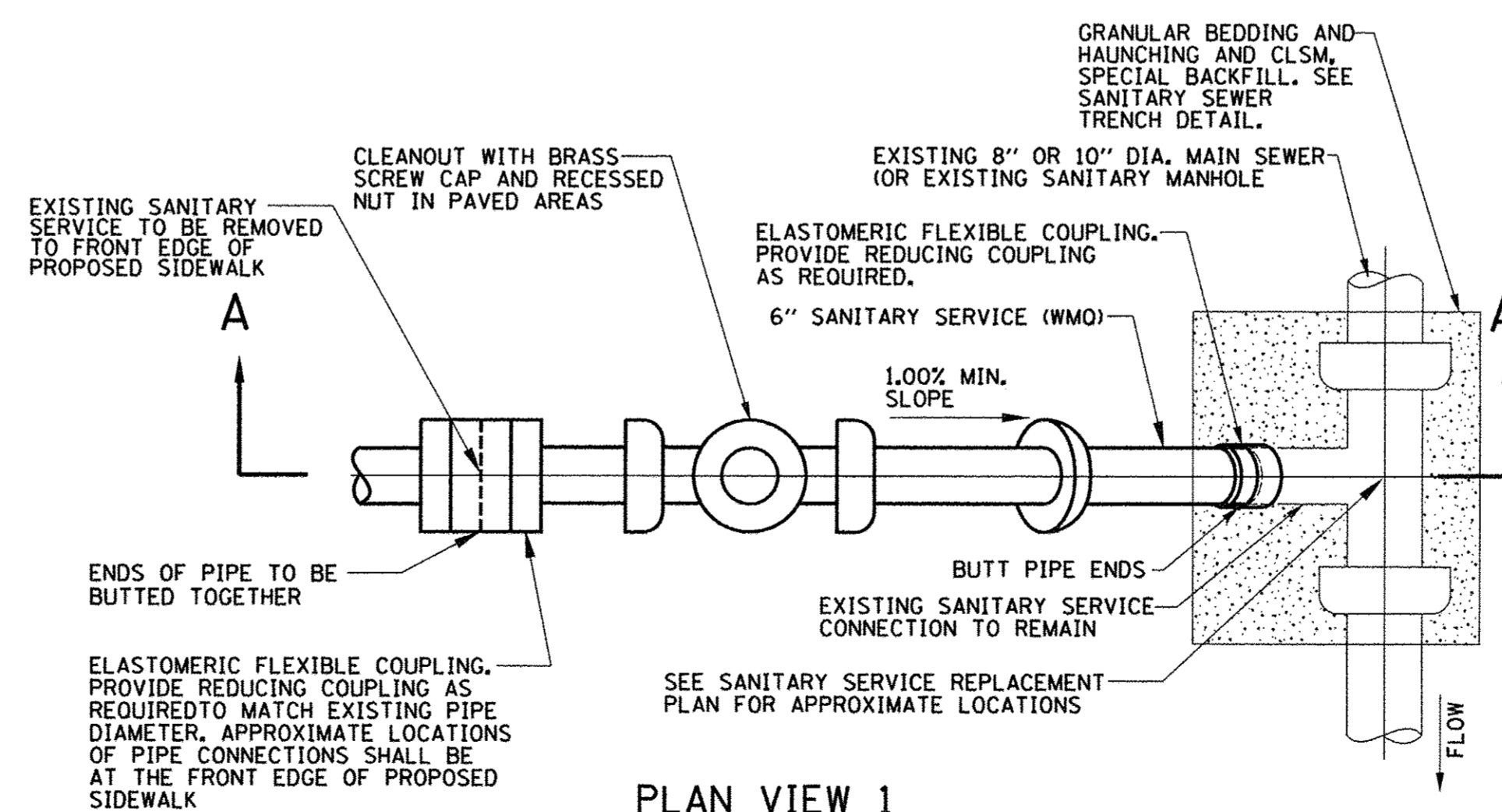
SECTION A-A



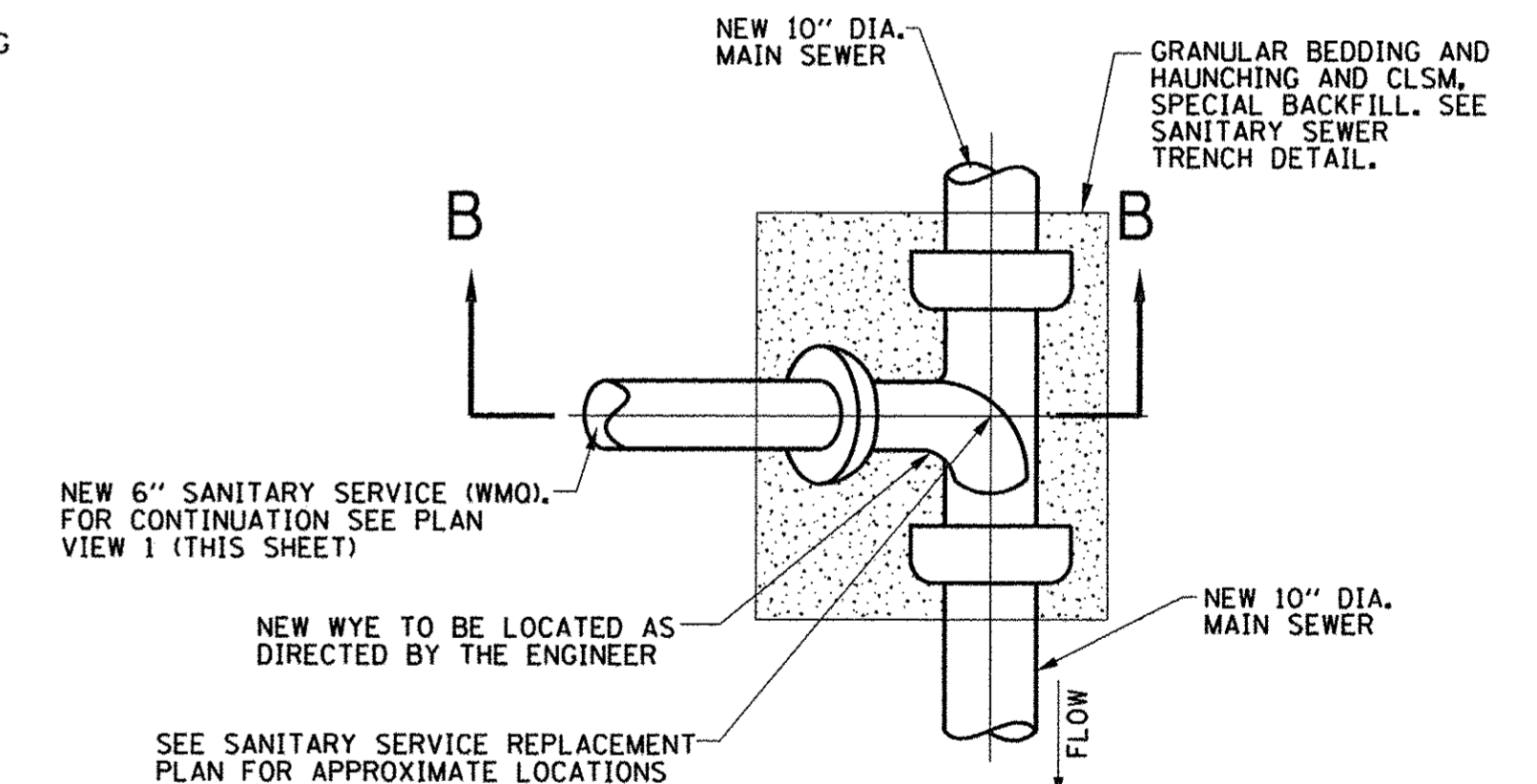
SECTION B-B

NOTES FOR SANITARY SERVICE REPLACEMENT DETAILS, SANITARY SERVICE CONNECTION TO BE REMOVED, AND SANITARY SEWER 6":

- SEE THE SPECIAL PROVISIONS FOR TYPES OF MATERIALS ALLOWED FOR THE SANITARY SEWER SERVICE PIPES AND FITTINGS.
- THE EXACT LOCATIONS AND DEPTHS OF THE EXISTING SANITARY SEWER SERVICES ARE UNKNOWN, THE CONTRACTOR SHALL BE RESPONSIBLE FOR LOCATING THE SANITARY SEWER SERVICES AND CONNECTION LOCATIONS AND VERIFYING THE SIZE, MATERIAL TYPE, AND DEPTH OF THE PIPES.
- EXISTING SANITARY SEWER SERVICES SHALL BE REMOVED AND REPLACED FROM THE EXISTING SANITARY SEWER SERVICE CONNECTION TO THE PROPOSED FRONT EDGE OF SIDEWALK AS SHOWN IN THE SANITARY SERVICE REPLACEMENT PLAN AND AS DIRECTED BY THE ENGINEER. THE EXISTING SANITARY SEWER SERVICE CONNECTION SHALL REMAIN IN PLACE UNLESS OTHERWISE DIRECTED BY THE ENGINEER.
- HORIZONTAL PIPE, VERTICAL RISERS, BENDS, CONNECTIONS TO EXISTING PIPES, CLEANOUT PIPE, AND ALL FITTINGS WILL NOT BE PAID FOR SEPARATELY BUT SHALL BE INCLUDED IN THE COST OF THE "SANITARY SERVICE REPLACEMENT" PAY ITEM, AND NO ADDITIONAL COMPENSATION WILL BE ALLOWED. SEE THE SPECIAL PROVISIONS FOR ADDITIONAL INFORMATION.
- AT LOCATIONS WHERE THE EXISTING SANITARY SEWER SERVICE CONNECTION CANNOT BE USED FOR THE SANITARY SERVICE REPLACEMENT, CONNECTIONS TO EXISTING MAIN SEWERS SHALL BE MADE AS DIRECTED BY THE ENGINEER. THIS WORK SHALL BE PERFORMED IN ACCORDANCE WITH DETAILS 1 OR 2 AND THE SPECIAL PROVISIONS. FURNISHING AND INSTALLING THE APPROPRIATE COUPLING, FITTING, OR SADDLE FOR CONNECTION TO THE EXISTING MAIN SEWER, THIS WORK WILL NOT BE PAID FOR SEPARATELY BUT SHALL BE INCLUDED IN THE COST OF THE "SANITARY SERVICE REPLACEMENT" PAY ITEM, AND NO ADDITIONAL COMPENSATION WILL BE ALLOWED. SEE THE SPECIAL PROVISIONS FOR ADDITIONAL INFORMATION.
- IF AN EXISTING SANITARY SEWER SERVICE CONNECTION IS DETERMINED BY THE ENGINEER TO BE ABANDONED IT SHALL BE DISCONNECTED FROM THE MAIN SEWER AND REMOVED. THE HOLE IN THE MAIN SEWER SHALL BE REPAIRED AS SHOWN ON THE "SANITARY SERVICE CONNECTION TO BE REMOVED" DETAIL. THIS WORK WILL NOT BE PAID FOR SEPARATELY BUT SHALL BE INCLUDED IN THE COST OF THE "SANITARY SERVICE REPLACEMENT" PAY ITEM, AND NO ADDITIONAL COMPENSATION WILL BE ALLOWED. SEE THE SPECIAL PROVISIONS FOR ADDITIONAL INFORMATION.
- SERVICE CLEANOUTS SHALL BE ADDED TO NEW SANITARY SEWER SERVICE LINES WHEN NONE EXIST. EXISTING SERVICE CLEANOUTS BETWEEN THE FRONT EDGE OF PROPOSED SIDEWALK AND THE EXISTING MAIN LINE SANITARY SEWER SHALL BE REPLACED WITH THE SANITARY SEWER SERVICE. CLEANOUT INSTALLATION OR REPLACEMENT SHALL BE INCLUDED IN THE COST OF THE "SANITARY SERVICE REPLACEMENT" PAY ITEM, AND NO ADDITIONAL COMPENSATION WILL BE ALLOWED. SEE THE SPECIAL PROVISIONS FOR ADDITIONAL INFORMATION.



PLAN VIEW 1
CONNECTION TO EXISTING MAIN SEWER



PLAN VIEW 2
CONNECTION TO NEW MAIN SEWER

SANITARY SERVICE REPLACEMENT DETAILS

FILE NAME = p:\c0010720_mcore\plans\sheets\Project2\p2-sht-sanitary-details.dgn
PLOT DATE = 3/28/2016 4:56:23 PM

DESIGNED - R.L.H.	REVISED -
DRAWN - D.L.M.	REVISED -
CHECKED - C.S.G.	REVISED -
DATE - MARCH 2016	REVISED -

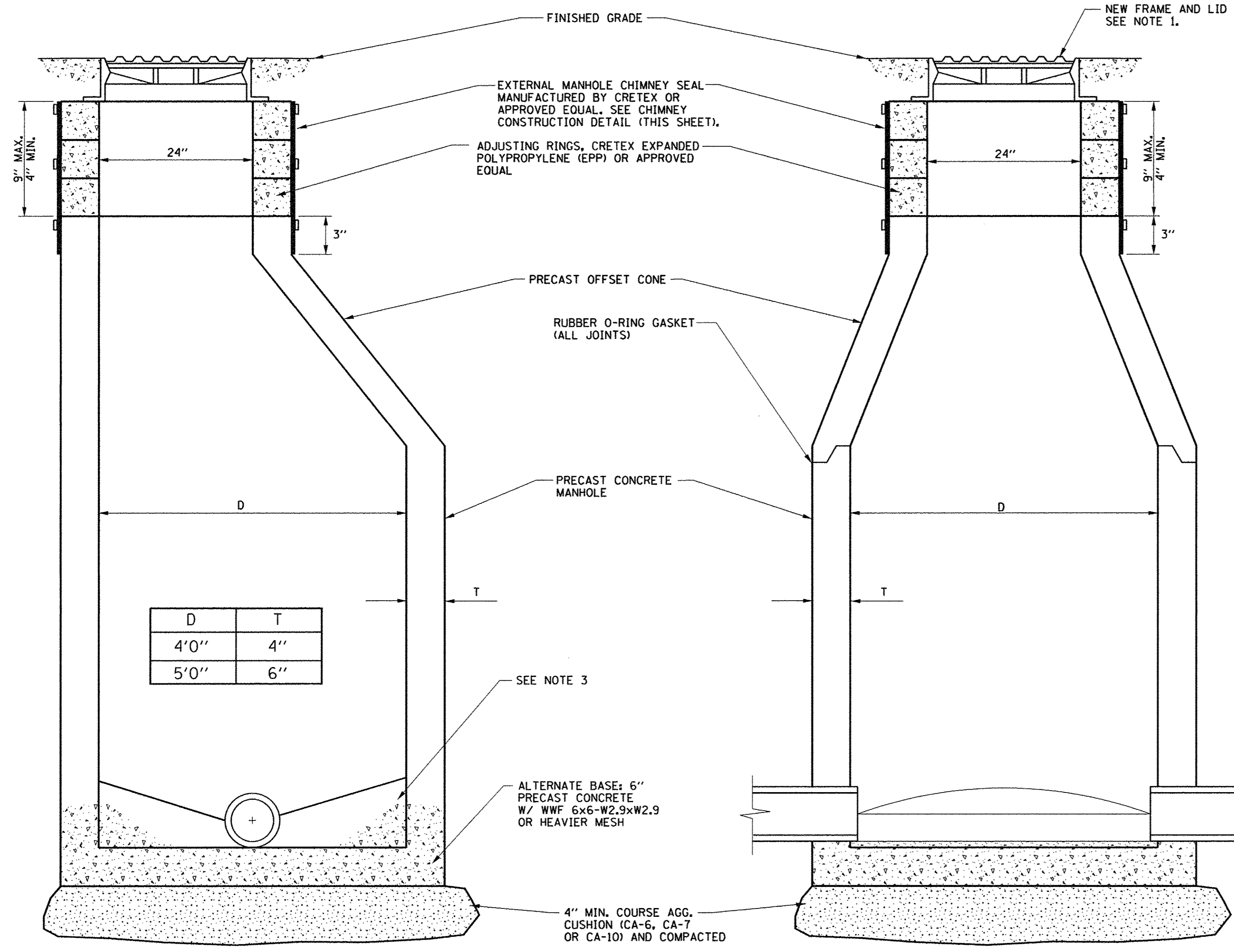
STATE OF ILLINOIS
DEPARTMENT OF TRANSPORTATION

SANITARY SEWER PLANS
DETAILS

SCALE : NONE SHEET NO. 216 OF 412 SHEETS STA. TO STA.

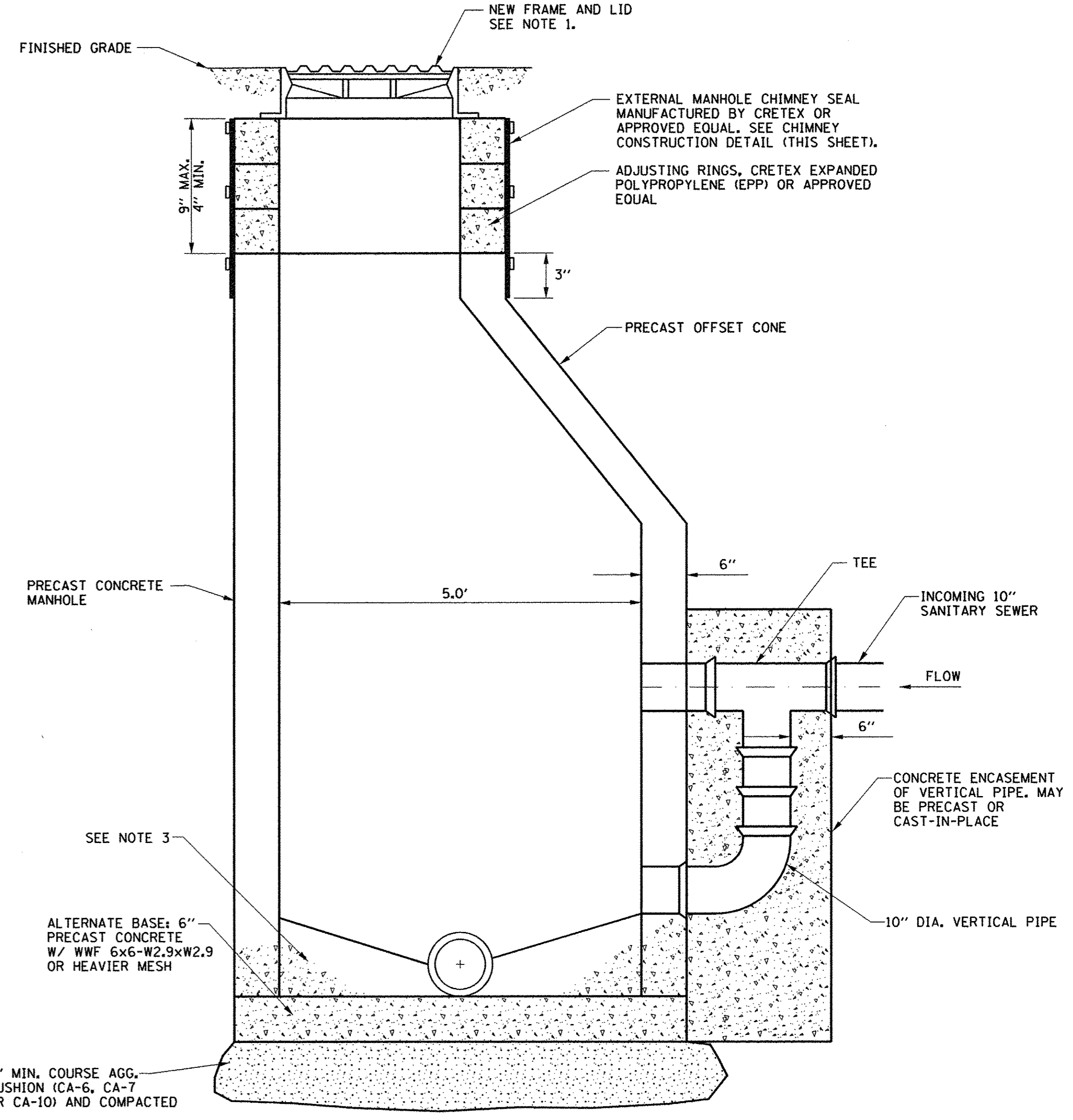
F.A.U. RTE.	SECTION	COUNTY	TOTAL SHEETS	SHEET NO.
7126	15-00304-02-PV	CHAMPAIGN	412	216
MCORE PROJECT 2 CONTRACT NO. 91540				
JOB NO. C-95-306-16 ILLINOIS FED. AID PROJECT T16-5181(058)				





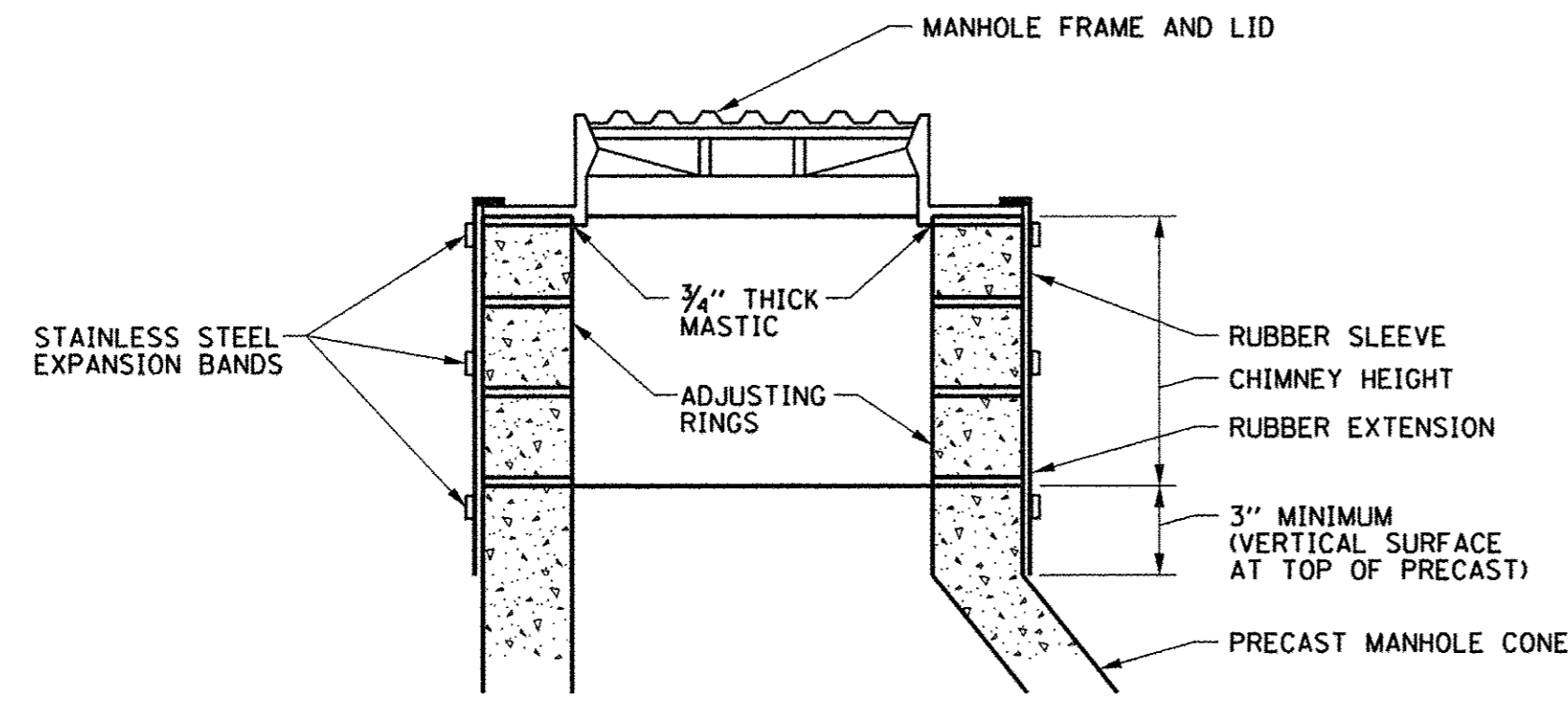
D	T
4'0"	4"
5'0"	6"

MANHOLES, SANITARY DETAIL



DROP SANITARY MANHOLE DETAIL

ALL OPENINGS FOR INLET AND OUTLET PIPES SHALL BE PRECAST WITH THE BOTTOM MANHOLE SECTION. SAID OPENING SHALL CONTAIN FLEXIBLE BOOTS WHICH ARE COMPATIBLE WITH THE SIZE AND TYPE OF SEWER PIPE USED. KOR-N-SEAL OR EQUIVALENT.



CHIMNEY CONSTRUCTION DETAIL

- NOTES:
- CASTING SHALL BE NEENAH R-1713 WITH TYPE B SELF-SEALING LID OR APPROVED EQUAL WITH "SANITARY" CAST INTO LID. WHERE BOLT DOWN LIDS ARE REQUIRED, CASTING SHALL BE R-1916D OR APPROVED EQUAL. MANHOLES IN GRASSED AREAS SHALL HAVE FINISHED GRADE 2" BELOW TOP OF CASTING.
 - CONCRETE MANHOLE BASE AND FILLET SHALL BE CAST INTEGRALLY WITH BOTTOM MANHOLE SECTION FOR NEW CONSTRUCTION. FOR NEW MANHOLE ON EXISTING SEWERS, A PRECAST, REINFORCED MANHOLE BASE, 6" MIN. THICKNESS MAY BE USED.
 - INSIDE AND OUTSIDE OF ALL JOINTS AND PIPE OPENINGS SHALL BE FILLED WITH MORTAR AND BRUSHED SMOOTH.
 - OUTSIDE OF ALL JOINTS SHALL BE SEALED WITH BITUMINOUS MATERIAL.
 - SERVICE SEWER SHALL BE ANGLED IN DIRECTION OF FLOW, WITH INVERT OF SERVICE SEWER SET BETWEEN CENTER OF MAIN SEWER AND NOT MORE THAN TWO FEET ABOVE CENTER OF MAIN SEWER AND CHANNELLED DOWN TO CENTER OF MAIN SEWER.
 - NO MANHOLE STEPS.
 - ALL MANHOLE JOINT AND PIPE CONNECTIONS SHALL BE WATER TIGHT AND FREE FROM INFILTRATION.
 - REHABILITATION WORK MAY VARY FROM STANDARD DETAIL WITH WRITTEN APPROVAL FROM THE ENGINEER ACCORDING TO CONTRACT DOCUMENTS.
 - THE COST OF FURNISHING AND INSTALLING THE MATERIALS REQUIRED FOR THIS WORK WILL NOT BE PAID FOR SEPARATELY BUT SHALL BE INCLUDED IN THE COST OF THE SANITARY MANHOLE OR DROP SANITARY MANHOLE, AND NO ADDITIONAL COMPENSATION WILL BE ALLOWED.

FILE NAME = p:\c0010720_mcore\plans\sheets\Project2\P2-sht-sanitary-details.dgn
PLOT DATE = 3/23/2016 4:56:24 PM

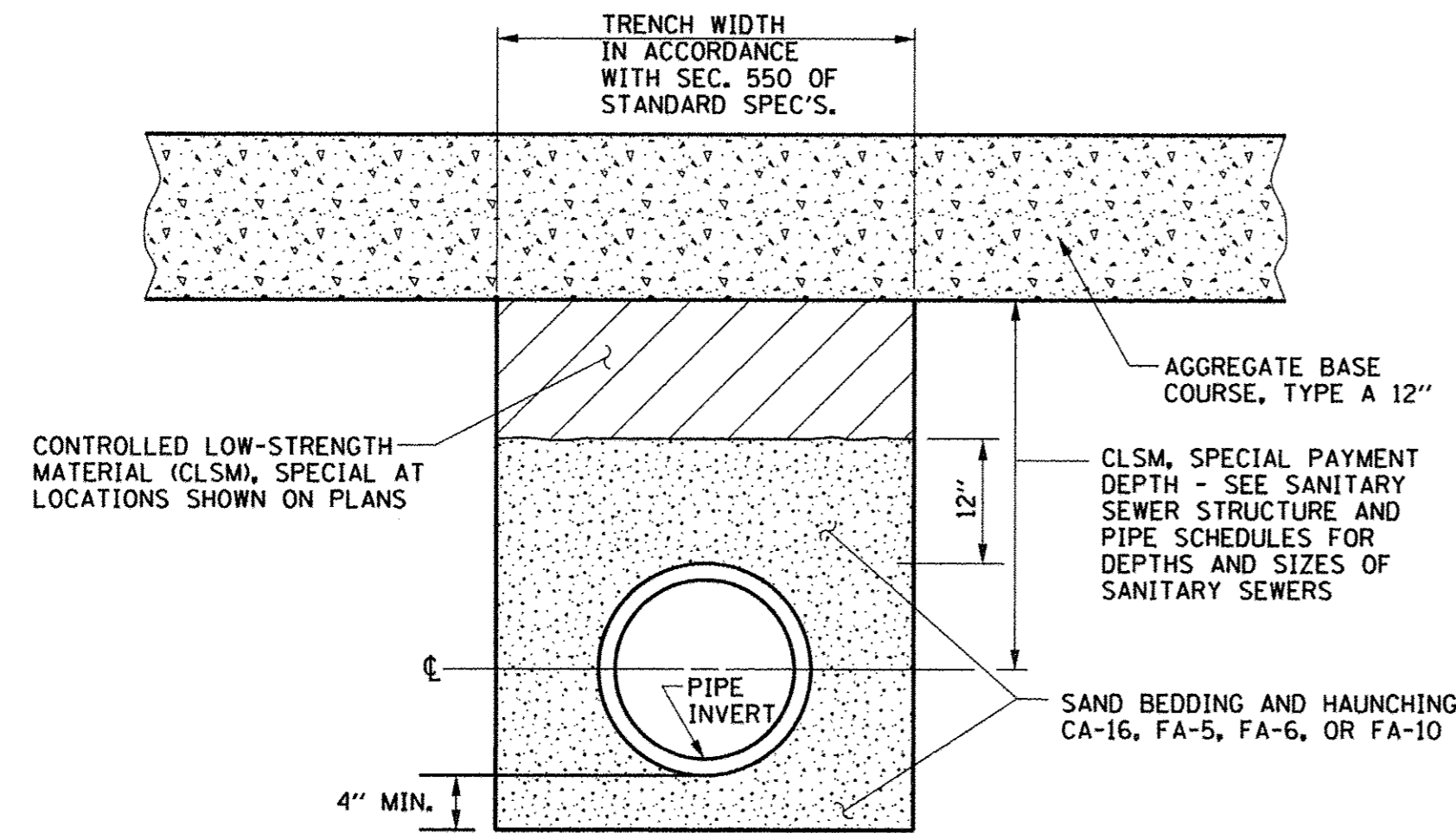
DESIGNED - R.J.H. REVISIONS -
DRAWN - D.L.M. REVISIONS -
CHECKED - C.S.G. REVISIONS -
DATE - MARCH 2016 REVISIONS -

STATE OF ILLINOIS
DEPARTMENT OF TRANSPORTATION

SANITARY SEWER PLANS
DETAILS

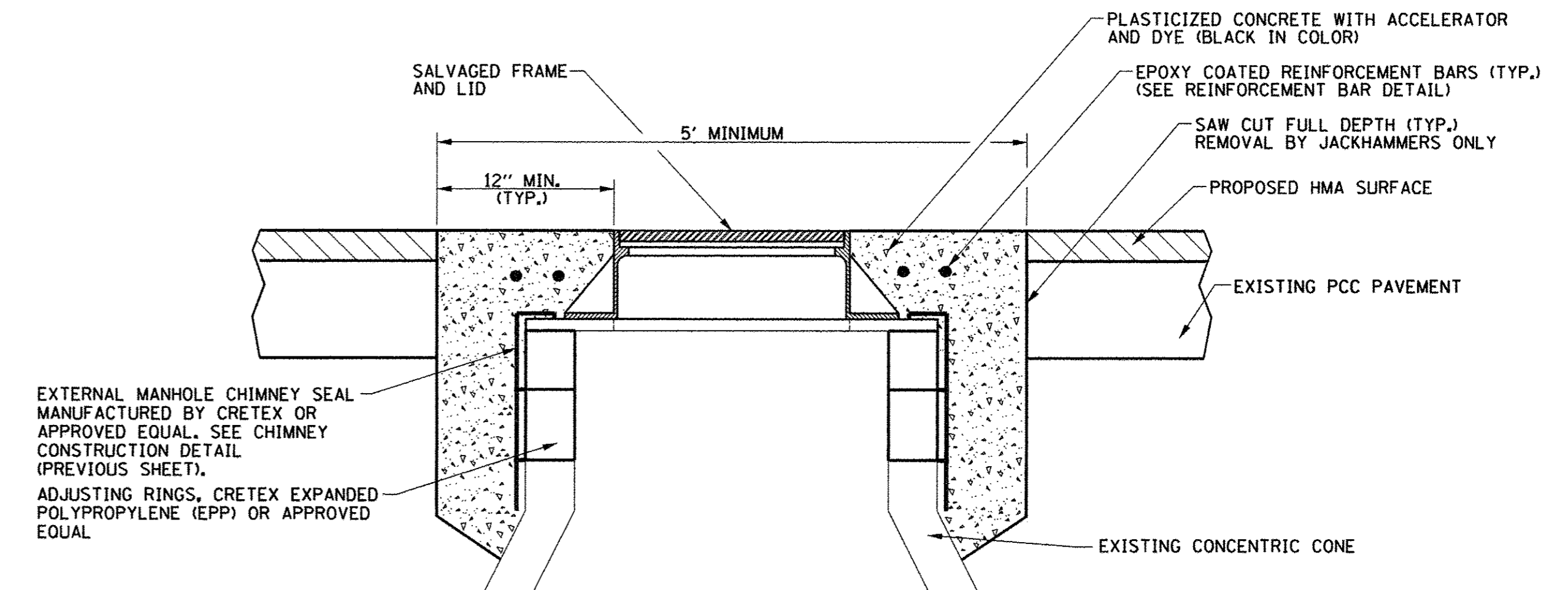
SCALE : NONE SHEET NO. 217 OF 412 SHEETS STA. TO STA.

F.A.U. RTE.	SECTION	COUNTY	TOTAL SHEETS	SHEET NO.
7126	15-00304-02-PV	CHAMPAIGN	412	217
MCORE PROJECT 2			CONTRACT NO. 91540	
JOB NO. C-95-306-16 ILLINOIS FED. AID PROJECT TIG-5181(05B)				

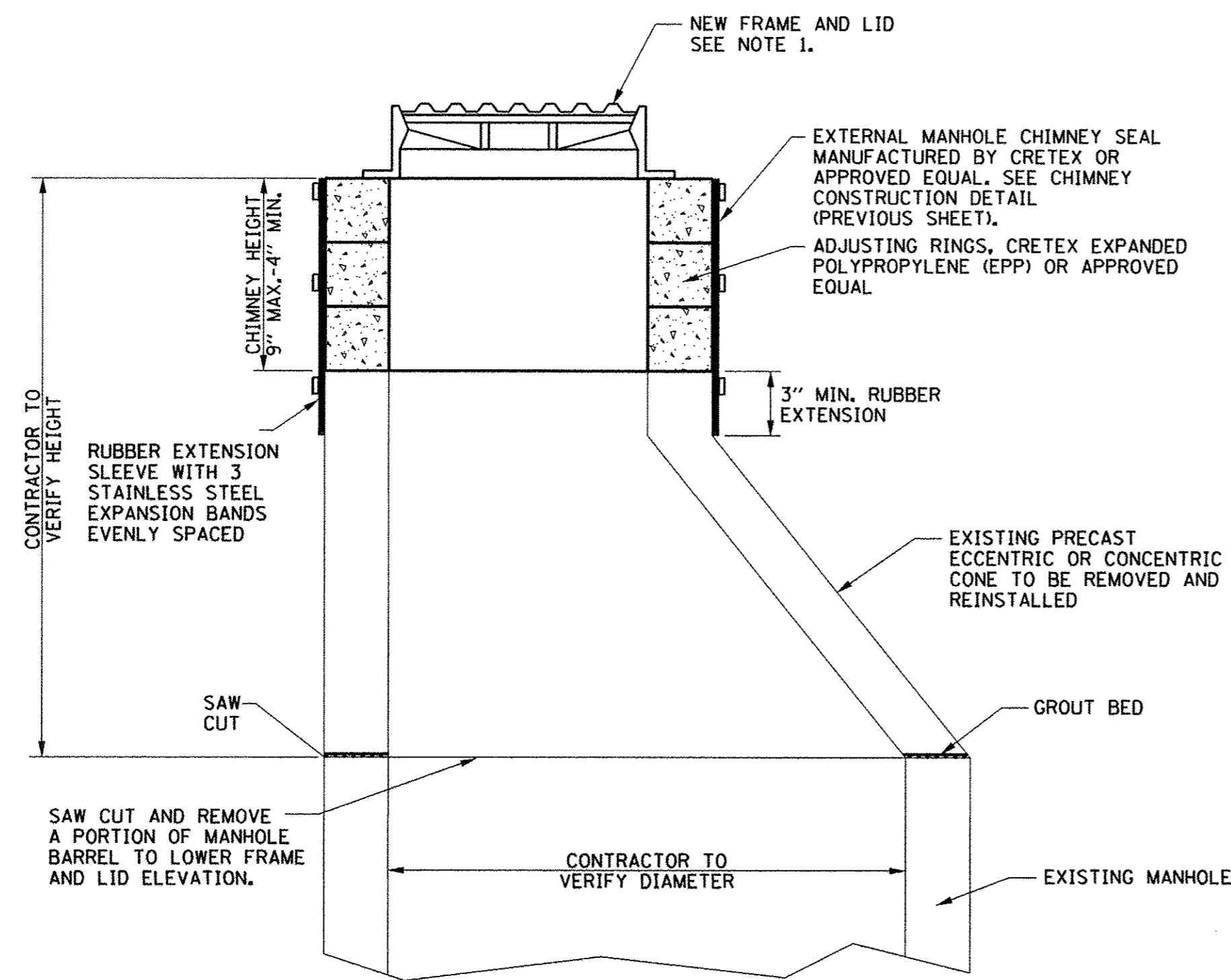


- NOTES:
1. THE APPLICABLE ARTICLES OF SECTION 550 OF THE STANDARD SPECIFICATIONS SHALL APPLY FOR EXCAVATION, BEDDING, AND INSTALLATION OF THE SANITARY SEWERS.
 2. THE USE OF DOUBLE TRENCH BOXES WILL BE ALLOWED TO MINIMIZE TRENCH WIDTHS.
 3. THE AGGREGATE BEDDING AND HAUNCHING MATERIAL SHALL BE PLACED IN 8 INCH LIFTS, LOOSE MEASUREMENT AND COMPACTED TO THE SATISFACTION OF THE ENGINEER.
 4. THE CLSM, SPECIAL SHALL BE PLACED IN LIFTS AS DESCRIBED IN SECTION 593 OF THE STANDARD SPECIFICATIONS.
 5. THE COST OF TRENCHING, AGGREGATE BEDDING MATERIAL, AND AGGREGATE HAUNCHING MATERIAL FROM THE TOP OF THE BEDDING TO THE CENTER LINE OF THE PIPE WILL NOT BE PAID FOR SEPARATELY BUT SHALL BE INCLUDED IN THE COST OF THE SANITARY SEWER, AND NO ADDITIONAL COMPENSATION WILL BE ALLOWED.
 6. THE CLSM, SPECIAL WILL BE PAID FOR IN ACCORDANCE WITH SECTION 593 OF THE STANDARD SPECIFICATIONS AND IS BASED ON DEPTHS MEASURED FROM THE CENTERLINE OF THE PIPE TO THE BOTTOM OF AGGREGATE BASE COURSES, PAVEMENTS, OR SIDEWALKS AND INCLUDES PAYMENT FOR THE AGGREGATE HAUNCHING MATERIAL FROM THE CENTERLINE OF THE PIPE TO 12 INCHES ABOVE THE TOP OF THE PIPE AS SHOWN ON THE DETAIL.

SANITARY SEWER TRENCH DETAIL

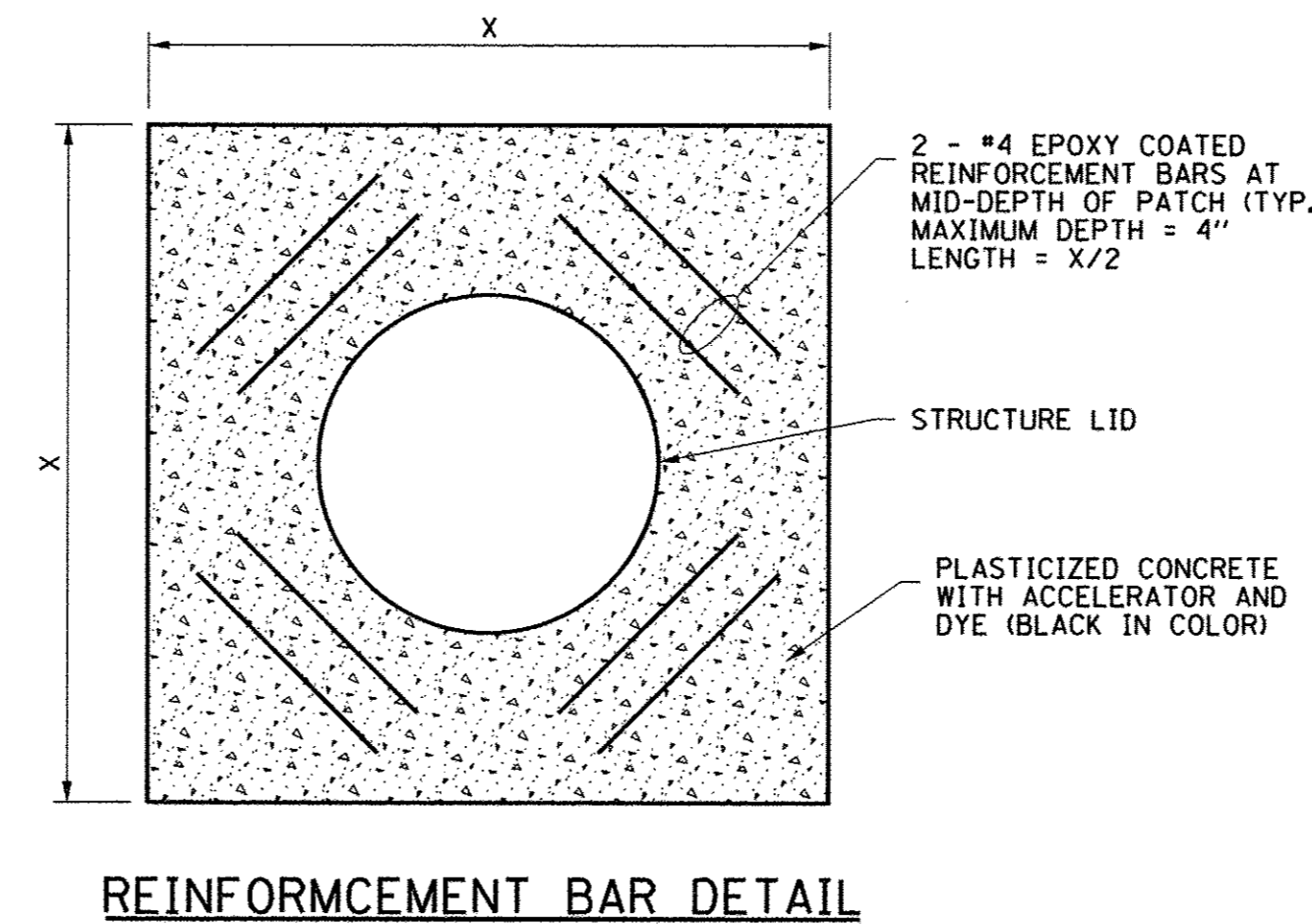


PERMANENT CONCRETE PAVEMENT PATCH DETAIL

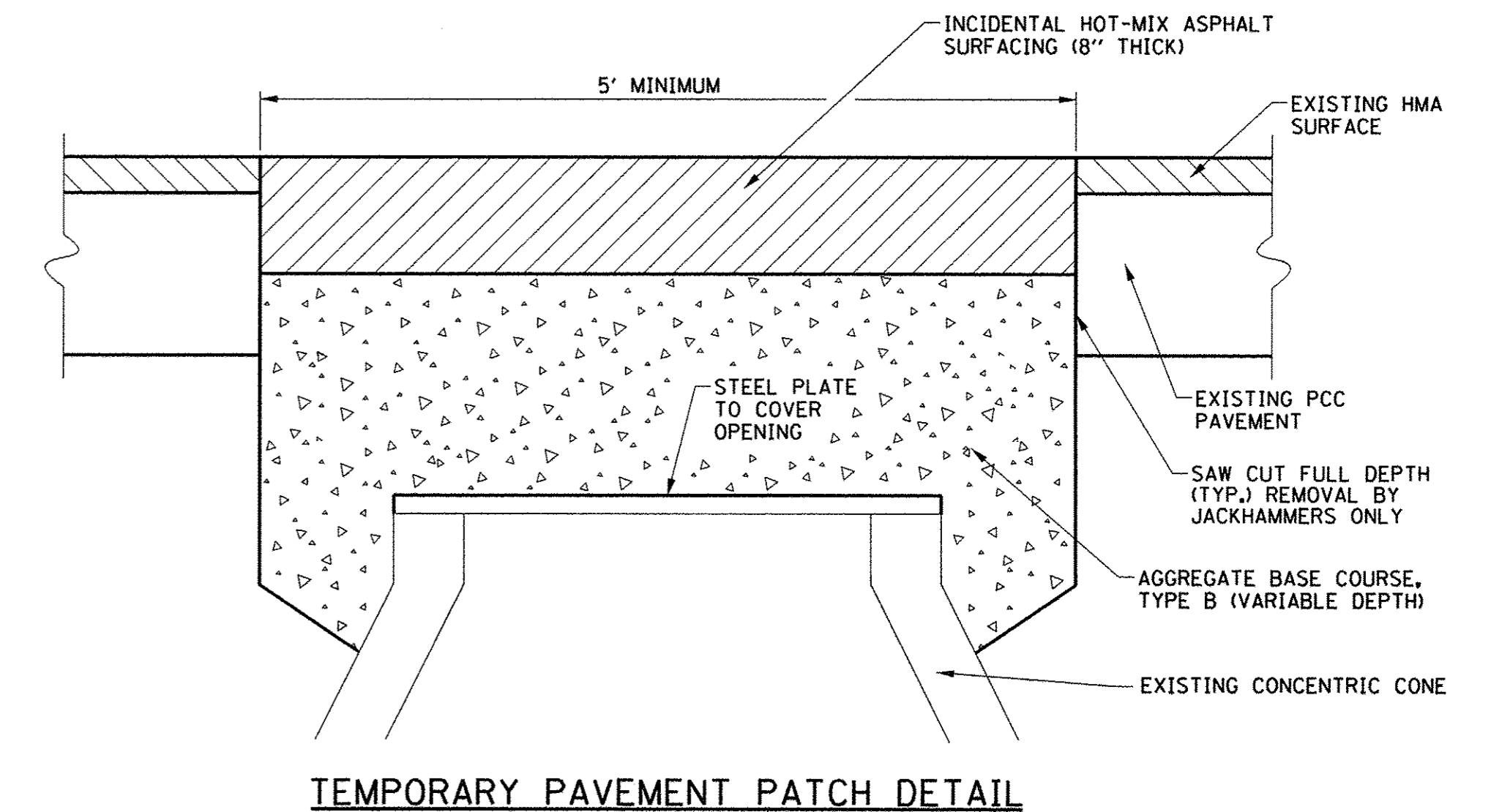


SANITARY MANHOLES TO BE RECONSTRUCTED DETAIL

- NOTES:
1. NEW CASTING SHALL BE NEENAH R-1713 WITH TYPE B SELF-SEALING LID OR APPROVED EQUAL WITH "SANITARY" CAST INTO LID. CONTRACTOR SHALL FURNISH AND INSTALL NEW FRAMES AND LIDS AS DIRECTED BY THE ENGINEER. MANHOLES TO BE RECONSTRUCTED IN GRASSED AREAS SHALL HAVE FINISHED GRADE 2" BELOW TOP OF CASTING.
 2. OUTSIDE OF ALL JOINTS SHALL BE SEALED WITH BITUMINOUS MATERIAL.
 3. THE COST OF FURNISHING AND INSTALLING THE MATERIALS REQUIRED FOR THIS WORK WILL NOT BE PAID FOR SEPARATELY BUT SHALL BE INCLUDED IN THE COST OF RECONSTRUCTING THE SANITARY MANHOLE, AND NO ADDITIONAL COMPENSATION WILL BE ALLOWED. NEW FRAMES AND LIDS, WHERE REQUIRED, WILL BE PAID FOR SEPARATELY.



REINFORCEMENT BAR DETAIL



TEMPORARY PAVEMENT PATCH DETAIL

MANHOLES TO BE ADJUSTED (SPECIAL) DETAILS

- NOTES:
1. THIS WORK WILL BE PAID FOR AT THE CONTRACT UNIT PRICE EACH FOR MANHOLES TO BE ADJUSTED (SPECIAL), WHICH PRICE SHALL INCLUDE ALL LABOR, MATERIAL, AND EQUIPMENT NECESSARY TO COMPLETE THE WORK, INCLUDING SAW CUTTING, PAVEMENT REMOVAL, EXCAVATION, TEMPORARY PAVEMENT PATCHING, ADJUSTING RINGS, CHIMNEY SEAL, PLACEMENT OF THE SALVAGED FRAME AND LID, AND PLACEMENT OF THE PLASTICIZED BLACK CONCRETE PATCH WITH REINFORCEMENT BARS.
 2. THE REINFORCEMENT BARS SHALL BE EPOXY COATED.
 3. THE REINFORCEMENT BARS SHALL BE INCLUDED IN THE COST OF MANHOLES TO BE ADJUSTED (SPECIAL).
 4. THE MINIMUM CLEARANCE BETWEEN REINFORCEMENT BARS, CASTINGS, AND PATCH EDGES SHALL BE 3 INCHES.
 5. THE TEMPORARY PAVEMENT PATCHES ARE REQUIRED UNTIL THE CASTINGS ARE ADJUSTED TO GRADE AFTER THE HMA RESURFACING IS COMPLETE AND THE PERMANENT CONCRETE PAVEMENT PATCHES ARE TO BE CONSTRUCTED. FURNISHING AND INSTALLING THE STEEL PLATE AND TEMPORARY PAVEMENT PATCHES, INCLUDING ALL INCIDENTAL HOT-MIX ASPHALT SURFACING AND AGGREGATE BASE COURSE, SHALL BE INCLUDED IN THE COST OF MANHOLES TO BE ADJUSTED (SPECIAL), AND NO ADDITIONAL COMPENSATION WILL BE ALLOWED.
 6. SEE THE TECHNICAL SPECIFICATIONS FOR ADDITIONAL INFORMATION.



FILE NAME = p:\c0010720_mcore\plans\sheets\Project2\P2-sht-sanitary-details.dgn
 PLOT DATE = 3/23/2016 4:56:29 PM

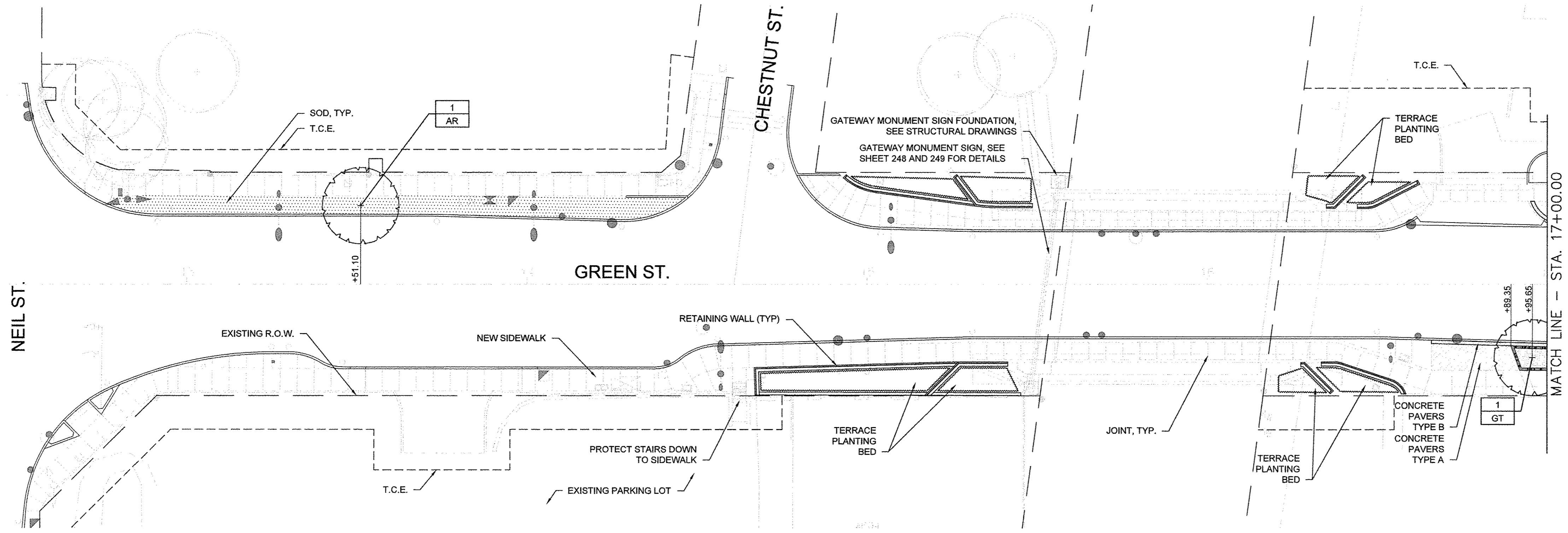
DESIGNED - R.J.H. REVISED -
 DRAWN - R.J.H. REVISED -
 CHECKED - C.S.G. REVISED -
 DATE - MARCH 2016 REVISED -

STATE OF ILLINOIS
 DEPARTMENT OF TRANSPORTATION

SANITARY SEWER PLANS
 DETAILS

SCALE : NONE SHEET NO. 218 OF 412 SHEETS STA. TO STA.

F.A.U. RTE.	SECTION	COUNTY	TOTAL SHEETS	SHEET NO.
7126	15-00304-02-PV	CHAMPAIGN	412	218
MCORE PROJECT 2		CONTRACT NO. 91540		
JOB NO. C-95-306-16 ILLINOIS FED. AID PROJECT TIG-5181(058)				



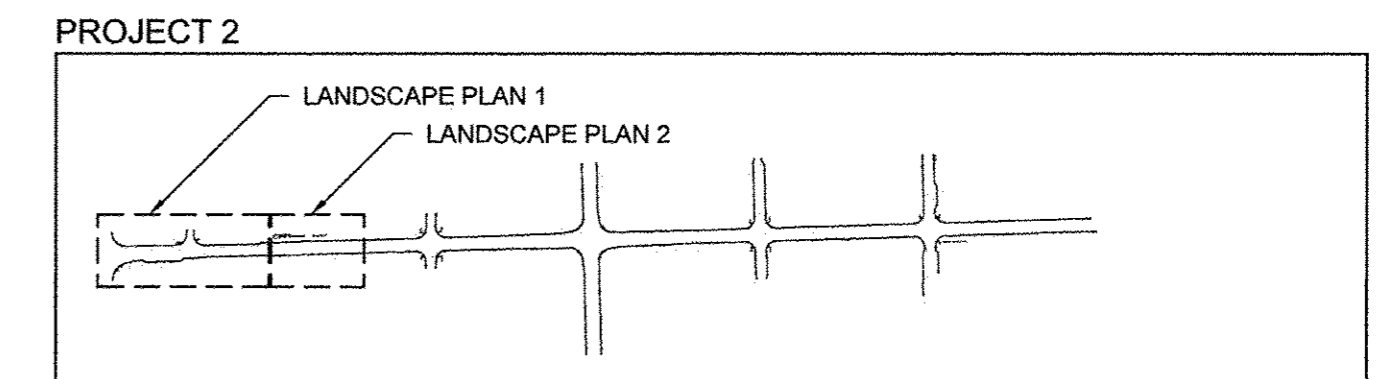
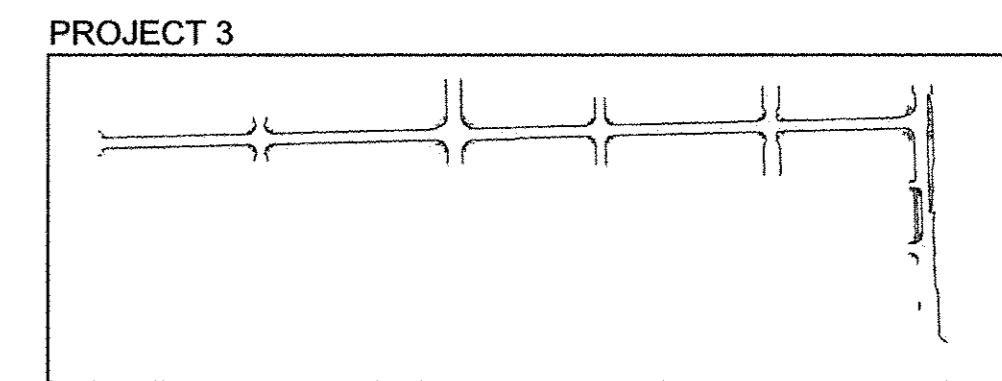
1 LANDSCAPE PLAN 1
1" = 20'-0"

- GENERAL NOTES:**
- SEE SHEETS 233 - 238 FOR PLANTER ENLARGEMENTS.
 - SEE SHEET 239 FOR TERRACE PLANTING BED ENLARGEMENT PLANS.
 - REFER TO 10 SCALE PLANS FOR PRECAST PLANTER EDGE TYPE.
 - COMPLY WITH ALL APPLICABLE FEDERAL, STATE AND LOCAL CODES AND ORDINANCES FOR ALL WORK AND OPERATIONS.
 - KEEP ALL AREAS CLEAN, NEAT AND ORDERLY AT ALL TIMES, CLEAR OF RUBBISH AND DEBRIS. LEGALLY DISPOSE OF ALL MATERIALS REMOVED FROM THE SITE.
 - PROTECT STRUCTURES, UTILITIES, SIDEWALKS, PAVEMENTS, FENCING, FURNISHINGS AND PLANTINGS, TREES AND LAWNS FROM DAMAGE CAUSED BY SETTLEMENT, LATERAL MOVEMENT, UNDERMINING, WASHOUTS, AND OTHER HAZARDS CREATED BY SITE IMPROVEMENTS. IF ANY DAMAGE OCCURS, REPAIR TO ORIGINAL CONDITION AT NO ADDITIONAL COST.
 - PROTECT AND/OR RESTORE EXISTING LAWN TO EXCELLENT CONDITION WITH TOPSOIL AND SOD.
 - VERIFY DIMENSIONS IN FIELD.
 - COORDINATE WORK WITH ALL OTHER TRADES.

- PAVING NOTES:**
- INSTALL ALL PAVING TO BE SMOOTH AND CONTINUOUS WITHOUT KINKS OR ABRUPT CHANGES. STAKE LAYOUT AND FRAMEWORK AND ACQUIRE APPROVAL OF ENGINEER PRIOR TO CONCRETE POUR AND OTHER CONSTRUCTION ACTIVITIES.
 - MATCH LINE AND GRADE OF PAVEMENT, LAWN AND PLANTING AREAS TO EXISTING ADJACENT AREAS.
 - GRADE ALL PAVED SURFACES TO A MAXIMUM 5% SLOPE WITH A MAXIMUM CROSS SLOPE OF 2% AND A MINIMUM SLOPE OF 0.5%. SLOPE ALL PAVEMENT TO DRAIN AWAY FROM BUILDING.
 - ADJUST UTILITY STRUCTURES TO MEET FINISH GRADE.
 - LAYOUT CONTROL JOINTS AT A MAX 6' O.C. AND EXPANSION JOINTS AT A MAX 30' O.C. UNLESS OTHERWISE NOTED, IF PAVEMENT IS ARCHED, LAYOUT CONTROL JOINTS EQUALLY ALONG LENGTH OF ARC AND PERPENDICULAR TO CENTERLINE OF ARC UNLESS OTHERWISE NOTED.
 - FOR PAVING DETAILS, SEE SHEET 247.
 - ALL OTHER CONTROL JOINTS AND EXPANSION JOINTS ARE PERPENDICULAR AND PARALLEL TO BUILDING FACADE UNLESS OTHERWISE NOTED.
 - CONTROL JOINTS ARE INTENDED TO ALIGN WITH ENDS OF PLANTERS AND TREE GRATES. AT ANGLED PLANTER EDGES, CONTINUE 70' ANGLE AT CONTROL JOINT. FOR SCORING ENLARGEMENT DETAIL SEE SHEET 247.
 - ALL EXPOSED VERTICAL CONCRETE SURFACES TO BE CHAMFERED 1/2", 45' UNLESS OTHERWISE NOTED.
 - FOR JOINTING DETAILS AT DRIVEWAY, SEE CIVIL DETAILS.
 - EXPANSION JOINTS SHALL ALIGN WITH PLANTER EDGES WHERE APPROPRIATE. FOR FURTHER CLARIFICATION, SEE PAVING DETAILS, SHEET 247.
 - CONTROL JOINTS ARE TO BE TOOLED WITH A LIGHT BROOM FINISH.

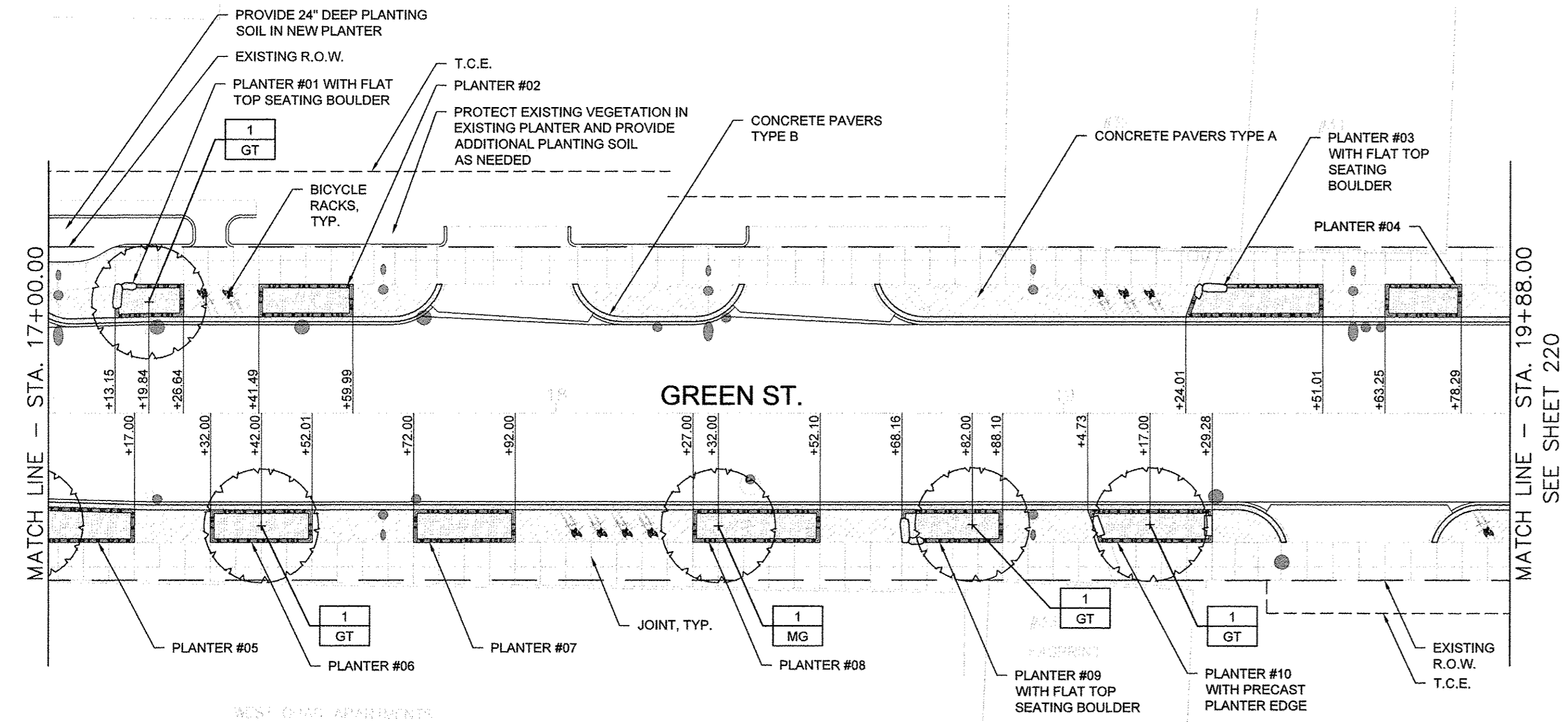
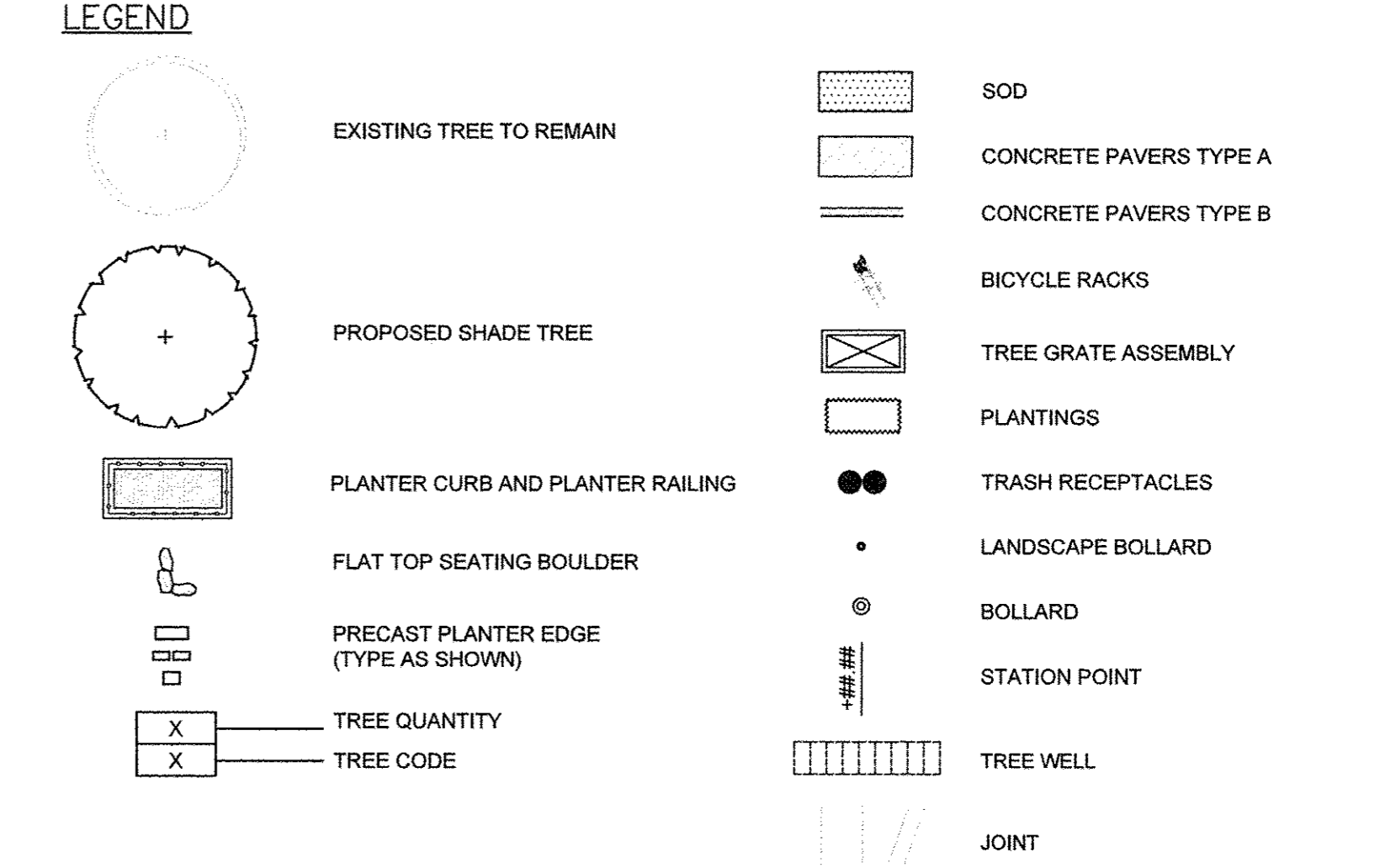
- FURNISHING NOTES:**
- CONFIRM ALL FURNISHING QUANTITIES AND DIMENSIONS.
 - FOR FURNISHING DETAILS, SEE SHEETS 246.
 - PROVIDE STAINLESS STEEL TAMPER PROOF FASTENERS.
 - FOR TREE WELL DETAILS, SEE SHEET 243.

SITE KEY PLAN
NOT TO SCALE



PLANT SCHEDULE - SHEET TOTAL

TREES	CODE	QUANTITY	PAY ITEM	BOTANICAL NAME	COMMON NAME	SIZE	ROOT	REMARK
AR	1	XX006570	Acer rubrum 'Armstrong'	Armstrong Gold Maple	2.5" Cal	B&B	matching heads	
GT	5	A2004617	Gleditsia triacanthos var. inermis 'Street Keeper'	Street Keeper Honeylocust	2.5" Cal	B&B	matching heads	
MG	1	XX006570	Metasequoia glyptostroboides 'Gold Rush'	Gold Rush Dawn Redwood	2.5" Cal	B&B	matching heads	



2 LANDSCAPE PLAN 2
1" = 20'-0"

FILE NAME = 7186_land.dwg
PLOT DATE = 2016-03-15 9:03 AM

DESIGNED — BK
DRAWN — DZ/JT/JR
CHECKED — RS, BM
DATE — MARCH 2016

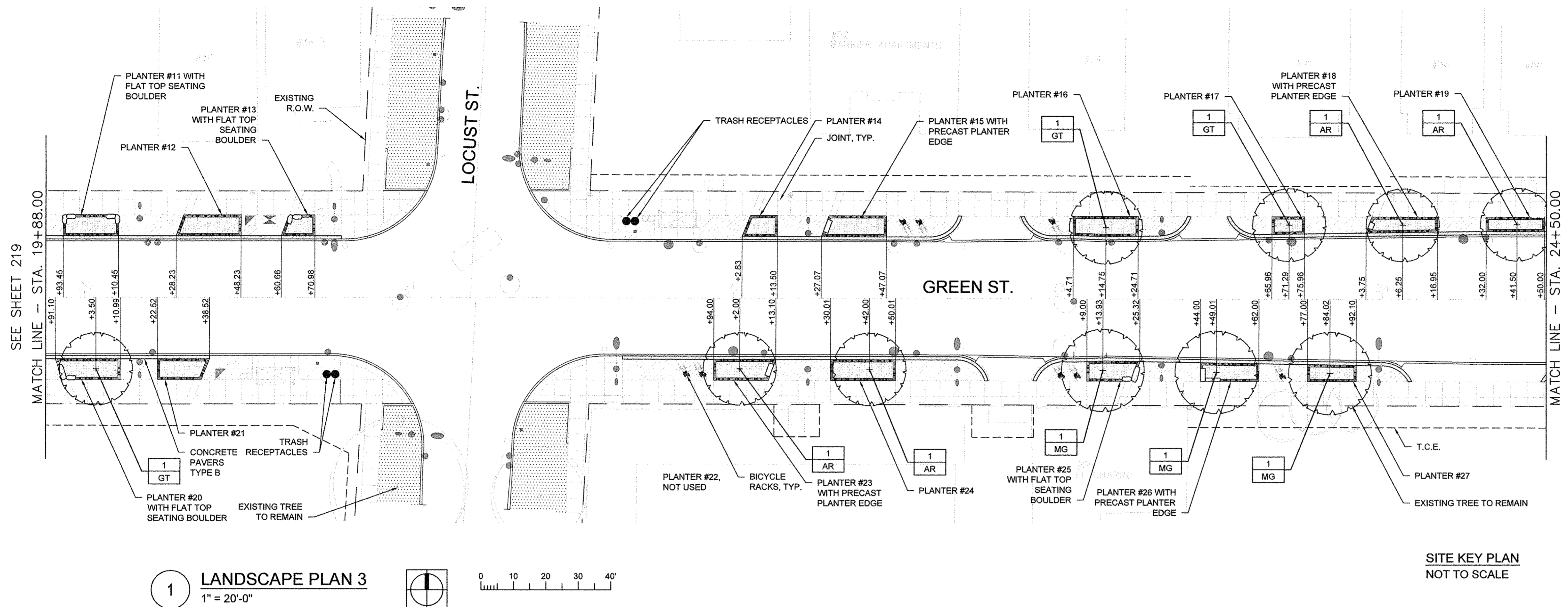
REVISED —
REVISED —
REVISED —
REVISED —

STATE OF ILLINOIS
DEPARTMENT OF TRANSPORTATION

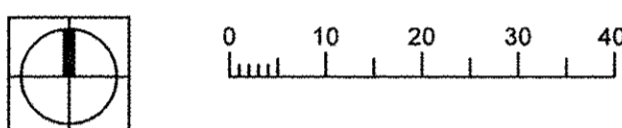
LANDSCAPE PLANS
LANDSCAPE PLAN 1, 2

SCALE : 1"=20' SHEET NO. 219 OF 412 SHEETS STA. 17+00.00 TO STA. 20+00.00

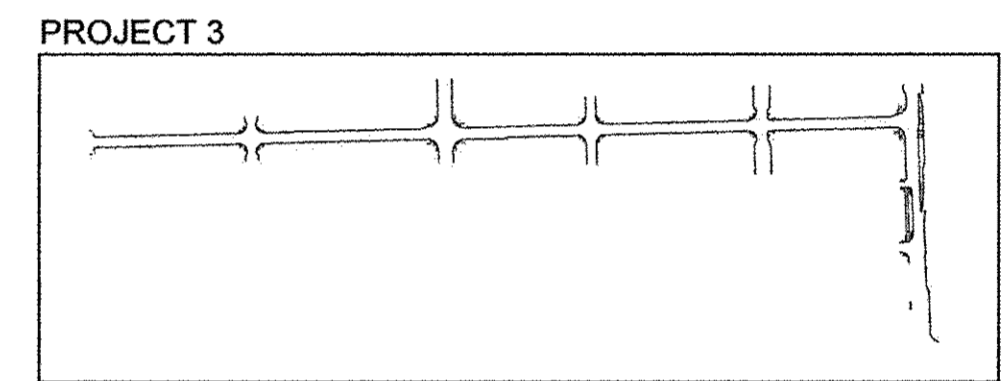
F.A.U. RT.E.	SECTION	COUNTY	TOTAL SHEETS	SHEET NO.
7126	15-00304-02-PV	CHAMPAIGN	412	219
MCORE PROJECT 2		CONTRACT NO. 91540		
JOB NO. C-95-306-16 ILLINOIS FED. AID PROJECT TIG-5181(058)				



1 LANDSCAPE PLAN 3
1" = 20'-0"



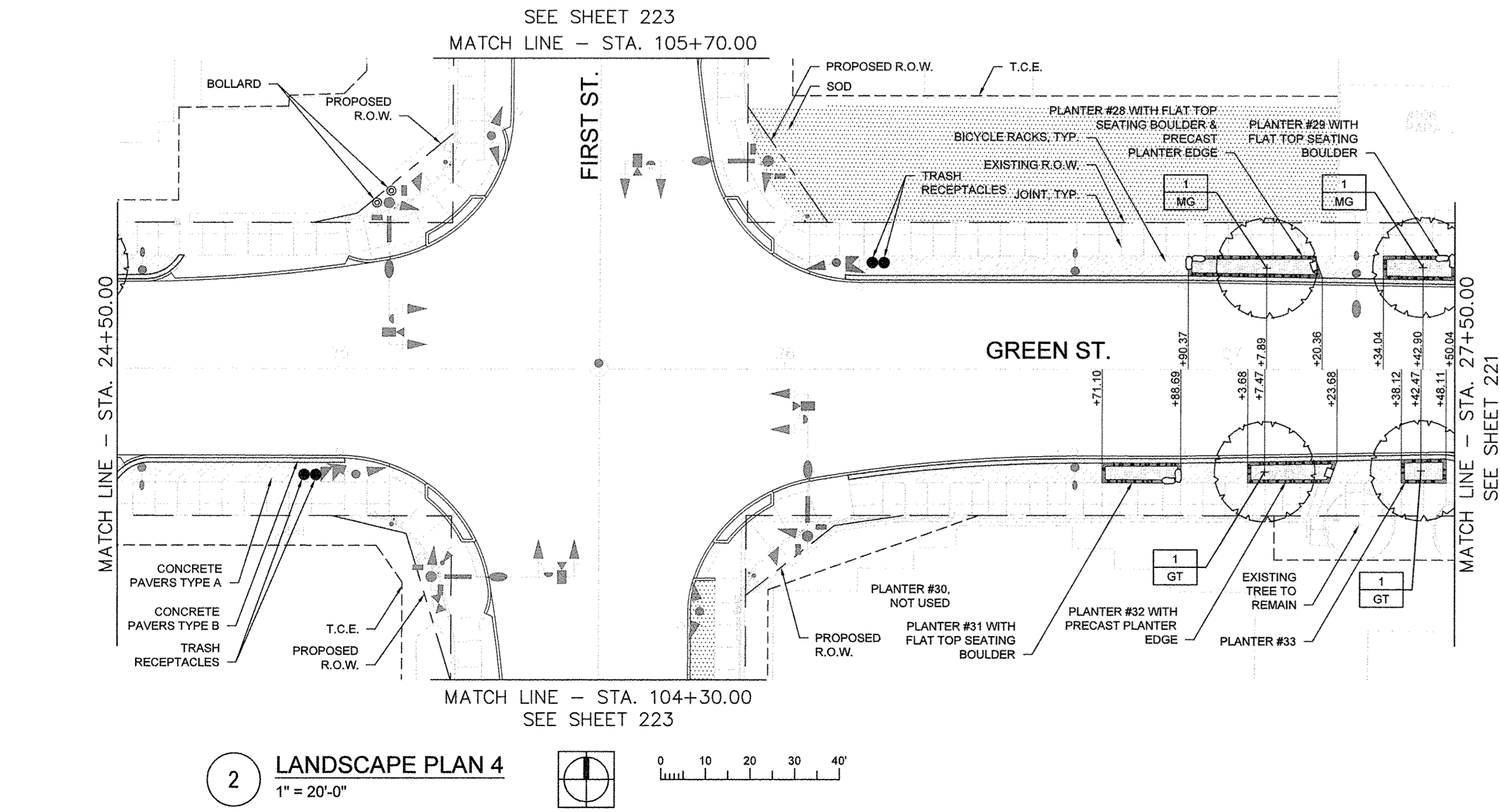
SITE KEY PLAN
NOT TO SCALE



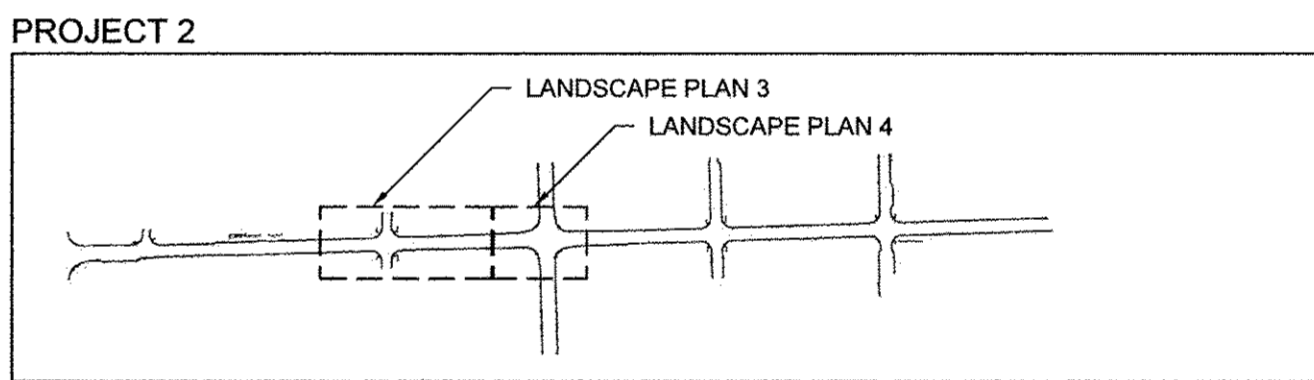
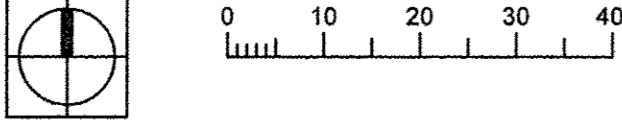
- GENERAL NOTES:**
- SEE SHEETS 233 - 238 FOR PLANTER ENLARGEMENTS.
 - SEE SHEET 239 FOR TERRACE PLANTING BED ENLARGEMENT PLANS.
 - REFER TO 10 SCALE PLANS FOR PRECAST PLANTER EDGE TYPE.
 - COMPLY WITH ALL APPLICABLE FEDERAL, STATE AND LOCAL CODES AND ORDINANCES FOR ALL WORK AND OPERATIONS.
 - KEEP ALL AREAS CLEAN, NEAT AND ORDERLY AT ALL TIMES. CLEAR OF RUBBISH AND DEBRIS. LEGALLY DISPOSE OF ALL MATERIALS REMOVED FROM THE SITE.
 - PROTECT STRUCTURES, UTILITIES, SIDEWALKS, PAVEMENTS, FENCING, FURNISHINGS AND PLANTINGS. TREES AND LAWNS FROM DAMAGE CAUSED BY SETTLEMENT, LATERAL MOVEMENT, UNDERMINING, WASHOUTS, AND OTHER HAZARDS CREATED BY SITE IMPROVEMENTS. IF ANY DAMAGE OCCURS, REPAIR TO ORIGINAL CONDITION AT NO ADDITIONAL COST.
 - PROTECT AND/OR RESTORE EXISTING LAWN TO EXCELLENT CONDITION WITH TOPSOIL AND SOD.
 - VERIFY DIMENSIONS IN FIELD.
 - COORDINATE WORK WITH ALL OTHER TRADES.

- PAVING NOTES:**
- INSTALL ALL PAVING TO BE SMOOTH AND CONTINUOUS WITHOUT KINKS OR ABRUPT CHANGES. STAKE LAYOUT AND FRAMEWORK AND ACQUIRE APPROVAL OF ENGINEER PRIOR TO CONCRETE POUR AND OTHER CONSTRUCTION ACTIVITIES.
 - MATCH LINE AND GRADE OF PAVEMENT, LAWN AND PLANTING AREAS TO EXISTING ADJACENT AREAS.
 - GRADE ALL PAVED SURFACES TO A MAXIMUM 5% SLOPE WITH A MAXIMUM CROSS SLOPE OF 2% AND A MINIMUM SLOPE OF 0.5%. SLOPE ALL PAVEMENT TO DRAIN AWAY FROM BUILDING.
 - ADJUST UTILITY STRUCTURES TO MEET FINISH GRADE.
 - LAYOUT CONTROL JOINTS AT A MAX 6' O.C. AND EXPANSION JOINTS AT A MAX 30' O.C. UNLESS OTHERWISE NOTED. IF PAVEMENT IS ARCED, LAYOUT CONTROL JOINTS EQUALLY ALONG LENGTH OF ARC AND PERPENDICULAR TO CENTERLINE OF ARC UNLESS OTHERWISE NOTED.
 - FOR PAVING DETAILS, SEE SHEET 247.
 - ALL OTHER CONTROL JOINTS AND EXPANSION JOINTS ARE PERPENDICULAR AND PARALLEL TO BUILDING FACADE UNLESS OTHERWISE NOTED.
 - CONTROL JOINTS ARE INTENDED TO ALIGN WITH ENDS OF PLANTERS AND TREE GRATES. AT ANGLED PLANTER EDGES, CONTINUE 70° ANGLE AT CONTROL JOINT. FOR SCORING ENLARGEMENT DETAIL, SEE SHEET 247.
 - ALL EXPOSED VERTICAL CONCRETE SURFACES TO BE CHAMFERED 1/2", 45° UNLESS OTHERWISE NOTED.
 - FOR JOINTING DETAILS AT DRIVEWAY, SEE CIVIL DETAILS.
 - EXPANSION JOINTS SHALL ALIGN WITH PLANTER EDGES WHERE APPROPRIATE. FOR FURTHER CLARIFICATION, SEE PAVING DETAILS, SHEET 247.
 - CONTROL JOINTS ARE TO BE TOOLED WITH A LIGHT BROOM FINISH.

- FURNISHING NOTES:**
- CONFIRM ALL FURNISHING QUANTITIES AND DIMENSIONS.
 - FOR FURNISHING DETAILS, SEE SHEETS 246.
 - PROVIDE STAINLESS STEEL TAMPER PROOF FASTENERS.
 - FOR TREE WELL DETAILS, SEE SHEET 243.



2 LANDSCAPE PLAN 4
1" = 20'-0"

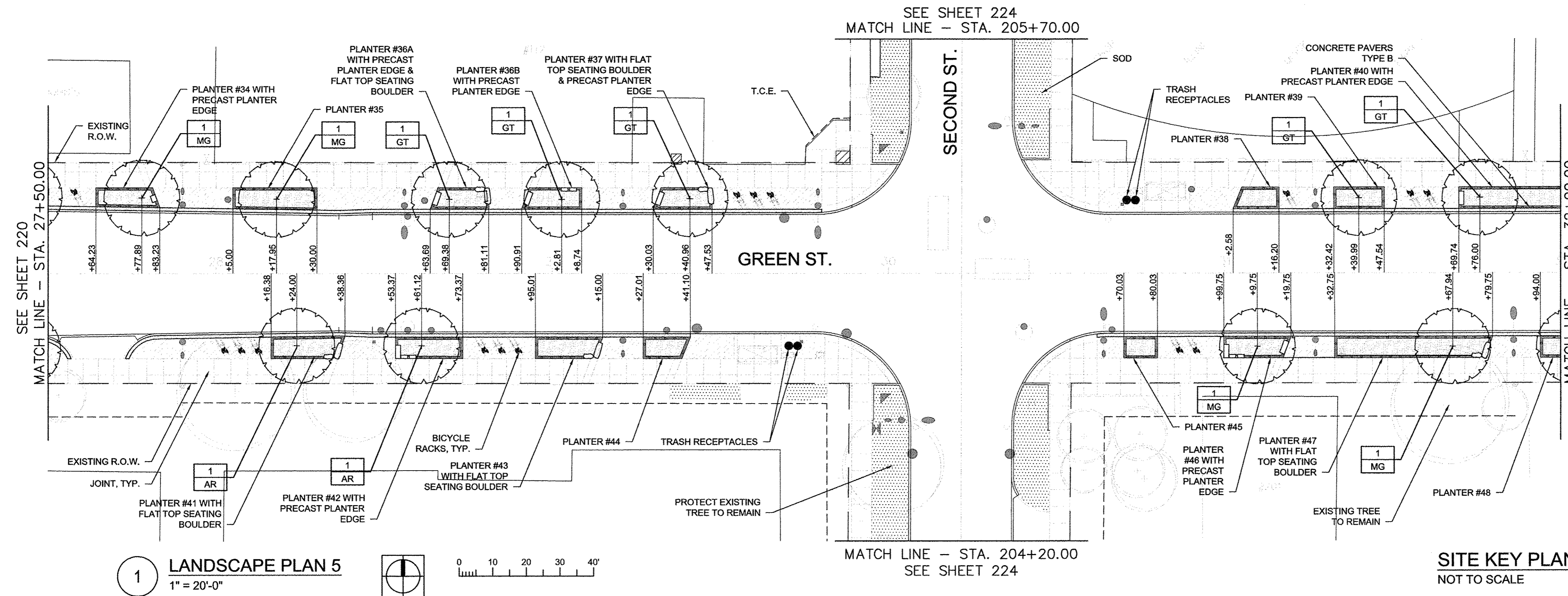


PLANT SCHEDULE - SHEET TOTAL

TREES	CODE	QUANTITY	PAY ITEM	BOTANICAL NAME	COMMON NAME	SIZE	ROOT	REMARK
AR	4	XX006570	Acer rubrum 'Armstrong'	Armstrong Gold Maple	2.5" Cal	B&B	matching heads	
GT	5	A2004617	Gleditsia triacanthos var. inermis 'Street Keeper'	Street Keeper Honeylocust	2.5" Cal	B&B	matching heads	
MG	5	XX006570	Metasequoia glyptostroboides 'Gold Rush'	Gold Rush Dawn Redwood	2.5" Cal	B&B	matching heads	

LEGEND

	EXISTING TREE TO REMAIN		SOD
	PROPOSED SHADE TREE		CONCRETE PAVERS TYPE A
	PLANTER CURB AND PLANTER RAILING		CONCRETE PAVERS TYPE B
	FLAT TOP SEATING BOULDER		BICYCLE RACKS
	PRECAST PLANTER EDGE (TYPE AS SHOWN)		TREE GRATE ASSEMBLY
	TREE QUANTITY		PLANTINGS
	TREE CODE		TRASH RECEPTACLES
	LANDSCAPE BOLLARD		BOLLARD
	STATION POINT		TREE WELL
	JOINT		



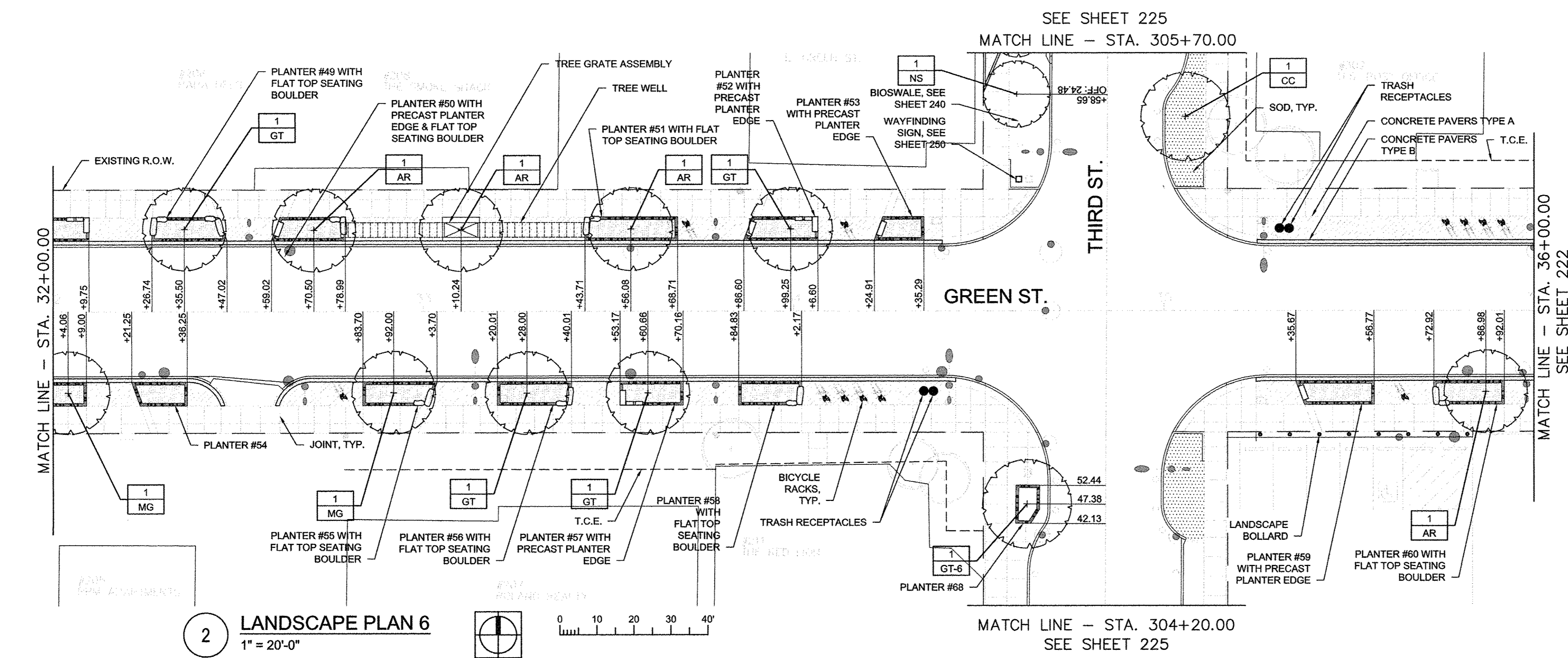
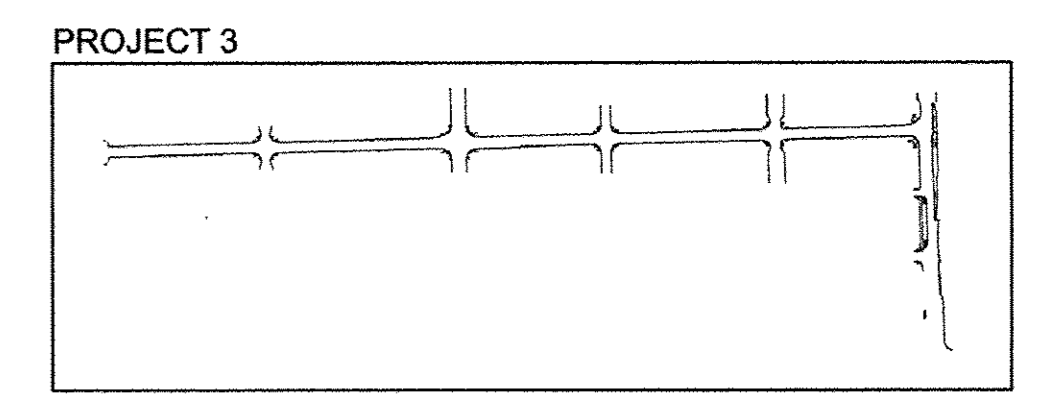
1 LANDSCAPE PLAN 5
1" = 20'-0"

SITE KEY PLAN
NOT TO SCALE

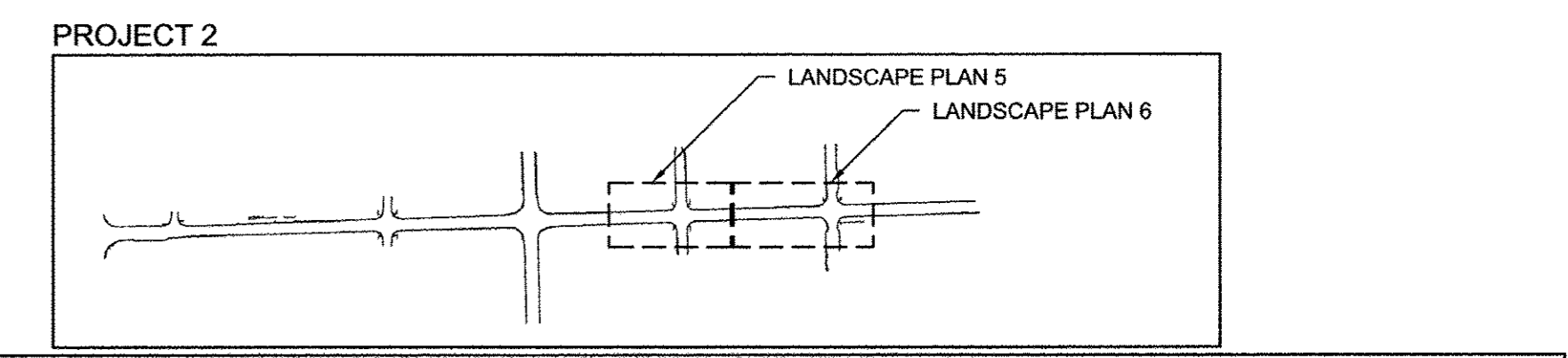
- GENERAL NOTES:**
- SEE SHEETS 233 - 238 FOR PLANTER ENLARGEMENTS.
 - SEE SHEET 239 FOR TERRACE PLANTING BED ENLARGEMENT PLANS.
 - REFER TO 10 SCALE PLANS FOR PRECAST PLANTER EDGE TYPE.
 - COMPLY WITH ALL APPLICABLE FEDERAL, STATE AND LOCAL CODES AND ORDINANCES FOR ALL WORK AND OPERATIONS.
 - KEEP ALL AREAS CLEAN, NEAT AND ORDERLY AT ALL TIMES, CLEAR OF RUBBISH AND DEBRIS. LEGALLY DISPOSE OF ALL MATERIALS REMOVED FROM THE SITE.
 - PROTECT STRUCTURES, UTILITIES, SIDEWALKS, PAVEMENTS, FENCING, FURNISHINGS AND PLANTINGS, TREES AND LAWNS FROM DAMAGE CAUSED BY SETTLEMENT, LATERAL MOVEMENT, UNDERMINING, WASHOUTS, AND OTHER HAZARDS CREATED BY SITE IMPROVEMENTS. IF ANY DAMAGE OCCURS, REPAIR TO ORIGINAL CONDITION AT NO ADDITIONAL COST.
 - PROTECT AND/OR RESTORE EXISTING LAWN TO EXCELLENT CONDITION WITH TOPSOIL AND SOD.
 - VERIFY DIMENSIONS IN FIELD.
 - COORDINATE WORK WITH ALL OTHER TRADES.

- PAVING NOTES:**
- INSTALL ALL PAVING TO BE SMOOTH AND CONTINUOUS WITHOUT KINKS OR ABRUPT CHANGES. STAKE LAYOUT AND FRAMEWORK AND ACQUIRE APPROVAL OF ENGINEER PRIOR TO CONCRETE POUR AND OTHER CONSTRUCTION ACTIVITIES.
 - MATCH LINE AND GRADE OF PAVEMENT, LAWN AND PLANTING AREAS TO EXISTING ADJACENT AREAS.
 - GRADE ALL PAVED SURFACES TO A MAXIMUM 5% SLOPE WITH A MAXIMUM CROSS SLOPE OF 2% AND A MINIMUM SLOPE OF 0.5%. SLOPE ALL PAVEMENT TO DRAIN AWAY FROM BUILDING.
 - ADJUST UTILITY STRUCTURES TO MEET FINISH GRADE.
 - LAYOUT CONTROL JOINTS AT A MAX 6' O.C. AND EXPANSION JOINTS AT A MAX 30' O.C. UNLESS OTHERWISE NOTED. IF PAVEMENT IS ARCED, LAYOUT CONTROL JOINTS EQUALLY ALONG LENGTH OF ARC AND PERPENDICULAR TO CENTERLINE OF ARC UNLESS OTHERWISE NOTED.
 - FOR PAVING DETAILS, SEE SHEET 247.
 - ALL OTHER CONTROL JOINTS AND EXPANSION JOINTS ARE PERPENDICULAR AND PARALLEL TO BUILDING FACADE UNLESS OTHERWISE NOTED.
 - CONTROL JOINTS ARE INTENDED TO ALIGN WITH ENDS OF PLANTERS AND TREE GRATES. AT ANGLED PLANTER EDGES, CONTINUE 70° ANGLE AT CONTROL JOINT. FOR SCORING ENLARGEMENT DETAIL SEE SHEET 247.
 - ALL EXPOSED VERTICAL CONCRETE SURFACES TO BE CHAMFERED 1/2", 45° UNLESS OTHERWISE NOTED.
 - FOR JOINTING DETAILS AT DRIVEWAY, SEE CIVIL DETAILS.
 - EXPANSION JOINTS SHALL ALIGN WITH PLANTER EDGES WHERE APPROPRIATE. FOR FURTHER CLARIFICATION, SEE PAVING DETAILS, SHEET 247.
 - CONTROL JOINTS ARE TO BE TOOLED WITH A LIGHT BROOM FINISH.

- FURNISHING NOTES:**
- CONFIRM ALL FURNISHING QUANTITIES AND DIMENSIONS.
 - FOR FURNISHING DETAILS, SEE SHEETS 246.
 - PROVIDE STAINLESS STEEL TAMPER PROOF FASTENERS.
 - FOR TREE WELL DETAILS, SEE SHEET 243.

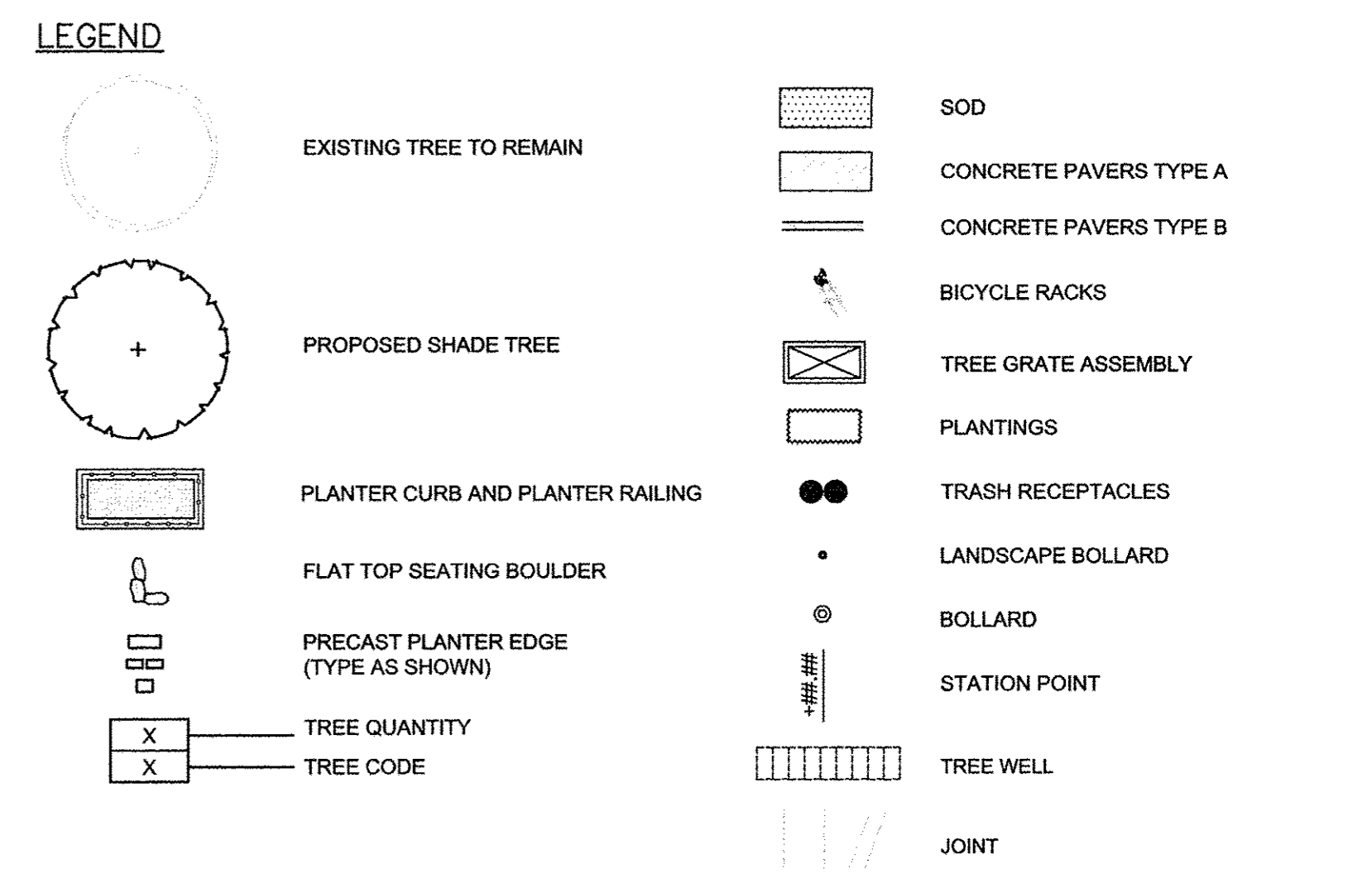


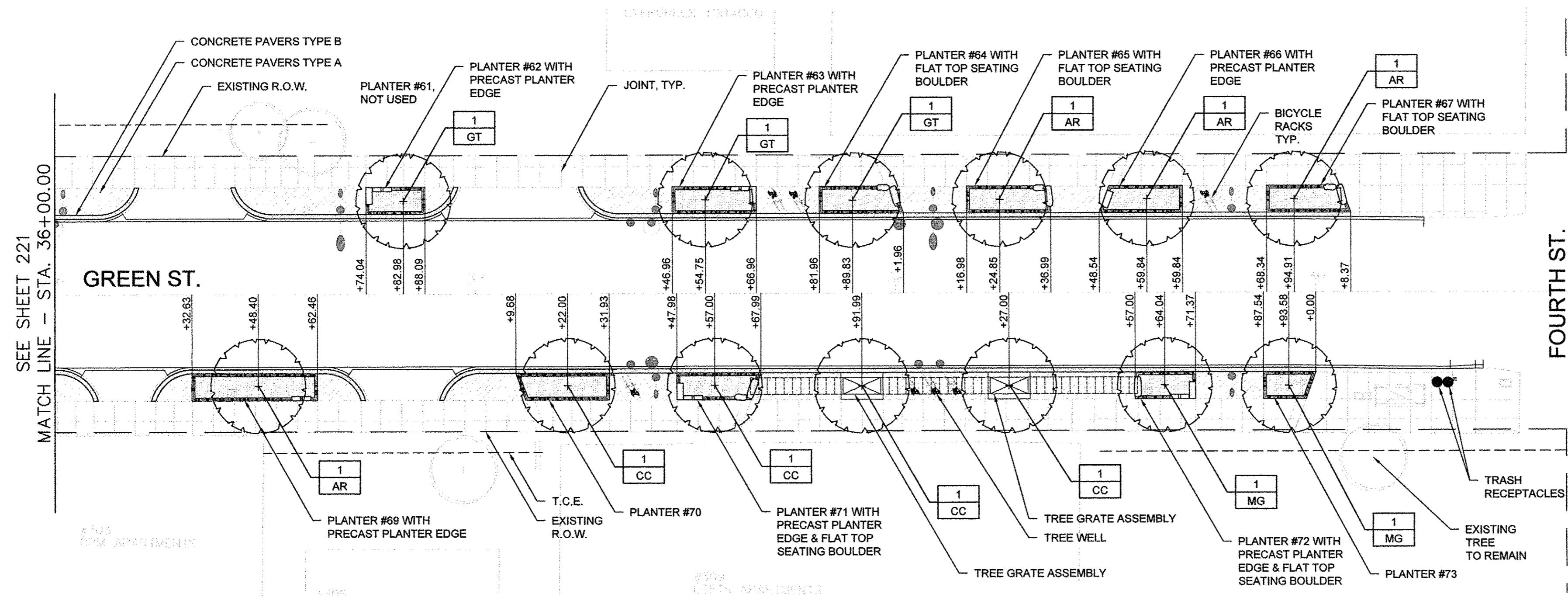
2 LANDSCAPE PLAN 6
1" = 20'-0"



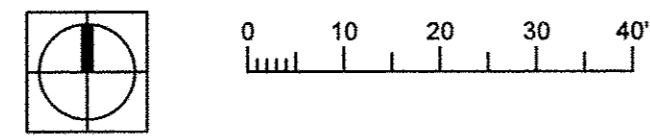
PLANT SCHEDULE - SHEET TOTAL

TREES	CODE	QUANTITY	PAY ITEM	BOTANICAL NAME	COMMON NAME	SIZE	ROOT	REMARK
	AR	6	XX006570	Acer rubrum 'Armstrong'	Armstrong Gold Maple	2.5" Cal	B&B	matching heads
	GT - 6	1	XX006570	Gleditsia triacanthos var. inermis 'Street Keeper'	Street Keeper Honeylocust	6" Cal	B&B	matching heads
	GT	9	A2004617	Gleditsia triacanthos var. inermis 'Street Keeper'	Street Keeper Honeylocust	2.5" Cal	B&B	matching heads
	MG	6	XX006570	Metasequoia glyptostroboides 'Gold Rush'	Gold Rush Dawn Redwood	2.5" Cal	B&B	matching heads
	NS	1	XX006570	Nyssa sylvatica 'JFS-red'	Firestarter Tupelo	2.5" Cal	B&B	matching heads
	CC	1	A2002520	Carpinus caroliniana	American Hombbeam	2.5" Cal	B&B	matching heads





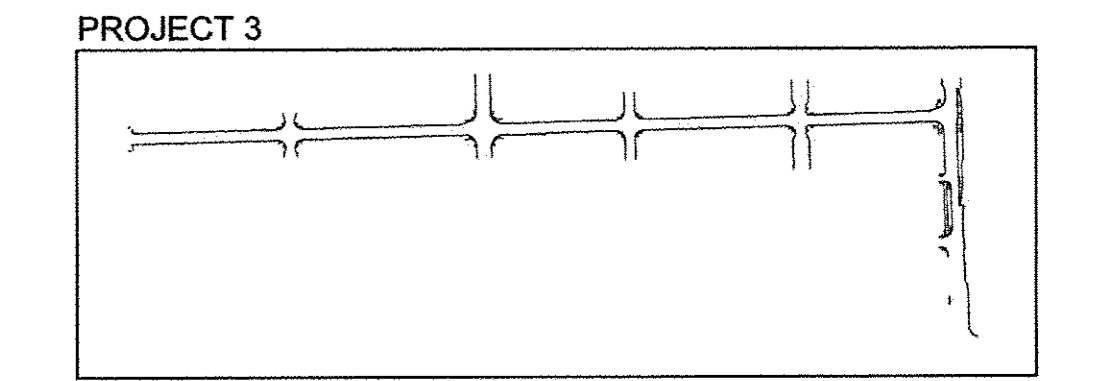
1 LANDSCAPE PLAN 7
1" = 20'-0"



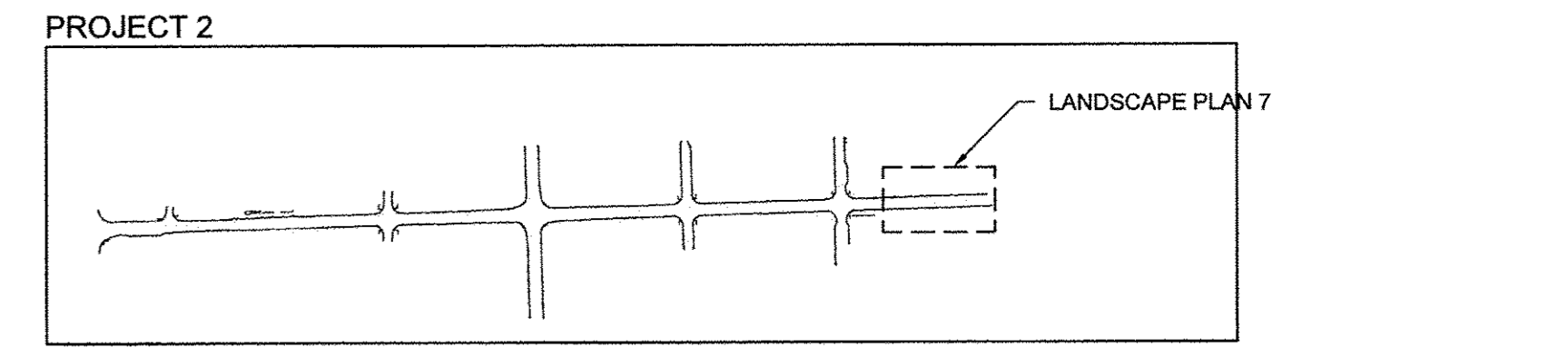
- GENERAL NOTES:**
- SEE SHEETS 233 - 238 FOR PLANTER ENLARGEMENTS.
 - SEE SHEET 239 FOR TERRACE PLANTING BED ENLARGEMENT PLANS.
 - REFER TO 10 SCALE PLANS FOR PRECAST PLANTER EDGE TYPE.
 - COMPLY WITH ALL APPLICABLE FEDERAL, STATE AND LOCAL CODES AND ORDINANCES FOR ALL WORK AND OPERATIONS.
 - KEEP ALL AREAS CLEAN, NEAT AND ORDERLY AT ALL TIMES. CLEAR OF RUBBISH AND DEBRIS. LEGALLY DISPOSE OF ALL MATERIALS REMOVED FROM THE SITE.
 - PROTECT STRUCTURES, UTILITIES, SIDEWALKS, PAVEMENTS, FENCING, FURNISHINGS AND PLANTINGS. TREES AND LAWNS FROM DAMAGE CAUSED BY SETTLEMENT, LATERAL MOVEMENT, UNDERMINING, WASHOUTS, AND OTHER HAZARDS CREATED BY SITE IMPROVEMENTS. IF ANY DAMAGE OCCURS, REPAIR TO ORIGINAL CONDITION AT NO ADDITIONAL COST.
 - PROTECT AND/OR RESTORE EXISTING LAWN TO EXCELLENT CONDITION WITH TOPSOIL AND SOD.
 - VERIFY DIMENSIONS IN FIELD.
 - COORDINATE WORK WITH ALL OTHER TRADES.

- PAVING NOTES:**
- INSTALL ALL PAVING TO BE SMOOTH AND CONTINUOUS WITHOUT KINKS OR ABRUPT CHANGES. STAKE LAYOUT AND FRAMEWORK AND ACQUIRE APPROVAL OF ENGINEER PRIOR TO CONCRETE POUR AND OTHER CONSTRUCTION ACTIVITIES.
 - MATCH LINE AND GRADE OF PAVEMENT, LAWN AND PLANTING AREAS TO EXISTING ADJACENT AREAS.
 - GRADE ALL PAVED SURFACES TO A MAXIMUM 5% SLOPE WITH A MAXIMUM CROSS SLOPE OF 2% AND A MINIMUM SLOPE OF 0.5%. SLOPE ALL PAVEMENT TO DRAIN AWAY FROM BUILDING.
 - ADJUST UTILITY STRUCTURES TO MEET FINISH GRADE.
 - LAYOUT CONTROL JOINTS AT A MAX 6' O.C. AND EXPANSION JOINTS AT A MAX 30' O.C. UNLESS OTHERWISE NOTED. IF PAVEMENT IS ARCED, LAYOUT CONTROL JOINTS EQUALLY ALONG LENGTH OF ARC AND PERPENDICULAR TO CENTERLINE OF ARC UNLESS OTHERWISE NOTED.
 - FOR PAVING DETAILS, SEE SHEET 247.
 - ALL OTHER CONTROL JOINTS AND EXPANSION JOINTS ARE PERPENDICULAR AND PARALLEL TO BUILDING FACADE UNLESS OTHERWISE NOTED.
 - CONTROL JOINTS ARE INTENDED TO ALIGN WITH ENDS OF PLANTERS AND TREE GRATES. AT ANGLED PLANTER EDGES, CONTINUE 70° ANGLE AT CONTROL JOINT. FOR SCORING ENLARGEMENT DETAIL SEE SHEET 247.
 - ALL EXPOSED VERTICAL CONCRETE SURFACES TO BE CHAMFERED 1/2", 45° UNLESS OTHERWISE NOTED.
 - FOR JOINTING DETAILS AT DRIVEWAY, SEE CIVIL DETAILS.
 - EXPANSION JOINTS SHALL ALIGN WITH PLANTER EDGES WHERE APPROPRIATE. FOR FURTHER CLARIFICATION, SEE PAVING DETAILS, SHEET 247.
 - CONTROL JOINTS ARE TO BE TOOLED WITH A LIGHT BROOM FINISH.

- FURNISHING NOTES:**
- CONFIRM ALL FURNISHING QUANTITIES AND DIMENSIONS.
 - FOR FURNISHING DETAILS, SEE SHEETS 248.
 - PROVIDE STAINLESS STEEL TAMPER PROOF FASTENERS.
 - FOR TREE WELL DETAILS, SEE SHEET 243.

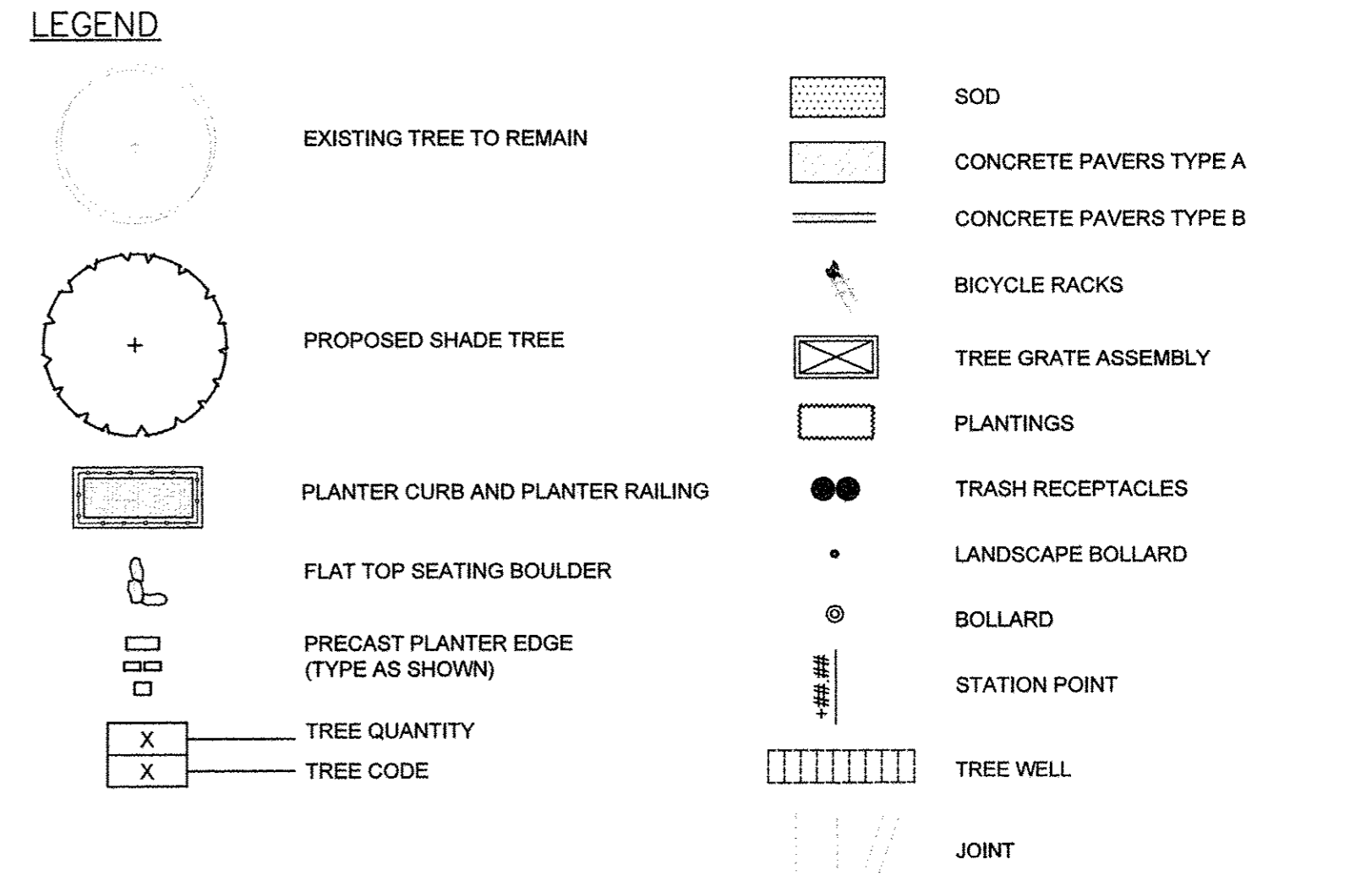


SITE KEY PLAN
NOT TO SCALE



PLANT SCHEDULE - SHEET TOTAL

TREES	CODE	QUANTITY	PAY ITEM	BOTANICAL NAME	COMMON NAME	SIZE	ROOT	REMARK
	AR	4	XX006570	Acer rubrum 'Armstrong'	Armstrong Gold Maple	2.5" Cal	B&B	matching heads
	CC	4	A2002520	Carpinus caroliniana	American Hornbeam	2.5" Cal	B&B	matching heads
	GT	3	A2004617	Gleditsia triacanthos var. inermis 'Street Keeper'	Street Keeper Honeylocust	2.5" Cal	B&B	matching heads
	MG	2	XX006570	Metasequoia glyptostroboides 'Gold Rush'	Gold Rush Dawn Redwood	2.5" Cal	B&B	matching heads



GENERAL NOTES:

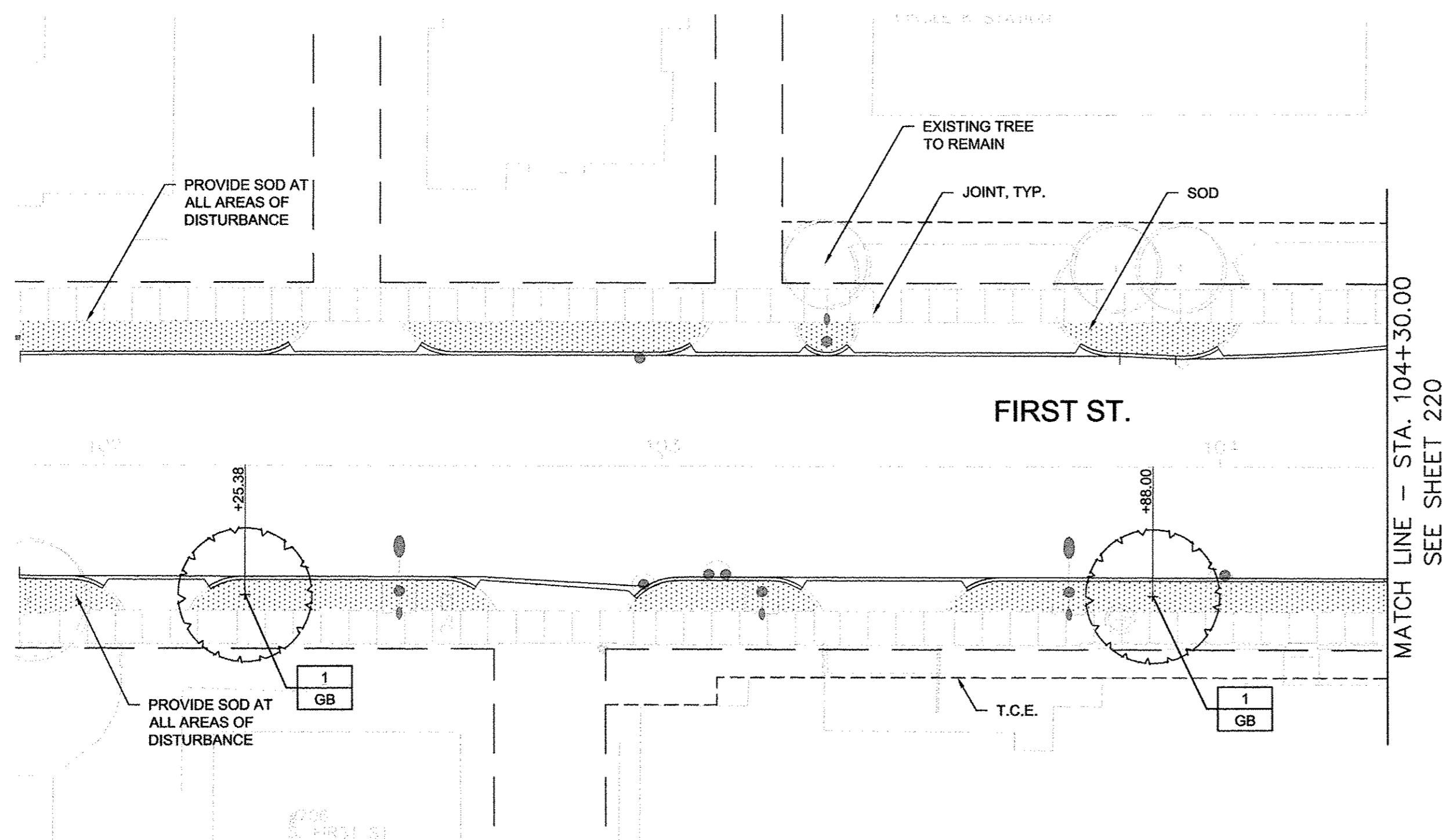
- SEE SHEETS 233 - 238 FOR PLANTER ENLARGEMENTS.
- SEE SHEET 239 FOR TERRACE PLANTING BED ENLARGEMENT PLANS.
- REFER TO 10 SCALE PLANS FOR PRECAST PLANTER EDGE TYPE.
- COMPLY WITH ALL APPLICABLE FEDERAL, STATE AND LOCAL CODES AND ORDINANCES FOR ALL WORK AND OPERATIONS.
- KEEP ALL AREAS CLEAN, NEAT AND ORDERLY AT ALL TIMES, CLEAR OF RUBBISH AND DEBRIS. LEGALLY DISPOSE OF ALL MATERIALS REMOVED FROM THE SITE.
- PROTECT STRUCTURES, UTILITIES, SIDEWALKS, PAVEMENTS, FENCING, FURNISHINGS AND PLANTINGS FROM DAMAGE CAUSED BY SETTLEMENT, LATERAL MOVEMENT, UNDERMINING, WASHOUTS, AND OTHER HAZARDS CREATED BY SITE IMPROVEMENTS. IF ANY DAMAGE OCCURS, REPAIR TO ORIGINAL CONDITION AT NO ADDITIONAL COST.
- PROTECT AND/OR RESTORE EXISTING LAWN TO EXCELLENT CONDITION WITH TOPSOIL AND SOD.
- VERIFY DIMENSIONS IN FIELD.
- COORDINATE WORK WITH ALL OTHER TRADES.

PAVING NOTES:

- INSTALL ALL PAVING TO BE SMOOTH AND CONTINUOUS WITHOUT KINKS OR ABRUPT CHANGES. STAKE LAYOUT AND FRAMEWORK AND ACQUIRE APPROVAL OF ENGINEER PRIOR TO CONCRETE POUR AND OTHER CONSTRUCTION ACTIVITIES.
- MATCH LINE AND GRADE OF PAVEMENT, LAWN AND PLANTING AREAS TO EXISTING ADJACENT AREAS.
- GRADE ALL PAVED SURFACES TO A MAXIMUM 5% SLOPE WITH A MAXIMUM CROSS SLOPE OF 2% AND A MINIMUM SLOPE OF 0.5%. SLOPE ALL PAVEMENT TO DRAIN AWAY FROM BUILDINGS.
- ADJUST UTILITY STRUCTURES TO MEET FINISH GRADE.
- LAYOUT CONTROL JOINTS AT A MAX 6' O.C. AND EXPANSION JOINTS AT A MAX 30' O.C. UNLESS OTHERWISE NOTED. IF PAVEMENT IS ARCED, LAYOUT CONTROL JOINTS EQUALLY ALONG LENGTH OF ARC AND PERPENDICULAR TO CENTERLINE OF ARC UNLESS OTHERWISE NOTED.
- FOR PAVING DETAILS, SEE SHEET 247.
- ALL OTHER CONTROL JOINTS AND EXPANSION JOINTS ARE PERPENDICULAR AND PARALLEL TO BUILDING FACADE UNLESS OTHERWISE NOTED.
- CONTROL JOINTS ARE INTENDED TO ALIGN WITH ENDS OF PLANTERS AND TREE GRATES. AT ANGLED PLANTER EDGES, CONTINUE 70° ANGLE AT CONTROL JOINT. FOR SCORING ENLARGEMENT DETAIL SEE SHEET 247.
- ALL EXPOSED VERTICAL CONCRETE SURFACES TO BE CHAMFERED 1/2", 45° UNLESS OTHERWISE NOTED.
- FOR JOINTING DETAILS AT DRIVEWAY, SEE CIVIL DETAILS.
- EXPANSION JOINTS SHALL ALIGN WITH PLANTER EDGES WHERE APPROPRIATE. FOR FURTHER CLARIFICATION, SEE PAVING DETAILS, SHEET 247.
- CONTROL JOINTS ARE TO BE TOOLED WITH A LIGHT BROOM FINISH.

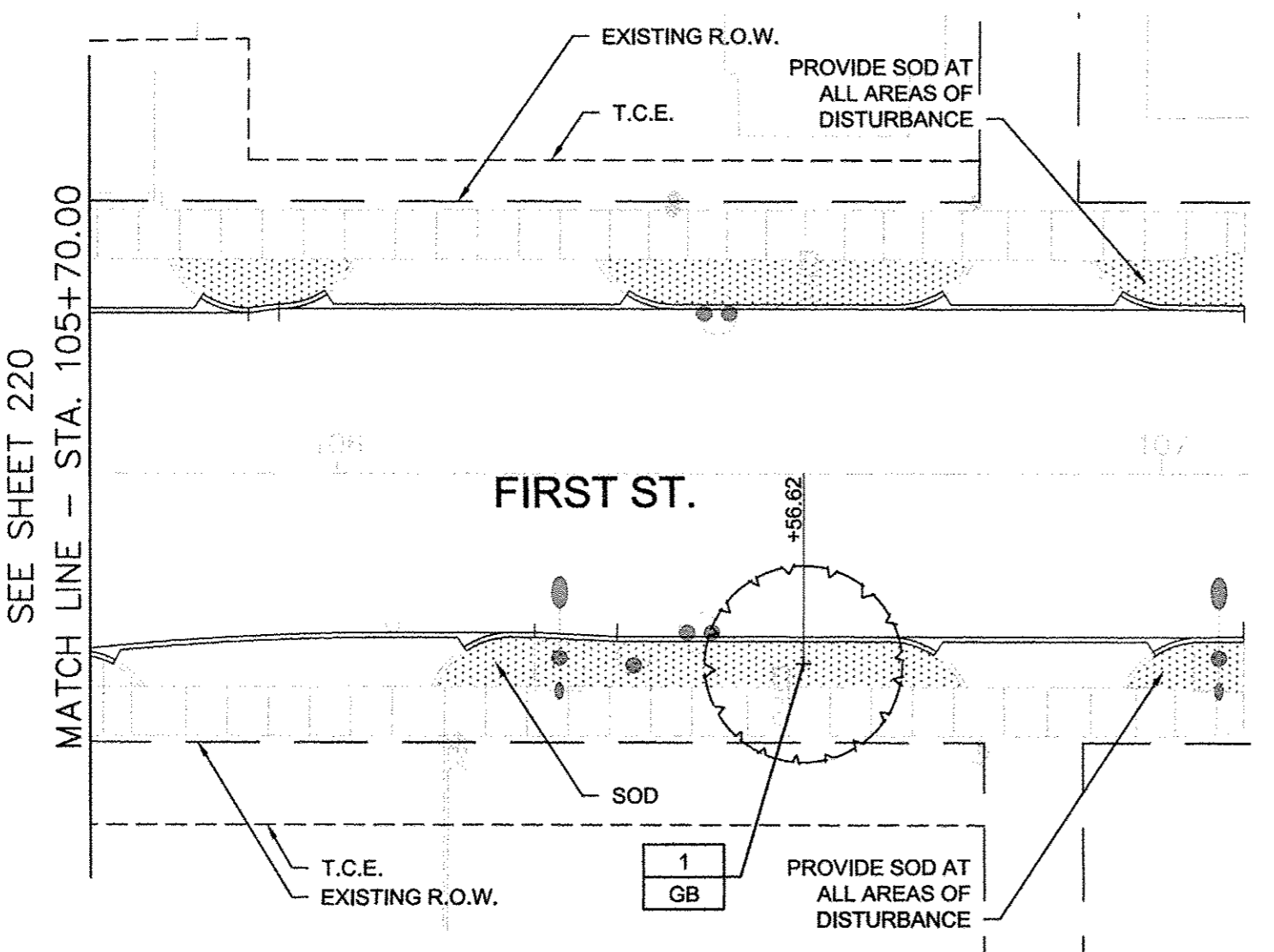
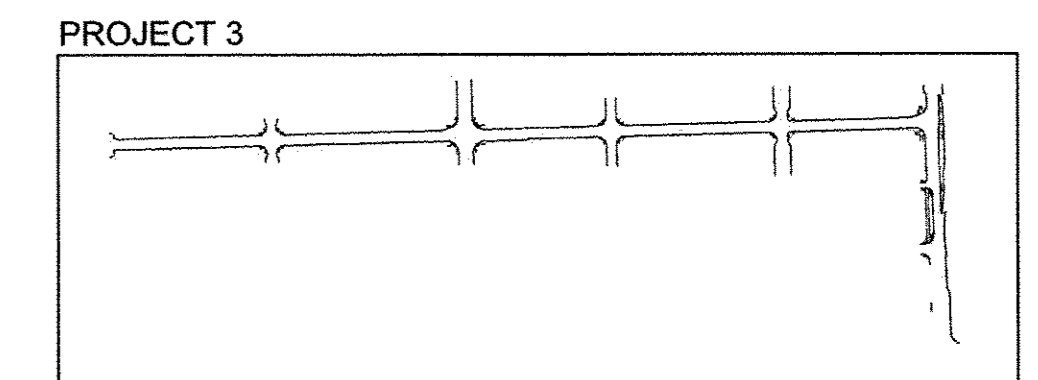
FURNISHING NOTES:

- CONFIRM ALL FURNISHING QUANTITIES AND DIMENSIONS.
- FOR FURNISHING DETAILS, SEE SHEETS 246.
- PROVIDE STAINLESS STEEL TAMPER PROOF FASTENERS.
- FOR TREE WELL DETAILS, SEE SHEET 243.

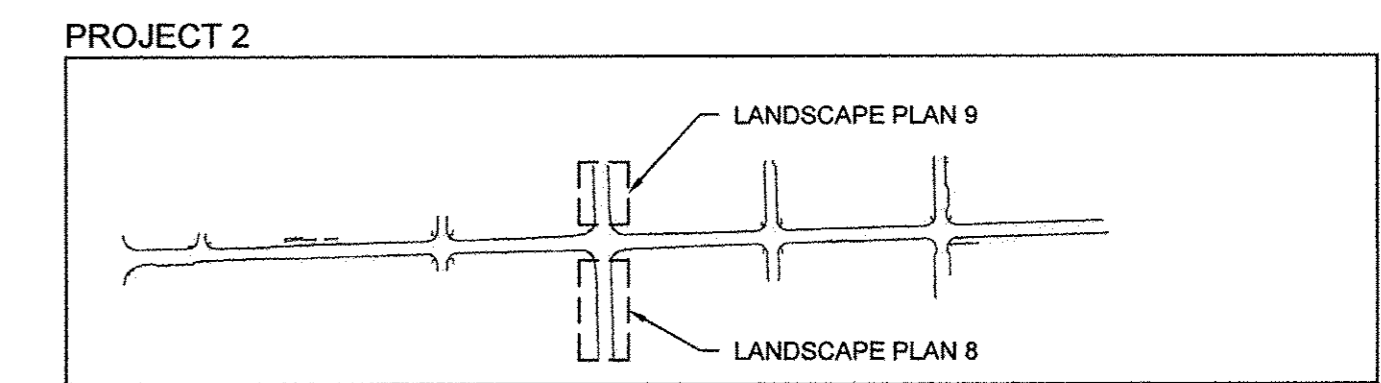


1 LANDSCAPE PLAN 8
1" = 20'-0"

SITE KEY PLAN
NOT TO SCALE



2 LANDSCAPE PLAN 9
1" = 20'-0"



PLANT SCHEDULE - SHEET TOTAL						
TREES CODE	QUANTITY	BOTANICAL NAME	COMMON NAME	SIZE	ROOT	REMARK
GB	3	Ginkgo biloba 'Magyar'	Magyar Ginkgo	2.5" Cal	B&B	matching heads

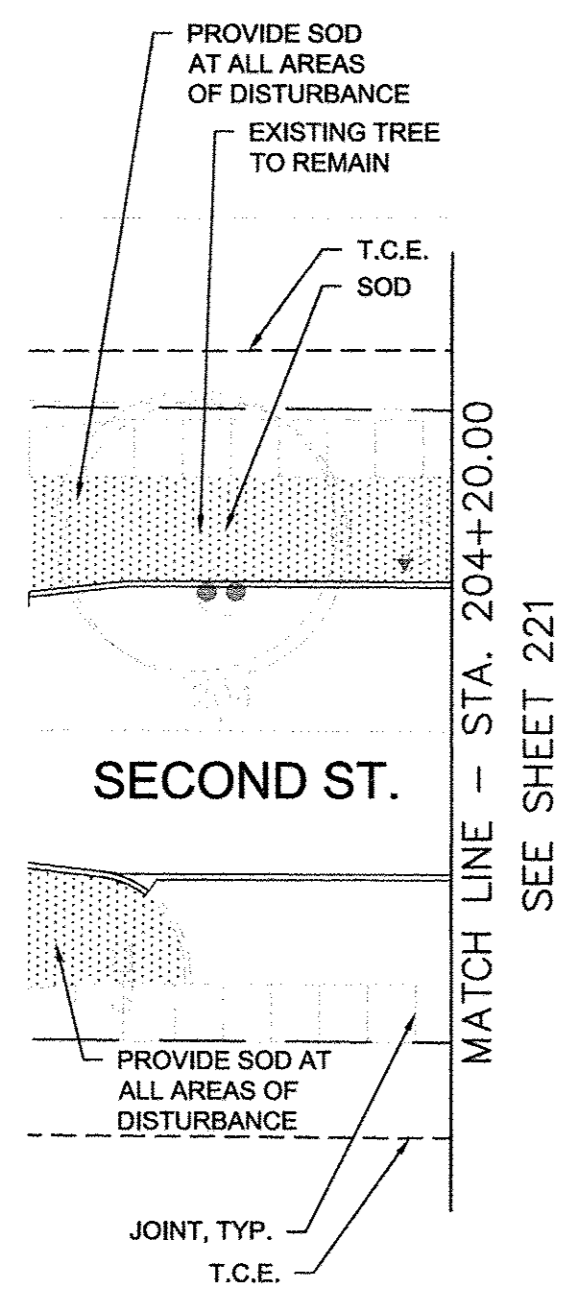
LEGEND

	EXISTING TREE TO REMAIN		SOD
	PROPOSED SHADE TREE		CONCRETE PAVERS TYPE A
	PROPOSED SHADE TREE		CONCRETE PAVERS TYPE B
	PROPOSED SHADE TREE		BICYCLE RACKS
	PLANTER CURB AND PLANTER RAILING		TREE GRATE ASSEMBLY
	PROPOSED SHADE TREE		PLANTINGS
	PROPOSED SHADE TREE		TRASH RECEPTACLES
	PROPOSED SHADE TREE		LANDSCAPE BOLLARD
	PROPOSED SHADE TREE		BOLLARD
	PROPOSED SHADE TREE		STATION POINT
	PROPOSED SHADE TREE		TREE WELL
	PROPOSED SHADE TREE		JOINT

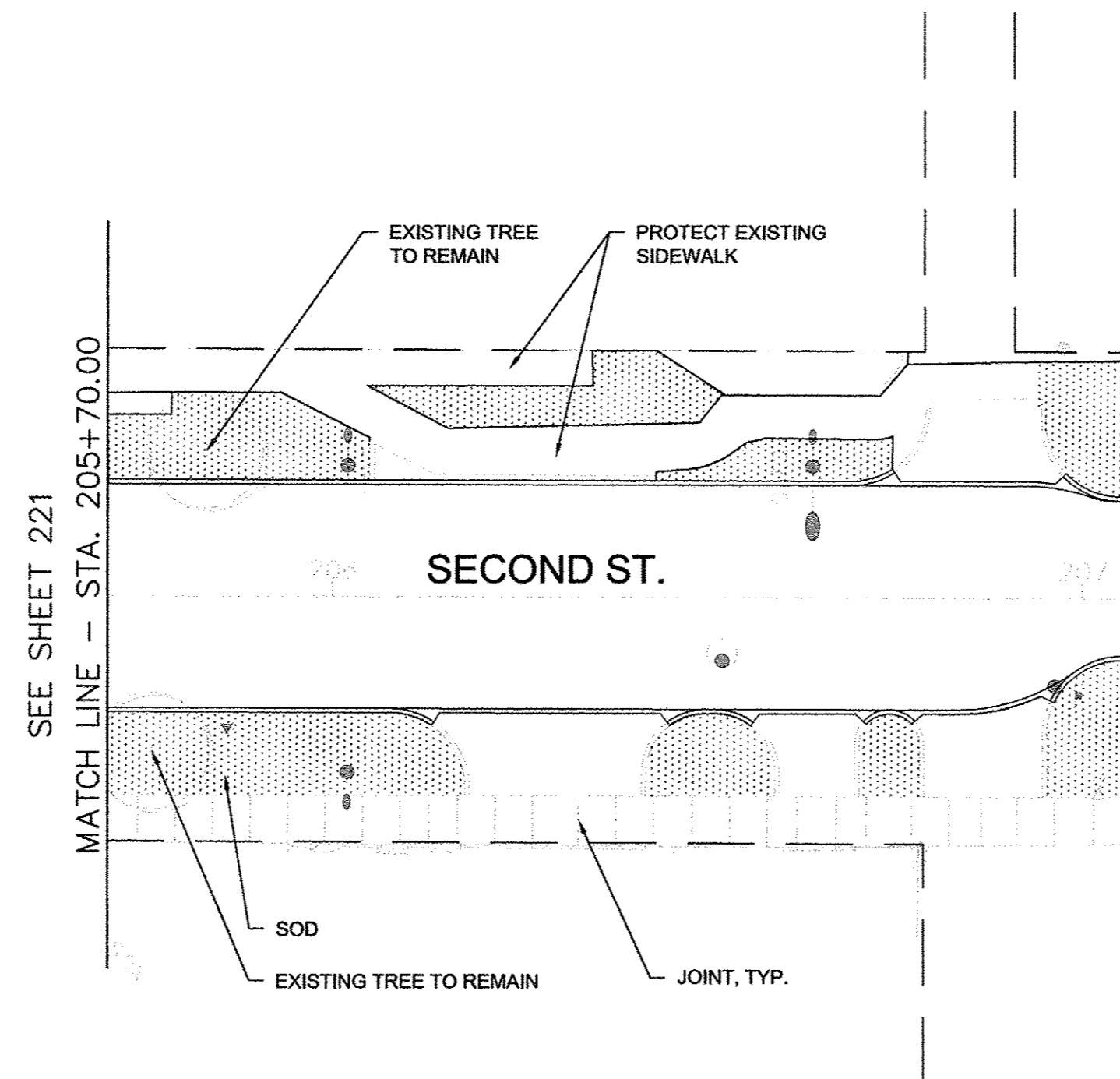
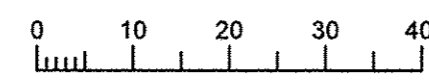
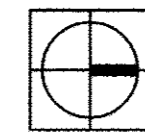
Clark Dietz
ENGINEERS

site design group ltd

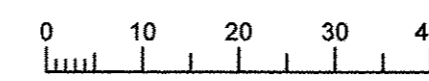
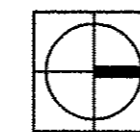
FILE NAME = 7186_Land.dwg	DESIGNED - BK	REVISED -	STATE OF ILLINOIS DEPARTMENT OF TRANSPORTATION	LANDSCAPE PLANS LANDSCAPE PLAN 8, 9		F.A.U. RTE.	SECTION	COUNTY	TOTAL SHEETS	SHEET NO.	
PLOT DATE = 2016-03-15 9:03 AM	DRAWN - DZ/JT/JR	REVISED -		SCALE : 1"=20'	SHEET NO. 223 OF 412 SHEETS	STA. 101+85.07 TO STA. 107+10.30	7126	15-00304-02-PV	CHAMPAIGN	412	223
	CHECKED - RS, BM	REVISED -					MCORE PROJECT 2		CONTRACT NO. 91540		
	DATE - MARCH 2016	REVISED -					JOB NO. C-95-306-16		ILLINOIS FED. AID PROJECT TIG-5181(058)		



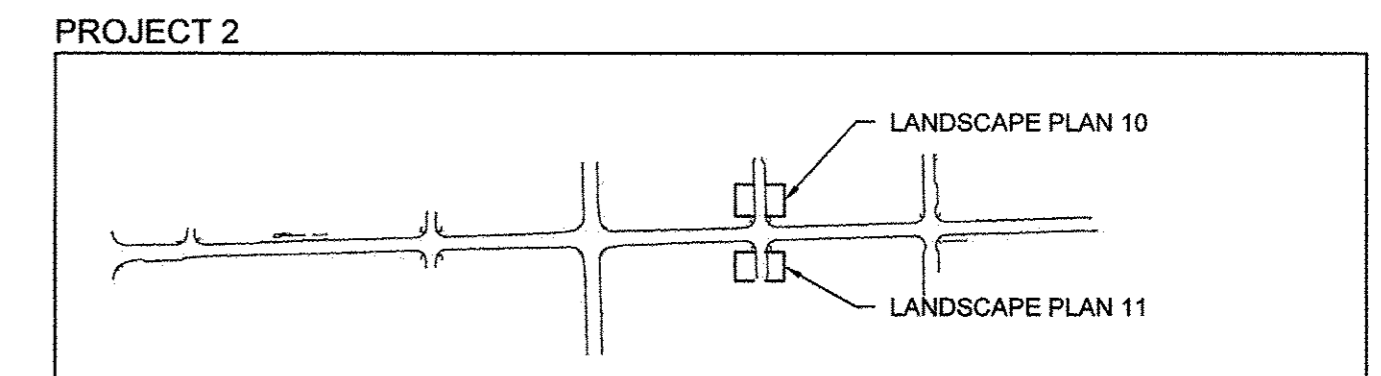
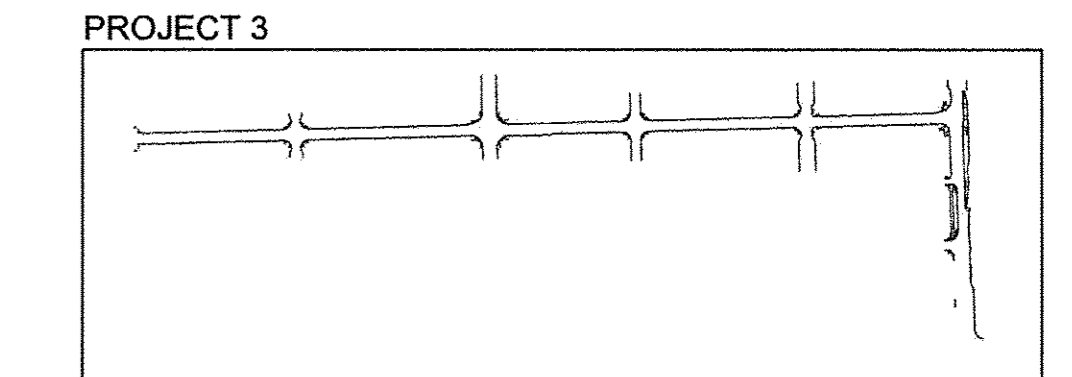
1 LANDSCAPE PLAN 10
1" = 20'-0"



2 LANDSCAPE PLAN 11
1" = 20'-0"



SITE KEY PLAN
NOT TO SCALE



LEGEND

	EXISTING TREE TO REMAIN		SOD
	PROPOSED SHADE TREE		CONCRETE PAVERS TYPE A
	PLANTER CURB AND PLANTER RAILING		CONCRETE PAVERS TYPE B
	FLAT TOP SEATING BOULDER		BICYCLE RACKS
	PRECAST PLANTER EDGE (TYPE AS SHOWN)		TREE GRATE ASSEMBLY
	TREE QUANTITY		PLANTINGS
	TREE CODE		TRASH RECEPTACLES
			LANDSCAPE BOLLARD
			BOLLARD
			STATION POINT
			TREE WELL
			JOINT

GENERAL NOTES:

- SEE SHEETS 233 - 238 FOR PLANTER ENLARGEMENTS.
- SEE SHEET 239 FOR TERRACE PLANTING BED ENLARGEMENT PLANS.
- REFER TO 10 SCALE PLANS FOR PRECAST PLANTER EDGE TYPE.
- COMPLY WITH ALL APPLICABLE FEDERAL, STATE AND LOCAL CODES AND ORDINANCES FOR ALL WORK AND OPERATIONS.
- KEEP ALL AREAS CLEAN, NEAT AND ORDERLY AT ALL TIMES, CLEAR OF RUBBISH AND DEBRIS. LEGALLY DISPOSE OF ALL MATERIALS REMOVED FROM THE SITE.
- PROTECT STRUCTURES, UTILITIES, SIDEWALKS, PAVEMENTS, FENCING, FURNISHINGS AND PLANTINGS, TREES AND LAWNS FROM DAMAGE CAUSED BY SETTLEMENT, LATERAL MOVEMENT, UNDERMINING, WASHOUTS, AND OTHER HAZARDS CREATED BY SITE IMPROVEMENTS. IF ANY DAMAGE OCCURS, REPAIR TO ORIGINAL CONDITION AT NO ADDITIONAL COST.
- PROTECT AND/OR RESTORE EXISTING LAWN TO EXCELLENT CONDITION WITH TOPSOIL AND SOD.
- VERIFY DIMENSIONS IN FIELD.
- COORDINATE WORK WITH ALL OTHER TRADES.

PAVING NOTES:

- INSTALL ALL PAVING TO BE SMOOTH AND CONTINUOUS WITHOUT KINKS OR ABRUPT CHANGES. STAKE LAYOUT AND FRAMEWORK AND ACQUIRE APPROVAL OF ENGINEER PRIOR TO CONCRETE POUR AND OTHER CONSTRUCTION ACTIVITIES.
- MATCH LINE AND GRADE OF PAVEMENT, LAWN AND PLANTING AREAS TO EXISTING ADJACENT AREAS.
- GRADE ALL PAVED SURFACES TO A MAXIMUM 5% SLOPE WITH A MAXIMUM CROSS SLOPE OF 2% AND A MINIMUM SLOPE OF 0.5%. SLOPE ALL PAVEMENT TO DRAIN AWAY FROM BUILDING.
- ADJUST UTILITY STRUCTURES TO MEET FINISH GRADE.
- LAYOUT CONTROL JOINTS AT A MAX 6' O.C. AND EXPANSION JOINTS AT A MAX 30' O.C. UNLESS OTHERWISE NOTED. IF PAVEMENT IS ARCED, LAYOUT CONTROL JOINTS EQUALLY ALONG LENGTH OF ARC AND PERPENDICULAR TO CENTERLINE OF ARC UNLESS OTHERWISE NOTED.
- FOR PAVING DETAILS, SEE SHEET 247.
- ALL OTHER CONTROL JOINTS AND EXPANSION JOINTS ARE PERPENDICULAR AND PARALLEL TO BUILDING FACADE UNLESS OTHERWISE NOTED.
- CONTROL JOINTS ARE INTENDED TO ALIGN WITH ENDS OF PLANTERS AND TREE GRATES. AT ANGLED PLANTER EDGES, CONTINUE 70° ANGLE AT CONTROL JOINT. FOR SCORING ENLARGEMENT DETAIL SEE SHEET 247.
- ALL EXPOSED VERTICAL CONCRETE SURFACES TO BE CHAMFERED 1/2", 45° UNLESS OTHERWISE NOTED.
- FOR JOINTING DETAILS AT DRIVEWAY, SEE CIVIL DETAILS.
- EXPANSION JOINTS SHALL ALIGN WITH PLANTER EDGES WHERE APPROPRIATE. FOR FURTHER CLARIFICATION, SEE PAVING DETAILS, SHEET 247.
- CONTROL JOINTS ARE TO BE TOOLED WITH A LIGHT BROOM FINISH.

FURNISHING NOTES:

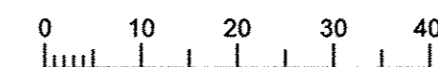
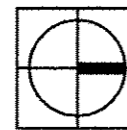
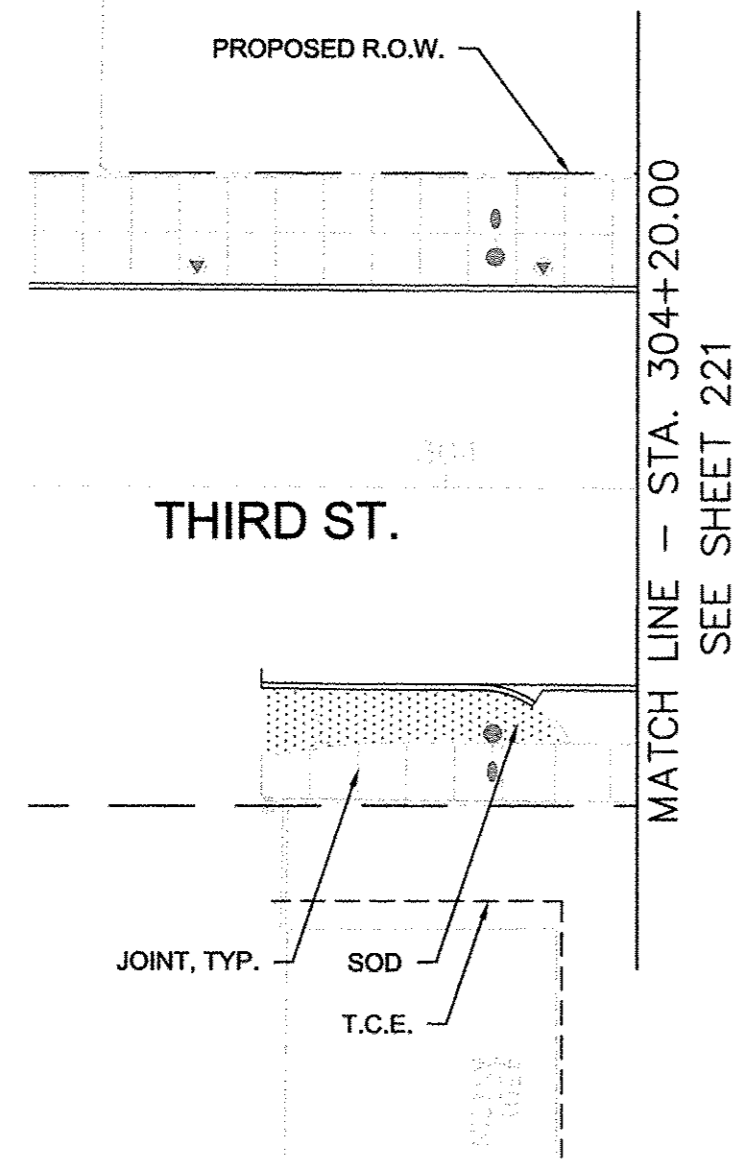
- CONFIRM ALL FURNISHING QUANTITIES AND DIMENSIONS.
- FOR FURNISHING DETAILS, SEE SHEETS 246.
- PROVIDE STAINLESS STEEL TAMPER PROOF FASTENERS.
- FOR TREE WELL DETAILS, SEE SHEET 243.

FILE NAME = 7186_land.dwg	DESIGNED -- BK	REVISED --
PLOT DATE = 2016-03-15 9:03 AM	DRAWN -- DZ/JT/JR	REVISED --
	CHECKED -- RS, BM	REVISED --
	DATE -- MARCH 2016	REVISED --

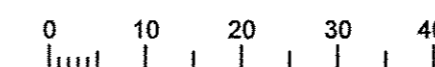
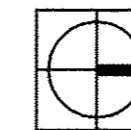
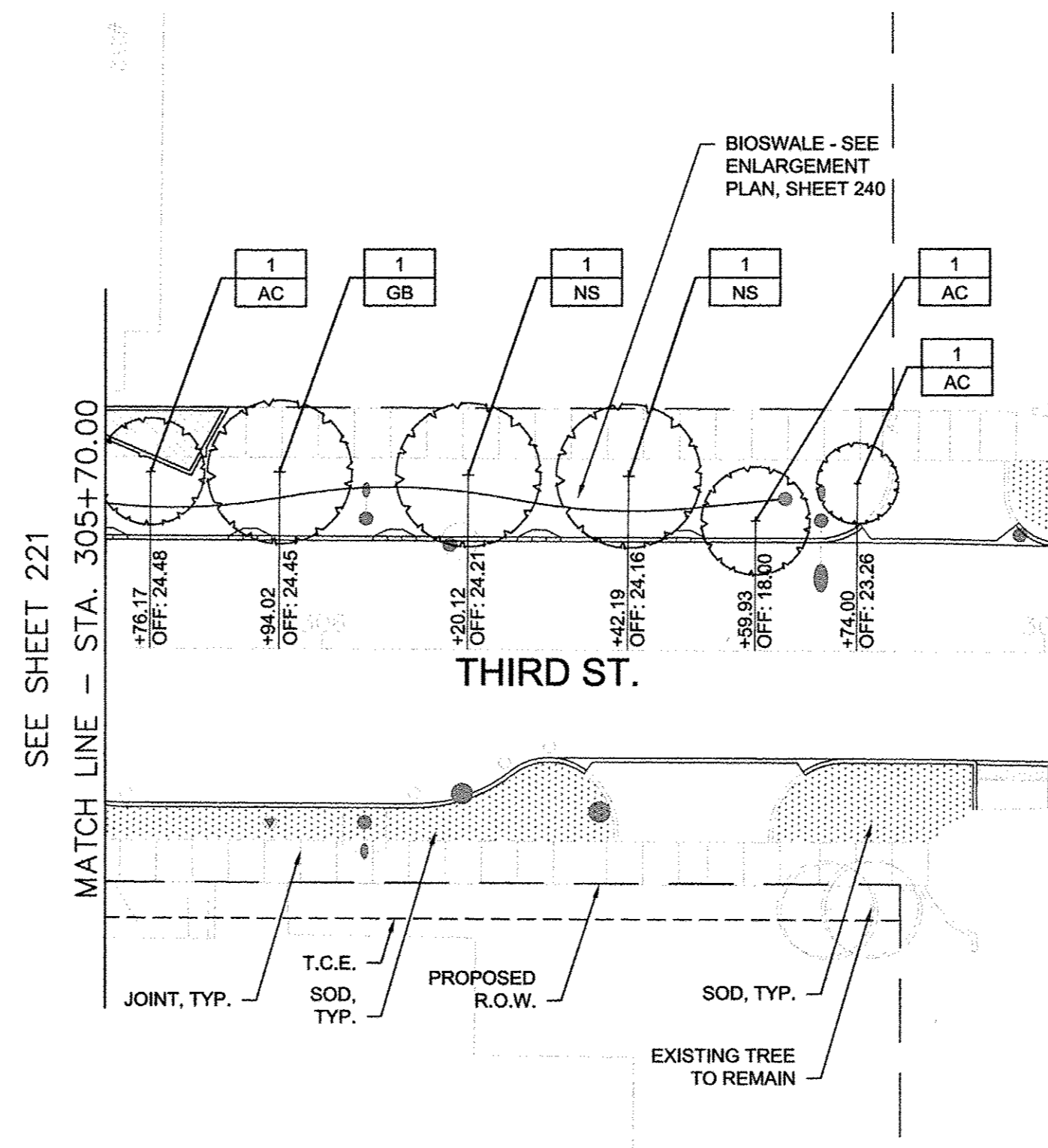
STATE OF ILLINOIS
DEPARTMENT OF TRANSPORTATION

LANDSCAPE PLANS LANDSCAPE PLAN 10, 11		F.A.U. R.T.E. 7126	SECTION 15-00304-02-PV	COUNTY CHAMPAIGN	TOTAL SHEETS 412	SHEET NO. 224
SCALE : 1"=20'		SHEET NO. 224 OF 412 SHEETS		STATION: STA. 203+80.12 TO STA. 207+7.00		CONTRACT NO. 91540
		JOB NO. C-95-306-16		ILLINOIS		FED. AID PROJECT TIG-5181(058)

1 LANDSCAPE PLAN 12
1" = 20'-0"



2 LANDSCAPE PLAN 13
1" = 20'-0"



GENERAL NOTES:

- SEE SHEETS 233 - 238 FOR PLANTER ENLARGEMENTS.
- SEE SHEET 239 FOR TERRACE PLANTING BED ENLARGEMENT PLANS.
- REFER TO 10 SCALE PLANS FOR PRECAST PLANTER EDGE TYPE.
- COMPLY WITH ALL APPLICABLE FEDERAL, STATE AND LOCAL CODES AND ORDINANCES FOR ALL WORK AND OPERATIONS.
- KEEP ALL AREAS CLEAN, NEAT AND ORDERLY AT ALL TIMES, CLEAR OF RUBBISH AND DEBRIS. LEGALLY DISPOSE OF ALL MATERIALS REMOVED FROM THE SITE.
- PROTECT STRUCTURES, UTILITIES, SIDEWALKS, PAVEMENTS, FENCINGS, FURNISHINGS AND PLANTINGS, TREES AND LAWNS FROM DAMAGE CAUSED BY SETTLEMENT, LATERAL MOVEMENT, UNDERMINING, WASHOUTS, AND OTHER HAZARDS CREATED BY SITE IMPROVEMENTS. IF ANY DAMAGE OCCURS, REPAIR TO ORIGINAL CONDITION AT NO ADDITIONAL COST.
- PROTECT AND/OR RESTORE EXISTING LAWN TO EXCELLENT CONDITION WITH TOPSOIL AND SOD.
- VERIFY DIMENSIONS IN FIELD.
- COORDINATE WORK WITH ALL OTHER TRADES.

PAVING NOTES:

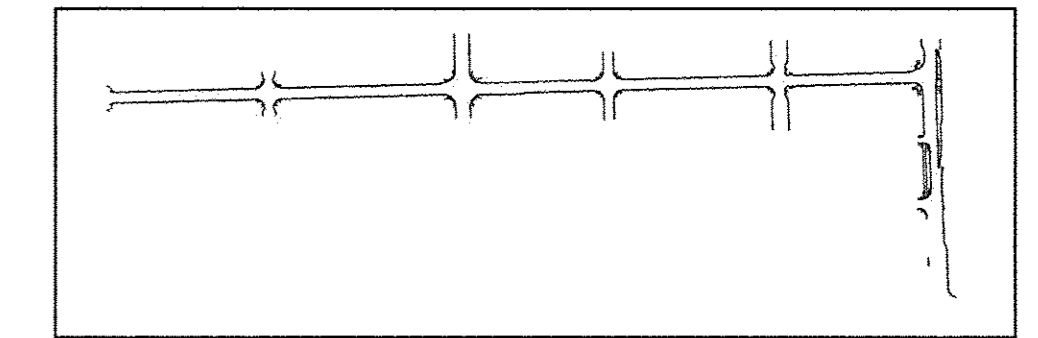
- INSTALL ALL PAVING TO BE SMOOTH AND CONTINUOUS WITHOUT KINKS OR ABRUPT CHANGES. STAKE LAYOUT AND FRAMEWORK AND ACQUIRE APPROVAL OF ENGINEER PRIOR TO CONCRETE POUR AND OTHER CONSTRUCTION ACTIVITIES.
- MATCH LINE AND GRADE OF PAVEMENT, LAWN AND PLANTING AREAS TO EXISTING ADJACENT AREAS.
- GRADE ALL PAVED SURFACES TO A MAXIMUM 5% SLOPE WITH A MAXIMUM CROSS SLOPE OF 2% AND A MINIMUM SLOPE OF 0.5%. SLOPE ALL PAVEMENT TO DRAIN AWAY FROM BUILDINGS.
- ADJUST UTILITY STRUCTURES TO MEET FINISH GRADE.
- LAYOUT CONTROL JOINTS AT A MAX 6' O.C. AND EXPANSION JOINTS AT A MAX 30' O.C. UNLESS OTHERWISE NOTED. IF PAVEMENT IS ARCED, LAYOUT CONTROL JOINTS EQUALLY ALONG LENGTH OF ARC AND PERPENDICULAR TO CENTERLINE OF ARC UNLESS OTHERWISE NOTED.
- FOR PAVING DETAILS, SEE SHEET 247.
- ALL OTHER CONTROL JOINTS AND EXPANSION JOINTS ARE PERPENDICULAR AND PARALLEL TO BUILDING FACADE UNLESS OTHERWISE NOTED.
- CONTROL JOINTS ARE INTENDED TO ALIGN WITH ENDS OF PLANTERS AND TREE GRATES. AT ANGLED PLANTER EDGES, CONTINUE 70° ANGLE AT CONTROL JOINT. FOR SCORING ENLARGEMENT DETAIL SEE SHEET 247.
- ALL EXPOSED VERTICAL CONCRETE SURFACES TO BE CHAMFERED 1/2", 45° UNLESS OTHERWISE NOTED.
- FOR JOINTING DETAILS AT DRIVEWAY, SEE CIVIL DETAILS.
- EXPANSION JOINTS SHALL ALIGN WITH PLANTER EDGES WHERE APPROPRIATE. FOR FURTHER CLARIFICATION, SEE PAVING DETAILS, SHEET 247.
- CONTROL JOINTS ARE TO BE TOOLED WITH A LIGHT BROOM FINISH.

FURNISHING NOTES:

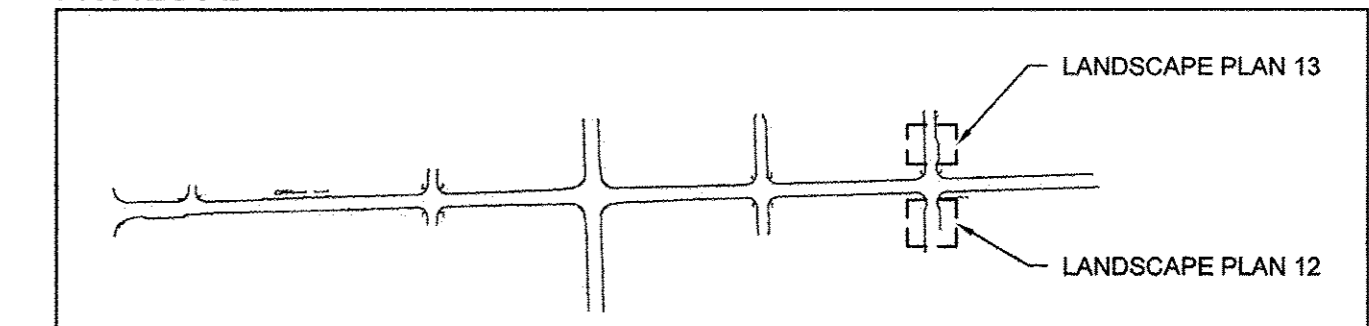
- CONFIRM ALL FURNISHING QUANTITIES AND DIMENSIONS.
- FOR FURNISHING DETAILS, SEE SHEETS 246.
- PROVIDE STAINLESS STEEL TAMPER PROOF FASTENERS.
- FOR TREE WELL DETAILS, SEE SHEET 243.

SITE KEY PLAN
NOT TO SCALE

PROJECT 3

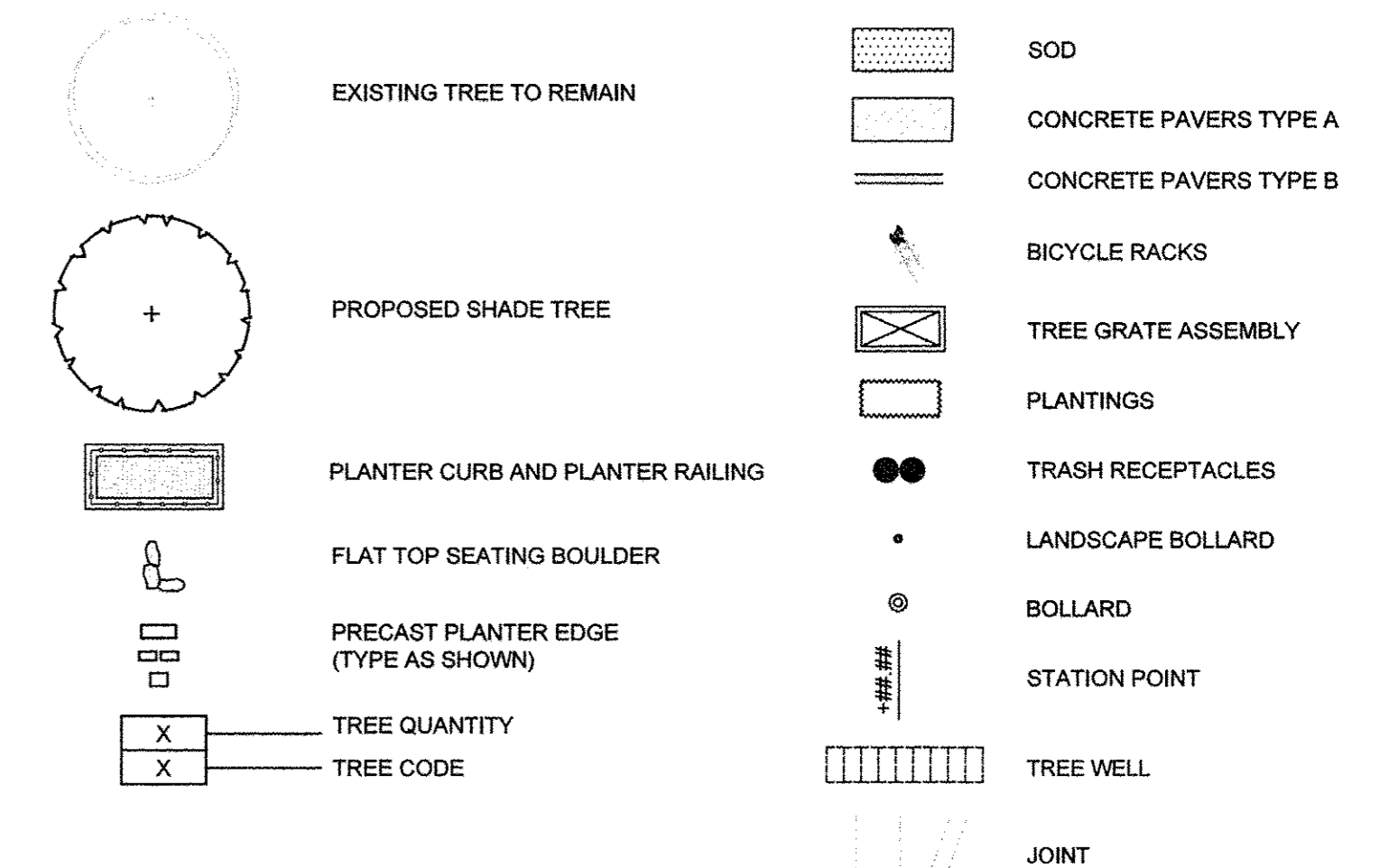


PROJECT 2



TREES							
CODE	QUANTITY	PAY ITEM	BOTANICAL NAME	COMMON NAME	SIZE	ROOT	REMARK
AC	3	B2000568	Amelanchier canadensis	Shadblow Serviceberry	8" H	B&B	matching heads
GB	1	A2004568	Ginkgo biloba 'Magyar'	Magyar Ginkgo	2.5" Cal	B&B	matching heads
NS	2	XX006570	Nyssa sylvatica 'JFS-red'	Firestarter Tupelo	2.5" Cal	B&B	matching heads

LEGEND



FILE NAME = 7186_land.dwg	DESIGNED — BK	REVISED —
PLOT DATE = 2016-03-15 9:03 AM	DRAWN — DZ/JT/JR	REVISED —
	CHECKED — RS, BM	REVISED —
	DATE — MARCH 2016	REVISED —

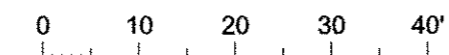
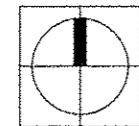
STATE OF ILLINOIS
DEPARTMENT OF TRANSPORTATION

LANDSCAPE PLANS LANDSCAPE PLAN 12, 13		F.A.U. RTE. 7126	SECTION 15-00304-02-PV	COUNTY CHAMPAIGN	TOTAL SHEETS 412	SHEET NO. 225
SCALE : 1"=20'		SHEET NO. 225 OF 412 SHEETS		STATIONING: STA. 303+57.06 TO STA. 307+3.00		CONTRACT NO. 91540
		JOB NO. C-95-306-16		ILLINOIS FED. AID PROJECT TIC-518(058)		



site design group, ltd.

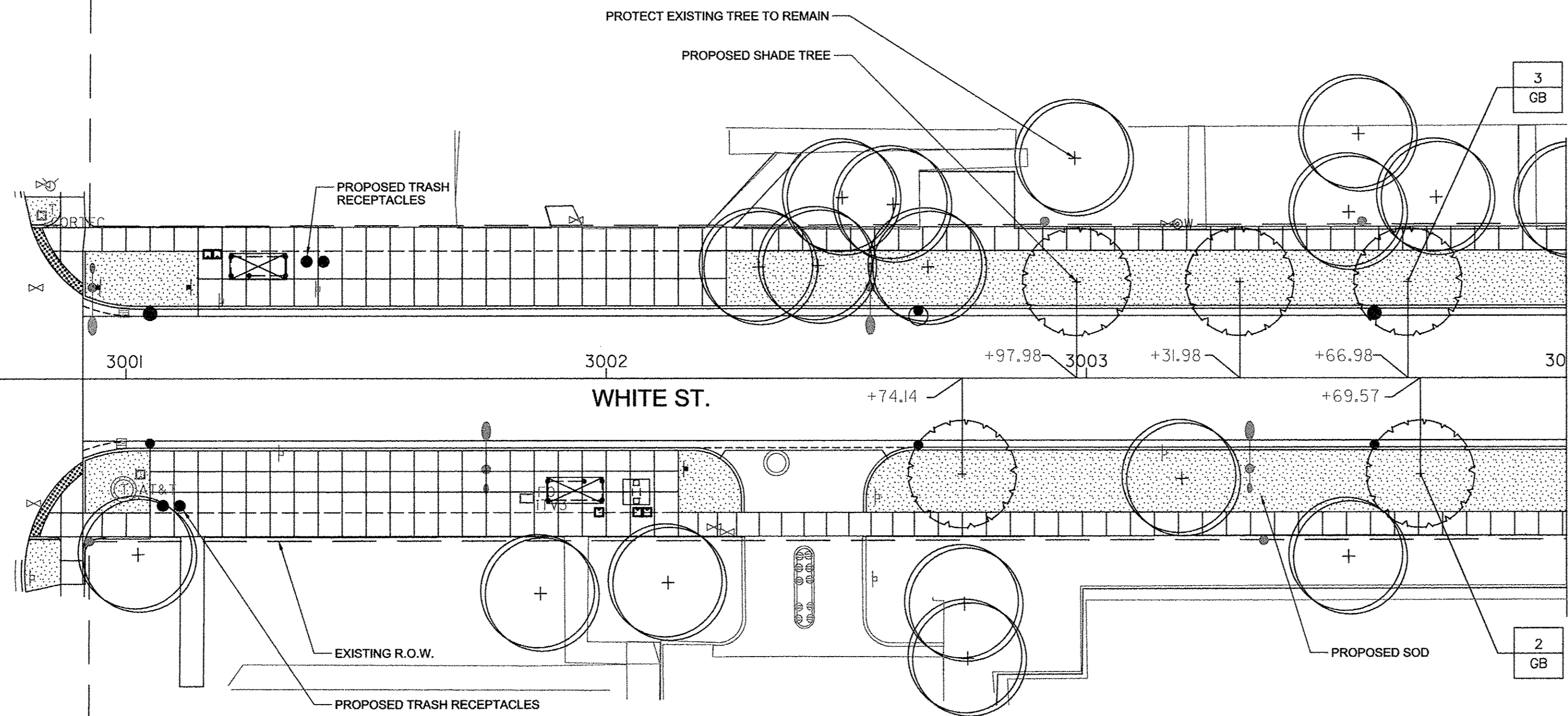
1 LANDSCAPE PLAN 14
1" = 20'-0"



S SECOND ST.

WHITE ST.

MATCH LINE - STA. 3004+00.00
SEE SHEET 227



GENERAL NOTES:

1. COMPLY WITH ALL APPLICABLE FEDERAL, STATE AND LOCAL CODES AND ORDINANCES FOR ALL WORK AND OPERATIONS.
2. KEEP ALL AREAS CLEAN, NEAT AND ORDERLY AT ALL TIMES. CLEAR OF RUBBISH AND DEBRIS. LEGALLY DISPOSE OF ALL MATERIALS REMOVED FROM THE SITE.
3. PROTECT STRUCTURES, UTILITIES, SIDEWALKS, PAVEMENTS, FENCING, FURNISHINGS AND PLANTINGS, TREES AND LAWNS FROM DAMAGE CAUSED BY SETTLEMENT, LATERAL MOVEMENT, UNDERMINING, WASHOUTS, AND OTHER HAZARDS CREATED BY SITE IMPROVEMENTS. IF ANY DAMAGE OCCURS, REPAIR TO ORIGINAL CONDITION AT NO ADDITIONAL COST.
4. PROTECT AND/OR RESTORE EXISTING LAWN TO EXCELLENT CONDITION WITH TOPSOIL AND SOD.
5. VERIFY DIMENSIONS IN FIELD.
6. COORDINATE WORK WITH ALL OTHER TRADES.

PAVING NOTES:

1. INSTALL ALL PAVING TO BE SMOOTH AND CONTINUOUS WITHOUT KINKS OR ABRUPT CHANGES.
2. MATCH LINE AND GRADE OF PAVEMENT, LAWN AND PLANTING AREAS TO EXISTING ADJACENT AREAS.
3. GRADE ALL PAVED SURFACES TO A MAXIMUM 5% SLOPE WITH A MAXIMUM CROSS SLOPE OF 2% AND A MINIMUM SLOPE OF 0.5%.
4. ADJUST UTILITY STRUCTURES TO MEET FINISH GRADE.
5. LAYOUT CONTROL JOINTS AT A MAX 6' O.C. AND EXPANSION JOINTS AT A MAX 30' O.C. UNLESS OTHERWISE NOTED. IF PAVEMENT IS ARCED, LAYOUT CONTROL JOINTS EQUALLY ALONG LENGTH OF ARC AND PERPENDICULAR TO CENTERLINE OF ARC UNLESS OTHERWISE NOTED. CONTROL JOINTS ARE TO BE TOOLED WITH A LIGHT BROOM FINISH.

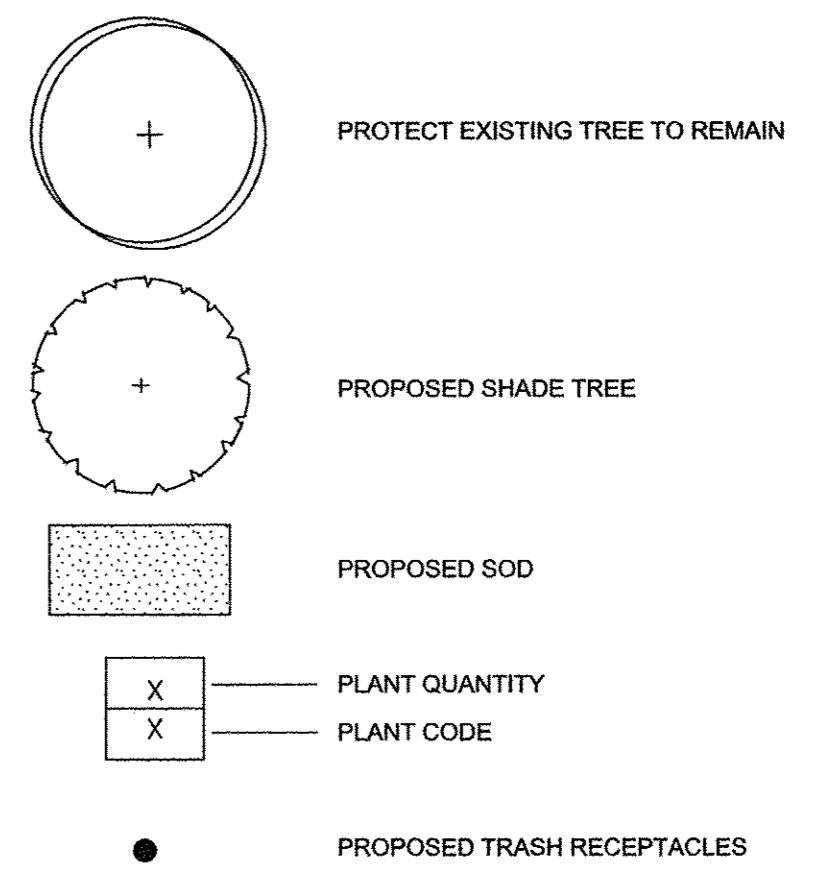
FURNISHING NOTES:

1. CONFIRM ALL FURNISHING QUANTITIES AND DIMENSIONS.
2. FOR FURNISHING DETAILS, SEE SHEETS 246.
3. PROVIDE STAINLESS STEEL TAMPER PROOF FASTENERS.
4. INSTALL ANCHORS ACCORDING TO ARTICLE 509.06 OF THE STANDARD SPECIFICATIONS.

LANDSCAPE NOTES:

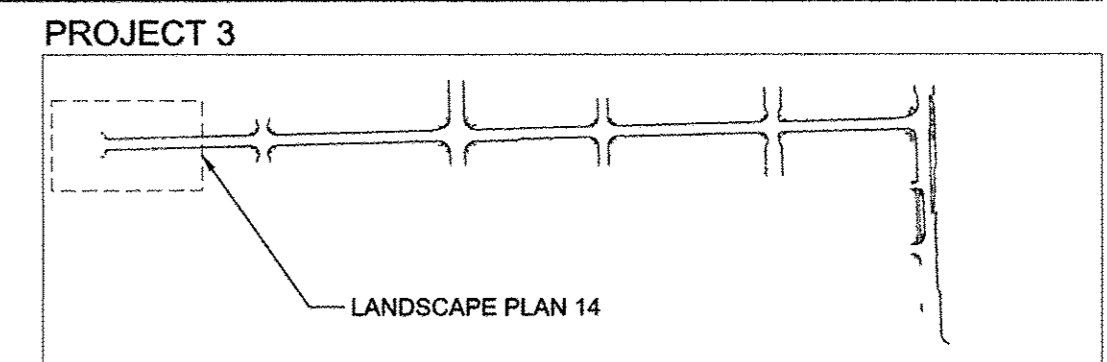
1. FOR LANDSCAPE DETAILS, SEE SHEET 242.
2. ALL PLANTINGS SHALL FOLLOW IDOT BUREAU OF DESIGN & ENVIRONMENT MANUAL - CHAPTER 59 - LANDSCAPE DESIGN AND EROSION CONTROL 59-7.09 PLANTING IN URBANIZED AREA FOR SIGHT DISTANCES.
3. ALL AREAS TO BE LANDSCAPED SHALL BE EXCAVATED TO THE DEPTH APPROPRIATE FOR THE PROPOSED PLANTINGS.
4. ANY AREAS OUTSIDE OF THE LANDSCAPE BEDS THAT ARE DISTURBED SHALL BE REPLACED IN KIND.

LEGEND

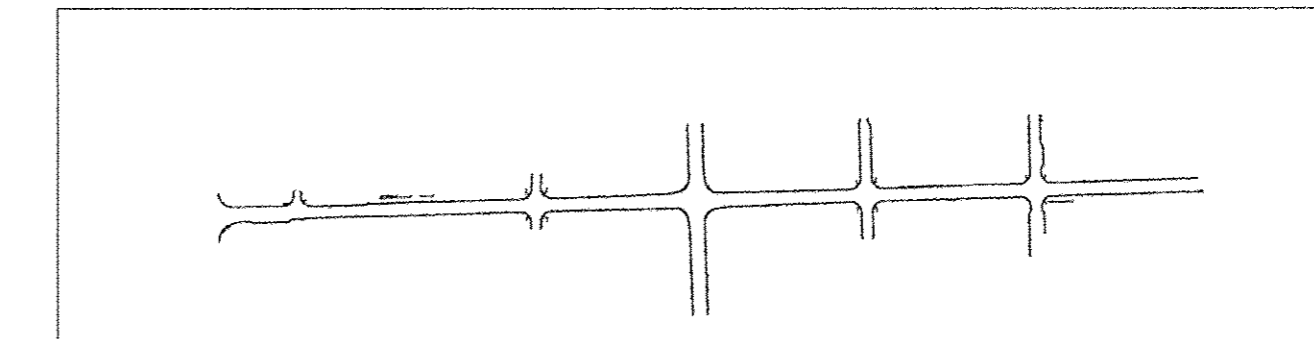


PLANT SCHEDULE								
CODE	PAY ITEM	QUANTITY	BOTANICAL NAME	COMMON NAME	SIZE	ROOT	REMARKS	
GB	A2004568	5	Ginkgo biloba 'Magyar'	Magyar Ginkgo	3'-4" cal	B&B	matching heads	

SITE KEY PLAN
NOT TO SCALE



PROJECT 2



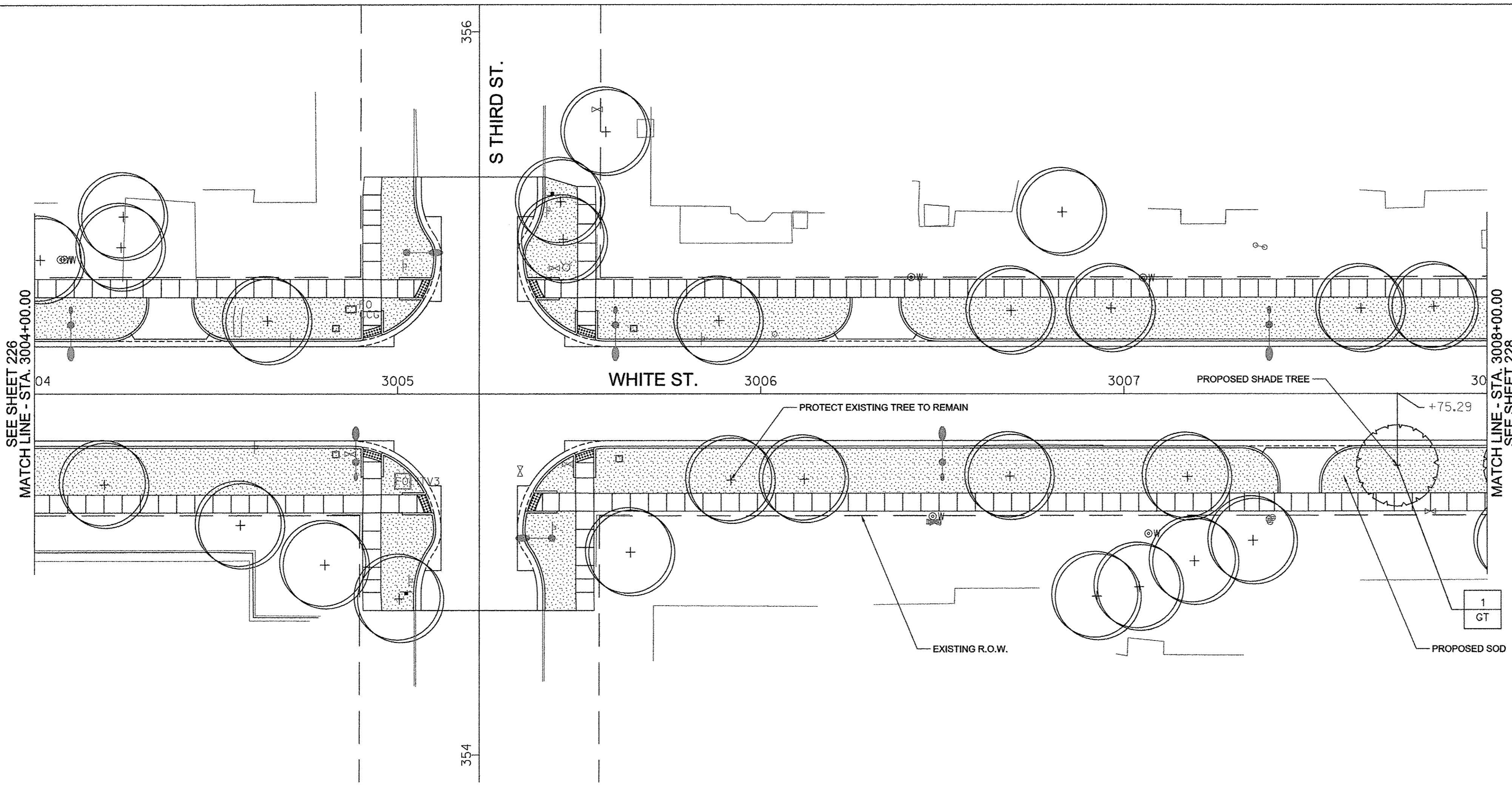
FILE NAME = \$FILES	DESIGNED - BK	REVISED -
PLOT DATE = 3/11/2016 \$TIMES	DRAWN - JR	REVISED -
	CHECKED - BM	REVISED -
	DATE - MARCH 2016	REVISED -

STATE OF ILLINOIS
DEPARTMENT OF TRANSPORTATION

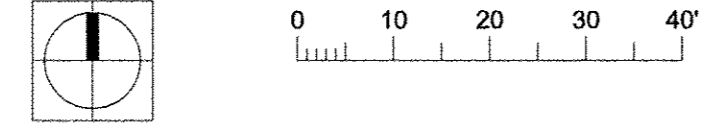
LANDSCAPE PLANS
WHITE STREET - LANDSCAPE PLAN 14

SCALE : 1"=20' SHEET NO. 226 OF 412 SHEETS STA. 3000+00.00 TO STA. 3004+00.00

F.A.U. RTE.	SECTION	COUNTY	TOTAL SHEETS	SHEET NO.
	15-00304-02-PV	CHAMPAIGN	412	226
MCORE PROJECT 3		CONTRACT NO. 91540		
JOB NO. C-95-306-16		ILLINOIS FED. AID PROJECT TIG-518(05B)		



1 LANDSCAPE PLAN 15
1" = 20'-0"



GENERAL NOTES:

1. COMPLY WITH ALL APPLICABLE FEDERAL, STATE AND LOCAL CODES AND ORDINANCES FOR ALL WORK AND OPERATIONS.
2. KEEP ALL AREAS CLEAN, NEAT AND ORDERLY AT ALL TIMES. CLEAR OF RUBBISH AND DEBRIS. LEGALLY DISPOSE OF ALL MATERIALS REMOVED FROM THE SITE.
3. PROTECT STRUCTURES, UTILITIES, SIDEWALKS, PAVEMENTS, FENCING, FURNISHINGS AND PLANTINGS, TREES AND LAWNS FROM DAMAGE CAUSED BY SETTLEMENT, LATERAL MOVEMENT, UNDERMINING, WASHOUTS, AND OTHER HAZARDS CREATED BY SITE IMPROVEMENTS. IF ANY DAMAGE OCCURS, REPAIR TO ORIGINAL CONDITION AT NO ADDITIONAL COST.
4. PROTECT AND/OR RESTORE EXISTING LAWN TO EXCELLENT CONDITION WITH TOPSOIL AND SOD.
5. VERIFY DIMENSIONS IN FIELD.
6. COORDINATE WORK WITH ALL OTHER TRADES.

PAVING NOTES:

1. INSTALL ALL PAVING TO BE SMOOTH AND CONTINUOUS WITHOUT KINKS OR ABRUPT CHANGES.
2. MATCH LINE AND GRADE OF PAVEMENT, LAWN AND PLANTING AREAS TO EXISTING ADJACENT AREAS.
3. GRADE ALL PAVED SURFACES TO A MAXIMUM 5% SLOPE WITH A MAXIMUM CROSS SLOPE OF 2% AND A MINIMUM SLOPE OF 0.5%.
4. ADJUST UTILITY STRUCTURES TO MEET FINISH GRADE.
5. LAYOUT CONTROL JOINTS AT A MAX 6' O.C. AND EXPANSION JOINTS AT A MAX 30' O.C. UNLESS OTHERWISE NOTED. IF PAVEMENT IS ARCED, LAYOUT CONTROL JOINTS EQUALLY ALONG LENGTH OF ARC AND PERPENDICULAR TO CENTERLINE OF ARC UNLESS OTHERWISE NOTED. CONTROL JOINTS ARE TO BE TOOLED WITH A LIGHT BROOM FINISH.

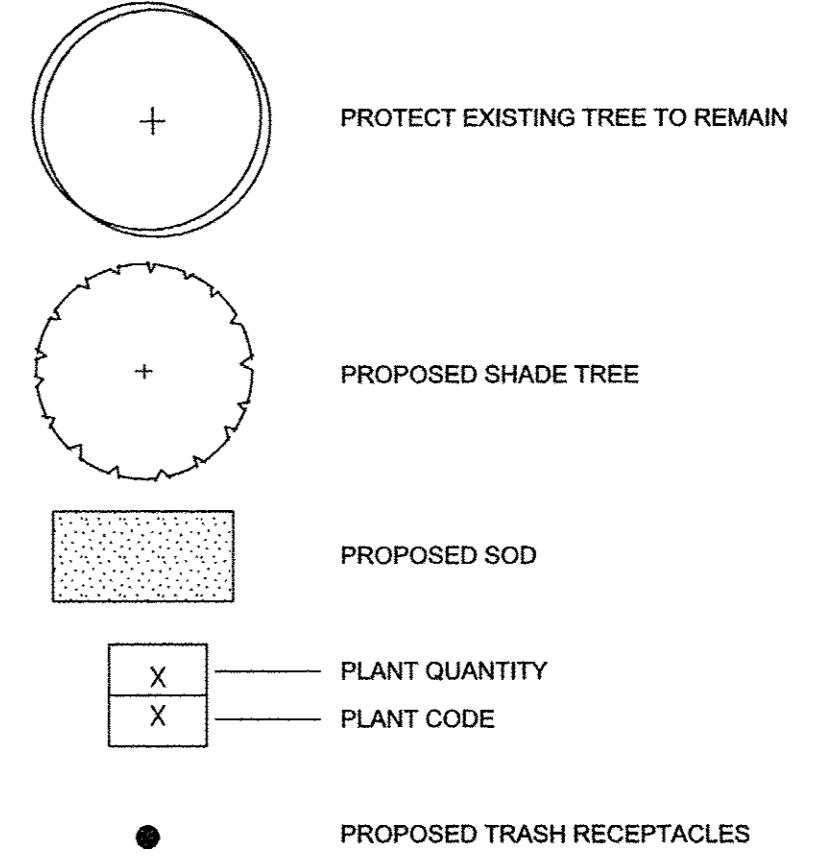
FURNISHING NOTES:

1. CONFIRM ALL FURNISHING QUANTITIES AND DIMENSIONS.
2. FOR FURNISHING DETAILS, SEE SHEETS 246.
3. PROVIDE STAINLESS STEEL TAMPER PROOF FASTENERS.
4. INSTALL ANCHORS ACCORDING TO ARTICLE 509.06 OF THE STANDARD SPECIFICATIONS.

LANDSCAPE NOTES:

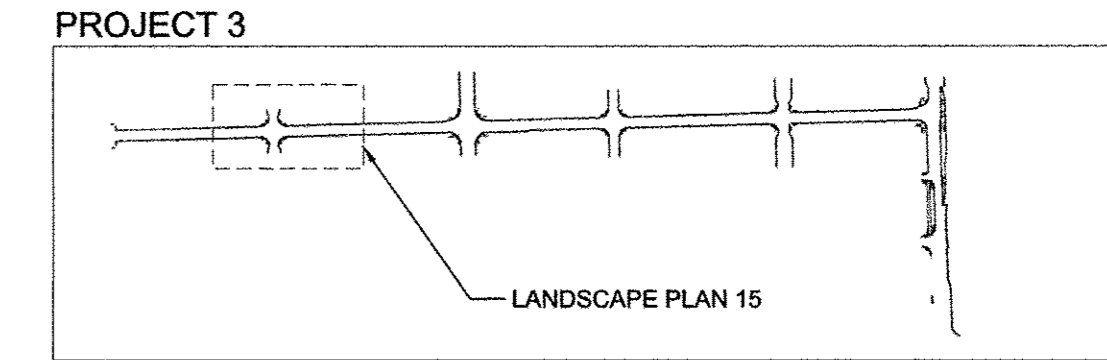
1. FOR LANDSCAPE DETAILS, SEE SHEET 242.
2. ALL PLANTINGS SHALL FOLLOW IDOT BUREAU OF DESIGN & ENVIRONMENT MANUAL - CHAPTER 59 - LANDSCAPE DESIGN AND EROSION CONTROL 59-7.09 PLANTING IN URBANIZED AREA FOR SIGHT DISTANCES.
3. ALL AREAS TO BE LANDSCAPED SHALL BE EXCAVATED TO THE DEPTH APPROPRIATE FOR THE PROPOSED PLANTINGS.
4. ANY AREAS OUTSIDE OF THE LANDSCAPE BEDS THAT ARE DISTURBED SHALL BE REPLACED IN KIND.

LEGEND

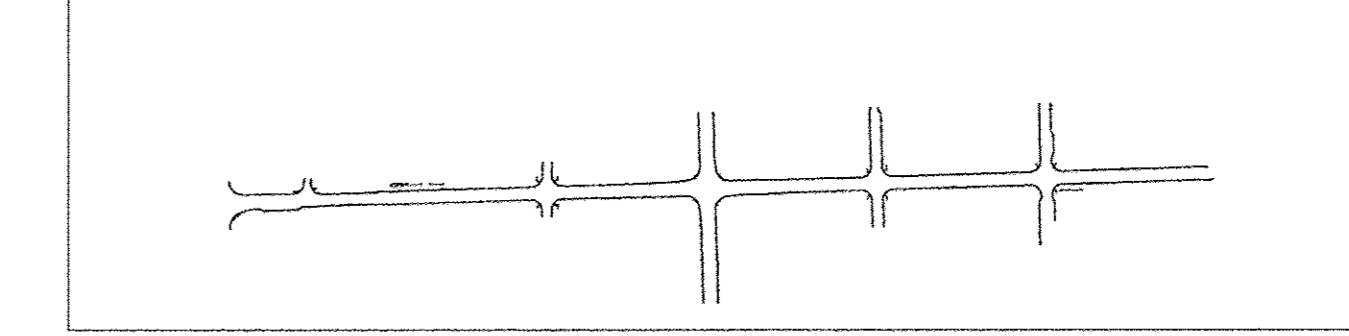


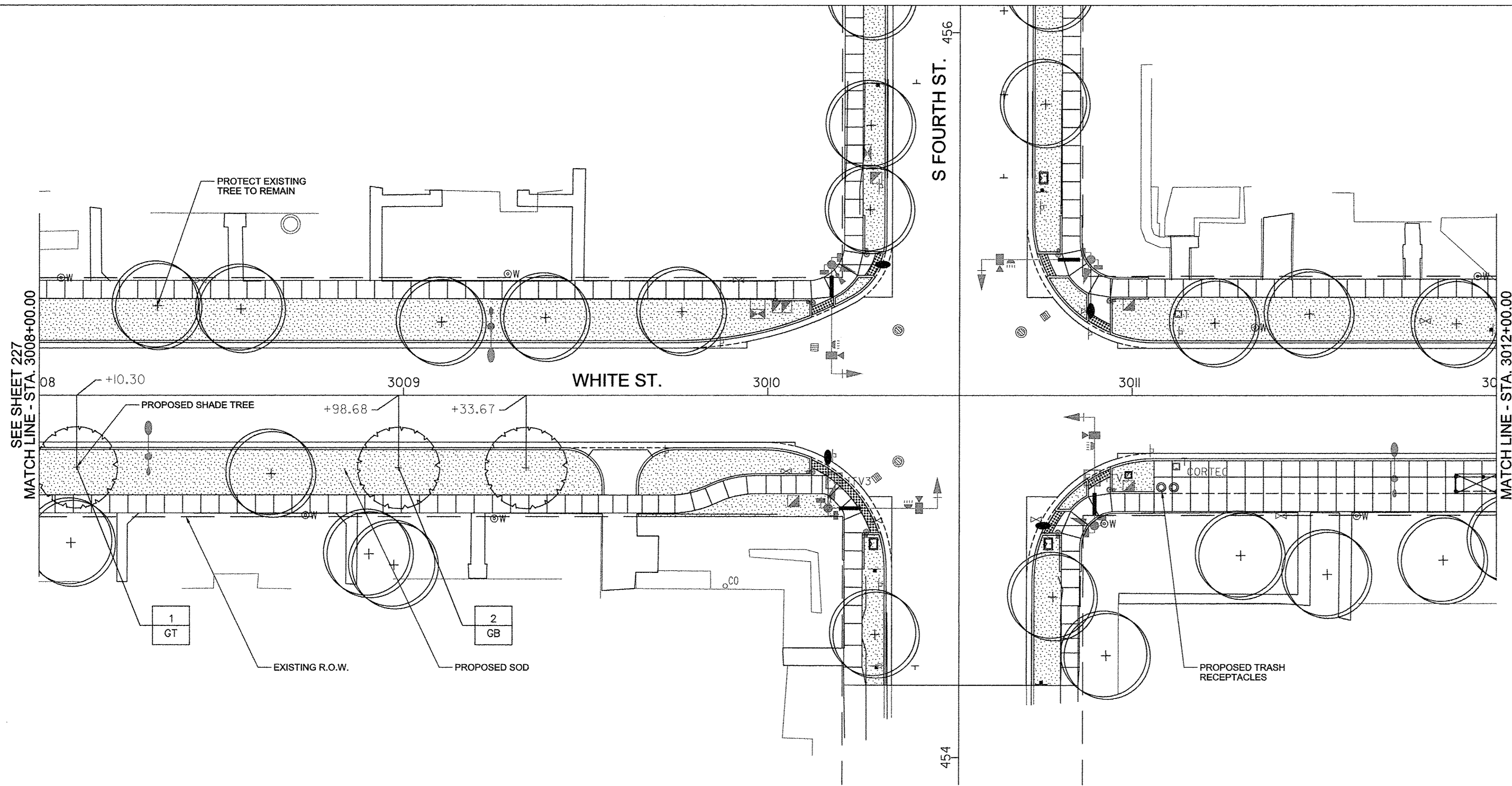
PLANT SCHEDULE							
CODE	PAY ITEM	QUANTITY	BOTANICAL NAME	COMMON NAME	SIZE	ROOT	REMARKS
GT	AZ004617	1	Gleditsia triacanthos var. inermis	Street Keeper Honeylocust	3"-4" cal	B&B	matching heads

SITE KEY PLAN
NOT TO SCALE

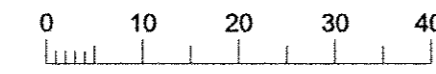
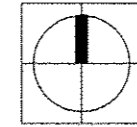


PROJECT 2





1 LANDSCAPE PLAN 16
1" = 20'-0"



GENERAL NOTES:

1. COMPLY WITH ALL APPLICABLE FEDERAL, STATE AND LOCAL CODES AND ORDINANCES FOR ALL WORK AND OPERATIONS.
2. KEEP ALL AREAS CLEAN, NEAT AND ORDERLY AT ALL TIMES. CLEAR OF RUBBISH AND DEBRIS. LEGALLY DISPOSE OF ALL MATERIALS REMOVED FROM THE SITE.
3. PROTECT STRUCTURES, UTILITIES, SIDEWALKS, PAVEMENTS, FENCING, FURNISHINGS AND PLANTINGS, TREES AND LAWNS FROM DAMAGE CAUSED BY SETTLEMENT, LATERAL MOVEMENT, UNDERMINING, WASHOUTS, AND OTHER HAZARDS CREATED BY SITE IMPROVEMENTS. IF ANY DAMAGE OCCURS, REPAIR TO ORIGINAL CONDITION AT NO ADDITIONAL COST.
4. PROTECT AND/OR RESTORE EXISTING LAWN TO EXCELLENT CONDITION WITH TOPSOIL AND SOD.
5. VERIFY DIMENSIONS IN FIELD.
6. COORDINATE WORK WITH ALL OTHER TRADES.

PAVING NOTES:

1. INSTALL ALL PAVING TO BE SMOOTH AND CONTINUOUS WITHOUT KINKS OR ABRUPT CHANGES.
2. MATCH LINE AND GRADE OF PAVEMENT, LAWN AND PLANTING AREAS TO EXISTING ADJACENT AREAS.
3. GRADE ALL PAVED SURFACES TO A MAXIMUM 5% SLOPE WITH A MAXIMUM CROSS SLOPE OF 2% AND A MINIMUM SLOPE OF 0.5%.
4. ADJUST UTILITY STRUCTURES TO MEET FINISH GRADE.
5. LAYOUT CONTROL JOINTS AT A MAX 6' O.C. AND EXPANSION JOINTS AT A MAX 30' O.C. UNLESS OTHERWISE NOTED. IF PAVEMENT IS ARCHED, LAYOUT CONTROL JOINTS EQUALLY ALONG LENGTH OF ARC AND PERPENDICULAR TO CENTERLINE OF ARC UNLESS OTHERWISE NOTED. CONTROL JOINTS ARE TO BE TOOLED WITH A LIGHT BROOM FINISH.

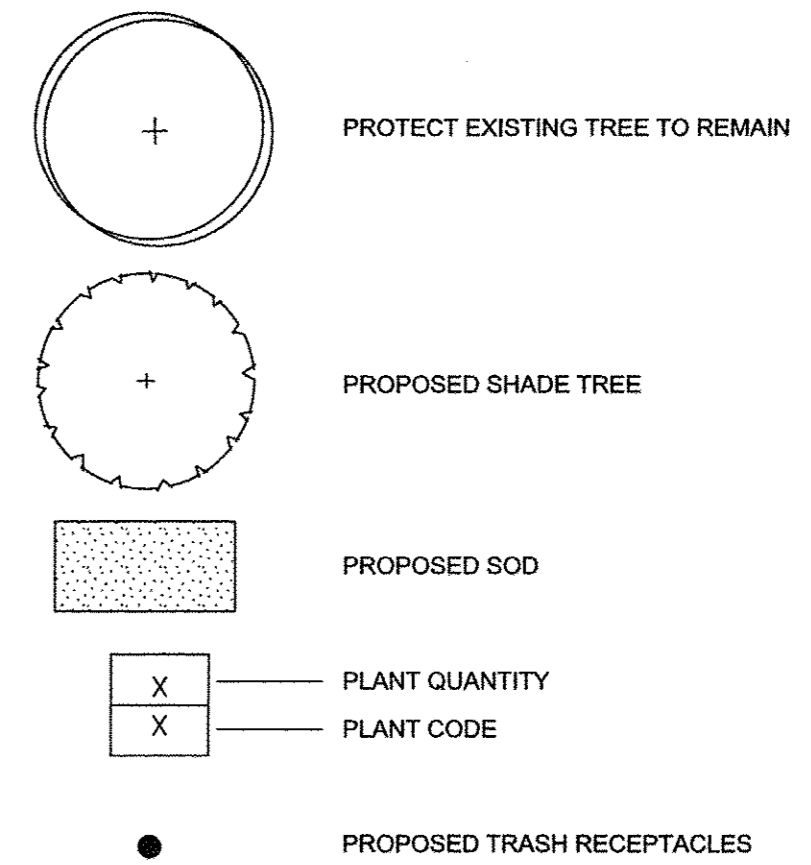
FURNISHING NOTES:

1. CONFIRM ALL FURNISHING QUANTITIES AND DIMENSIONS.
2. FOR FURNISHING DETAILS, SEE SHEETS 246.
3. PROVIDE STAINLESS STEEL TAMPER PROOF FASTENERS.
4. INSTALL ANCHORS ACCORDING TO ARTICLE 509.06 OF THE STANDARD SPECIFICATIONS.

LANDSCAPE NOTES:

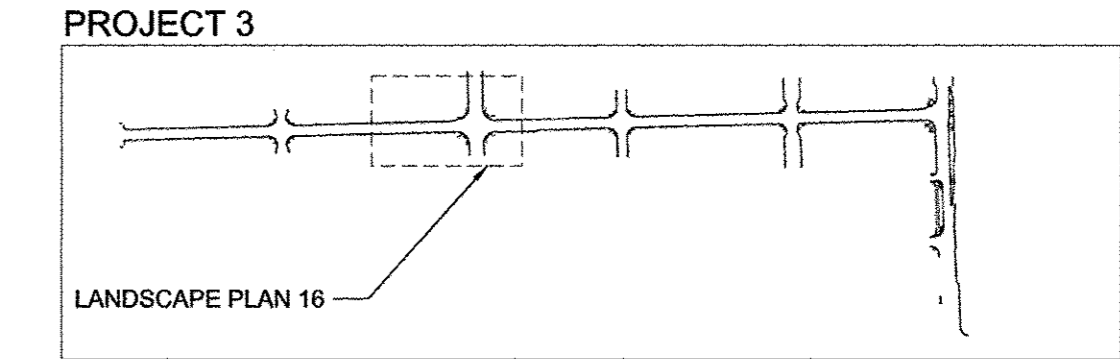
1. FOR LANDSCAPE DETAILS, SEE SHEET 242.
2. ALL PLANTINGS SHALL FOLLOW IDOT BUREAU OF DESIGN & ENVIRONMENT MANUAL - CHAPTER 59 - LANDSCAPE DESIGN AND EROSION CONTROL 59-7.09 PLANTING IN URBANIZED AREA FOR SIGHT DISTANCES.
3. ALL AREAS TO BE LANDSCAPED SHALL BE EXCAVATED TO THE DEPTH APPROPRIATE FOR THE PROPOSED PLANTINGS.
4. ANY AREAS OUTSIDE OF THE LANDSCAPE BEDS THAT ARE DISTURBED SHALL BE REPLACED IN KIND.

LEGEND

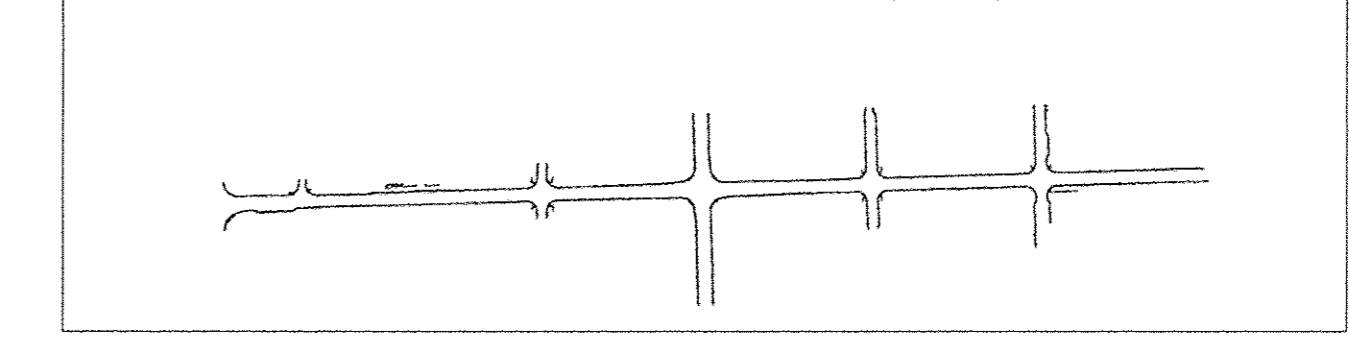


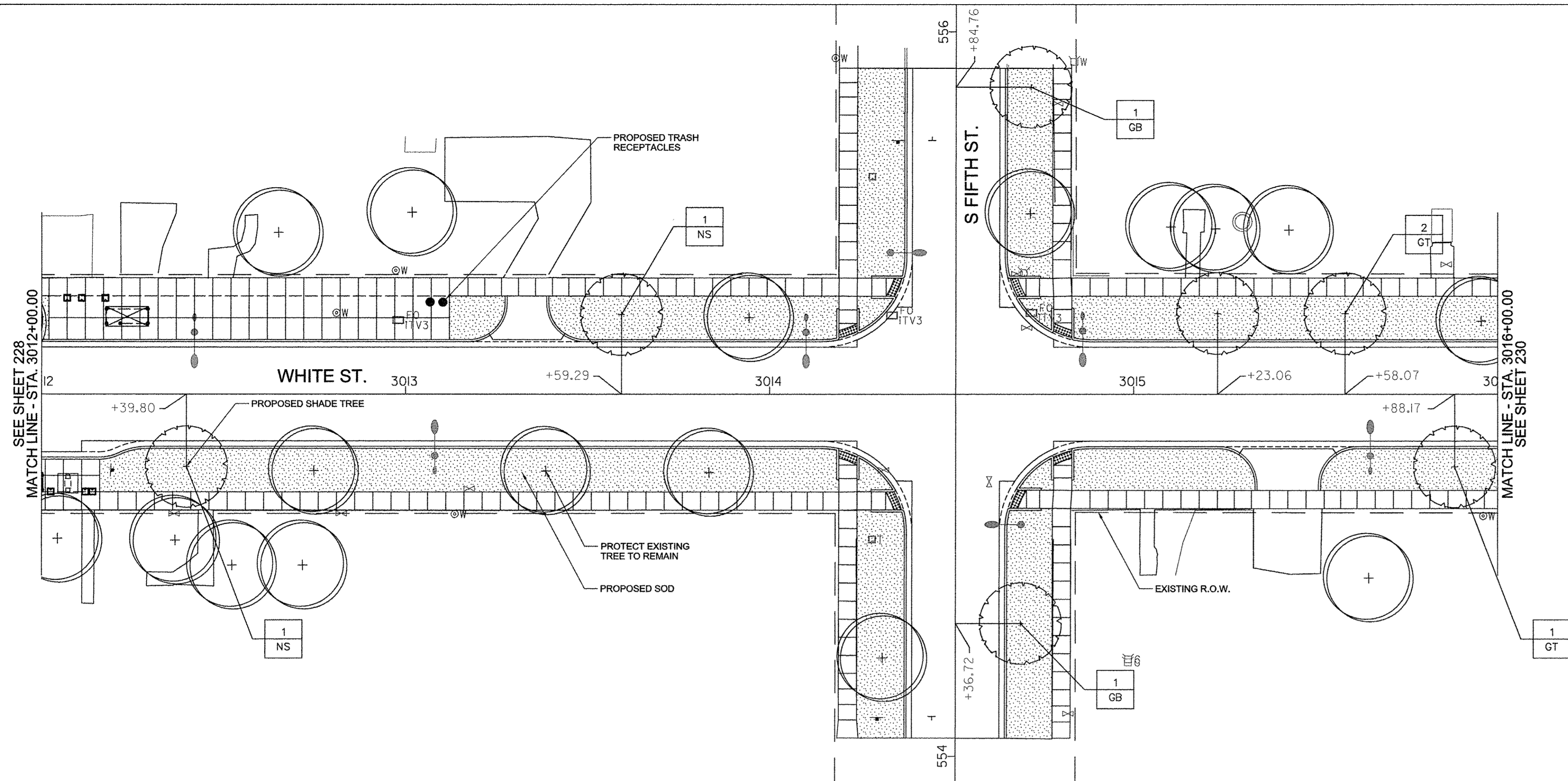
PLANT SCHEDULE							
CODE	PAY ITEM	QUANTITY	BOTANICAL NAME	COMMON NAME	SIZE	ROOT	REMARKS
GB	A2004568	2	Gingko biloba 'Magyar'	Magyar Gingko	3'-4" cal	B&B	matching heads
GT	A2004617	1	Gleditsia triacanthos var. inermis	Street Keeper Honeylocust	3'-4" cal	B&B	matching heads

SITE KEY PLAN
NOT TO SCALE

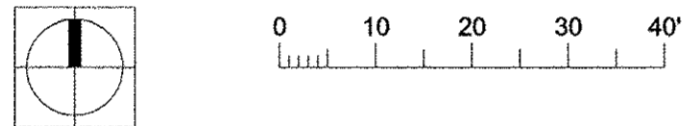


PROJECT 2





1 LANDSCAPE PLAN 17
1" = 20'-0"



GENERAL NOTES:

1. COMPLY WITH ALL APPLICABLE FEDERAL, STATE AND LOCAL CODES AND ORDINANCES FOR ALL WORK AND OPERATIONS.
2. KEEP ALL AREAS CLEAN, NEAT AND ORDERLY AT ALL TIMES. CLEAR OF RUBBISH AND DEBRIS. LEGALLY DISPOSE OF ALL MATERIALS REMOVED FROM THE SITE.
3. PROTECT STRUCTURES, UTILITIES, SIDEWALKS, PAVEMENTS, FENCING, FURNISHINGS AND PLANTINGS, TREES AND LAWNS FROM DAMAGE CAUSED BY SETTLEMENT, LATERAL MOVEMENT, UNDERMINING, WASHOUTS, AND OTHER HAZARDS CREATED BY SITE IMPROVEMENTS. IF ANY DAMAGE OCCURS, REPAIR TO ORIGINAL CONDITION AT NO ADDITIONAL COST.
4. PROTECT AND/OR RESTORE EXISTING LAWN TO EXCELLENT CONDITION WITH TOPSOIL AND SOD.
5. VERIFY DIMENSIONS IN FIELD.
6. COORDINATE WORK WITH ALL OTHER TRADES.

PAVING NOTES:

1. INSTALL ALL PAVING TO BE SMOOTH AND CONTINUOUS WITHOUT KINKS OR ABRUPT CHANGES.
2. MATCH LINE AND GRADE OF PAVEMENT, LAWN AND PLANTING AREAS TO EXISTING ADJACENT AREAS.
3. GRADE ALL PAVED SURFACES TO A MAXIMUM 5% SLOPE WITH A MAXIMUM CROSS SLOPE OF 2% AND A MINIMUM SLOPE OF 0.5%.
4. ADJUST UTILITY STRUCTURES TO MEET FINISH GRADE.
5. LAYOUT CONTROL JOINTS AT A MAX 8' O.C. AND EXPANSION JOINTS AT A MAX 30' O.C. UNLESS OTHERWISE NOTED. IF PAVEMENT IS ARCHED, LAYOUT CONTROL JOINTS EQUALLY ALONG LENGTH OF ARC AND PERPENDICULAR TO CENTERLINE OF ARC UNLESS OTHERWISE NOTED. CONTROL JOINTS ARE TO BE TOOLED WITH A LIGHT BROOM FINISH.

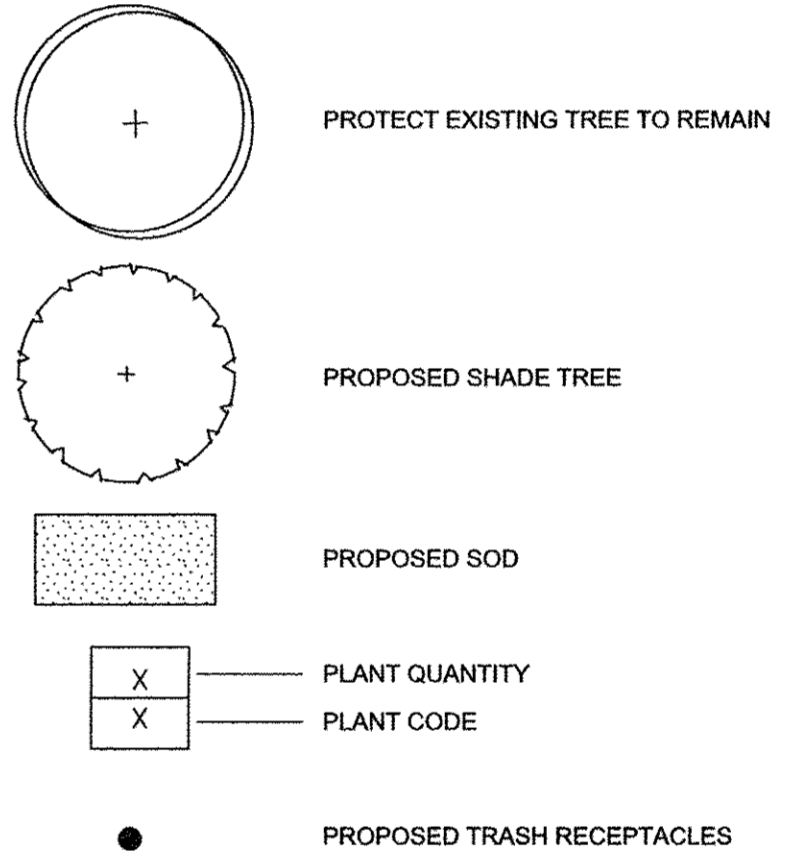
FURNISHING NOTES:

1. CONFIRM ALL FURNISHING QUANTITIES AND DIMENSIONS.
2. FOR FURNISHING DETAILS, SEE SHEETS 246.
3. PROVIDE STAINLESS STEEL TAMPER PROOF FASTENERS.
4. INSTALL ANCHORS ACCORDING TO ARTICLE 509.06 OF THE STANDARD SPECIFICATIONS.

LANDSCAPE NOTES:

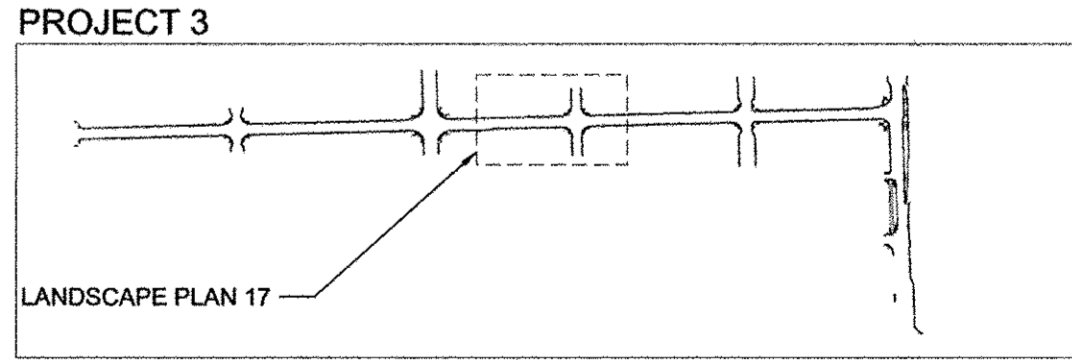
1. FOR LANDSCAPE DETAILS, SEE SHEET 242.
2. ALL PLANTINGS SHALL FOLLOW IDOT BUREAU OF DESIGN & ENVIRONMENT MANUAL - CHAPTER 59 - LANDSCAPE DESIGN AND EROSION CONTROL 59-7.09 PLANTING IN URBANIZED AREA FOR SIGHT DISTANCES.
3. ALL AREAS TO BE LANDSCAPED SHALL BE EXCAVATED TO THE DEPTH APPROPRIATE FOR THE PROPOSED PLANTINGS.
4. ANY AREAS OUTSIDE OF THE LANDSCAPE BEDS THAT ARE DISTURBED SHALL BE REPLACED IN KIND.

LEGEND

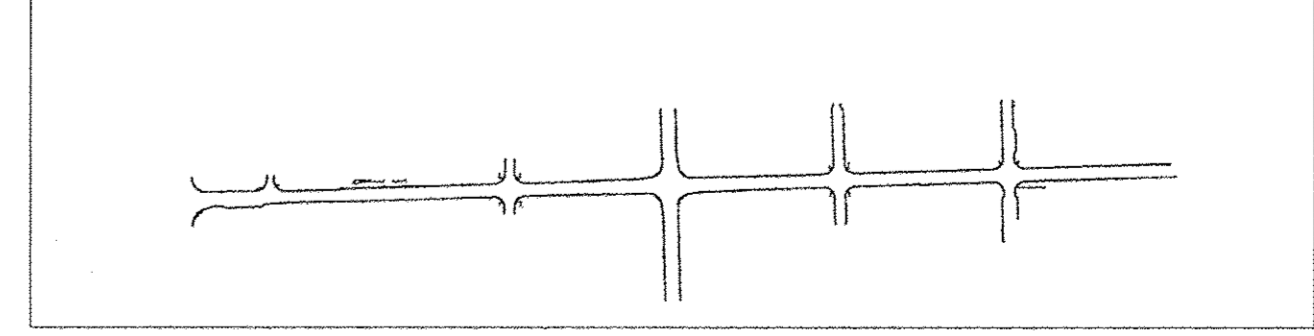


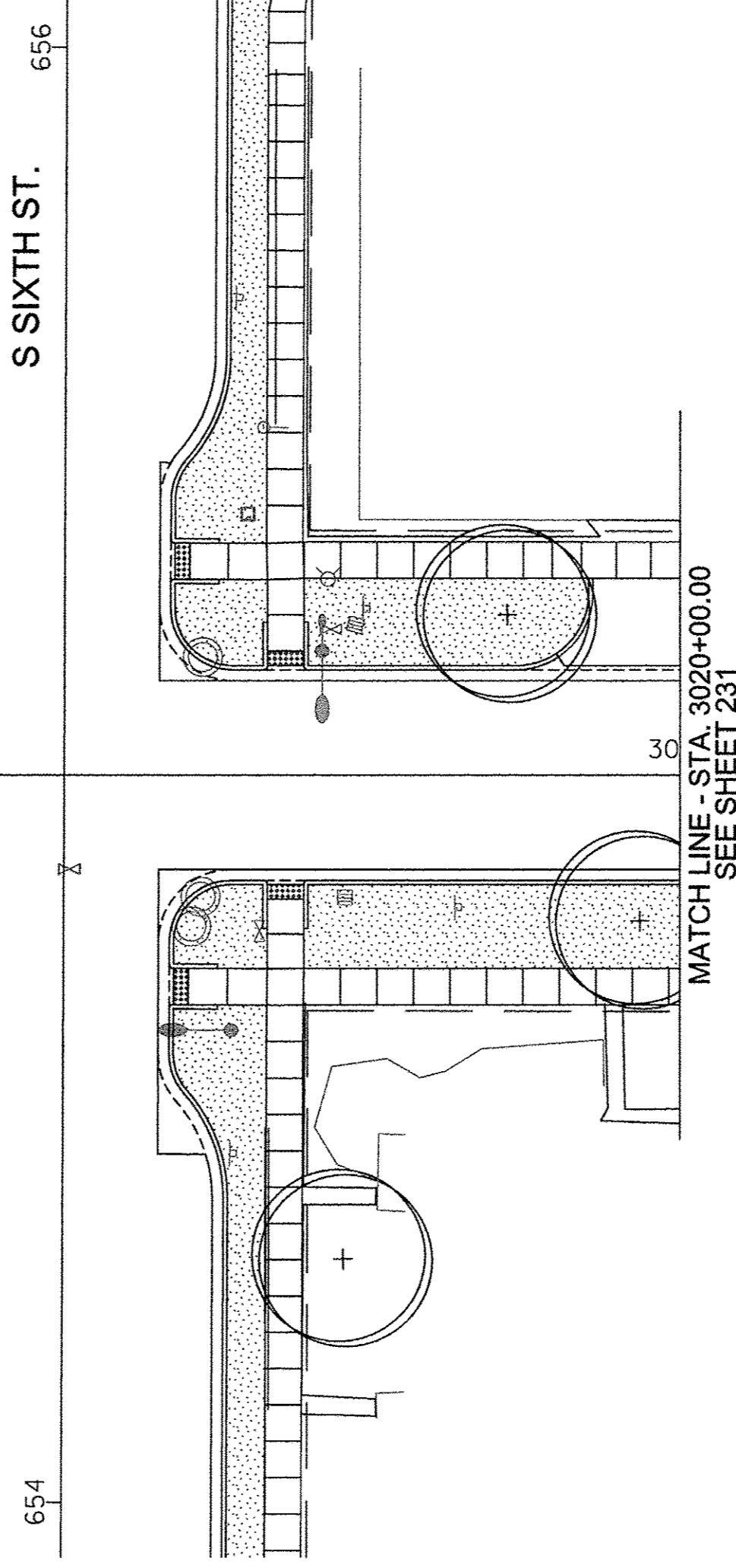
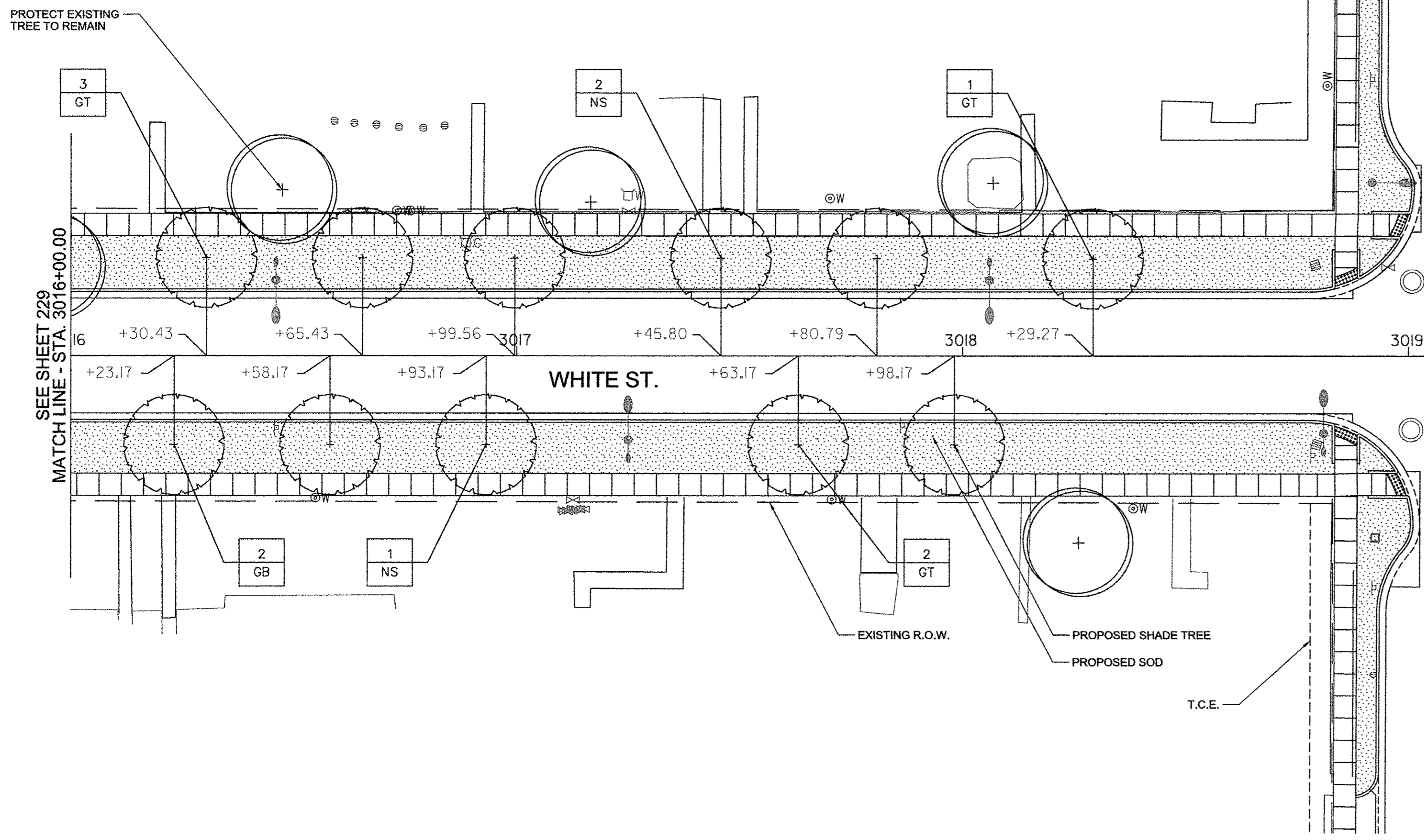
PLANT SCHEDULE							
CODE	PAY ITEM	QUANTITY	BOTANICAL NAME	COMMON NAME	SIZE	ROOT	REMARKS
GB	A2004568	2	Gingko biloba 'Magyar'	Magyar Gingko	3"-4" cal	B&B	matching heads
GT	A2004617	3	Gleditsia triacanthos var. inermis	Street Keeper Honeylocust	3"-4" cal	B&B	matching heads
NS	XX006570	2	Nyssa sylvatica 'JFS-red'	Firestarter Tupelo	3"-4" cal	B&B	matching heads

SITE KEY PLAN
NOT TO SCALE



PROJECT 2



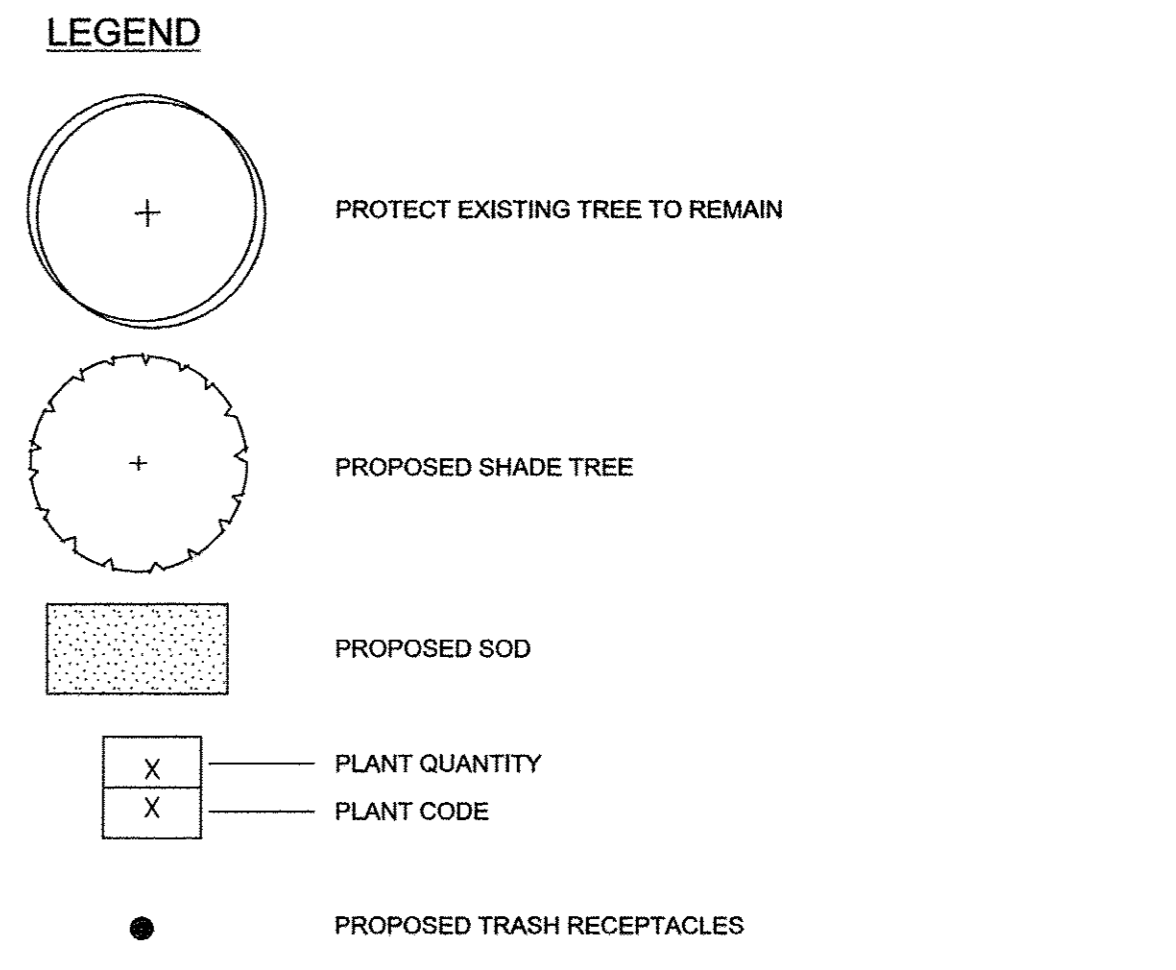


- GENERAL NOTES:**
1. COMPLY WITH ALL APPLICABLE FEDERAL, STATE AND LOCAL CODES AND ORDINANCES FOR ALL WORK AND OPERATIONS.
 2. KEEP ALL AREAS CLEAN, NEAT AND ORDERLY AT ALL TIMES. CLEAR OF RUBBISH AND DEBRIS. LEGALLY DISPOSE OF ALL MATERIALS REMOVED FROM THE SITE.
 3. PROTECT STRUCTURES, UTILITIES, SIDEWALKS, PAVEMENTS, FENCING, FURNISHINGS AND PLANTINGS. TREES AND LAWNS FROM DAMAGE CAUSED BY SETTLEMENT, LATERAL MOVEMENT, UNDERMINING, WASHOUTS, AND OTHER HAZARDS CREATED BY SITE IMPROVEMENTS. IF ANY DAMAGE OCCURS, REPAIR TO ORIGINAL CONDITION AT NO ADDITIONAL COST.
 4. PROTECT AND/OR RESTORE EXISTING LAWN TO EXCELLENT CONDITION WITH TOPSOIL AND SOD.
 5. VERIFY DIMENSIONS IN FIELD.
 6. COORDINATE WORK WITH ALL OTHER TRADES.

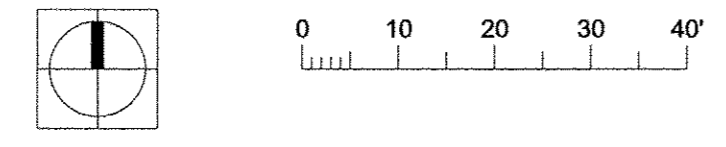
- PAVING NOTES:**
1. INSTALL ALL PAVING TO BE SMOOTH AND CONTINUOUS WITHOUT KINKS OR ABRUPT CHANGES.
 2. MATCH LINE AND GRADE OF PAVEMENT, LAWN AND PLANTING AREAS TO EXISTING ADJACENT AREAS.
 3. GRADE ALL PAVED SURFACES TO A MAXIMUM 5% SLOPE WITH A MAXIMUM CROSS SLOPE OF 2% AND A MINIMUM SLOPE OF 0.5%.
 4. ADJUST UTILITY STRUCTURES TO MEET FINISH GRADE.
 5. LAYOUT CONTROL JOINTS AT A MAX 6' O.C. AND EXPANSION JOINTS AT A MAX 30' O.C. UNLESS OTHERWISE NOTED. IF PAVEMENT IS ARCED, LAYOUT CONTROL JOINTS EQUALLY ALONG LENGTH OF ARC AND PERPENDICULAR TO CENTERLINE OF ARC UNLESS OTHERWISE NOTED. CONTROL JOINTS ARE TO BE TOOLED WITH A LIGHT BROOM FINISH.

- FURNISHING NOTES:**
1. CONFIRM ALL FURNISHING QUANTITIES AND DIMENSIONS.
 2. FOR FURNISHING DETAILS, SEE SHEETS 246.
 3. PROVIDE STAINLESS STEEL TAMPER PROOF FASTENERS.
 4. INSTALL ANCHORS ACCORDING TO ARTICLE 509.06 OF THE STANDARD SPECIFICATIONS.

- LANDSCAPE NOTES:**
1. FOR LANDSCAPE DETAILS, SEE SHEET 242.
 2. ALL PLANTINGS SHALL FOLLOW IDOT BUREAU OF DESIGN & ENVIRONMENT MANUAL - CHAPTER 59 - LANDSCAPE DESIGN AND EROSION CONTROL 59-7.09 PLANTING IN URBANIZED AREA FOR SIGHT DISTANCES.
 3. ALL AREAS TO BE LANDSCAPED SHALL BE EXCAVATED TO THE DEPTH APPROPRIATE FOR THE PROPOSED PLANTINGS.
 4. ANY AREAS OUTSIDE OF THE LANDSCAPE BEDS THAT ARE DISTURBED SHALL BE REPLACED IN KIND.



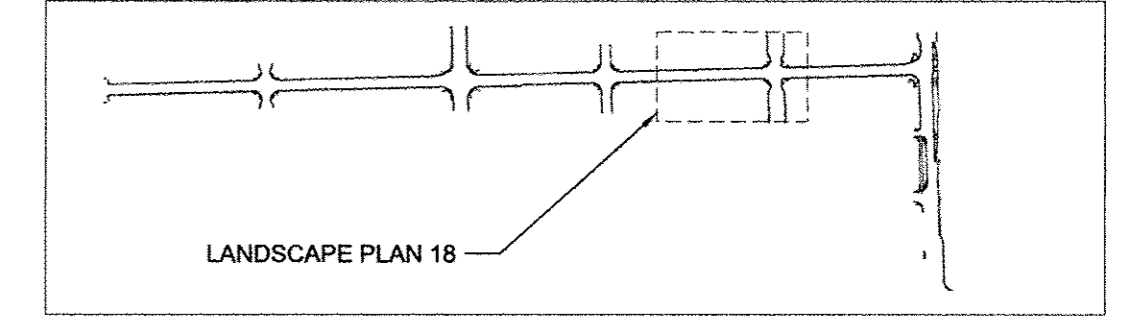
1 LANDSCAPE PLAN 18
1" = 20'-0"



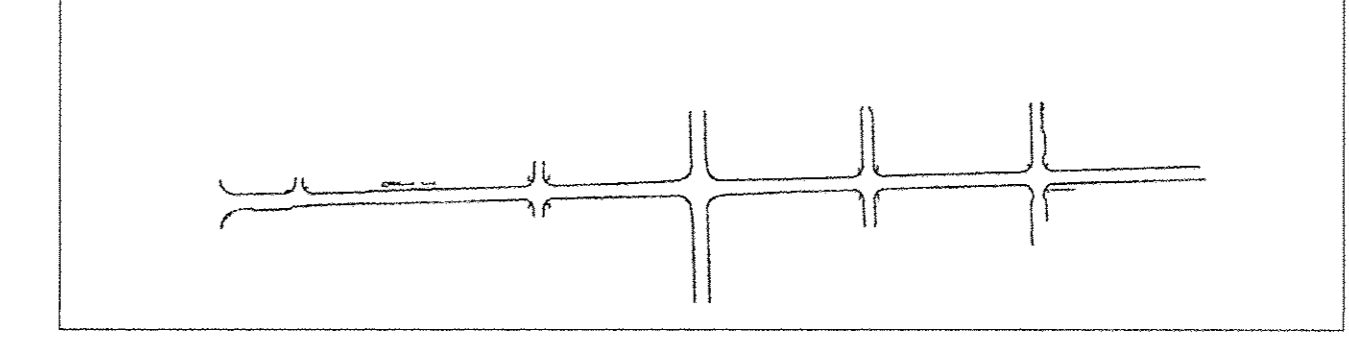
PLANT SCHEDULE

CODE	PAY ITEM	QUANTITY	BOTANICAL NAME	COMMON NAME	SIZE	ROOT	REMARKS
GB	A2004568	2	Gingko biloba 'Magyar'	Magyar Ginkgo	3'-4" cal	B&B	matching heads
GT	A2004617	6	Gleditsia triacanthos var. inermis	Street Keeper Honeylocust	3'-4" cal	B&B	matching heads
NS	XX006570	3	Nyssa sylvatica 'JFS-red'	Firestarter Tupelo	3'-4" cal	B&B	matching heads

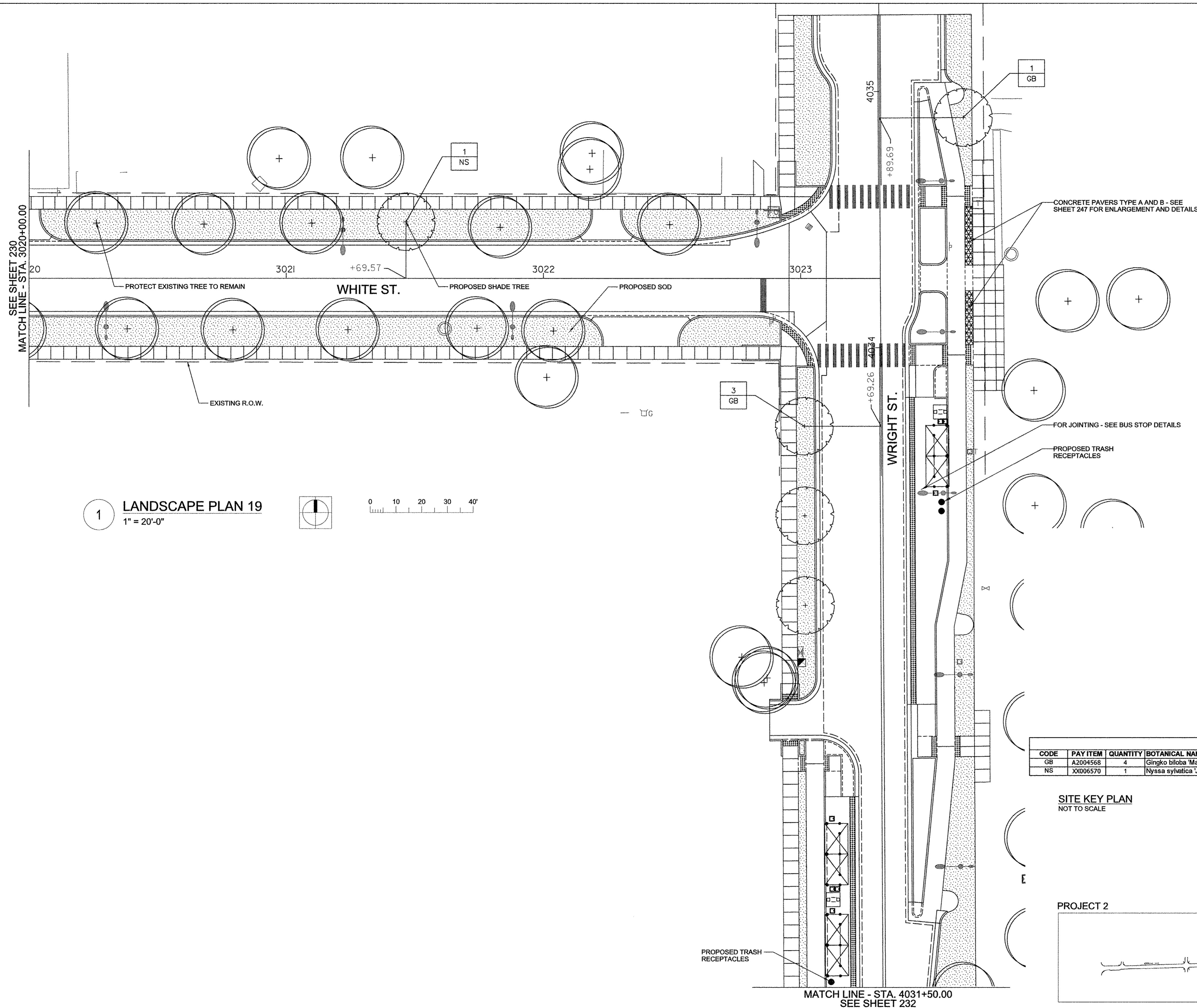
SITE KEY PLAN
NOT TO SCALE



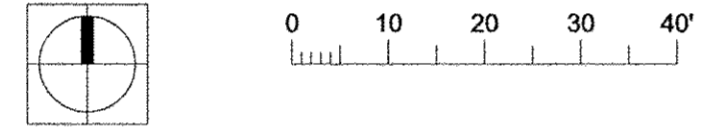
PROJECT 2



site design group, ltd.



1 LANDSCAPE PLAN 19
1" = 20'-0"



GENERAL NOTES:

1. COMPLY WITH ALL APPLICABLE FEDERAL, STATE AND LOCAL CODES AND ORDINANCES FOR ALL WORK AND OPERATIONS.
2. KEEP ALL AREAS CLEAN, NEAT AND ORDERLY AT ALL TIMES. CLEAR OF RUBBISH AND DEBRIS. LEGALLY DISPOSE OF ALL MATERIALS REMOVED FROM THE SITE.
3. PROTECT STRUCTURES, UTILITIES, SIDEWALKS, PAVEMENTS, FENCING, FURNISHINGS AND PLANTINGS. TREES AND LAWNS FROM DAMAGE CAUSED BY SETTLEMENT, LATERAL MOVEMENT, UNDERMINING, WASHOUTS, AND OTHER HAZARDS CREATED BY SITE IMPROVEMENTS. IF ANY DAMAGE OCCURS, REPAIR TO ORIGINAL CONDITION AT NO ADDITIONAL COST.
4. PROTECT AND/OR RESTORE EXISTING LAWN TO EXCELLENT CONDITION WITH TOPSOIL AND SOD.
5. VERIFY DIMENSIONS IN FIELD.
6. COORDINATE WORK WITH ALL OTHER TRADES.

PAVING NOTES:

1. INSTALL ALL PAVING TO BE SMOOTH AND CONTINUOUS WITHOUT KINKS OR ABRUPT CHANGES.
2. MATCH LINE AND GRADE OF PAVEMENT, LAWN AND PLANTING AREAS TO EXISTING ADJACENT AREAS.
3. GRADE ALL PAVED SURFACES TO A MAXIMUM 5% SLOPE WITH A MAXIMUM CROSS SLOPE OF 2% AND A MINIMUM SLOPE OF 0.5%.
4. ADJUST UTILITY STRUCTURES TO MEET FINISH GRADE.
5. LAYOUT CONTROL JOINTS AT A MAX 8' O.C. AND EXPANSION JOINTS AT A MAX 30' O.C. UNLESS OTHERWISE NOTED. IF PAVEMENT IS ARCHED, LAYOUT CONTROL JOINTS EQUALLY ALONG LENGTH OF ARC AND PERPENDICULAR TO CENTERLINE OF ARC UNLESS OTHERWISE NOTED. CONTROL JOINTS ARE TO BE TOOLED WITH A LIGHT BROOM FINISH.

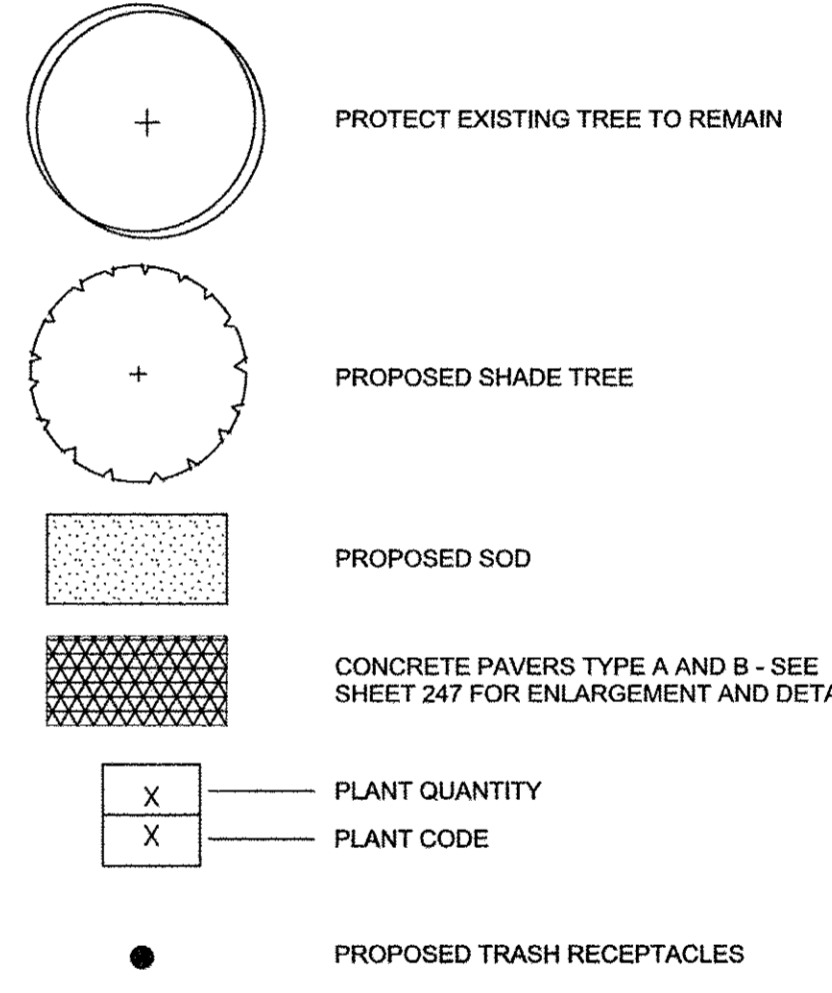
FURNISHING NOTES:

1. CONFIRM ALL FURNISHING QUANTITIES AND DIMENSIONS.
2. FOR FURNISHING DETAILS, SEE SHEETS 246.
3. PROVIDE STAINLESS STEEL TAMPER PROOF FASTENERS.
4. INSTALL ANCHORS ACCORDING TO ARTICLE 509.06 OF THE STANDARD SPECIFICATIONS.

LANDSCAPE NOTES:

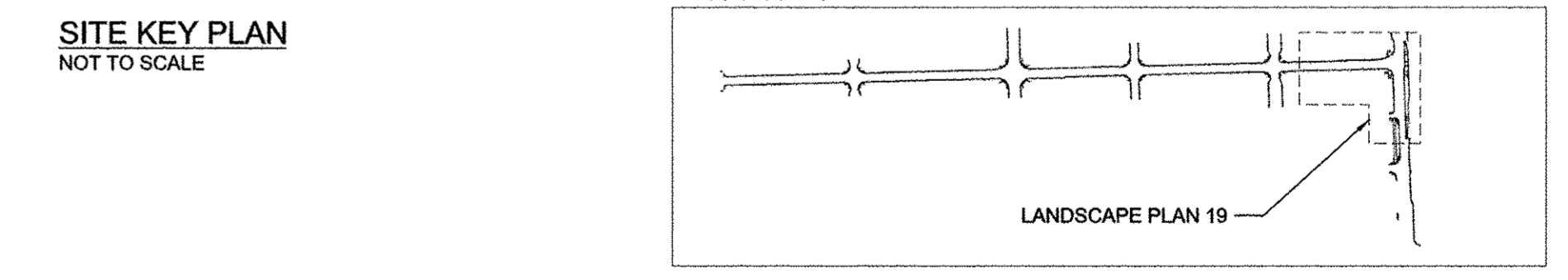
1. FOR LANDSCAPE DETAILS, SEE SHEET 242.
2. ALL PLANTINGS SHALL FOLLOW IDOT BUREAU OF DESIGN & ENVIRONMENT MANUAL - CHAPTER 59 - LANDSCAPE DESIGN AND EROSION CONTROL 59-7.09 PLANTING IN URBANIZED AREA FOR SIGHT DISTANCES.
3. ALL AREAS TO BE LANDSCAPED SHALL BE EXCAVATED TO THE DEPTH APPROPRIATE FOR THE PROPOSED PLANTINGS.
4. ANY AREAS OUTSIDE OF THE LANDSCAPE BEDS THAT ARE DISTURBED SHALL BE REPLACED IN KIND.

LEGEND

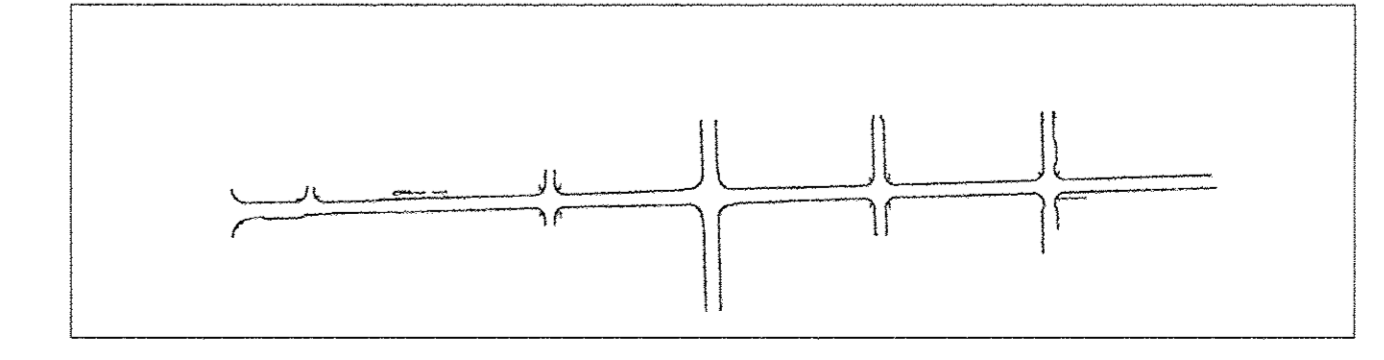


PLANT SCHEDULE							
CODE	PAY ITEM	QUANTITY	BOTANICAL NAME	COMMON NAME	SIZE	ROOT	REMARKS
GB	A2094568	4	Gingko biloba 'Magyar'	Magyar Gingko	3"-4" cal	B&B	matching heads
NS	XX006570	1	Nyssa sylvatica 'JFS-red'	Firestarter Tupelo	3"-4" cal	B&B	matching heads

SITE KEY PLAN
NOT TO SCALE



PROJECT 2



UNIVERSITY OF ILLINOIS
COMPUTING APPLICATIONS BUILDING

SPRINGFIELD AVE.

STOUGHTON ST.

WRIGHT ST.

MATCH LINE - STA. 4031+50.00
SEE SHEET 231

GENERAL NOTES:

1. COMPLY WITH ALL APPLICABLE FEDERAL, STATE AND LOCAL CODES AND ORDINANCES FOR ALL WORK AND OPERATIONS.
2. KEEP ALL AREAS CLEAN, NEAT AND ORDERLY AT ALL TIMES. CLEAR OF RUBBISH AND DEBRIS. LEGALLY DISPOSE OF ALL MATERIALS REMOVED FROM THE SITE.
3. PROTECT STRUCTURES, UTILITIES, SIDEWALKS, PAVEMENTS, FENCING, FURNISHINGS AND PLANTINGS, TREES AND LAWNS FROM DAMAGE CAUSED BY SETTLEMENT, LATERAL MOVEMENT, UNDERMINING, WASHOUTS, AND OTHER HAZARDS CREATED BY SITE IMPROVEMENTS. IF ANY DAMAGE OCCURS, REPAIR TO ORIGINAL CONDITION AT NO ADDITIONAL COST.
4. PROTECT AND/OR RESTORE EXISTING LAWN TO EXCELLENT CONDITION WITH TOPSOIL AND SOD.
5. VERIFY DIMENSIONS IN FIELD.
6. COORDINATE WORK WITH ALL OTHER TRADES.

PAVING NOTES:

1. INSTALL ALL PAVING TO BE SMOOTH AND CONTINUOUS WITHOUT KINKS OR ABRUPT CHANGES.
2. MATCH LINE AND GRADE OF PAVEMENT, LAWN AND PLANTING AREAS TO EXISTING ADJACENT AREAS.
3. GRADE ALL PAVED SURFACES TO A MAXIMUM 5% SLOPE WITH A MAXIMUM CROSS SLOPE OF 2% AND A MINIMUM SLOPE OF 0.5%.
4. ADJUST UTILITY STRUCTURES TO MEET FINISH GRADE.
5. LAYOUT CONTROL JOINTS AT A MAX 6' O.C. AND EXPANSION JOINTS AT A MAX 30' O.C. UNLESS OTHERWISE NOTED. IF PAVEMENT IS ARCED, LAYOUT CONTROL JOINTS EQUALLY ALONG LENGTH OF ARC AND PERPENDICULAR TO CENTERLINE OF ARC. UNLESS OTHERWISE NOTED, CONTROL JOINTS ARE TO BE TOOLED WITH A LIGHT BROOM FINISH.

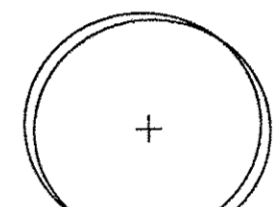
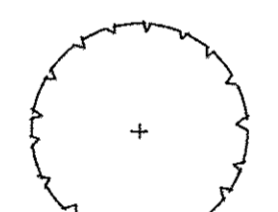
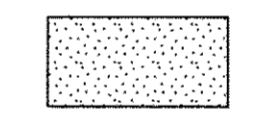
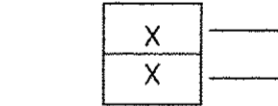


FURNISHING NOTES:

1. CONFIRM ALL FURNISHING QUANTITIES AND DIMENSIONS.
2. FOR FURNISHING DETAILS, SEE SHEETS 246.
3. PROVIDE STAINLESS STEEL TAMPER PROOF FASTENERS.
4. INSTALL ANCHORS ACCORDING TO ARTICLE 509.06 OF THE STANDARD SPECIFICATIONS.

LANDSCAPE NOTES:

1. FOR LANDSCAPE DETAILS, SEE SHEET 242.
2. ALL PLANTINGS SHALL FOLLOW IDOT BUREAU OF DESIGN & ENVIRONMENT MANUAL - CHAPTER 59 - LANDSCAPE DESIGN AND EROSION CONTROL 59-7.09 PLANTING IN URBANIZED AREA FOR SIGHT DISTANCES.
3. ALL AREAS TO BE LANDSCAPED SHALL BE EXCAVATED TO THE DEPTH APPROPRIATE FOR THE PROPOSED PLANTINGS.
4. ANY AREAS OUTSIDE OF THE LANDSCAPE BEDS THAT ARE DISTURBED SHALL BE REPLACED IN KIND.

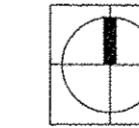
LEGEND

-  PROTECT EXISTING TREE TO REMAIN
-  PROPOSED SHADE TREE
-  PROPOSED SOD
-  PLANT QUANTITY
-  PLANT CODE
-  PROPOSED TRASH RECEPTACLE

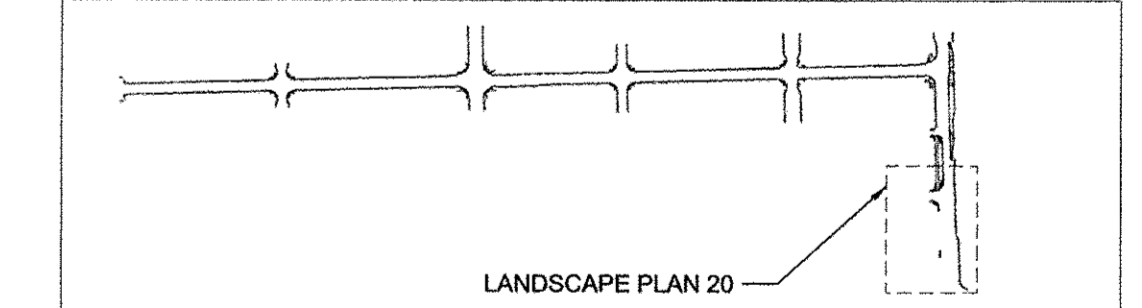
PLANT SCHEDULE							
CODE	PAY ITEM	QUANTITY	BOTANICAL NAME	COMMON NAME	SIZE	ROOT	REMARKS
GB	A2004568	2	Gingko biloba 'Magyar'	Magyar Ginkgo	3"-4" cal	B&B	matching heads
GT	A2004617	2	Gleditsia triacanthos var. inermis	Street Keeper Honeylocust	3"-4" cal	B&B	matching heads

SITE KEY PLAN

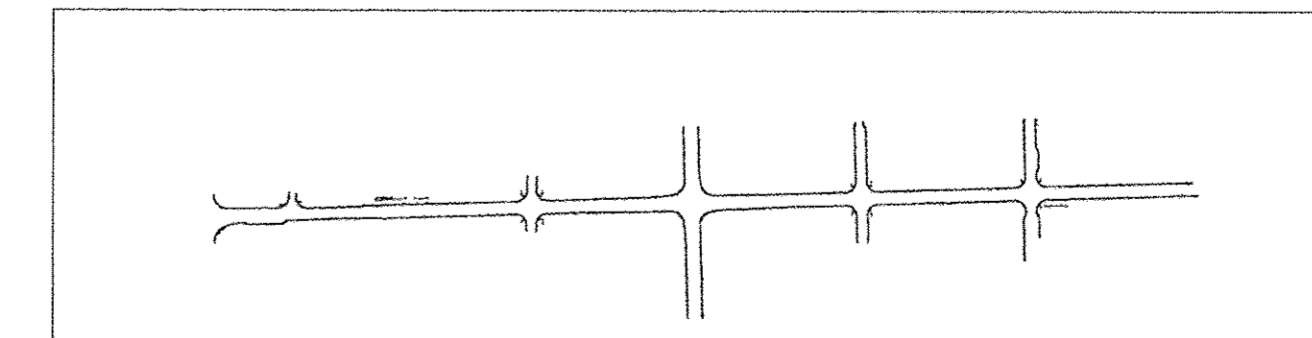
NOT TO SCALE



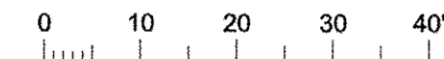
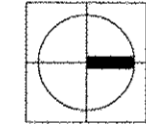
PROJECT 3



PROJECT 2



1 LANDSCAPE PLAN 20
1" = 20'-0"



Clark Dietz
ENGINEERS

site design group, ltd.

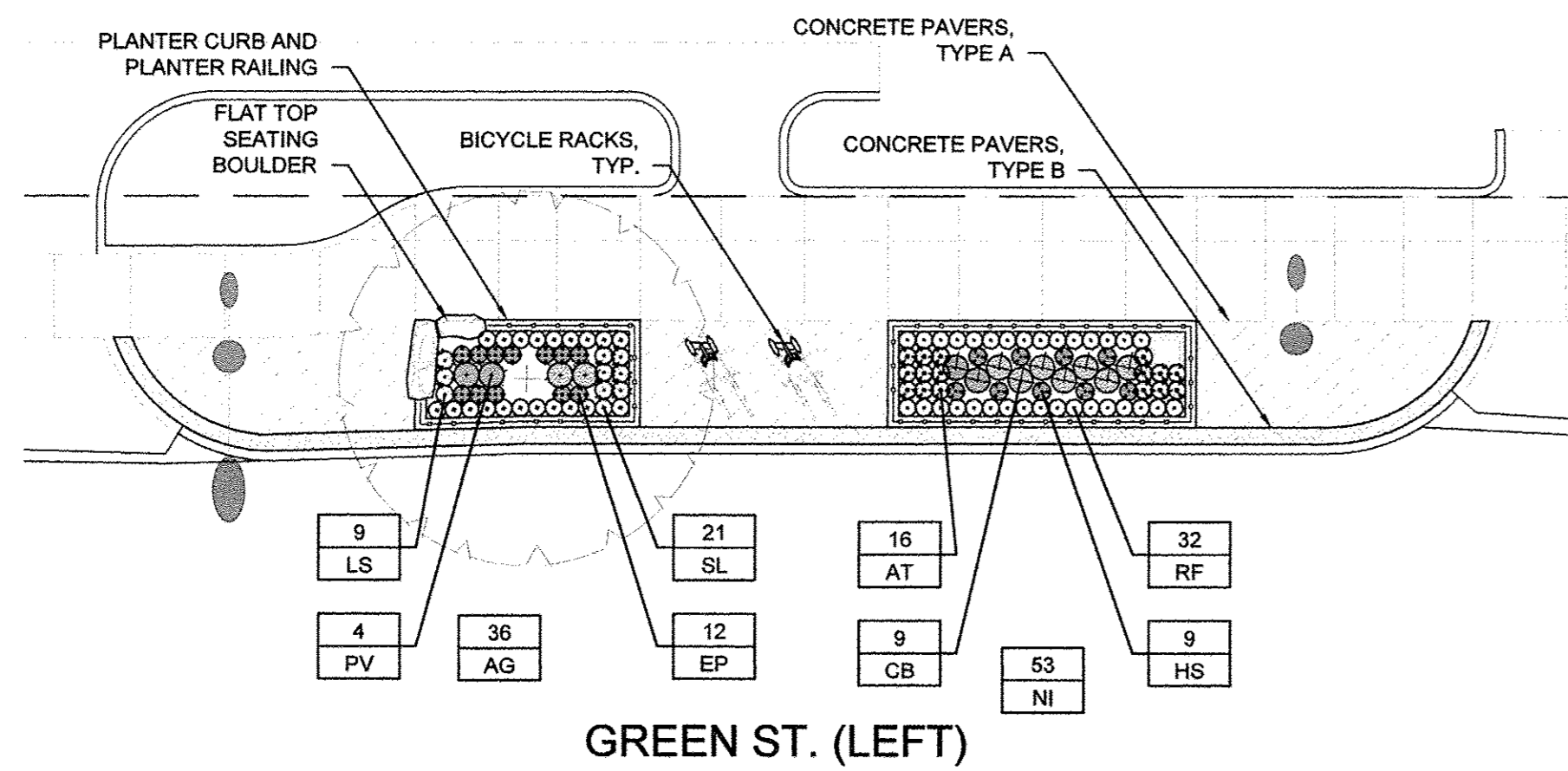
STATE OF ILLINOIS
DEPARTMENT OF TRANSPORTATION

LANDSCAPE PLANS
WRIGHT STREET - LANDSCAPE PLAN 20

F.A.U. RTE.	SECTION	COUNTY	TOTAL SHEETS	SHEET NO.
	15-00304-02-PV	CHAMPAIGN	412	232
MCORE PROJECT 3				
CONTRACT NO. 91540				
JOB NO. C-95-306-16 ILLINOIS FED. AID PROJECT T16-518(058)				

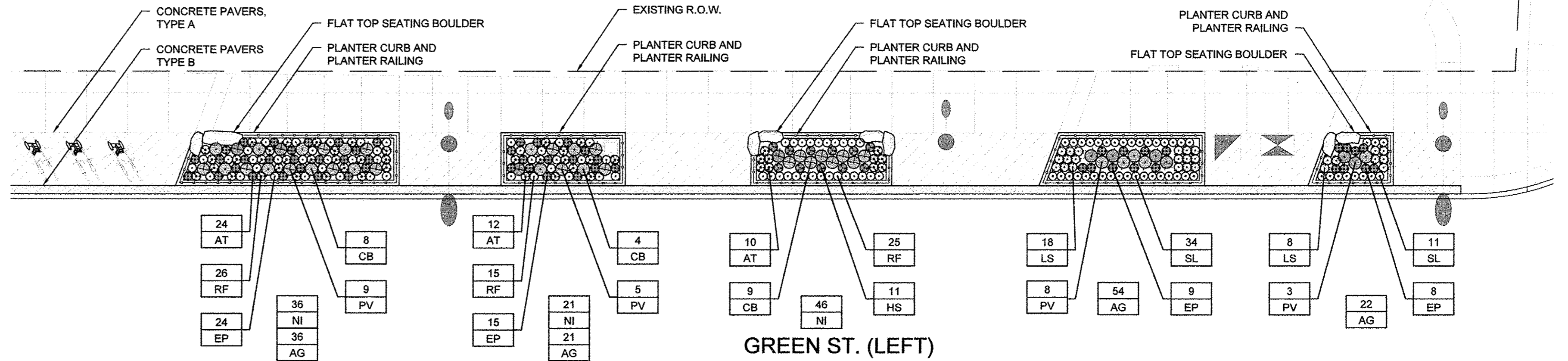
SCALE : 1"=20' SHEET NO. 232 OF 412 SHEETS STA. 4025+65.00 TO STA. 4031+50.00

FILE NAME = \$FILES	DESIGNED - BK	REVISED -
PLOT DATE = 3/11/2016 \$TIMES	DRAWN - JR	REVISED -
	CHECKED - BM	REVISED -
	DATE - MARCH 2016	REVISED -



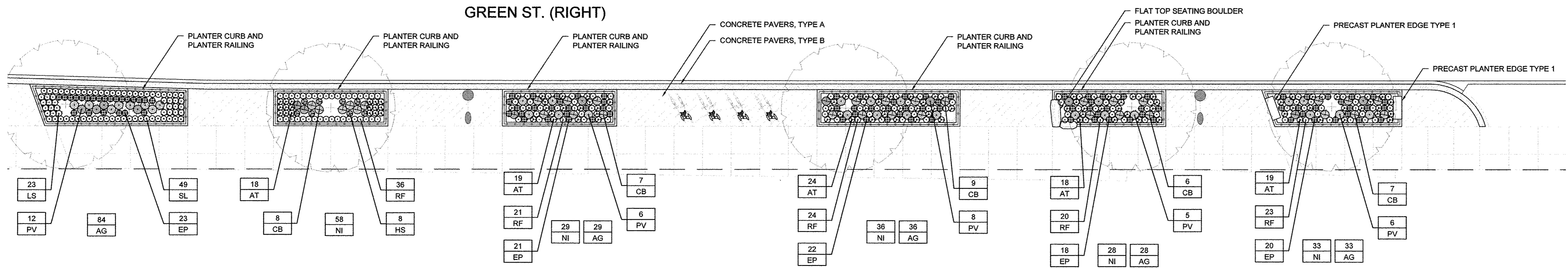
PLANTER 01: STA. 17 + 13.15 TO STA. 17 + 26.64
 PLANTER 02: STA. 17 + 41.49 TO STA. 17 + 59.99

1 PLANTER 01 & 02 PLAN
 1" = 10'-0"



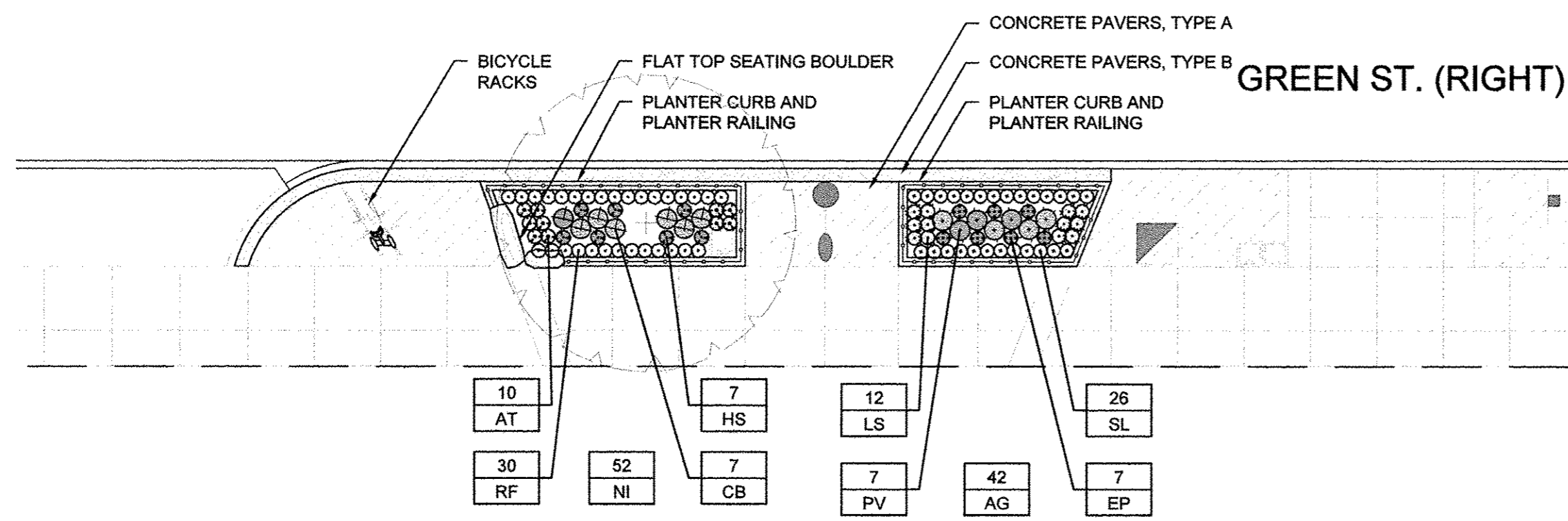
PLANTER 03: STA. 19 + 24.01 TO STA. 19 + 51.01 INTERPLANTED
 PLANTER 04: STA. 19 + 63.25 TO STA. 19 + 78.29 INTERPLANTED
 PLANTER 11: STA. 19 + 93.45 TO STA. 20 + 10.45
 PLANTER 12: STA. 20 + 28.23 TO STA. 20 + 48.23
 PLANTER 13: STA. 20 + 60.66 TO STA. 20 + 70.98

2 PLANTER 03, 04, 11, 12, & 13 PLAN
 1" = 10'-0"



PLANTER 05: STA. 16 + 89.35 TO STA. 17 + 17.00
 PLANTER 06: STA. 17 + 32.00 TO STA. 17 + 52.01
 PLANTER 07: STA. 17 + 72.00 TO STA. 17 + 92.00 INTERPLANTED
 PLANTER 08: STA. 18 + 27.00 TO STA. 18 + 52.10 INTERPLANTED
 PLANTER 09: STA. 18 + 68.16 TO STA. 18 + 88.10 INTERPLANTED
 PLANTER 10: STA. 19 + 4.73 TO STA. 19 + 29.28 INTERPLANTED

3 PLANTER 05, 06, 07, 08, 09, & 10 PLAN
 1" = 10'-0"



PLANTER 20: STA. 19 + 91.10 TO STA. 20 + 10.99
 PLANTER 21: STA. 20 + 22.52 TO STA. 20 + 38.52

4 PLANTER 20 & 21 PLAN
 1" = 10'-0"

LANDSCAPE NOTES:

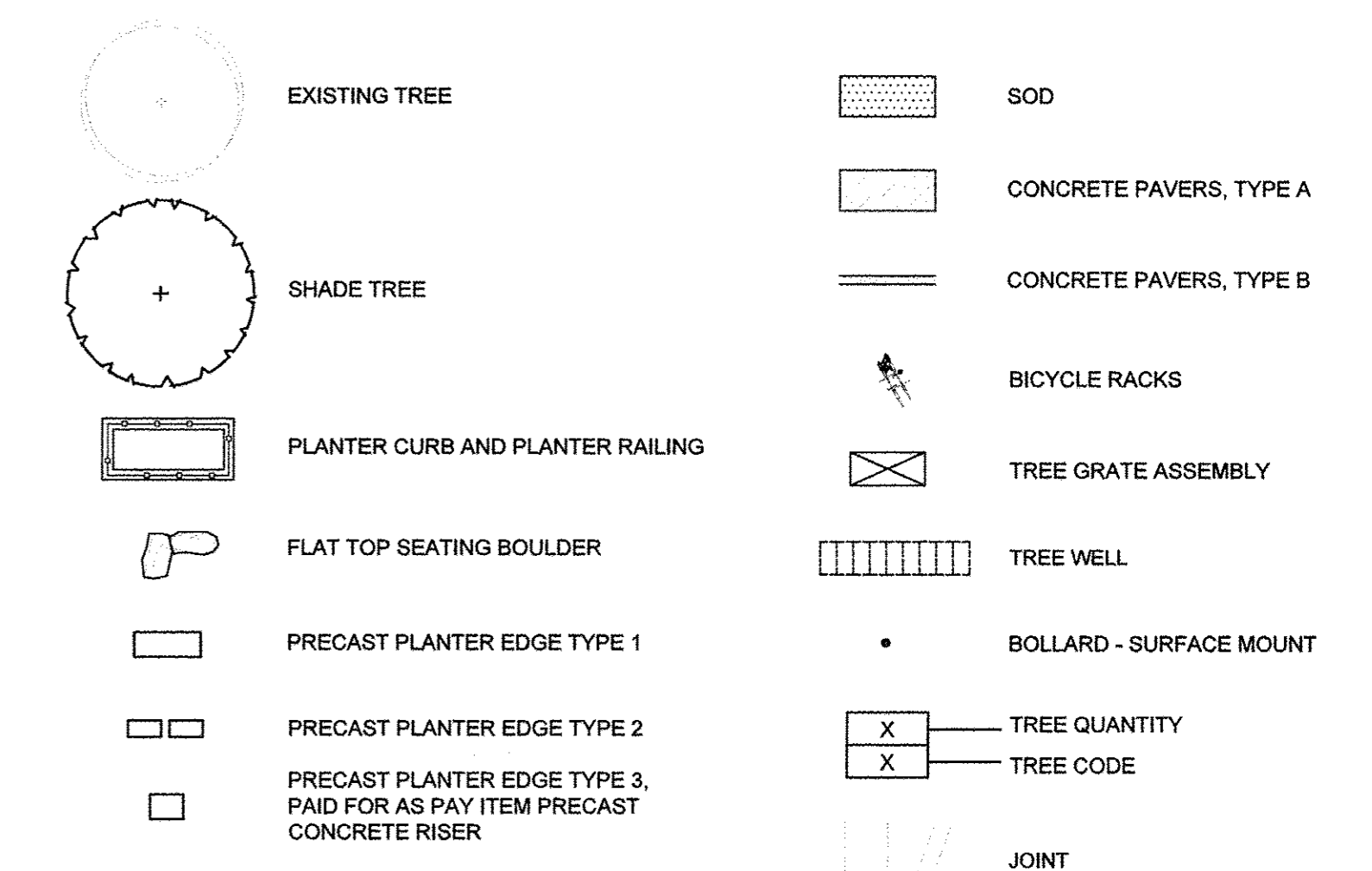
- PLANT ALL MIXED PLANTING BEDS AS SHOWN ON PLANS.
- CONTRACTOR IS RESPONSIBLE FOR RETURNING TO PLANT FALL BULBS IF BULB PLANTING SEASON IS OVER AT TIME OF PROPOSED INSTALLATION, COORDINATE WITH AOR.
- FOR LANDSCAPE DETAILS, SEE SHEET 242.
- ALL PLANTINGS SHALL FOLLOW IDOT BUREAU OF DESIGN & ENVIRONMENT MANUAL - CHAPTER 59 - LANDSCAPE DESIGN AND EROSION CONTROL 59-7.09 PLANTING IN URBANIZED AREA FOR SIGHT DISTANCES.
- ALL AREAS TO BE LANDSCAPED SHALL BE EXCAVATED TO THE DEPTH APPROPRIATE FOR THE PROPOSED PLANTINGS.
- PLANT QUANTITIES SHOWN ON DRAWINGS ARE APPROXIMATE. CONTRACTOR SHALL PROVIDE PLANT MATERIALS SUFFICIENT TO COVER AREAS SHOWN ON PLANS AT THE SPACINGS INDICATED.
- ANY AREAS OUTSIDE OF THE LANDSCAPE BEDS THAT ARE DISTURBED SHALL BE REPLACED IN KIND.

FENCING NOTES:

- CONFIRM ALL FENCING QUANTITIES AND DIMENSIONS.
- FOR FENCING DETAILS, SEE SHEETS 244 AND 245.
- PROVIDE STAINLESS STEEL TAMPER PROOF FASTENERS.

PLANT SCHEDULE - SHEET TOTAL							
PERENNIAL PLANTS, ORNAMENTAL TYPE, GALLON POT - K0012990	CODE	QUANTITY	BOTANICAL NAME	COMMON NAME	SIZE	ROOT	REMARK
AT	170	170	Asclepias tuberosa	Butterfly Weed	gal	pot	12" o.c.
CB	81	81	Calamagrostis brachytricha	Korean Feather Reed Grass	gal	pot	18" o.c.
EP	179	179	Echinacea Purpurea	Purple Coneflower	gal	pot	12" o.c.
HS	37	37	Helenium 'Sahin's Early Flowerer'	Sneezeweed	gal	pot	12" o.c.
LS	70	70	Liatris spicata 'Kobold'	Blazing Star	gal	pot	12" o.c.
PV	73	73	Panicum virgatum 'Shenandoah'	Shenandoah Switch Grass	gal	pot	18" o.c.
RF	227	227	Rudbeckia fulgida 'City Garden'	Black Eyed Susan	gal	pot	12" o.c.
SL	141	141	Stokesia laevis 'Klaus Jaitto'	Stokes' Aster	gal	pot	12" o.c.
PERENNIAL PLANTS, BULB TYPE - K0012970							
AG	421	421	Allium Globemaster	Flowering Onion	5-6 cm	bulb	interplanted
NI	356	356	Narcissus 'Ice Follies'	Daffodil	5-6 cm	bulb	interplanted

LEGEND



Clark Dietz
ENGINEERS

site design group ltd

FILE NAME = 7186_planter.dwg
 PLOT DATE = 2016-03-15 9:03 AM

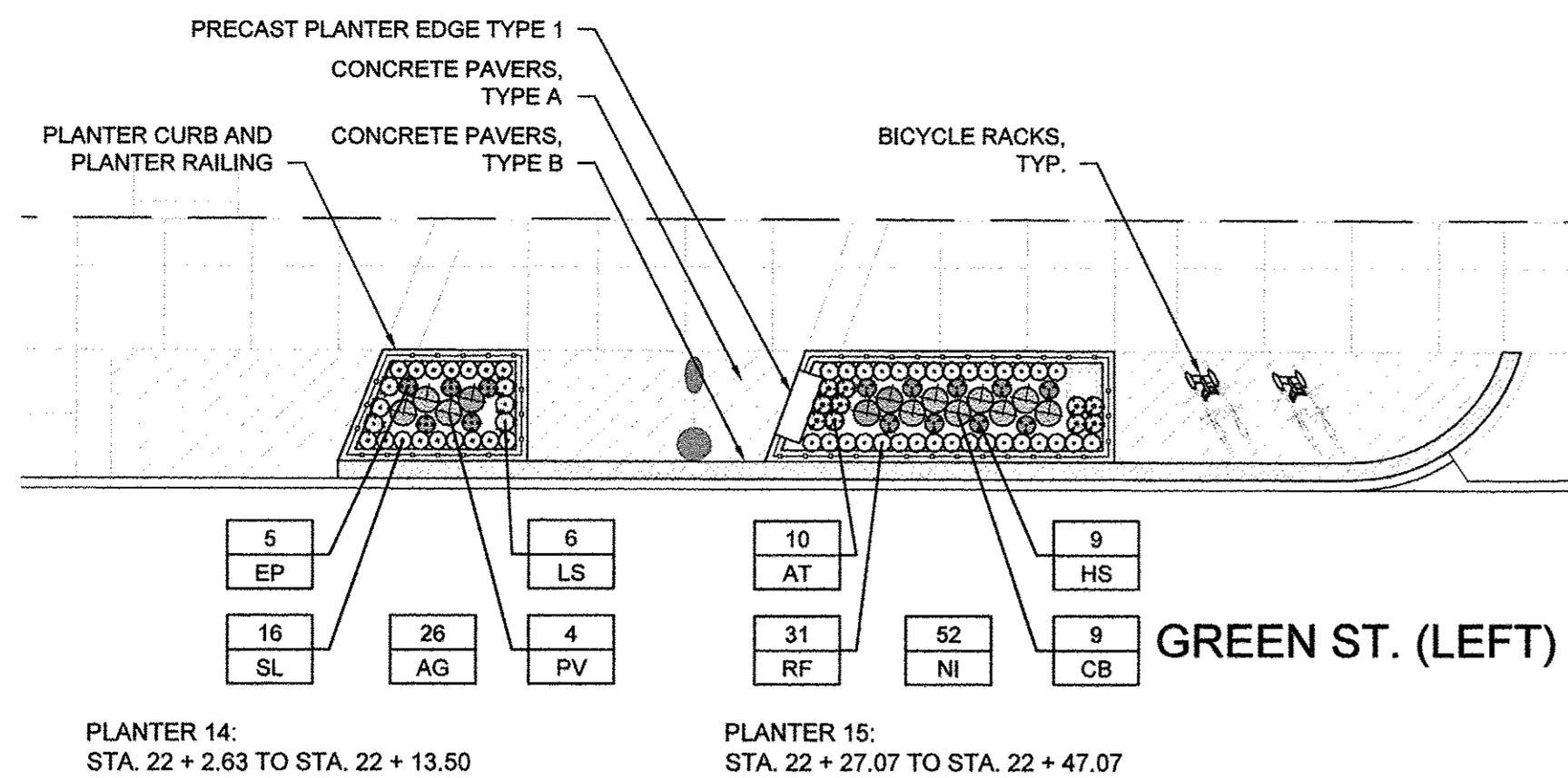
DESIGNED — BK
 DRAWN — DZ/JT/JR
 CHECKED — RS, BM
 DATE — MARCH 2016

REVISED —
 REVISED —
 REVISED —
 REVISED —

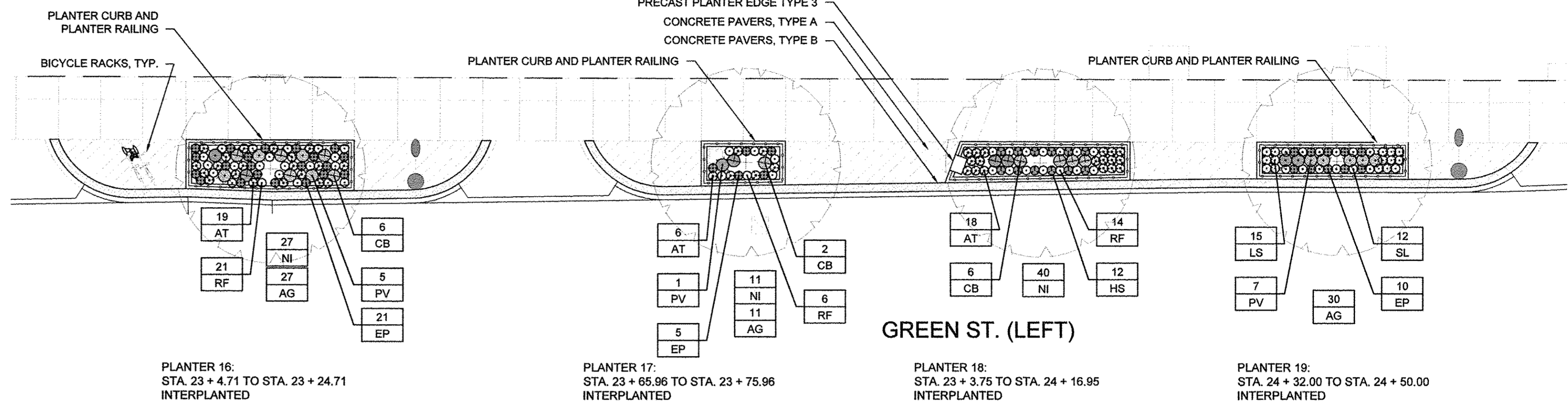
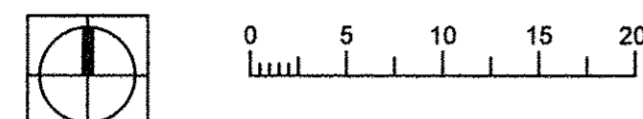
STATE OF ILLINOIS
 DEPARTMENT OF TRANSPORTATION

LANDSCAPE PLANS
 PLANTER ENLARGEMENT PLANS
 SCALE : 1"=10'
 SHEET NO. 233 OF 412 SHEETS
 STA. 17+13.15 TO STA. 20+70.98

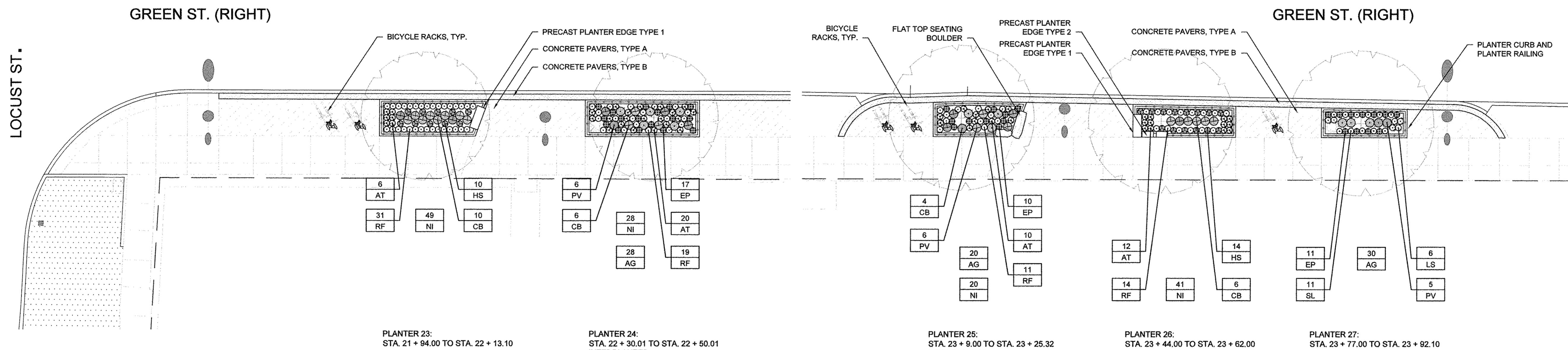
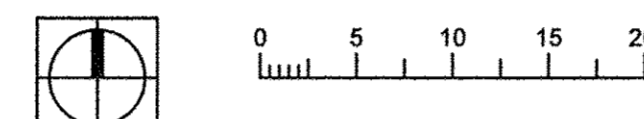
F.A.U. RTE.	SECTION	COUNTY	TOTAL SHEETS	SHEET NO.
7126	15-00304-02-PV	CHAMPAIGN	412	233
MCORE PROJECT 2			CONTRACT NO. 91540	
JOB NO. C-95-306-16 ILLINOIS FED. AID PROJECT TIG-5181(056)				



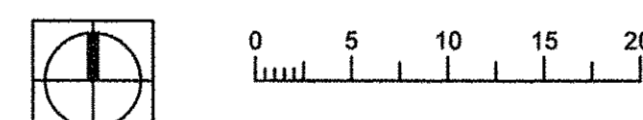
1 PLANTER 14 & 15 PLAN
1" = 10'-0"



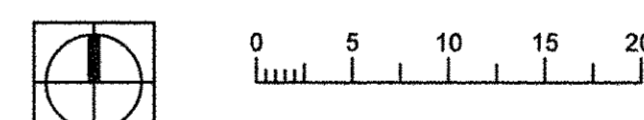
2 PLANTER 16, 17, 18 & 19 PLAN
1" = 10'-0"



3 PLANTER 22 (NOT USED), 23 & 24 PLAN
1" = 10'-0"



4 PLANTER 25, 26 & 27 PLAN
1" = 10'-0"



LANDSCAPE NOTES:

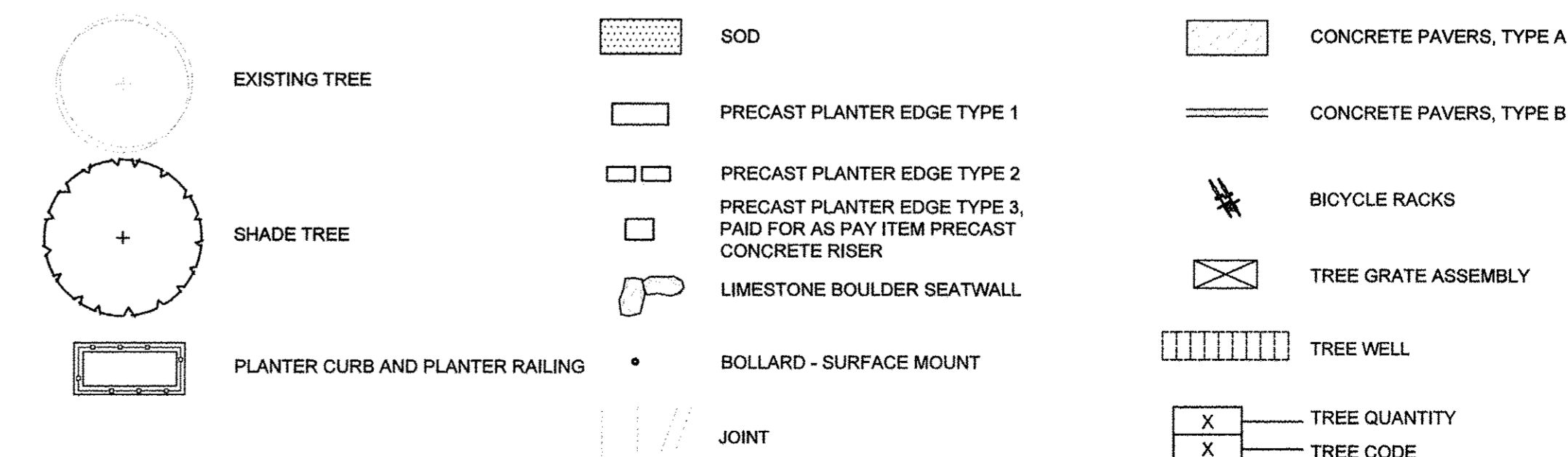
1. PLANT ALL MIXED PLANTING BEDS AS SHOWN ON PLANS.
2. CONTRACTOR IS RESPONSIBLE FOR RETURNING TO PLANT FALL BULBS IF BULB PLANTING SEASON IS OVER AT TIME OF PROPOSED INSTALLATION, COORDINATE WITH AOR.
3. FOR LANDSCAPE DETAILS, SEE SHEET 242.
4. ALL PLANTINGS SHALL FOLLOW IDOT BUREAU OF DESIGN & ENVIRONMENT MANUAL - CHAPTER 59 - LANDSCAPE DESIGN AND EROSION CONTROL 59-7.09 PLANTING IN URBANIZED AREA FOR SIGHT DISTANCES.
5. ALL AREAS TO BE LANDSCAPED SHALL BE EXCAVATED TO THE DEPTH APPROPRIATE FOR THE PROPOSED PLANTINGS.
6. PLANT QUANTITIES SHOWN ON DRAWINGS ARE APPROXIMATE. CONTRACTOR SHALL PROVIDE PLANT MATERIALS SUFFICIENT TO COVER AREAS SHOWN ON PLANS AT THE SPACINGS INDICATED.
7. ANY AREAS OUTSIDE OF THE LANDSCAPE BEDS THAT ARE DISTURBED SHALL BE REPLACED IN KIND.

FENCING NOTES:

1. CONFIRM ALL FENCING QUANTITIES AND DIMENSIONS.
2. FOR FENCING DETAILS, SEE SHEETS 244 AND 245.
3. PROVIDE STAINLESS STEEL TAMPER PROOF FASTENERS.

PLANT SCHEDULE - SHEET TOTAL						
UNDERSTORY PLANTS						
CODE	QUANTITY	BOTANICAL NAME	COMMON NAME	SIZE	ROOT	REMARK
AT	102	Asclepias tuberosa	Butterfly Weed	gal	pot	12" o.c.
CB	49	Calamagrostis brachytricha	Korean Feather Reed Grass	gal	pot	18" o.c.
EP	78	Echinacea Purpurea	Purple Coneflower	gal	pot	12" o.c.
HS	45	Helenium 'Sahin's Early Flowerer'	Sneezeweed	gal	pot	12" o.c.
LS	27	Liatris spicata 'Kobold'	Blazing Star	gal	pot	12" o.c.
PV	33	Panicum virgatum 'Shenandoah'	Shenandoah Switch Grass	gal	pot	18" o.c.
RF	148	Rudbeckia fulgida 'City Garden'	Black Eyed Susan	gal	pot	12" o.c.
SL	35	Stokesia laevis 'Klaus Jelitto'	Stockes' Aster	gal	pot	12" o.c.
BULBS						
AG	165	Allium Globemaster	Flowering Onion	5-6 cm	bulb	interplanted
NI	288	Narcissus 'Ice Follies'	Daffodil	5-6 cm	bulb	interplanted

LEGEND



FILE NAME = 7186_planter.dwg
PLOT DATE = 2016-03-15 9:03 AM

DESIGNED — BK
DRAWN — DZ/JT/JR
CHECKED — RS, BM
DATE — MARCH 2016

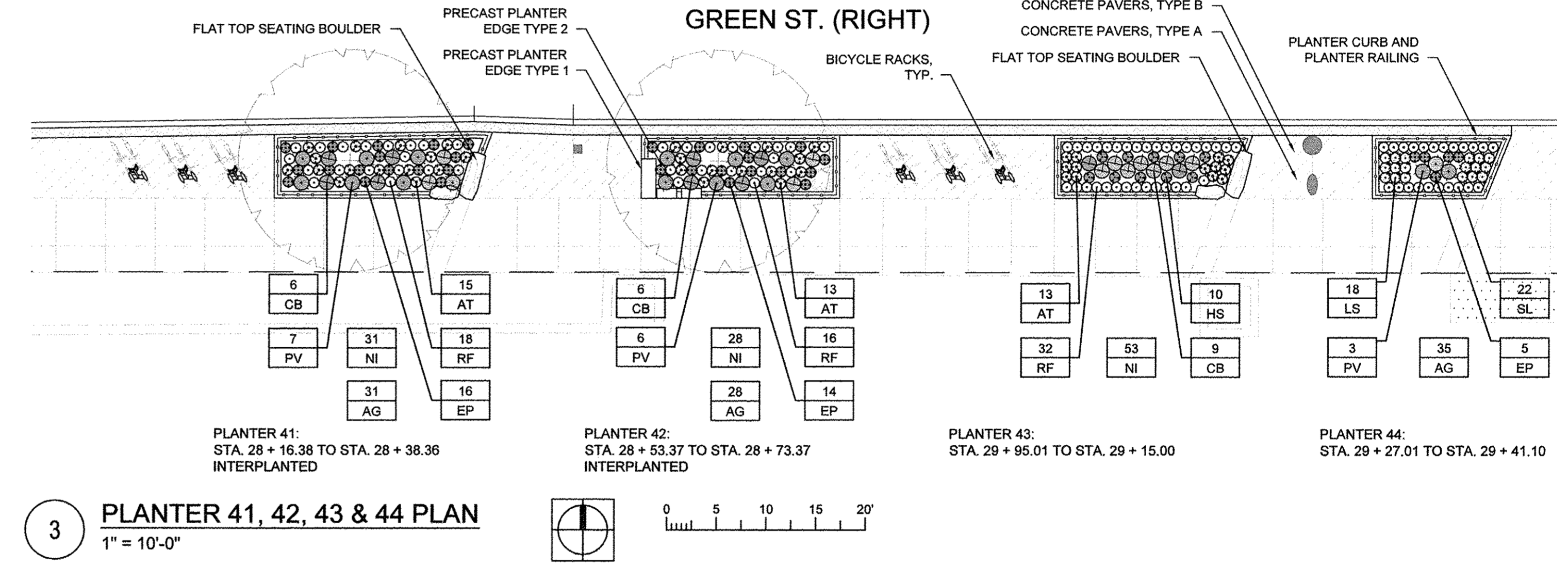
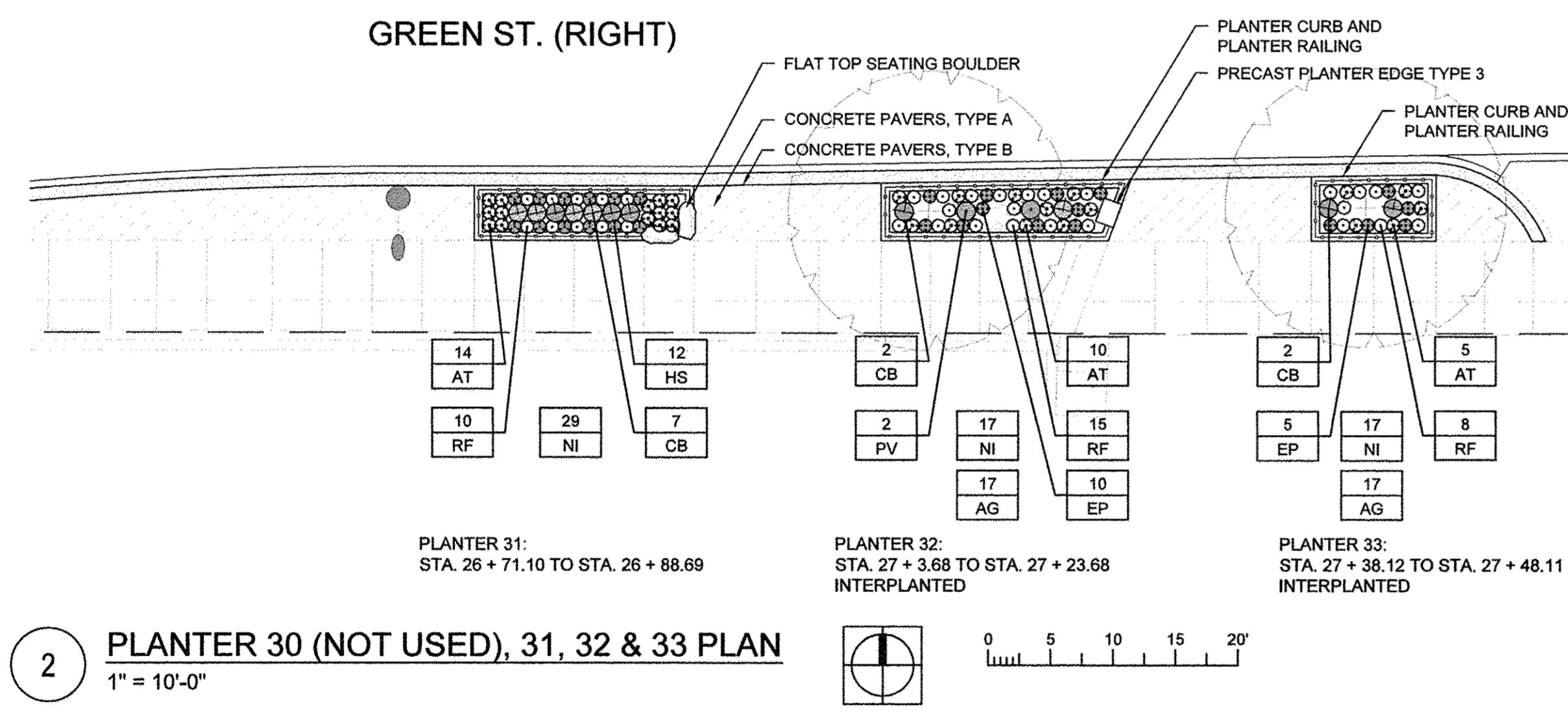
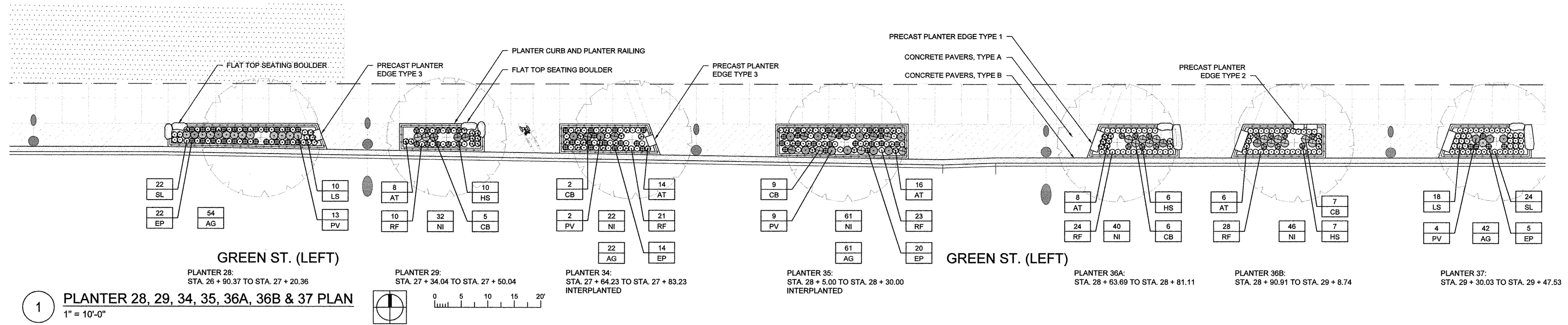
REVISED —
REVISED —
REVISED —
REVISED —

STATE OF ILLINOIS
DEPARTMENT OF TRANSPORTATION

LANDSCAPE PLANS
PLANTER ENLARGEMENT PLANS

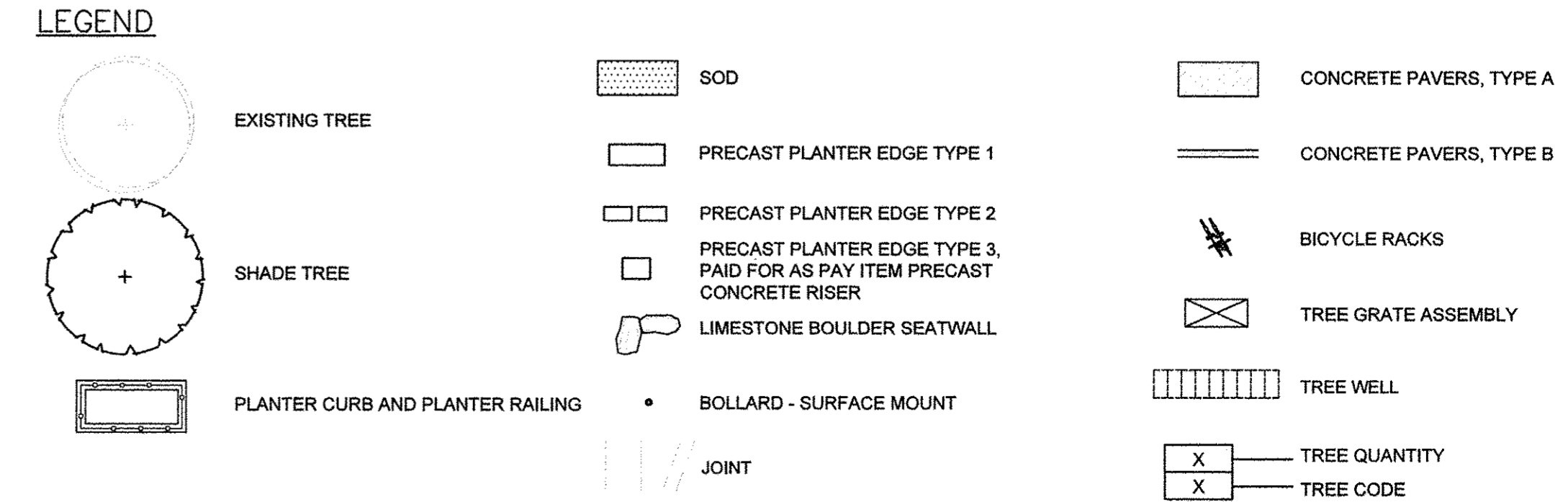
SCALE : 1"=10'
SHEET NO. 234 OF 412 SHEETS
STA. 22+2.63 TO STA. 24+50.00

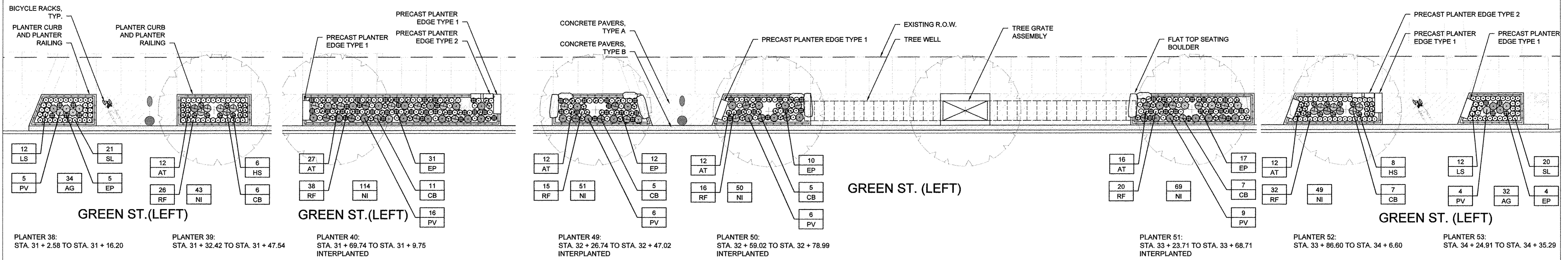
F.A.U. RTE.	SECTION	COUNTY	TOTAL SHEETS	SHEET NO.
7126	15-00304-02-PV	CHAMPAIGN	412	234
MCORE PROJECT 2		CONTRACT NO. 91540		
JOB NO. C-95-306-16 ILLINOIS FED. AID PROJECT TIG-5181(058)				



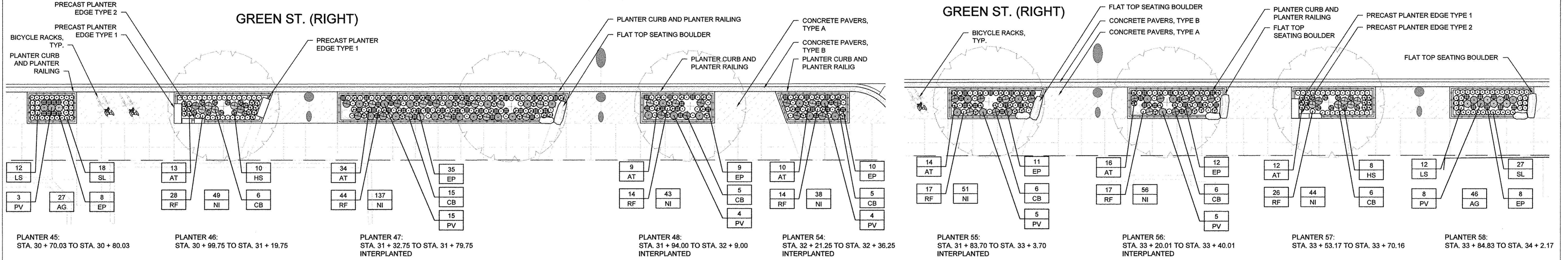
- LANDSCAPE NOTES:**
- PLANT ALL MIXED PLANTING BEDS AS SHOWN ON PLANS.
 - CONTRACTOR IS RESPONSIBLE FOR RETURNING TO PLANT FALL BULBS IF BULB PLANTING SEASON IS OVER AT TIME OF PROPOSED INSTALLATION, COORDINATE WITH AOR.
 - FOR LANDSCAPE DETAILS, SEE SHEET 242.
 - ALL PLANTINGS SHALL FOLLOW IDOT BUREAU OF DESIGN & ENVIRONMENT MANUAL - CHAPTER 59 - LANDSCAPE DESIGN AND EROSION CONTROL 59-7.09 PLANTING IN URBANIZED AREA FOR SIGHT DISTANCES.
 - ALL AREAS TO BE LANDSCAPED SHALL BE EXCAVATED TO THE DEPTH APPROPRIATE FOR THE PROPOSED PLANTINGS.
 - PLANT QUANTITIES SHOWN ON DRAWINGS ARE APPROXIMATE. CONTRACTOR SHALL PROVIDE PLANT MATERIALS SUFFICIENT TO COVER AREAS SHOWN ON PLANS AT THE SPACINGS INDICATED.
 - ANY AREAS OUTSIDE OF THE LANDSCAPE BEDS THAT ARE DISTURBED SHALL BE REPLACED IN KIND.
- FENCING NOTES:**
- CONFIRM ALL FENCING QUANTITIES AND DIMENSIONS.
 - FOR FENCING DETAILS, SEE SHEETS 244 AND 245.
 - PROVIDE STAINLESS STEEL TAMPER PROOF FASTENERS.

PLANT SCHEDULE - SHEET TOTAL						
CODE	QUANTITY	BOTANICAL NAME	COMMON NAME	SIZE	ROOT	REMARK
AT	122	<i>Asclepias tuberosa</i>	Butterfly Weed	gal	pot	12" o.c.
CB	61	<i>Calamagrostis brachytricha</i>	Korean Feather Reed Grass	gal	pot	18" o.c.
EP	111	<i>Echinacea Purpurea</i>	Purple Coneflower	gal	pot	12" o.c.
HS	45	<i>Helenium 'Sahin's Early Flowerer'</i>	Sneezeweed	gal	pot	12" o.c.
LS	46	<i>Liatris spicata 'Kobold'</i>	Blazing Star	gal	pot	12" o.c.
PV	46	<i>Panicum virgatum 'Shenandoah'</i>	Shenandoah Switch Grass	gal	pot	18" o.c.
RF	204	<i>Rudbeckia fulgida 'City Garden'</i>	Black Eyed Susan	gal	pot	12" o.c.
SL	68	<i>Stokesia laevis 'Klaus Jellitto'</i>	Stockes' Aster	gal	pot	12" o.c.
BULBS						
AG	353	<i>Allium Globemaster</i>	Flowering Onion	5-6 cm	bulb	interplanted
NI	330	<i>Narcissus 'Ice Follies'</i>	Daffodil	5-6 cm	bulb	interplanted





1 **PLANTER 38, 39, 40, 49, 50, 51, 52 & 53 PLAN**
 1" = 10'-0"



2 **PLANTER 45, 46, 47, 48 & 54 PLAN** 1" = 10'-0"
 3 **PLANTER 55, 56, 57 & 58 PLAN** 1" = 10'-0"

LANDSCAPE NOTES:

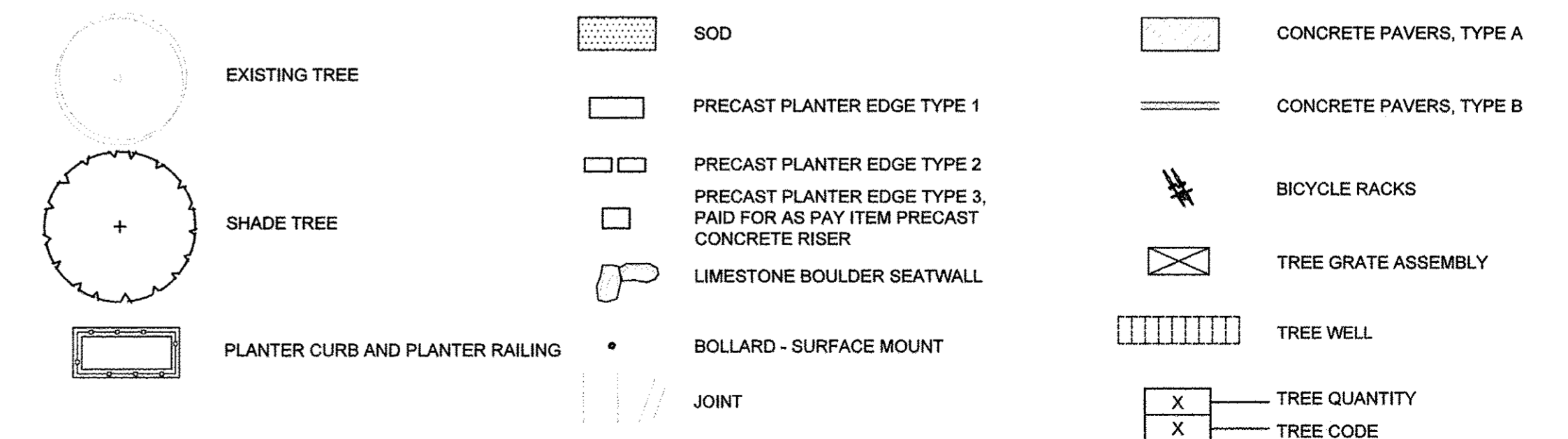
- PLANT ALL MIXED PLANTING BEDS AS SHOWN ON PLANS.
- CONTRACTOR IS RESPONSIBLE FOR RETURNING TO PLANT FALL BULBS IF BULB PLANTING SEASON IS OVER AT TIME OF PROPOSED INSTALLATION, COORDINATE WITH AOR.
- FOR LANDSCAPE DETAILS, SEE SHEET 242.
- ALL PLANTINGS SHALL FOLLOW IDOT BUREAU OF DESIGN & ENVIRONMENT MANUAL - CHAPTER 59 - LANDSCAPE DESIGN AND EROSION CONTROL 59-7.09 PLANTING IN URBANIZED AREA FOR SIGHT DISTANCES.
- ALL AREAS TO BE LANDSCAPED SHALL BE EXCAVATED TO THE DEPTH APPROPRIATE FOR THE PROPOSED PLANTINGS.
- PLANT QUANTITIES SHOWN ON DRAWINGS ARE APPROXIMATE. CONTRACTOR SHALL PROVIDE PLANT MATERIALS SUFFICIENT TO COVER AREAS SHOWN ON PLANS AT THE SPACINGS INDICATED.
- ANY AREAS OUTSIDE OF THE LANDSCAPE BEDS THAT ARE DISTURBED SHALL BE REPLACED IN KIND.

FENCING NOTES:

- CONFIRM ALL FENCING QUANTITIES AND DIMENSIONS.
- FOR FENCING DETAILS, SEE SHEETS 244 AND 245.
- PROVIDE STAINLESS STEEL TAMPER PROOF FASTENERS.

PLANT SCHEDULE - SHEET TOTAL						
UNDERSTORY PLANTS						
CODE	QUANTITY	BOTANICAL NAME	COMMON NAME	SIZE	ROOT	REMARK
AT	199	<i>Asclepias tuberosa</i>	Butterfly Weed	gal	pot	12" o.c.
CB	90	<i>Calamagrostis brachytricha</i>	Korean Feather Reed Grass	gal	pot	18" o.c.
EP	172	<i>Echinacea Purpurea</i>	Purple Coneflower	gal	pot	12" o.c.
HS	32	<i>Helenium 'Sahin's Early Flowerer'</i>	Sneezeweed	gal	pot	12" o.c.
LS	48	<i>Liatris spicata 'Kobold'</i>	Blazing Star	gal	pot	12" o.c.
PV	90	<i>Panicum virgatum 'Shenandoah'</i>	Shenandoah Switch Grass	gal	pot	18" o.c.
RF	308	<i>Rudbeckia fulgida 'City Garden'</i>	Black Eyed Susan	gal	pot	12" o.c.
SL	86	<i>Stokesia laevis 'Klaus Jellitto'</i>	Stokes' Aster	gal	pot	12" o.c.
BULBS						
AG	139	<i>Allium Globemaster</i>	Flowering Onion	5-6 cm	bulb	interplanted
NI	799	<i>Narcissus 'Ice Follies'</i>	Daffodil	5-6 cm	bulb	interplanted

LEGEND

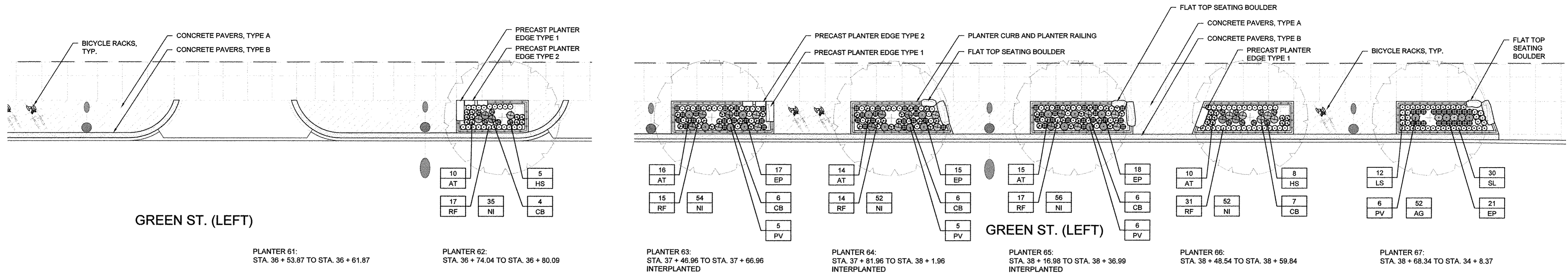


FILE NAME =	DESIGNED — BK	REVISED —
7186_planter.dwg	DRAWN — DZ/JT/JR	REVISED —
PLOT DATE =	CHECKED — RS, BM	REVISED —
2016-03-15 9:03 AM	DATE — MARCH 2016	REVISED —

STATE OF ILLINOIS
DEPARTMENT OF TRANSPORTATION

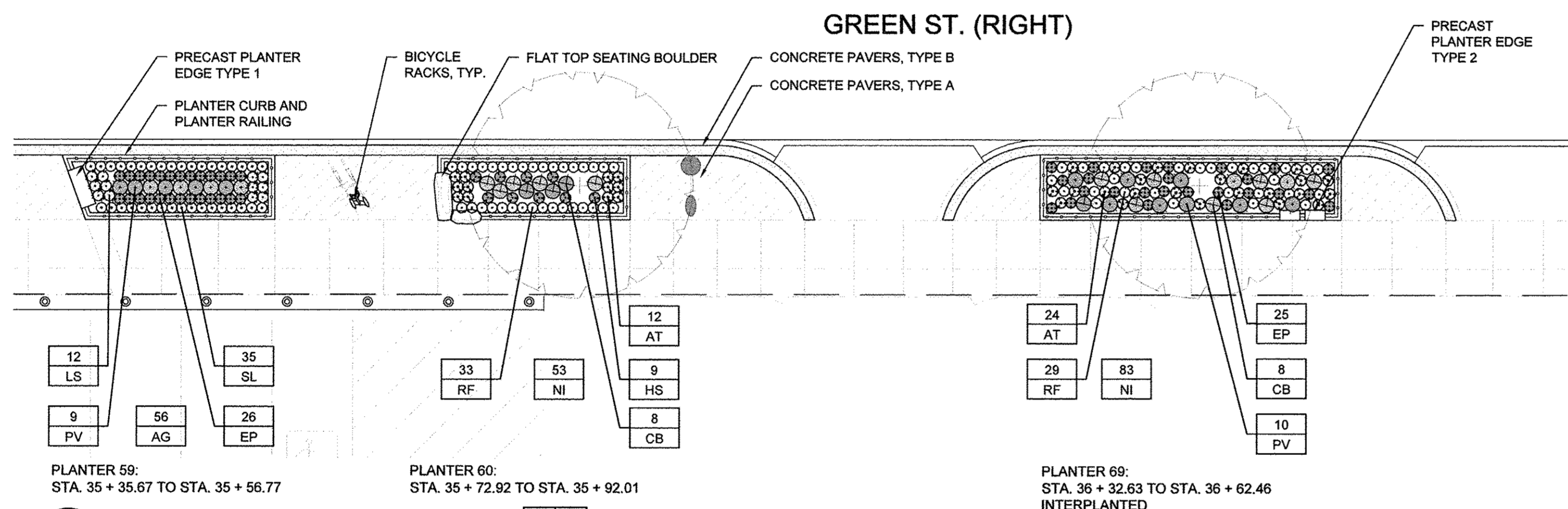
LANDSCAPE PLANS
PLANTER ENLARGEMENT PLANS
SCALE : 1"=10'
SHEET NO. 236 OF 412 SHEETS
STA. 31+2.58 TO STA. 34+35.29

F.A.U. R.T.E.	SECTION	COUNTY	TOTAL SHEETS	SHEET NO.
7126	15-00304-02-PV	CHAMPAIGN	412	236
MCORE PROJECT 2		CONTRACT NO. 91540		
JOB NO. C-95-306-16 ILLINOIS FED. AID PROJECT TIG-5181(058)				

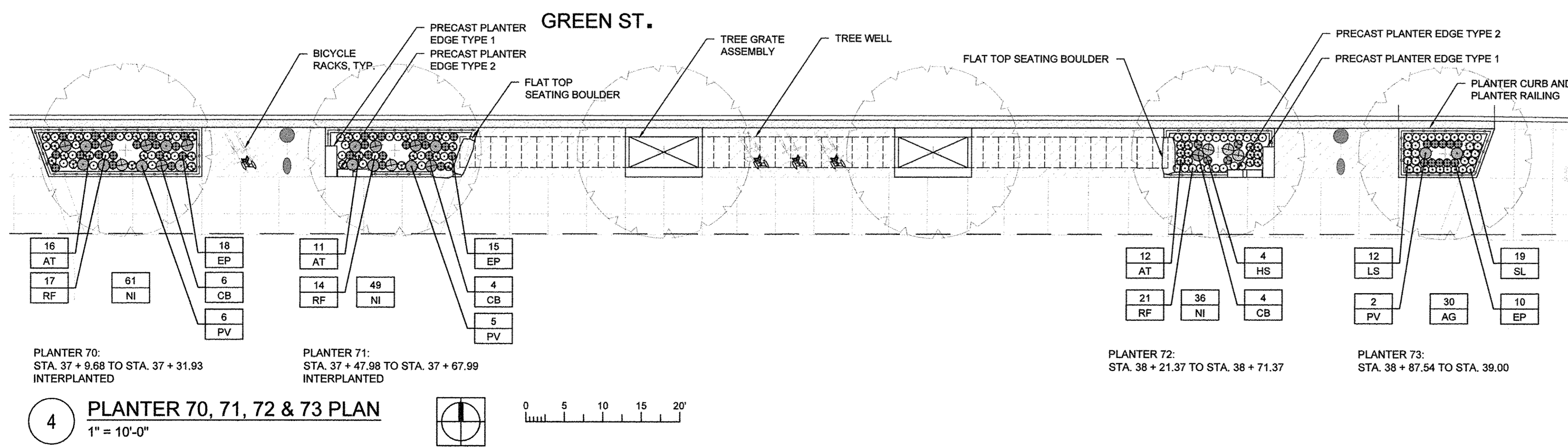


1 **PLANTER 61 (NOT USED) & 62 PLAN**
1" = 10'-0"

2 **PLANTER 63, 64, 65, 66 & 67 PLAN**
1" = 10'-0"



3 **PLANTER 59, 60 & 69 PLAN**
1" = 10'-0"



4 **PLANTER 70, 71, 72 & 73 PLAN**
1" = 10'-0"

LANDSCAPE NOTES:

1. PLANT ALL MIXED PLANTING BEDS AS SHOWN ON PLANS.
2. CONTRACTOR IS RESPONSIBLE FOR RETURNING TO PLANT FALL BULBS IF BULB PLANTING SEASON IS OVER AT TIME OF PROPOSED INSTALLATION, COORDINATE WITH AOR.
3. FOR LANDSCAPE DETAILS, SEE SHEET 242.
4. ALL PLANTINGS SHALL FOLLOW IDOT BUREAU OF DESIGN & ENVIRONMENT MANUAL - CHAPTER 59 - LANDSCAPE DESIGN AND EROSION CONTROL 59-7.09 PLANTING IN URBANIZED AREA FOR SIGHT DISTANCES.
5. ALL AREAS TO BE LANDSCAPED SHALL BE EXCAVATED TO THE DEPTH APPROPRIATE FOR THE PROPOSED PLANTINGS.
6. PLANT QUANTITIES SHOWN ON DRAWINGS ARE APPROXIMATE. CONTRACTOR SHALL PROVIDE PLANT MATERIALS SUFFICIENT TO COVER AREAS SHOWN ON PLANS AT THE SPACINGS INDICATED.
7. ANY AREAS OUTSIDE OF THE LANDSCAPE BEDS THAT ARE DISTURBED SHALL BE REPLACED IN KIND.

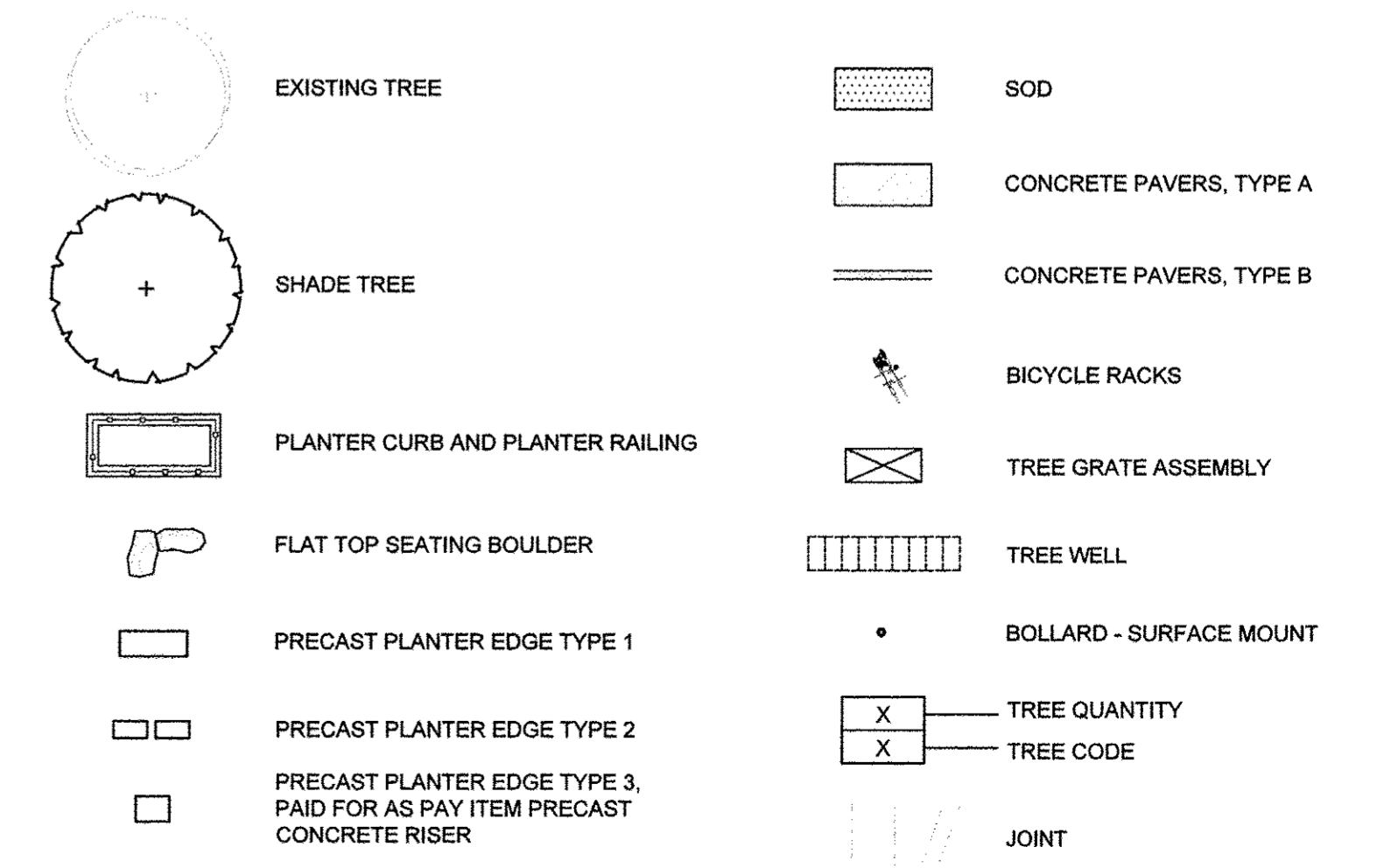
FENCING NOTES:

1. CONFIRM ALL FENCING QUANTITIES AND DIMENSIONS.
2. FOR FENCING DETAILS, SEE SHEETS 244 AND 245.
3. PROVIDE STAINLESS STEEL TAMPER PROOF FASTENERS.

PLANT SCHEDULE - SHEET TOTAL

CODE	QUANTITY	BOTANICAL NAME	COMMON NAME	SIZE	ROOT	REMARK
AT	101	<i>Asclepias tuberosa</i>	Butterfly Weed	gal	pot	12" o.c.
CB	45	<i>Calamagrostis brachytricha</i>	Korean Feather Reed Grass	gal	pot	18" o.c.
EP	122	<i>Echinacea Purpurea</i>	Purple Coneflower	gal	pot	12" o.c.
HS	17	<i>Helenium 'Sahin's Early Flowerer'</i>	Sneezeweed	gal	pot	12" o.c.
LS	24	<i>Liatris spicata 'Kobold'</i>	Blazing Star	gal	pot	12" o.c.
PV	41	<i>Panicum virgatum 'Shenandoah'</i>	Shenandoah Switch Grass	gal	pot	18" o.c.
RF	156	<i>Rudbeckia fulgida 'City Garden'</i>	Black Eyed Susan	gal	pot	12" o.c.
SL	65	<i>Stokesia laevis 'Klaus Jellitto'</i>	Stokes' Aster	gal	pot	12" o.c.
BULBS						
AG	108	<i>Allium Globemaster</i>	Flowering Onion	5-6 cm	bulb	interplanted
NI	385	<i>Narcissus 'Ice Follies'</i>	Daffodil	5-6 cm	bulb	interplanted

LEGEND



Clark Dietz
ENGINEERS

site design group ltd

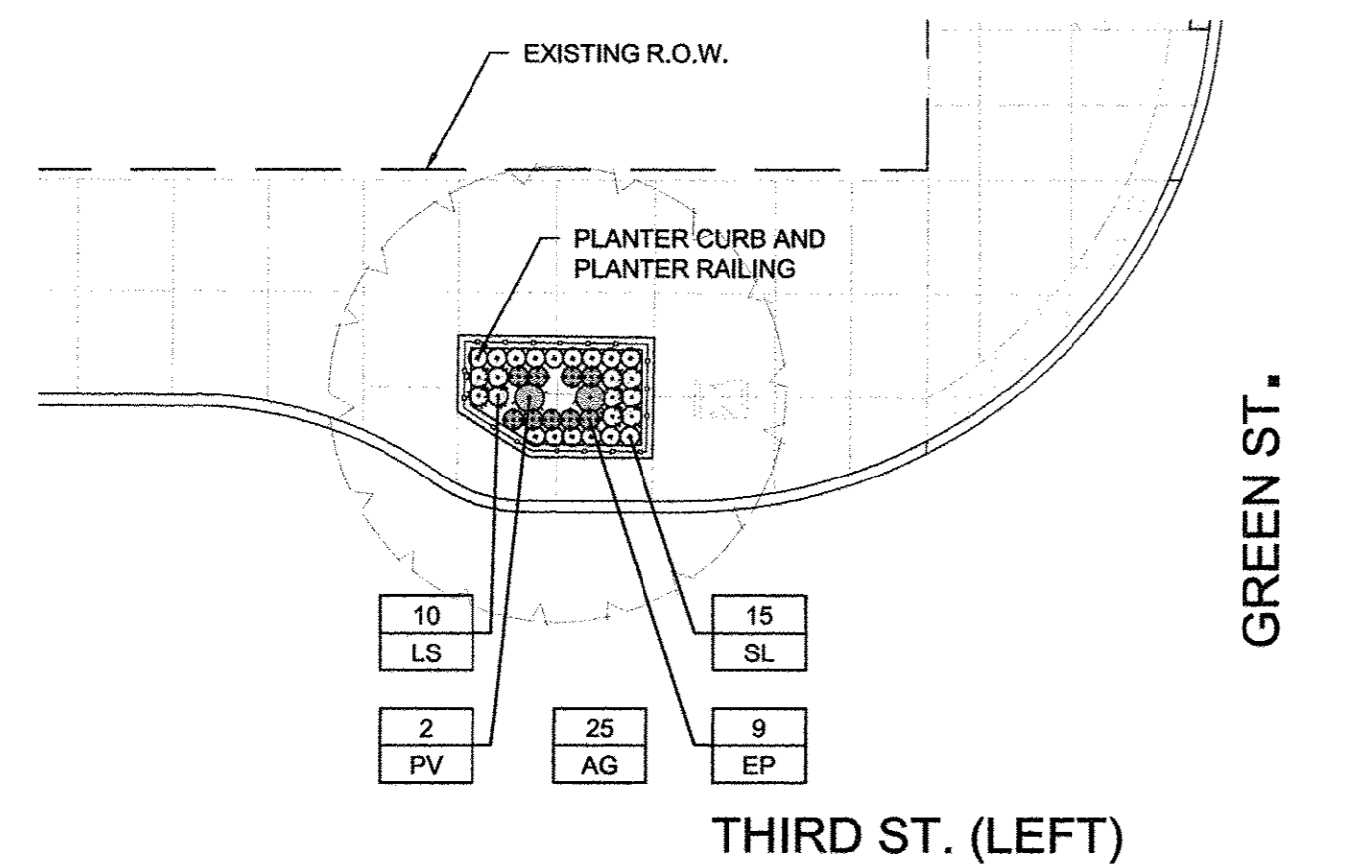
FILE NAME =	DESIGNED — BK	REVISED —
7186_planter.dwg	DRAWN — DZ/JT/JR	REVISED —
PLOT DATE =	CHECKED — RS, BM	REVISED —
2016-03-15 9:03 AM	DATE — MARCH 2016	REVISED —

STATE OF ILLINOIS
DEPARTMENT OF TRANSPORTATION

LANDSCAPE PLANS
PLANTER ENLARGEMENT PLANS

SCALE : 1"=10' SHEET NO. 237 OF 412 SHEETS STA. 36+53.87 TO STA. 39.00

F.A.U. RTE.	SECTION	COUNTY	TOTAL SHEETS	SHEET NO.
7126	15-00304-02-PV	CHAMPAIGN	412	237
MCORE PROJECT 2		CONTRACT NO. 91540		
JOB NO. C-95-306-16 ILLINOIS FED. AID PROJECT TIC-5181(058)				



PLANTER 68:
STA. 304 + 42.13 TO STA. 304 + 52.44



LANDSCAPE NOTES:

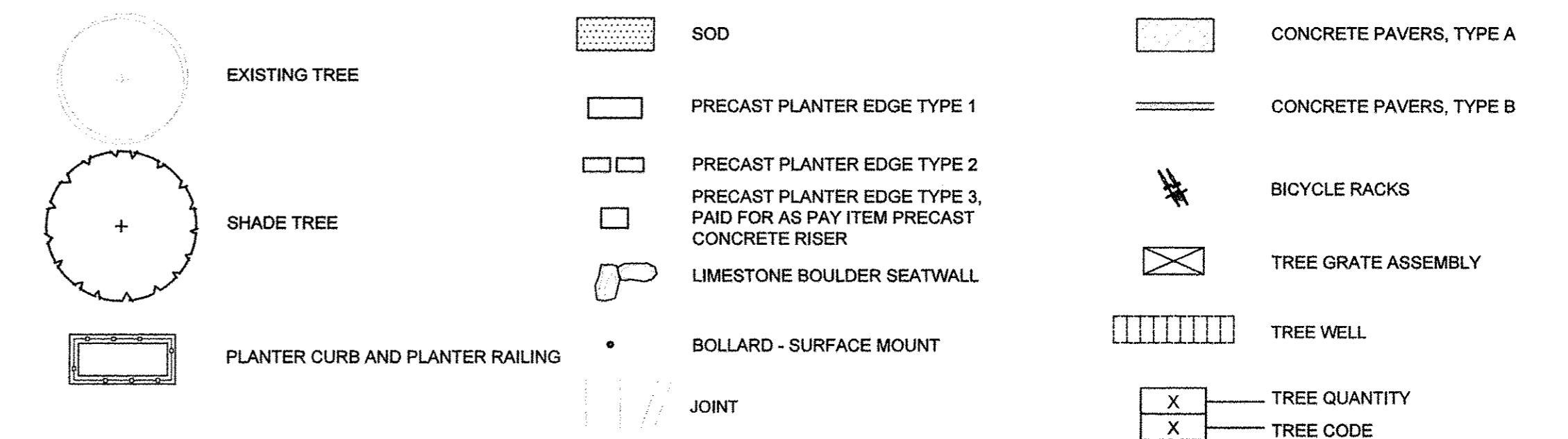
1. PLANT ALL MIXED PLANTING BEDS AS SHOWN ON PLANS.
2. CONTRACTOR IS RESPONSIBLE FOR RETURNING TO PLANT FALL BULBS IF BULB PLANTING SEASON IS OVER AT TIME OF PROPOSED INSTALLATION, COORDINATE WITH AOR.
3. FOR LANDSCAPE DETAILS, SEE SHEET 242.
4. ALL PLANTINGS SHALL FOLLOW IDOT BUREAU OF DESIGN & ENVIRONMENT MANUAL - CHAPTER 59 - LANDSCAPE DESIGN AND EROSION CONTROL 59-7.09 PLANTING IN URBANIZED AREA FOR SIGHT DISTANCES.
5. ALL AREAS TO BE LANDSCAPED SHALL BE EXCAVATED TO THE DEPTH APPROPRIATE FOR THE PROPOSED PLANTINGS.
6. PLANT QUANTITIES SHOWN ON DRAWINGS ARE APPROXIMATE. CONTRACTOR SHALL PROVIDE PLANT MATERIALS SUFFICIENT TO COVER AREAS SHOWN ON PLANS AT THE SPACINGS INDICATED.
7. ANY AREAS OUTSIDE OF THE LANDSCAPE BEDS THAT ARE DISTURBED SHALL BE REPLACED IN KIND.

FENCING NOTES:

1. CONFIRM ALL FENCING QUANTITIES AND DIMENSIONS.
2. FOR FENCING DETAILS, SEE SHEETS 244 AND 245.
3. PROVIDE STAINLESS STEEL TAMPER PROOF FASTENERS.

PLANT SCHEDULE - SHEET TOTAL						
UNDERSTORY PLANTS						
CODE	QUANTITY	BOTANICAL NAME	COMMON NAME	SIZE	ROOT	REMARK
EP	9	Echinacea Purpurea	Purple Coneflower	gal	pot	12" o.c.
LS	10	Liatris spicata 'Kobold'	Blazing Star	gal	pot	12" o.c.
PV	2	Panicum virgatum 'Shenandoah'	Shenandoah Switch Grass	gal	pot	18" o.c.
SL	15	Stokesia laevis 'Klaus Jellito'	Stockes' Aster	gal	pot	12" o.c.
BULBS						
AG	25	Allium Globemaster	Flowering Onion	5-6 cm	bulb	interplanted

LEGEND



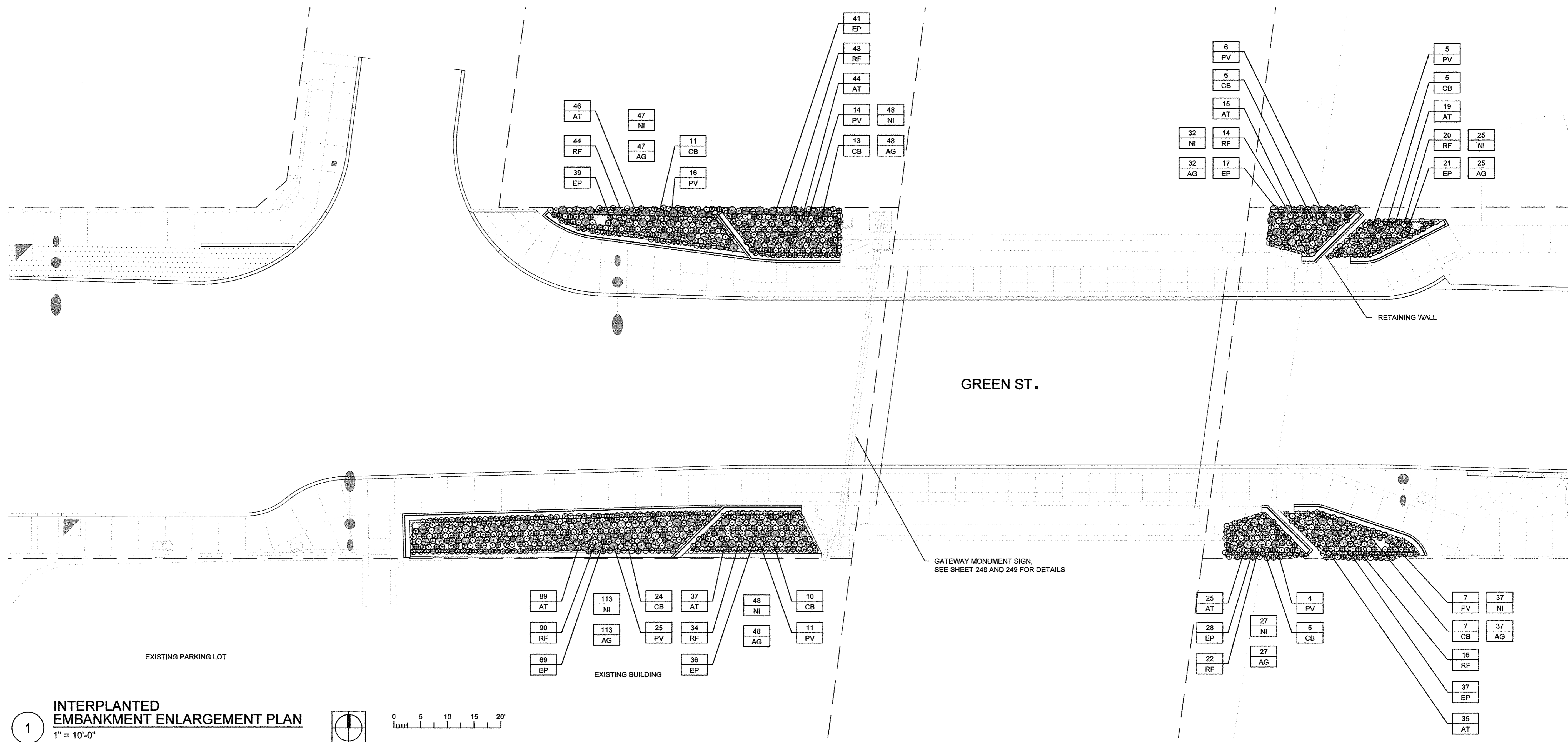
FILE NAME = 7186_planter.dwg	DESIGNED -- BK	REVISED --
PLOT DATE = 2016-03-15 9:03 AM	DRAWN -- DZ/JT/JR	REVISED --
	CHECKED -- RS, BM	REVISED --
	DATE -- MARCH 2016	REVISED --

STATE OF ILLINOIS DEPARTMENT OF TRANSPORTATION

LANDSCAPE PLANS PLANTER ENLARGEMENT PLANS
SCALE : 1"=10'

SHEET NO. 238 OF 412 SHEETS	STA. 304+42.13 TO STA. 304+52.44
-----------------------------	----------------------------------

F.A.U. RTE.	SECTION	COUNTY	TOTAL SHEETS	SHEET NO.
7126	15-00304-02-PV	CHAMPAIGN	412	238
MCORE PROJECT 2		CONTRACT NO. 91540		
JOB NO. C-95-306-16 ILLINOIS FED. AID PROJECT TIG-5181(058)				



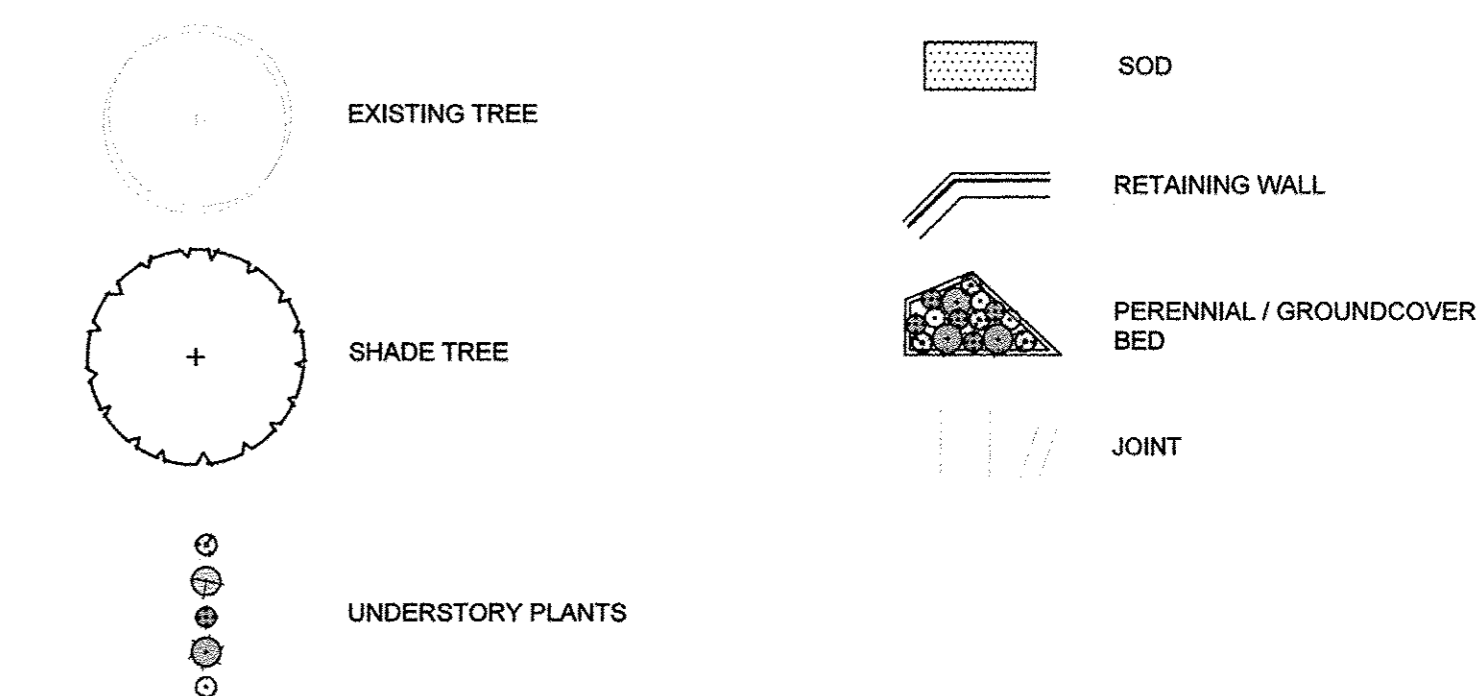
1 INTERPLANTED EMBANKMENT ENLARGEMENT PLAN
1" = 10'-0"

LANDSCAPE NOTES:

- PLANT ALL MIXED PLANTING BEDS AS SHOWN ON PLANS.
- CONTRACTOR IS RESPONSIBLE FOR RETURNING TO PLANT FALL BULBS IF BULB PLANTING SEASON IS OVER AT TIME OF PROPOSED INSTALLATION, COORDINATE WITH AOR.
- FOR LANDSCAPE DETAILS, SEE SHEET 242.
- ALL PLANTINGS SHALL FOLLOW IDOT BUREAU OF DESIGN & ENVIRONMENT MANUAL - CHAPTER 59 - LANDSCAPE DESIGN AND EROSION CONTROL 59-7.09 PLANTING IN URBANIZED AREA FOR SIGHT DISTANCES.
- ALL AREAS TO BE LANDSCAPED SHALL BE EXCAVATED TO THE DEPTH APPROPRIATE FOR THE PROPOSED PLANTINGS.
- PLANT QUANTITIES SHOWN ON DRAWINGS ARE APPROXIMATE. CONTRACTOR SHALL PROVIDE PLANT MATERIALS SUFFICIENT TO COVER AREAS SHOWN ON PLANS AT THE SPACINGS INDICATED.
- ANY AREAS OUTSIDE OF THE LANDSCAPE BEDS THAT ARE DISTURBED SHALL BE REPLACED IN KIND.

PLANT SCHEDULE - SHEET TOTAL						
CODE	QUANTITY	BOTANICAL NAME	COMMON NAME	SIZE	ROOT	REMARK
AT	310	<i>Asclepias tuberosa</i>	Butterfly Weed	gal	pot	12" o.c.
CB	81	<i>Calamagrostis brachytricha</i>	Korean Feather Reed Grass	gal	pot	18" o.c.
EP	288	<i>Echinacea Purpurea</i>	Purple Coneflower	gal	pot	12" o.c.
PV	88	<i>Panicum virgatum</i> 'Shenandoah'	Shenandoah Switch Grass	gal	pot	18" o.c.
RF	283	<i>Rudbeckia fulgida</i> 'City Garden'	Black Eyed Susan	gal	pot	12" o.c.
BULBS						
AG	378	<i>Allium Globemaster</i>	Flowering Onion	5-6 cm	bulb	interplanted
NI	378	<i>Narcissus 'Ice Follies'</i>	Daffodil	5-6 cm	bulb	interplanted

LEGEND



FILE NAME =
7186_planter.dwg
PLOT DATE =
2016-03-15 9:03 AM

DESIGNED -- BK
DRAWN -- DZ/JT/JR
CHECKED -- RS, BM
DATE -- MARCH 2016

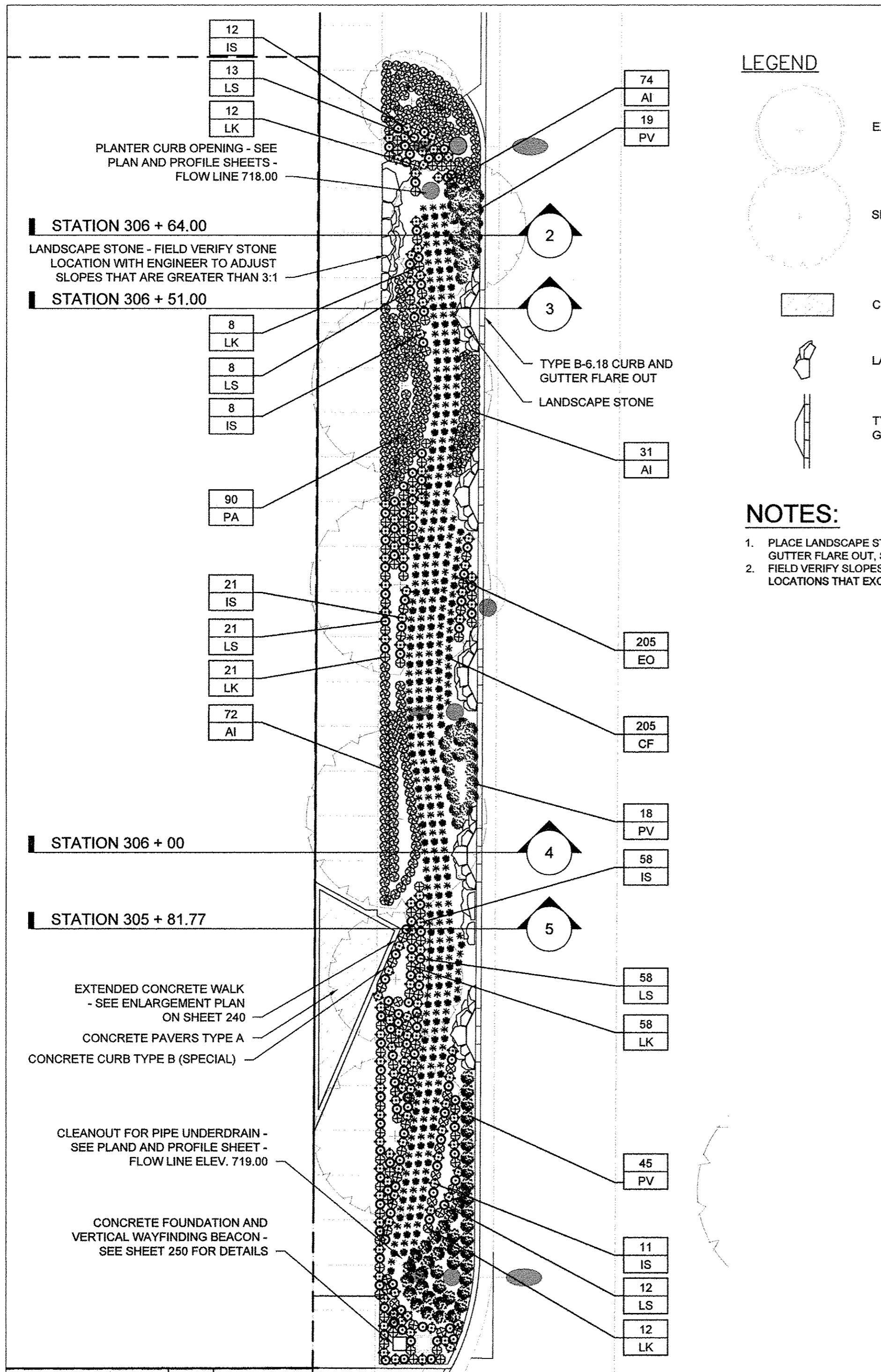
REVISED --
REVISED --
REVISED --
REVISED --

STATE OF ILLINOIS
DEPARTMENT OF TRANSPORTATION

LANDSCAPE PLANS
EMBANKMENT ENLARGEMENT PLAN

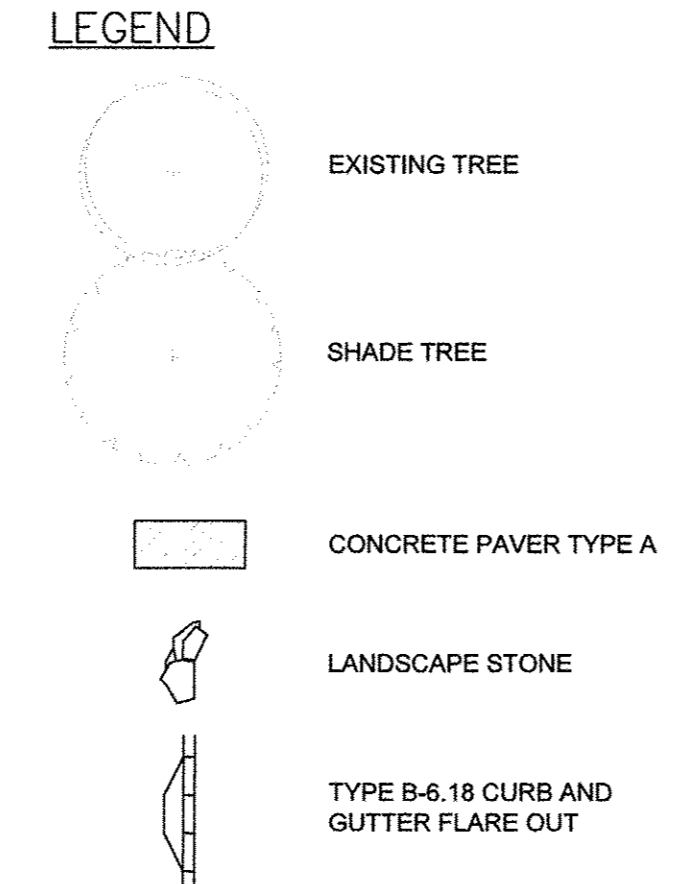
SCALE : 1"=10' SHEET NO. 239 OF 412 SHEETS STA. 26+00.00 TO STA. 29+50.00

F.A.U. RTE.	SECTION	COUNTY	TOTAL SHEETS	SHEET NO.
7126	15-00304-02-PV	CHAMPAIGN	412	239
MCORE PROJECT 2			CONTRACT NO. 91540	
JOB NO. C-95-306-16 ILLINOIS FED. AID PROJECT TIG-5181(058)				



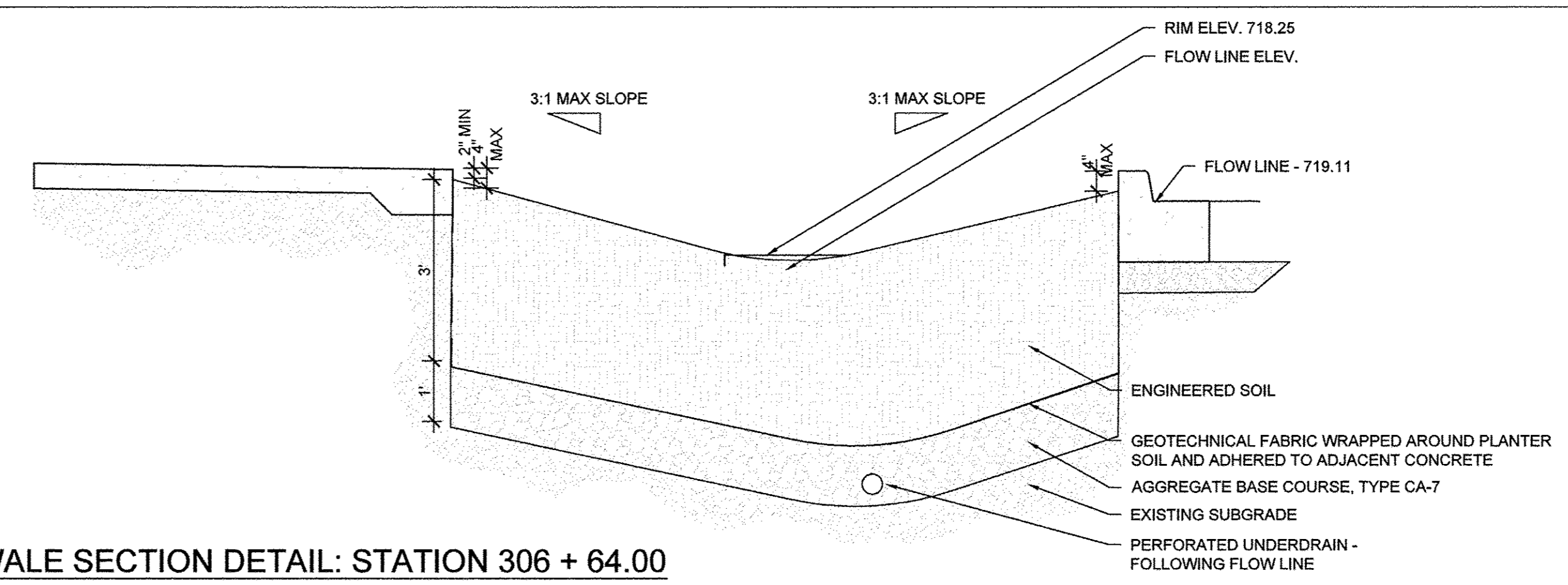
1 THIRD STREET ENLARGEMENT PLAN
1" = 10'-0"
0 5 10 15 20'

PLANT SCHEDULE - SHEET TOTAL					
UNDERSTORY PLANTS					
PV	82	Panicum virgatum 'shenandoah'	Shenandoah Switch Grass	gal	pot 18" o.c.
CF	205	Carex frankii	Franks Sedge	gal	pot 12" o.c.
EO	205	Elocharis obtusa	Spike Bush	gal	pot 12" o.c.
AI	177	Asclepias incarnata	Swamp milkweed	gal	pot 12" o.c.
IS	110	Iris sibirica Caesar's Brother	Caesar's Brother Iris	gal	pot 12" o.c.
LS	112	Leucanthemum x superbum 'Becky'	Becky Shasta Daisy	gal	pot 12" o.c.
LK	111	Liatris spicata 'Kobold'	Kobold Blazing Star	gal	pot 12" o.c.

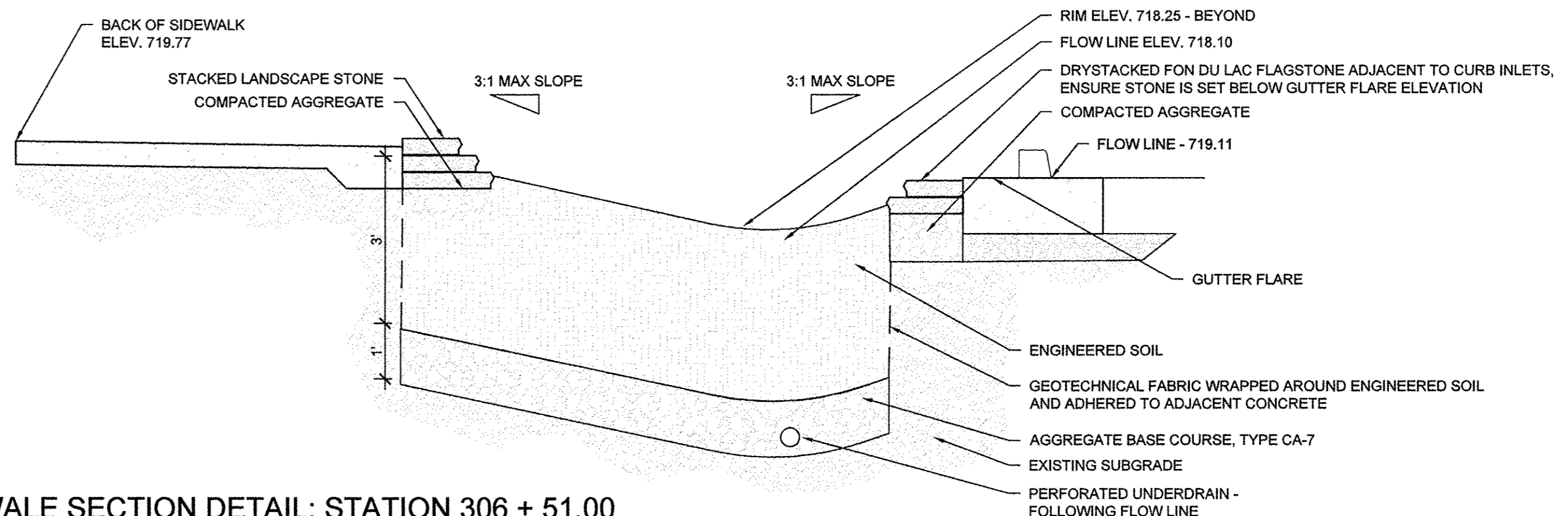


NOTES:
1. PLACE LANDSCAPE STONE AT EACH TYPE B-6.18 CURB AND GUTTER FLARE OUT, SEE ROADWAY DETAILS.
2. FIELD VERIFY SLOPES, PLACE LANDSCAPE STONE AT ANY LOCATIONS THAT EXCEED 3:1 SLOPES.

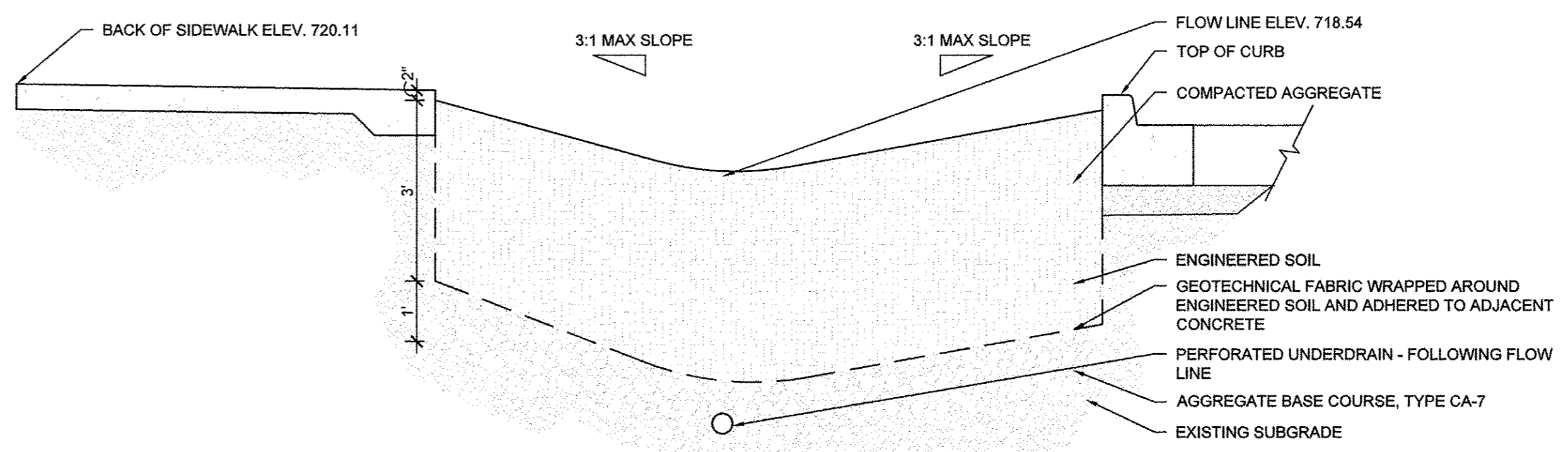
2 BIOSWALE SECTION DETAIL: STATION 306 + 64.00
1/2" = 1'-0"



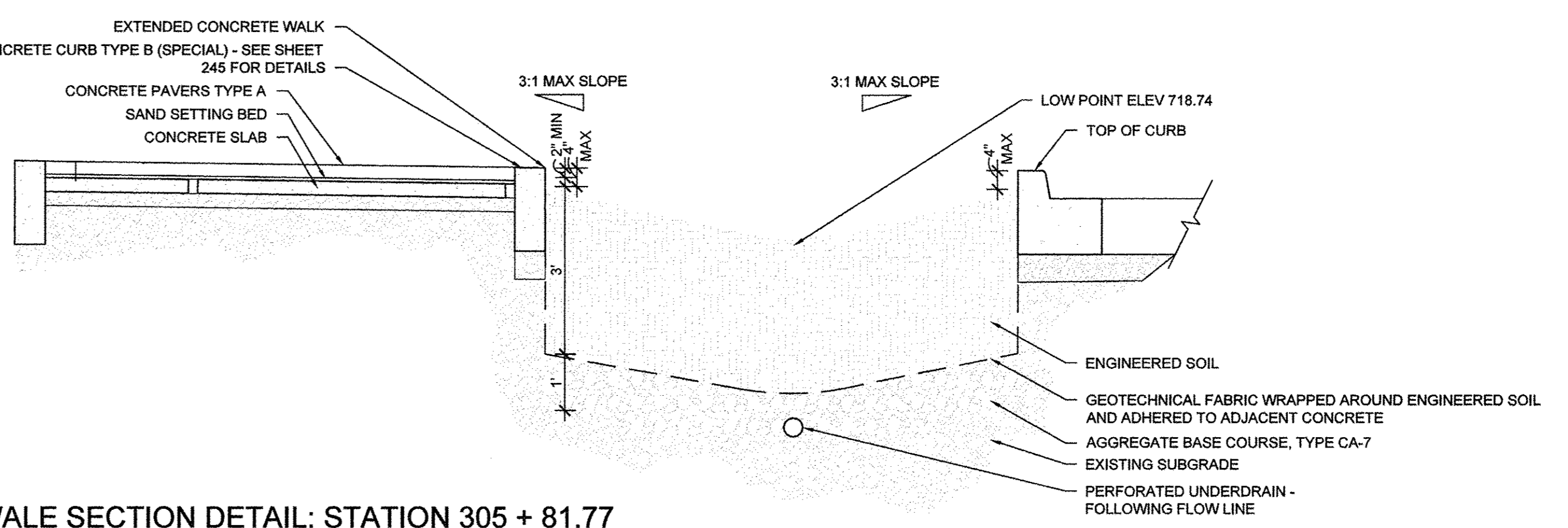
3 BIOSWALE SECTION DETAIL: STATION 306 + 51.00
1/2" = 1'-0"



4 BIOSWALE SECTION DETAIL: STATION 306 + 00
1/2" = 1'-0"



5 BIOSWALE SECTION DETAIL: STATION 305 + 81.77
1/2" = 1'-0"



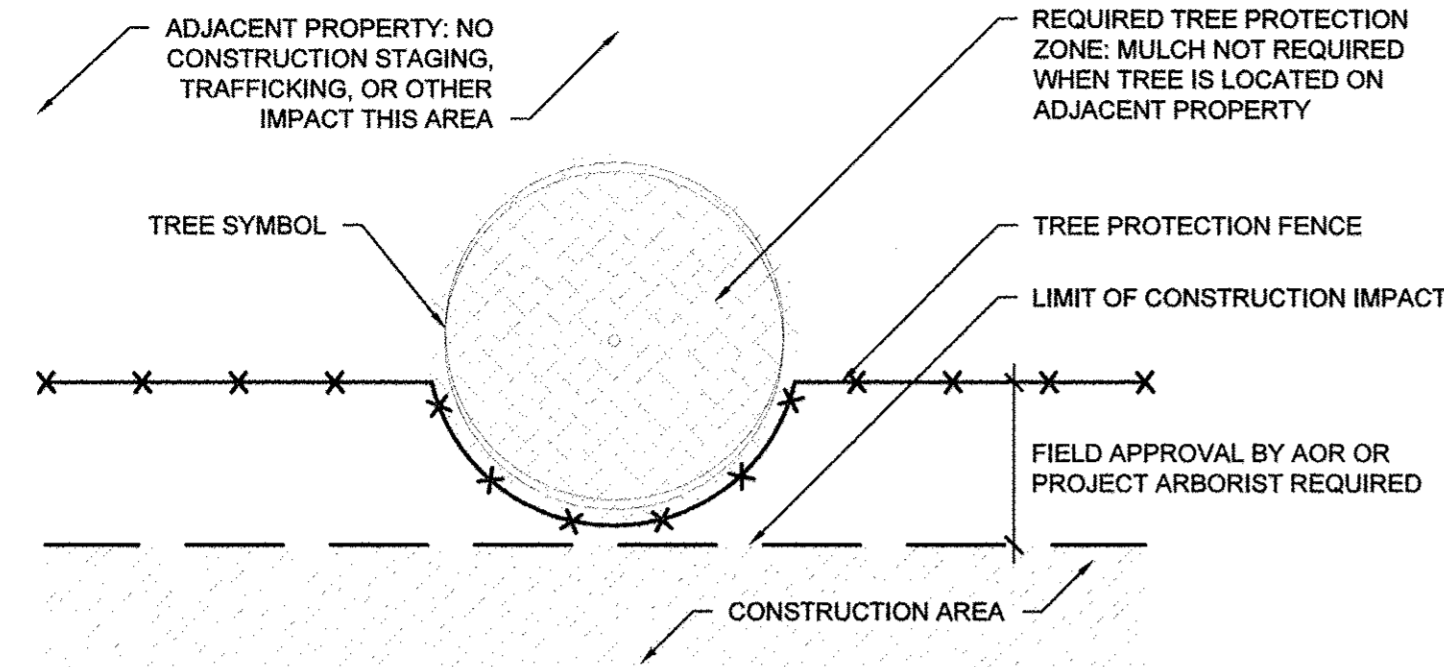
FILE NAME = 7186_bioswale.dwg
PLOT DATE = 2016-03-15 9:03 AM

DESIGNED — BK
DRAWN — DZ/JT/JR
CHECKED — RS, BM
DATE — MARCH 2016

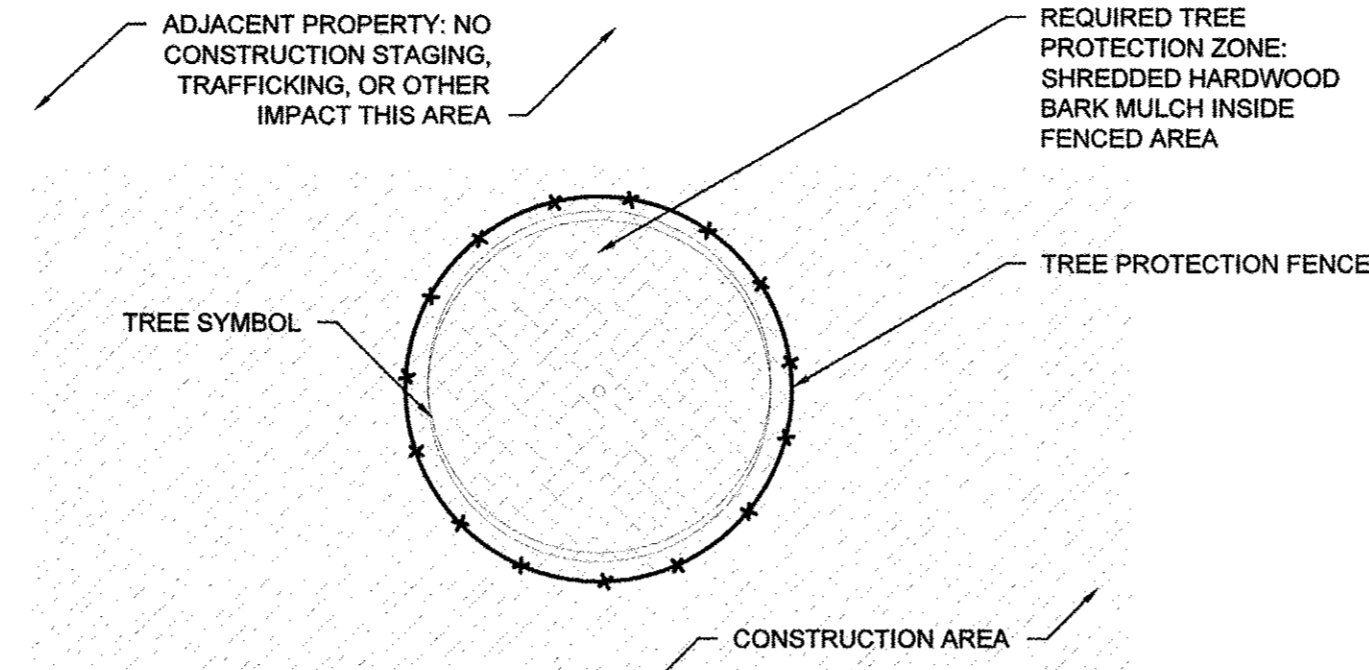
STATE OF ILLINOIS
DEPARTMENT OF TRANSPORTATION

LANDSCAPE PLANS
THIRD STREET ENLARGEMENT
SCALE : 1"=10'
SHEET NO. 240 OF 412 SHEETS
STA. 305+26.71 TO STA. 306+83.88

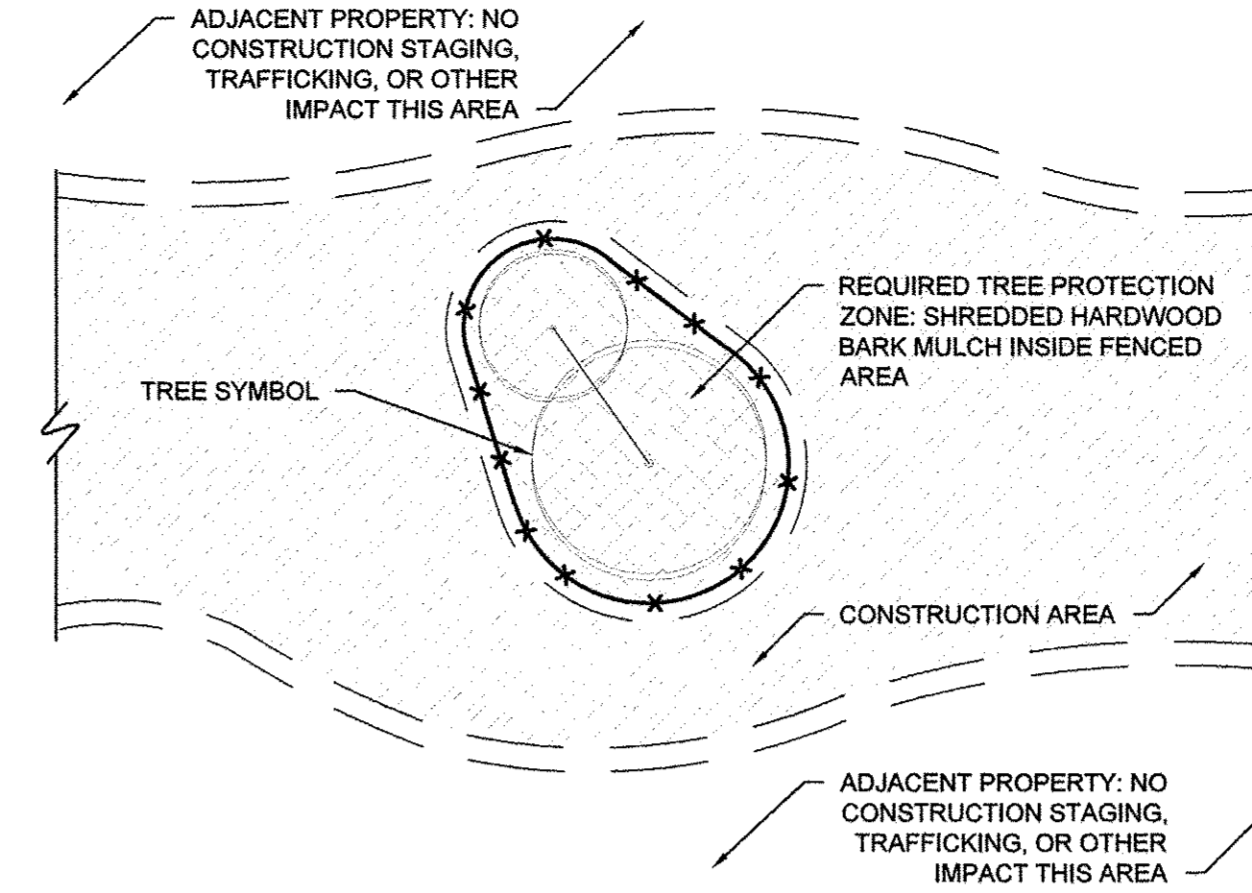
F.A.U. RTE.	SECTION	COUNTY	TOTAL SHEETS	SHEET NO.
7126	15-00304-02-PV	CHAMPAIGN	412	240
MCORE PROJECT 2			CONTRACT NO. 91540	
JOB NO. C-95-306-16 ILLINOIS FED. AID PROJECT TIG-5181(058)				



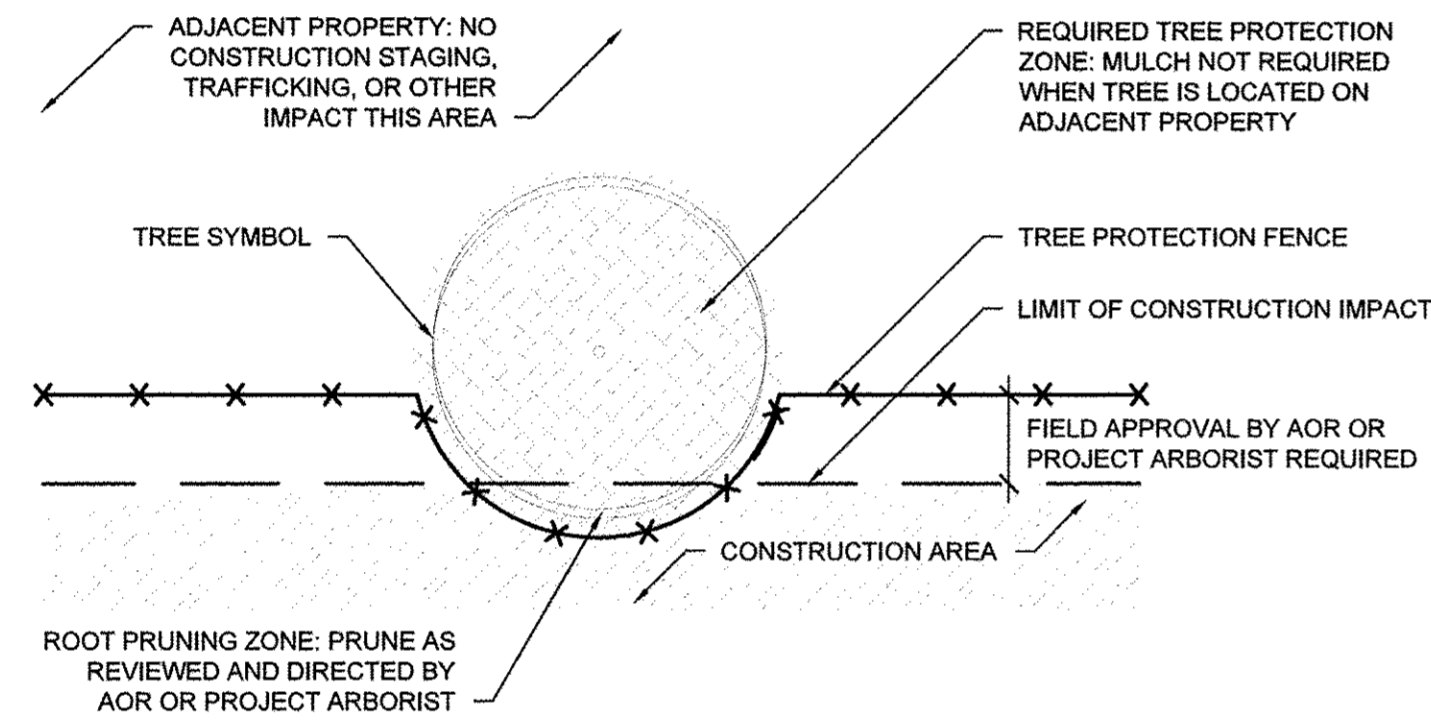
1A TREE PROTECTION FENCE INTERSECTS PROPERTY LIMIT; NO ROOT PRUNING REQUIRED PLAN
NOT TO SCALE



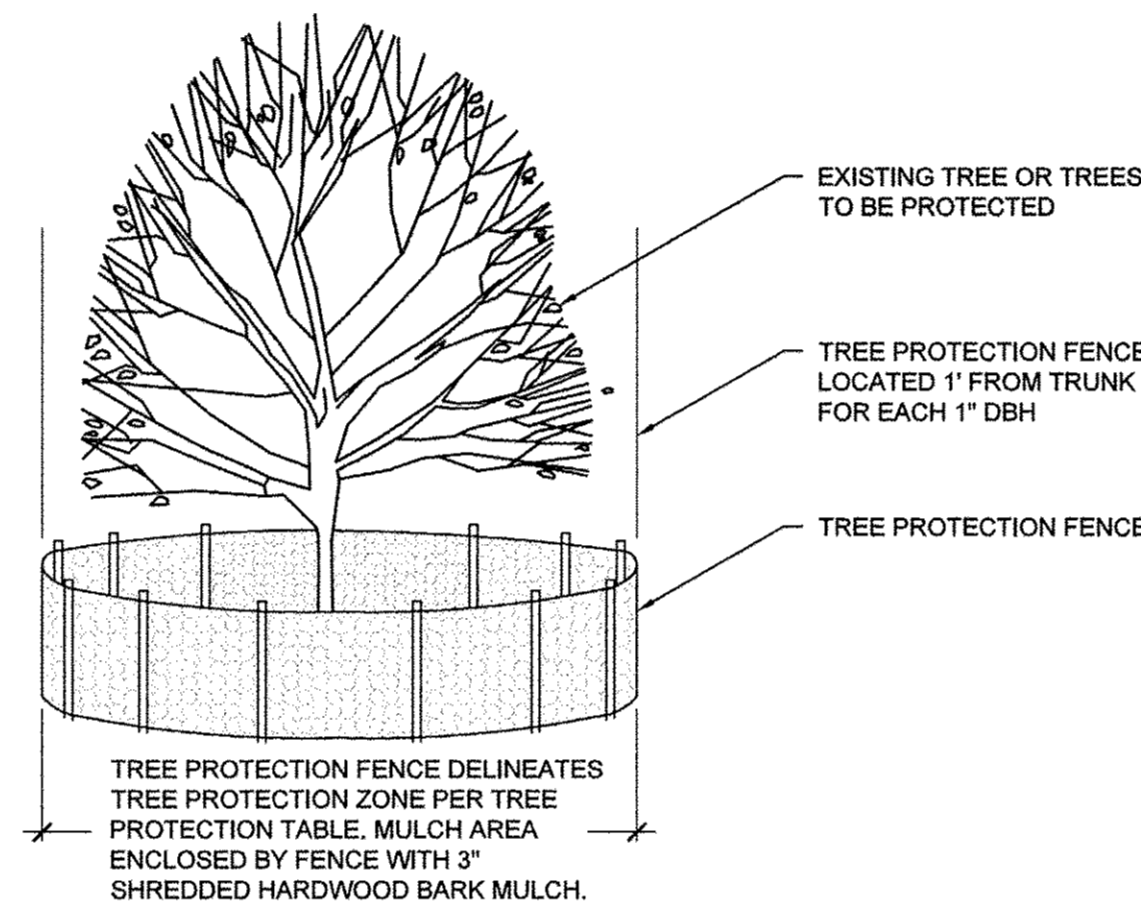
2A TREE PROTECTION ENTIRELY WITHIN CONSTRUCTION AREA PLAN
NOT TO SCALE



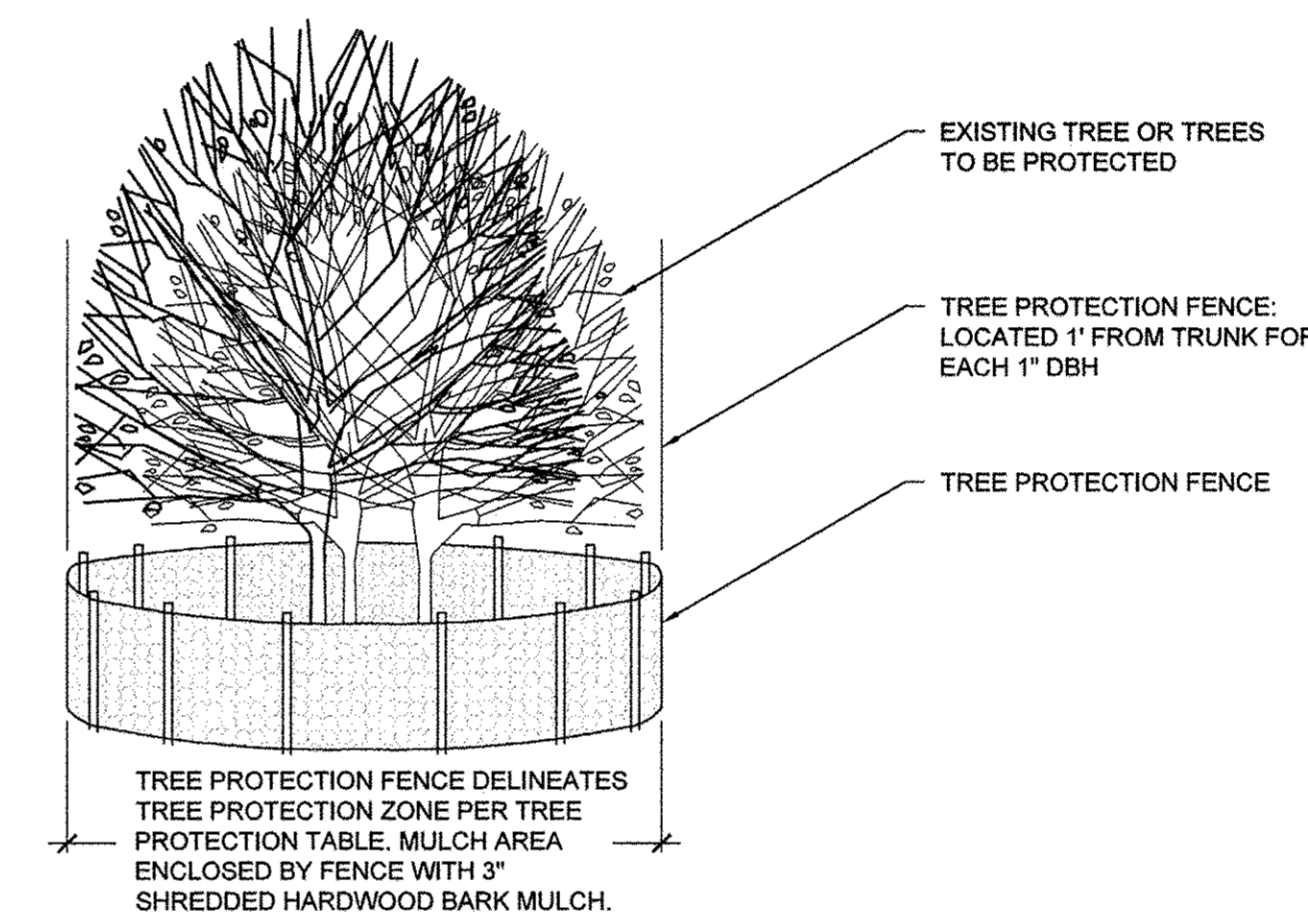
3A GROUP TREE PROTECTION ENTIRELY WITHIN CONSTRUCTION AREA PLAN
NOT TO SCALE



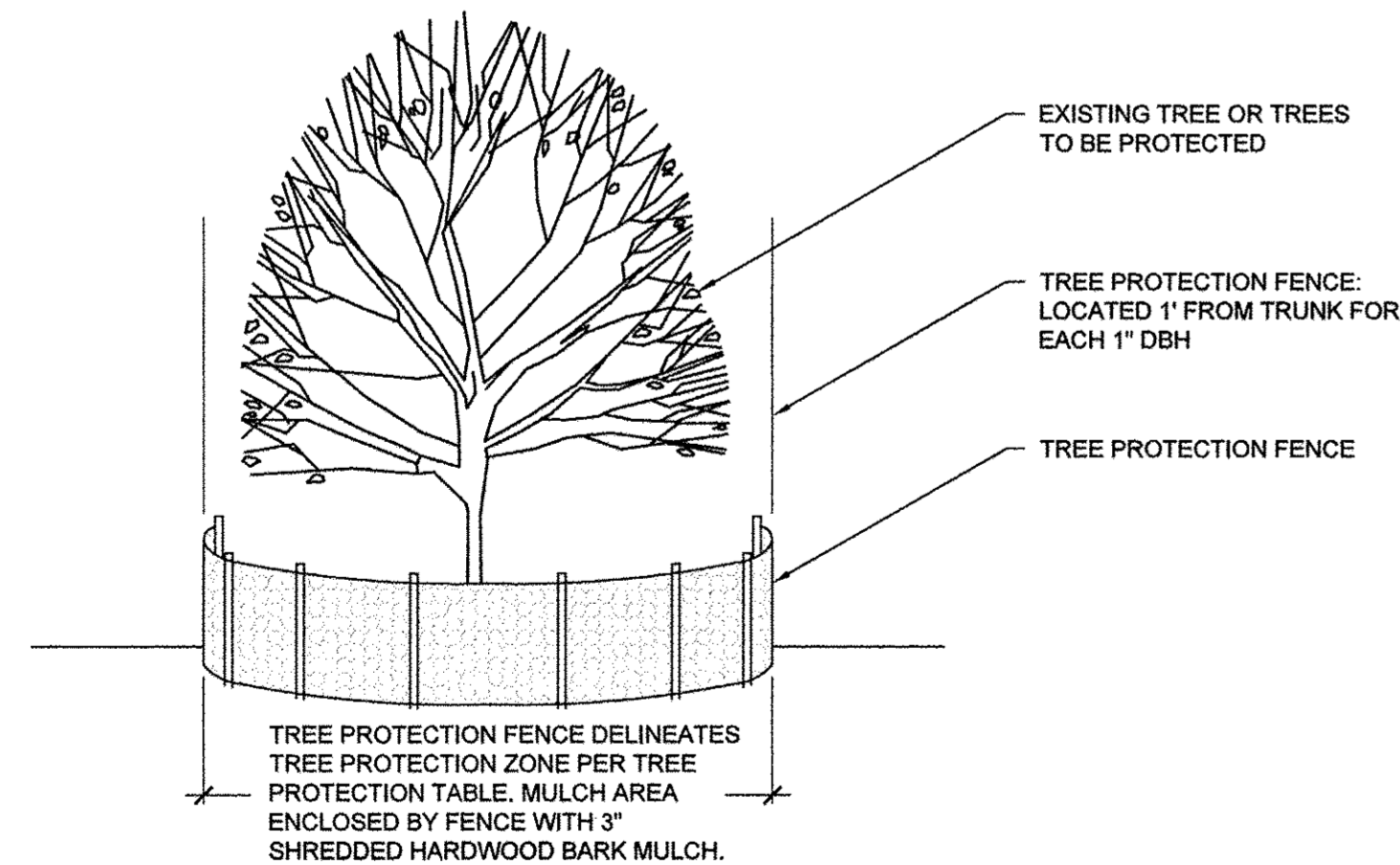
1B TREE PROTECTION FENCE INTERSECTS PROPERTY LIMIT; ROOT PRUNING REQUIRED PLAN
NOT TO SCALE



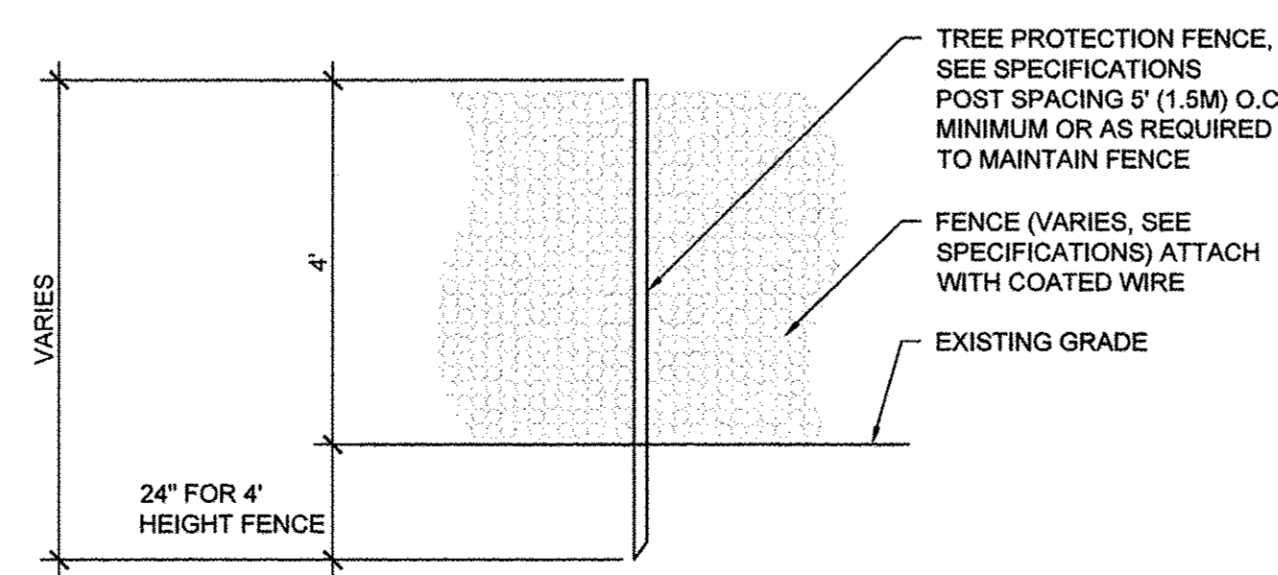
2B TREE PROTECTION ENTIRELY WITHIN CONSTRUCTION AREA ELEVATION
NOT TO SCALE



3B GROUP TREE PROTECTION ENTIRELY WITHIN CONSTRUCTION AREA ELEVATION
NOT TO SCALE



1C TREE PROTECTION FENCE INTERSECTS PROPERTY LIMIT; NO ROOT PRUNING REQUIRED ELEVATION
NOT TO SCALE

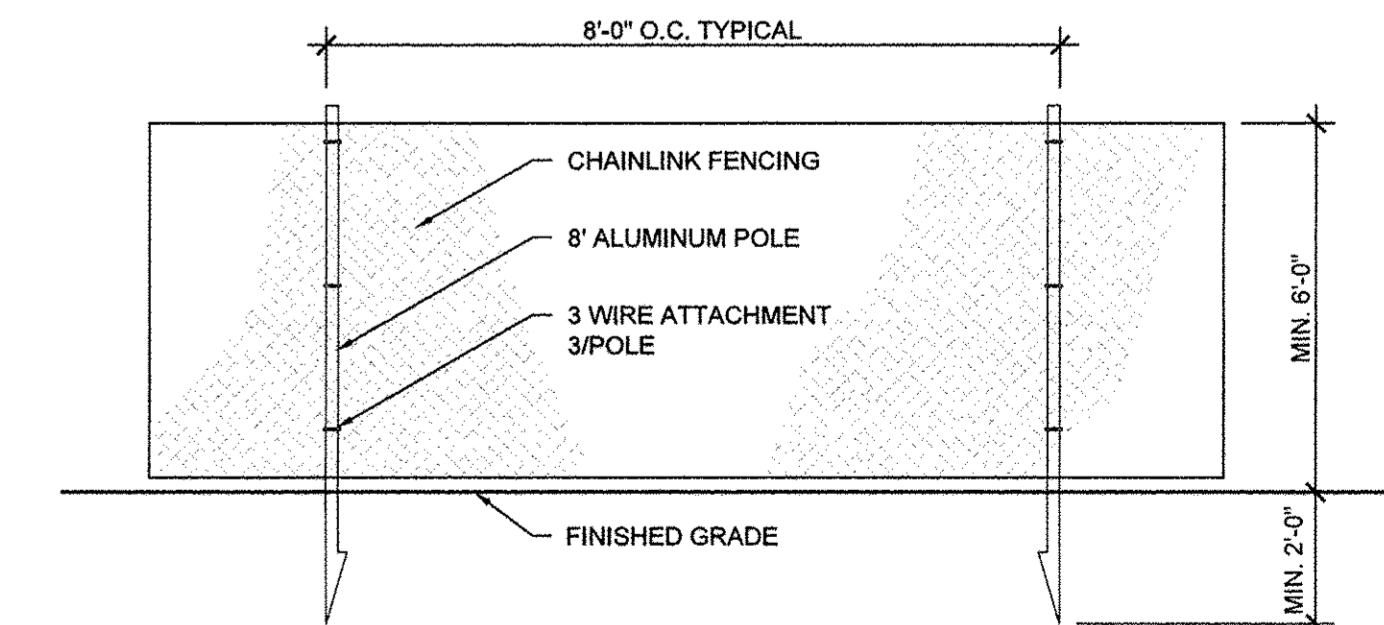


4 TREE PROTECTION FENCE
NOT TO SCALE

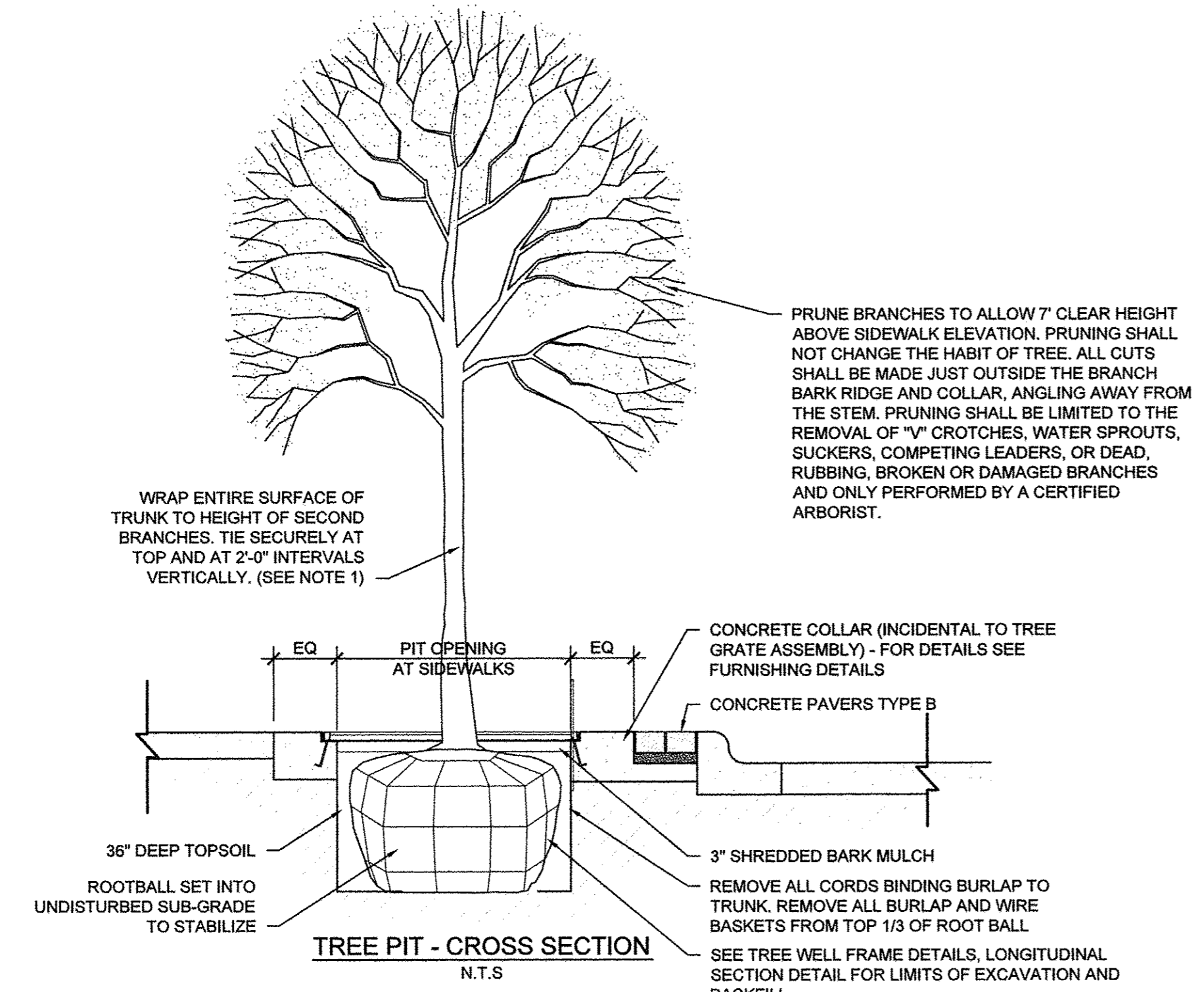
TREE PROTECTION	FLAG TAPE COLOR	RADIUS OF TREE PROTECTION FENCE FROM TRUNK	MULCH TREE PROTECTION ZONE
ADJACENT PROPERTY	NONE	NONE, TREE PROTECTED BY TREE PROTECTION FENCE AT PROJECT LIMITS	NO
TREE WITH TREE PROTECTION FENCE	GREEN	1' (30 cm) RADIUS FOR EACH 1" (2.54 cm) DBH*, OR AS APPROVED BY AOR OR PROJECT ARBORIST	YES, 3" DEPTH OF HARDWOOD BARK MULCH, NOT IN CONTACT WITH THE TRUNK
TREE WITH TREE PROTECTION FENCE, ROOTPRUNED	GREEN & YELLOW	1' (30 cm) RADIUS FOR EACH 1" (2.54 cm) DBH*, OR AS APPROVED BY AOR OR PROJECT ARBORIST	YES, 3" DEPTH OF HARDWOOD BARK MULCH, NOT IN CONTACT WITH THE TRUNK
TREE TO BE RELOCATED	BLUE	1' (30 cm) RADIUS FOR EACH 1" (2.54 cm) DBH*, OR AS APPROVED BY AOR OR PROJECT ARBORIST	YES, 3" DEPTH OF HARDWOOD BARK MULCH, NOT IN CONTACT WITH THE TRUNK
TREE TO BE REMOVED	RED	NONE, TREES MUST BE REMOVED PRIOR TO START OF CONSTRUCTION	NO

*DBH - DIAMETER AT BREAST HEIGHT MEASURED AT 4.5' FROM BASE OF TREE.

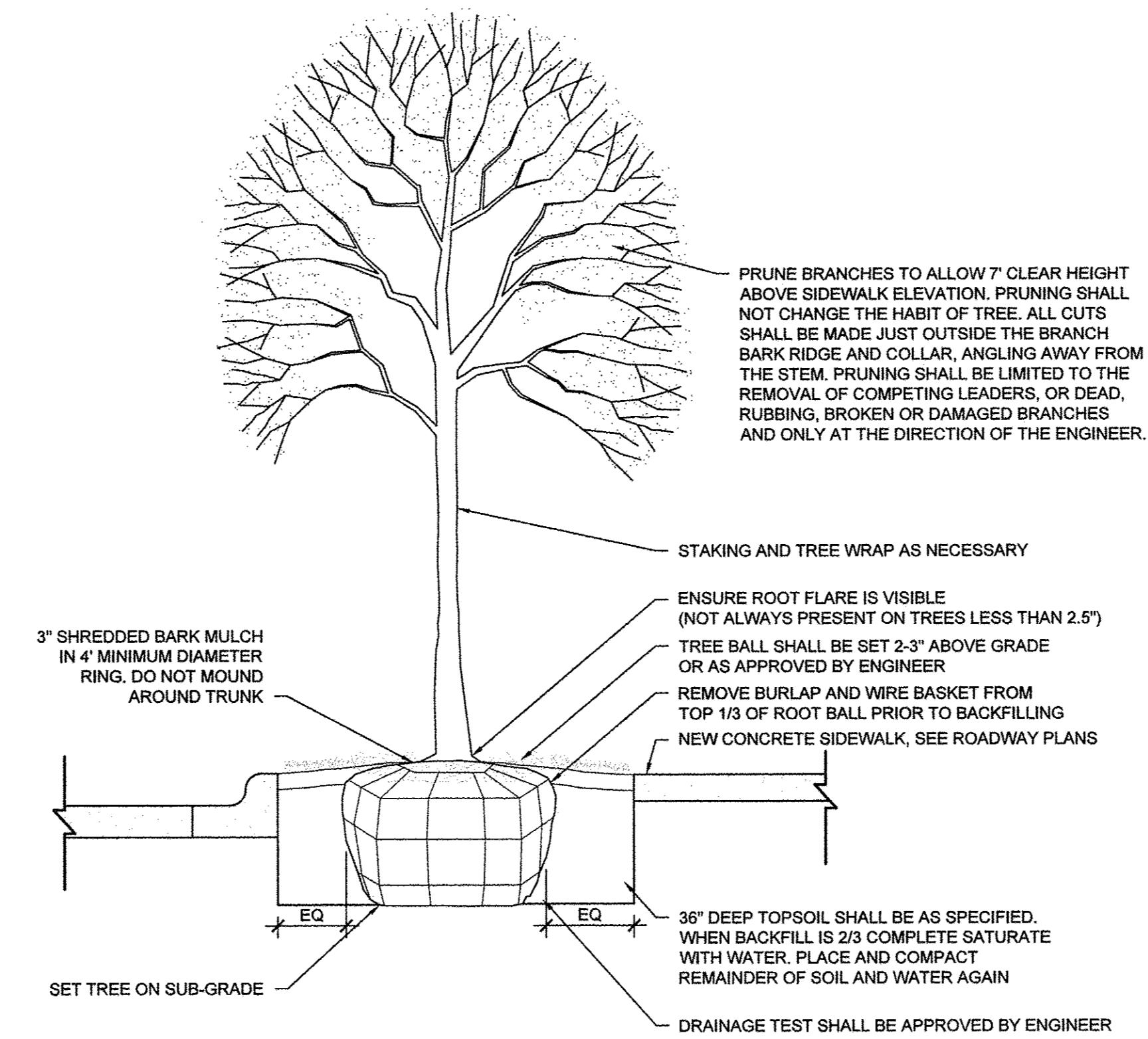
5 TREE PROTECTION TABLE AND NOTES
NOT TO SCALE



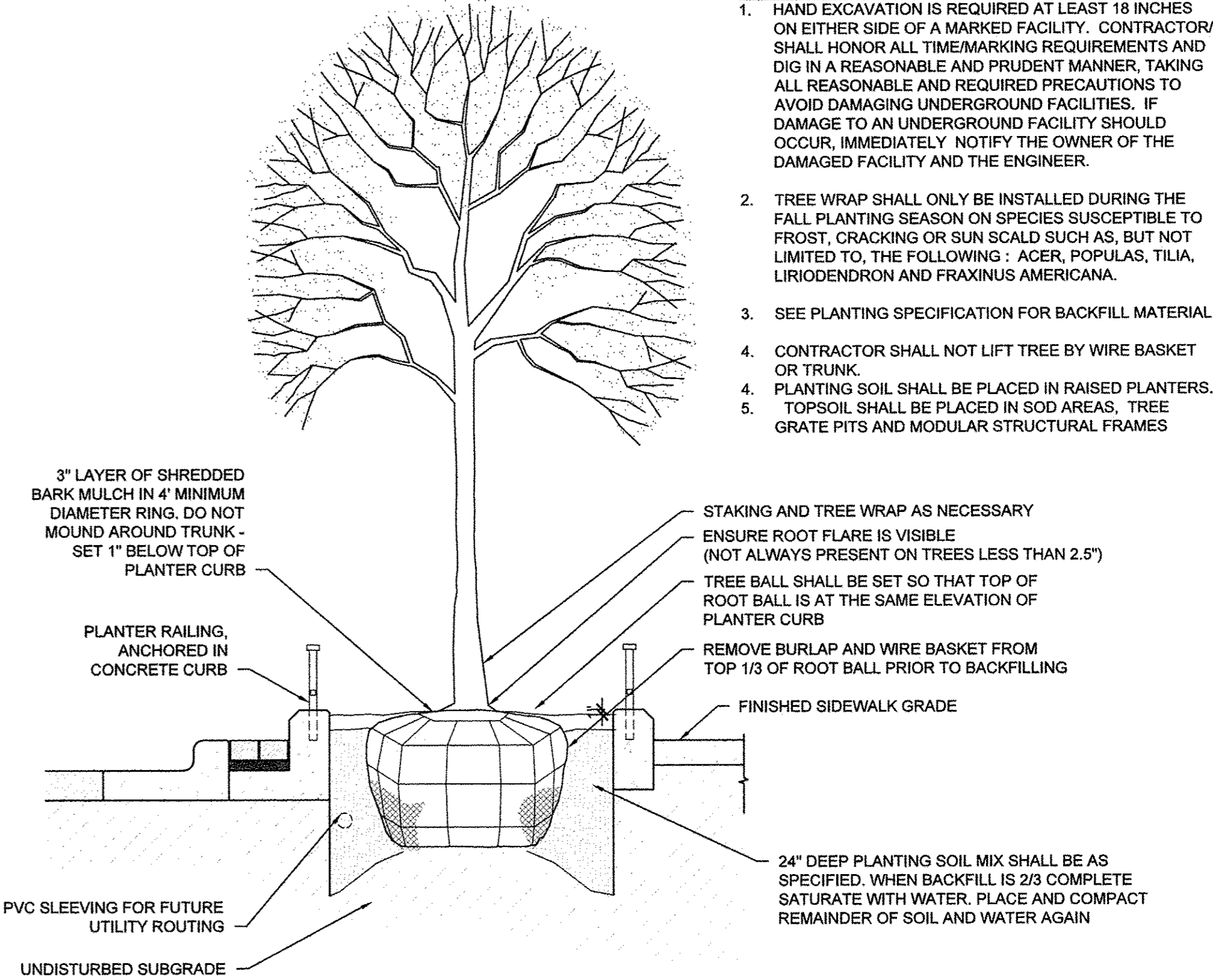
6 6'H CONSTRUCTION FENCE ELEVATION
NOT TO SCALE



1 TREE PLANTING DETAIL AT TREE GRATE IN PCC SIDEWALK
1/2" = 1'-0"

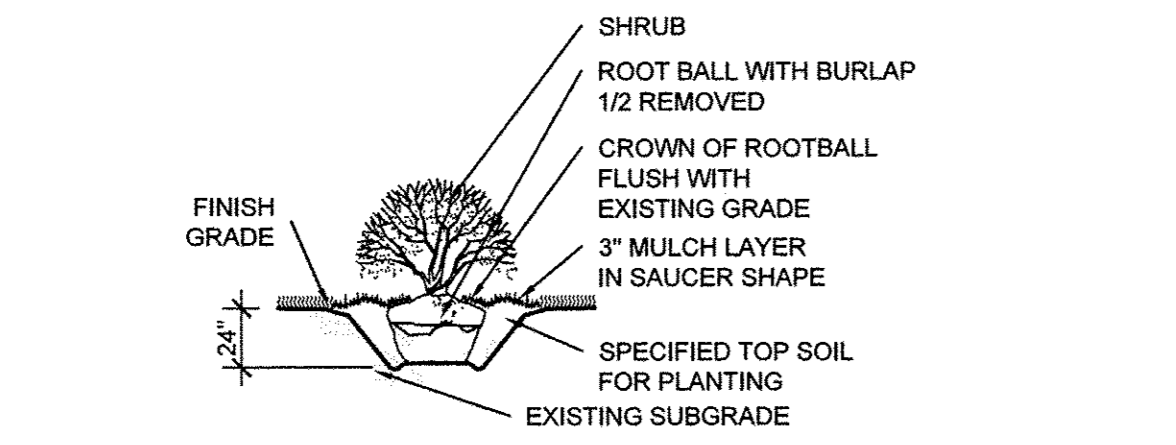


2 TREE PLANTING DETAIL IN SOD
1/2" = 1'-0"

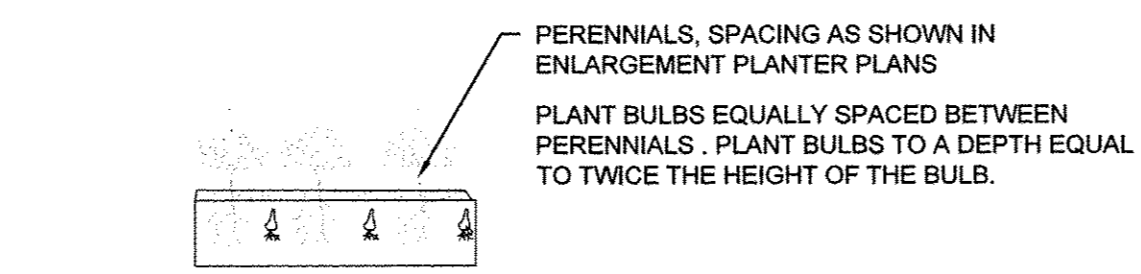


3 TREE PLANTING DETAIL IN PLANTER CURB
1/2" = 1'-0"

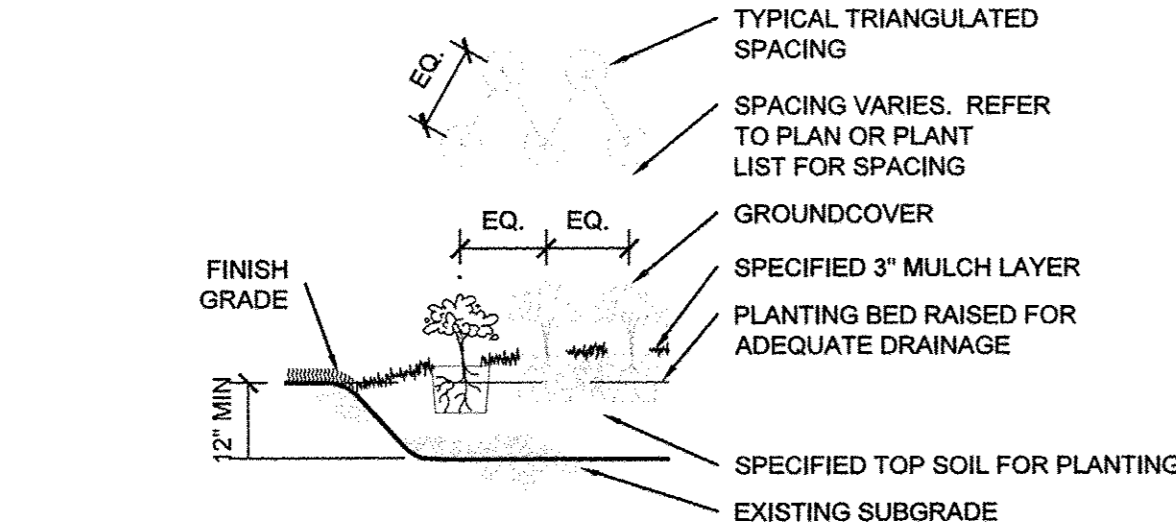
- TREE PLANTING NOTES:**
- HAND EXCAVATION IS REQUIRED AT LEAST 18 INCHES ON EITHER SIDE OF A MARKED FACILITY. CONTRACTOR SHALL HONOR ALL TIME/MARKING REQUIREMENTS AND DIG IN A REASONABLE AND PRUDENT MANNER, TAKING ALL REASONABLE AND REQUIRED PRECAUTIONS TO AVOID DAMAGING UNDERGROUND FACILITIES. IF DAMAGE TO AN UNDERGROUND FACILITY SHOULD OCCUR, IMMEDIATELY NOTIFY THE OWNER OF THE DAMAGED FACILITY AND THE ENGINEER.
 - TREE WRAP SHALL ONLY BE INSTALLED DURING THE FALL PLANTING SEASON ON SPECIES SUSCEPTIBLE TO FROST, CRACKING OR SUN SCALD SUCH AS, BUT NOT LIMITED TO, THE FOLLOWING: ACER, POPULAS, TILIA, LIRODENDRON AND FRAXINUS AMERICANA.
 - SEE PLANTING SPECIFICATION FOR BACKFILL MATERIAL.
 - CONTRACTOR SHALL NOT LIFT TREE BY WIRE BASKET OR TRUNK.
 - PLANTING SOIL SHALL BE PLACED IN RAISED PLANTERS. TOPSOIL SHALL BE PLACED IN SOD AREAS, TREE GRATE PITS AND MODULAR STRUCTURAL FRAMES



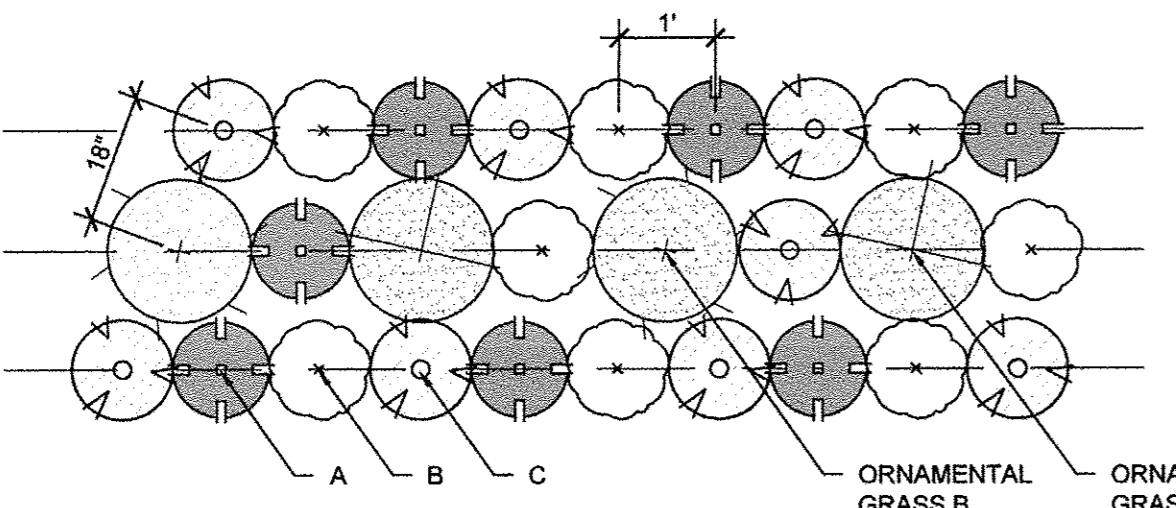
4 STANDARD SHRUB INSTALLATION
1/4" = 1'-0"



5 BULB DETAIL
1/4" = 1'-0"



6 GROUND COVER/PERENNIAL INSTALLATION
1/4" = 1'-0"



7 INTERPLANTING DETAIL
1/4" = 1'-0"

GENERAL PLANTING NOTES

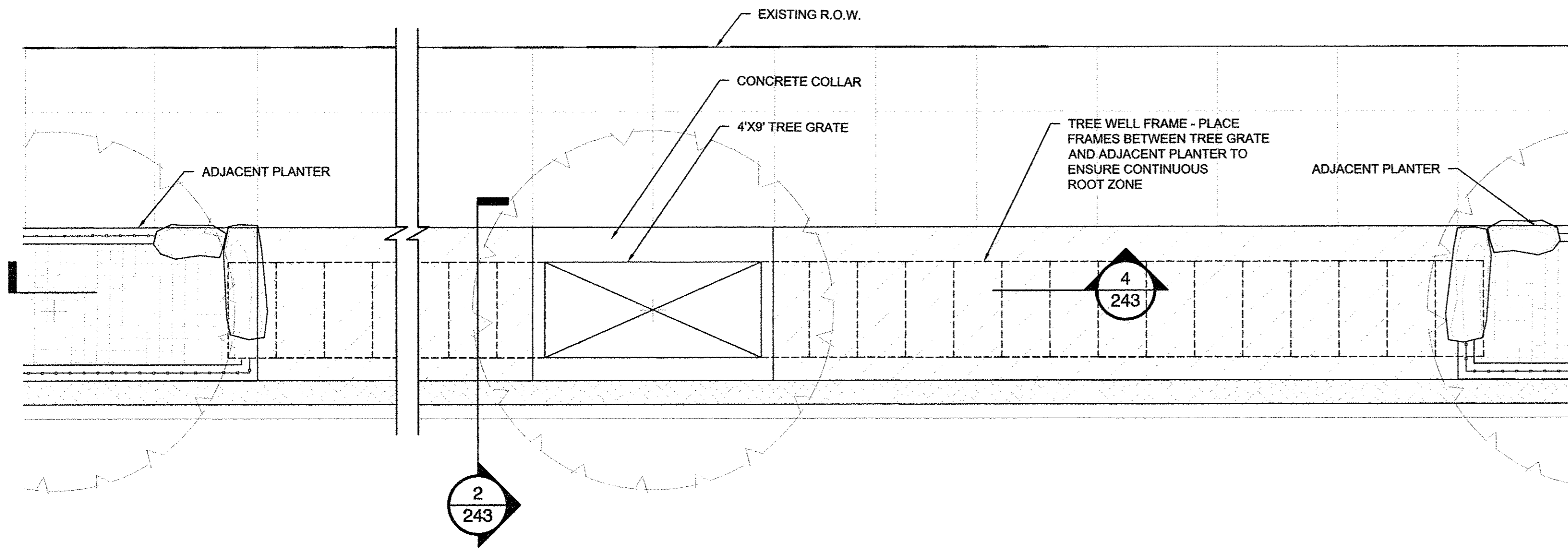
- CONTRACTOR SHALL VERIFY SITE CONDITIONS BEFORE PROCEEDING WITH WORK AND SHALL REPORT ANY CONFLICT TO A/E.
- EXACT LOCATIONS OF ALL UNDERGROUND UTILITIES SHALL BE DETERMINED AND VERIFIED IN THE FIELD BY CONTRACTOR. CONTRACTOR SHALL REPORT ANY CONFLICTS TO A/E PRIOR TO BEGINNING WORK.
- THE CONTRACTOR SHALL COORDINATE THIS WORK WITH OTHER TRADES AND MAINTAIN DRAINAGE DURING CONSTRUCTION.
- CONTRACTOR SHALL KEEP ALL AREAS CLEAN, NEAT AND ORDERLY AT ALL TIMES.
- CONTRACTOR SHALL PROTECT EXISTING VEGETATION OUTSIDE THE LIMITS OF GRADING. ALL EXISTING PARKWAY TREES AND EXISTING INTERIOR TREES SHALL BE PROTECTED WHILE PROJECT IS UNDER CONSTRUCTION AND SHALL BE REPLACED IF DAMAGED BY CONTRACTOR.
- CONTRACTOR SHALL INFORM A/E AS EACH PHASE OF WORK IS UNDERTAKEN.
- SLOPE ALL PLANTING AREAS AWAY FROM BUILDING AT 2% MINIMUM GRADE.
- FINISH GRADE SHALL BE 4" MINIMUM BELOW BUILDING FINISH FLOOR ELEVATION (ADJACENT TO BUILDING SLABS). ALL AREAS SHALL BE RECEIVED BY CONTRACTOR AT +/- 0.1 FOOT TO FINISH GRADE.
- FINISH GRADE SHALL BE 1" BELOW FINISH PAVING SURFACE IN LAWN AREAS AND 2" IN PLANTING AREAS.
- PLANT QUANTITIES SHOWN ON DRAWINGS ARE APPROXIMATE. CONTRACTOR SHALL PROVIDE PLANT MATERIALS SUFFICIENT TO COVER AREAS SHOWN ON PLANS AT THE SPACINGS INDICATED.
- AT LEAST ONE PLANT OF EACH SPECIES DELIVERED TO THE SITE WILL HAVE AN IDENTIFICATION TAG FROM THE SUPPLYING NURSERY SHOWING COMMON AND BOTANICAL PLANT NAMES. ALL PLANTS SHALL BE PROTECTED AGAINST HEAT, SUN, WIND AND FROST DURING TRANSPORTATION TO THE SITE AND WHILE BEING HELD AT THE SITE. DO NOT STORE PLANTS IN TOTAL DARKNESS MORE THAN ONE DAY.
- DO NOT DAMAGE PLANT ROOT BALL DURING TRANSPORTATION OR PLANTING.
- CONTRACTOR SHALL NOTIFY THE ENGINEER AT THE TIME OF DELIVERY OF ANY PLANT MATERIAL THAT IS DAMAGED OR IN POOR CONDITION TO DETERMINE ACCEPTABILITY.
- ALL TREES SHALL BE SINGLE TRUNK STANDARDS UNLESS OTHERWISE NOTED.
- ALL ROCK AND DEBRIS 1" AND LARGER SHALL BE REMOVED FROM PLANTING AREAS AND THEN LEGALLY DISPOSED OF OFF SITE. ALL EXCESS MATERIALS RESULTING FROM CONTRACT WORK SHALL BE LEGALLY DISPOSED OF OFF SITE BY CONTRACTOR.
- ENGINEER RESERVES THE RIGHT TO INSPECT ALL PLANT MATERIALS BEFORE PLANTING. MATERIAL MAY BE REJECTED AT ANY TIME DUE TO CONDITION, FORM OR DAMAGE BEFORE OR AFTER PLANTING. CONTRACTOR SHALL STAKE LOCATION OF ALL TREES, HEDGE LINES AND PLANTING BEDS AND HAVE LAYOUT APPROVED BY ENGINEER PRIOR TO PLANTING.

- THE PLANTING PLANS ARE DIAGRAMMATIC. PLANT MATERIALS SHALL BE SPOTTED APPROXIMATELY AS SHOWN ON THE LANDSCAPE DRAWING AND ARE TO BE APPROVED BY THE A/E BEFORE BEING REMOVED FROM CONTAINERS AND EXCAVATING SOIL FOR PLANTING.
- INSTALL ALL PLANT MATERIAL IN ACCORDANCE WITH DETAILS. ALL FINISH GRADING AND PLANTING OPERATIONS SHALL BE CARRIED OUT IN ACCORDANCE WITH PROJECT SPECIFICATIONS.
- ALL PLANT TYING MATERIAL AND MARKING TAPES SHALL BE REMOVED AT THE TIME OF PLANTING.
- PROVIDE NEW TOPSOIL THAT IS FERTILE, FRIABLE AND NATURAL LOAM SURFACE SOIL, REASONABLY FREE OF SUBSOIL, CLAY, CLAY LUMPS, BRUSH, WEEDS, AND OTHER LITTER AND FREE OF ROOTS, STUMPS, STONES LARGER THAN 2" IN ANY DIMENSION AND OTHER EXTRANEIOUS OR TOXIC MATTER HARMFUL TO PLANT GROWTH. OBTAIN TOPSOIL FROM LOCAL SOURCES OR FROM AREAS HAVING SIMILAR SOIL CHARACTERISTICS TO THAT NECESSARY FOR VIGOROUS GROWTH OF SPECIFIED PLANTINGS. OBTAIN TOPSOIL THAT OCCURS IN A DEPTH OF NOT LESS THAN 6". DO NOT OBTAIN SOIL FROM BOGS OR MARSHES.
- CONTRACTOR SHALL INSTALL A MIN 3" LAYER OF HARDWOOD BARK MULCH (SEE SPECS.) AROUND ALL TREES AND IN ALL GROUND COVER / SHRUB AREAS. CREATE A NATURAL SPADED EDGE WHERE PLANTING BEDS MEET TURF AREAS.
- WATER ALL PLANTS IMMEDIATELY AFTER PLANTING. FLOOD PLANTS TWICE DURING FIRST TWENTY-FOUR HOUR PERIOD OF PLANTING.
- CONTRACTOR SHALL REPAIR TO ITS ORIGINAL CONDITION ANY AREA OR ITEM DAMAGED AS A RESULT OF THEIR WORK. ANY EXISTING LANDSCAPE INDICATED ON THE PLANS THAT IS DAMAGED OR REMOVED DURING DEMOLITION OR CONSTRUCTION SHALL BE REPAIRED AND/OR REPLACED IN KIND AND EQUIVALENT SIZE. CONTRACTOR SHALL REPAIR AND SOD IN KIND ALL TURF AREAS DAMAGED AS A RESULT OF PROJECT CONSTRUCTION.
- CONTRACTOR TO GUY AND STAKE TREES, IF REQUIRED, AS DIRECTED BY ENGINEER, IMMEDIATELY AFTER PLANTING. PROVIDE A MINIMUM OF TWO GUY TIES PER TREE ON THE UPHILL SIDE OF TREES PLANTED ON SLOPES STEEPER THAN 3:1.
- WHEN REQUIRED, PROVIDE TIES OF FLAT WOVEN POLYPROPYLENE, ROUNDED WEAVE AND LOCK STITCH. 3/4" WIDE WITH 900 LB. TENSILE STRENGTH.
- CONTRACTOR TO WARRANTY ALL TREES AND SHRUBS AGAINST DEATH AND DEFECTS INCLUDING UNSATISFACTORY GROWTH, EXCEPT FOR DEFECTS RESULTING FROM NEGLIGENCE BY OWNER, ABUSE OR DAMAGE BY OTHERS OR UNUSUAL PHENOMENON OR INCIDENTS WHICH ARE BEYOND THE CONTRACTOR'S CONTROL (SEE SPECS).
- REMOVE AGGREGATE FILL TO AN ADEQUATE DEPTH TO ENSURE THAT NO PART OF THE PLANT MATERIAL IS IN CONTACT OR AFFECTED BY THE LIME IN THE AGGREGATE FILL AS APPROVED BY ENGINEER.

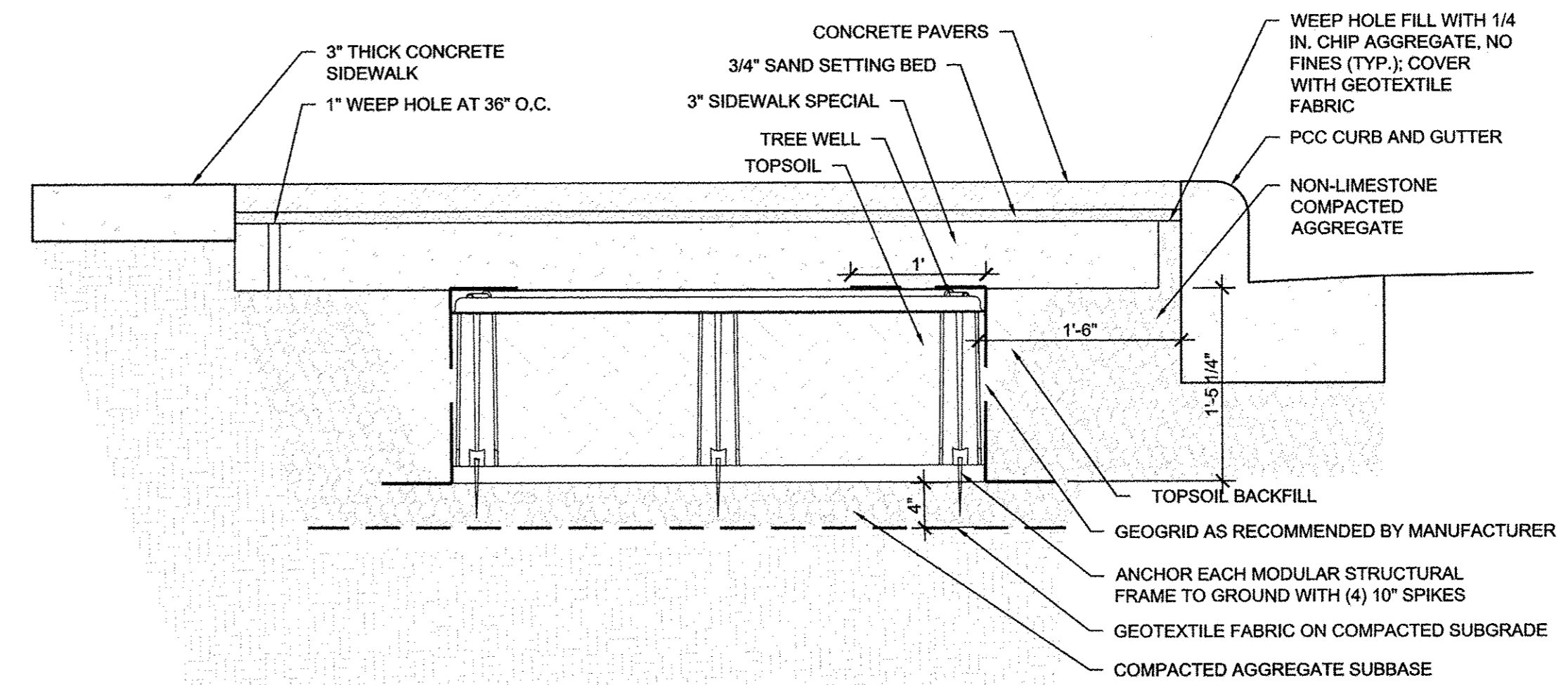
Clark Dietz
ENGINEERS

site design group ltd

FILE NAME = 7186_landdt1s.dwg	DESIGNED -- BK	REVISED --	STATE OF ILLINOIS DEPARTMENT OF TRANSPORTATION	LANDSCAPE PLANS LANDSCAPE DETAILS	F.A.U. RTE. 7126	SECTION 15-00304-02-PV	COUNTY CHAMPAIGN	TOTAL SHEETS 412	SHEET NO. 242	
PLOT DATE = 2016-03-15 9:03 AM	DRAWN -- DZ/JT/JR	REVISED --			SHEET NO. 242 OF 412 SHEETS	STA. TO STA.	MCORE PROJECT 2	CONTRACT NO. 91540	JOB NO. C-95-306-16	ILLINOIS FED. AID PROJECT TIG-5181(058)
	CHECKED -- RS, BM	REVISED --								
	DATE -- MARCH 2016	REVISED --								

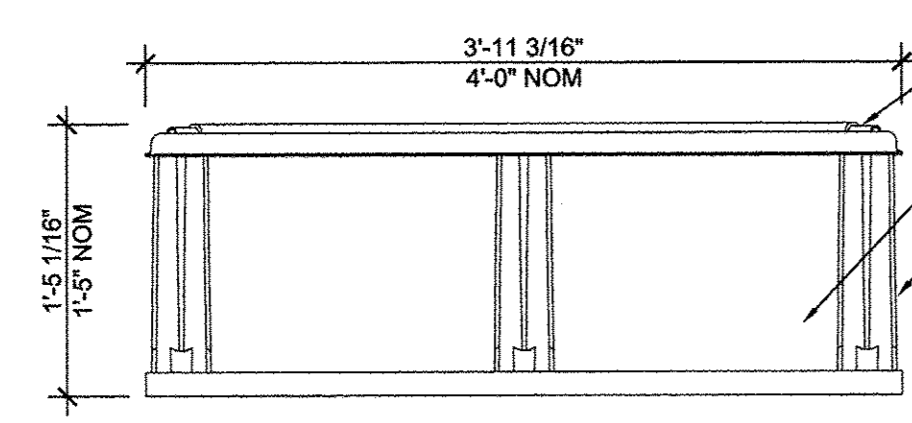
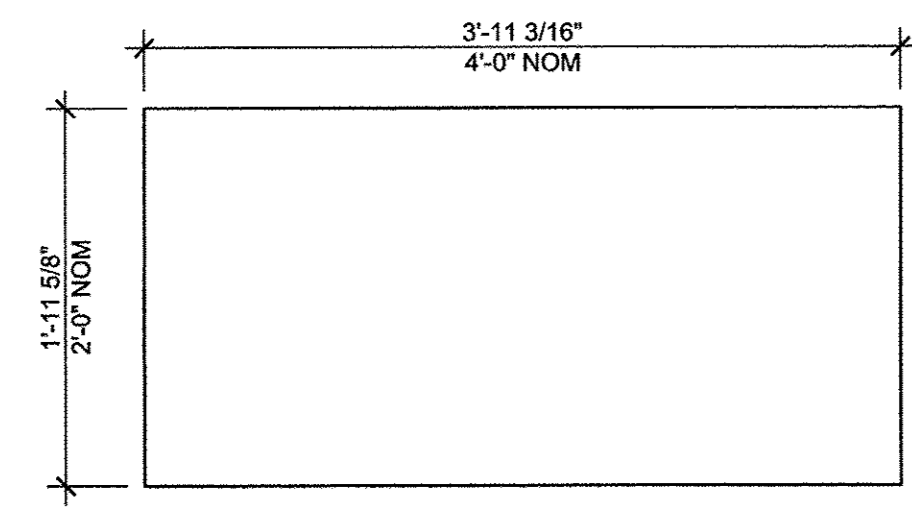


1 TREE WELL AT TREE GRATE ENLARGEMENT PLAN
1/4" = 1'-0"

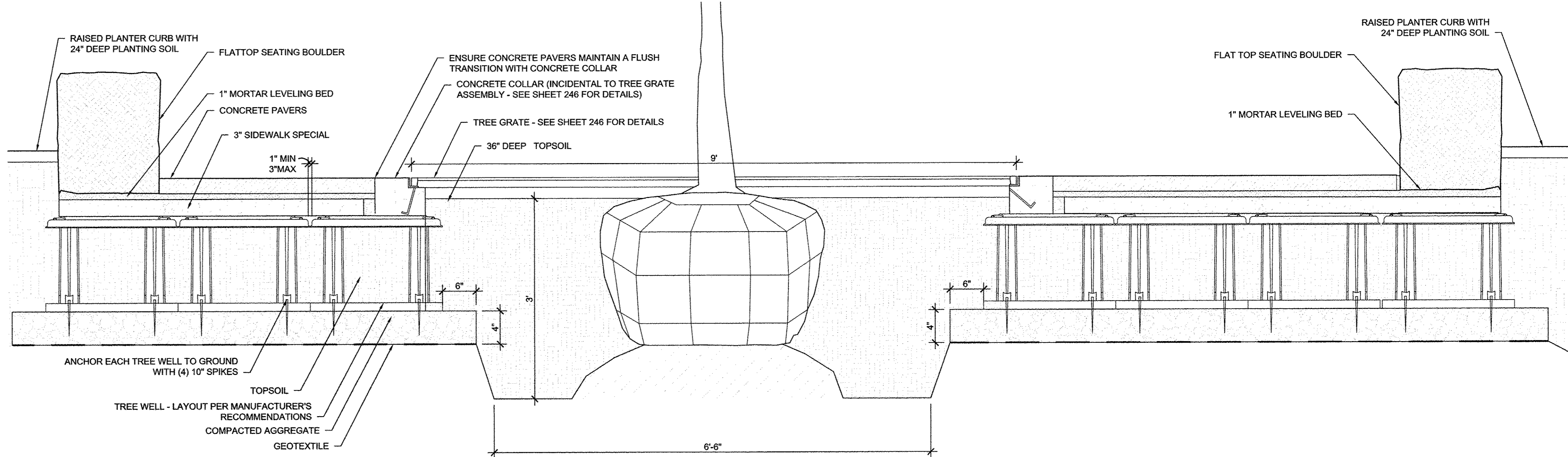


2 BACK OF CURB ENLARGEMENT DETAIL
1" = 1'-0"

- NOTES:**
- ELEMENTS INCIDENTAL TO TREE WELL INCLUDE THE FOLLOWING:
GEOGRID
GEOTEXTILE FABRIC
COMPACTED AGGREGATE SUBBASE
10" SPIKES
 - INSTALL TREE WELL PER MANUFACTURER'S RECOMMENDATIONS.
 - TREE WELL SHALL BE SPACED AT A MINIMUM OF 1" AND NO MORE THAN 3" APART.
 - PLANTING SOIL SHALL BE PLACED IN RAISED PLANTERS.
 - TOPSOIL SHALL BE PLACED IN TREE GRATE PITS AND TREE WELL



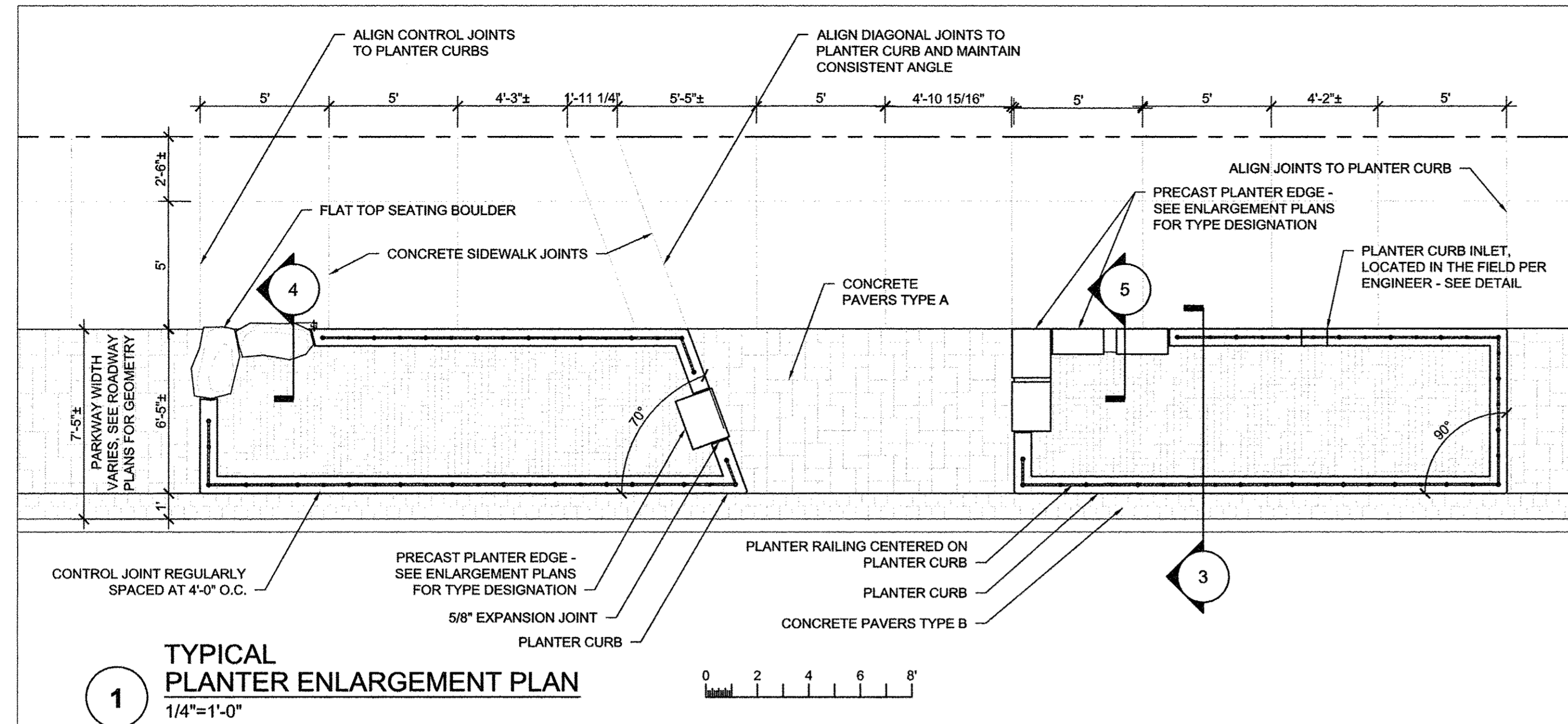
3 TREE WELL UNIT DETAIL
1/2" = 1'-0"



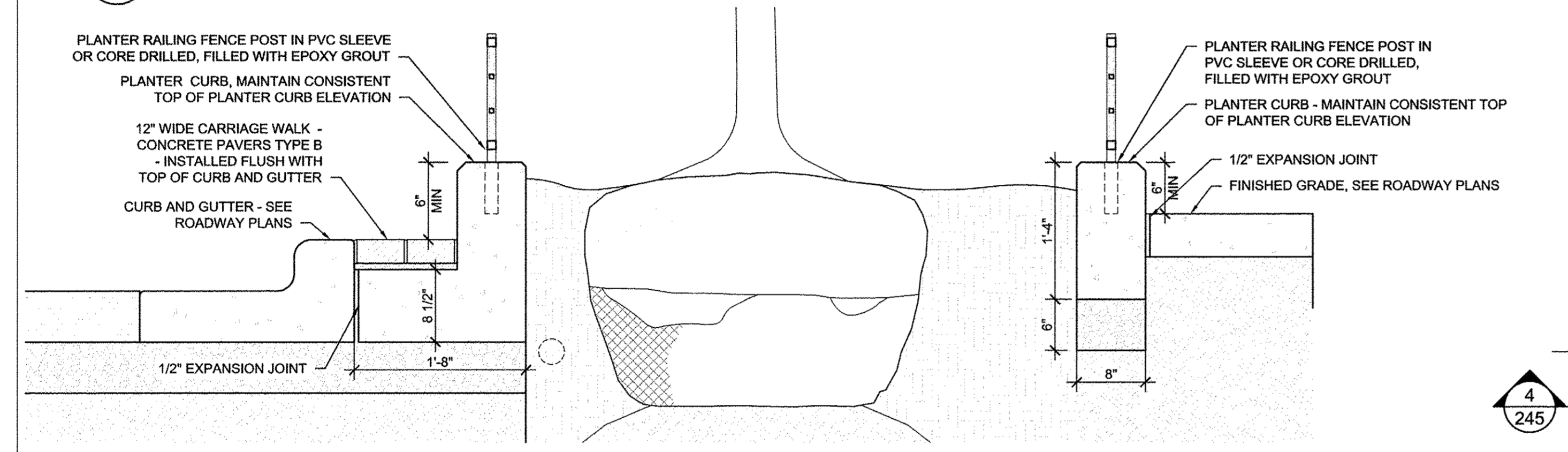
4 TREE WELL LONGITUDINAL SECTION DETAIL
1/2" = 1'-0"

Clark Dietz ENGINEERS
site design group ltd

FILE NAME = 7186_landdt1s.dwg	DESIGNED — BK	REVISED —	STATE OF ILLINOIS DEPARTMENT OF TRANSPORTATION	LANDSCAPE PLANS TREE WELL DETAILS	F.A.U. RTE.	SECTION	COUNTY	TOTAL SHEETS	SHEET NO.			
PLOT DATE = 2016-03-15 9:03 AM	DRAWN — DZ/JT/JR	REVISED —			SHEET NO. 243 OF 412 SHEETS	STA.	TO STA.	7126	15-00304-02-PV	CHAMPAIGN	412	243
	CHECKED — RS, BM	REVISED —						MCORE PROJECT 2		CONTRACT NO. 91540		
	DATE — MARCH 2016	REVISED —						JOB NO. C-95-306-16		ILLINOIS FED. AID PROJECT TIG-5181(058)		



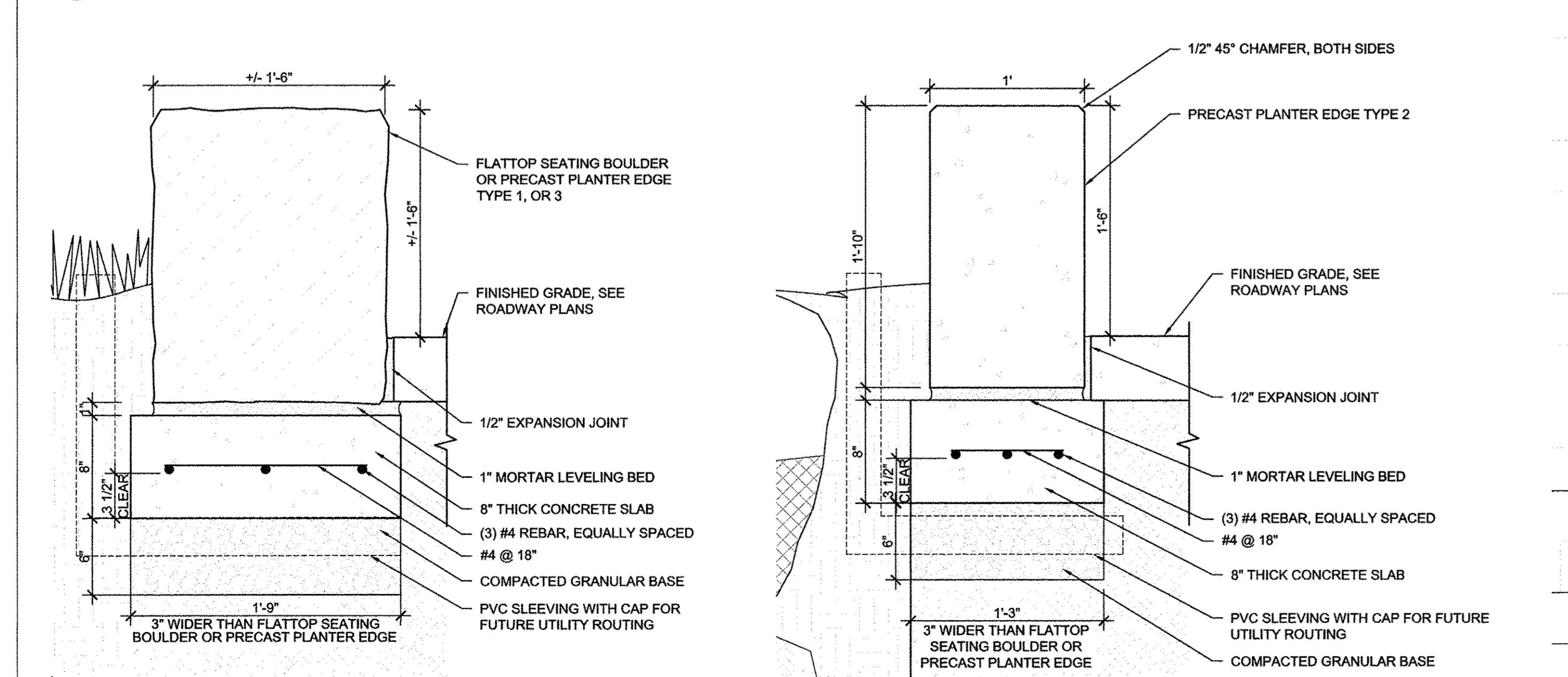
1 TYPICAL PLANTER ENLARGEMENT PLAN
1/4"=1'-0"



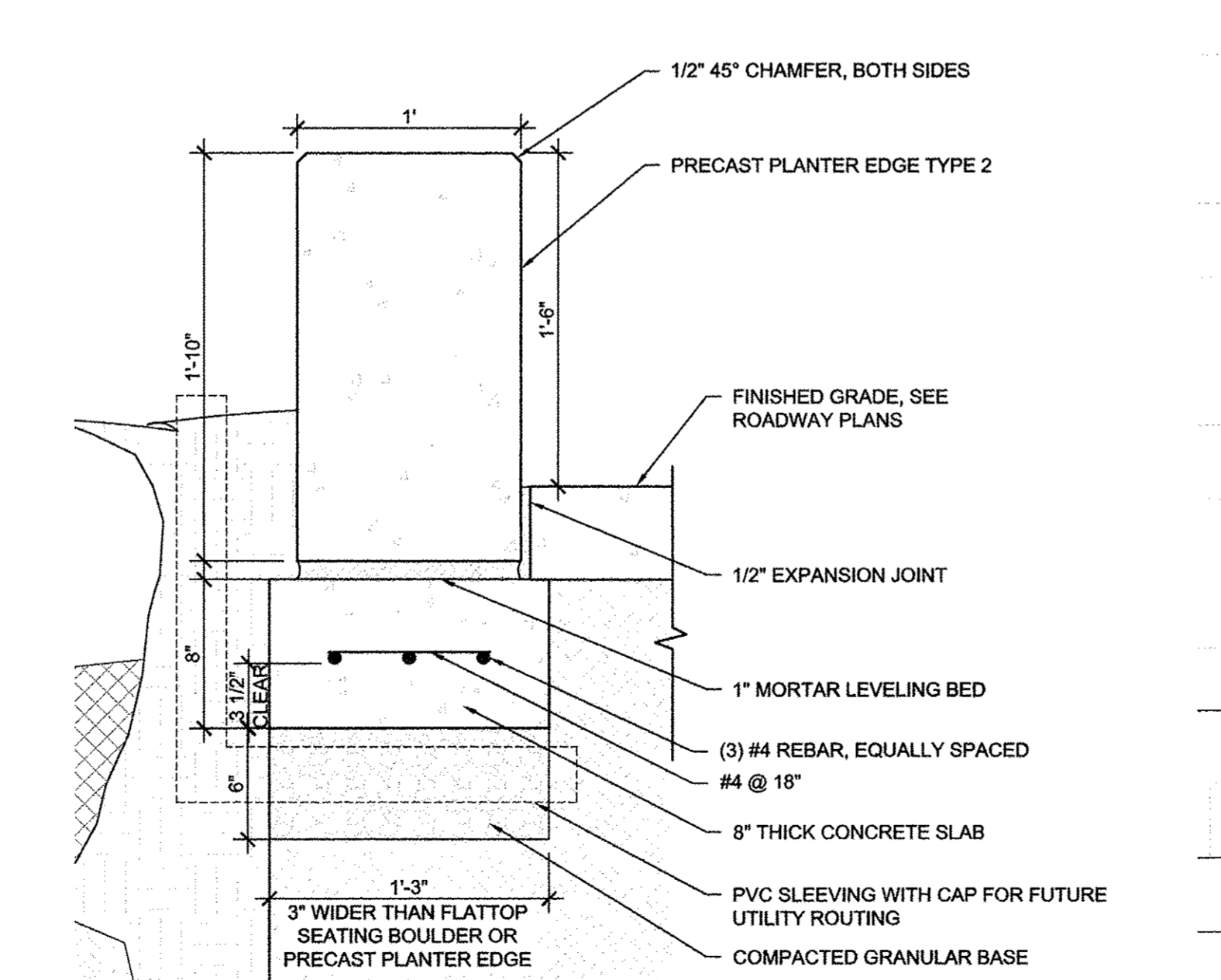
2 PRECAST PLANTER EDGE TYPE 1, 2 AND 3 ENLARGEMENT PLANS
1"=1'-0"



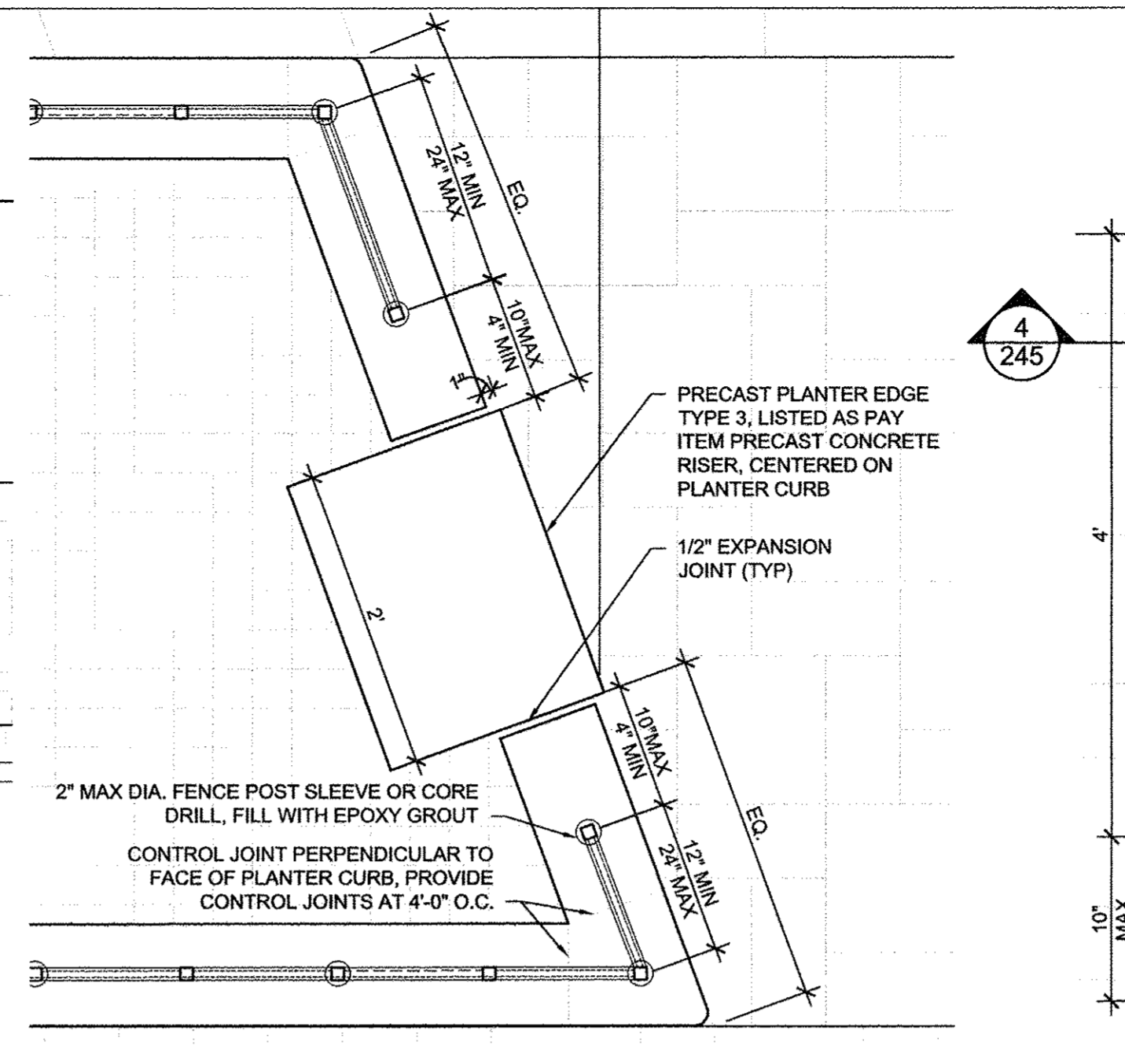
3 PLANTER SECTION DETAIL
1"=1'-0"



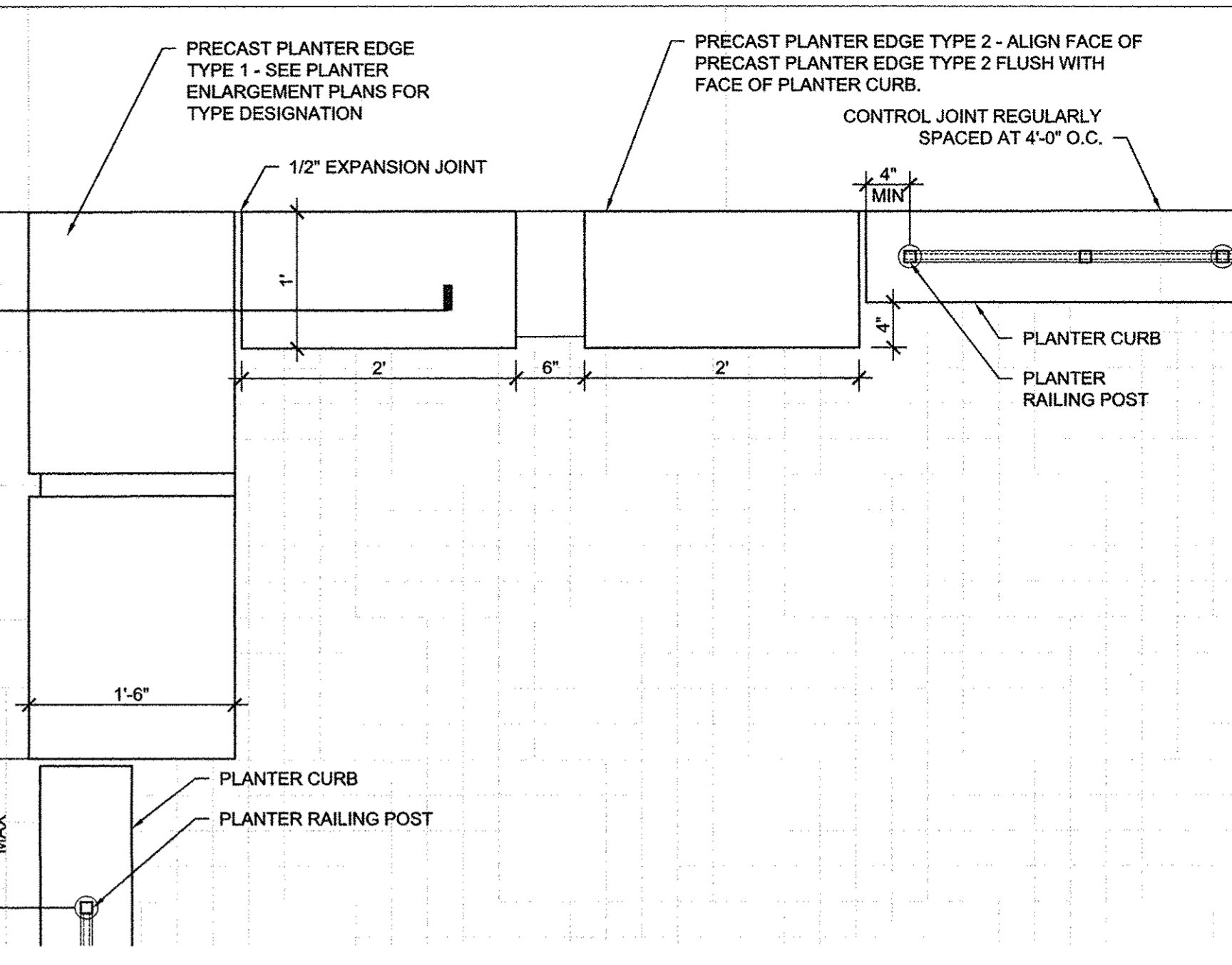
4 PRECAST PLANTER EDGE TYPE 1, 3 AND FLATTOP SEATING BOULDER DETAIL
1"=1'-0"



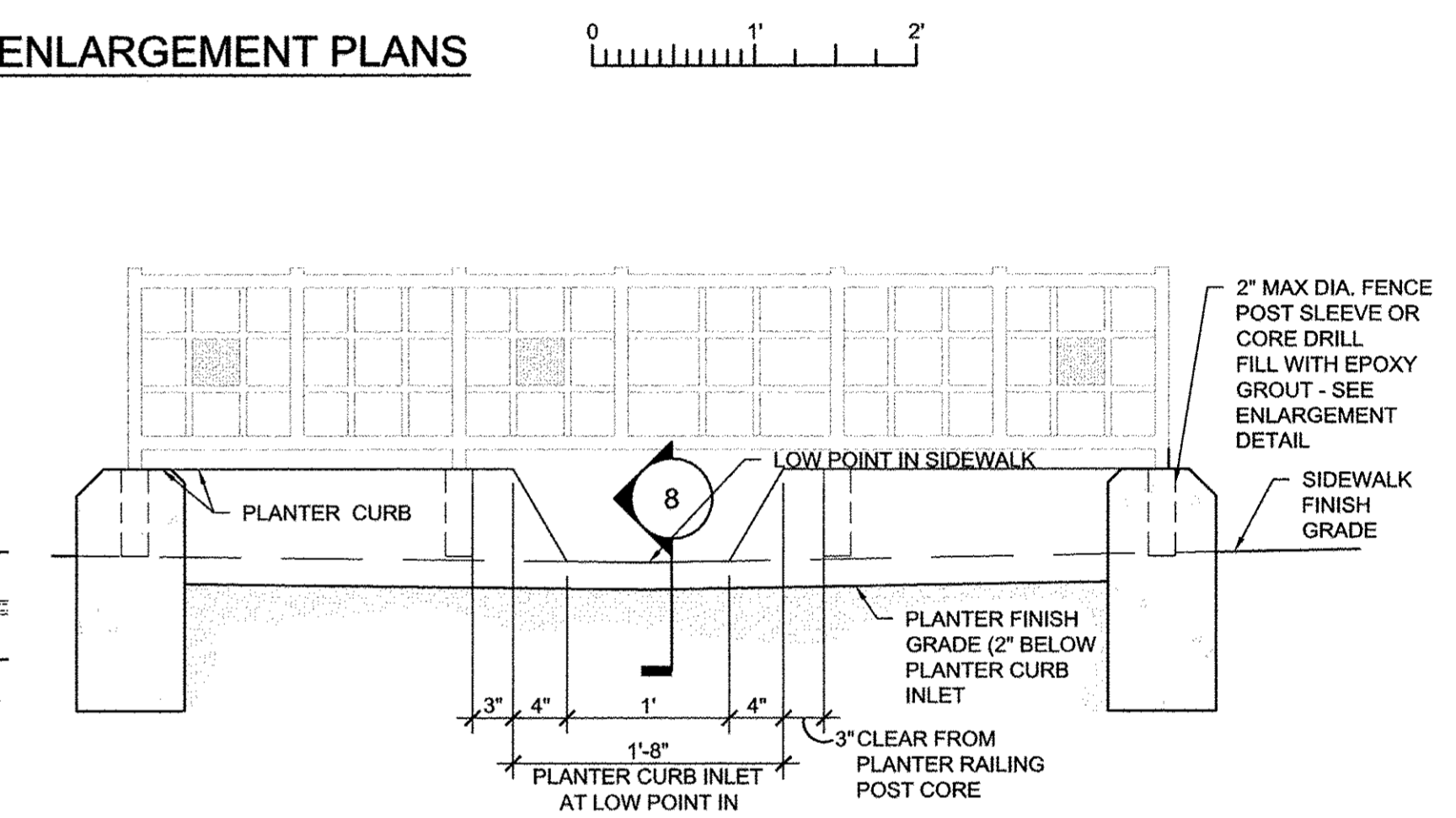
5 PRECAST PLANTER EDGE TYPE 2 SECTION DETAIL
1"=1'-0"



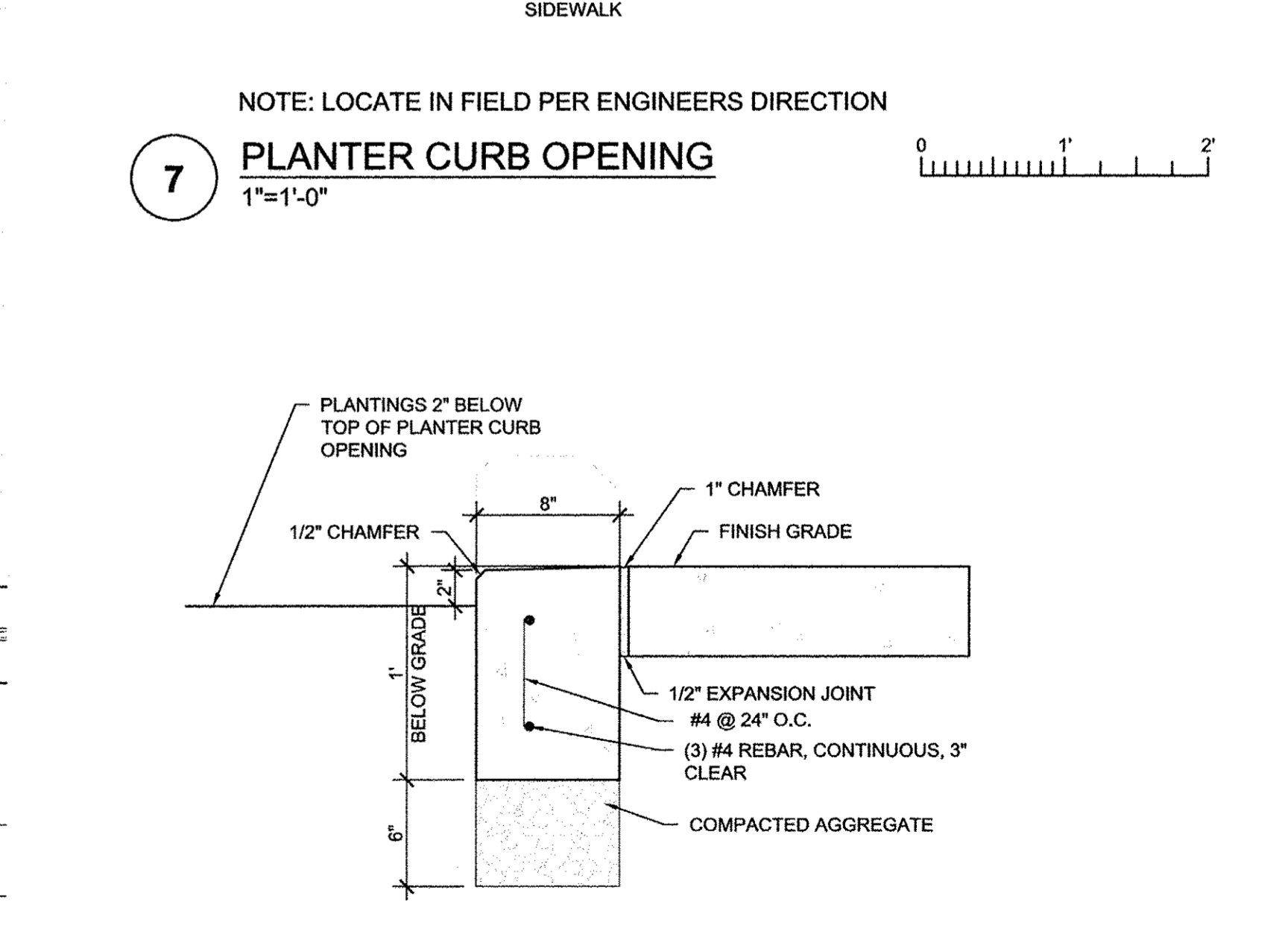
6 FLAT TOP SEATING BOULDER ENLARGEMENT PLANS
1"=1'-0"



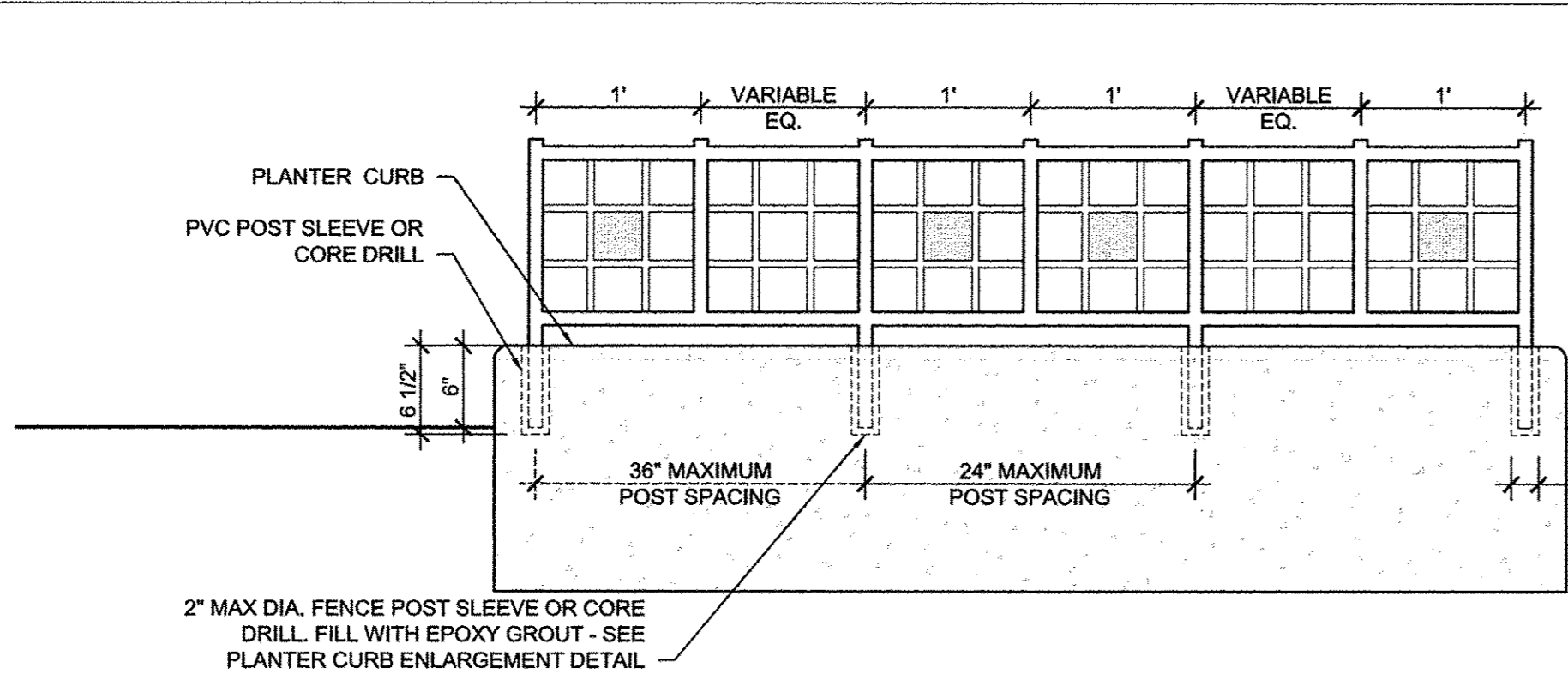
7 PLANTER CURB OPENING
1"=1'-0"



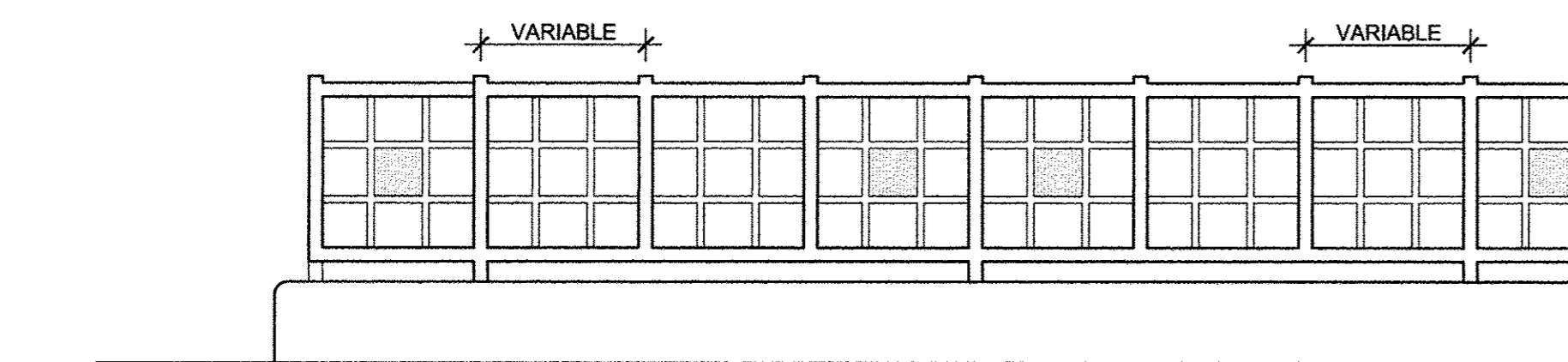
8 PLANTER CURB OPENING
1"=1'-0"



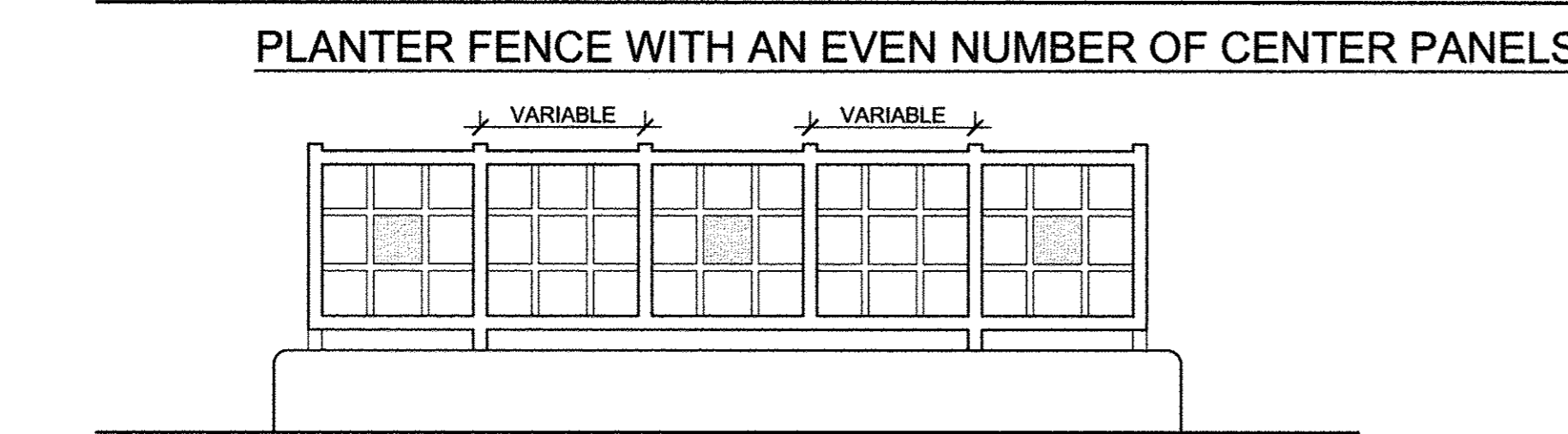
9 PLANTER CURB OPENING
1"=1'-0"



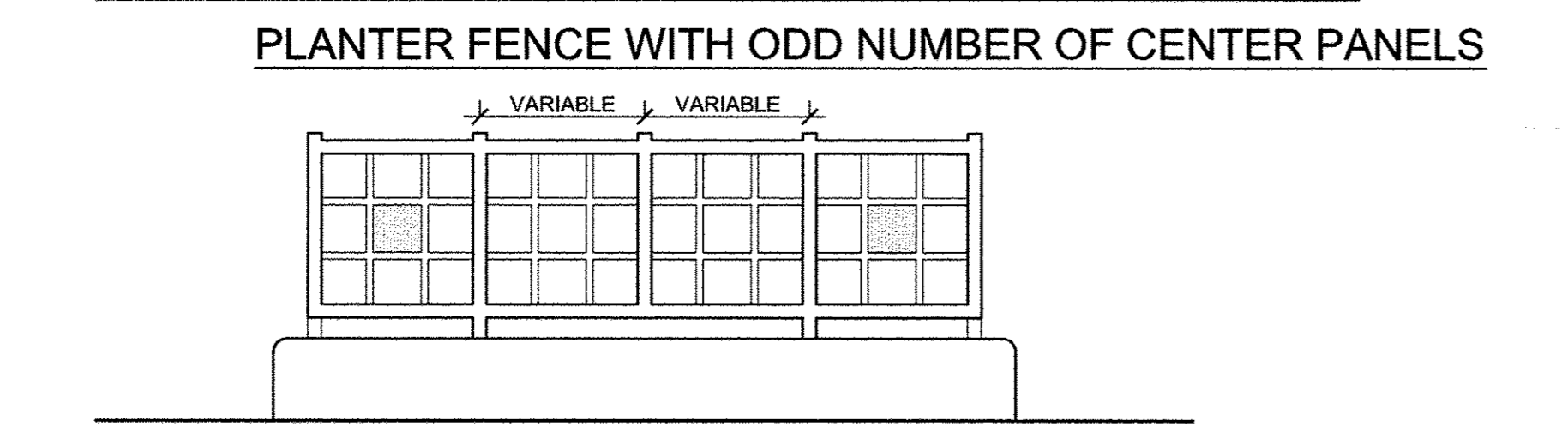
1 PLANTER RAILING DETAILS
1"=1'-0"



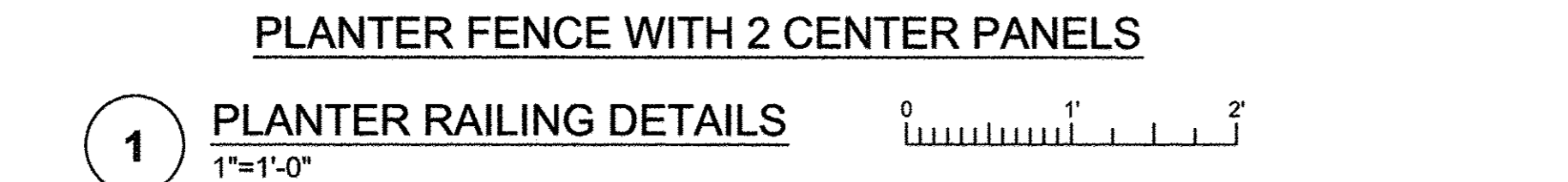
2 PLANTER RAILING ENLARGEMENT
1 1/2"=1'-0"



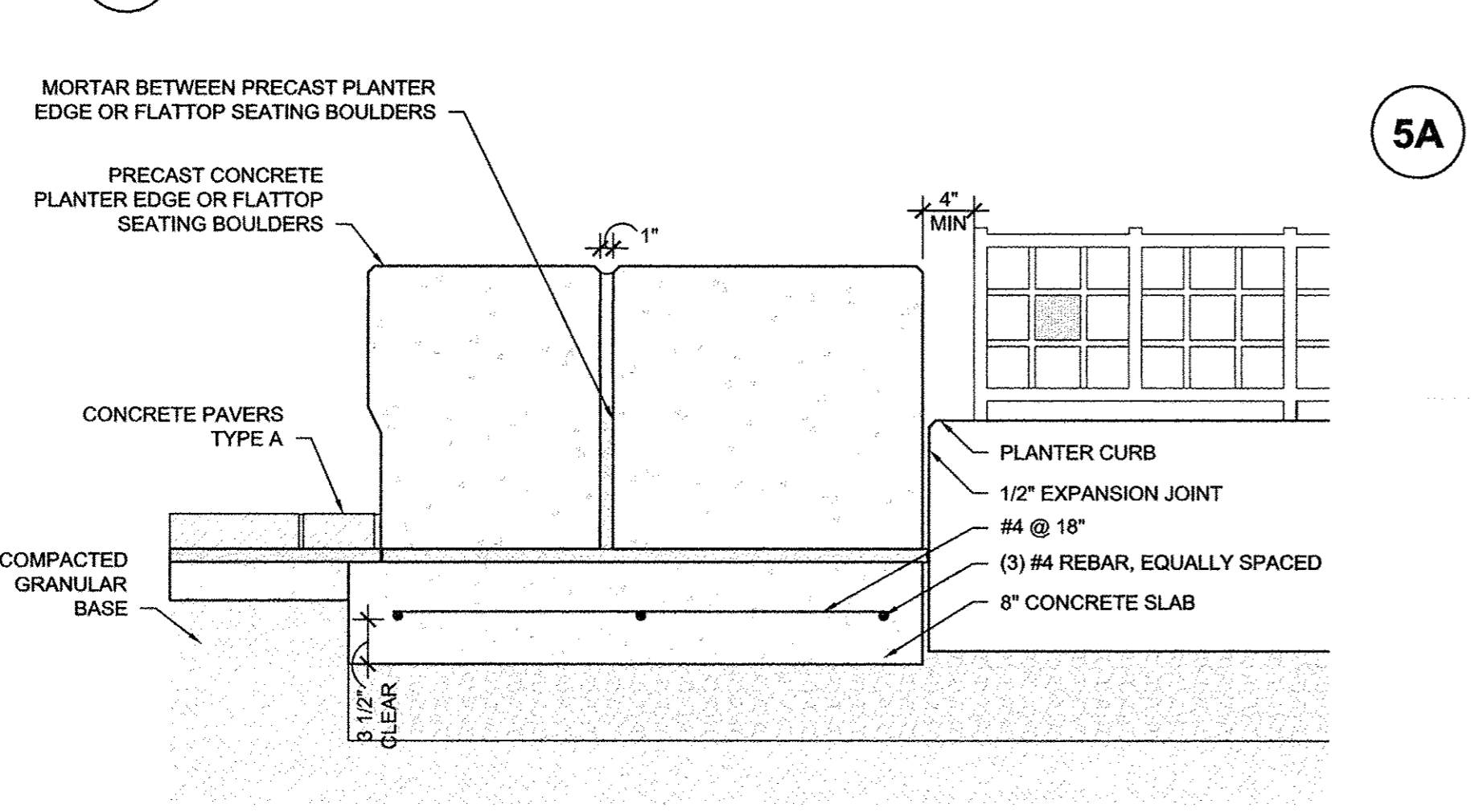
PLANTER FENCE WITH AN EVEN NUMBER OF CENTER PANELS



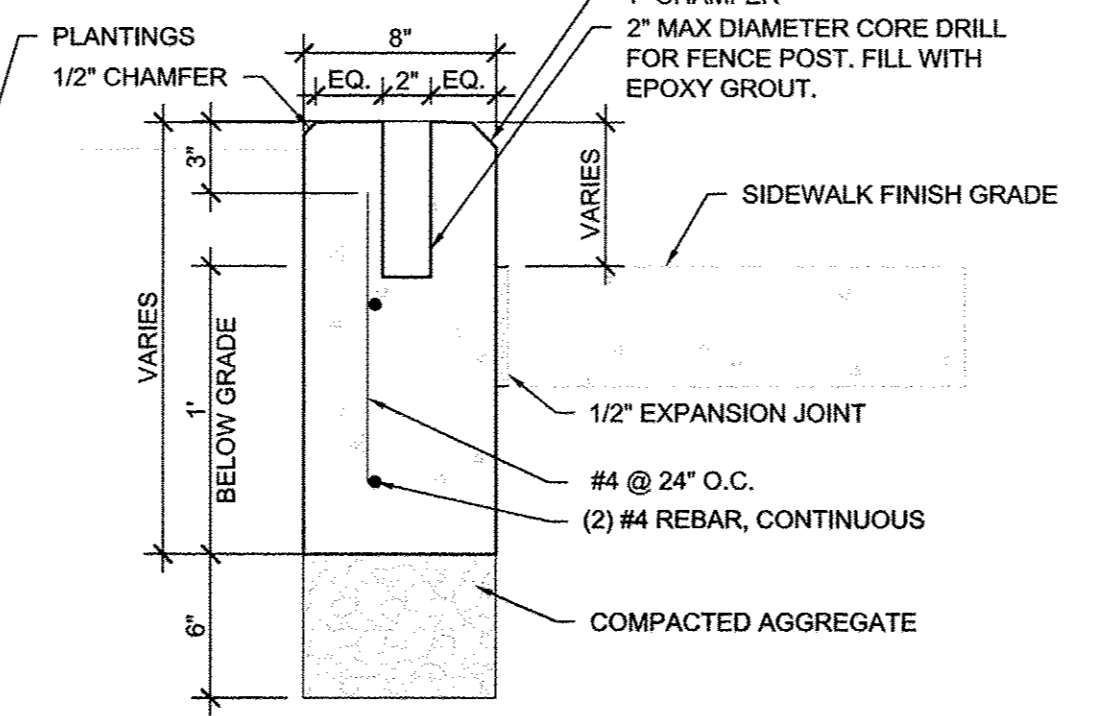
PLANTER FENCE WITH ODD NUMBER OF CENTER PANELS



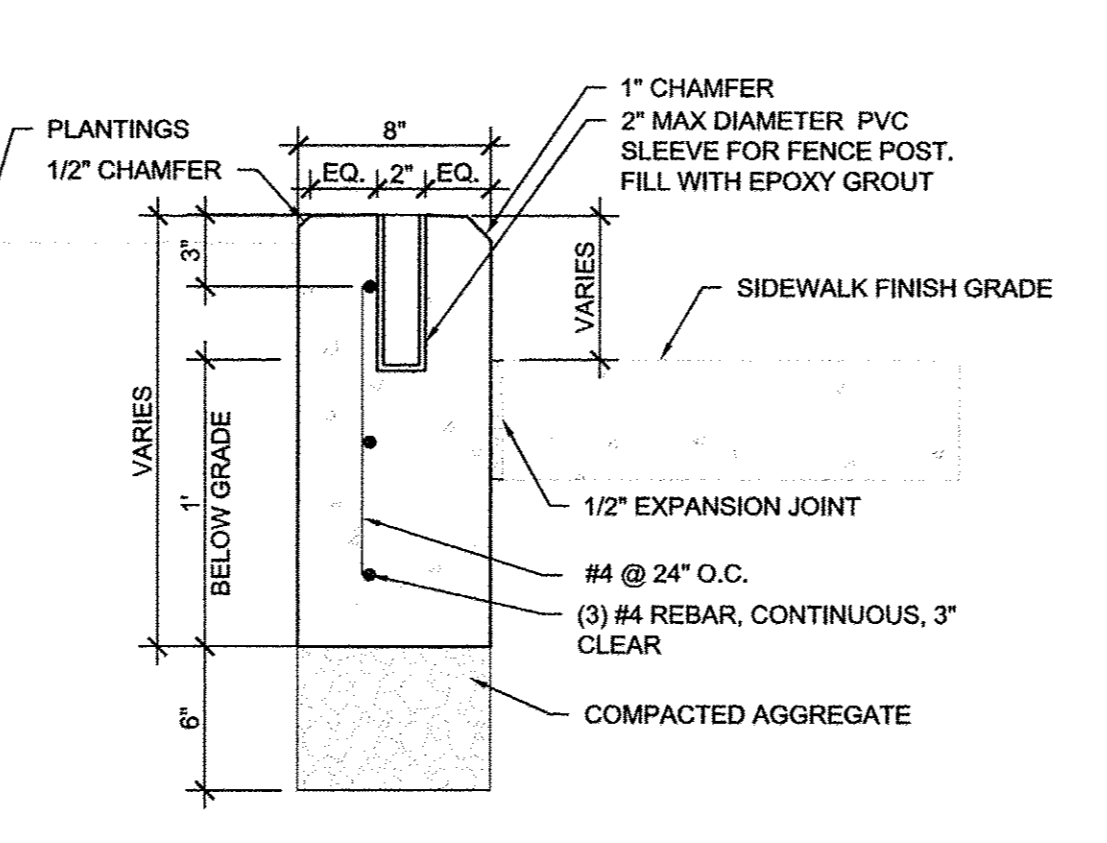
PLANTER FENCE WITH 2 CENTER PANELS



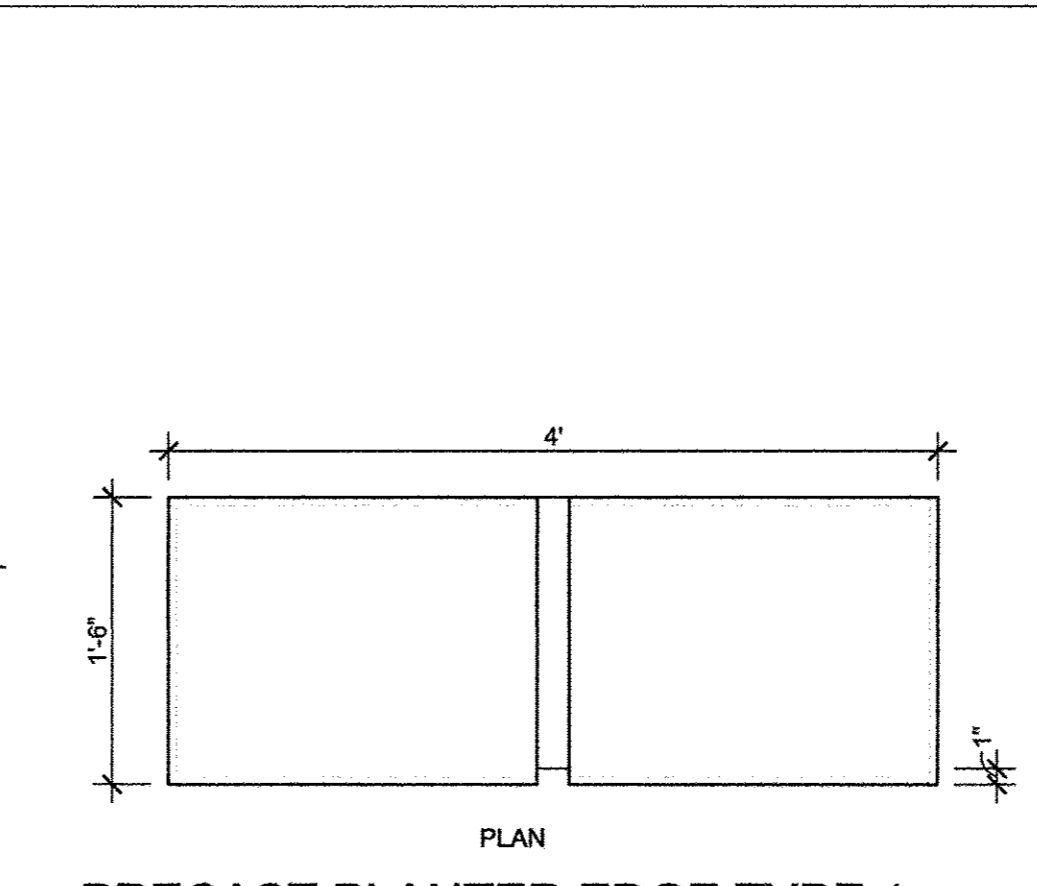
4 PRECAST PLANTER EDGE AND FLATTOP SEATING BOULDER DETAILS
1"=1'-0"



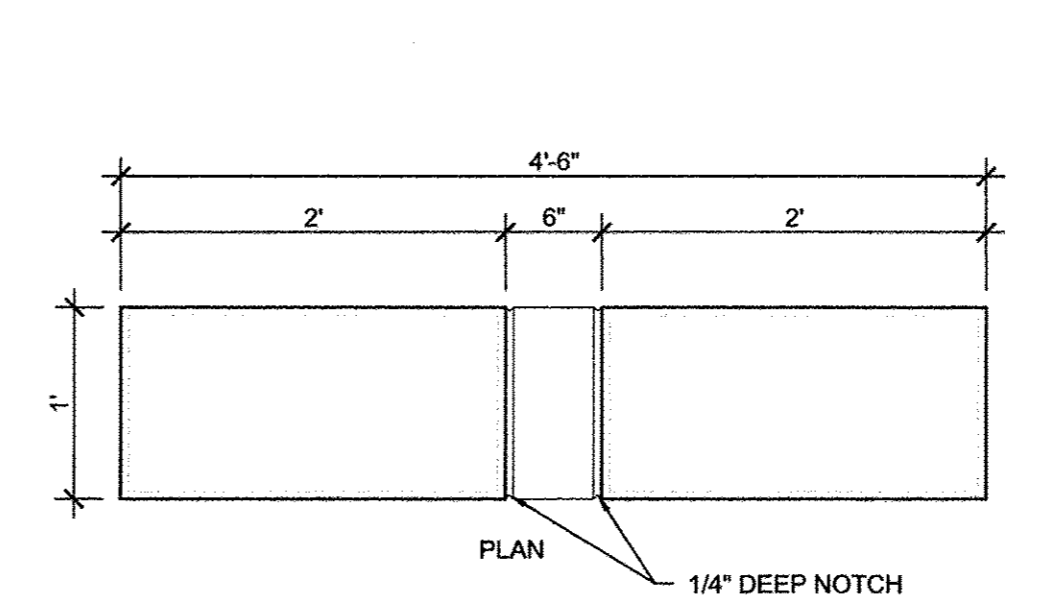
5A ALTERNATE PLANTER CURB ENLARGEMENT DETAIL
1 1/2"=1'-0"



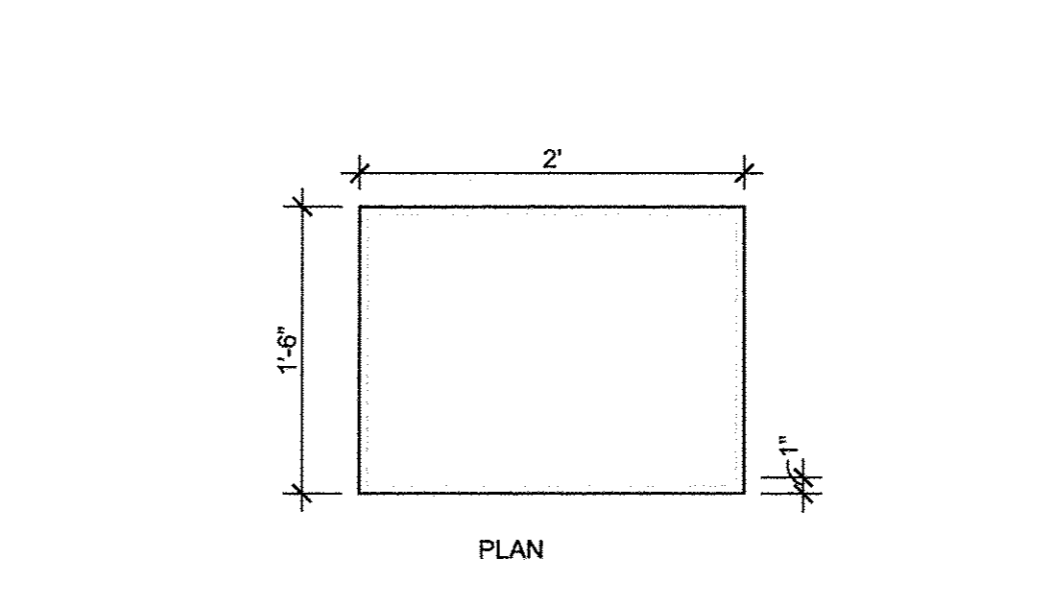
5 PLANTER CURB ENLARGEMENT DETAIL
1 1/2"=1'-0"



PRECAST PLANTER EDGE TYPE 1



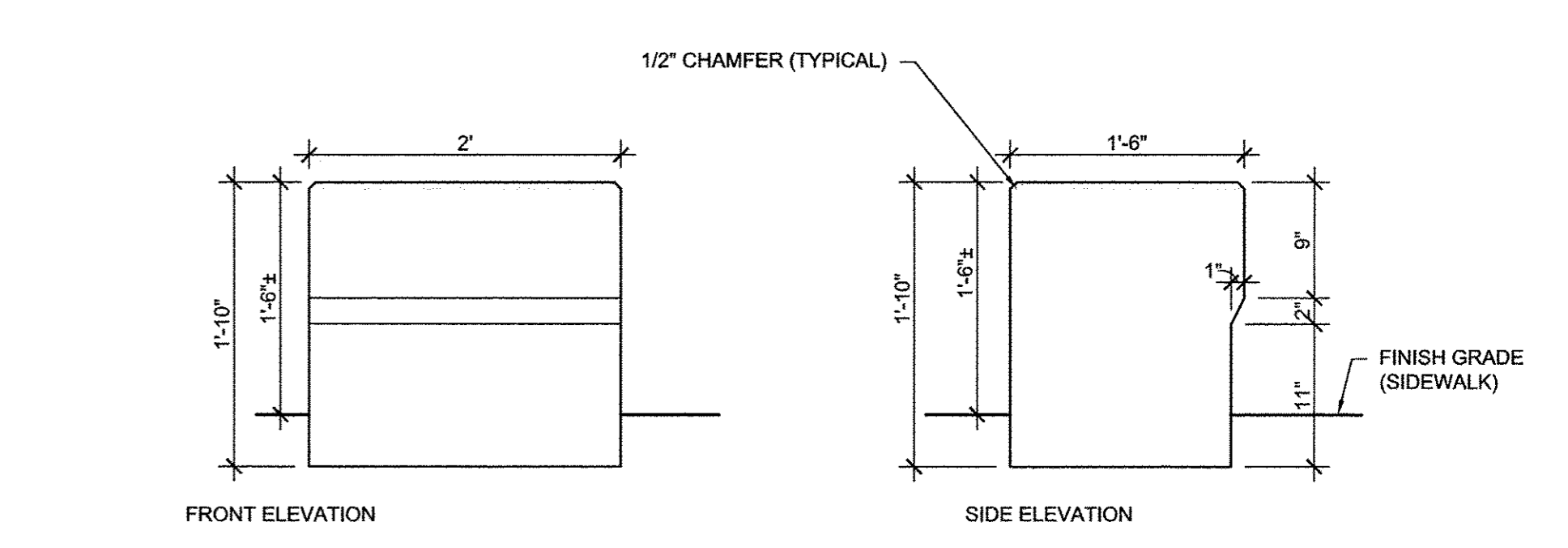
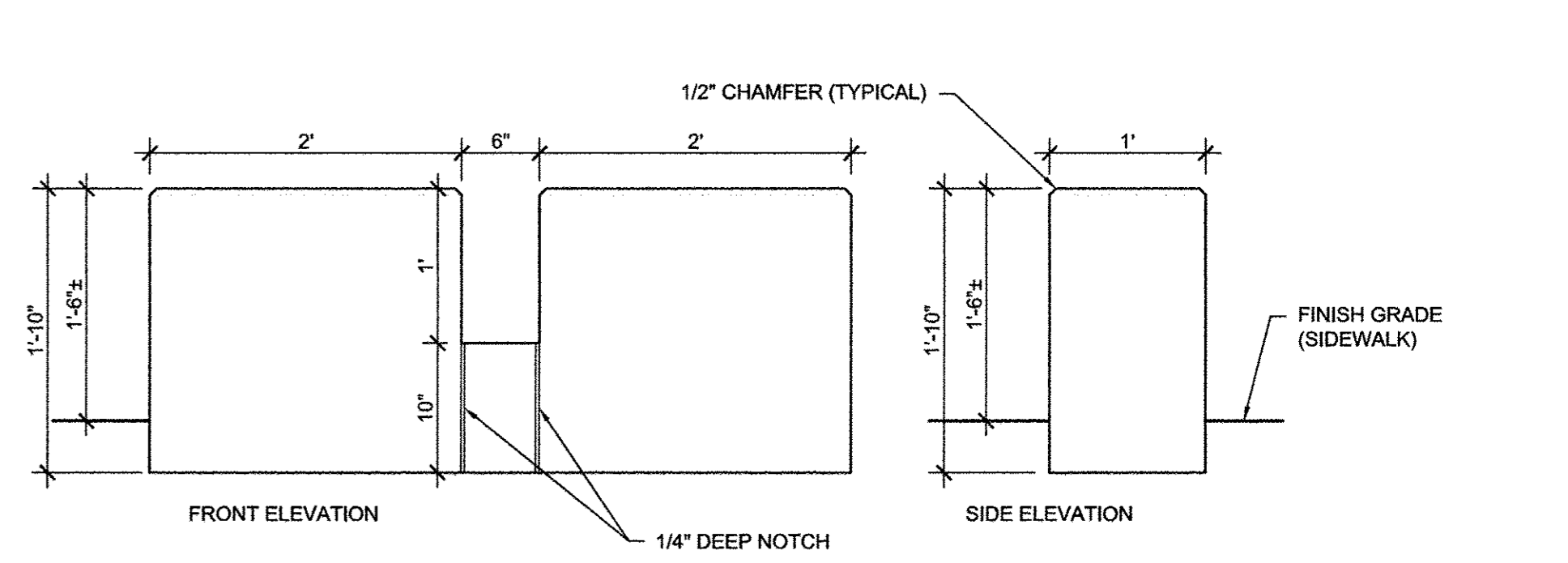
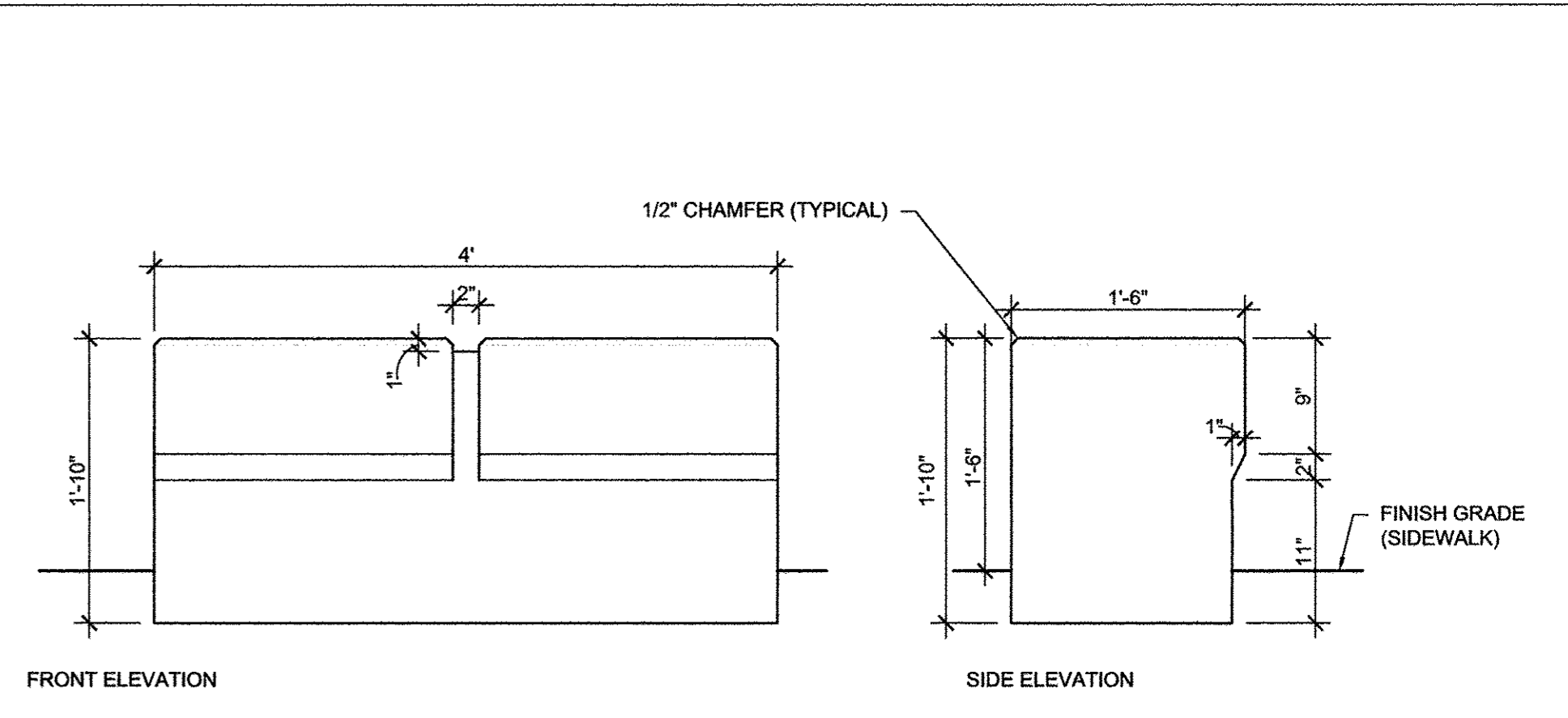
PRECAST PLANTER EDGE TYPE 2



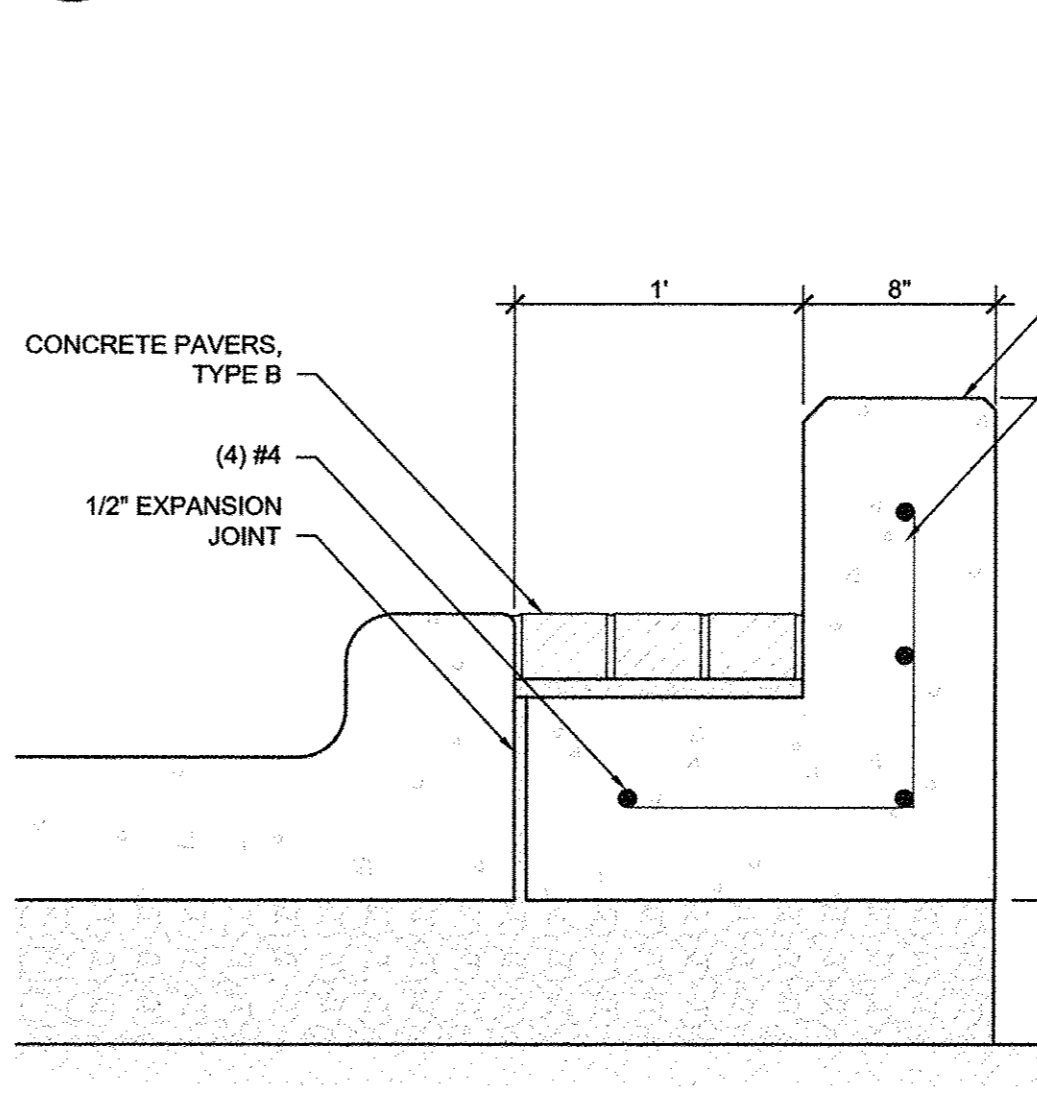
PRECAST PLANTER EDGE TYPE 3
(LISTED AS PAY ITEM #X0327124: PRECAST CONCRETE RISER)



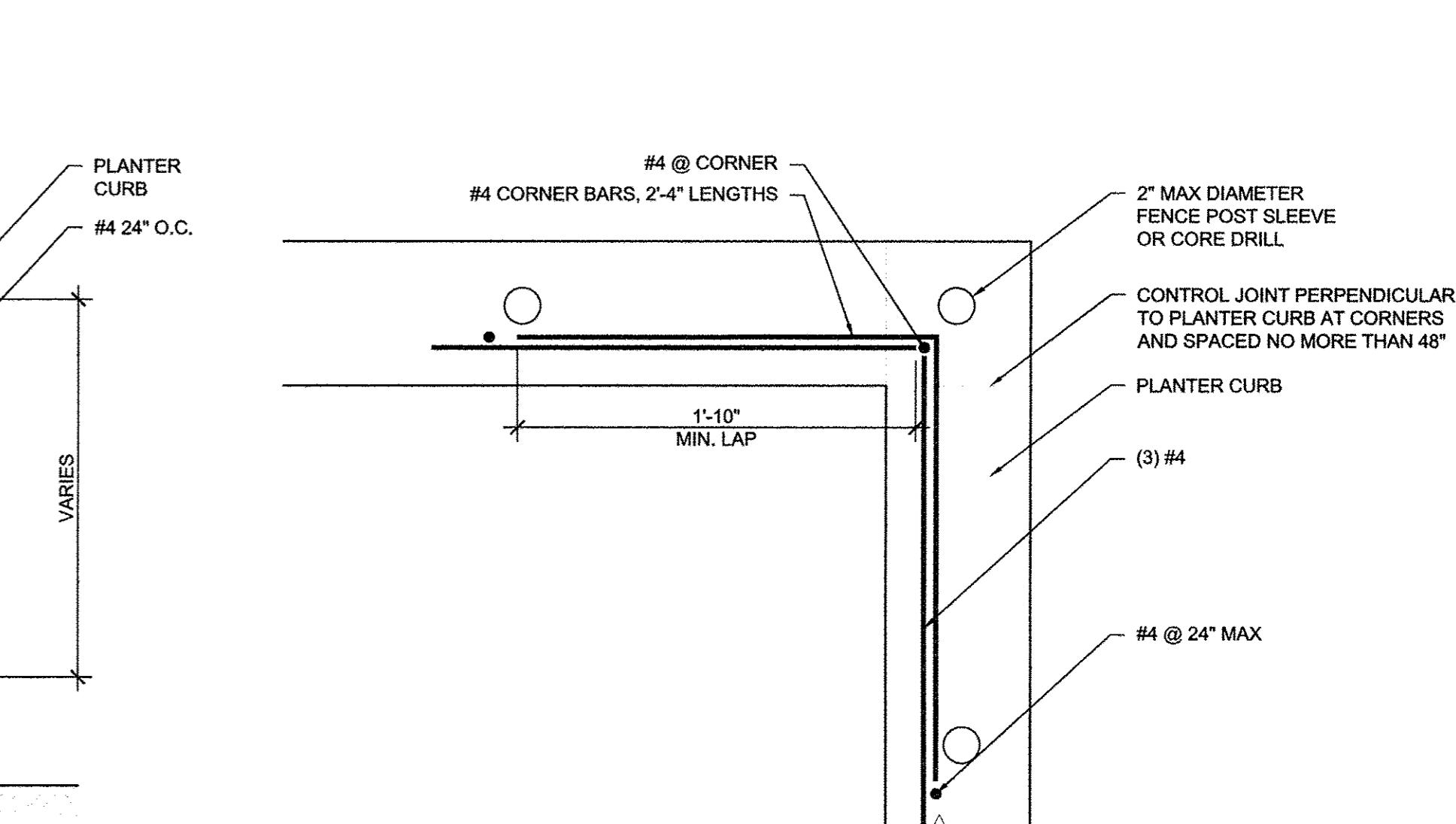
3 PRECAST PLANTER EDGE DETAILS
1"=1'-0"



NOTES:
1. PROVIDE REINFORCEMENT PER MANUFACTURER'S RECOMMENDATIONS.
2. PRECAST PLANTER EDGE TYPE 3 IS QUANTIFIED AND SPECIFIED AS PRECAST CONCRETE RISER.



6 PLANTER CURB ADJACENT TO CONCRETE PAVER TYPE B DETAIL
1 1/2"=1'-0"



7 PLANTER CURB ENLARGEMENT CORNER DETAIL
1 1/2"=1'-0"

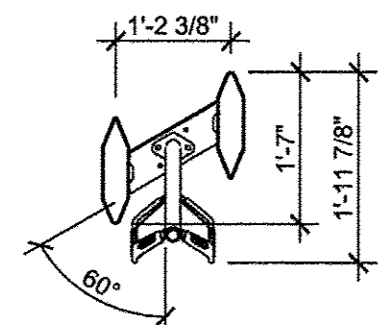
FILE NAME = 7186_dt1s.dwg	DESIGNED — BK	REVISED — BK
PLOT DATE = 2016-03-15 9:03 AM	DRAWN — DZ/JT/JR	REVISED — DZ/JT/JR
	CHECKED — RS, BM	REVISED — RS, BM
	DATE — MARCH 2016	REVISED — AUGUST 2016

STATE OF ILLINOIS DEPARTMENT OF TRANSPORTATION

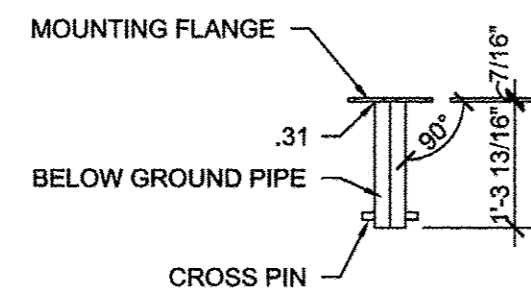
LANDSCAPE PLANS PLANter DETAILS II

SHEET NO. 245 OF 412 SHEETS	STA.	TO STA.
-----------------------------	------	---------

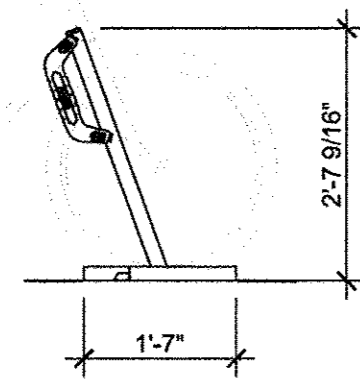
F.A.U. RTE. 7126	SECTION 15-00304-02-PV	COUNTY CHAMPAIGN	TOTAL SHEETS 412	SHEET NO. 245
MCORE PROJECT 2		CONTRACT NO. 91540		
JOB NO. C-95-306-16 ILLINOIS FED. AID PROJECT TIG-5181(059)				



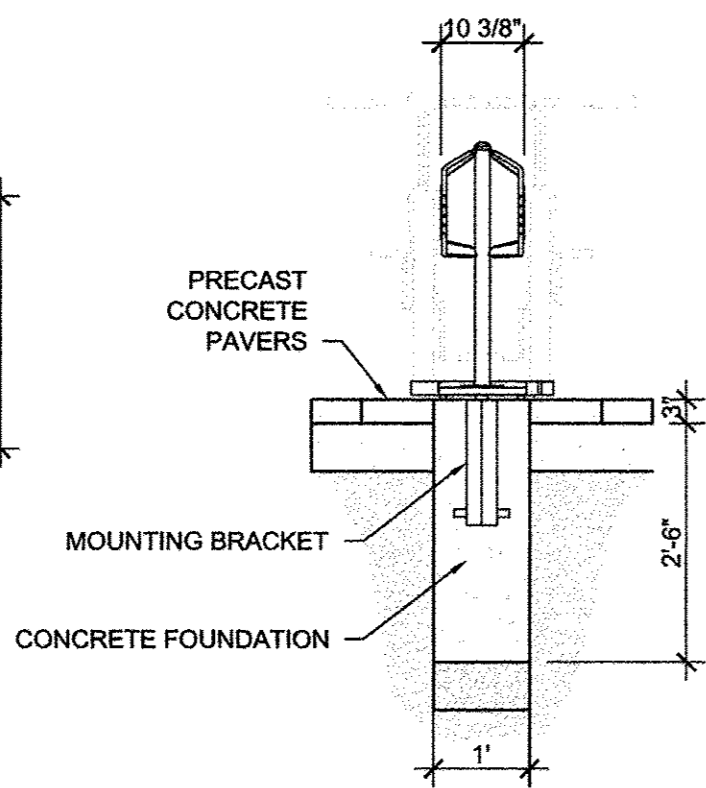
PLAN



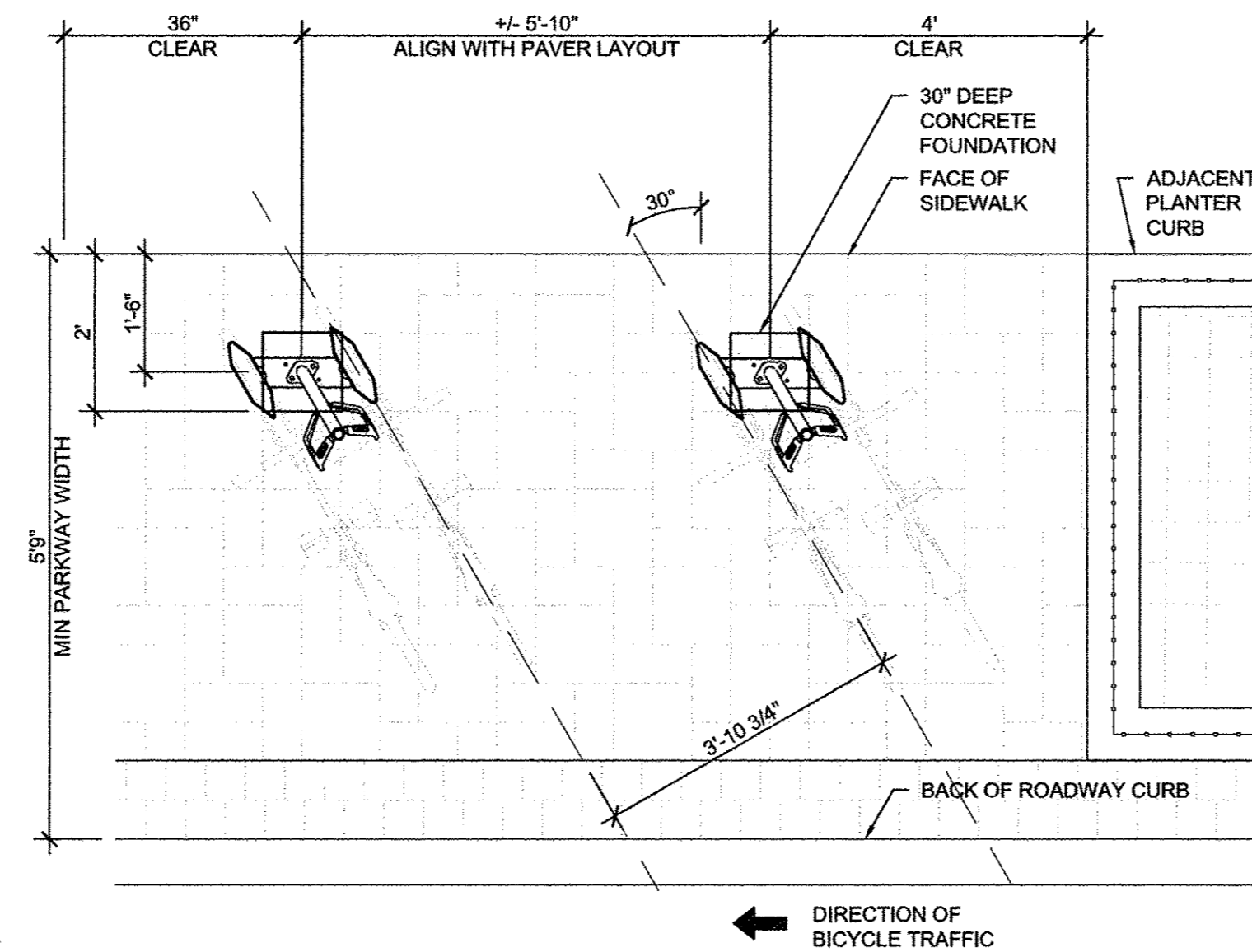
MOUNTING BRACKET DETAIL



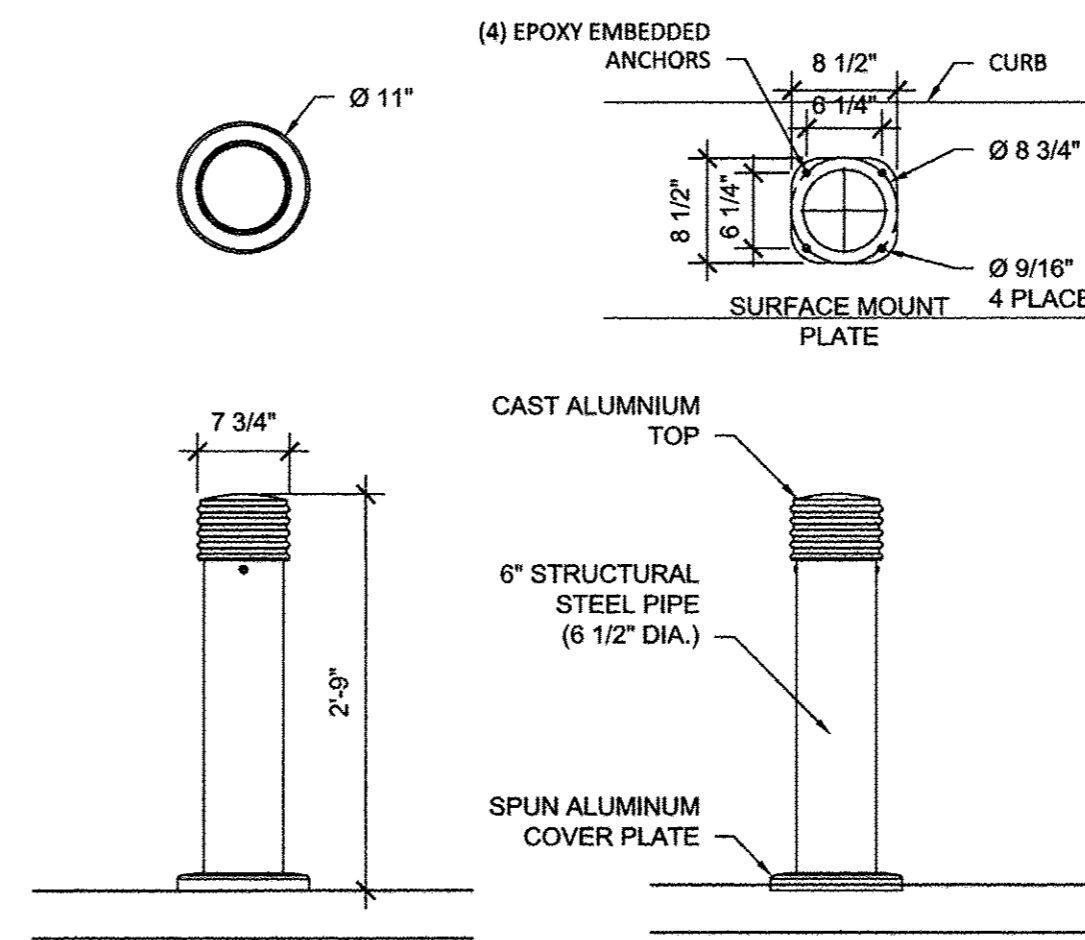
SIDE ELEVATION



FRONT ELEVATION

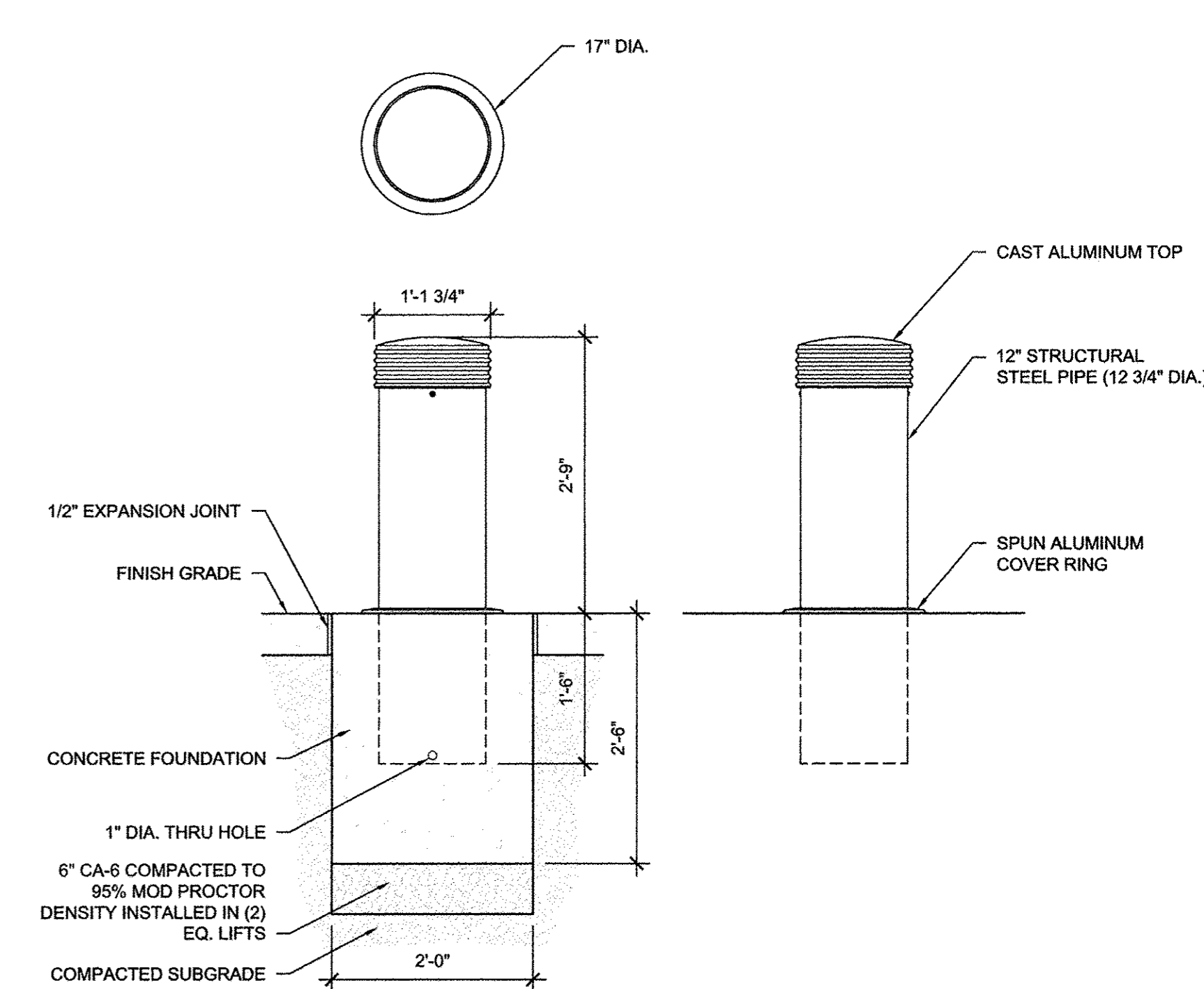


2 BIKE RACK PLACEMENT DETAIL
1/2"=1'-0"

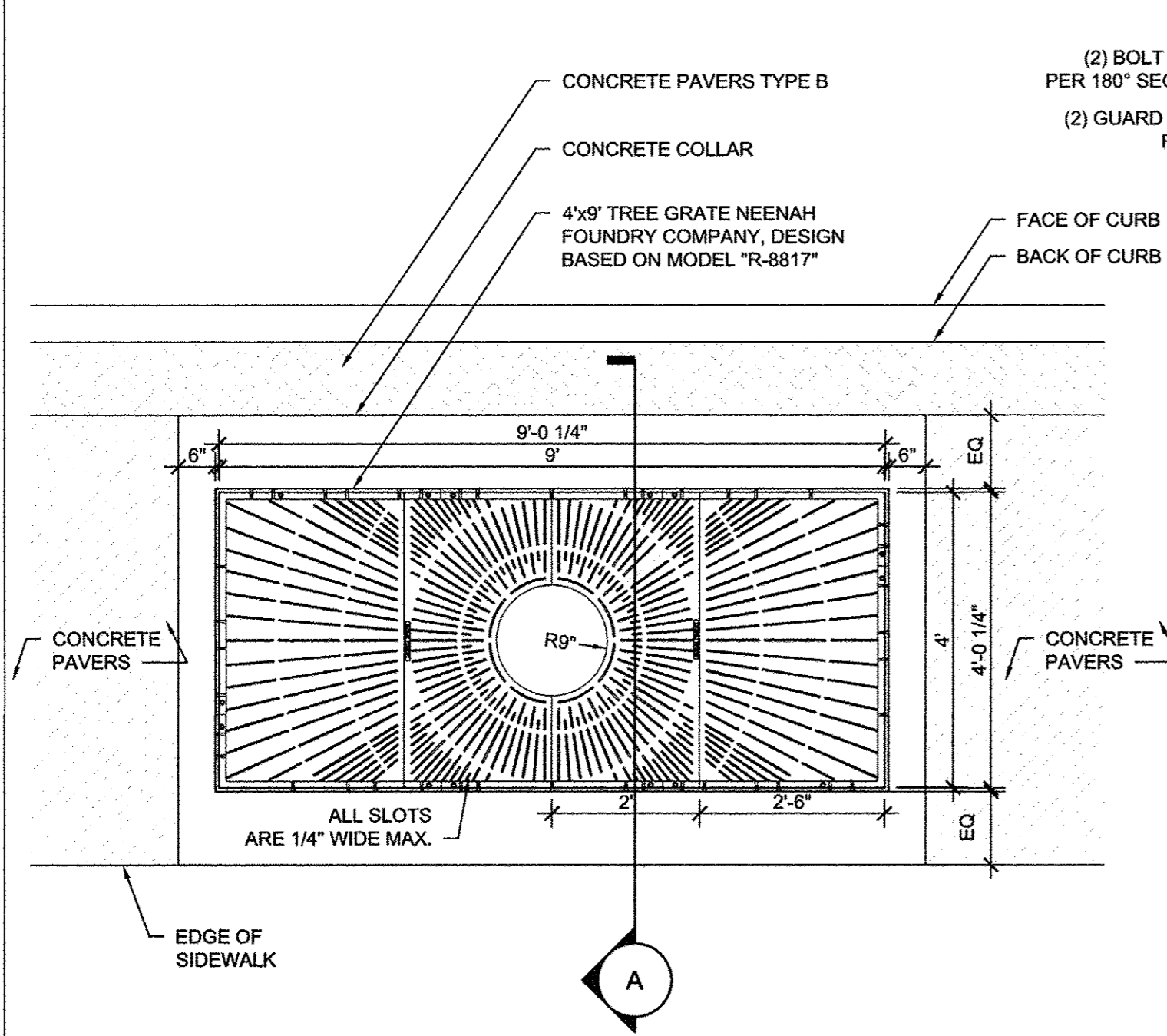


NOTES:
1. CENTER BOLLARD ON CONCRETE CURB.

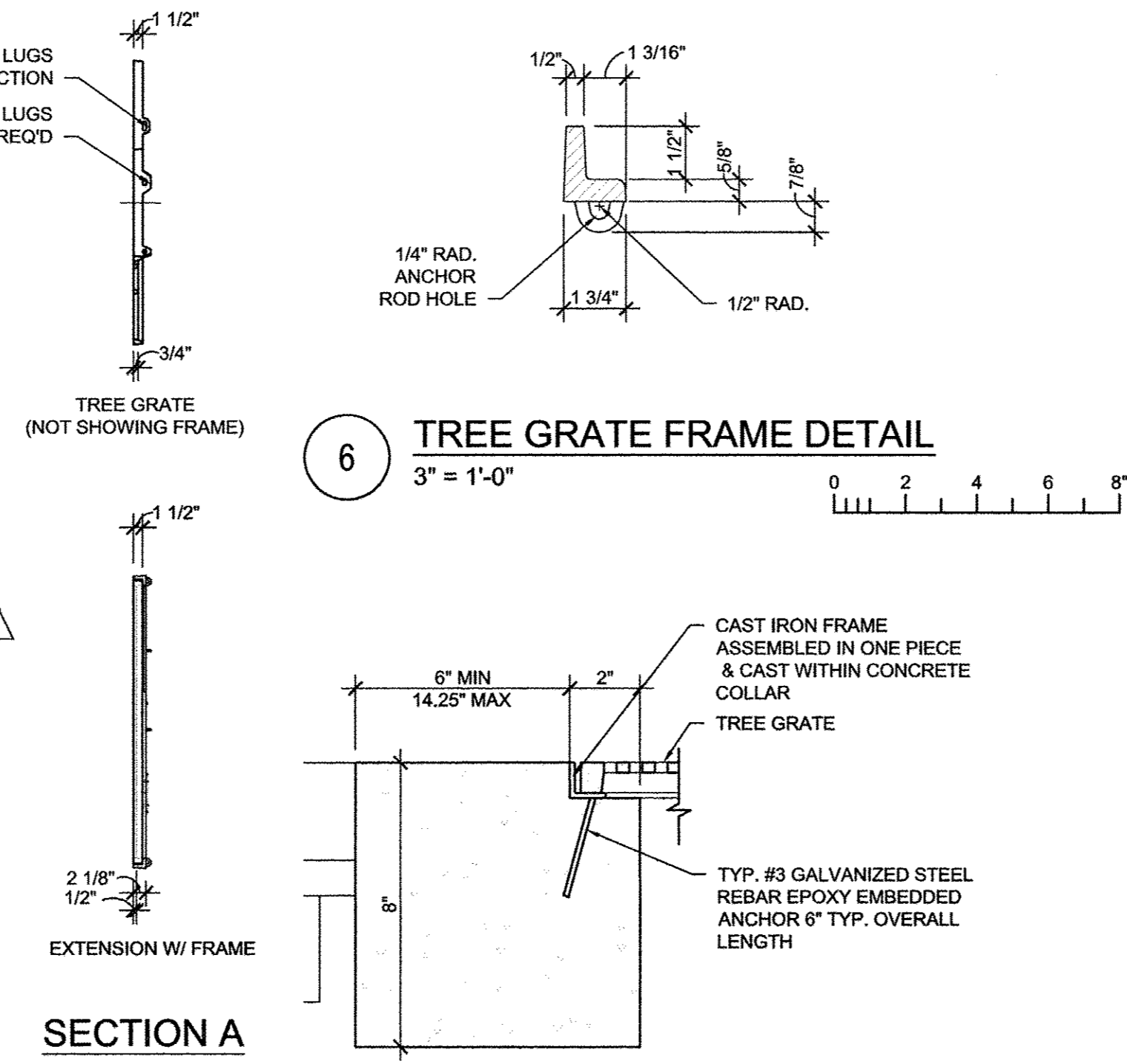
3 LANDSCAPE BOLLARD DETAIL
3/4"=1'-0"



4 BOLLARD DETAIL
3/4"=1'-0"

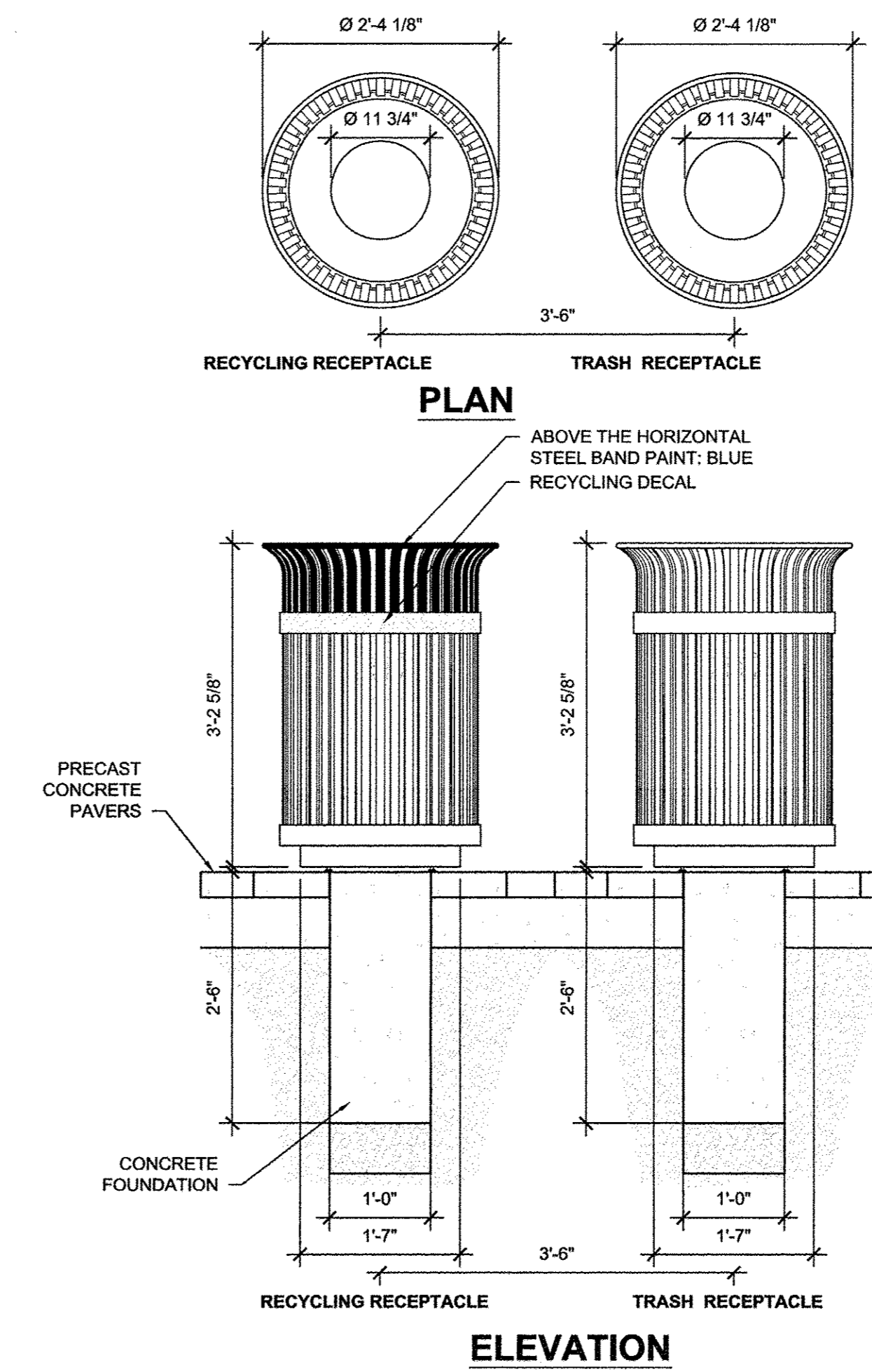


5 TREE GRATE DETAILS
1/2"=1'-0"

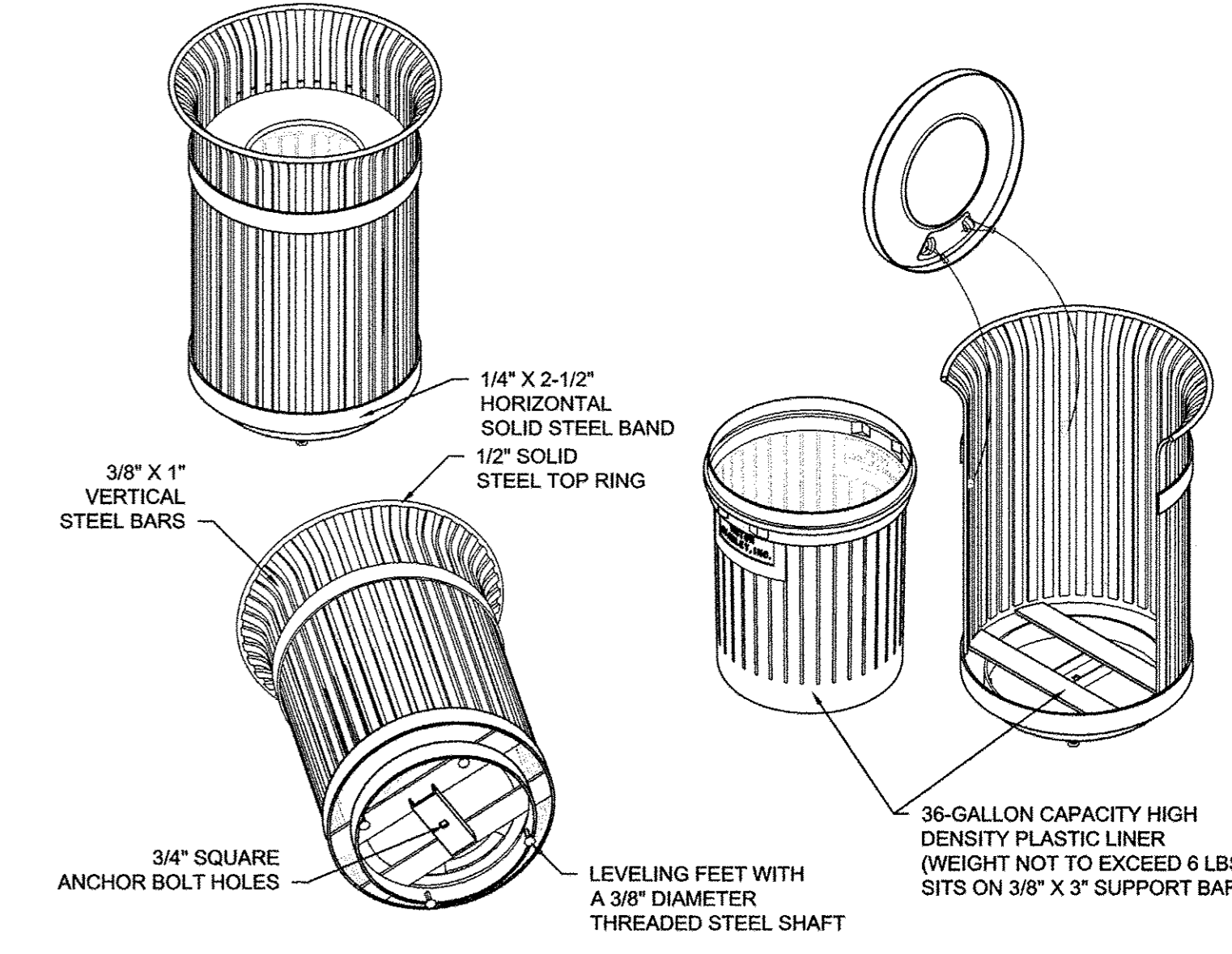


6 TREE GRATE FRAME DETAIL
3" = 1'-0"

7 CONCRETE COLLAR DETAIL
3" = 1'-0"



8 TRASH RECEPTACLE DETAILS
3/4"=1'-0"



Clark Dietz
ENGINEERS

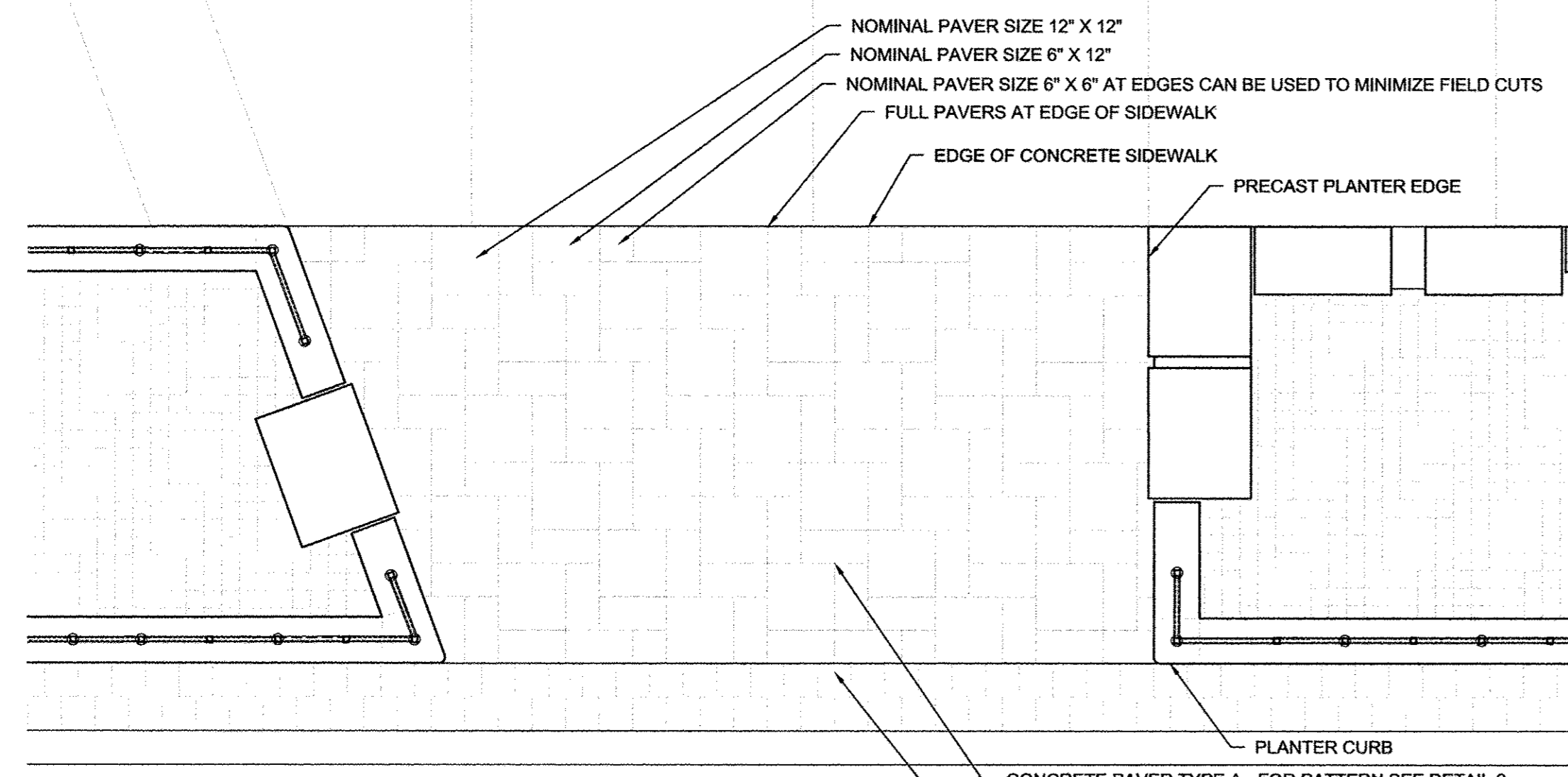
site design group ltd

FILE NAME =	DESIGNED — BK	REVISED —
7186_dt1s.dwg	DRAWN — DZ/JT/JR	REVISED —
PLOT DATE =	CHECKED — RS, BM	REVISED —
2016-03-15 9:03 AM	DATE — MARCH 2016	REVISED —

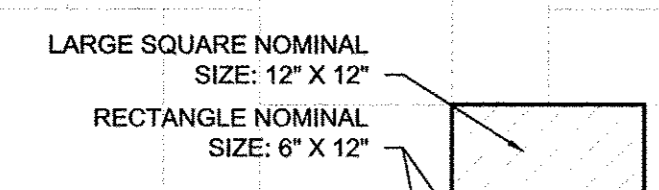
STATE OF ILLINOIS	LANDSCAPE PLANS	F.A.U. RITE.	SECTION	COUNTY	TOTAL SHEETS	SHEET NO.
DEPARTMENT OF TRANSPORTATION	FURNISHING DETAILS	7126	15-00304-02-PV	CHAMPAIGN	412	246
			MCORE PROJECT 2			CONTRACT NO. 91540
						JOB NO. C-95-306-16 ILLINOIS FED. AID PROJECT TIG-5181(058)

SHEET NO. 246 OF 412 SHEETS	STA.	TO STA.
-----------------------------	------	---------

STATE OF ILLINOIS	LANDSCAPE PLANS	F.A.U. RITE.	SECTION	COUNTY	TOTAL SHEETS	SHEET NO.
DEPARTMENT OF TRANSPORTATION	FURNISHING DETAILS	7126	15-00304-02-PV	CHAMPAIGN	412	246
			MCORE PROJECT 2			CONTRACT NO. 91540
						JOB NO. C-95-306-16 ILLINOIS FED. AID PROJECT TIG-5181(058)

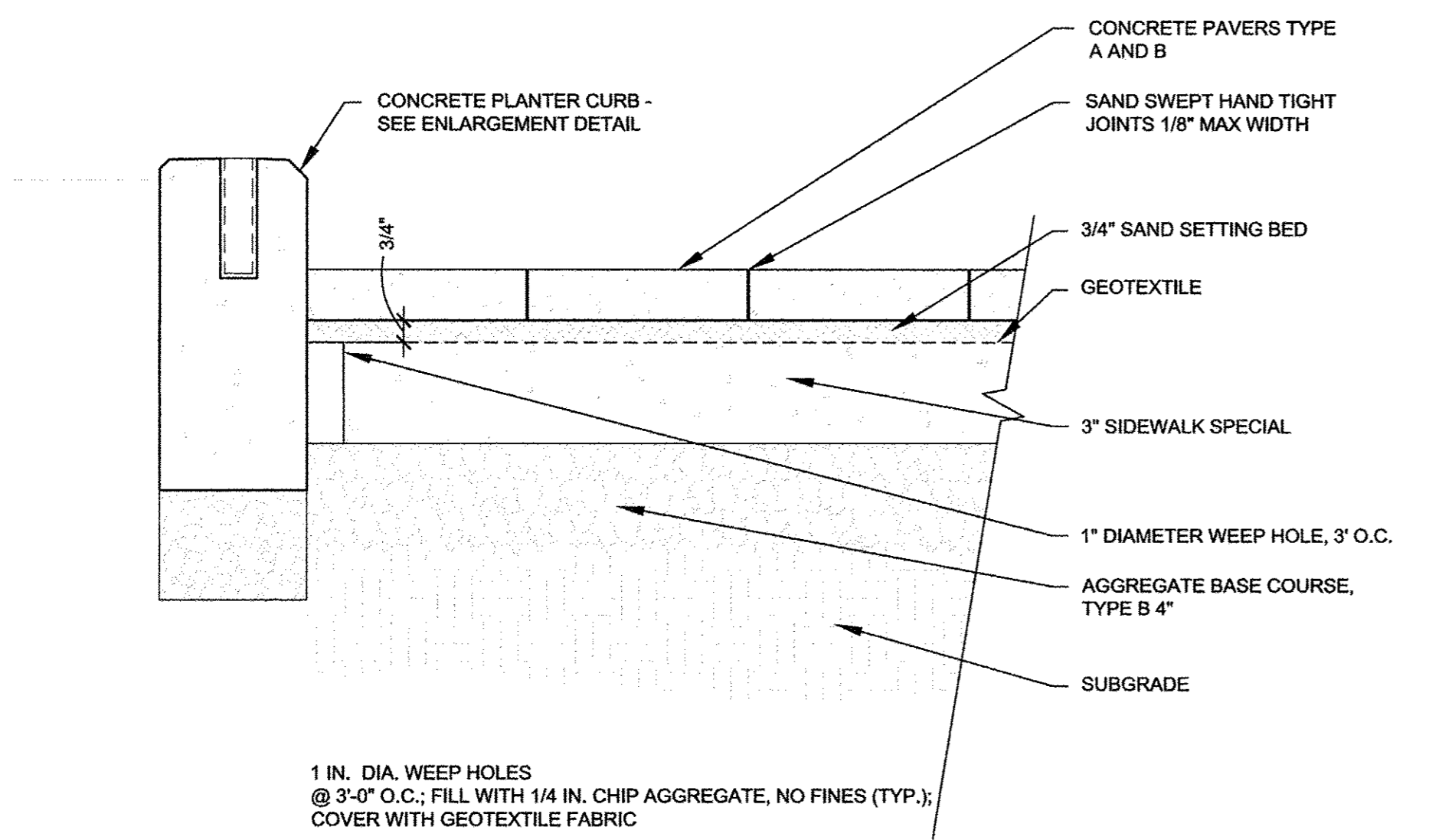


NOTES:
 1. TYPICAL PARKWAY WIDTH ALLOWS FOR CONCRETE PAVERS TO BE LAID TO MINIMIZE CUTS.

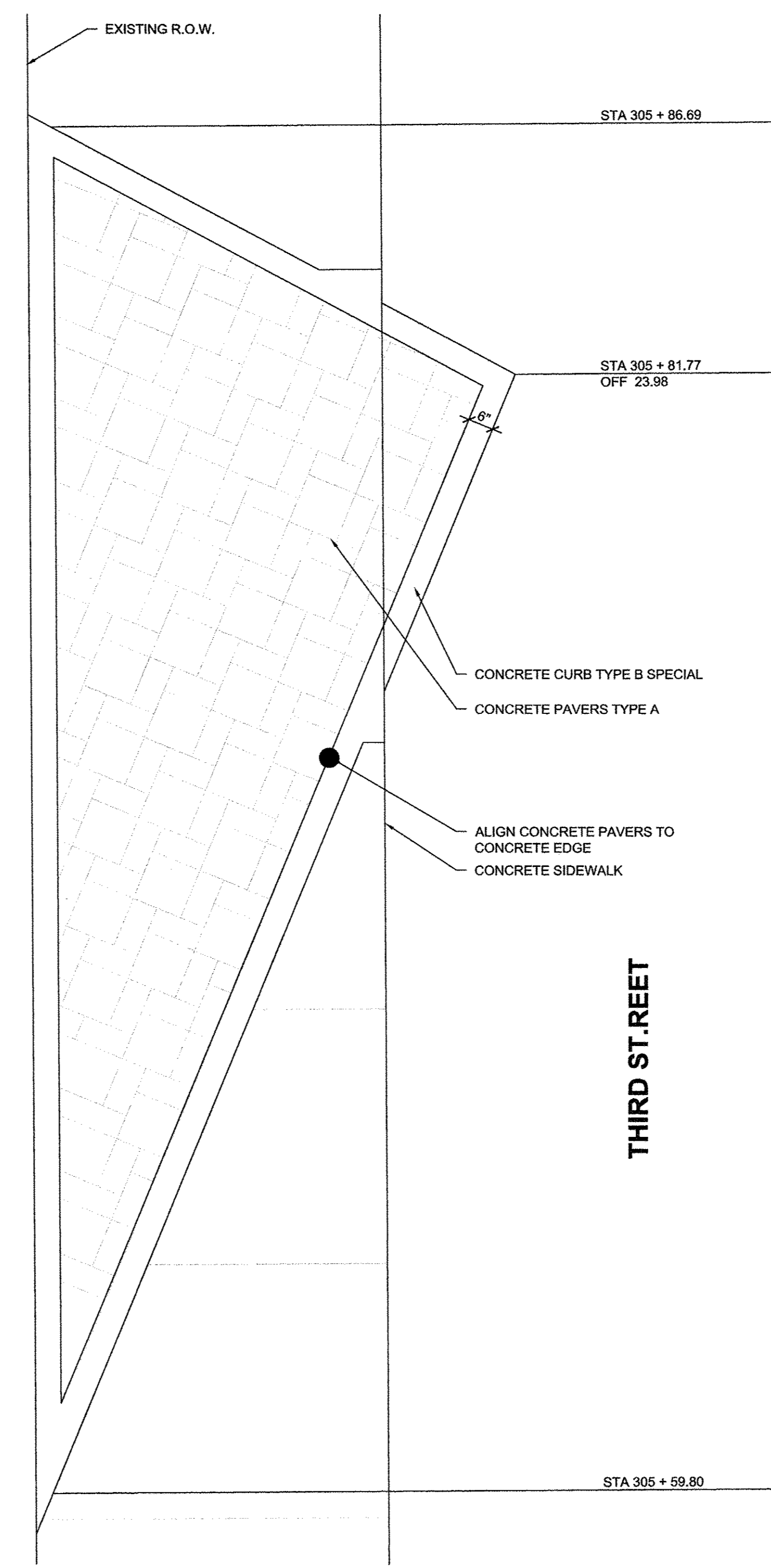


CONCRETE PAVER TYPE A

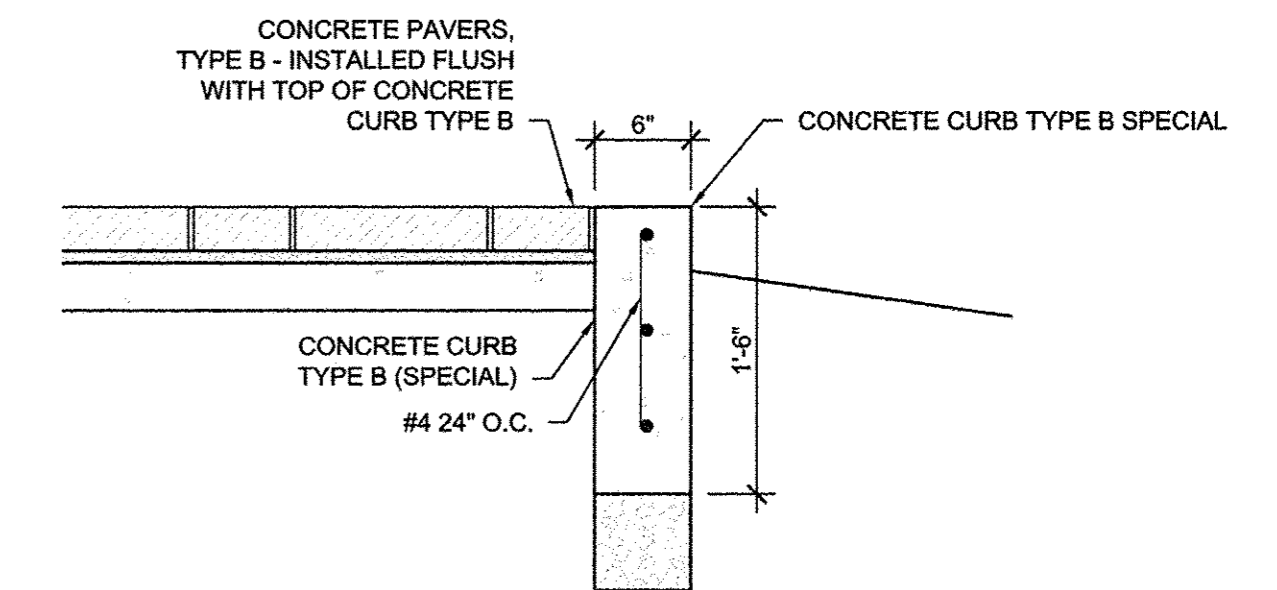
CONCRETE PAVER TYPE B



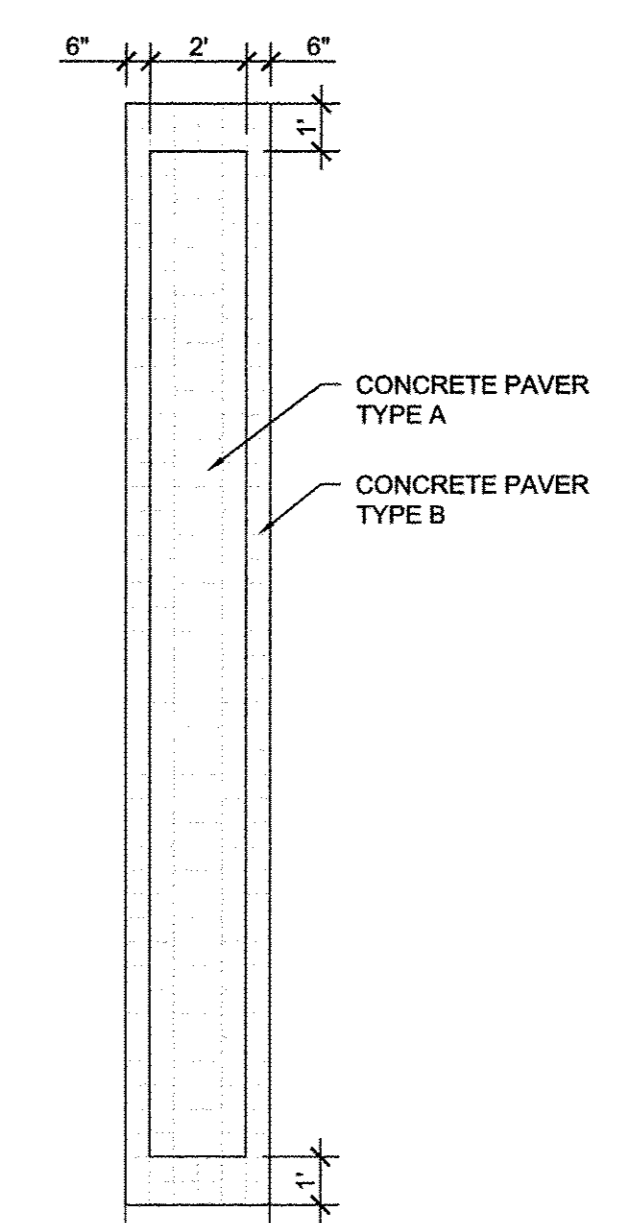
3 PAVER DETAILS
NOT TO SCALE



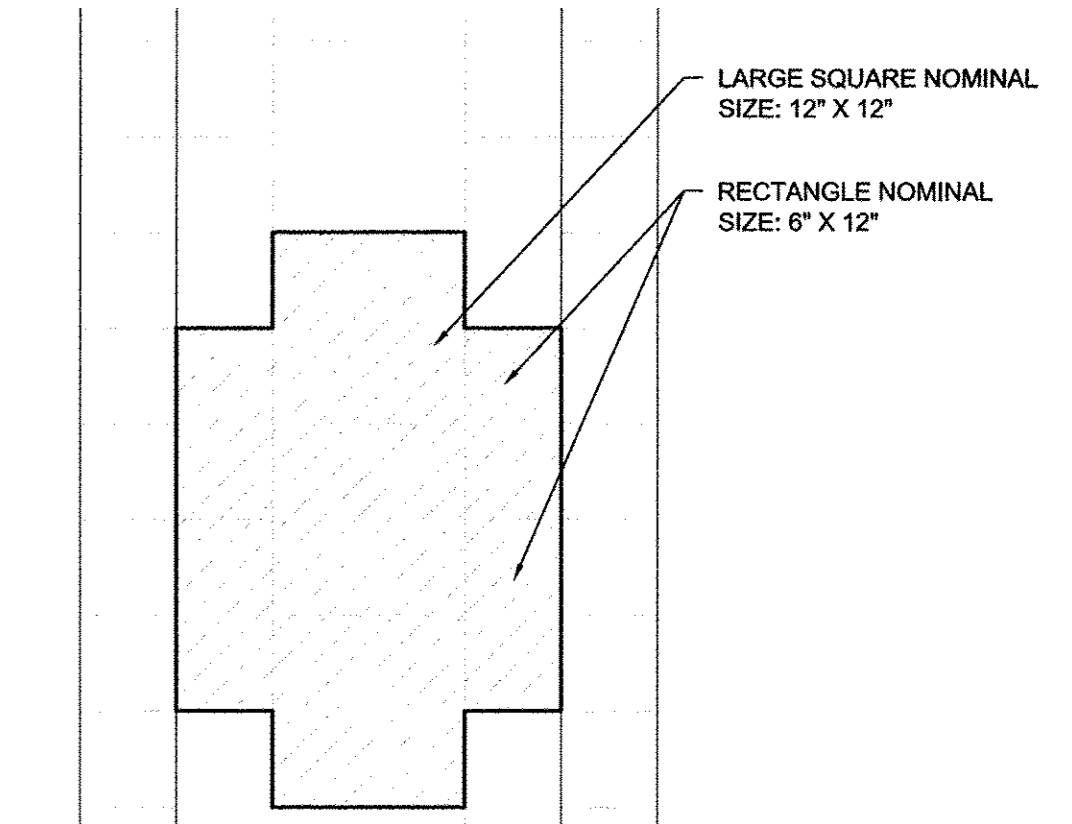
4 BIOSWALE PAVER PATTERN ENLARGMENT PLAN
1/2"=1'-0"



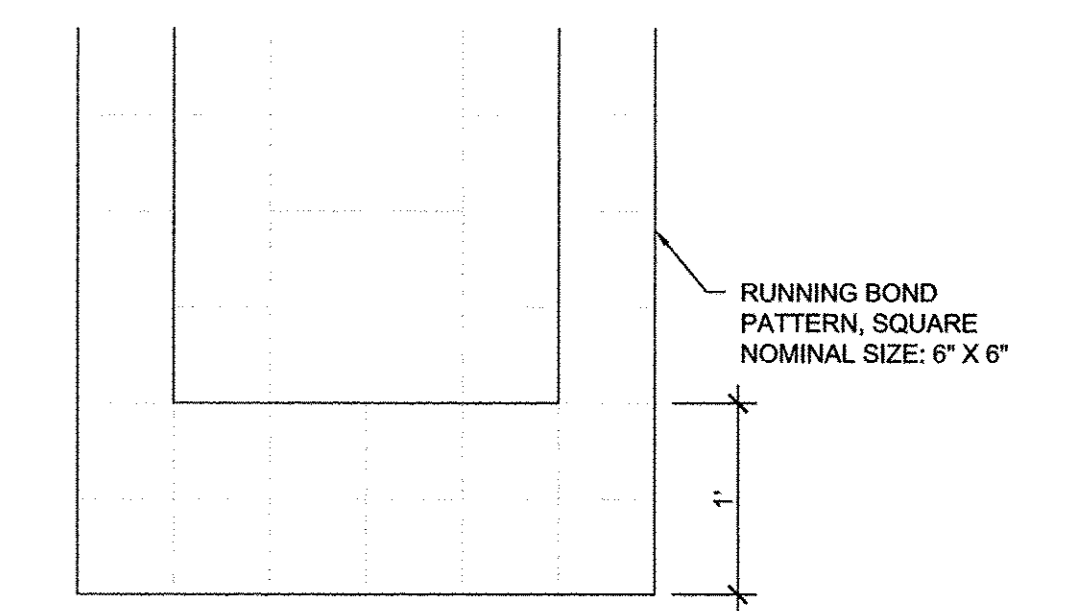
5 CONCRETE CURB TYPE B SPECIAL
1"=1'-0"



6 WRIGHT STREET PAVER ENLARGEMENT
1/4"=1'-0"



CONCRETE PAVER TYPE A



CONCRETE PAVER TYPE B

7 WRIGHT STREET PAVER ENLARGEMENT DETAILS
1"=1'-0"

Clark Dietz
ENGINEERS

site design group ltd

FILE NAME = 7186_dt1s.dwg	DESIGNED -- BK	REVISED -- BK
PLOT DATE = 2016-03-15 9:03 AM	DRAWN -- DZ/JT/JR	REVISED -- DZ/JT/JR
	CHECKED -- RS, BM	REVISED -- RS, BM
	DATE -- MARCH 2016	REVISED -- AUGUST 2016

STATE OF ILLINOIS
DEPARTMENT OF TRANSPORTATION

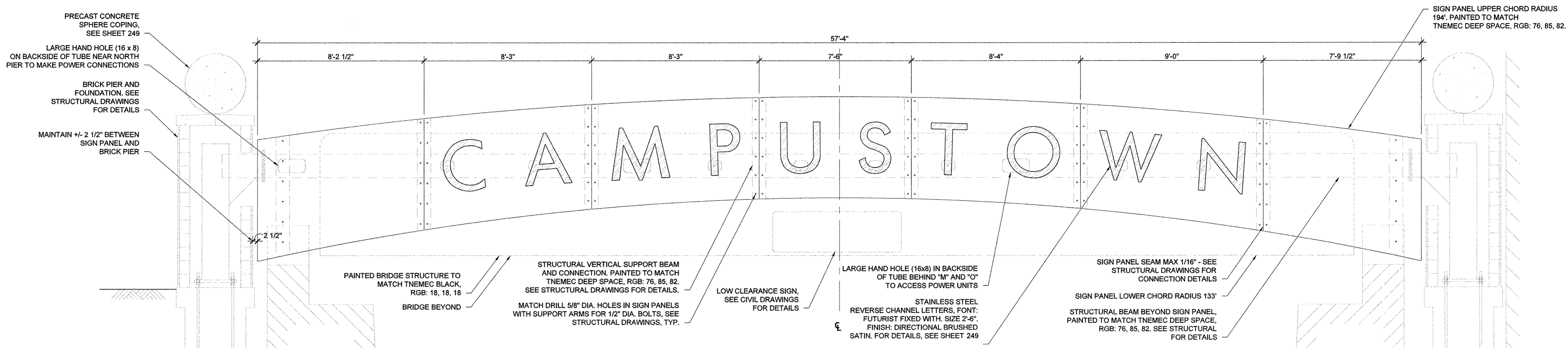
LANDSCAPE PLANS
PAVING DETAILS

SHEET NO. 247 OF 412 SHEETS STA. TO STA.

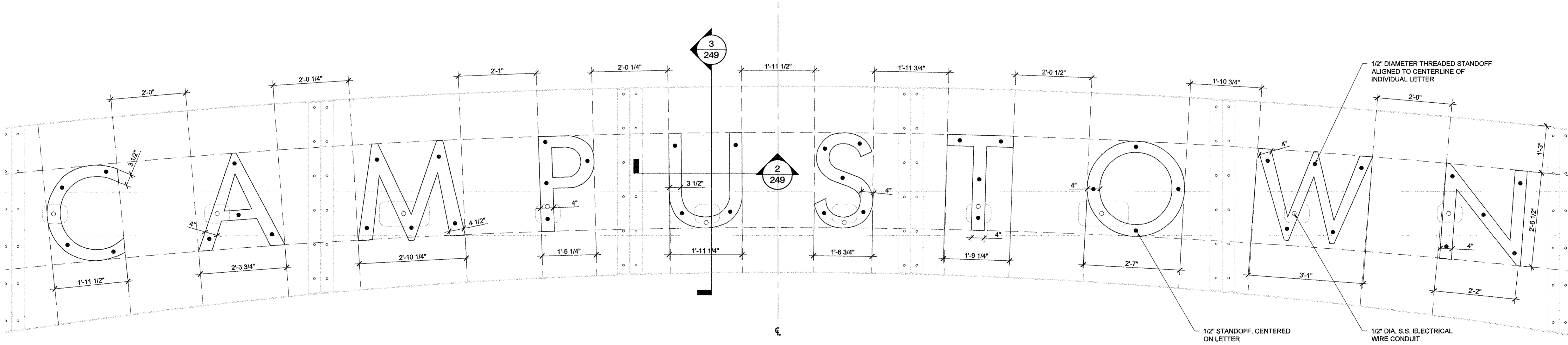
F.A.U. RTE. 7126	SECTION 15-00304-02-PV	COUNTY CHAMPAIGN	TOTAL SHEETS 412	SHEET NO. 247
MCORE PROJECT 2		CONTRACT NO. 91540		
JOB NO. C-95-306-16 ILLINOIS FED. AID PROJECT TIG-5181(058)				

GENERAL NOTES:

1. ALIGN LETTERS TO BE PERPENDICULAR TO TOP EDGE OF SIGN PANEL.
2. ITEMS INCIDENTAL TO GATEWAY MONUMENT SIGN:
 - 2.1. STAINLESS STEEL REVERSE CHANNEL LETTERS
 - 2.2. PAINTED SIGN PANEL
 - 2.3. PAINTED VERTICAL SUPPORT, SEE STRUCTURAL DRAWINGS FOR DETAILS
 - 2.4. PAINTED STRUCTURAL BEAM- HSS 14X14X3/8, SEE STRUCTURAL DRAWINGS FOR DETAILS
 - 2.5. PRECAST CONCRETE SPHERE COPING
 - 2.6. BRICK PILLAR AND FOUNDATIONS, SEE STRUCTURAL DRAWINGS FOR DETAILS



1 GATEWAY ELEVATION
3/8" = 1'-0"



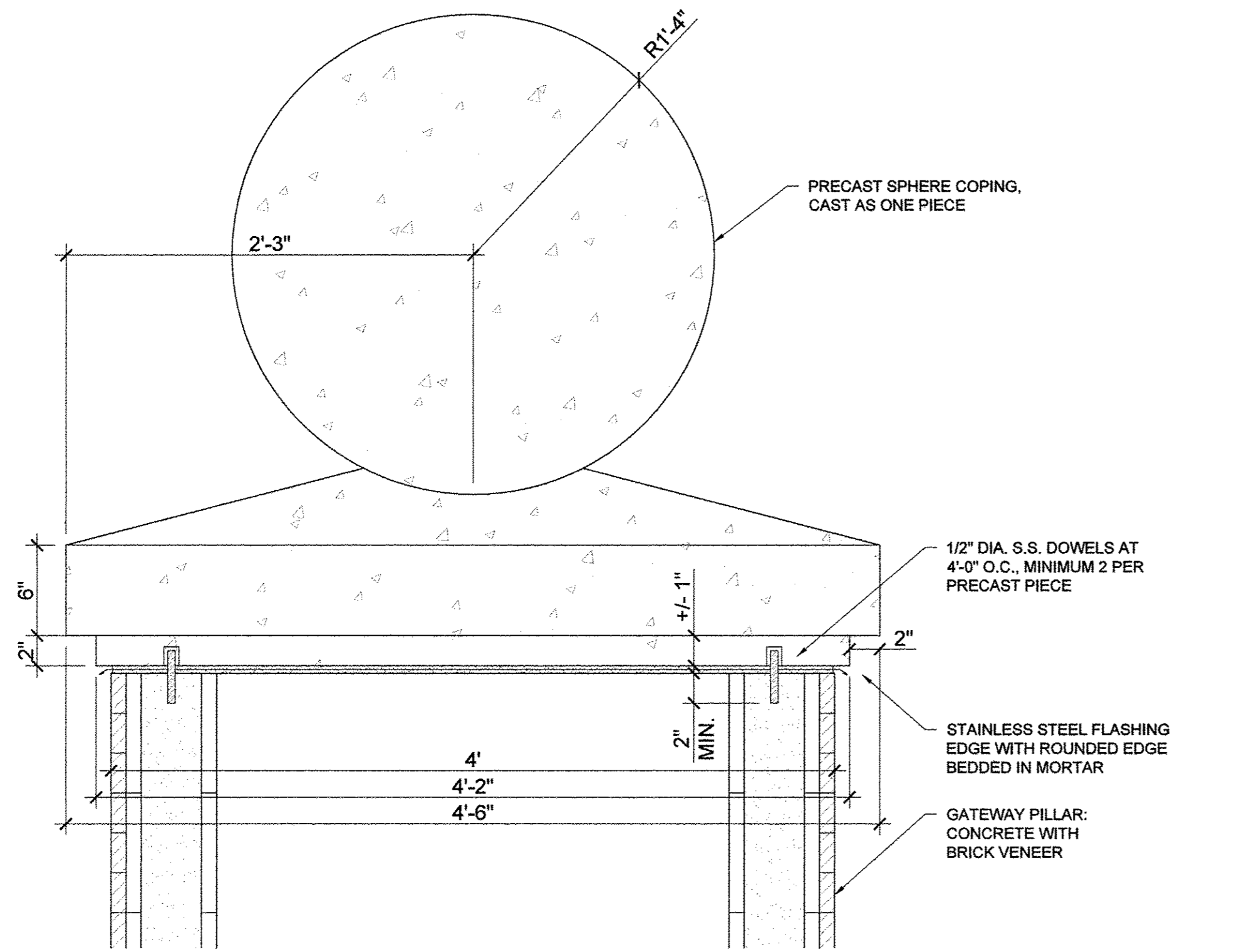
- NOTES:
1. ALIGN LETTERS TO BE PERPENDICULAR TO TOP EDGE OF SIGN PANEL.

2 GATEWAY LETTERING ENLARGEMENT
3/4" = 1'-0"

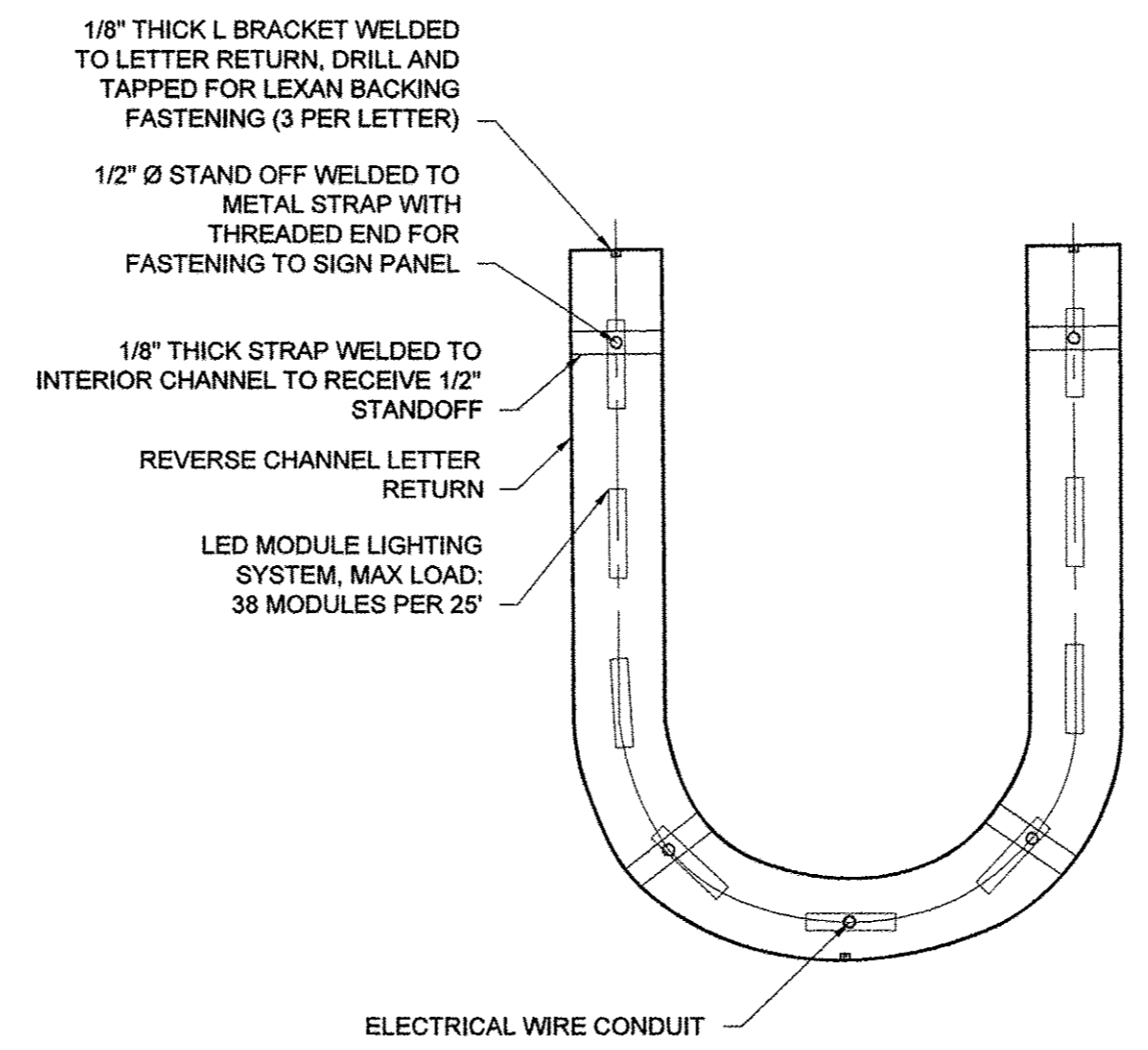
Clark Dietz
ENGINEERS

site design group ltd

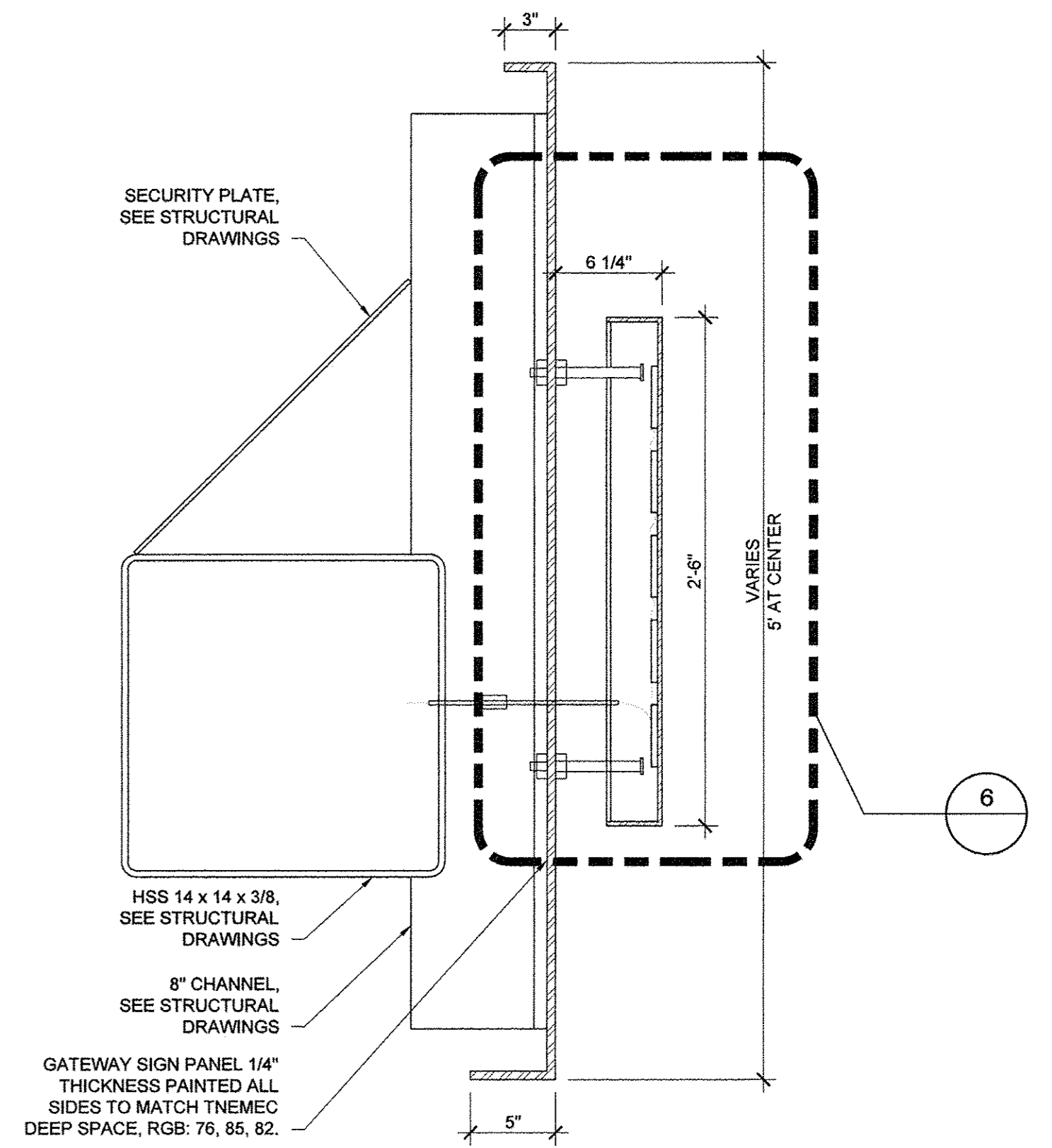
FILE NAME = 7186_gatewaydt1s.dwg	DESIGNED — BK	REVISED —	STATE OF ILLINOIS DEPARTMENT OF TRANSPORTATION	LANDSCAPE PLANS GATEWAY ELEVATION		F.A.U. RTE. 7126	SECTION 15-00304-02-PV	COUNTY CHAMPAIGN	TOTAL SHEETS 412	SHEET NO. 248
PLOT DATE = 2016-03-15 9:03 AM	DRAWN — DZ/JT/JR	REVISED —		SHEET NO. 248 OF 412 SHEETS		STA.	TO STA.	MCORE PROJECT 2		CONTRACT NO. 91540
	CHECKED — RS, BM	REVISED —				JOB NO. C-95-306-18 ILLINOIS FED. AID PROJECT TIG-5181(058)				
	DATE — MARCH 2016	REVISED —								



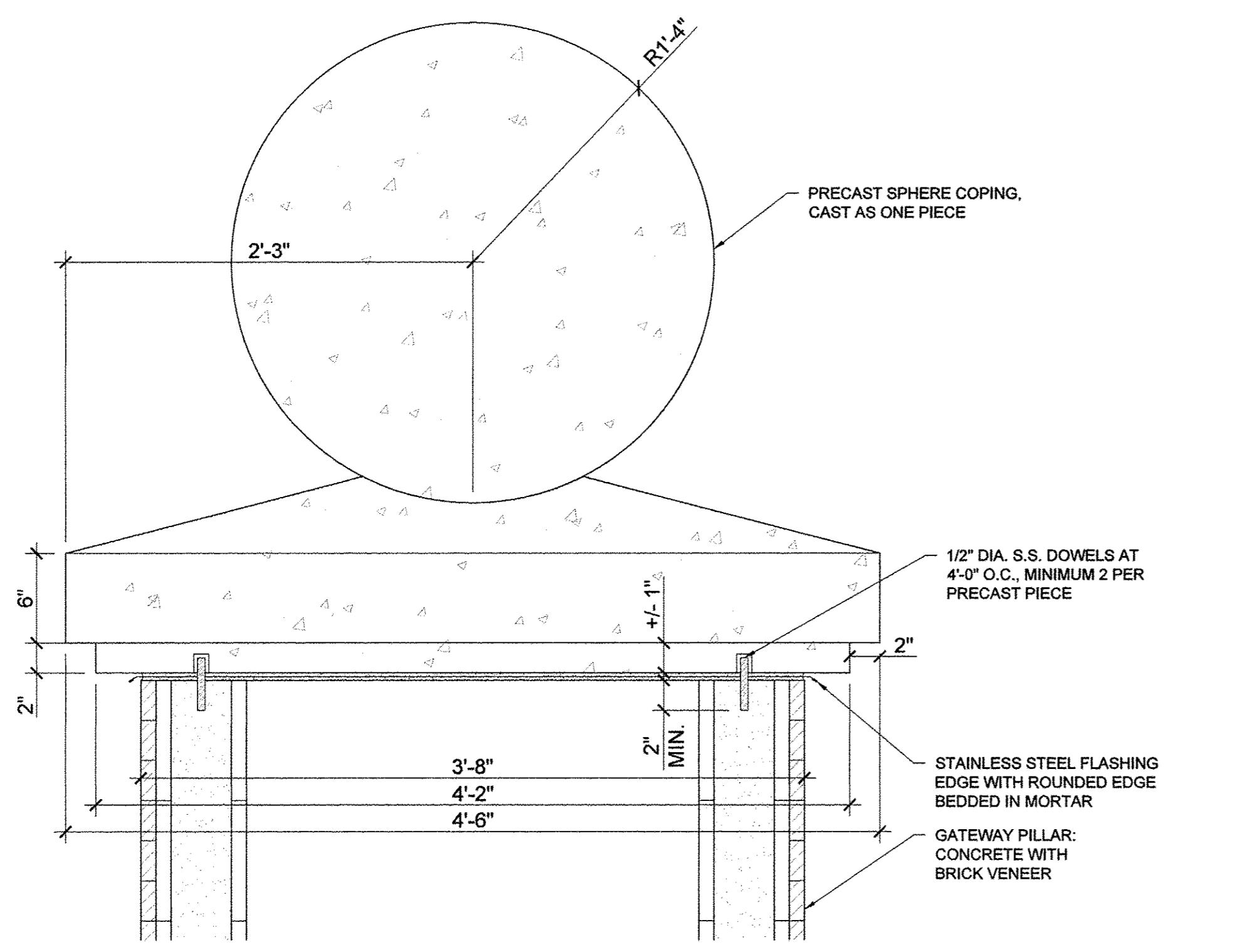
1 NORTH AND SOUTH GATEWAY SIGN PILLAR ELEVATION ENLARGEMENT DETAIL
1 1/2" = 1'-0"



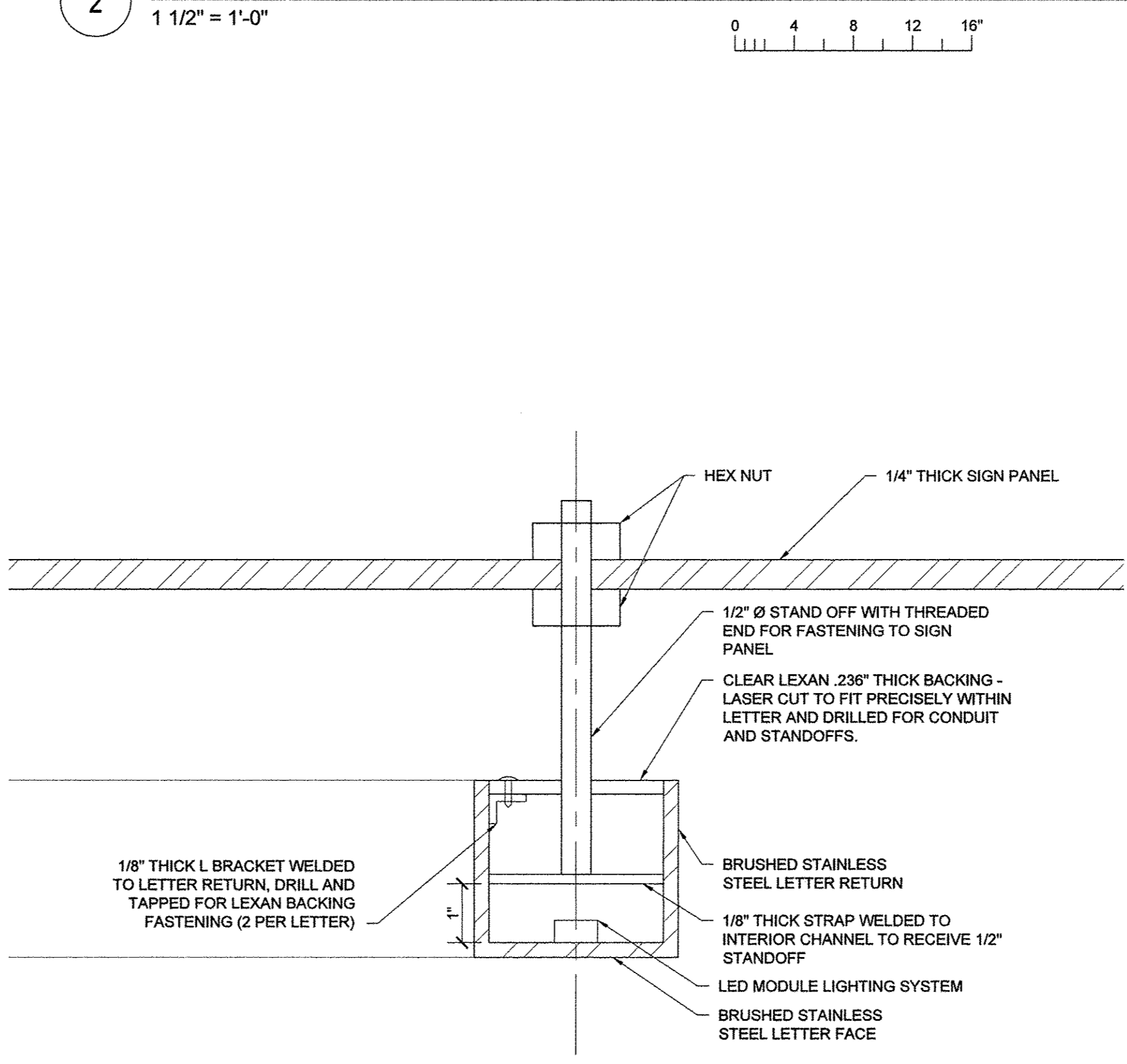
2 ENLARGEMENT REVERSE CHANNEL LETTER ELEVATION DETAIL
1 1/2" = 1'-0"



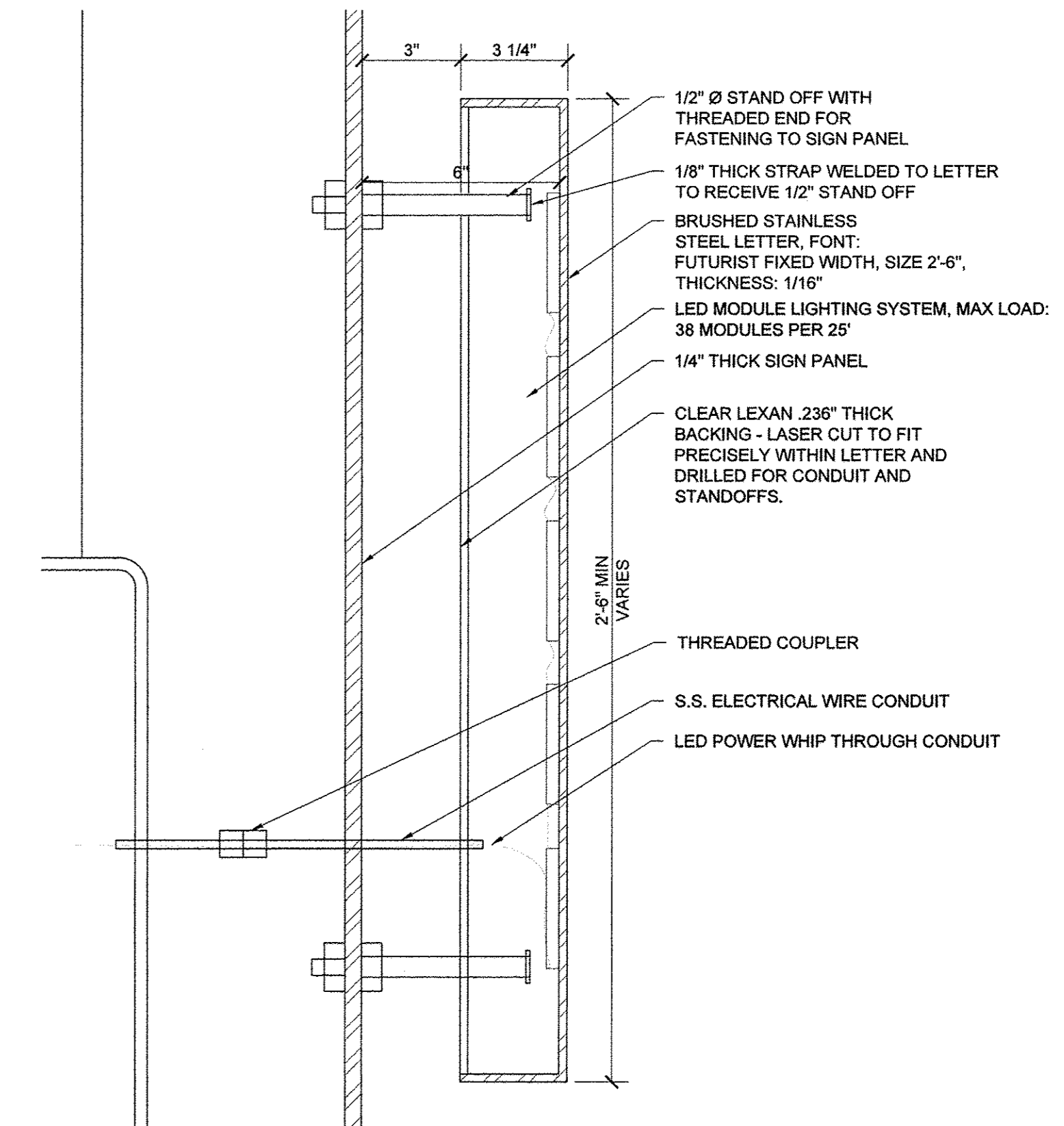
3 SIGN PANEL SECTION DETAIL
1 1/2" = 1'-0"



4 EAST AND WEST GATEWAY SIGN PILLAR ELEVATION ENLARGEMENT DETAIL
1 1/2" = 1'-0"



5 BRUSHED STAINLESS STEEL REVERSE CHANNEL LETTER SECTION
6" = 1'-0"



6 BRUSHED STAINLESS STEEL REVERSE CHANNEL LETTER SECTION
3" = 1'-0"

Clark Dietz
ENGINEERS

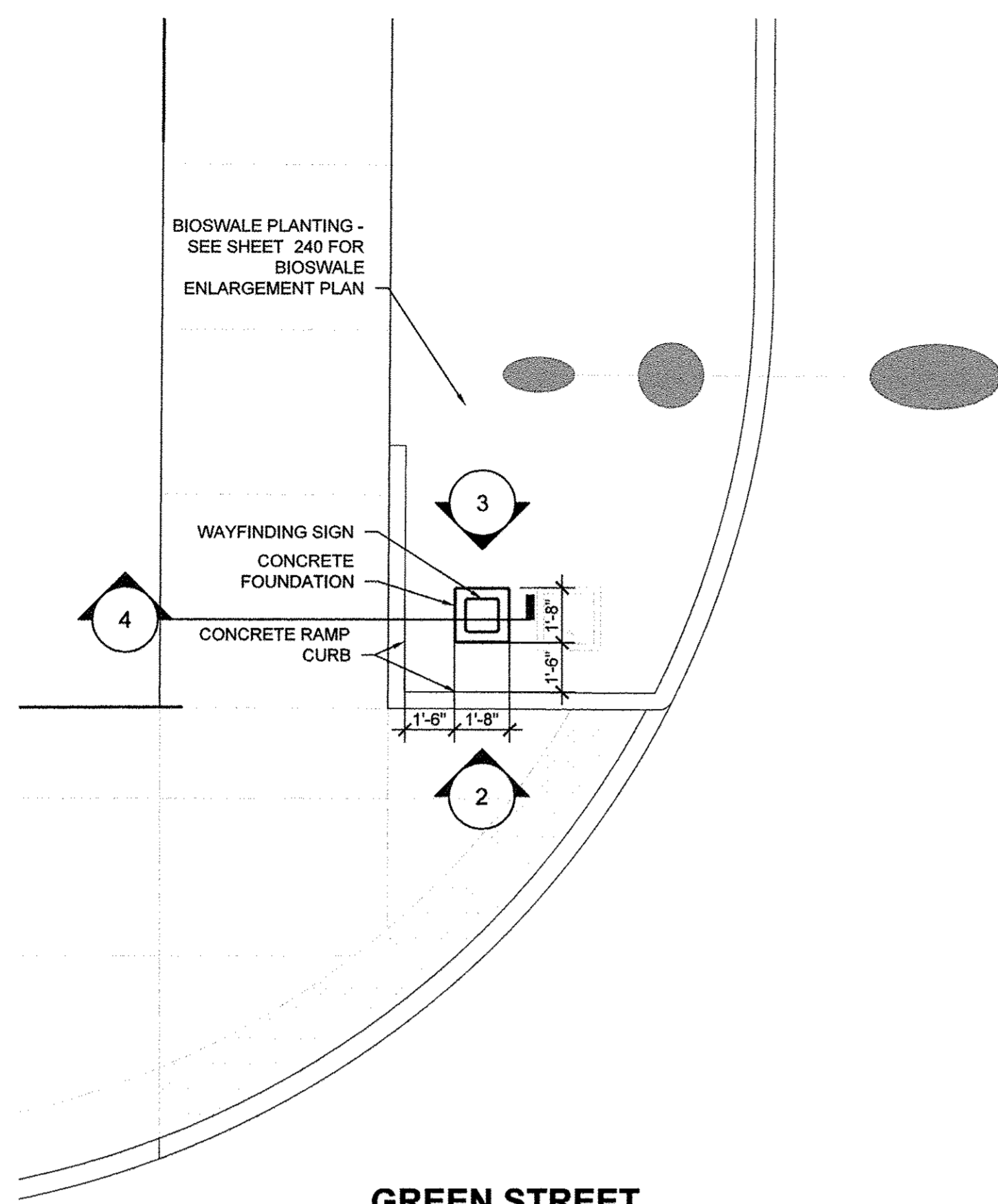
site design group ltd

FILE NAME =	DESIGNED -- BK	REVISED --
7186_gatewaydt1s.dwg	DRAWN -- DZ/JT/JR	REVISED --
PLOT DATE =	CHECKED -- RS, BM	REVISED --
2016-03-15 9:03 AM	DATE -- MARCH 2016	REVISED --

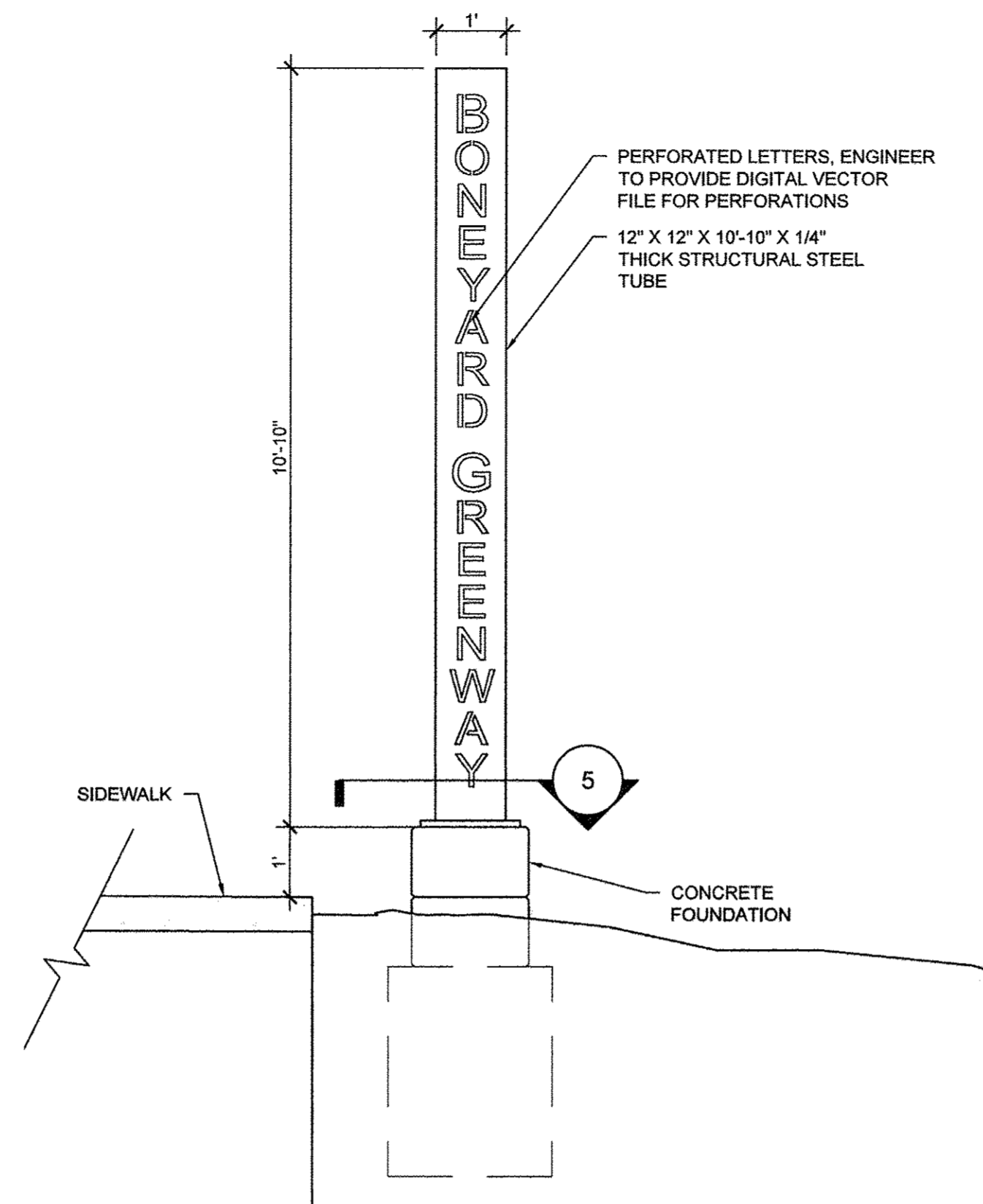
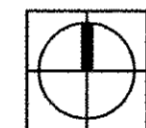
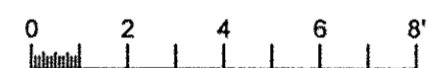
STATE OF ILLINOIS
DEPARTMENT OF TRANSPORTATION

LANDSCAPE PLANS	F.A.U. RTE.	SECTION	COUNTY	TOTAL SHEETS	SHEET NO.
GATEWAY DETAILS I	7126	15-00304-02-PV	CHAMPAIGN	412	249
SCALE : 1"=20'	SHEET NO. 249 OF 412 SHEETS		STA. 304+50.00 TO STA. 305+50.00	MCORE PROJECT 2 CONTRACT NO. 91540	
			JOB NO. C-95-306-16 ILLINOIS FED. AID PROJECT TIG-5181(058)		

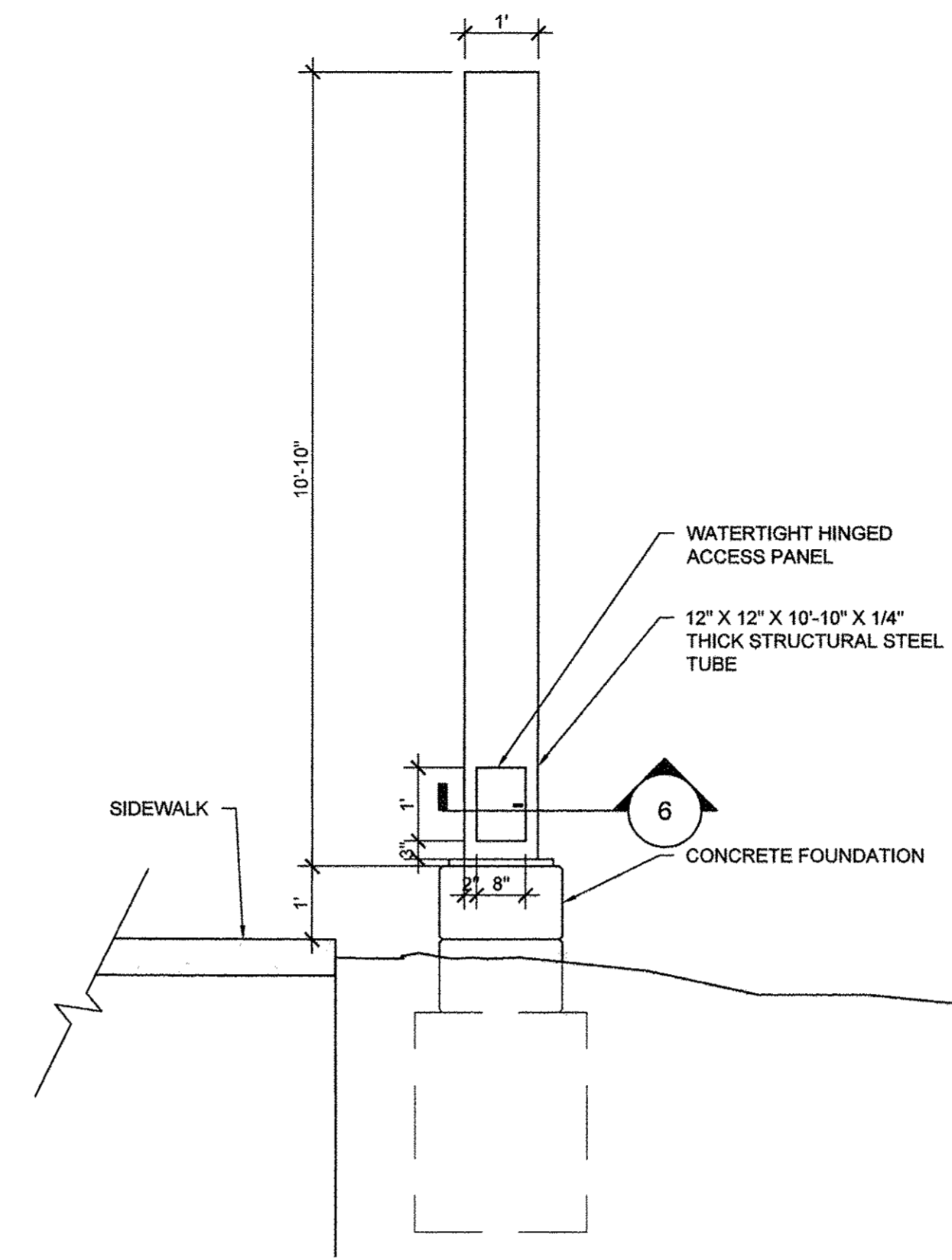
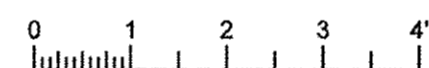
STATE OF ILLINOIS
DEPARTMENT OF TRANSPORTATION



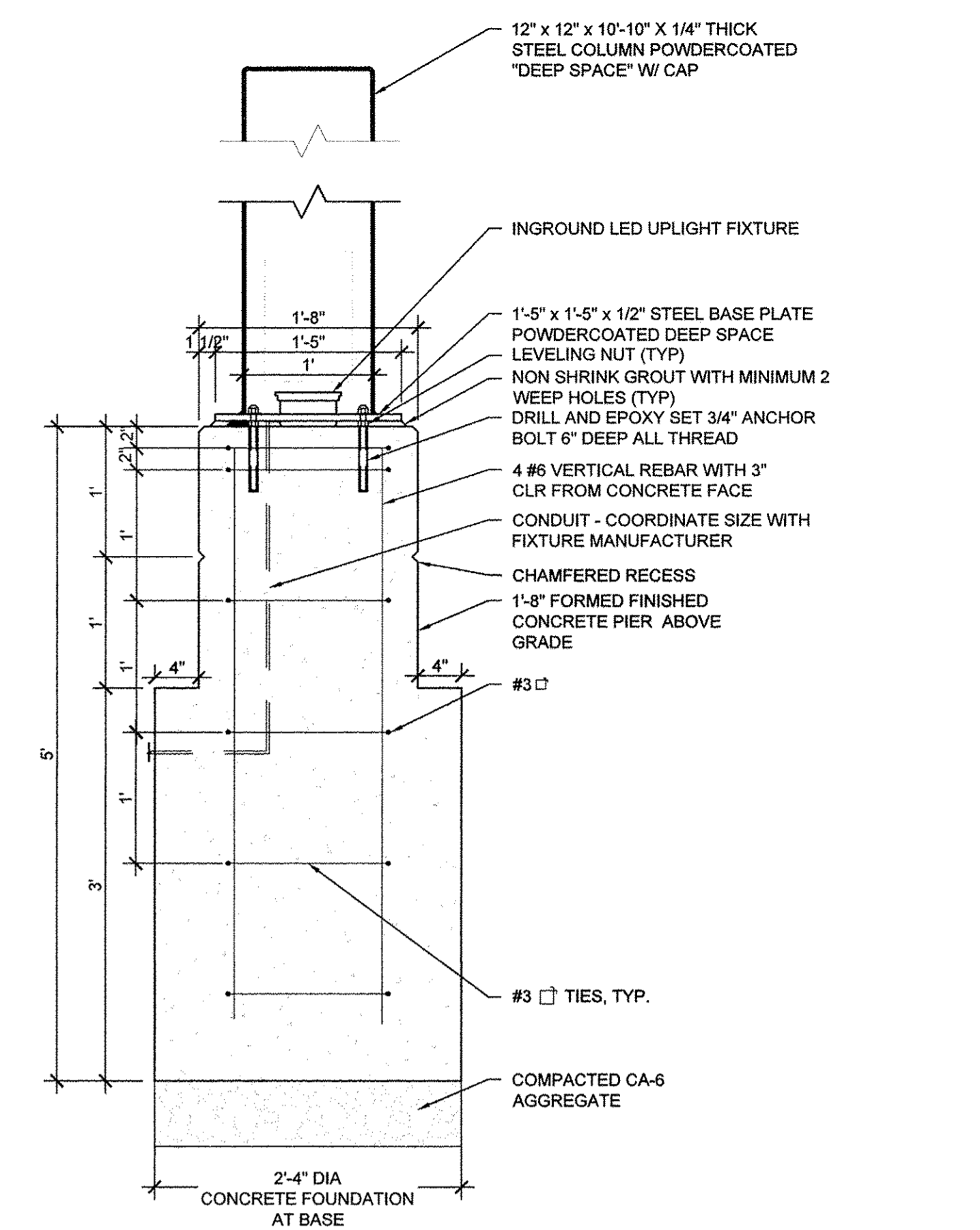
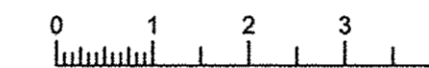
1 WAYFINDING SIGN ENLARGEMENT PLAN
1/4" = 1'-0"



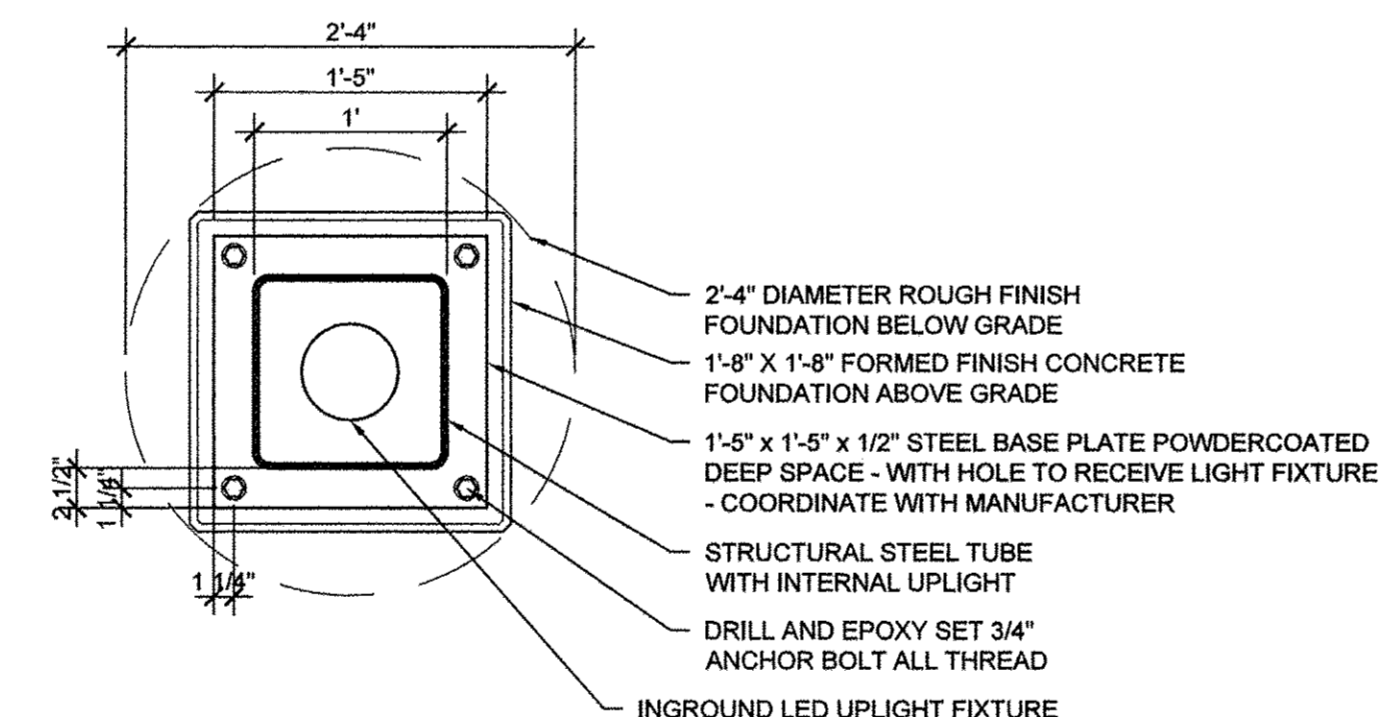
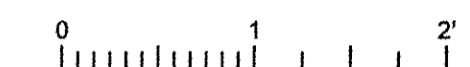
2 WAYFINDING SIGN - SOUTH ELEVATION
1/2" = 1'-0"



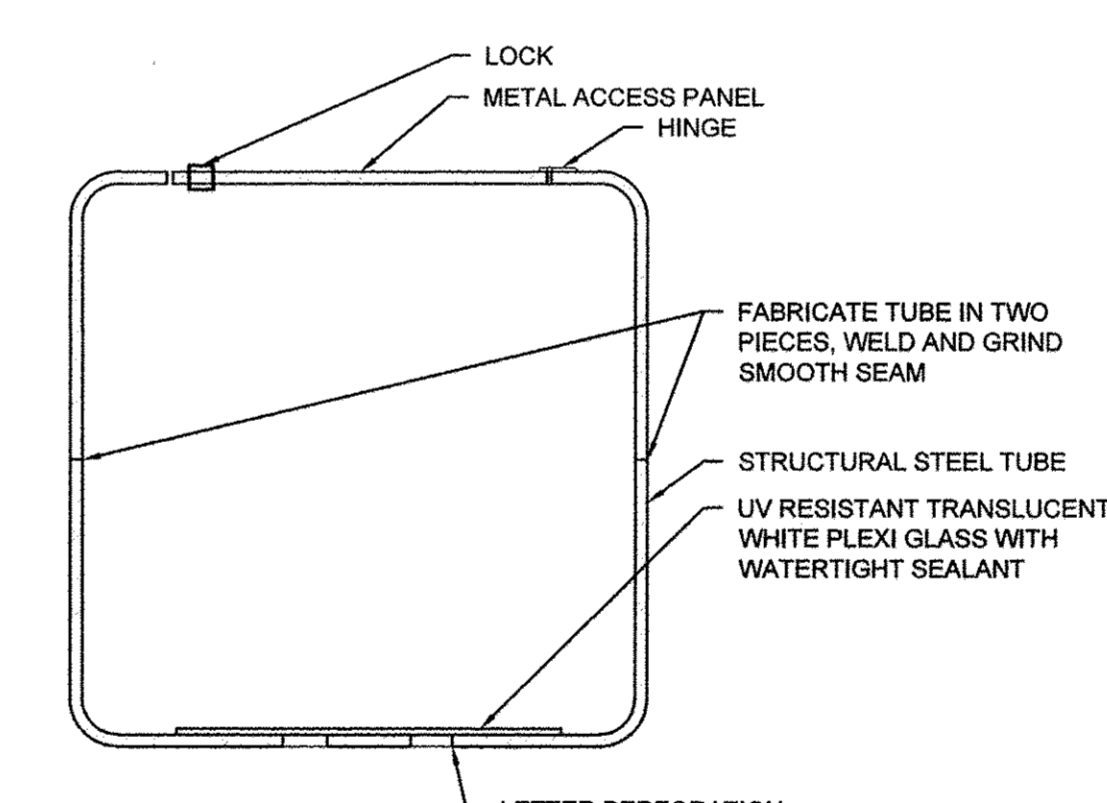
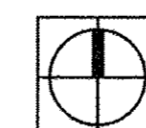
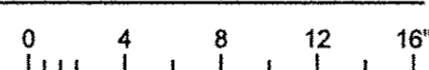
3 WAYFINDING SIGN NORTH ELEVATION
1/2" = 1'-0"



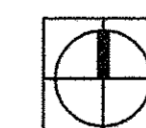
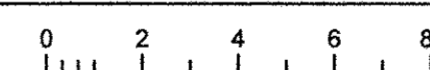
4 WAYFINDING SIGN FOUNDATION DETAIL
1" = 1'-0"



5 WAYFINDING SIGN - BASE PLATE DETAIL
1" = 1'-0"



6 WAYFINDING SIGN - SECTION DETAIL
3" = 1'-0"



GENERAL NOTES:

- DRAWINGS SHOW DESIGN INTENT ONLY. PRIOR TO FABRICATION, THE CONTRACTOR MUST PROVIDE PROFESSIONAL ENGINEERING FOR THE WAYFINDING SIGN, WAYFINDING SIGN COMPONENTS, WAYFINDING SIGN MOUNTING, AND HARDWARE. THE SEAL OF A LICENSED PROFESSIONAL ENGINEER TO APPEAR ON THE SHOP DRAWINGS.
- ALL WELDS TO BE GRIND SMOOTH FOR A SEAMLESS APPEARANCE.
- APPLY ALL PAINT FINISHES IN STRICT ACCORDANCE WITH MANUFACTURERS INSTRUCTIONS.
- CAD ART FOR THE CUT-OUT PATTERN TO BE PROVIDED BY ENGINEER. DO NOT USE THIS DRAWING TO PRODUCE THE CUT-OUT PATTERN.

Clark Dietz
ENGINEERS

site design group ltd

FILE NAME = 7186_embkmttd1.dwg
PLOT DATE = 2016-03-15 9:03 AM

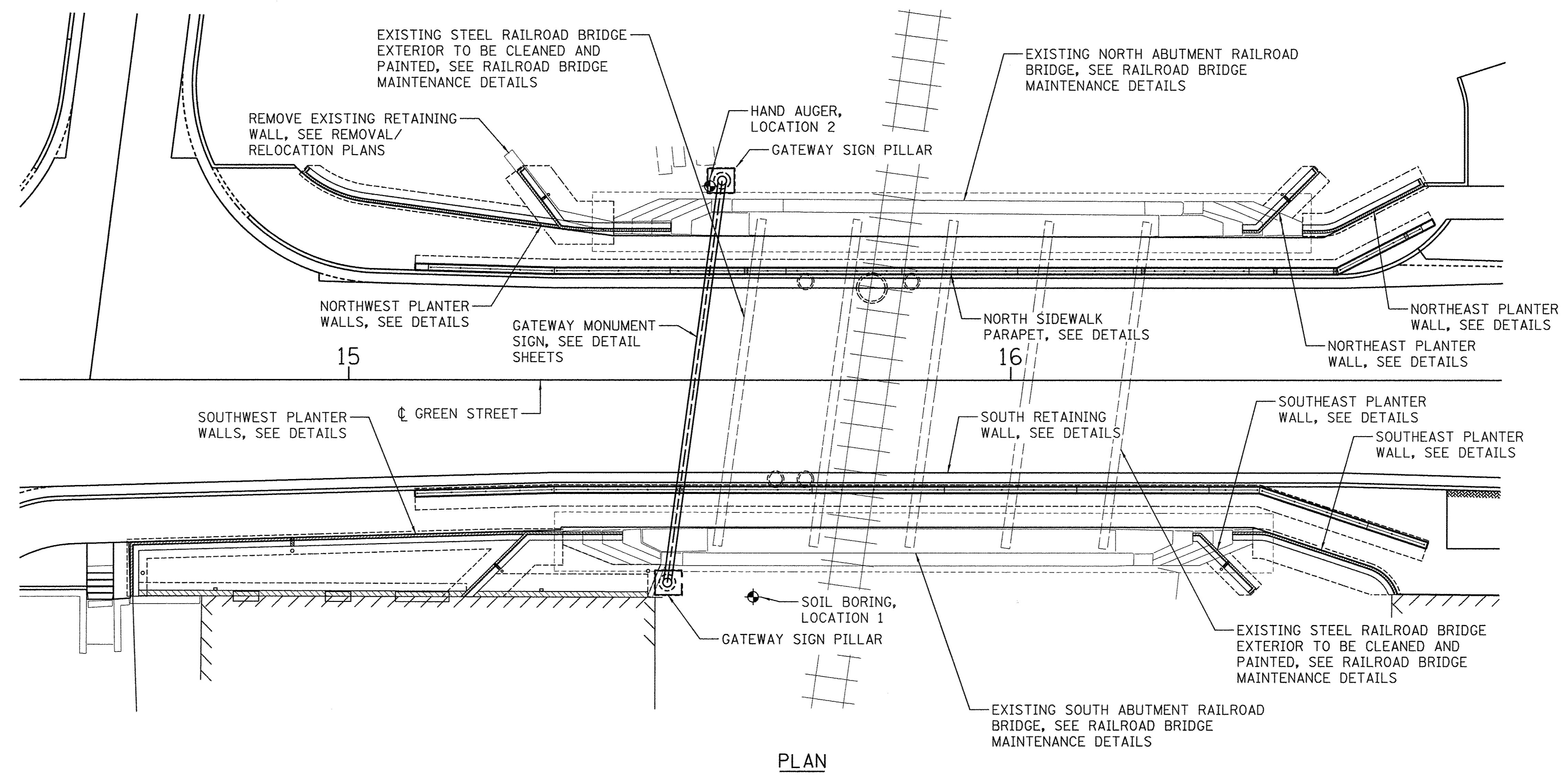
DESIGNED — BK	REVISED —
DRAWN — DZ/JT/JR	REVISED —
CHECKED — RS, BM	REVISED —
DATE — MARCH 2016	REVISED —

STATE OF ILLINOIS
DEPARTMENT OF TRANSPORTATION

LANDSCAPE PLANS
WAYFINDING SIGN DETAILS

SHEET NO. 250 OF 412 SHEETS STA. TO STA.

F.A.U. R.T.E.	SECTION	COUNTY	TOTAL SHEETS	SHEET NO.
7126	15-00304-02-PV	CHAMPAIGN	412	250
MCORE PROJECT 2			CONTRACT NO. 91540	
JOB NO. C-95-306-16 ILLINOIS FED. AID PROJECT TIG-5181(058)				



DESIGN STRESSES

FIELD UNITS
 f'c = 3,500 PSI
 fy = 60,000 PSI (REINFORCEMENT)
 fy = 36,000 PSI (ASTM A36)
 fy = 50,000 PSI (ASTM A992)
 fy = 42,000 PSI (ASTM A500 GR. B)

DESIGN SPECIFICATIONS

2012 INTERNATIONAL BUILDING CODE
 AASHTO LRFD BRIDGE DESIGN SPECIFICATIONS, 7TH EDITION



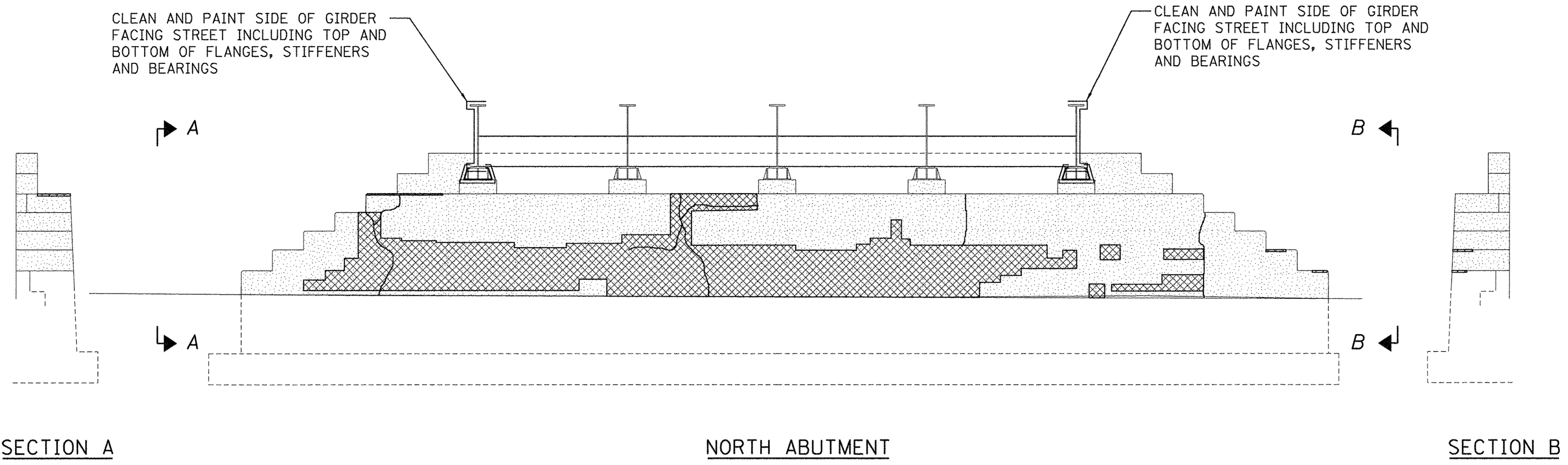
FILE NAME = \$FILES\$	DESIGNED - S.M.M.	REVISED -
PLOT DATE = 3/16/2016 \$TIMES\$	DRAWN - S.M.M.	REVISED -
	CHECKED - K.R.L.	REVISED -
	DATE - MARCH 2016	REVISED -

STATE OF ILLINOIS DEPARTMENT OF TRANSPORTATION

STRUCTURAL PLANS	
PLAN AT GREEN STREET AND RAILROAD BRIDGE	
SCALE : 3/8"=1'	SHEET NO. 251 OF 412 SHEETS

F.A.U. RTE. 7126	SECTION 15-00304-02-PV	COUNTY CHAMPAIGN	TOTAL SHEETS 412	SHEET NO. 251
JOB NO. C-95-306-16		ILLINOIS FED. AID PROJECT TTG-5181(058)		

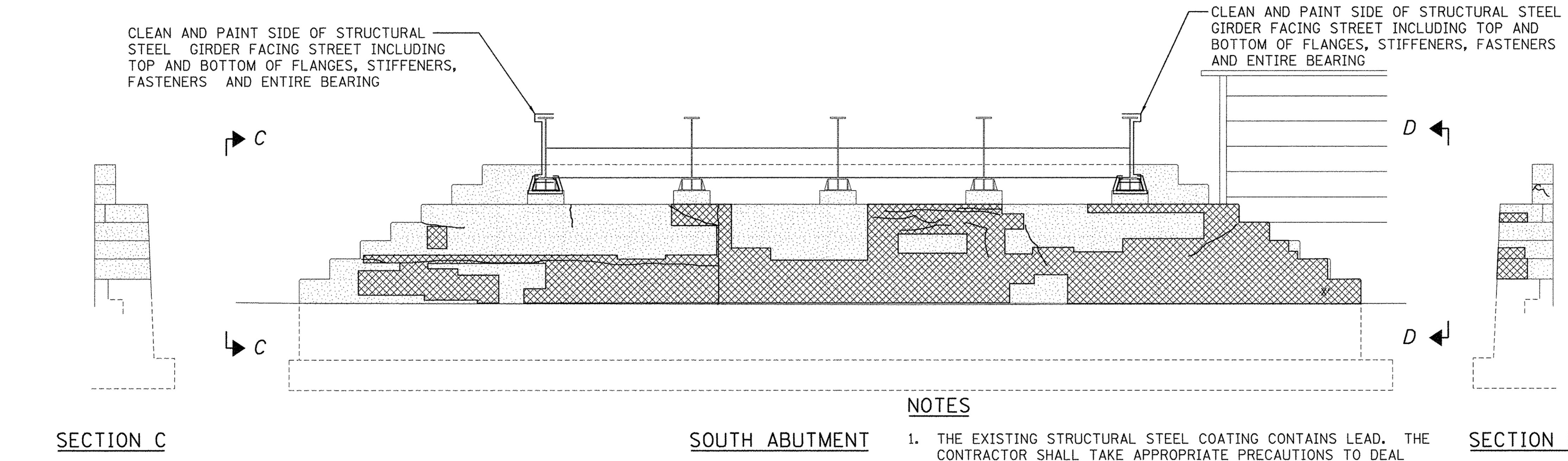
MCORE PROJECT 2		CONTRACT NO. 91540	
------------------------	--	---------------------------	--



SECTION A

NORTH ABUTMENT

SECTION B



SECTION C

SOUTH ABUTMENT

SECTION D

- APPROXIMATE AREA OF DELAMINATED OR SPALLED CONCRETE OBSERVED IN SITE INVESTIGATION
- PROMINENT CRACKS OBSERVED IN SITE INVESTIGATION
- CONCRETE AREA FOR "PAINTING"

NOTES

1. THE EXISTING STRUCTURAL STEEL COATING CONTAINS LEAD. THE CONTRACTOR SHALL TAKE APPROPRIATE PRECAUTIONS TO DEAL WITH THE PRESENCE OF LEAD ON THIS PROJECT.
2. CLEANING AND PAINTING OF THE EXISTING STRUCTURAL STEEL AND BEARINGS OF THE RAILROAD BRIDGE AT THE LOCATIONS INDICATED SHALL BE INCLUDED WITH "CLEANING AND PAINTING STRUCTURAL STEEL, LOCATION 1." COLOR SHALL BE AS INDICATED ON THE LANDSCAPE PLANS.
2. AREAS SHOWN WITH DETERIORATION BASED ON SITE INVESTIGATION. CONTRACTOR SHALL REVIEW AREAS TO BE REPAIRED WITH ENGINEER.
3. CRACKS TO BE EPOXY INJECTED SHALL BE IDENTIFIED AFTER DELAMINATED CONCRETE HAS BEEN REMOVED.
4. PAINTING CONCRETE SHALL BE PERFORMED AFTER REPAIRED CONCRETE HAS FULLY CURED AND MEETS PAINT MANUFACTURER'S REQUIREMENTS FOR SUBSTRATE PREPARATION.

BILL OF MATERIAL

ITEM	UNIT	QUANTITY
CONTAINMENT AND DISPOSAL OF LEAD PAINT CLEANING RESIDUES	LSUM	1
CLEANING AND PAINTING STRUCTURAL STEEL, LOCATION 1	LSUM	1
STRUCTURAL REPAIR OF CONCRETE (DEPTH GREATER THAN 5 IN.)	SQ. FT.	*360
STRUCTURAL REPAIR OF CONCRETE (DEPTH EQUAL TO OR LESS THAN 5 IN.)	SQ. FT.	*720
EPOXY CRACK INJECTION	FOOT	200
PAINTING	LSUM	1

*ESTIMATED QUANTITY

FILE NAME = \$FILES\$
PLOT DATE = 3/16/2016 \$TIMES\$

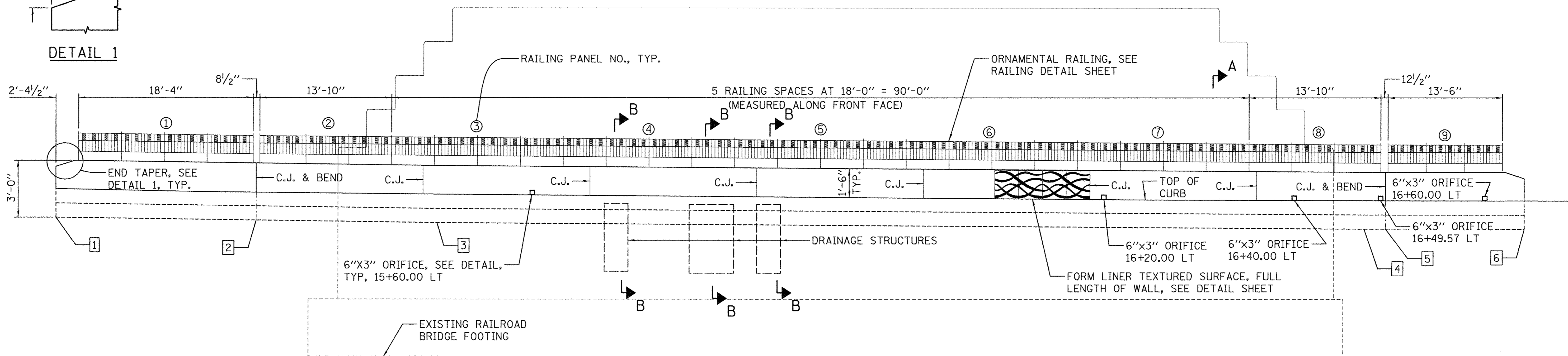
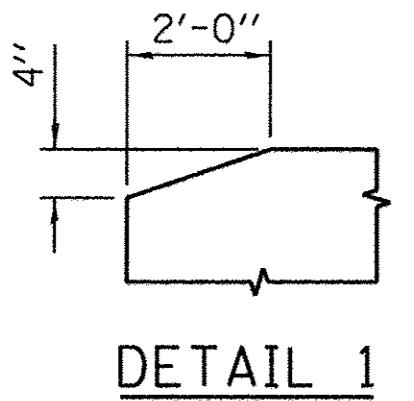
DESIGNED - S.M.M.	REVISED -
DRAWN - S.M.M.	REVISED -
CHECKED - K.R.L.	REVISED -
DATE - MARCH 2016	REVISED -

STATE OF ILLINOIS
DEPARTMENT OF TRANSPORTATION

**STRUCTURAL PLANS
RAILROAD BRIDGE MAINTENANCE DETAILS**

SCALE : NONE SHEET NO. 252 OF 412 SHEETS STA. TO STA.

F.A.U. RTE. 7126	SECTION 15-00304-02-PV	COUNTY CHAMPAIGN	TOTAL SHEETS 412	SHEET NO. 252
MCORE PROJECT 2			CONTRACT NO. 91540	
JOB NO. C-95-306-16 ILLINOIS FED. AID PROJECT T16-5181(058)				



CONTROL POINTS

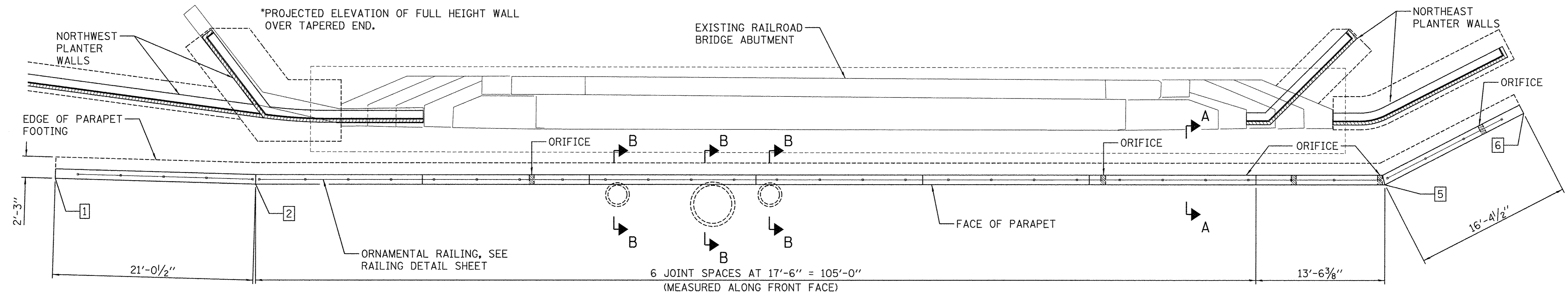
NO.	DESCRIPTION	STATION	OFFSET	B.O. FOOT. ELEV.	T.O. WALL ELEV.
1	START	15+10.00	16.68 LT	724.10	*727.10
2	CORNER	15+31.03	16.08 LT	723.98	726.98
3	VERTICAL TANGENT	15+50.00	16.08 LT	723.82	726.82
4	VERTICAL TANGENT	16+47.32	16.08 LT	723.49	726.49
5	CORNER	16+49.57	16.08 LT	723.48	726.48
6	END	16+64.13	23.58 LT	723.56	*726.56

ELEVATION
(LOOKING NORTH, 1:2 H:V)

BILL OF MATERIAL

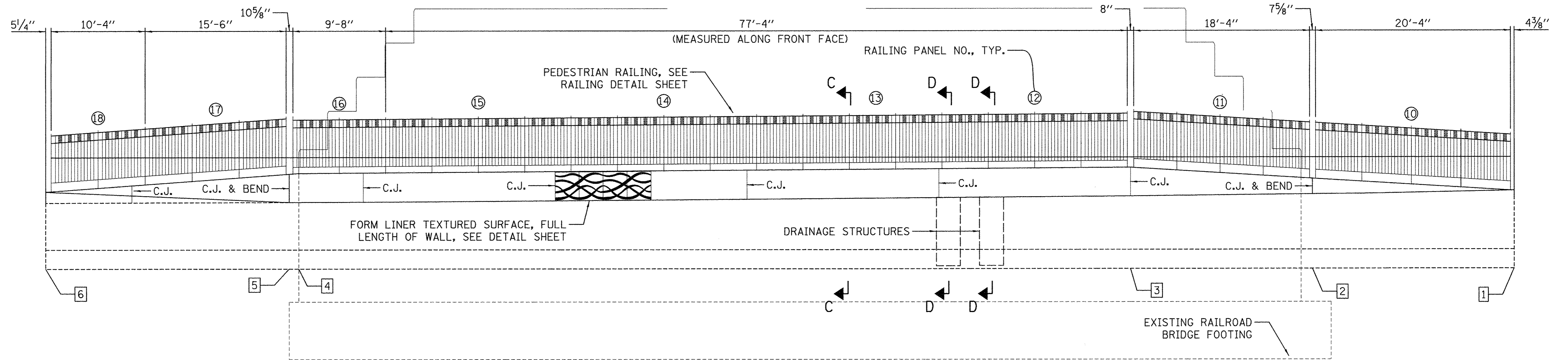
ITEM	UNIT	QUANTITY
STRUCTURE EXCAVATION (SPECIAL)	CU YD	37
CONCRETE STRUCTURES (SPECIAL)	CU YD	22.6
ORNAMENTAL RAILING	FOOT	152
FORM LINER TEXTURED SURFACE	SQ FT	234

CONTROL POINTS ARE AT FRONT FACE OF WALL.
*PROJECTED ELEVATION OF FULL HEIGHT WALL OVER TAPERED END.



PLAN





CONTROL POINTS

NO.	DESCRIPTION	STATION	OFFSET	B.O. FOOT. ELEV.	T.O. WALL ELEV.
1	START	15+10.00	16.68 RT	721.51	725.59
2	CORNER	15+31.03	16.08 RT	721.51	726.24
3	VERTICAL TANGENT	15+50.00	16.08 RT	721.51	726.82
4	VERTICAL TANGENT	16+36.71	16.08 RT	721.51	726.52
5	CORNER	16+37.71	16.08 RT	721.51	726.49
6	END	16+63.10	24.55 RT	721.51	725.56

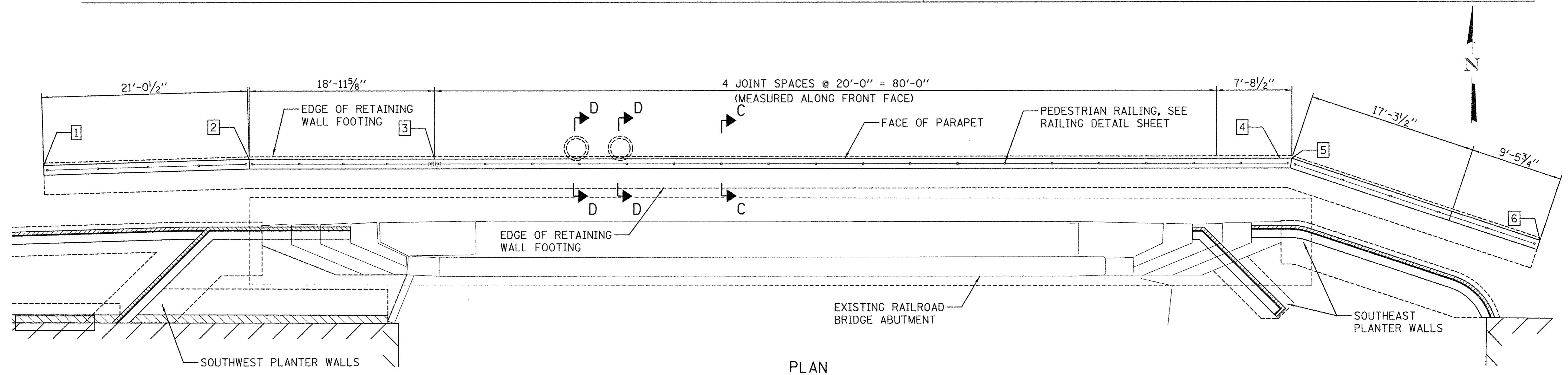
CONTROL POINTS ARE AT FRONT FACE OF WALL.

ELEVATION
(LOOKING SOUTH, 1:2 H:V)

BILL OF MATERIAL

ITEM	UNIT	QUANTITY
STRUCTURE EXCAVATION (SPECIAL)	CU YD	107
CONCRETE STRUCTURES (SPECIAL)	CU YD	41.0
PEDESTRIAN RAILING	FOOT	154
FORM LINER TEXTURED SURFACE	SQ FT	182

STA 16+00



PLAN

FILE NAME = \$FILES\$
PLOT DATE = 3/16/2016 \$TIMES\$

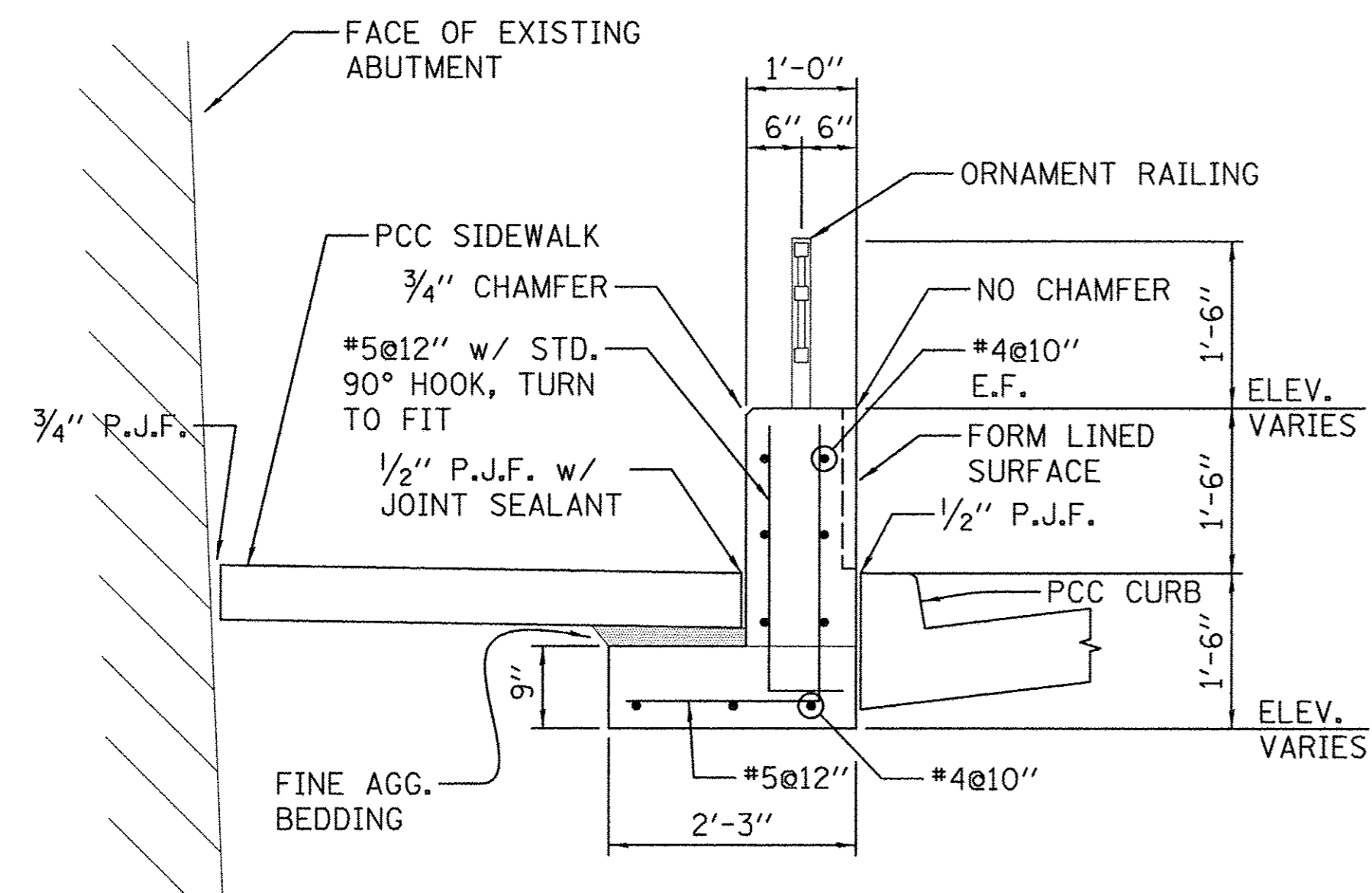
DESIGNED - S.M.M. REVISIONS -
DRAWN - S.M.M. REVISIONS -
CHECKED - K.R.L. REVISIONS -
DATE - MARCH 2016 REVISIONS -

STATE OF ILLINOIS
DEPARTMENT OF TRANSPORTATION

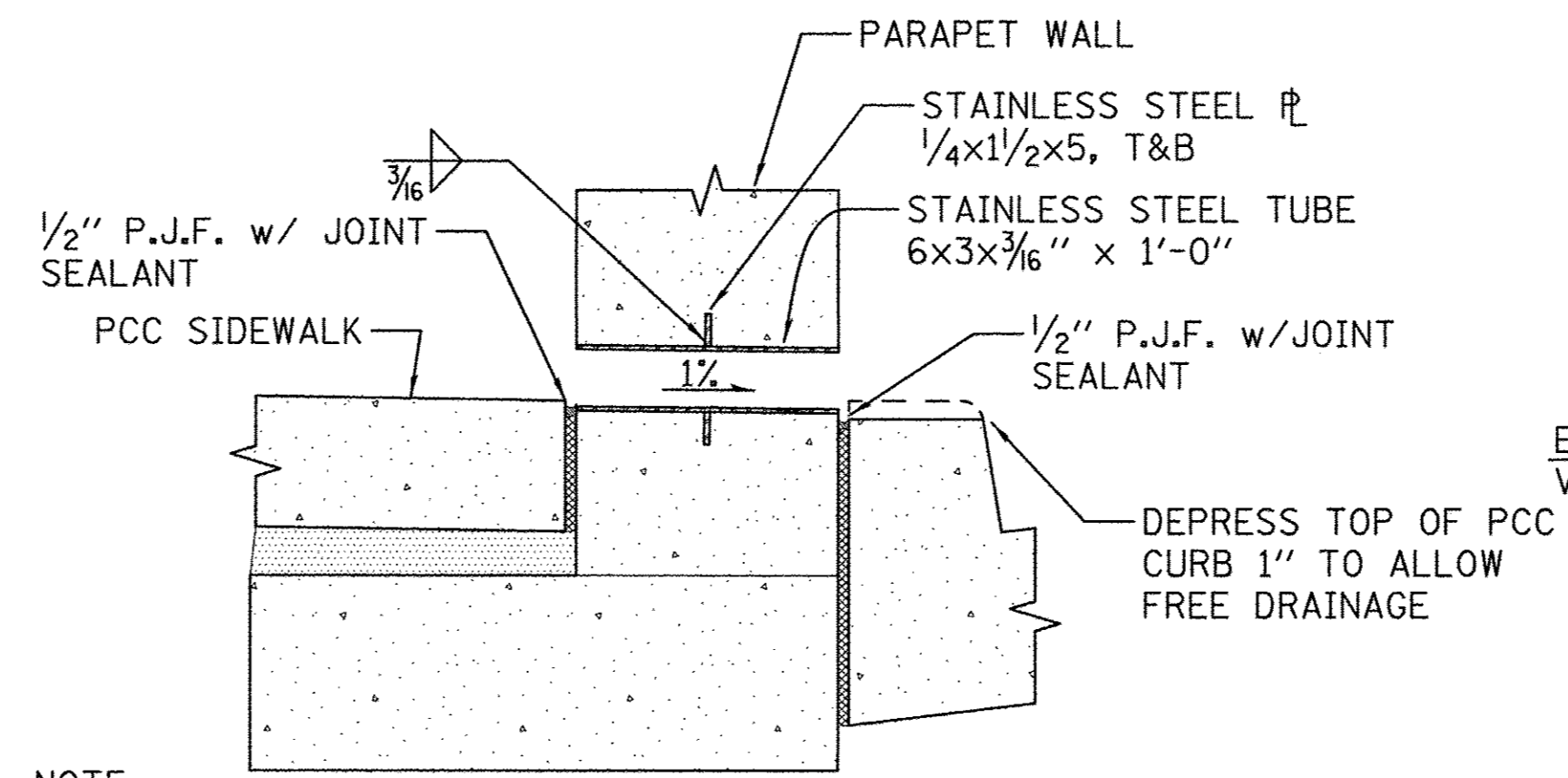
**STRUCTURAL PLANS
SOUTH RETAINING WALL**

SCALE : 3/16"=1' SHEET NO. 254 OF 412 SHEETS STA. TO STA.

F.A.U. RTE.	SECTION	COUNTY	TOTAL SHEETS	SHEET NO.
7126	15-00304-02-PV	CHAMPAIGN	412	254
MCORE PROJECT 2		CONTRACT NO. 91540		
JOB NO. C-95-306-16 ILLINOIS FED. AID PROJECT T16-518(058)				

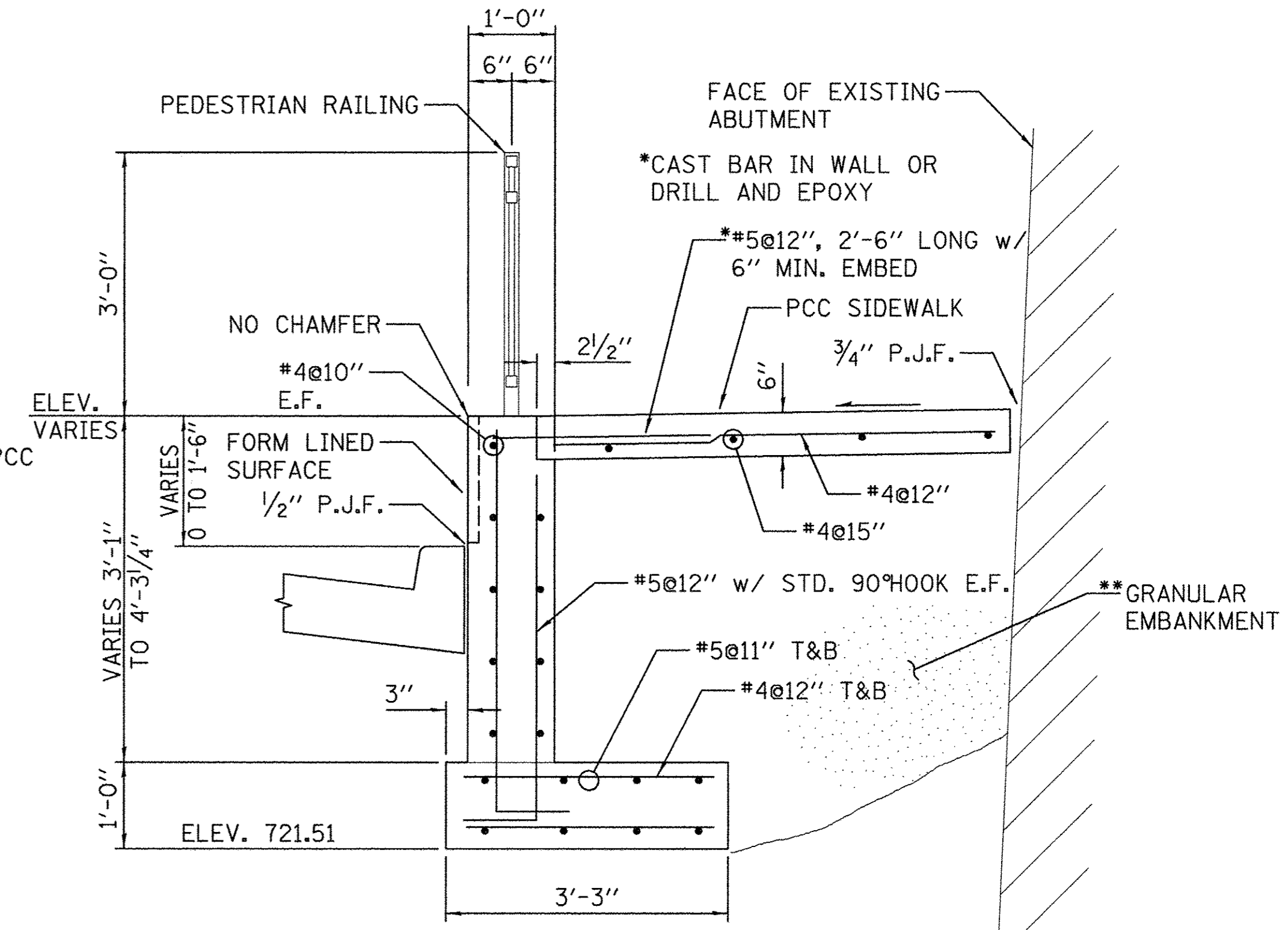


SECTION A



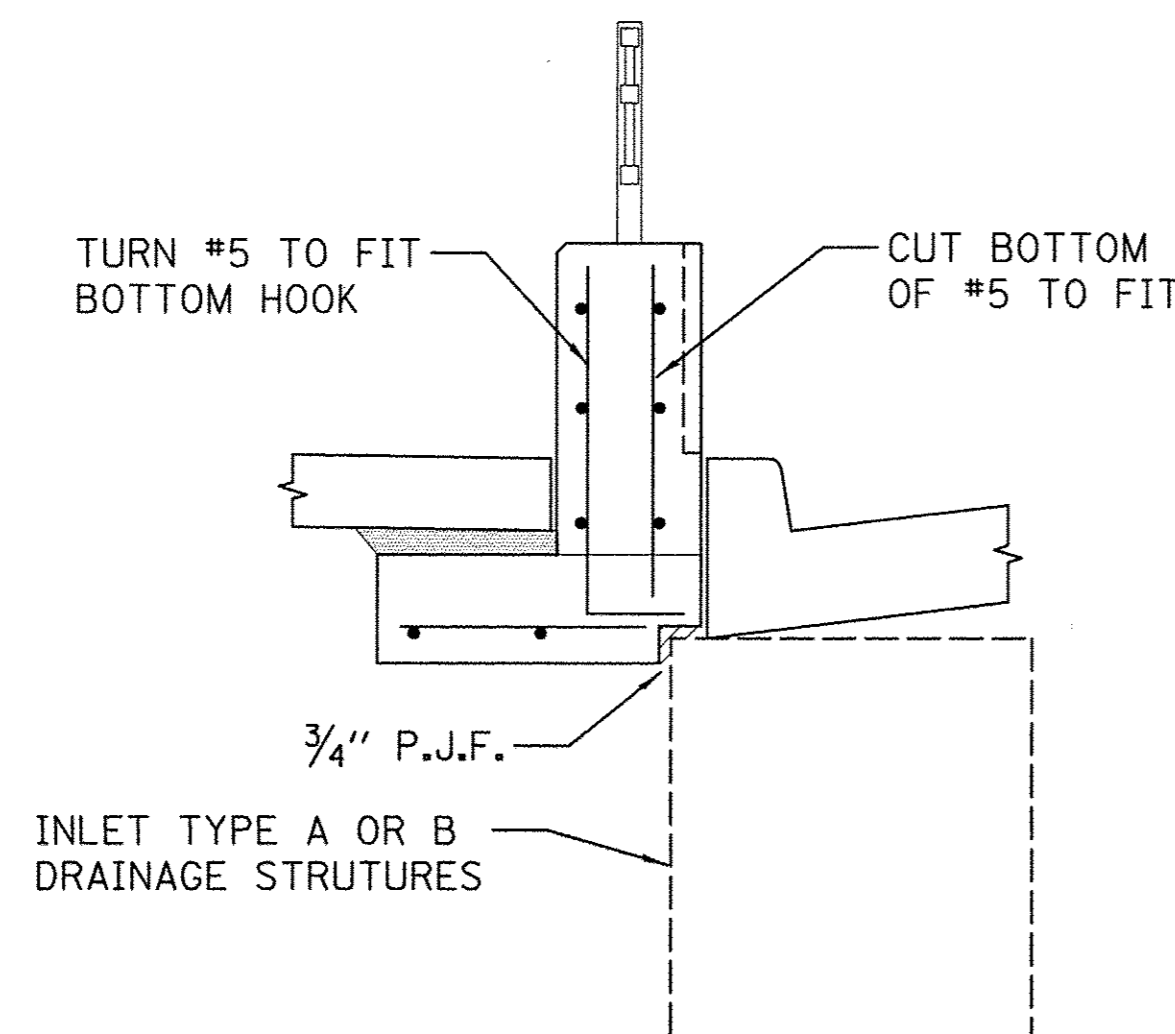
NOTE:
THE COST TO FURNISH AND INSTALL ORIFICES WILL NOT BE PAID FOR SEPERATELY BUT SHALL BE INCLUDED IN THE COST OF CONCRETE STRUCTURS (SPECIAL)

DETAIL 2 - 6"x3" ORIFICE
(5 LOCATIONS)

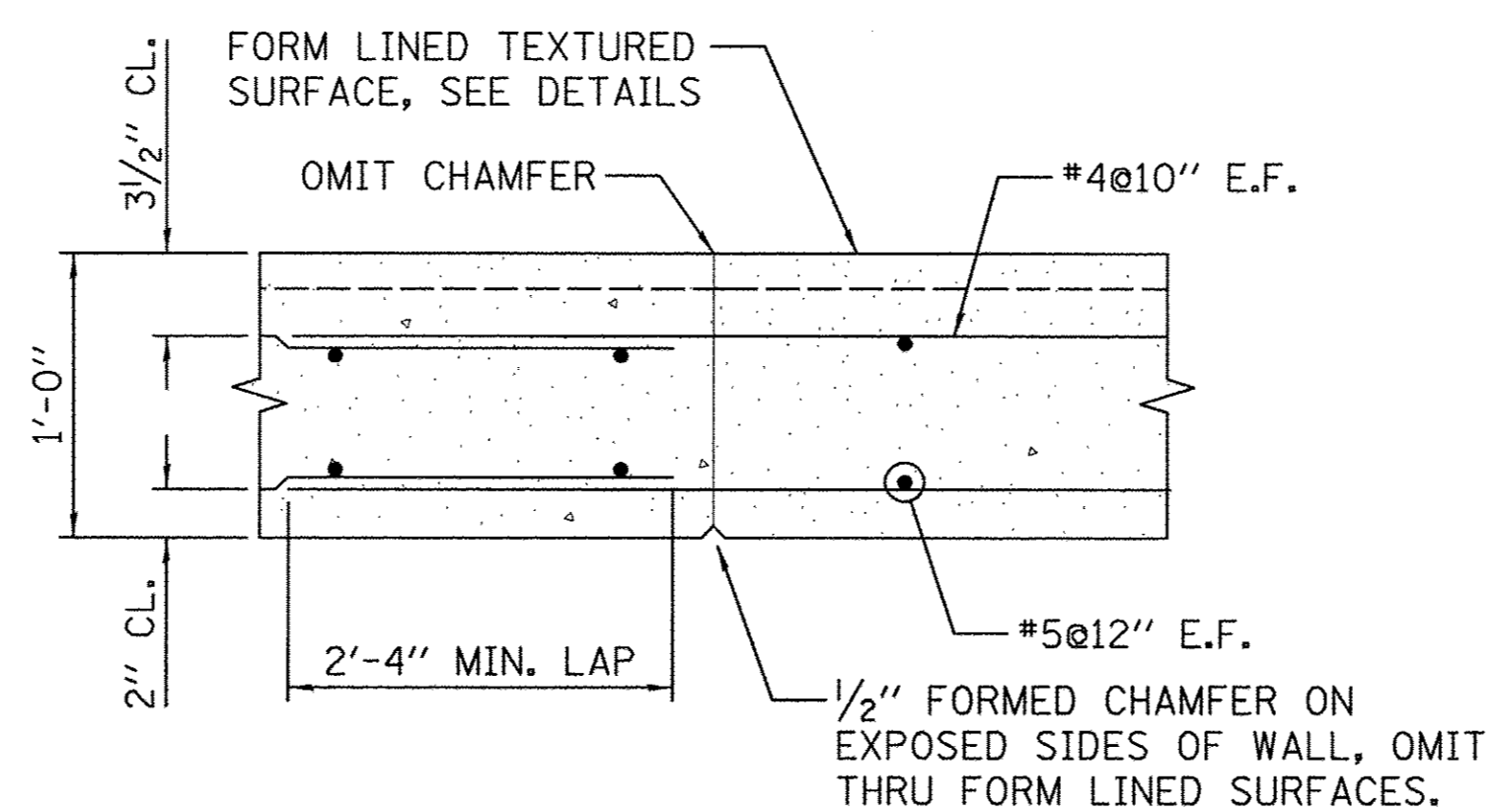


SECTION C

**THE COST TO FURNISH AND INSTALL GRANULAR EMBANKMENT WILL NOT BE PAID FOR SEPERATELY BUT SHALL BE INCLUDED IN THE COST OF STRUCTURE EXCAVATION (SPECIAL)



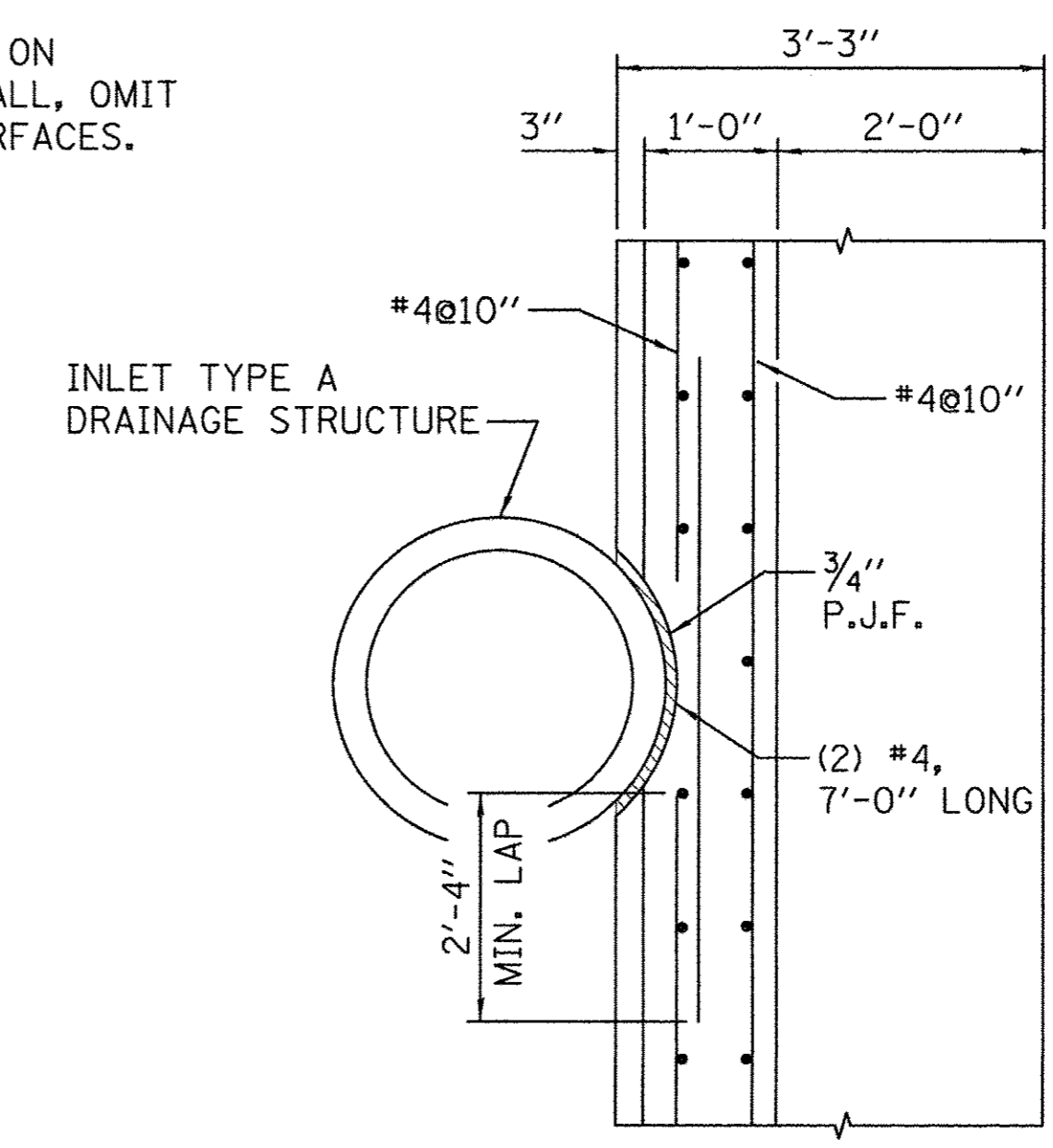
SECTION B
(SIMILAR TO SECTION A U.N.O.)



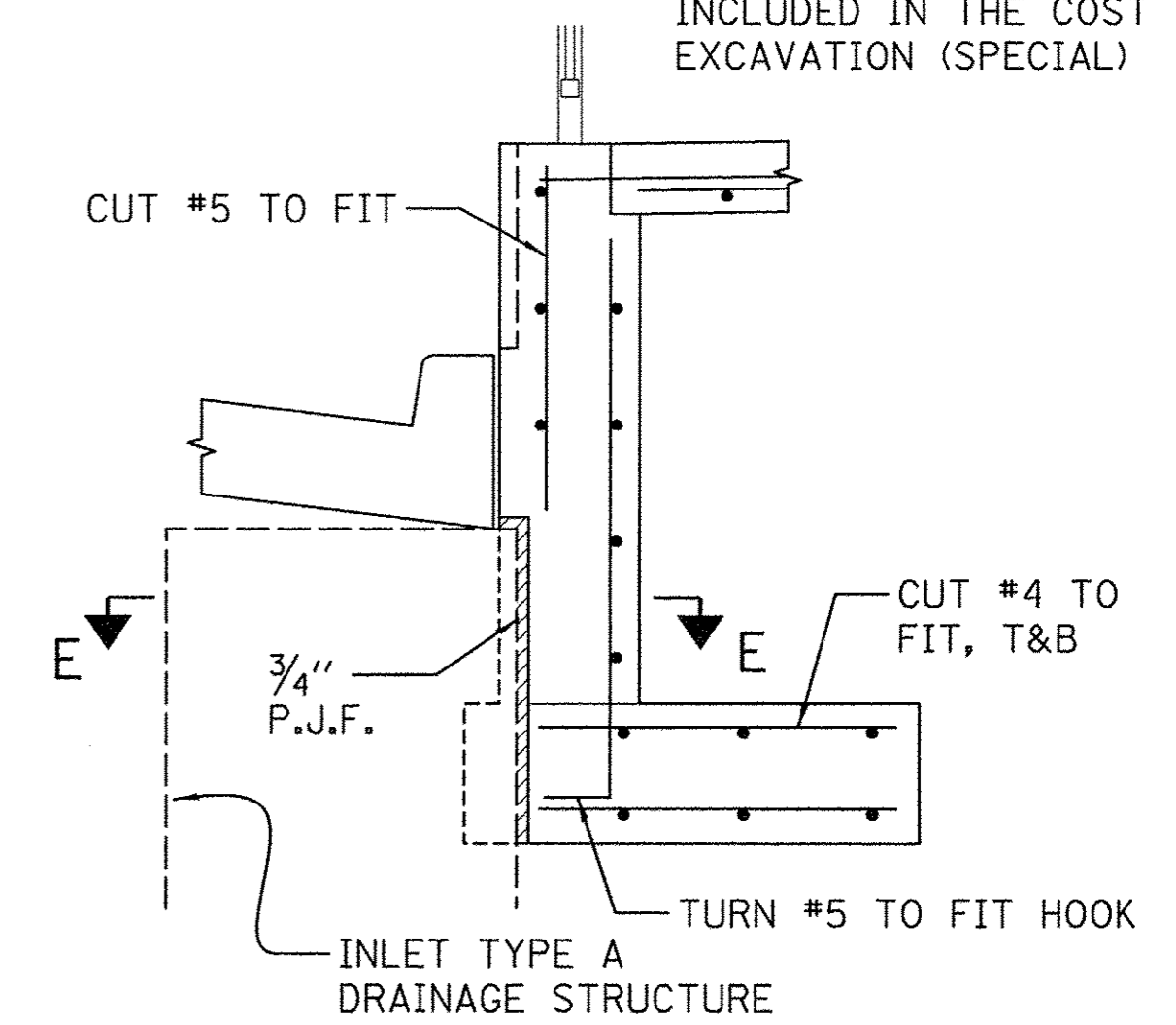
CONTROL AND CONSTRUCTION JOINTS

PARAPET AND RETAINING WALL NOTES

- FOR PARAPET AND ORNAMENTAL RAILINGS SEE DETAIL SHEET.
- FOR FORM LINER TEXTURED SURFACE SEE DETAIL SHEET.
- CONCRETE FOR WALLS SHALL BE INTEGRALLY COLORED. CONCRETE FOR FOOTINGS NEED NOT BE COLORED. SEE SPECIAL PROVISIONS.
- THE COST TO FURNISH AND INSTALL REINFORCEMENT BARS WILL NOT BE PAID FOR SEPERATELY BUT SHALL BE INCLUDED IN THE COST OF CONCRETE STRUCTURS (SPECIAL). SUBMIT SHOP DRAWINGS FOR REINFORCING BARS.
- PROVIDE THE FOLLOWING BAR CLEARANCES:
BOTTOM OF FOOTING: 3"
AT SIDES WITH FORM LINER: 3/2"
ALL OTHER LOCATIONS: 2"
- MINIMUM LAP LENGTHS ARE THUS:
#4 BARS: 2'-4"
#5 BARS: 3'-0"



SECTION E



SECTION D
(SIMILAR TO SECTION C U.N.O.)



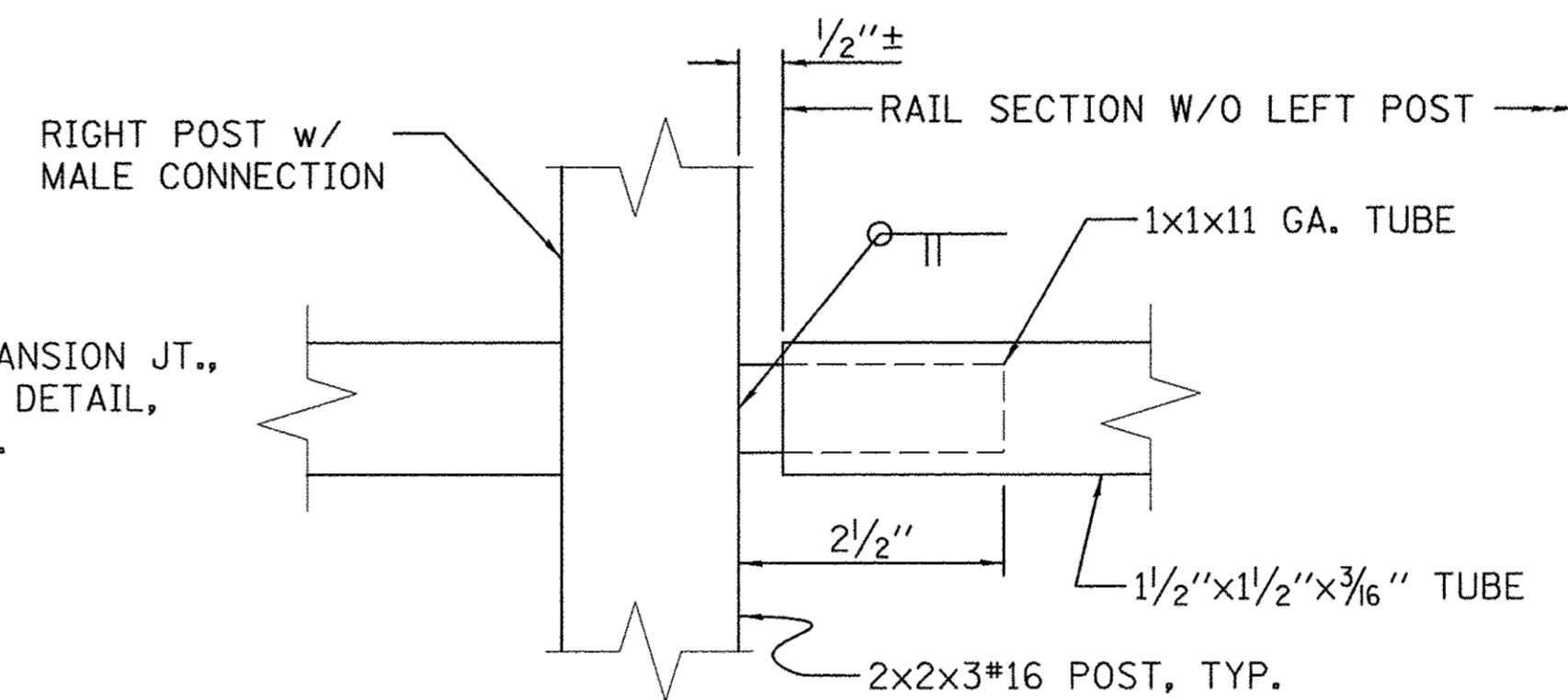
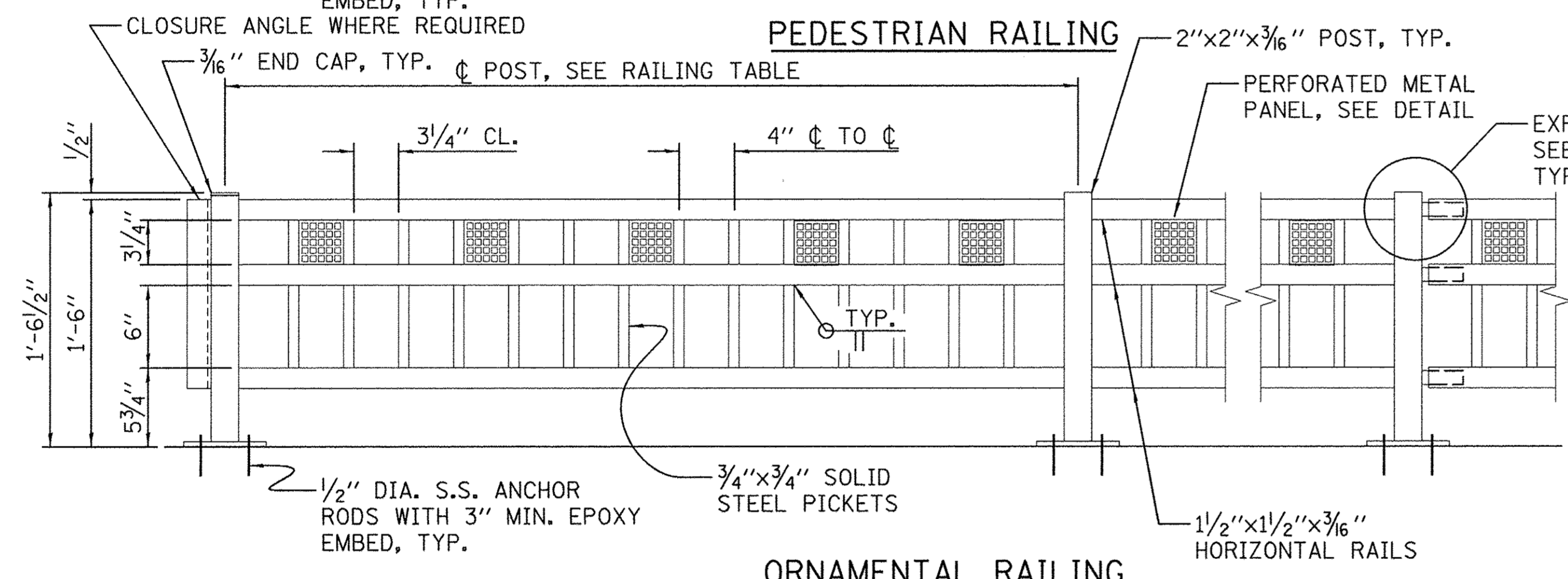
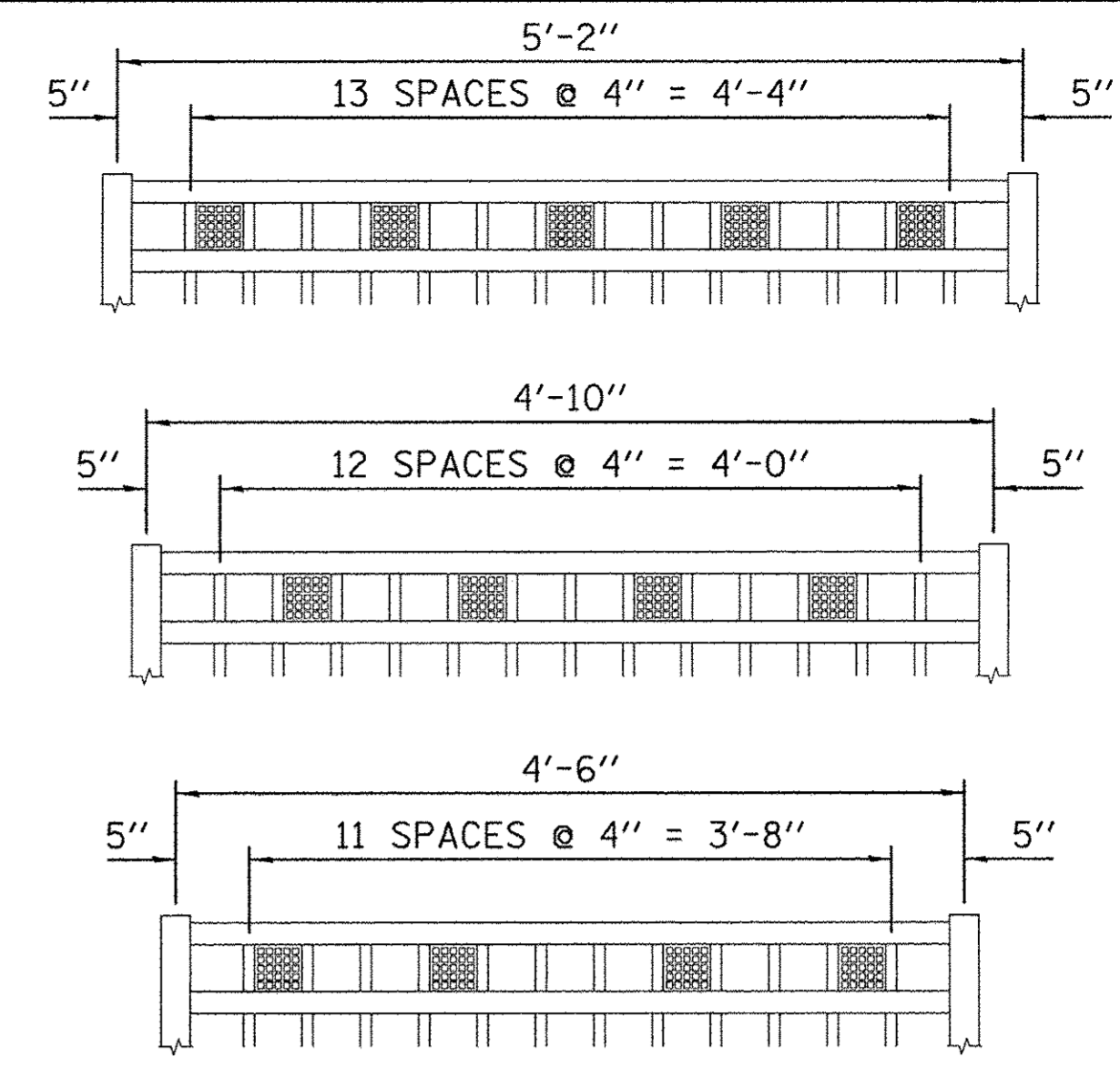
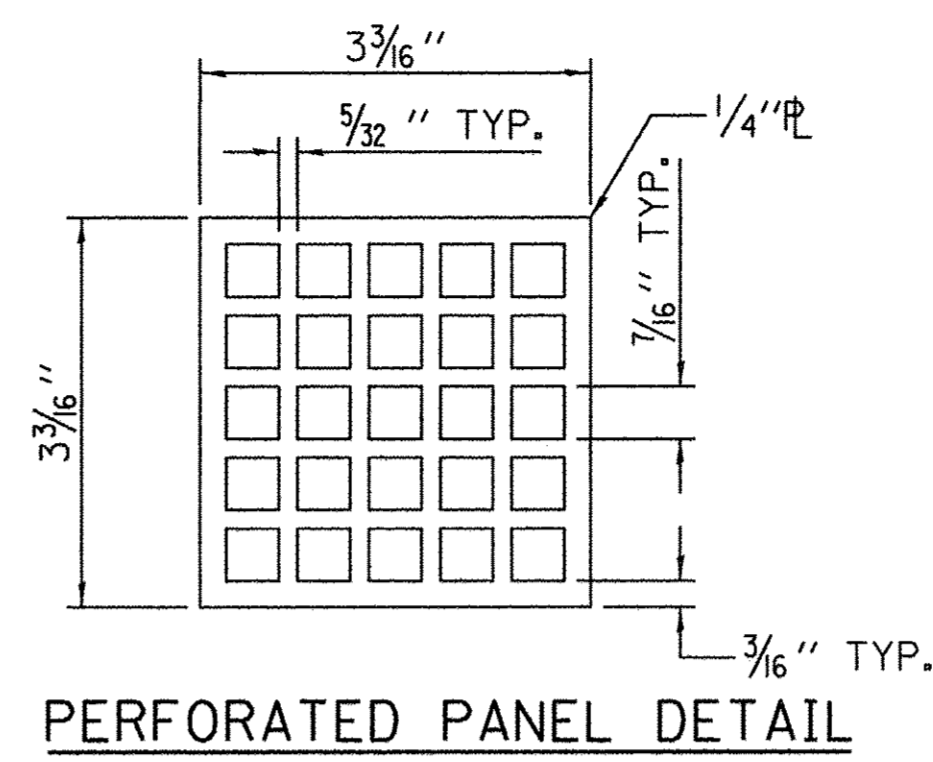
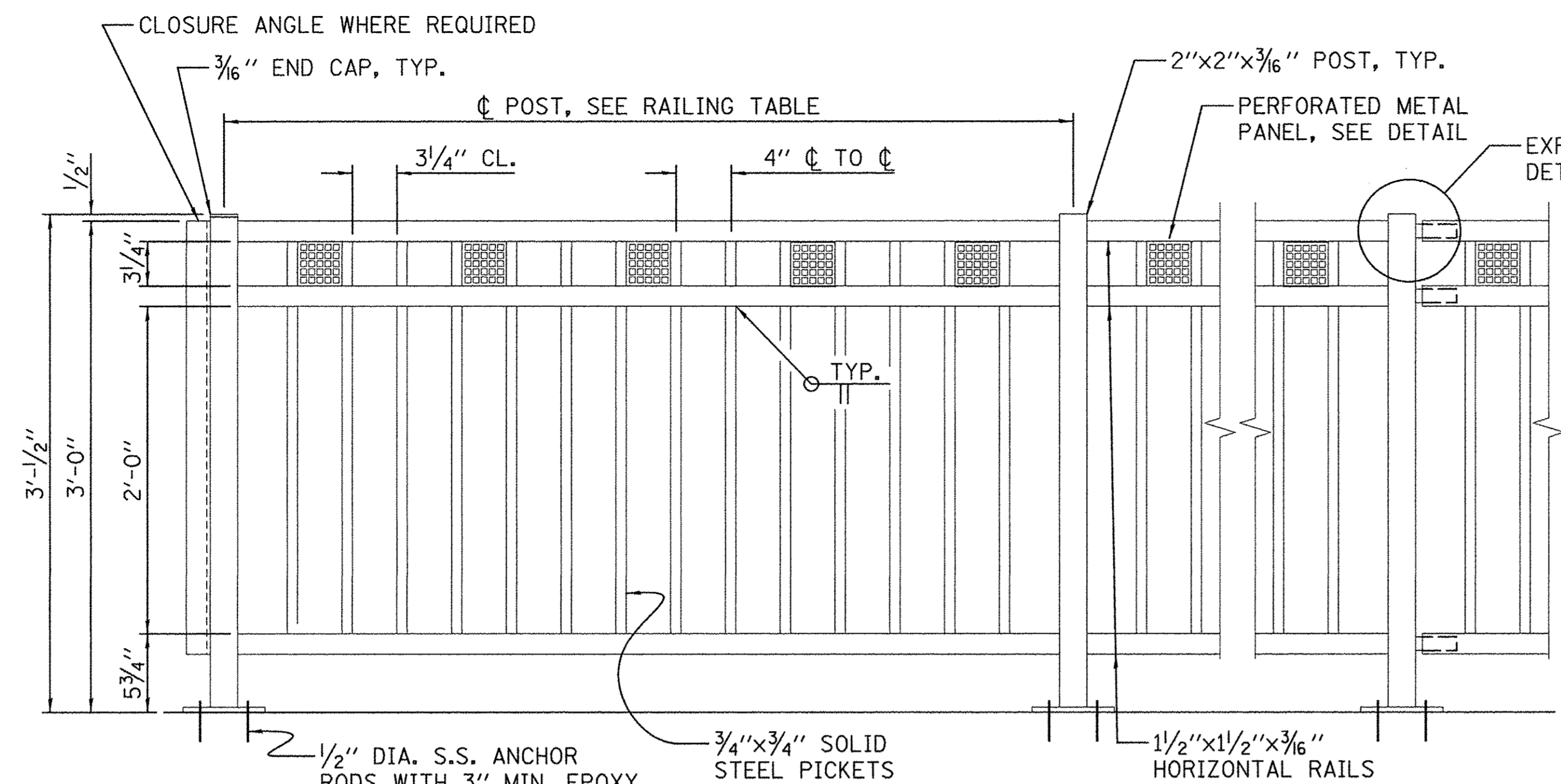
FILE NAME =	DESIGNED - S.M.M.	REVISED -
\$FILES	DRAWN - S.M.M.	REVISED -
PLOT DATE =	CHECKED - K.R.L.	REVISED -
3/16/2016 \$TIMES	DATE - MARCH 2016	REVISED -

STATE OF ILLINOIS
DEPARTMENT OF TRANSPORTATION

STRUCTURAL PLANS
PARAPET AND RETAINING WALL SECTIONS

SCALE : NONE SHEET NO. 255 OF 412 SHEETS STA. TO STA.

F.A.U. RTE.	SECTION	COUNTY	TOTAL SHEETS	SHEET NO.
7126	15-00304-02-PV	CHAMPAIGN	412	255
MCORE PROJECT 2		CONTRACT NO. 91540		
JOB NO. C-95-306-16 ILLINOIS FED. AID PROJECT T16-5181(058)				



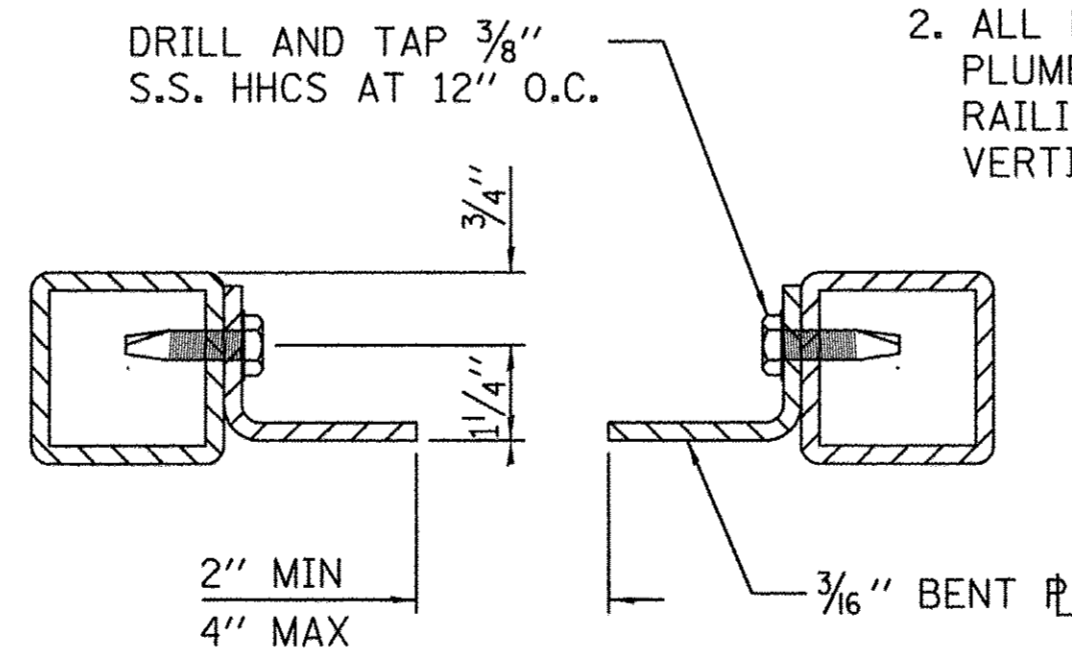
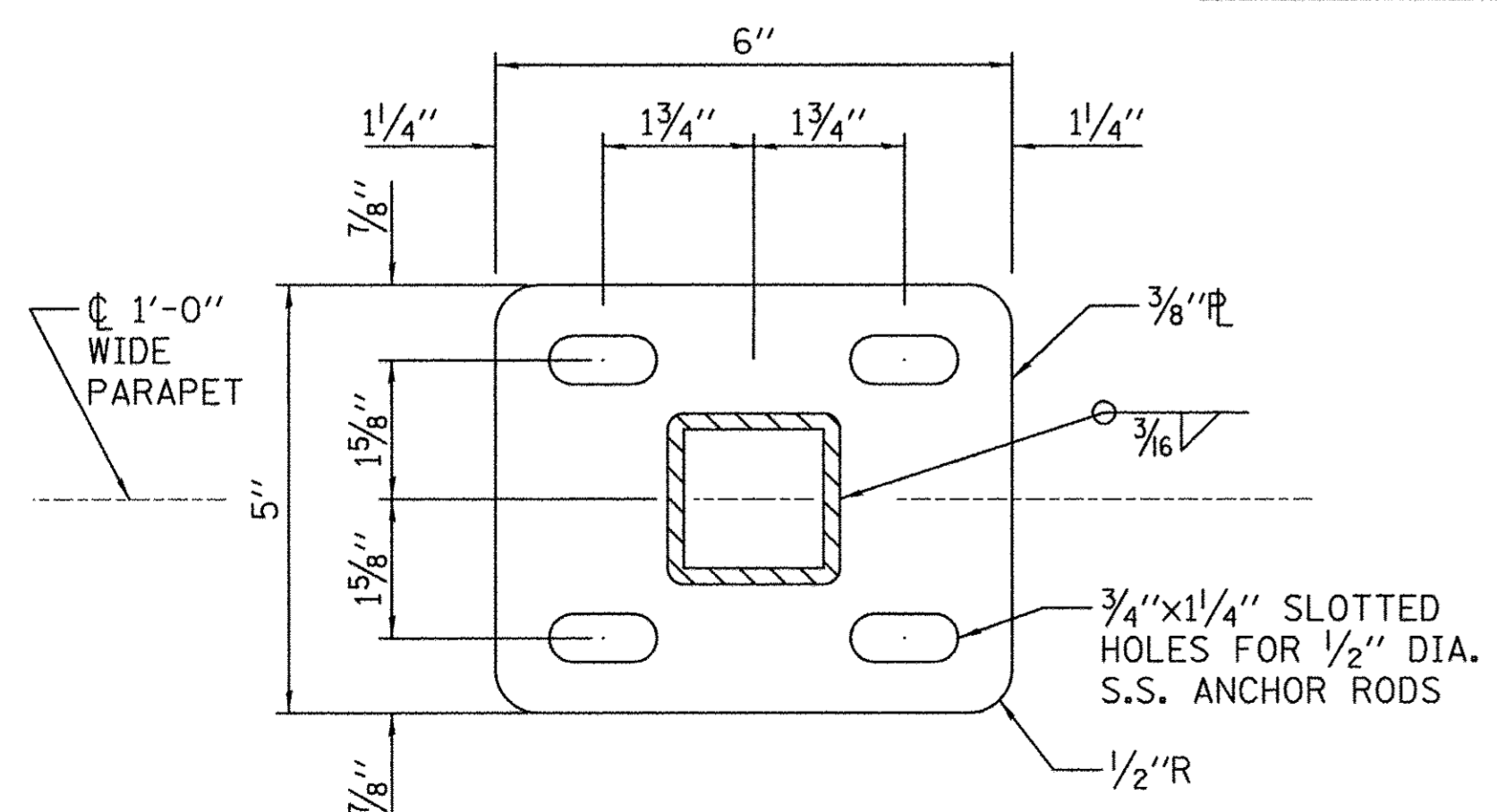
PERFORATED PANEL PLACEMENT AND PICKET SPACING

EXPANSION JOINT

RAILING TABLE

- NOTES:
1. ALL POST, RAILING, SPLICES, ANCHOR DEVICES, AND PLATES SHALL BE GALVANIZED AND PAINTED. SEE SPECIAL PROVISIONS.
 2. ALL POSTS SHALL BE VERTICALLY PLUMB ACCORDING AND HORIZONTAL RAILINGS ANGLED TO ACCOUND FOR WALL VERTICAL GRADE.

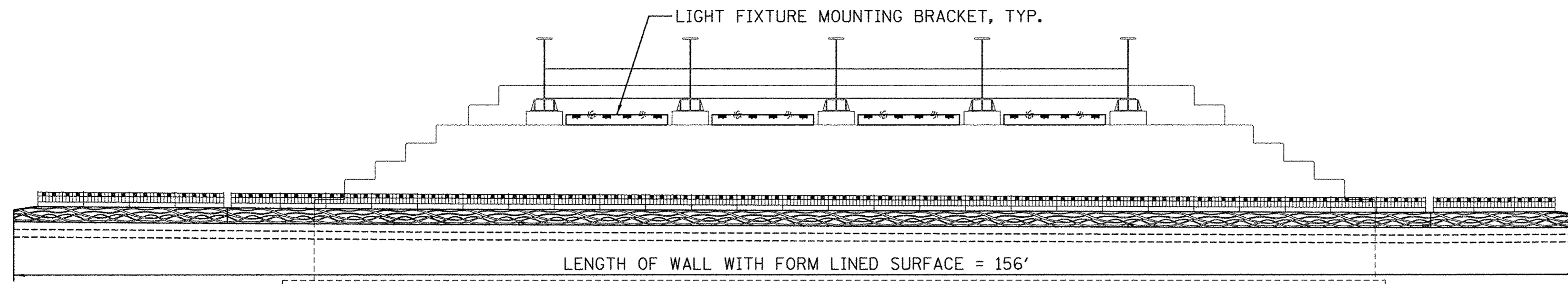
NO.	POST TO POST CL SPACING	*SECTION CL POST SPACING	**NOTES
1	3@4'-6", 1@4'-10"	18'-4"	CLOSURE ANGLE AT RIGHT POST
2	1@4'-10", 2@4'-6"	13'-10"	CLOSURE ANGLE AT LEFT POST, MALE CONNECTION AT RIGHT POST
3	4@4'-6"	*18'-0"	NO LEFT POST, MALE CONNECTION AT RIGHT POST
4	4@4'-6"	*18'-0"	NO LEFT POST, MALE CONNECTION AT RIGHT POST
5	4@4'-6"	*18'-0"	NO LEFT POST, MALE CONNECTION AT RIGHT POST
6	4@4'-6"	*18'-0"	NO LEFT POST, MALE CONNECTION AT RIGHT POST
7	4@4'-6"	*18'-0"	NO LEFT POST, MALE CONNECTION AT RIGHT POST
8	2@4'-6", 1@4'-10"	*13'-10"	NO LEFT POST, CLOSURE ANGLE AT RIGHT POST
9	3@4'-6"	13'-6"	CLOSURE ANGLE AT LEFT POST
ORNA			
10	3@5'-2", 1@4'-10"	20'-4"	CLOSURE ANGLE AT LEFT POST
11	1@4'-10", 3@4'-6"	18'-4"	CLOSURE ANGLE AT LEFT AND RIGHT POSTS
12	4@4'-10"	19'-4"	CLOSURE ANGLE AT RIGHT POST, MALE CONNECTION AT LEFT POST
13	4@4'-10"	*19'-4"	NO RIGHT POST, MALE CONNECTION AT LEFT POST
14	4@4'-10"	*19'-4"	NO RIGHT POST, MALE CONNECTION AT LEFT POST
15	4@4'-10"	*19'-4"	NO RIGHT POST, MALE CONNECTION AT LEFT POST
16	2@4'-10"	*9'-8"	NO RIGHT POST, CLOSURE ANGLE AT LEFT POST
17	3@5'-2"	15'-6"	CLOSURE ANGLE AT RIGHT POST, MALE CONNECTION AT LEFT POST
18	2@5'-2"	*10'-4"	NO RIGHT POST
PDESTRIAN			



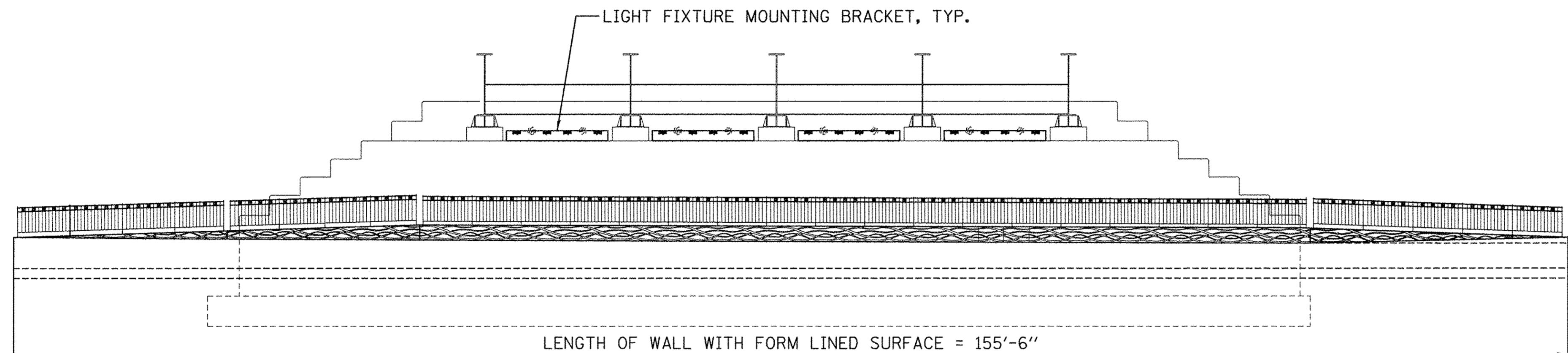
CLOSURE ANGLE

BASE PLATE
NOTE: PROVIDE MATCHING 1/8" THICK DUROMETER NEOPRENE GASKET UNDER BASE P.

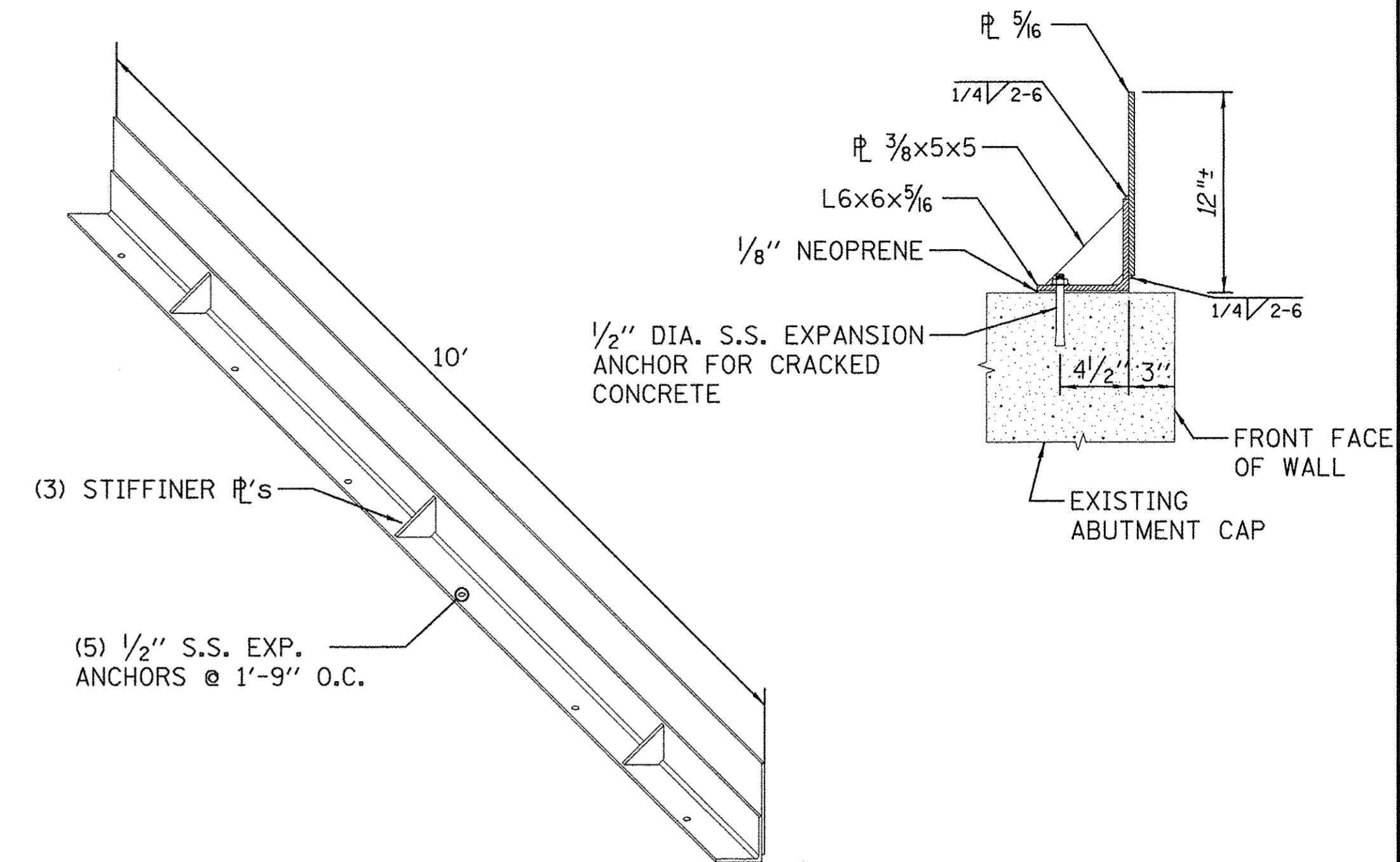
*LENGTH OF SECTIONS WITHOUT LEFT POST ARE SHORTER. LENGTH IS THE DISTANCE BETWEEN CL OF POSTS IF PRESENT.
**LEFT AND RIGHT POST DESIGNATIONS ARE AS VIEWED FROM ROADWAY FACING THE RAILROAD ABUTMENTS.



ELEVATION - NORTH SIDEWALK PARAPET

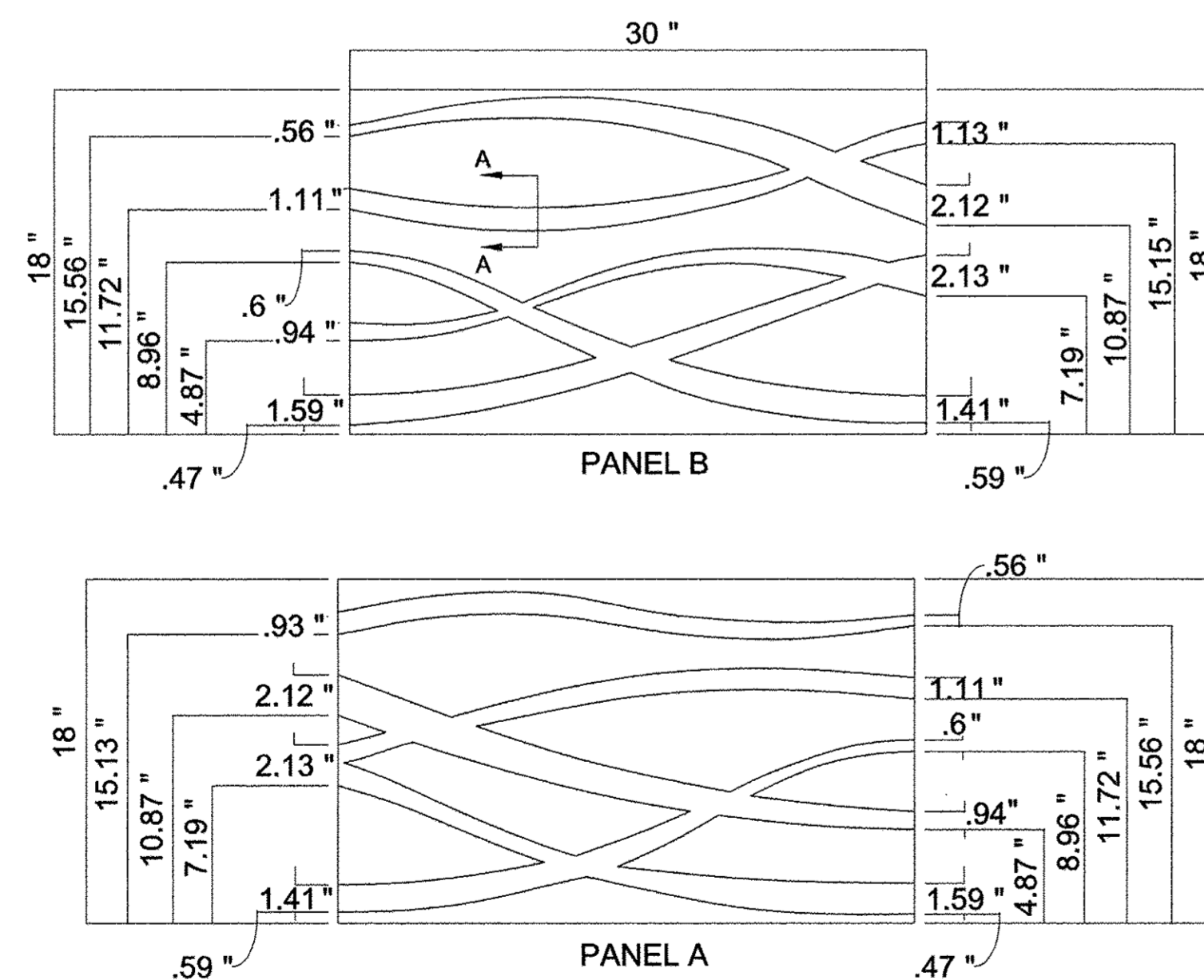


ELEVATION - SOUTH RETAINING WALL



MULTIPLE LIGHT FIXTURE MOUNTING BRACKET

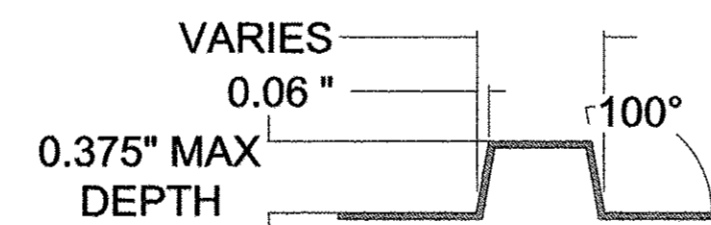
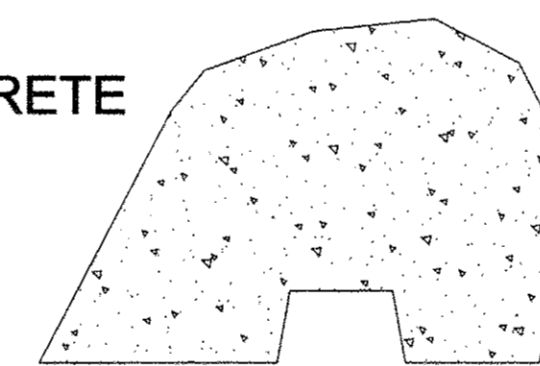
THE COST TO FURNISH AND INSTALL MOUNTING BRACKES WILL NOT BE PAID FOR SEPERATELY BUT SHALL BE INCLUDED IN THE COST OF DECORATIVE LIGHTING SYSTEM COMPLETE. SEE SPECIFICATIONS FOR FABRICATION AND PAINTING REQUIREMENTS.



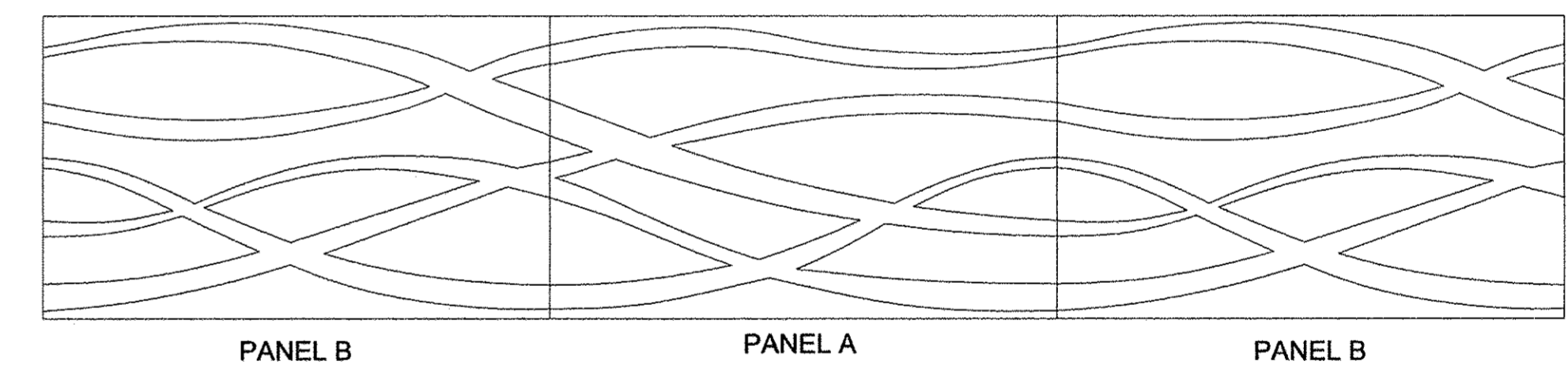
FORM LINER TEXTURE DETAIL

PATTERN: FITZGERAL FORMLINERS PATTERN 15007 A&B (MODIFIED) "ALOHA WAVE"

CONCRETE



SECTION A



PANEL ARRANGEMENT

PARAPET AND RETAINING WALL NOTES

- SEE PARAPET AND RETAINING WALL ELEVATIONS FOR LIMITS AND LOCATION. SEE SPECIAL PROVISIONS.
- WHERE EXPOSED SURFACE OF WALLS TO RECEIVER FORM LINED SURFACE ARE LESS THAN 1'-6" TALL, TRIM BOTTOM OF FORM LINER TO PROVIDE 1/2" OF CONCRETE SURFACE WITHOUT RELIEF.
- AT MOST LOCATIONS THE CONSTRUCTION AND CONTROL JOINTS ARE SPACED TO FIT AN EVEN NUMBER OF FORM LINER PANELS. ALIGN FORM LINER PANEL ENDS AND JOINTS AS POSSIBLE.
- WHERE WALL HAS CORNER AND A FULL FORM LINER PANEL CANNOT BE FIT, CUT PANELS AND CONTINUE PATTERN.



FILE NAME =
\$FILES
PLOT DATE =
3/16/2016 \$TIMES

DESIGNED - S.M.M.
DRAWN - S.M.M.
CHECKED - K.R.L.
DATE - MARCH 2016

REVISED -
REVISED -
REVISED -
REVISED -

STATE OF ILLINOIS
DEPARTMENT OF TRANSPORTATION

STRUCTURAL PLANS
FORM LINER AND LIGHTING BRACKET

SCALE : NONE SHEET NO. 257 OF 412 SHEETS STA. TO STA.

F.A.U. RTE.	SECTION	COUNTY	TOTAL SHEETS	SHEET NO.
7126	15-00304-02-PV	CHAMPAIGN	412	257
MCORE PROJECT 2		CONTRACT NO. 91540		
JOB NO. C-95-306-16 ILLINOIS FED. AID PROJECT TIG-5181(058)				

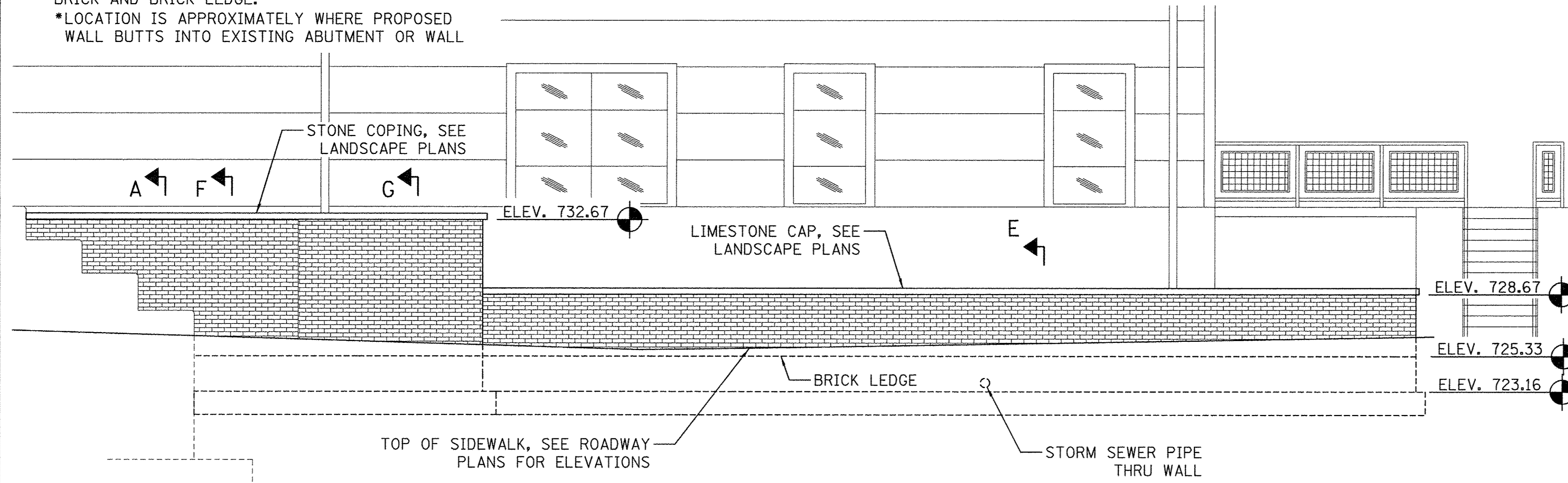
CONTROL POINTS

NO.	DESCRIPTION	STATION	OFFSET
*1	START WALL	14+67.06	32.83 RT
2	CORNER	14+67.06	24.65 RT
3	CORNER	15+24.12	23.02 RT
4	CORNER UPPER WALL	15+26.82	23.02 RT
*5	START UPPER WALL	15+41.38	23.02 RT
*6	END WALL	15+16.97	32.87 RT

CONTROL POINTS 1 THRU 6 ARE AT FRONT FACE OF BRICK AND BRICK LEDGE.
 *LOCATION IS APPROXIMATELY WHERE PROPOSED WALL BUTTS INTO EXISTING ABUTMENT OR WALL

BILL OF MATERIAL

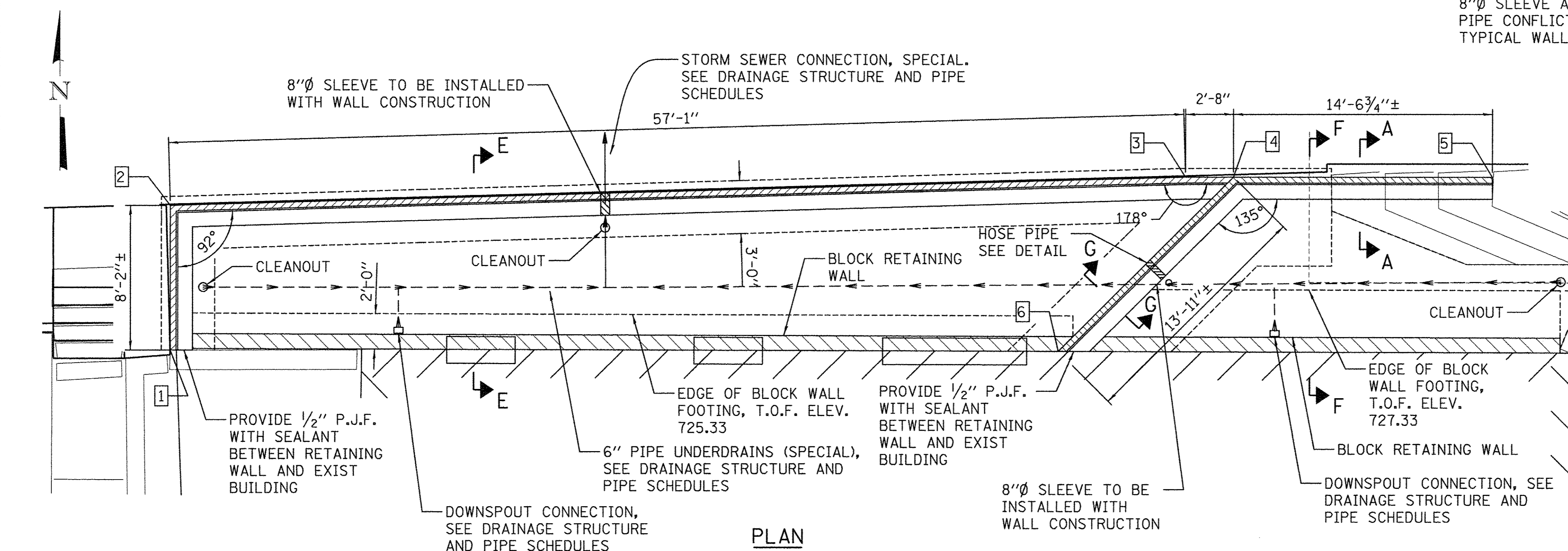
ITEM	UNIT	QUANTITY
STRUCTURE EXCAVATION (SPECIAL)	CU YD	90
CONCRETE STRUCTURES (SPECIAL)	CU YD	38.4
BRICK FACADE	SQ FT	350
BLOCK RETAINING WALL	SQ FT	320
LIMESTONE CAP	FOOT	68



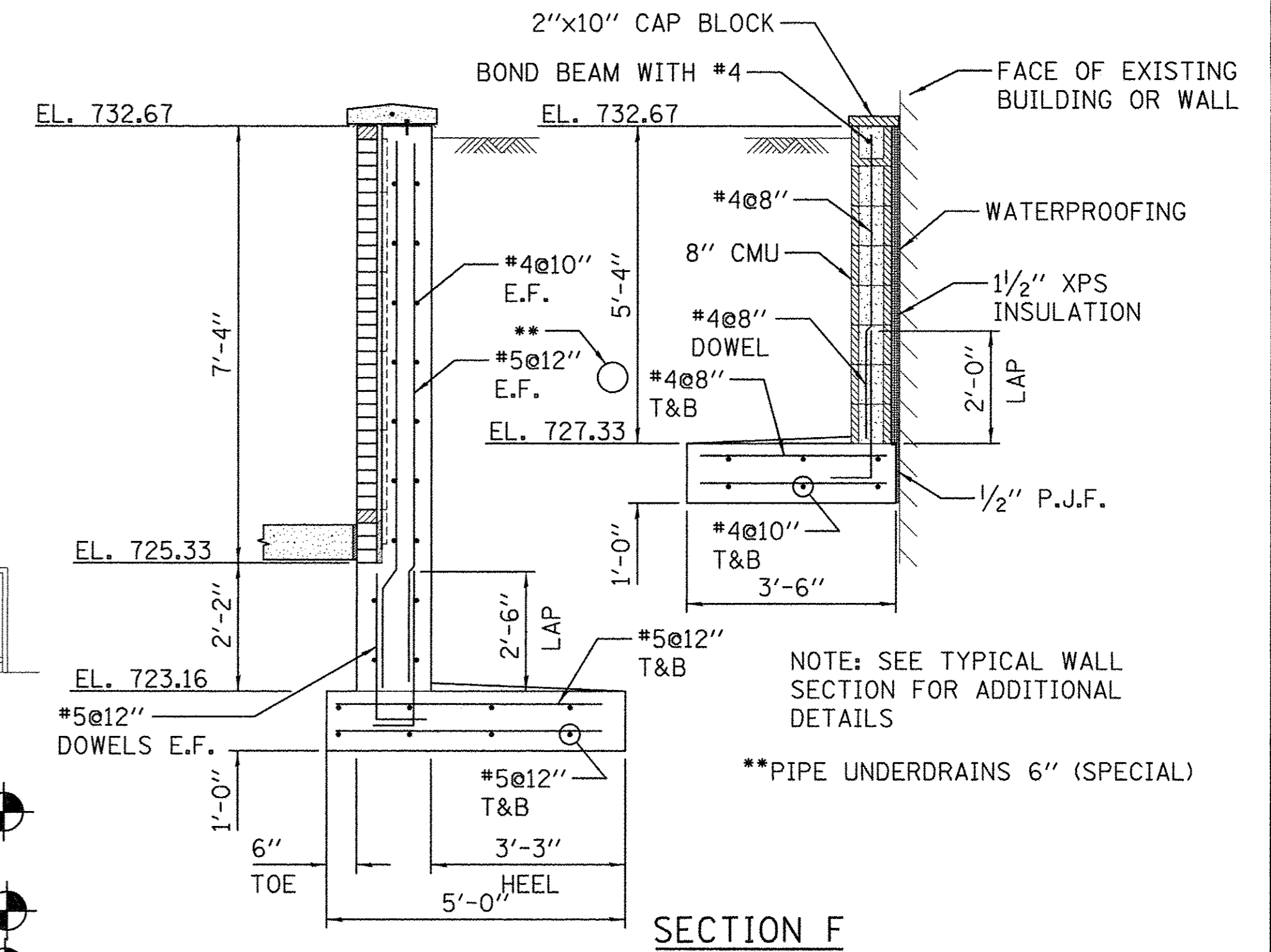
ELEVATION
(LOOKING SOUTH, 1:1 H:V)

NOTE

FOR SECTIONS A AND G, TYPICAL WALL SECTION, HOSE PIPE DETAIL AND NOTES SEE PLANTER WALL DETAIL SHEET.



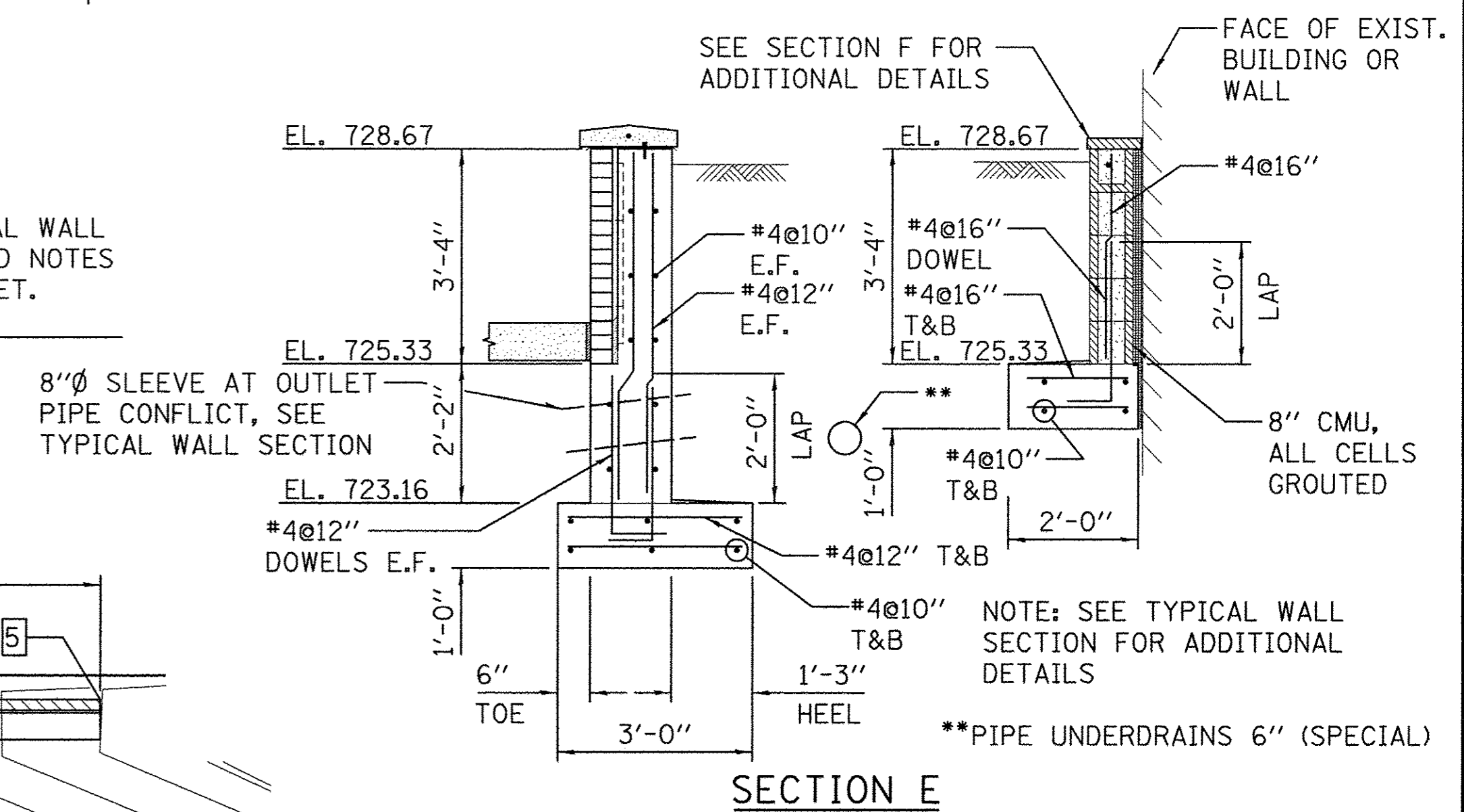
PLAN



SECTION F

NOTE: SEE TYPICAL WALL SECTION FOR ADDITIONAL DETAILS

**PIPE UNDERDRAINS 6" (SPECIAL)



SECTION E

NOTE: SEE TYPICAL WALL SECTION FOR ADDITIONAL DETAILS

**PIPE UNDERDRAINS 6" (SPECIAL)

BLOCK RETAINING WALL NOTES

- MASONRY WORK FOR THIS ITEM SHALL CONFORM TO ALL REQUIREMENTS OF ACI 530.1, SPECIFICATION FOR MASONRY STRUCTURES, PUBLISHED BY THE AMERICAN CONCRETE INSTITUTE (ACI), DETROIT, MICHIGAN, EXCEPT AS MODIFIED HEREIN.
- CONCRETE MASONRY UNITS SHALL BE IN ACCORDANCE WITH ASTM C90, GRADE N, TYPE I.
- MORTAR SHALL CONFORM TO ASTM C270, TYPE S MORTAR.
- COMPRESSIVE STRENGTH OF CONCRETE MASONRY (f'm) SHALL BE 1500 PSI MINIMUM.
- LAY CONCRETE MASONRY UNITS WITH FULL MORTAR COVERAGE ON HORIZONTAL AND VERTICAL FACE SHELLS AND WEBS.
- JOINT REINFORCEMENT SHALL BE MADE OF STAINLESS STEEL WIRE AND SHALL CONFORM TO ASTM A82. JOINT REINFORCEMENT SHALL BE 3/16" DIAMETER 2 WIRE TRUSS TYPE.
- JOINT REINFORCEMENT, TIES AND ANCHORS SHALL BE STAINLESS STEEL.
- JOINT REINFORCEMENT SHALL BE PLACED IN ALL MASONRY WALLS AND SPACED 16" O.C.
- ALL CELLS WITH REINFORCEMENT SHALL BE FULLY GROUTED. GROUT SHALL CONFORM TO ASTM C476 AND SHALL HAVE 28 DAY COMPRESSIVE STRENGTH OF 2000 PSI MINIMUM.



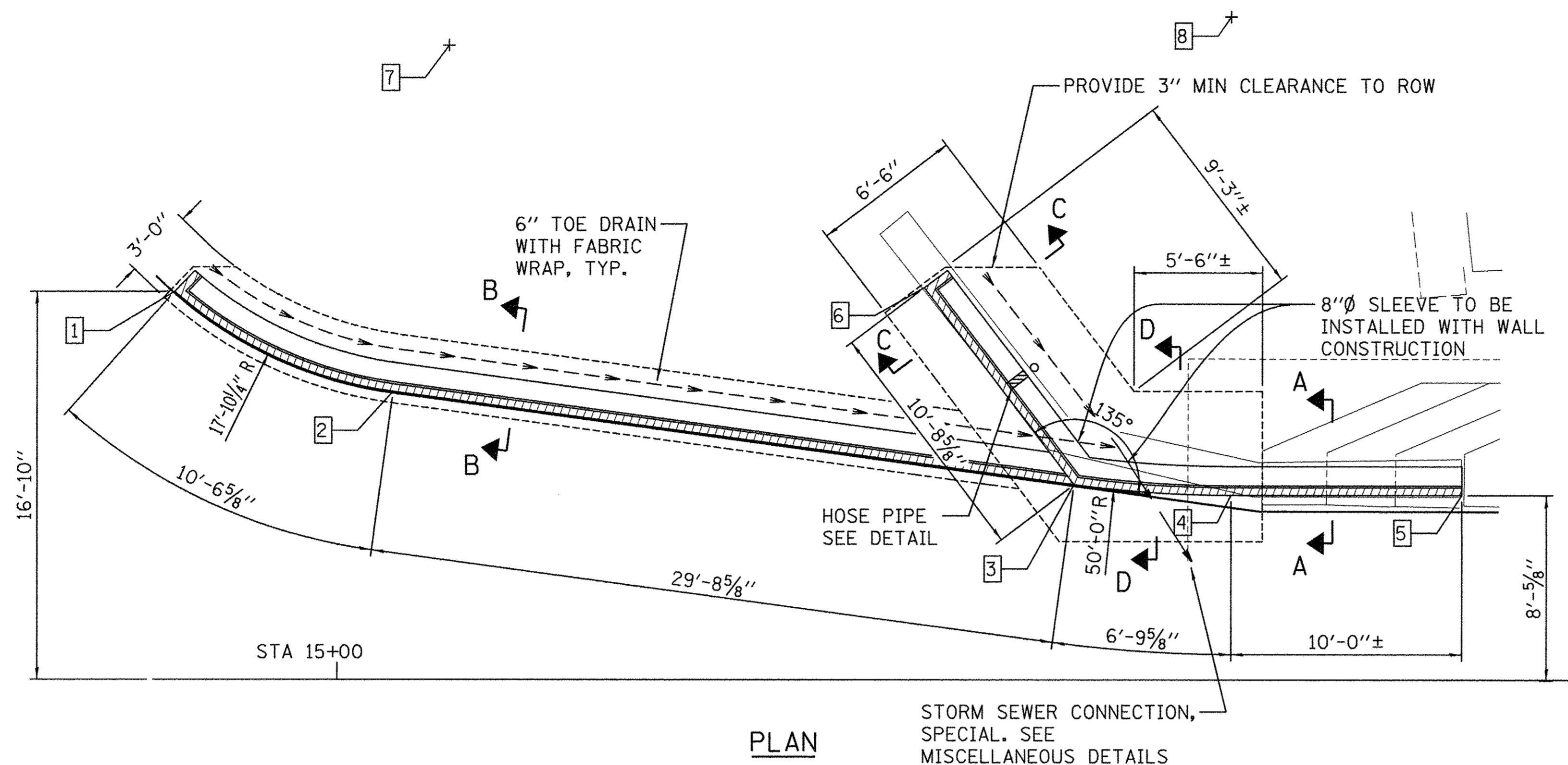
FILE NAME = \$FILES	DESIGNED - S.M.M.	REVISED -
PLOT DATE = 3/16/2016 \$TIMES	DRAWN - S.M.M.	REVISED -
	CHECKED - K.R.L.	REVISED -
	DATE - MARCH 2016	REVISED -

STATE OF ILLINOIS	SECTION	TOTAL SHEETS	SHEET NO.
DEPARTMENT OF TRANSPORTATION	15-00304-02-PV	412	258
	MCORE PROJECT 2	CONTRACT NO. 91540	
	JOB NO. C-95-306-16	ILLINOIS FED. AID PROJECT TIG-51810581	

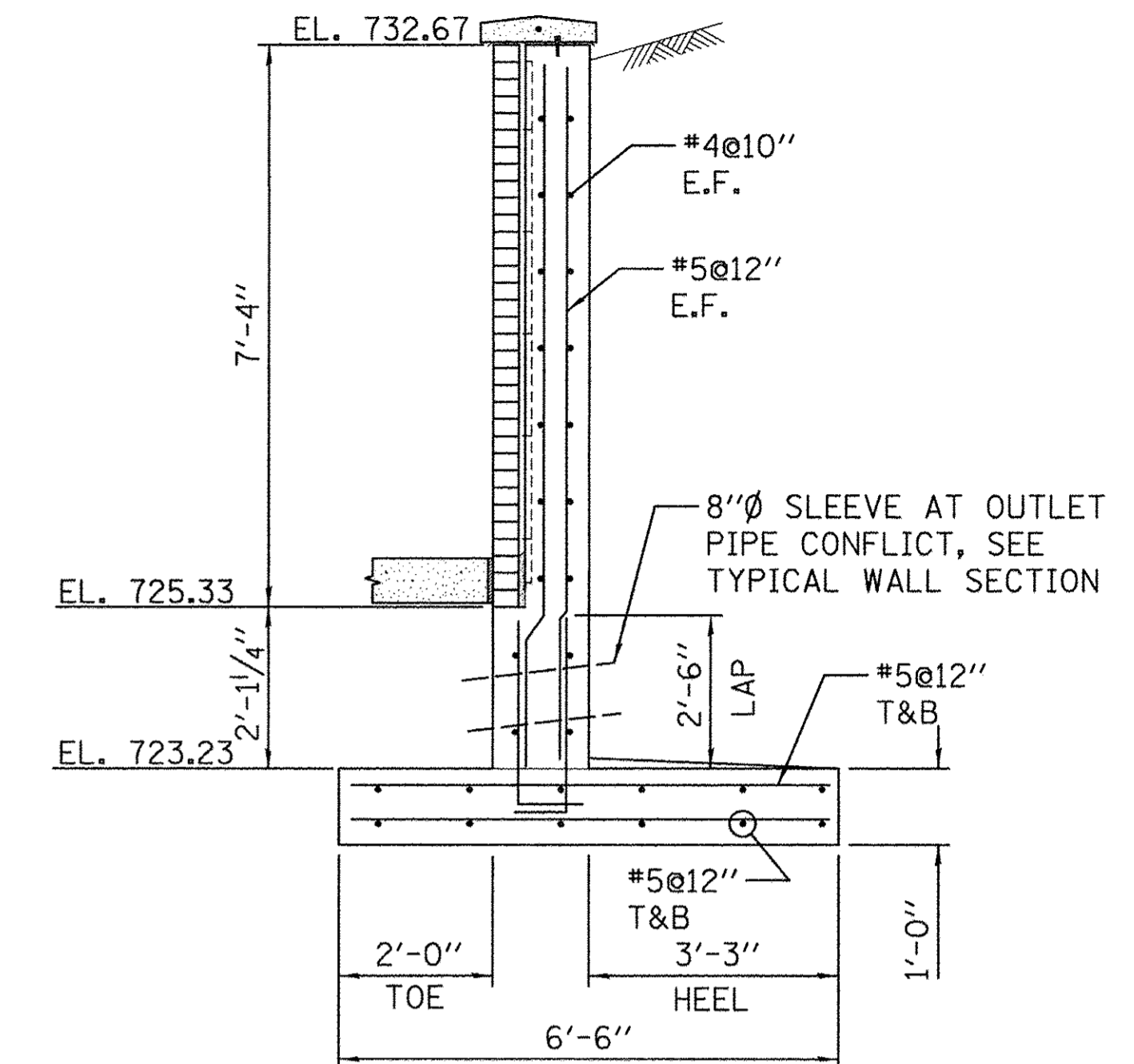
SCALE : NONE	SHEET NO. 258 OF 412 SHEETS	STA. TO STA.
--------------	-----------------------------	--------------

STRUCTURAL PLANS	
SOUTHWEST PLANTER WALLS	

F.A.U. RTE.	SECTION	COUNTY	TOTAL SHEETS	SHEET NO.
7126	15-00304-02-PV	CHAMPAIGN	412	258
MCORE PROJECT 2		CONTRACT NO. 91540		
JOB NO. C-95-306-16		ILLINOIS FED. AID PROJECT TIG-51810581		



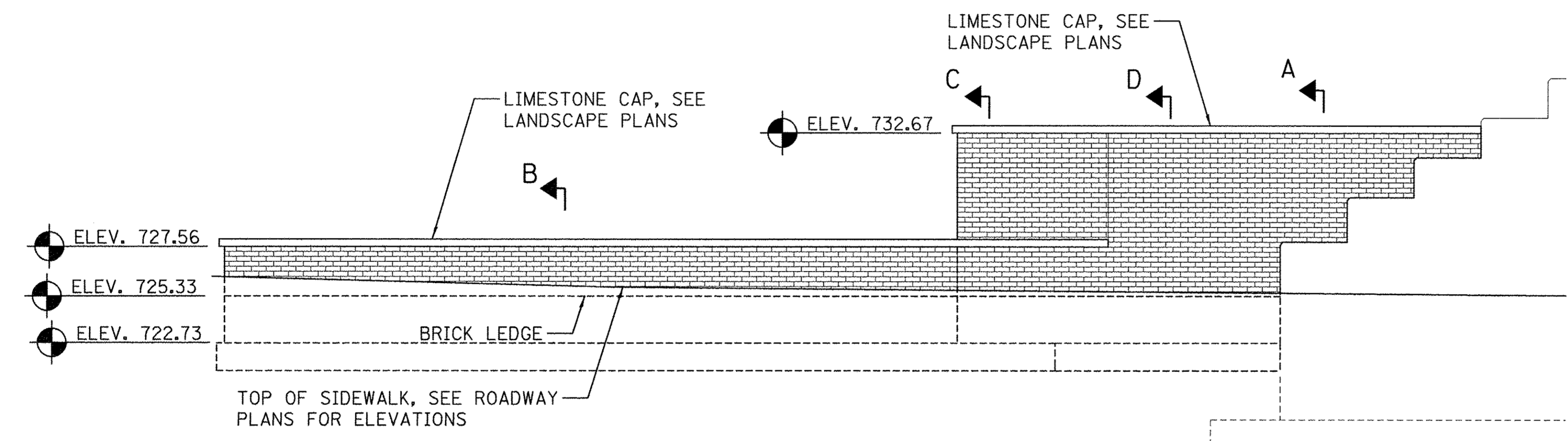
PLAN STORM SEWER CONNECTION, SPECIAL. SEE MISCELLANEOUS DETAILS



SECTION D

NOTE

FOR SECTION A, TYPICAL WALL SECTION, HOSE PIPE DETAIL, AND NOTES SEE PLANTER WALL DETAIL SHEET.



CONTROL POINTS

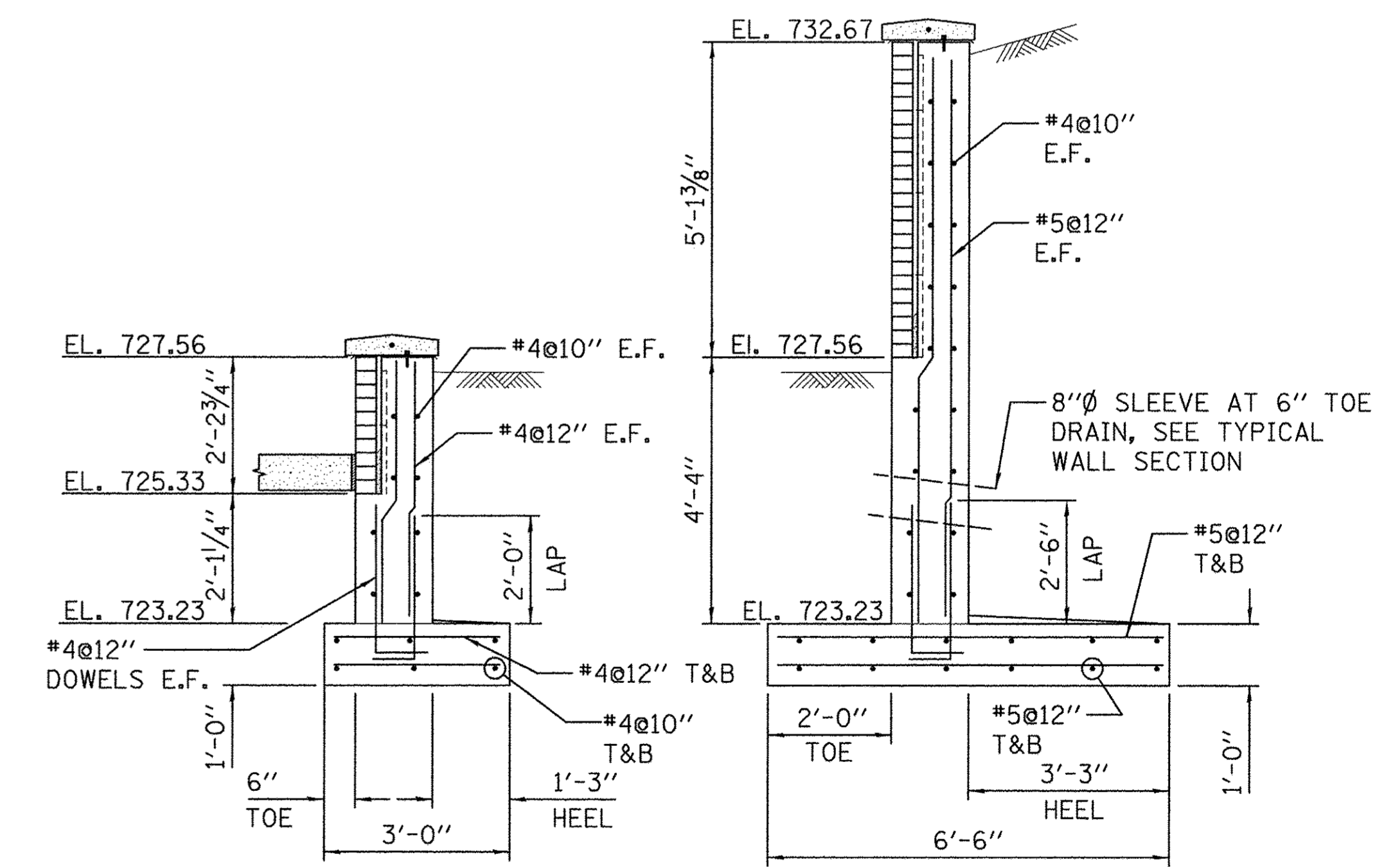
NO.	DESCRIPTION	STATION	OFFSET
1	START RADIUS	14+92.97	31.41 LT
2	END RADIUS	15+02.04	27.07 LT
3	CORNER, START RADIUS	15+31.86	23.06 LT
4	END RADIUS	15+38.64	22.59 LT
5	END WALL	15+48.63	22.59 LT
6	CORNER UPPER WALL	15+25.38	31.59 LT
7	CENTER WEST RADIUS	15+04.83	44.76 LT
8	CENTER EAST RADIUS	15+38.64	72.59 LT

CONTROL POINTS 1 THRU 6 ARE AT FRONT FACE OF BRICK AND BRICK LEDGE.
 *LOCATION IS APPROXIMATELY WHERE PROPOSED WALL BUTTS INTO EXISTING ABUTMENT.

ELEVATION (LOOKING NORTH, 1:1 H:V)

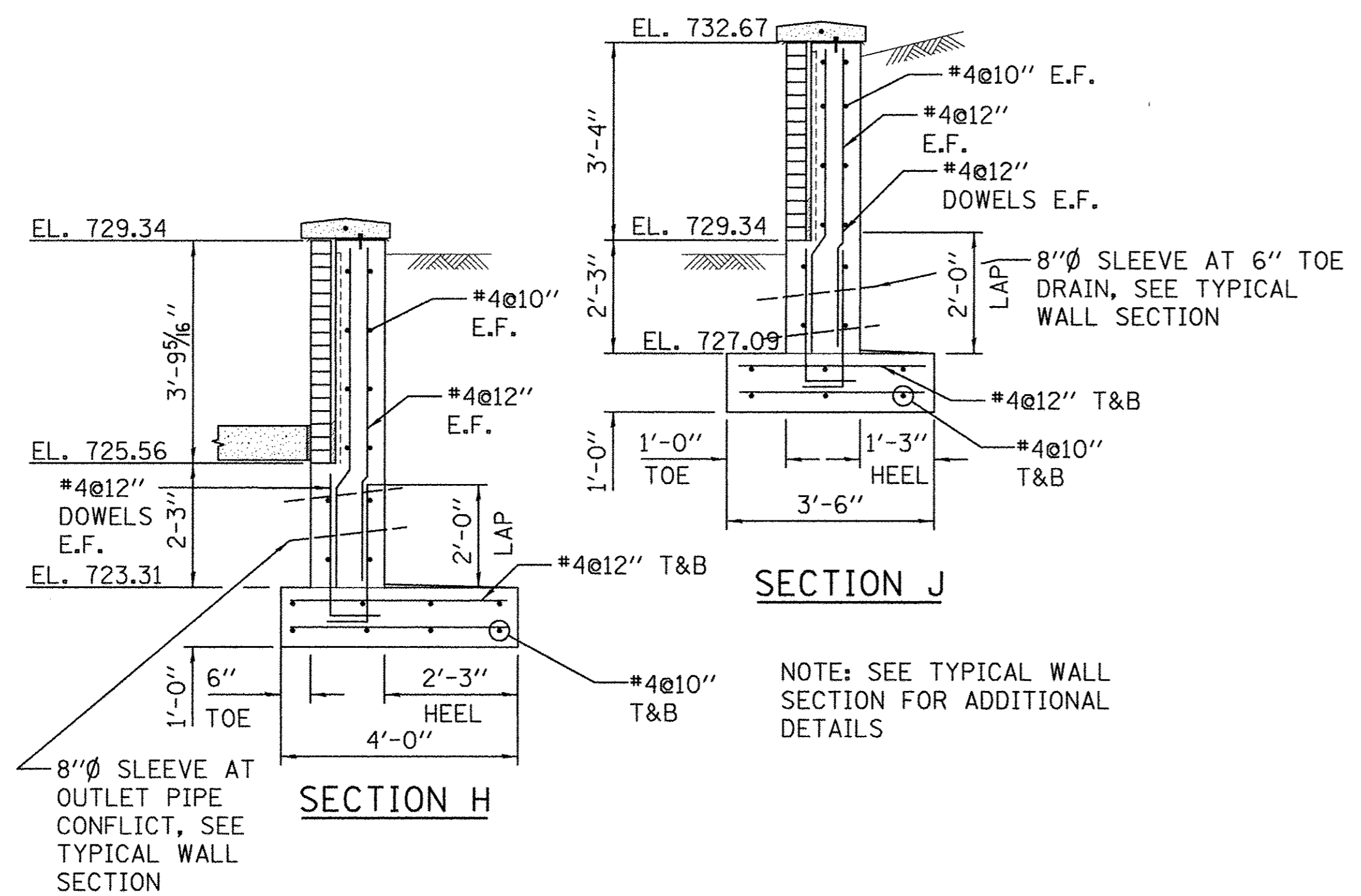
BILL OF MATERIAL

ITEM	UNIT	QUANTITY
STRUCTURE EXCAVATION (SPECIAL)	CU YD	28
CONCRETE STRUCTURES (SPECIAL)	CU YD	21.9
STORM SEWER CONNECTION, SPECIAL	EACH	1
BRICK FACADE	SQ FT	242
LIMESTONE CAP	FOOT	69



SECTION B

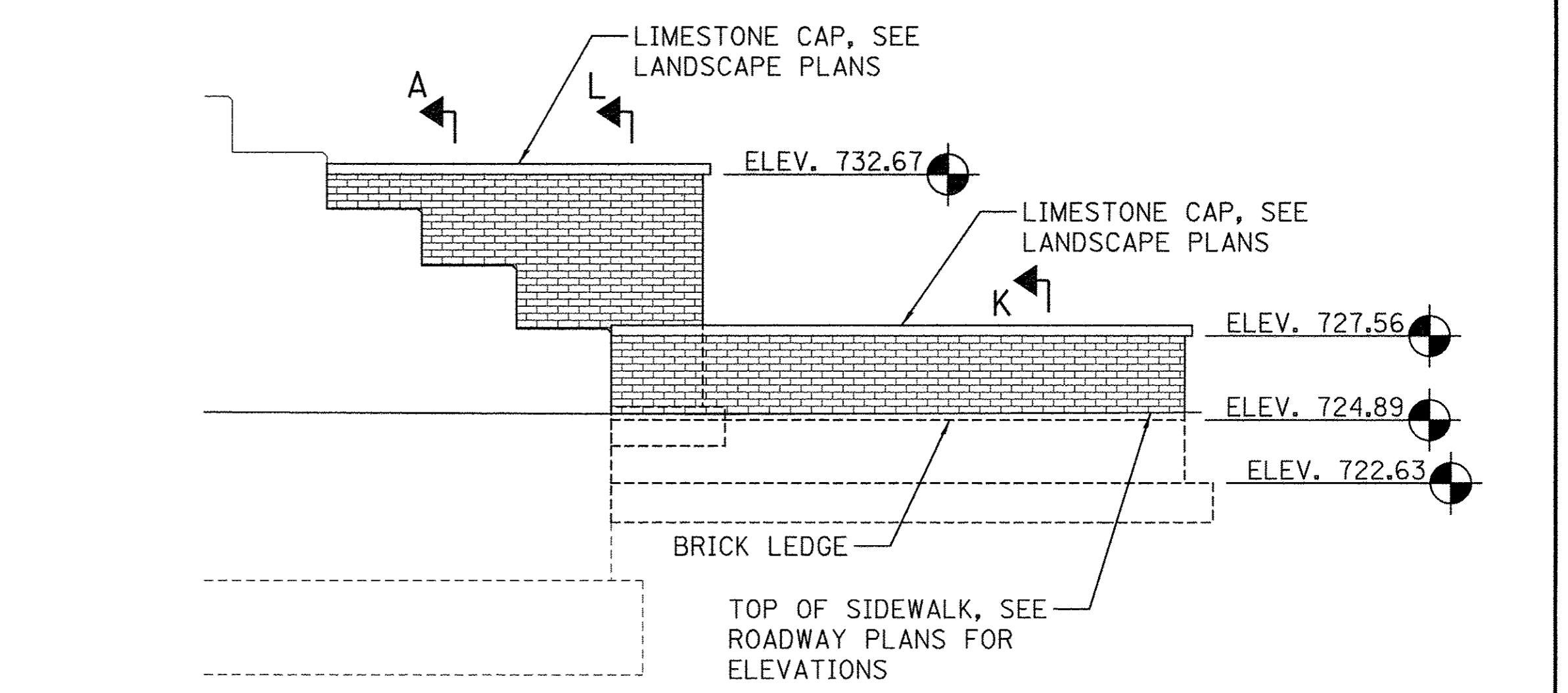
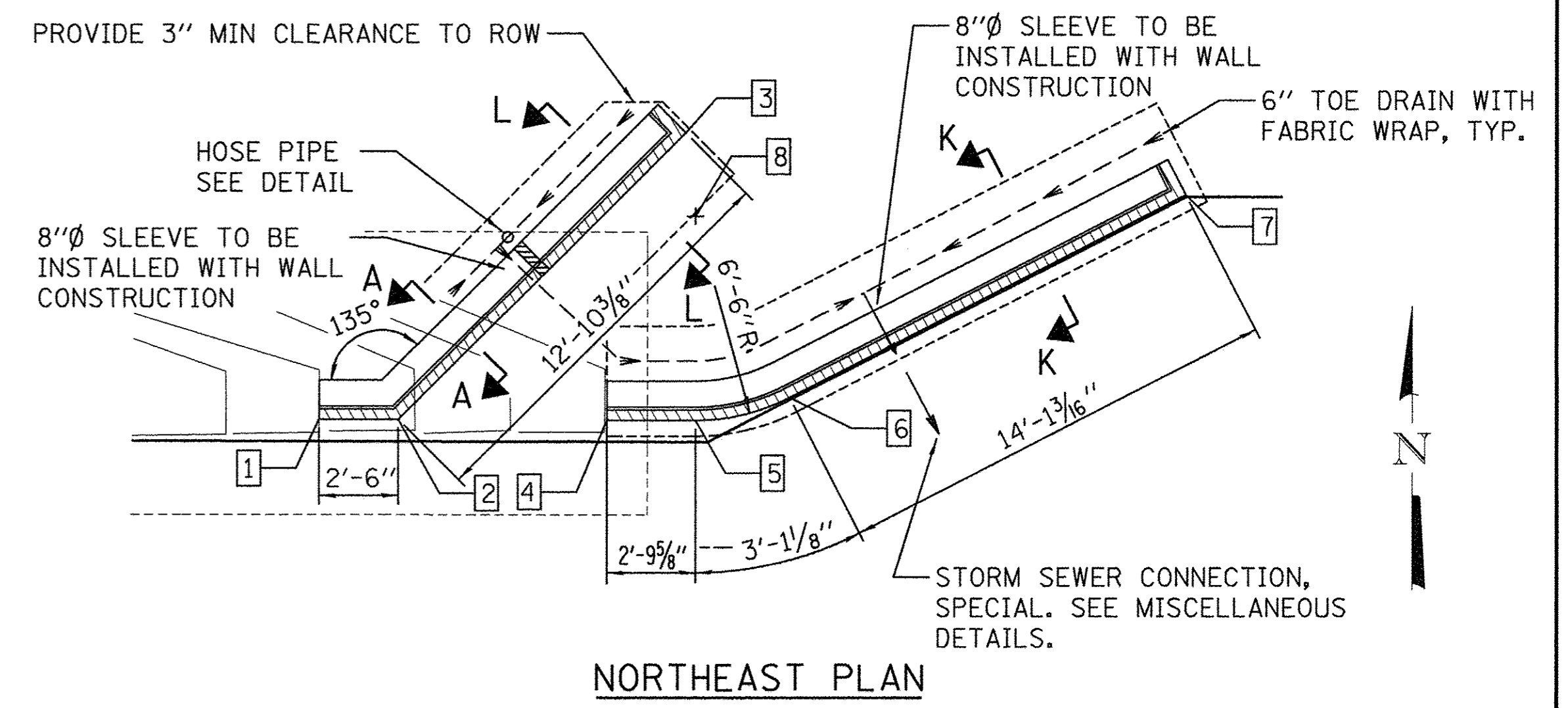
SECTION C



CONTROL POINTS

NO.	DESCRIPTION	STATION	OFFSET
*1	START UPPER WALL	16+35.02	22.40 LT
2	CORNER UPPER WALL	16+37.53	22.40 LT
3	END UPPER WALL	16+46.62	31.50 LT
*4	START LOWER WALL	16+44.13	22.36 LT
5	START RADIUS LOWER WALL	16+46.93	22.36 LT
6	END RADIUS LOWER WALL	16+49.91	23.08 LT
7	END LOWER WALL	16+62.44	29.54 LT
8	CENTER RADIUS LOWER WALL	16+46.93	28.86 LT
*9	START UPPER WALL	16+27.55	23.16 LT
10	CORNER UPPER WALL	16+28.72	23.16 LT
11	END UPPER WALL	16+37.09	31.53 LT
*12	START LOWER WALL	16+33.57	22.97 LT
13	START RADIUS LOWER WALL	16+37.52	22.97 LT
14	END RADIUS LOWER WALL	16+39.58	23.31 LT
15	START RADIUS LOWER WALL	16+54.03	28.22 LT
*16	END RADIUS LOWER WALL	16+58.46	32.47 LT
17	CENTER WEST RADIUS	16+37.52	29.47 LT
18	CENTER EAST RADIUS	16+52.25	34.39 LT

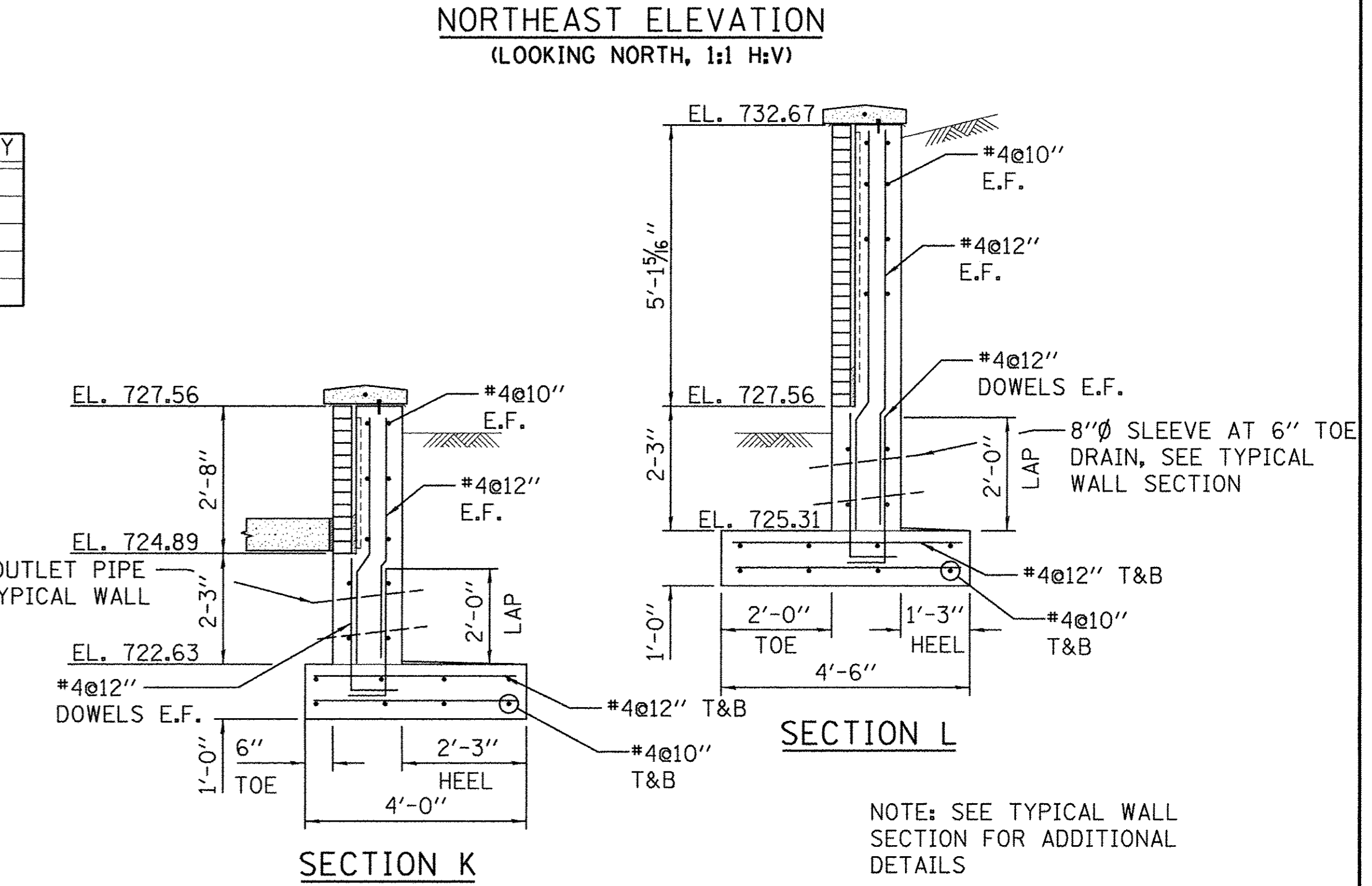
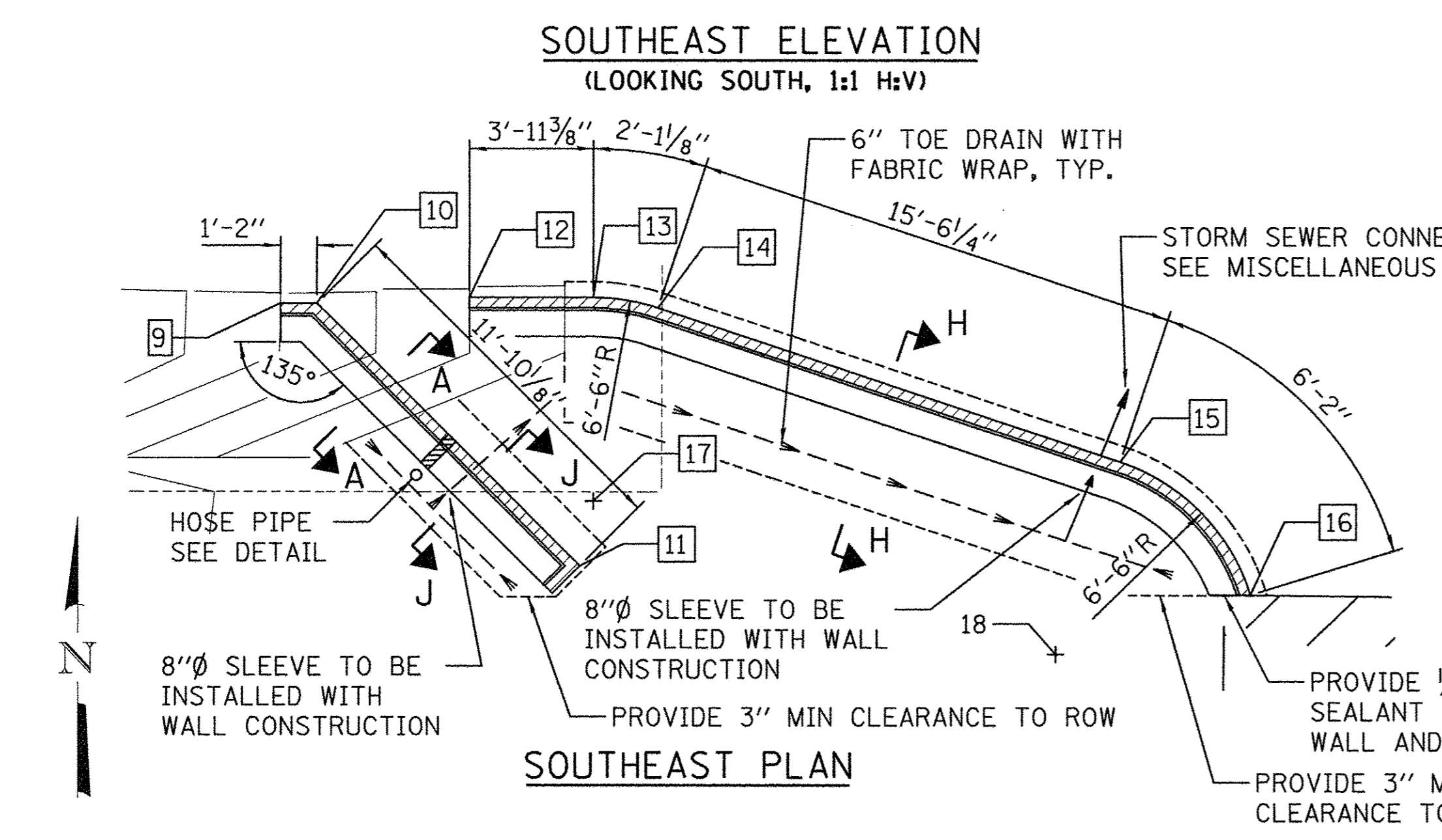
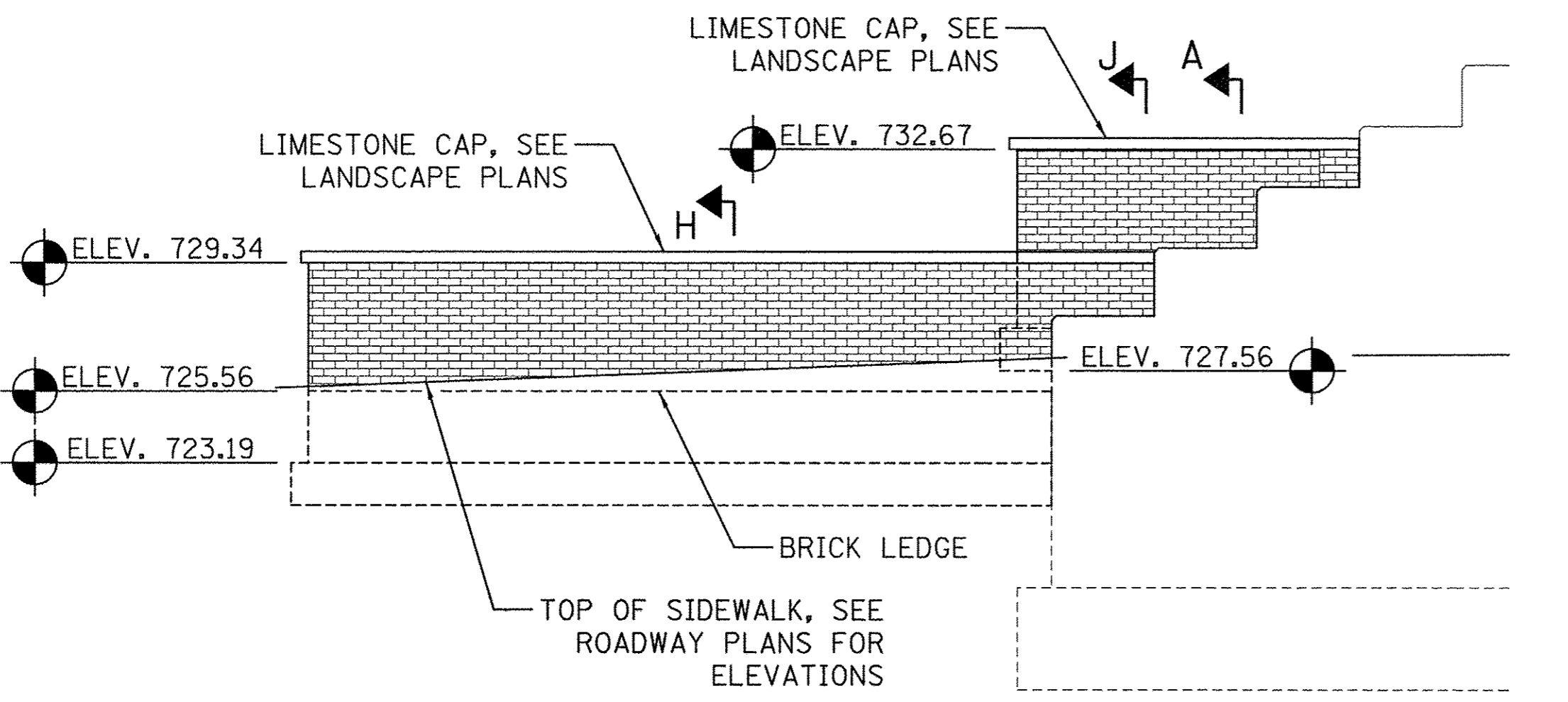
CONTROL POINTS 1 THRU 6 ARE AT FRONT FACE OF BRICK AND BRICK LEDGE.
 *LOCATION IS APPROXIMATELY WHERE PROPOSED WALL BUTTS INTO EXISTING ABUTMENT OR WALL.

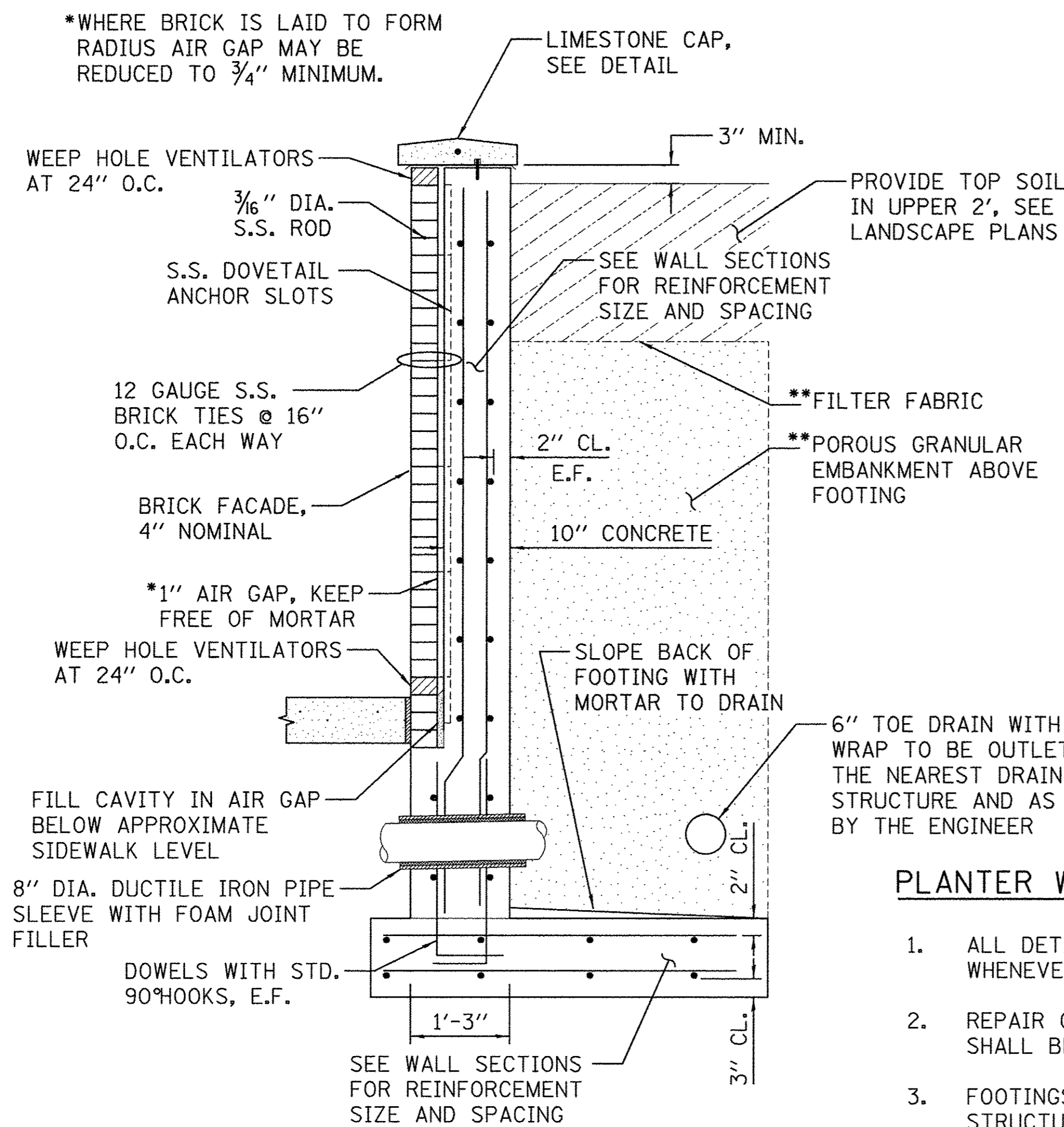


NOTE
 FOR SECTION A, TYPICAL WALL SECTION, HOSE PIPE DETAIL, AND NOTES SEE PLANTER WALL DEAIL SHEET.

BILL OF MATERIAL

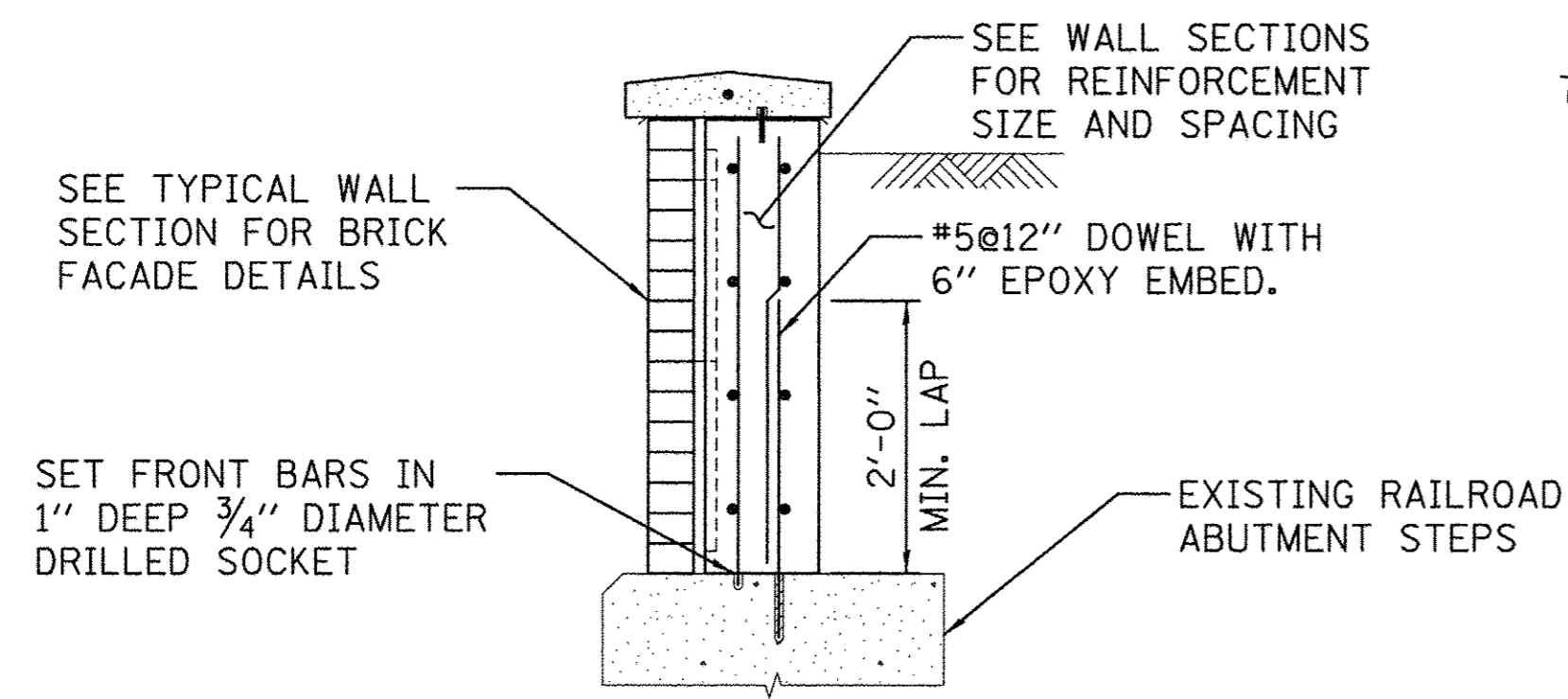
ITEM	UNIT	QUANTITY
STRUCTURE EXCAVATION (SPECIAL)	CU YD	85
CONCRETE STRUCTURES (SPECIAL)	CU YD	22.5
STORM SEWER CONNECTION, SPECIAL	EACH	2
BRICK FACADE	SQ FT	264
LIMESTONE CAP	FOOT	77



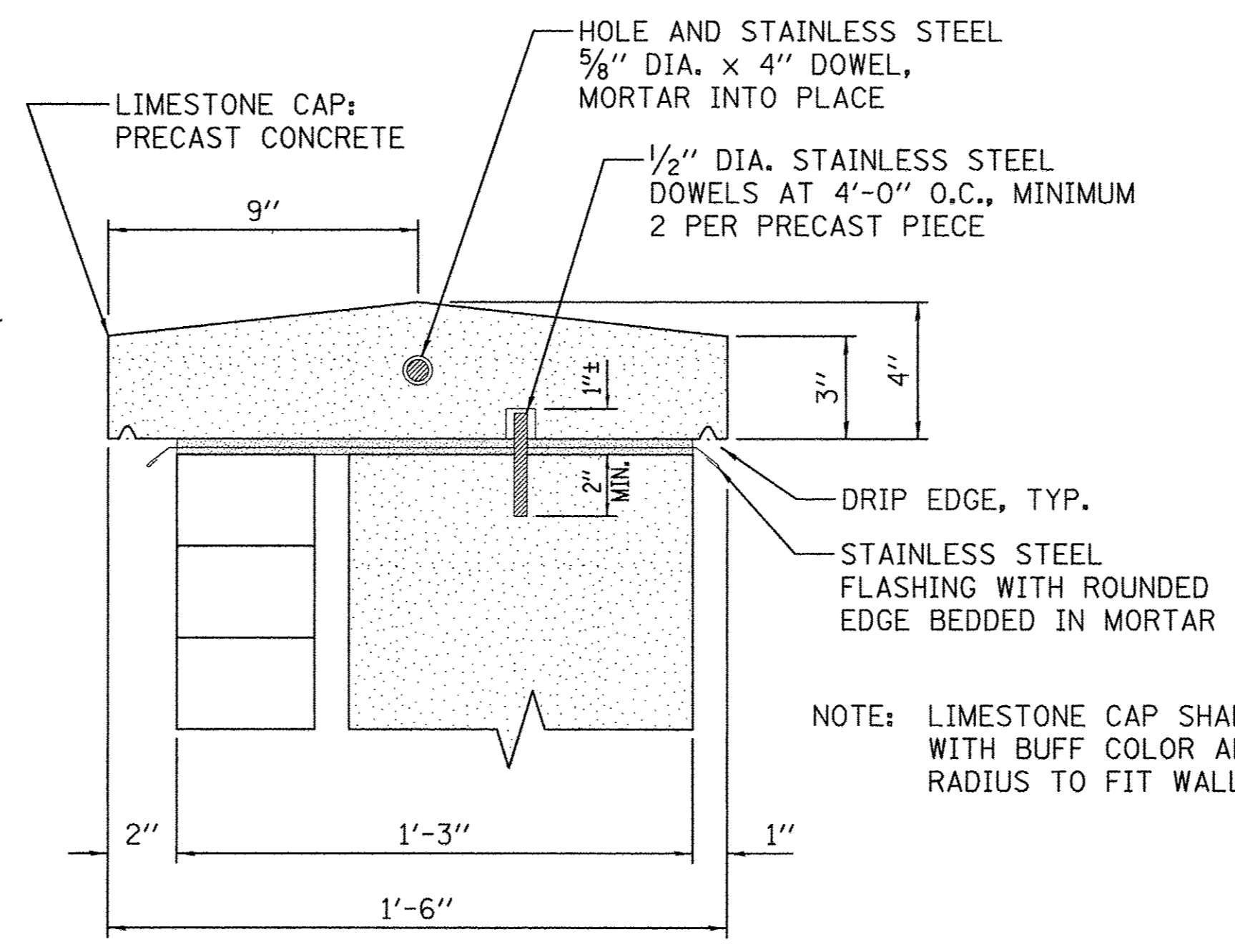


TYPICAL WALL SECTION

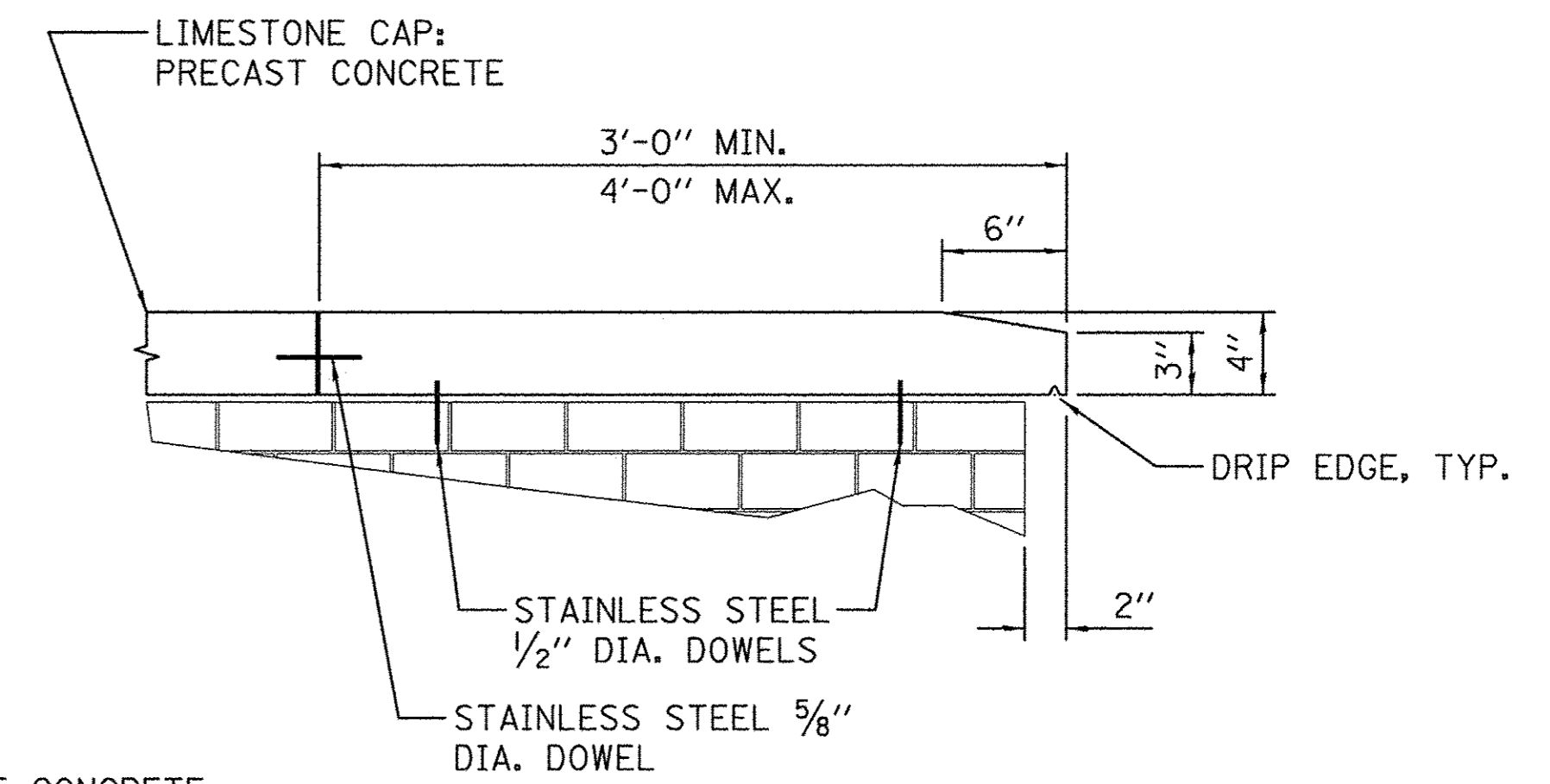
**THE COST TO FURNISH AND INSTALL POROUS GRANULAR EMBANKMENT AND FILTER FABRIC WILL NOT BE PAID FOR SEPERATELY BUT SHALL BE INCLUDED IN THE COST OF STRUCTURE EXCAVATION (SPECIAL)



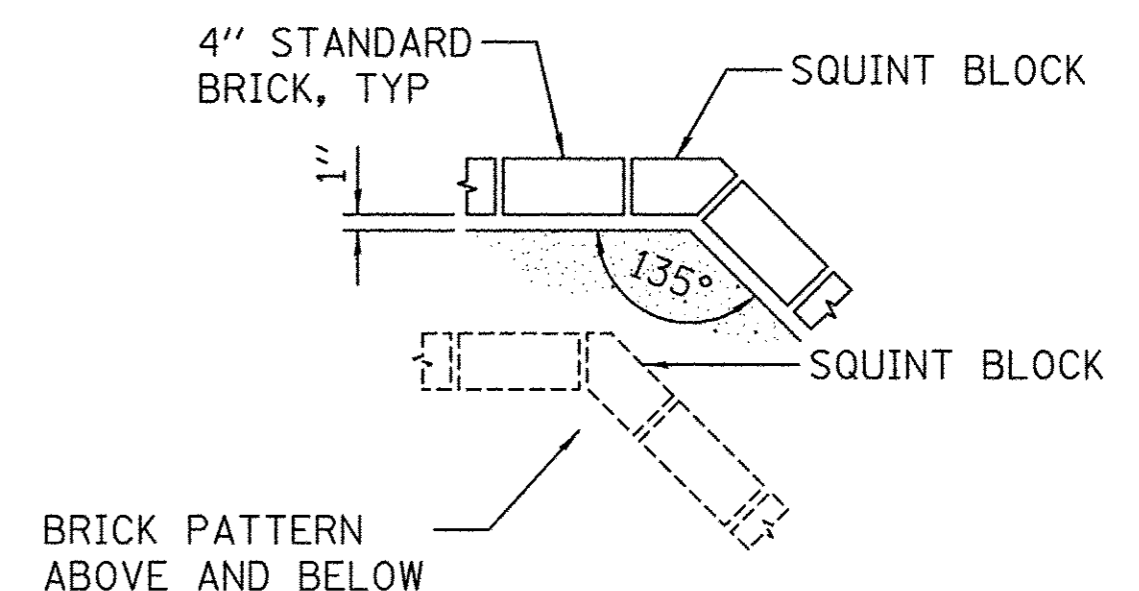
SECTION A



LIMESTONE CAP DETAIL



LIMESTONE CAP END DETAIL

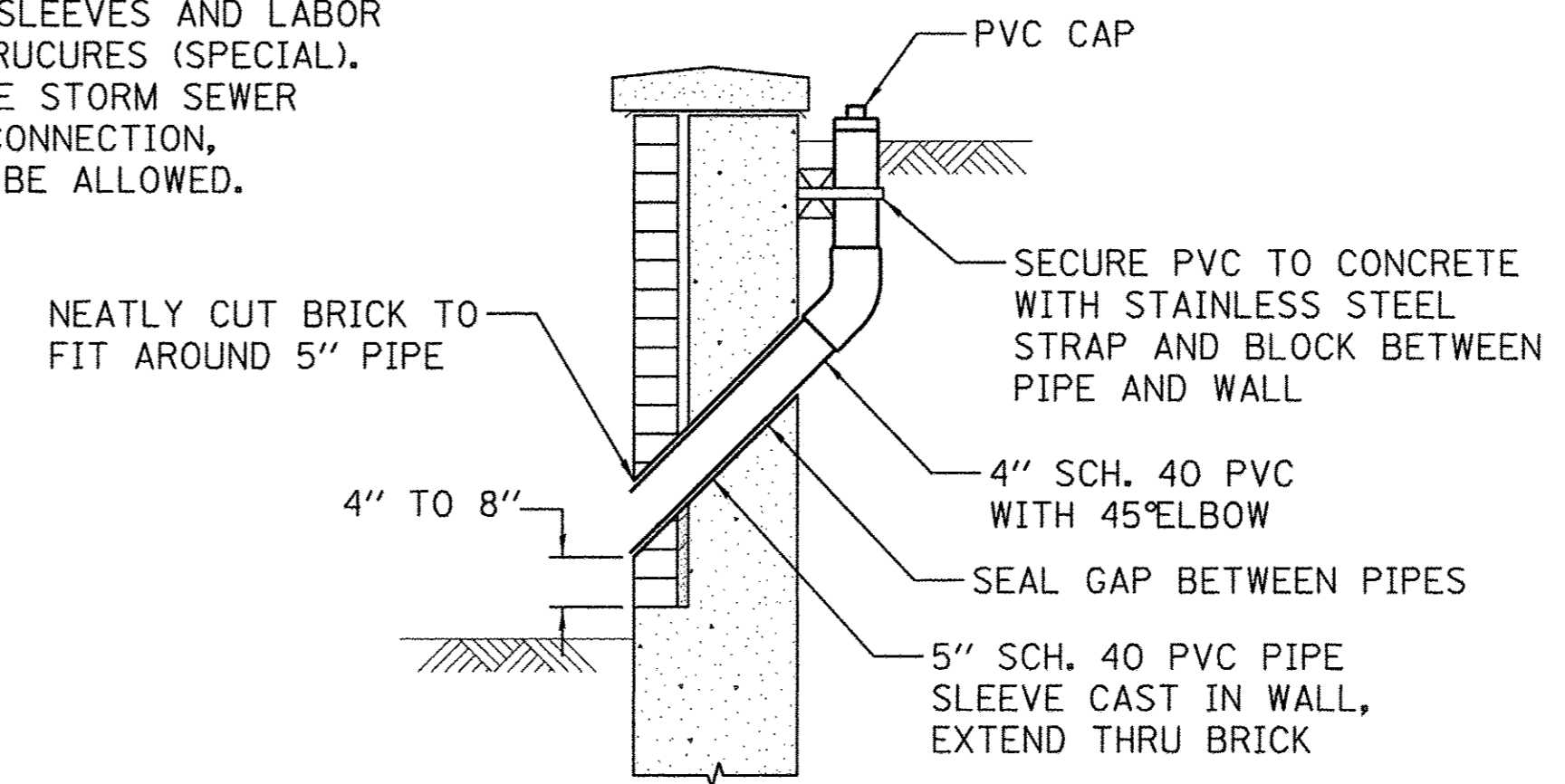


BRICK CORNER DETAIL

NOTE: AT ALL 135° CORNERS

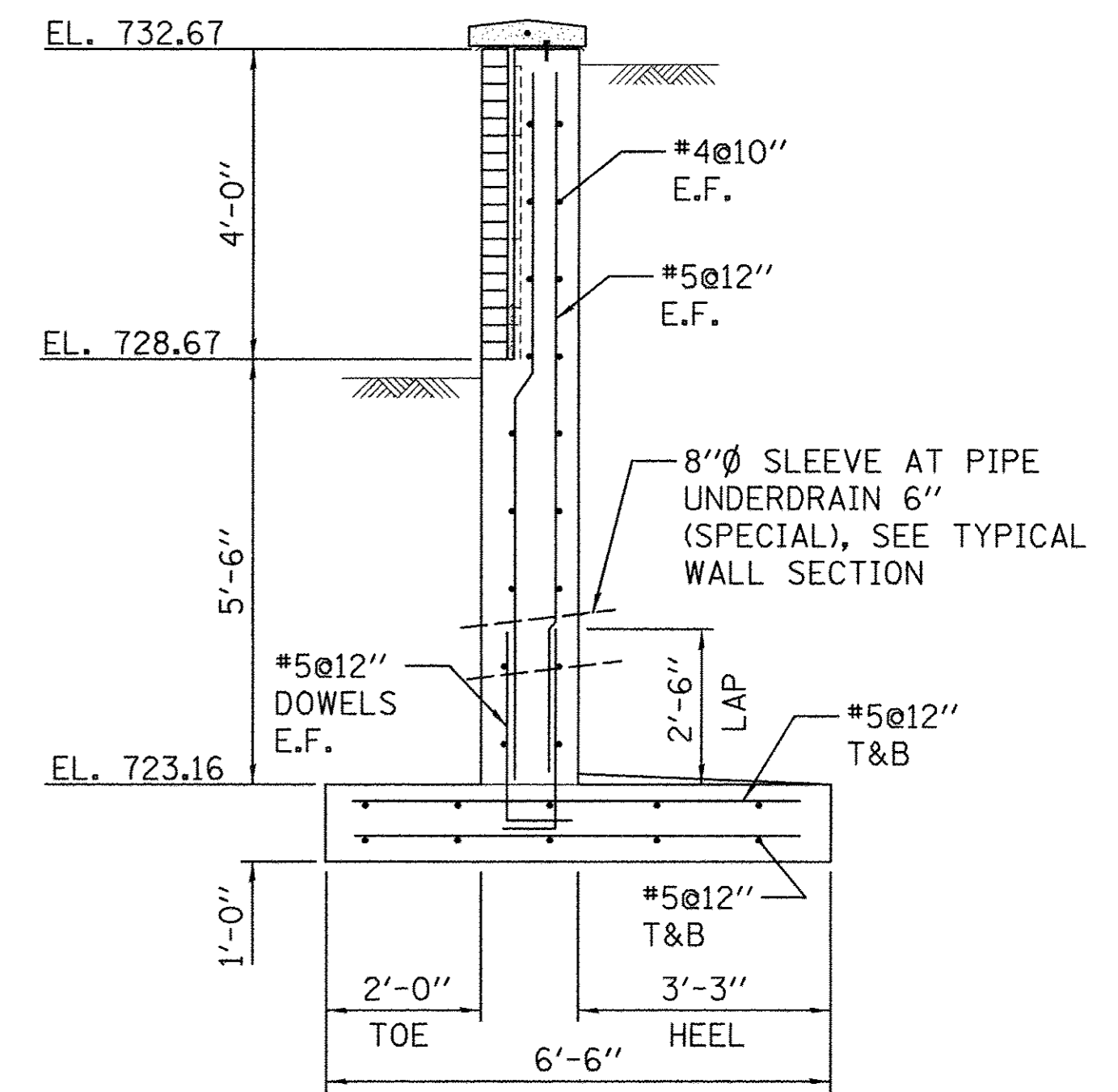
PLANTER WALL NOTES

1. ALL DETAILS AND SECTIONS SHOWN ARE TYPICAL AND SHALL BE USED WHENEVER A SIMILAR CONDITION OCCURS UNLESS NOTED OTHERWISE.
2. REPAIR OF CONCRETE ABUTMENTS OF EXISTING RAILROAD BRIDGE SHALL BE COMPLETE PRIOR TO BUILDING OF PLANTAR WALLS.
3. FOOTINGS FOR PLANTER WALLS SHALL BE PAID FOR AS CONCRETE STRUCTURES, SPECIAL.
4. MINIMUM NET REQUIRED ALLOWABLE BEARING CAPACITY IS 2500 PSF.
5. BUILD CONCRETE WALLS AND BRICK FACADE ON RADIUS WHERE INDICATED. LAY STRAIGHT BRICK SEGMENTALLY TO FORM RADIUS.
6. SEE SPECIAL PROVISIONS FOR CONCRETE STRUCTURES (SPECIAL), CONCRETE RETAINING WALL, BRICK FACADE, AND BLOCK WALLS.
7. 6" TOE DRAINS WITH FABRIC WRAP SHALL BE CONSIDERED INCIDENTAL TO THE WALL CONSTRUCTION. ALL PIPE, FITTINGS, SLEEVES AND LABOR SHALL BE INCLUDED IN THE COST OF CONCRETE STRUCURES (SPECIAL). THE PVC PIPE RUN FROM THE 6" TOE DRAIN TO THE STORM SEWER STRUCTURE SHALL BE PAID FOR AS STORM SEWER CONNECTION, SPECIAL AND NO ADDITIONAL COMPENSATION SHALL BE ALLOWED.



HOSE PIPE DETAIL

NOTE:
THE COST TO FURNISH AND INSTALL HOSE PIPES WILL NOT BE PAID FOR SEPERATELY BUT SHALL BE INCLUDED IN THE COST OF CONCRETE STRUCTURES (SPECIAL)

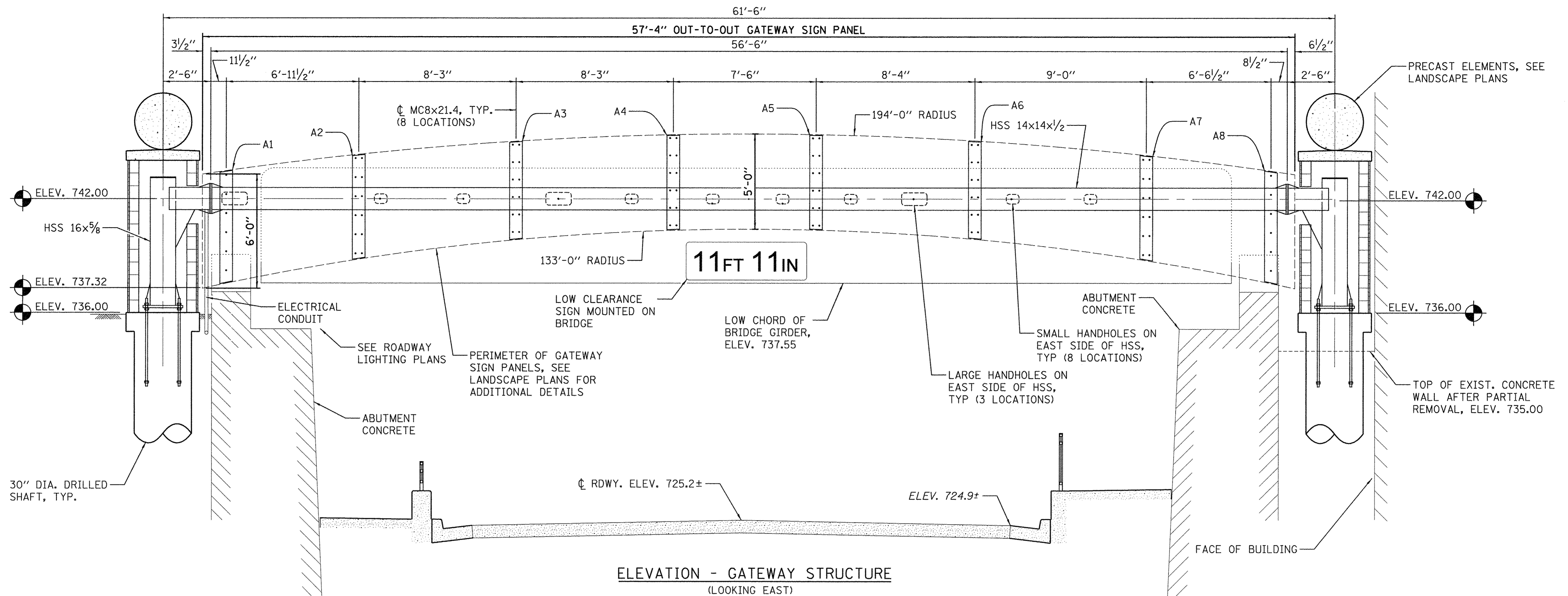


SECTION G

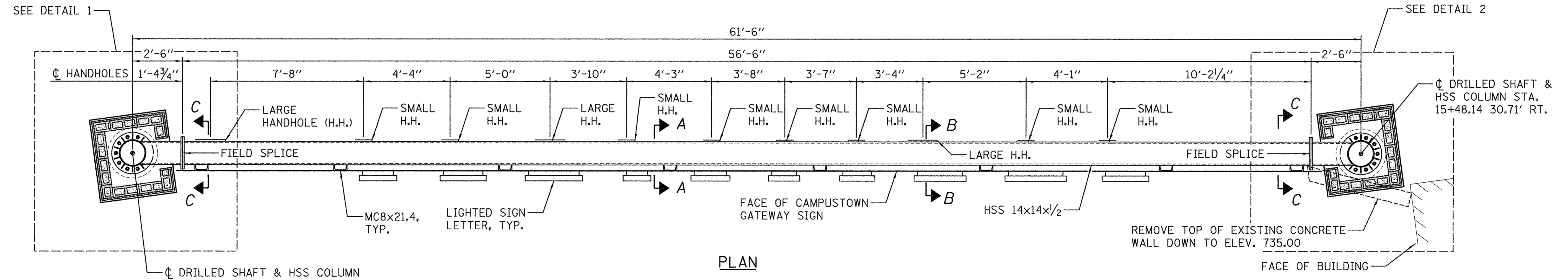
NOTE: SEE TYPICAL WALL SECTION FOR ADDITIONAL DETAILS



FILE NAME = \$FILES	DESIGNED - S.M.M.	REVISED -	STATE OF ILLINOIS DEPARTMENT OF TRANSPORTATION	STRUCTURAL PLANS PLANTER WALL SECTIONS AND DETAILS		F.A.U. RTE. 7126	SECTION 15-00304-02-PV	COUNTY CHAMPAIGN	TOTAL SHEETS 412	SHEET NO. 261
PLOT DATE = 3/16/2016 \$TIMES	DRAWN - S.M.M.	REVISED -		SCALE : NONE	SHEET NO. 261 OF 412 SHEETS	STA. TO STA.	MCORE PROJECT 2		CONTRACT NO. 91540	
	CHECKED - K.R.L.	REVISED -					JOB NO. C-95-306-16		ILLINOIS FED. AID PROJECT TIG-5181(05B)	
	DATE - MARCH 2016	REVISED -								



ELEVATION - GATEWAY STRUCTURE
(LOOKING EAST)



PLAN

GATEWAY MONUMENT SIGN COMPLETE

THE COST FOR ALL WORK AS SHOWN FOR THE CAMPUSTOWN GATEWAY IS INCLUDED IN GATEWAY MONUMENT SIGN COMPLETE. THE WORK INCLUDES BUT IS NOT LIMITED TO SHOP DRAWING PREPARATION, FIELD MEASUREMENTS, DRILLED SHAFT FOUNDATIONS, MASONRY, STRUCTURAL STEEL, DECORATIVE ELEMENTS, LETTERING, LIGHTING, ELECTRICAL, CONTROLLERS, AND PROGRAMMING. SEE LANDSCAPE AND ELECTRICAL PLANS FOR ADDITIONAL REQUIREMENTS.

DESIGN LOADS

WIND = 35*/SQ. FT. ON PROJECTED AREA
DEAD = STRUCTURE WEIGHT + 10%
SIGN = 200*/FT. MAXIMUM
TEMPERATURE = ±80°

DESIGN STRESSES

FIELD UNITS
f'c = 3,500 PSI
fy = 60,000 PSI (REINFORCEMENT)
fy = 36,000 PSI (ASTM A36)
fy = 50,000 PSI (ASTM A992)
fy = 42,000 PSI (ASTM A500 GR. B)

DESIGN SPECIFICATIONS

2012 INTERNATIONAL BUILDING CODE
AASHTO LRFD BRIDGE DESIGN SPECIFICATIONS, 7TH EDITION



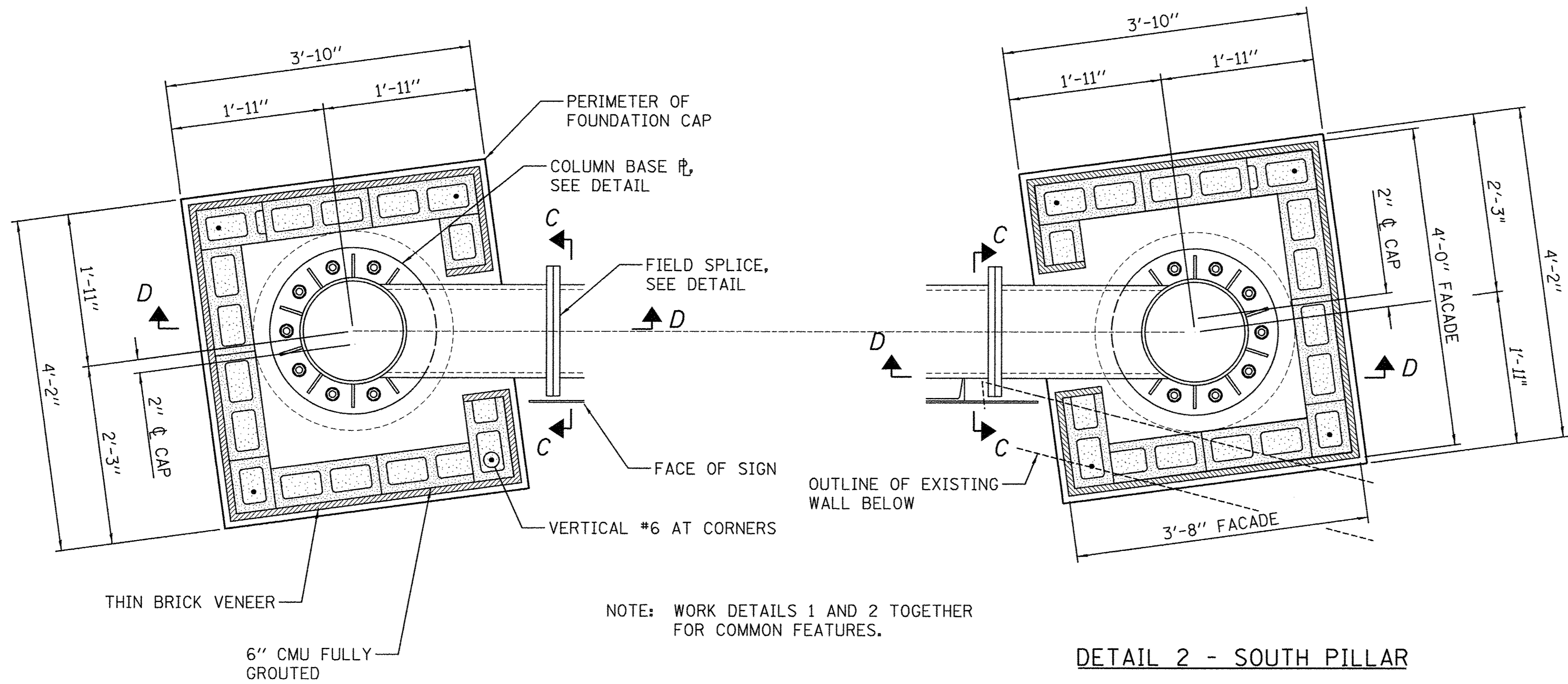
FILE NAME =	DESIGNED - S.M.M.	REVISED -
\$FILES	DRAWN - S.M.M.	REVISED -
PLOT DATE =	CHECKED - K.R.L.	REVISED -
3/16/2016 \$TIMES	DATE - MARCH 2016	REVISED -

DESIGNED - S.M.M.	REVISED -
DRAWN - S.M.M.	REVISED -
CHECKED - K.R.L.	REVISED -
DATE - MARCH 2016	REVISED -

STATE OF ILLINOIS
DEPARTMENT OF TRANSPORTATION

STRUCTURAL PLANS
CAMPUSTOWN GATEWAY PLAN AND ELEVATION
SCALE : 3/8"=1' SHEET NO. 262 OF 412 SHEETS STA. TO STA.

F.A.U. RTE.	SECTION	COUNTY	TOTAL SHEETS	SHEET NO.
7126	15-00304-02-PV	CHAMPAIGN	412	262
MCORE PROJECT 2			CONTRACT NO. 91540	
JOB NO. C-95-306-16 ILLINOIS FED. AID PROJECT TIG-5181(05B)				

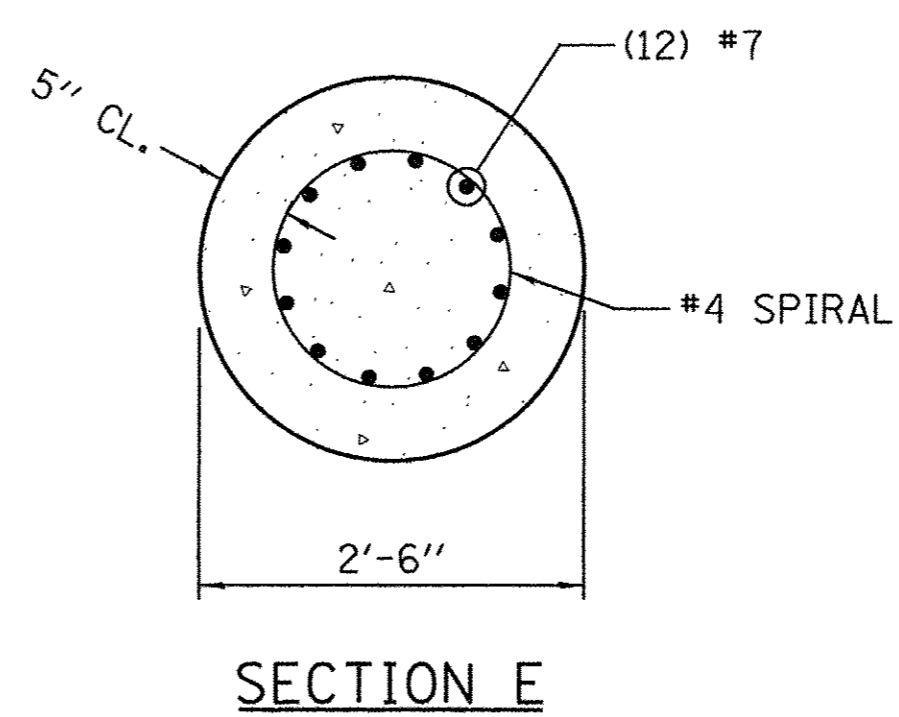


DETAIL 1 - NORTH PILLAR

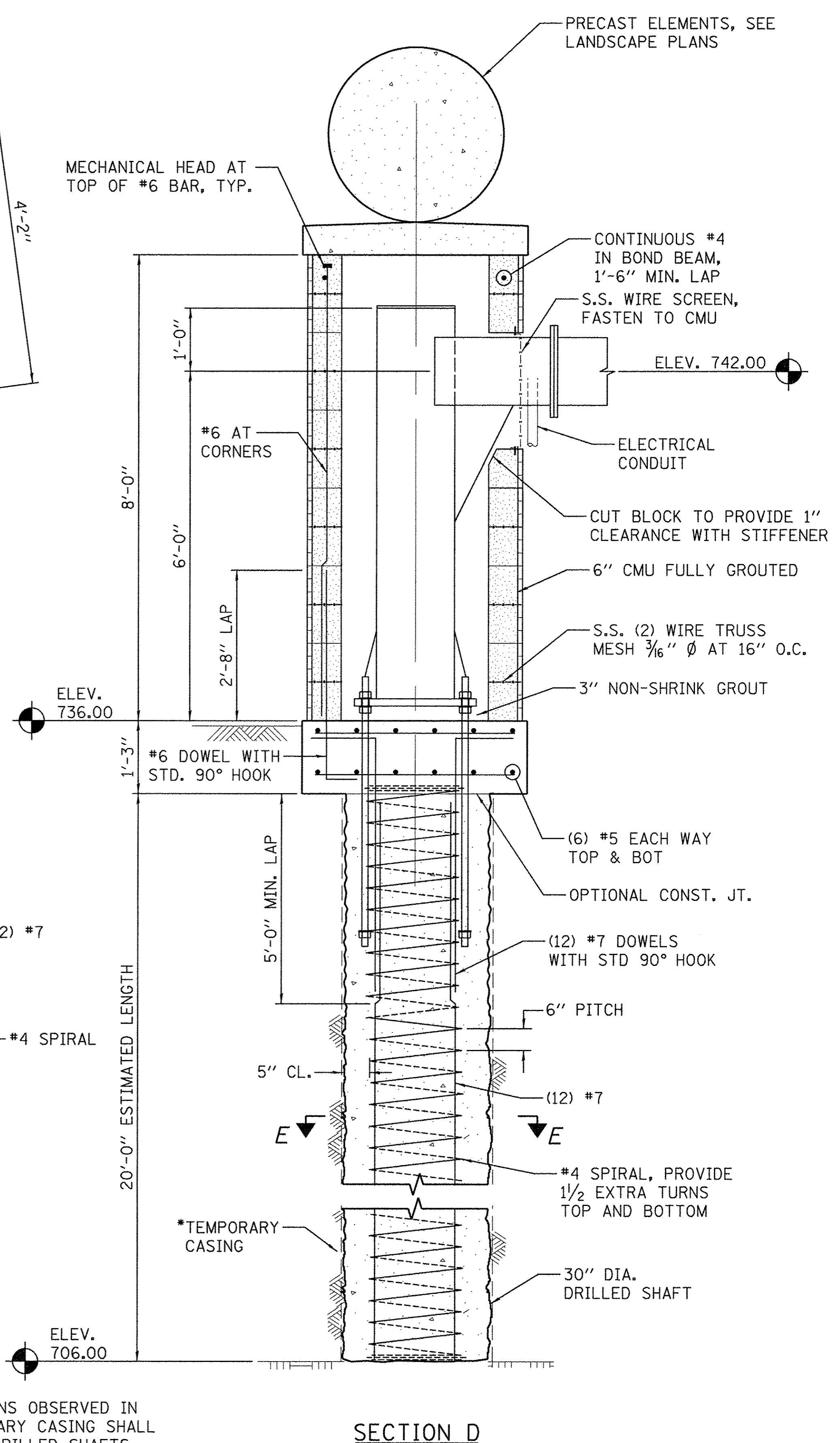
DETAIL 2 - SOUTH PILLAR

CAMPUSTOWN GATEWAY - STRUCTURAL NOTES

- THIS WORK SHALL CONFORM TO THE "STANDARD SPECIFICATIONS" AND THE SPECIAL PROVISION FOR GATEWAY MONUMENT SIGN COMPLETE.
- THE SEQUENCE OF THE CONSTRUCTED WORK SHALL BE THAT THE CONCRETE DRILLED SHAFT, FOUNDATION CAP, AND STEEL COLUMNS SHALL BE ERECTED PRIOR TO FABRICATION OF THE CENTER HSS SECTION AND SIGN PANELS. AFTER ERECTION OF THE STEEL COLUMNS THE DISTANCE AND ALIGNMENT BETWEEN THE FIELD SPLICE LOCATIONS SHALL BE MADE AND THE SHOP DRAWINGS REVISED AS NECESSARY PRIOR TO FABRICATION. SEE SPECIFICATIONS FOR ADDITIONAL REQUIREMENTS..
- THE CENTER HSS SECTION INCLUDING THE MOUNTING ARMS, SIGN PANELS, LETTERS AND CONDUITS SHALL BE TEST FIT IN THE SHOP BY FULLY ASSEMBLING WITH ALL BOLTS INSERTED. SEE SPECIFICATIONS FOR ADDITIONAL REQUIREMENTS.
- THE ORGANIC ZINC RICH PRIMER / EPOXY / URETHANE PAINT SYSTEM SHALL BE USED FOR PAINTING NEW STRUCTURAL STEEL EXCEPT WHERE OTHERWISE NOTED. THE ENTIRE PAINT SYSTEM SHALL BE SHOP APPLIED EXCEPT FIELD INSTALLED FASTENERS AND DAMAGED AREAS SHALL BE TOUCHED UP IN THE FIELD. THE COLOR OF THE FINAL FINISH COAT FOR ALL STEEL SURFACES SHALL BE AS INDICATED ON THE LANDSCAPE PLANS.
- FOR SOIL BORING INFORMATION SEE GATEWAY SOIL BORING INFORMATION SHEET.
- FABRICATION AND ERECTION OF STRUCTURAL STEEL SHALL BE IN ACCORDANCE WITH THE LATEST EDITION OF THE AISC "CODE OF STANDARD PRACTICE FOR STEEL BUILDINGS AND BRIDGES."
- SUBMIT SHOP DRAWINGS FOR ALL STEEL FABRICATIONS FOR THIS WORK INCLUDE STRUCTURAL STEEL, AND SIGN PANELS AND CHANNEL LETTERS SHOWN ON THE LANDSCAPE PLANS. SUBMIT REVISED SHOP DRAWINGS BASED ON FIELD MEASUREMENTS AS REQUIRED IN THESE NOTES. SEE SPECIFICATIONS FOR ADDITIONAL REQUIREMENTS.
- UNLESS OTHERWISE SHOWN ON THE PLANS ALL BOLTED CONNECTIONS SHALL BE MADE WITH HOT DIPPED GALVANIZED ASTM A325 BOLTS AND SHALL BE SNUG TIGHTENED (ASTM A325 N). HEADS OF BOLTS AND WASHERS ON THE FRONT FACE OF THE SIGN PANELS SHALL BE PAINTED TO MATCH THE SIGN PANELS.
- ALL ANCHOR RODS SHALL CONFORM TO ASTM F1554 GRADE 36 AND SHALL BE HOT DIPPED GALVANIZED.
- WELDED CONNECTIONS SHALL BE IN ACCORDANCE WITH THE LATEST EDITION OF ANSI/AWS D1.1 STRUCTURAL WELDING CODE, MADE WITH E70XX ELECTRODES AND PERFORMED BY CERTIFIED WELDERS. NO FIELD WELDING IS PERMITTED.
- REINFORCING STEEL SHALL CONFORM TO ASTM A 615 GRADE 60.
- SUBMIT SHOP DRAWINGS OF THE REINFORCEMENT BARS PREPARED IN ACCORDANCE WITH ACI 315: DETAILS AND DETAILING OF CONCRETE REINFORCEMENT.
- MASONRY WORK ON THIS PROJECT SHALL CONFORM TO ALL REQUIREMENTS OF ACI 530.1, SPECIFICATION FOR MASONRY STRUCTURES, PUBLISHED BY THE AMERICAN CONCRETE INSTITUTE (ACI), DETROIT, MICHIGAN, EXCEPT AS MODIFIED HEREIN.
- CONCRETE MASONRY UNITS SHALL BE IN ACCORDANCE WITH ASTM C90, GRADE N, TYPE I.
- THIN BRICK FOR THE FACADE SHALL BE ACCORDING TO ASTM C 1088, EXTERIOR GRADE MEETING WEATHERING INDEX SW, TYPE TBS OR TBX.
- MORTAR SHALL CONFORM TO ASTM C270, TYPE N MORTAR.
- COMPRESSIVE STRENGTH OF CONCRETE MASONRY (f'm) SHALL BE 1500 PSI MINIMUM.
- VERTICAL REINFORCEMENT SHALL TERMINATE WITH A MECHANICAL HEAD INTO THE BOND BEAM. MECHANICAL HEAD SHALL BE BPI BARSPICER DOUGHNUT OR EQUAL.
- LAY CONCRETE MASONRY UNITS WITH FULL MORTAR COVERAGE ON HORIZONTAL AND VERTICAL FACE SHELLS AND WEBS.
- JOINT REINFORCEMENT SHALL BE MADE OF STAINLESS STEEL WIRE AND SHALL CONFORM TO ASTM A82. JOINT REINFORCEMENT SHALL BE 3/16" DIAMETER 2 WIRE TRUSS TYPE.
- JOINT REINFORCEMENT, TIES AND ANCHORS SHALL BE STAINLESS STEEL.
- JOINT REINFORCEMENT SHALL BE PLACED IN ALL MASONRY WALLS AND SPACED 16" O.C..
- ALL CELLS WITH REINFORCEMENT SHALL BE FULLY GROUTED. GROUT SHALL CONFORM TO ASTM C476 AND SHALL HAVE 28 DAY COMPRESSIVE STRENGTH OF 2000 PSI MINIMUM.



SECTION E



SECTION D

*NOTE: DUE TO SOIL CONDITIONS OBSERVED IN SOIL BORINGS, TEMPORARY CASING SHALL BE USED TO INSTALL DRILLED SHAFTS.



FILE NAME = \$FILES
PLOT DATE = 3/16/2016 \$TIMES

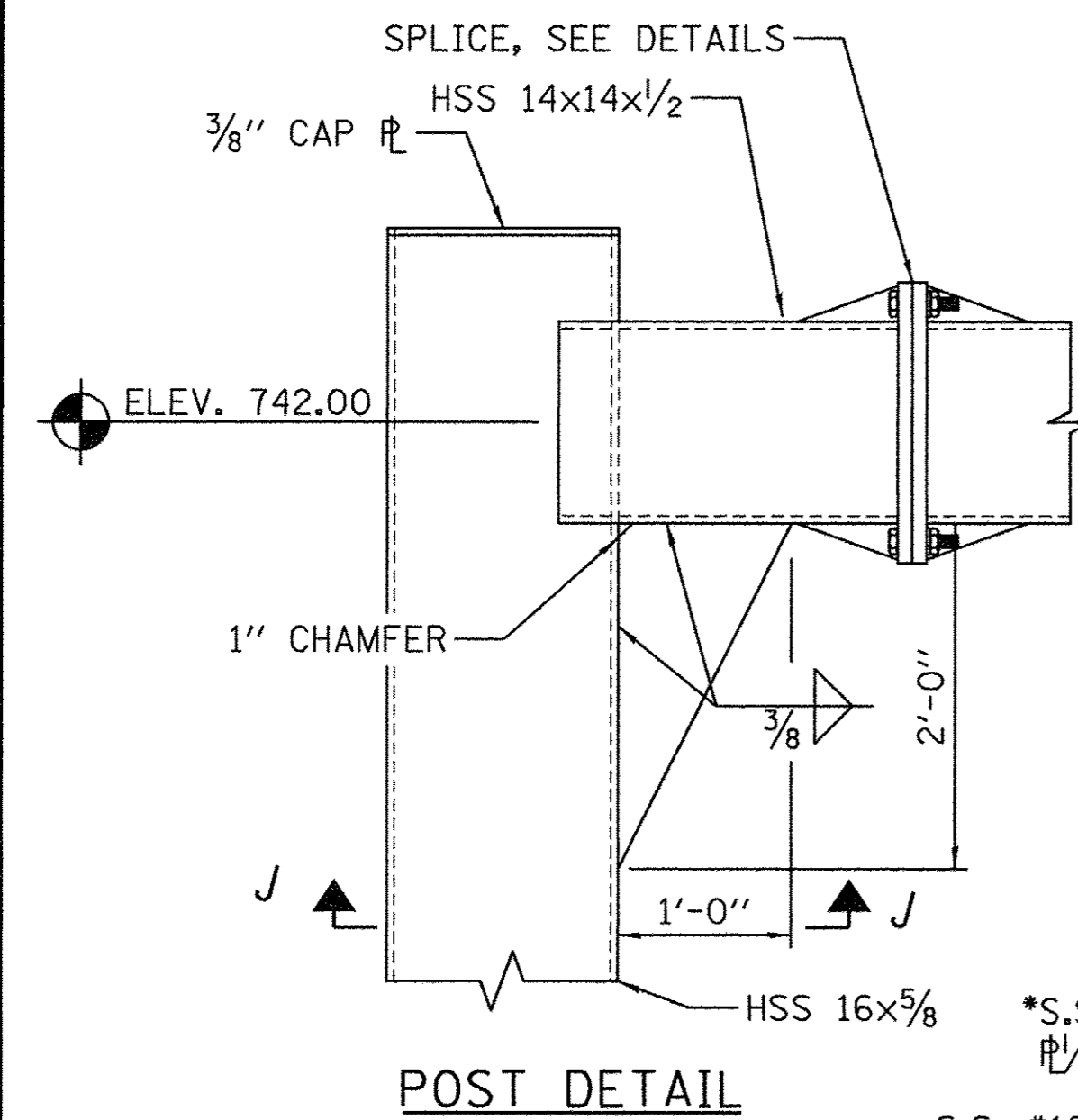
DESIGNED - S.M.M.	REVISED -
DRAWN - S.M.M.	REVISED -
CHECKED - K.R.L.	REVISED -
DATE - MARCH 2016	REVISED -

STATE OF ILLINOIS
DEPARTMENT OF TRANSPORTATION

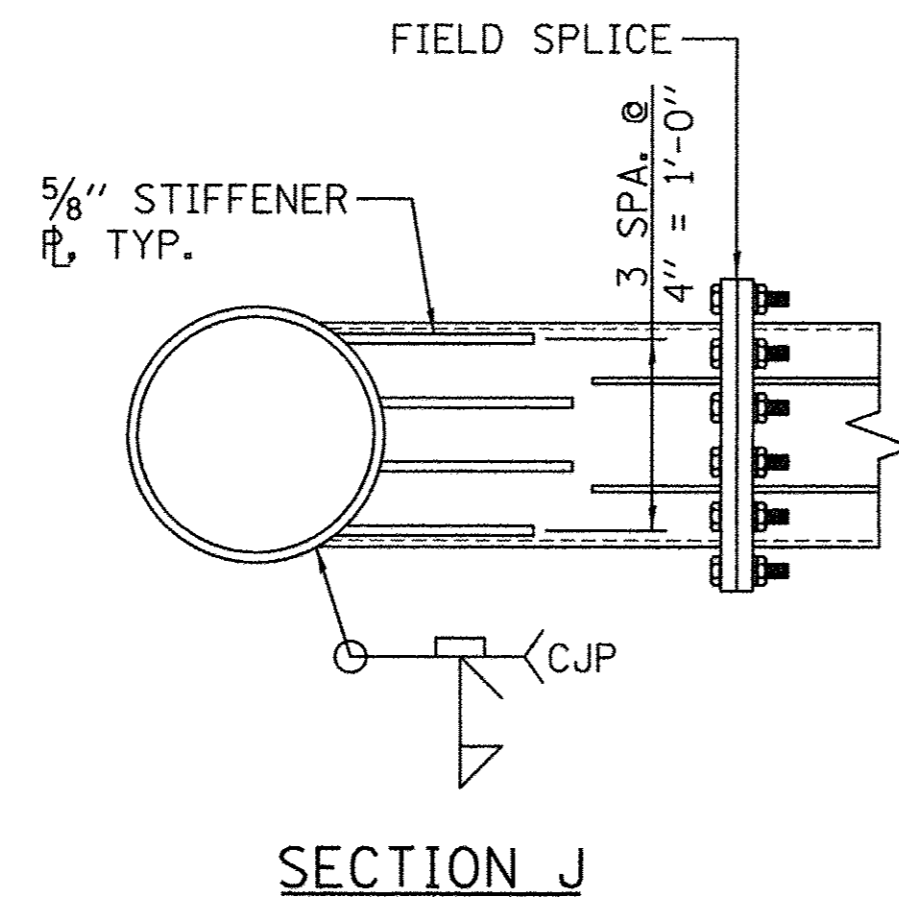
STRUCTURAL PLANS
GATEWAY PILLARS & FOUNDATIONS

SCALE : NONE SHEET NO. 263 OF 412 SHEETS STA. TO STA.

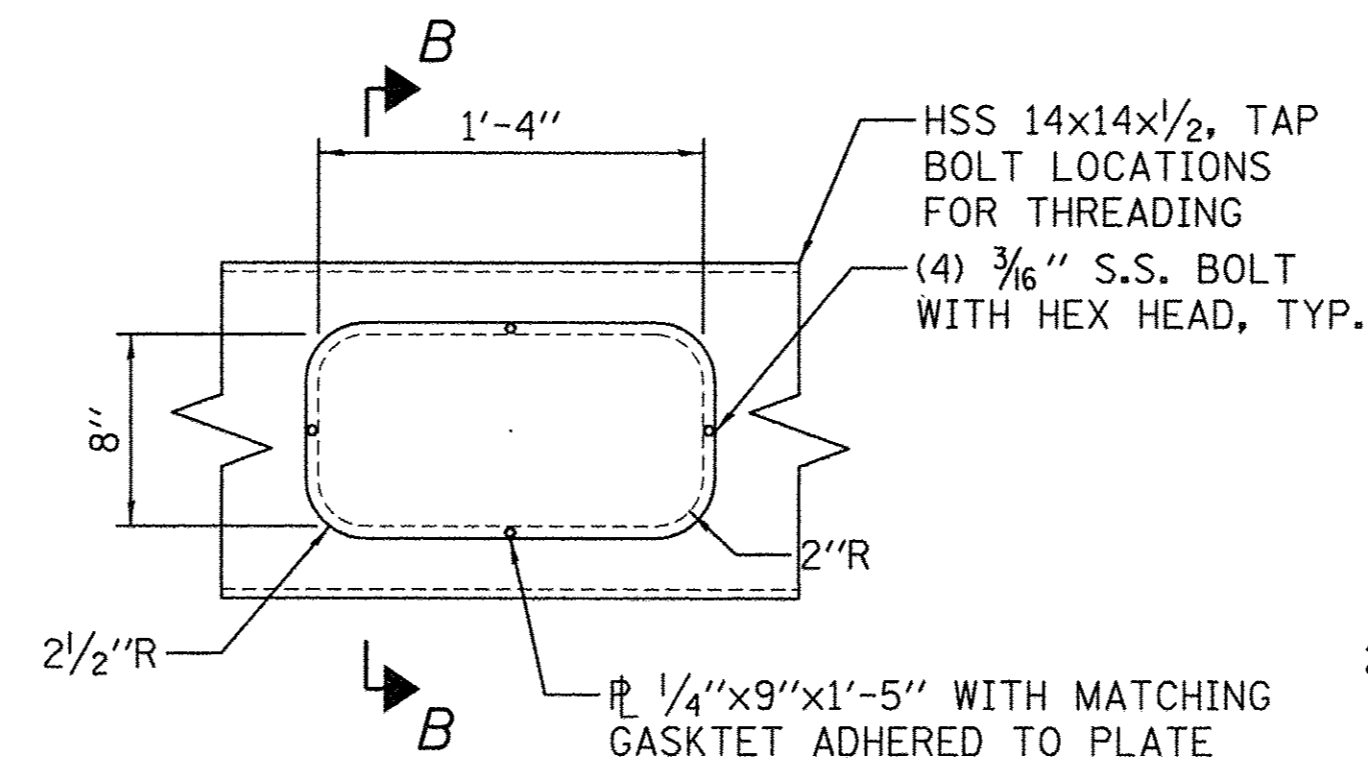
F.A.U. RTE.	SECTION	COUNTY	TOTAL SHEETS	SHEET NO.
7126	15-00304-02-PV	CHAMPAIGN	412	263
MCORE PROJECT 2		CONTRACT NO. 91540		
JOB NO. C-95-306-16 ILLINOIS FED. AID PROJECT TIG-5181(058)				



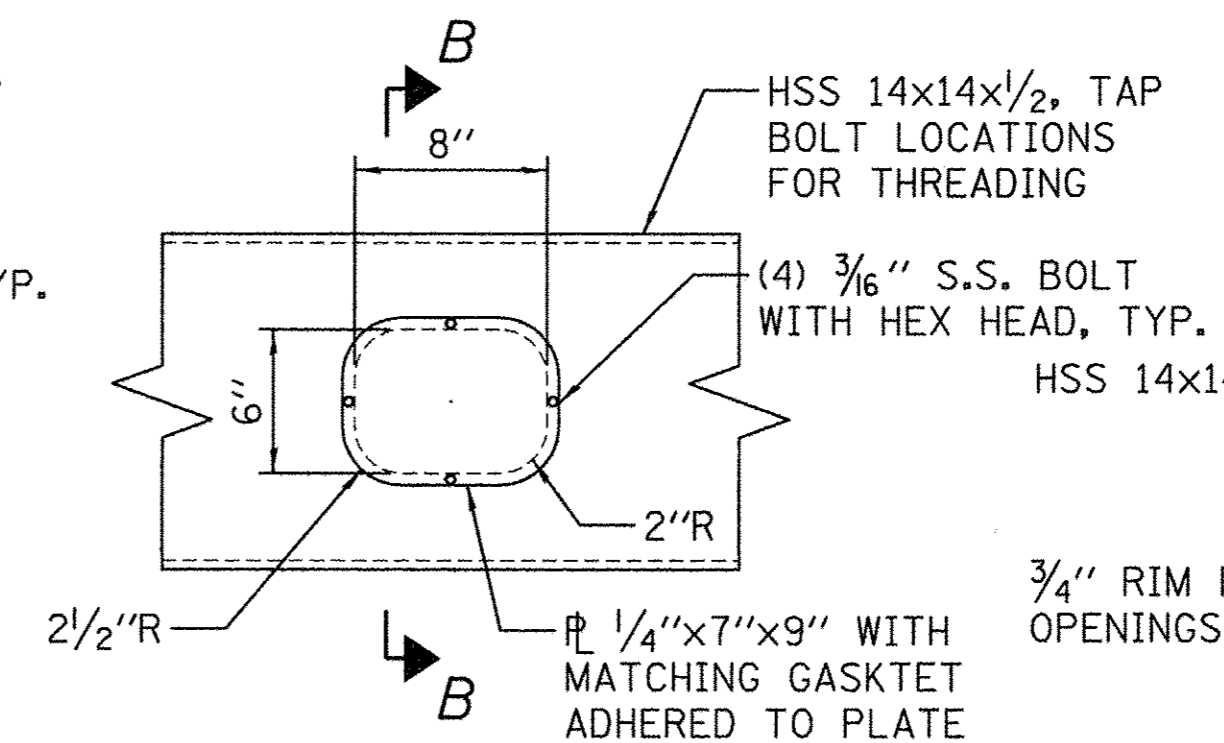
POST DETAIL



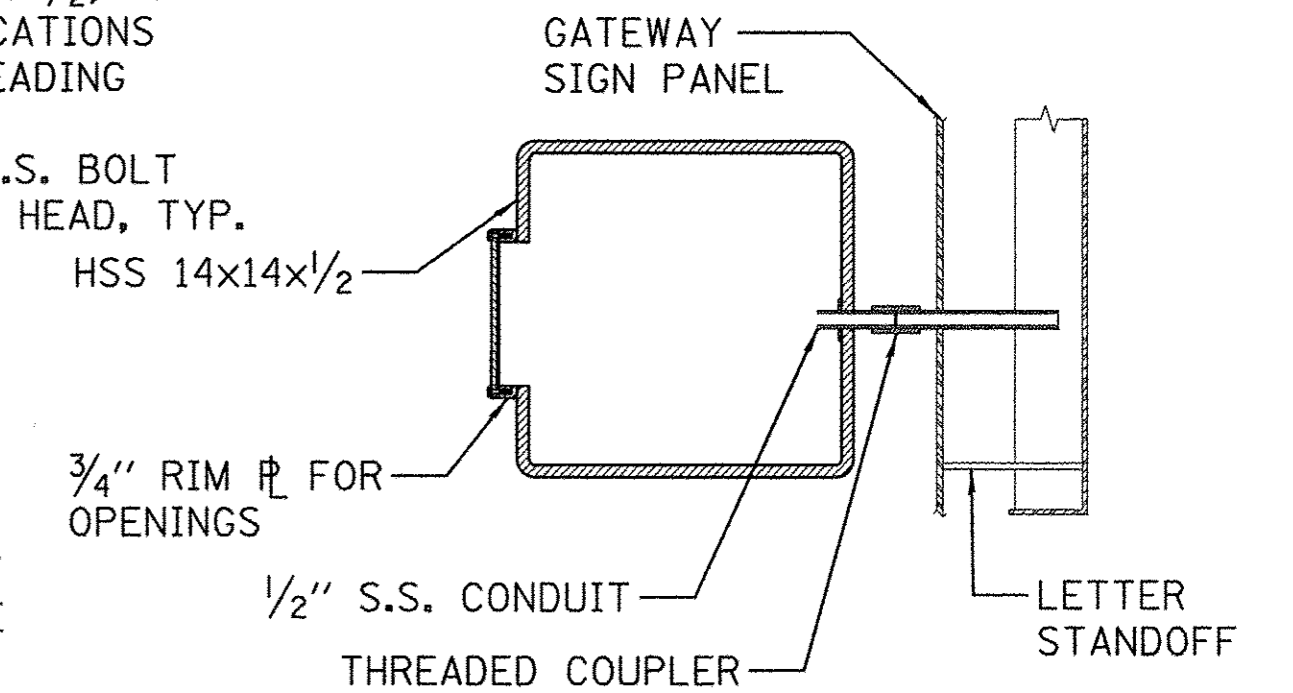
SECTION J



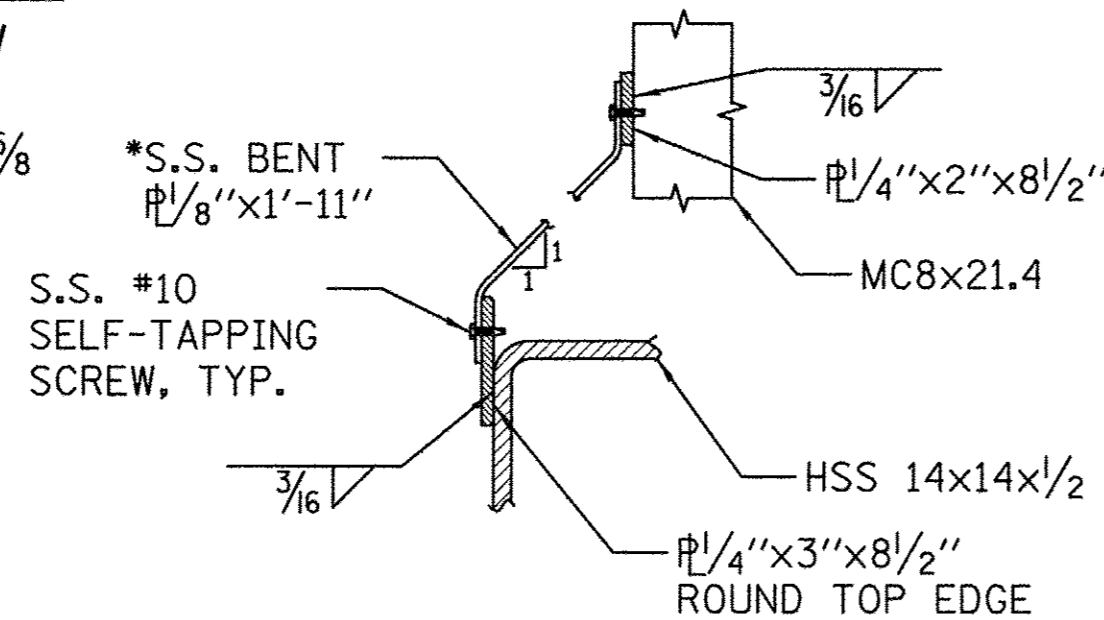
DETAIL - LARGE HANDHOLE



DETAIL - SMALL HANDHOLE

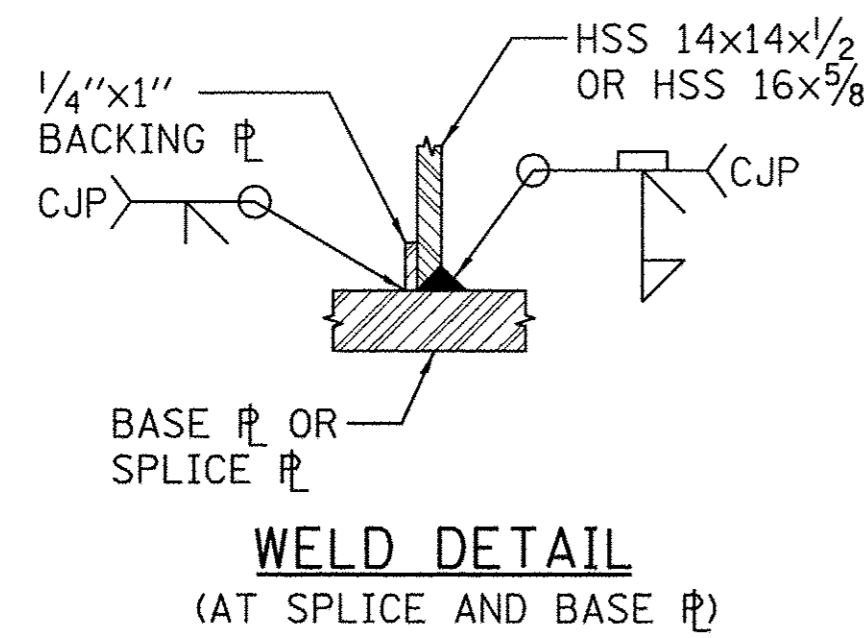


SECTION B

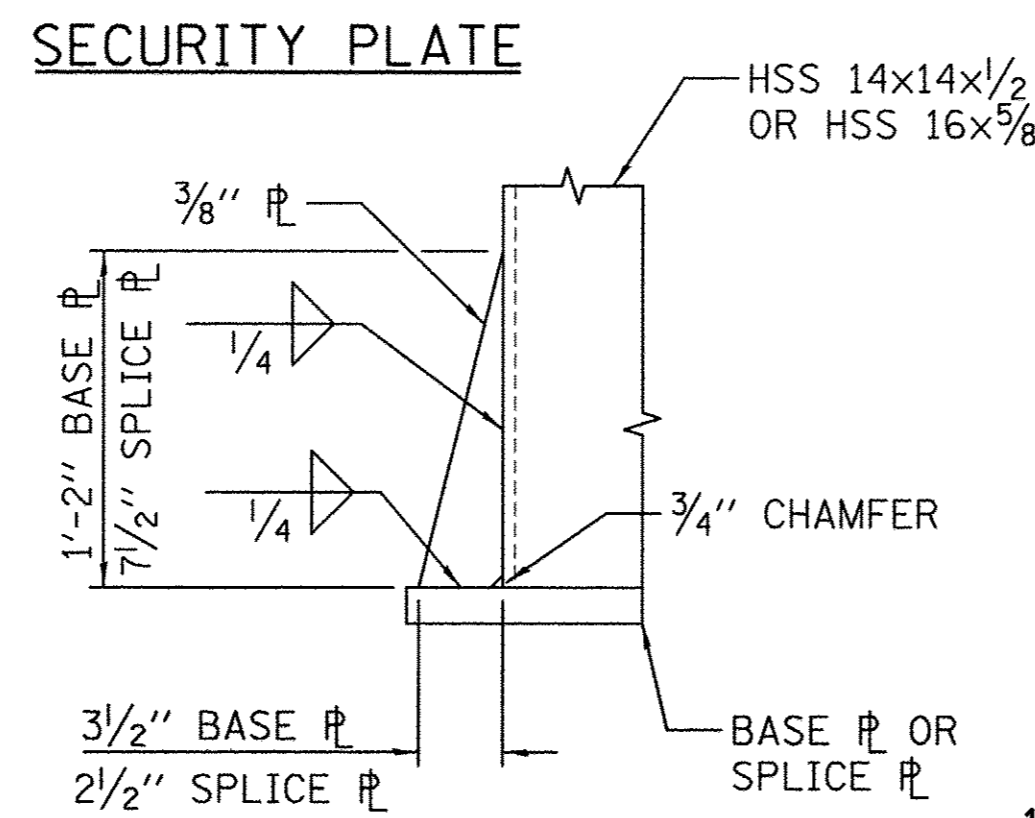


SECURITY PLATE

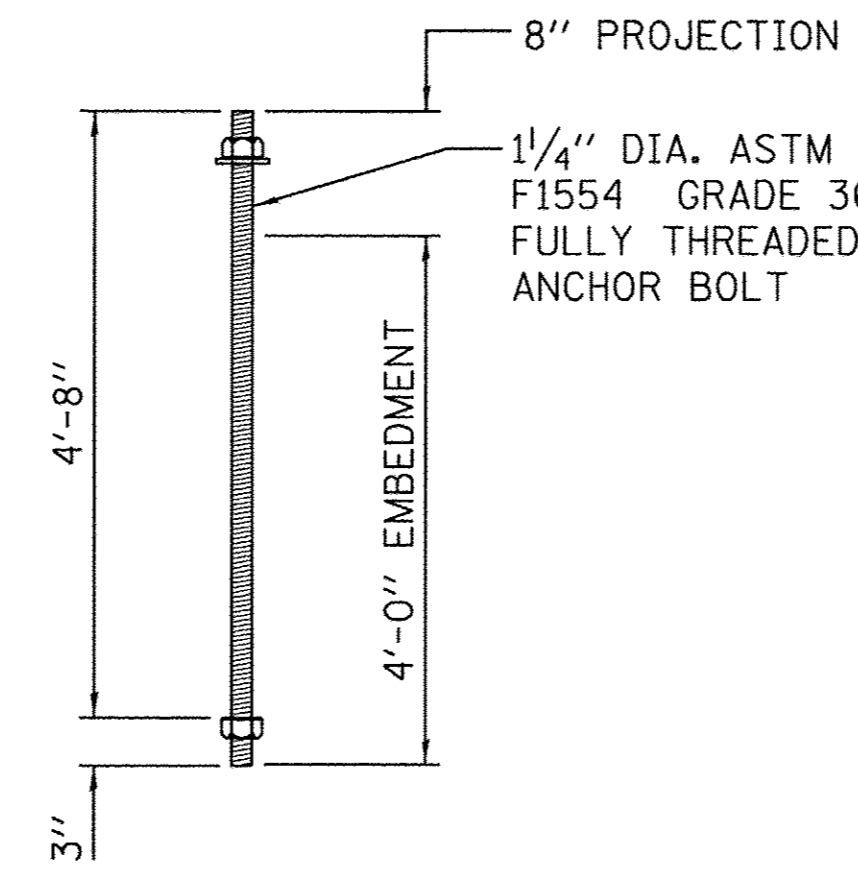
*S.S. SECURITY PLATE SHALL RUN FULL LENGTH OF TUBE. PROVIDE IN PIECES SPANNING BETWEEN EACH SUPPORT ARM. PROVIDE 1/4\"/>



WELD DETAIL
(AT SPLICE AND BASE PL)



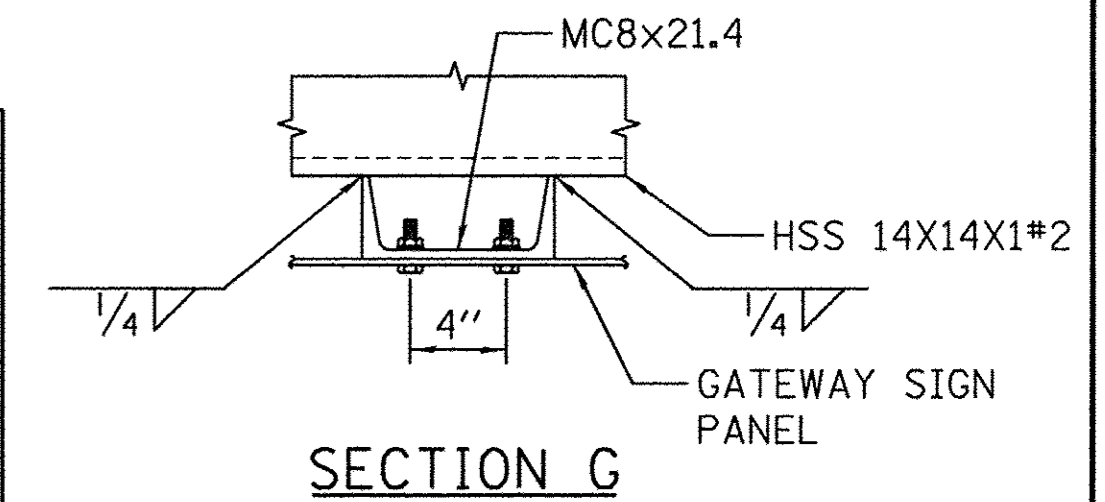
STIFFENER DETAIL



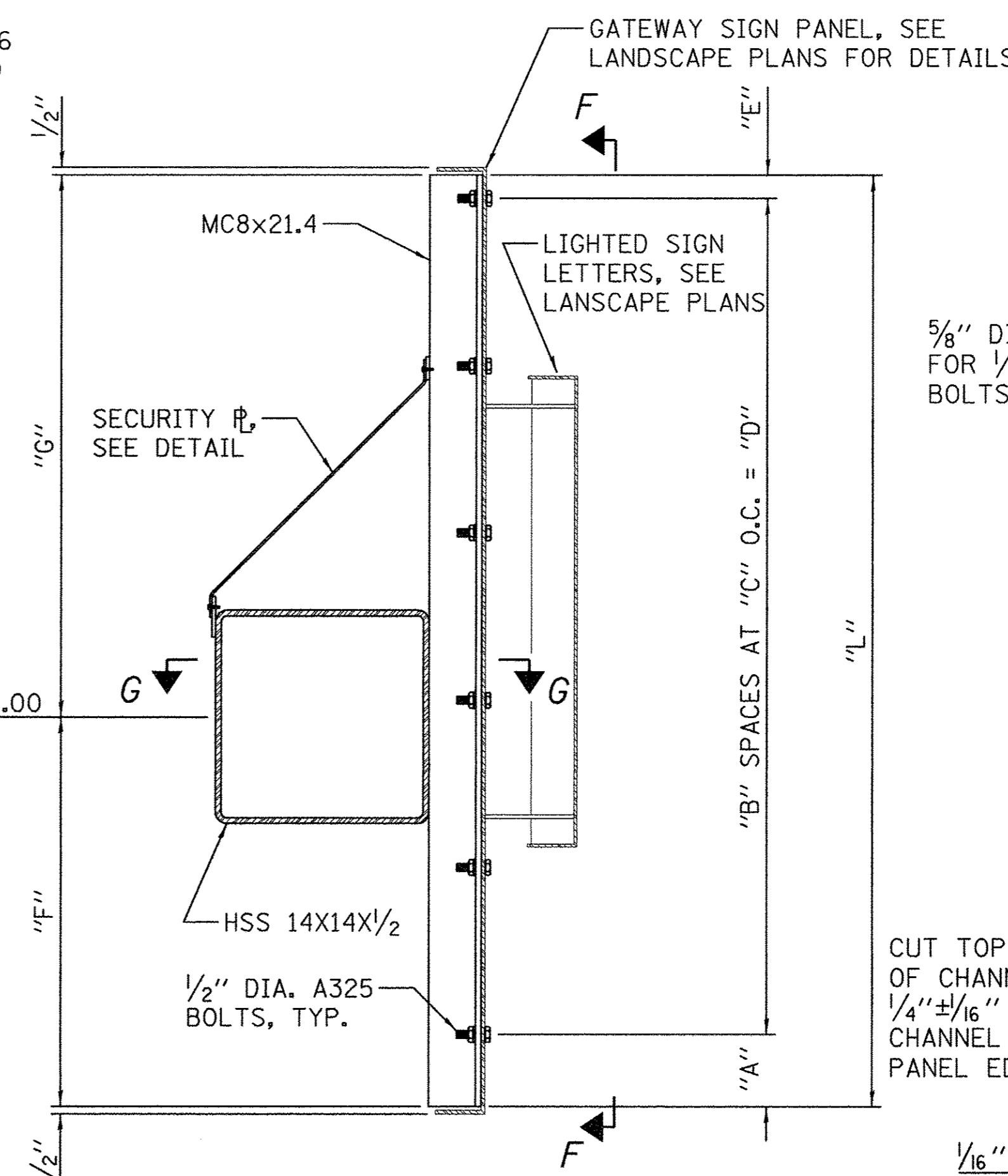
1/4\"/>

SUPPORT ARM DIMENSIONS

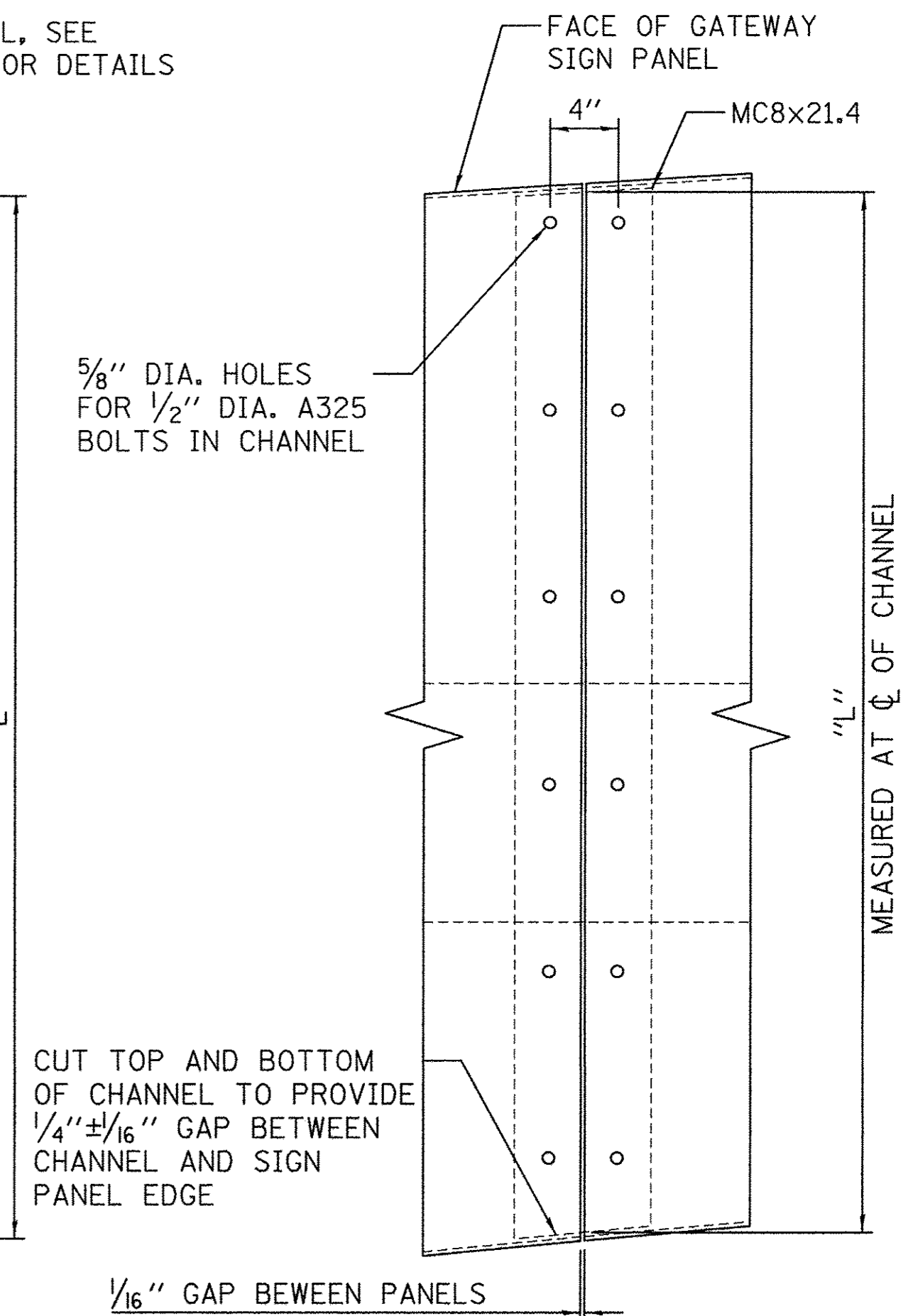
MARK	A	B	C	D	E	F	G	L
A1	7 5/8"	5	12"	5'-0"	2 5/16"	4'-4 3/16"	7 5/8"	5'-9 5/16"
A2	3 1/16"	5	12"	5'-0"	1 13/16"	3'-1 1/2"	2'-3 1/2"	5'-5"
A3	4 3/8"	5	11"	4'-7"	1 3/4"	2'-1 1/4"	2'-11 1/8"	5'-1 1/8"
A4	2 5/8"	5	11"	4'-7"	1 5/8"	1'-7 1/4"	3'-4"	4'-11 1/4"
A5	2 3/8"	5	11"	4'-7"	1 13/16"	1'-1 1/8"	3'-4 1/8"	4'-11 3/16"
A6	4"	5	11"	4'-7"	2"	2'-0 1/8"	3'-0 1/8"	5'-1"
A7	3 1/8"	5	12"	5'-0"	2 3/16"	3'-2 3/16"	2'-3"	5'-5 5/16"
A8	7 5/8"	5	12"	5'-0"	2 5/16"	4'-4 3/16"	1'-5 1/8"	5'-9 5/16"



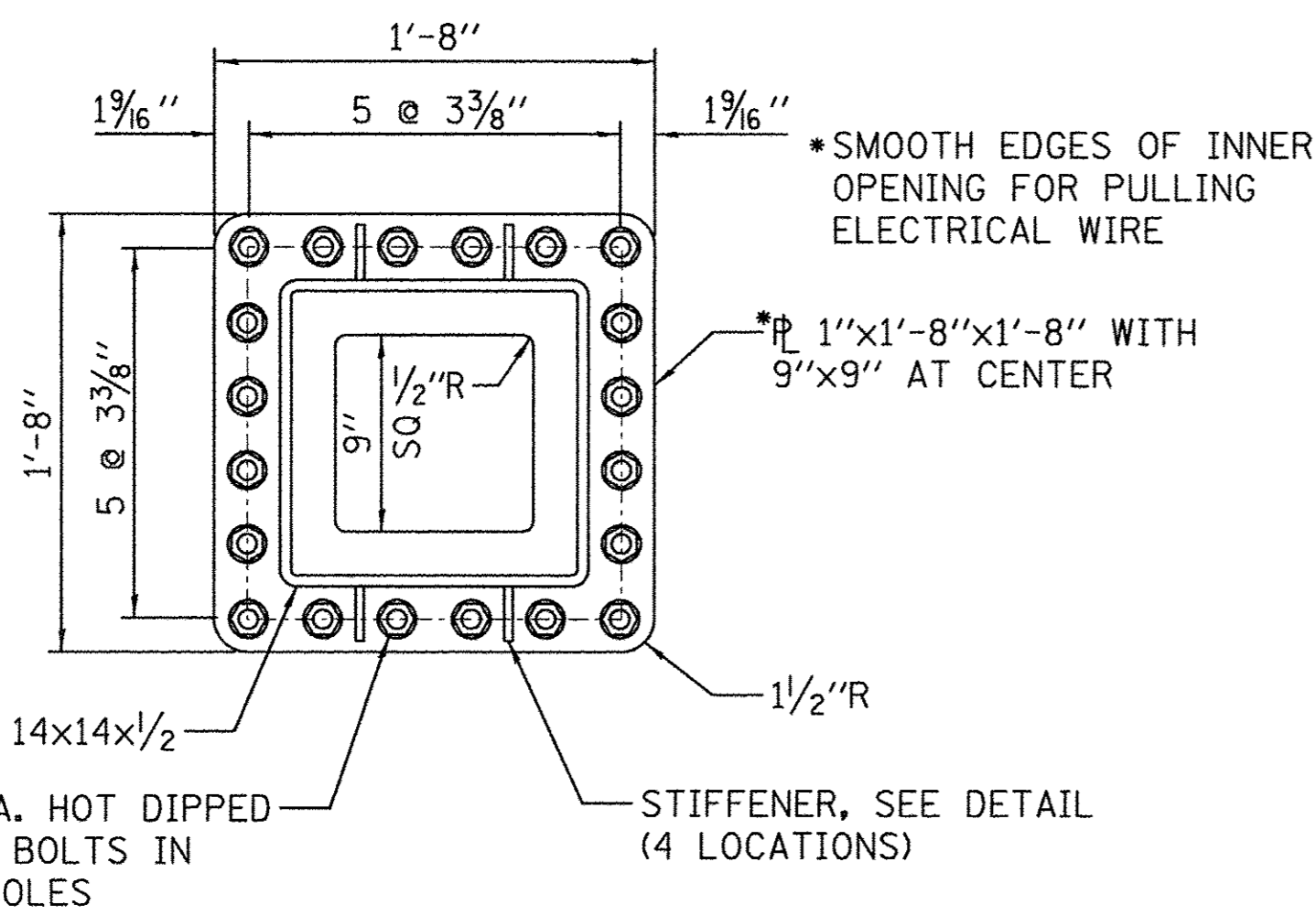
SECTION G



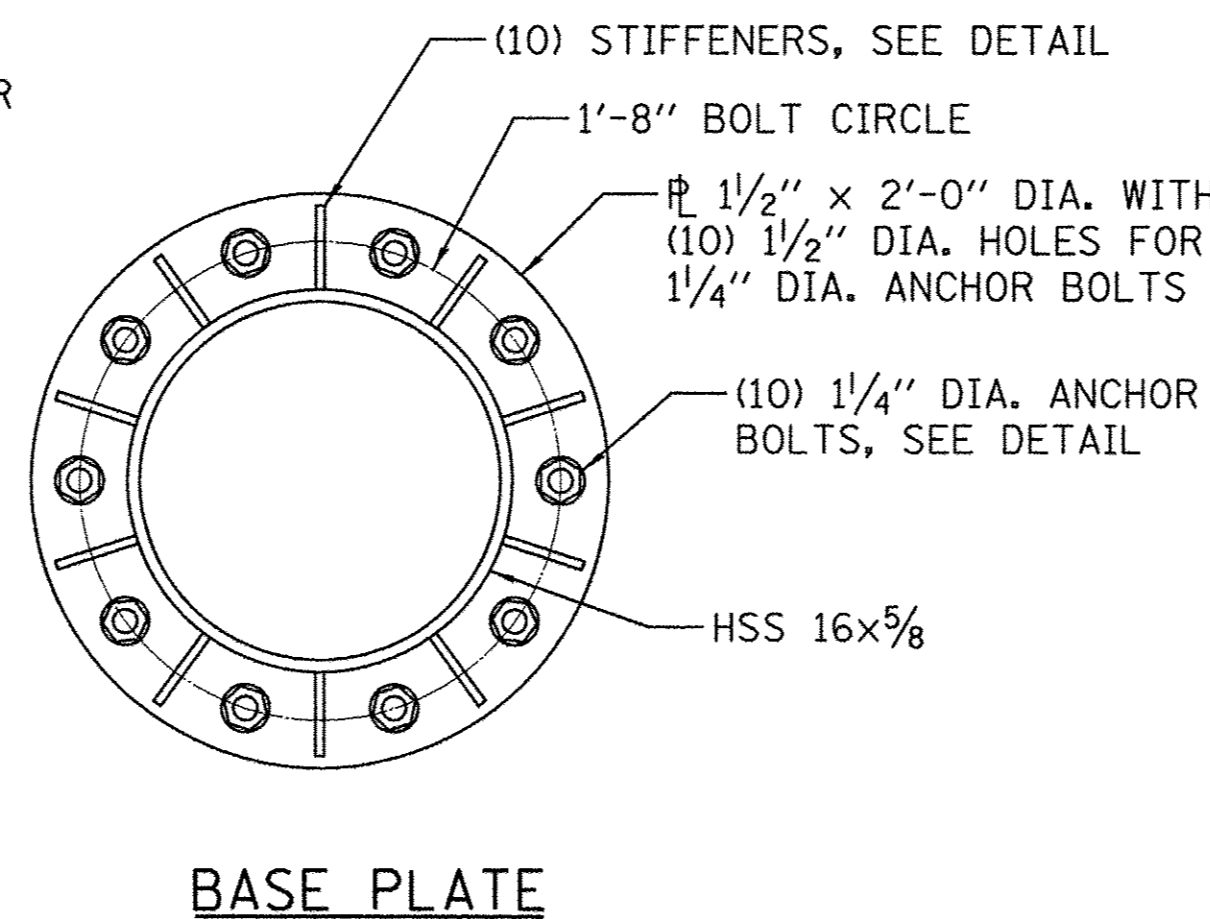
SECTION A



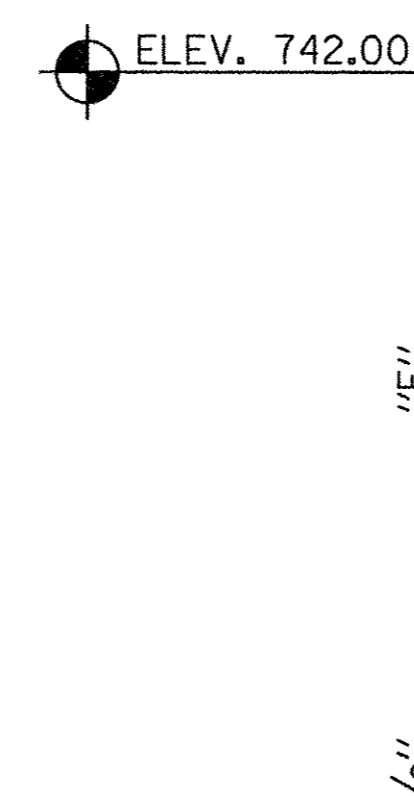
SECTION F



SECTION C - FIELD SPLICE



BASE PLATE



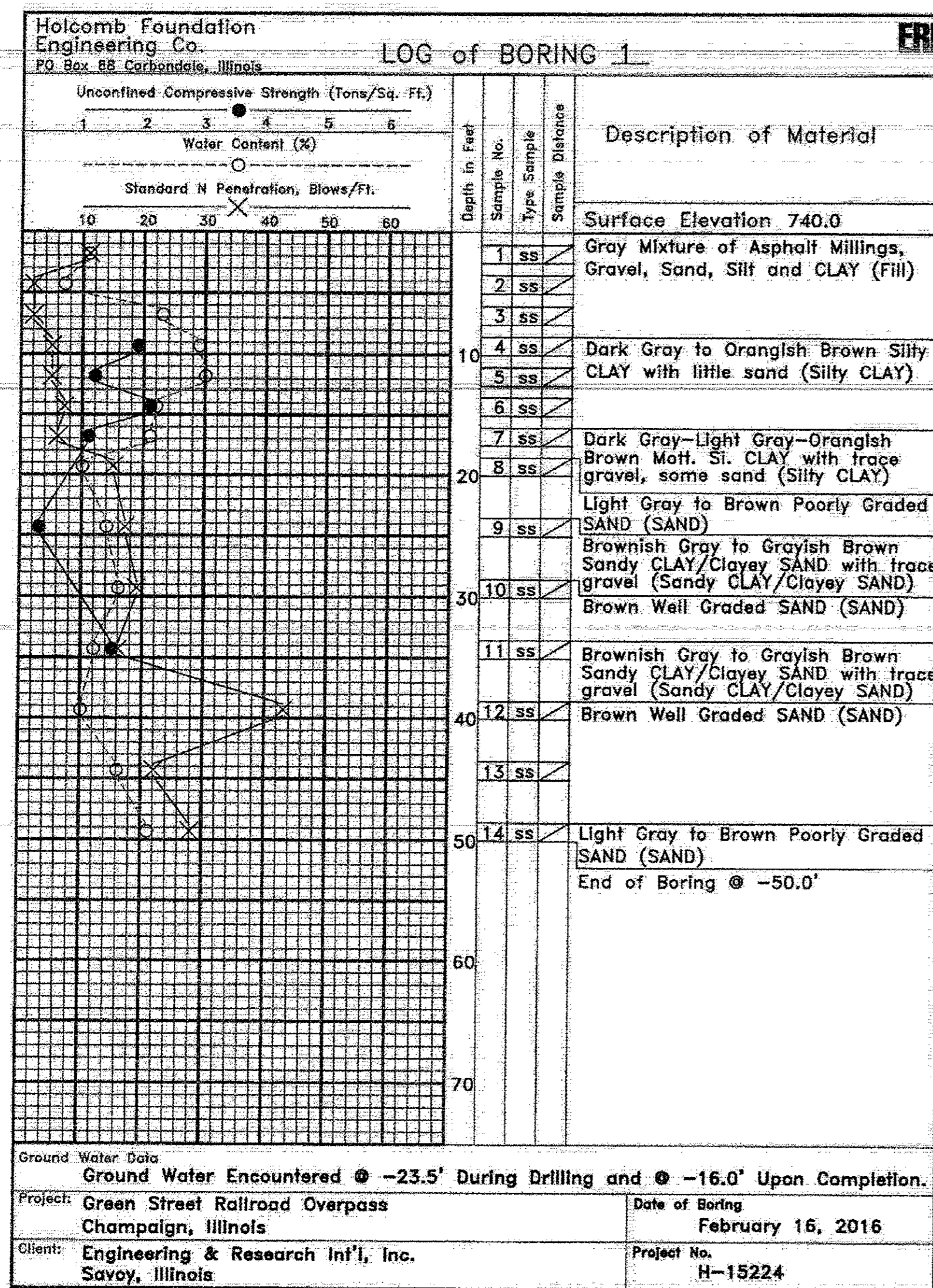


Figure 3: South Side Boring Log

Table 1: Lab Test Results on Split Spoon Samples for the Gateway on Green Street - Champaign, IL
Client: Clark Dietz, Inc. Boring Number: 1 Location: Green Street - Champaign, IL

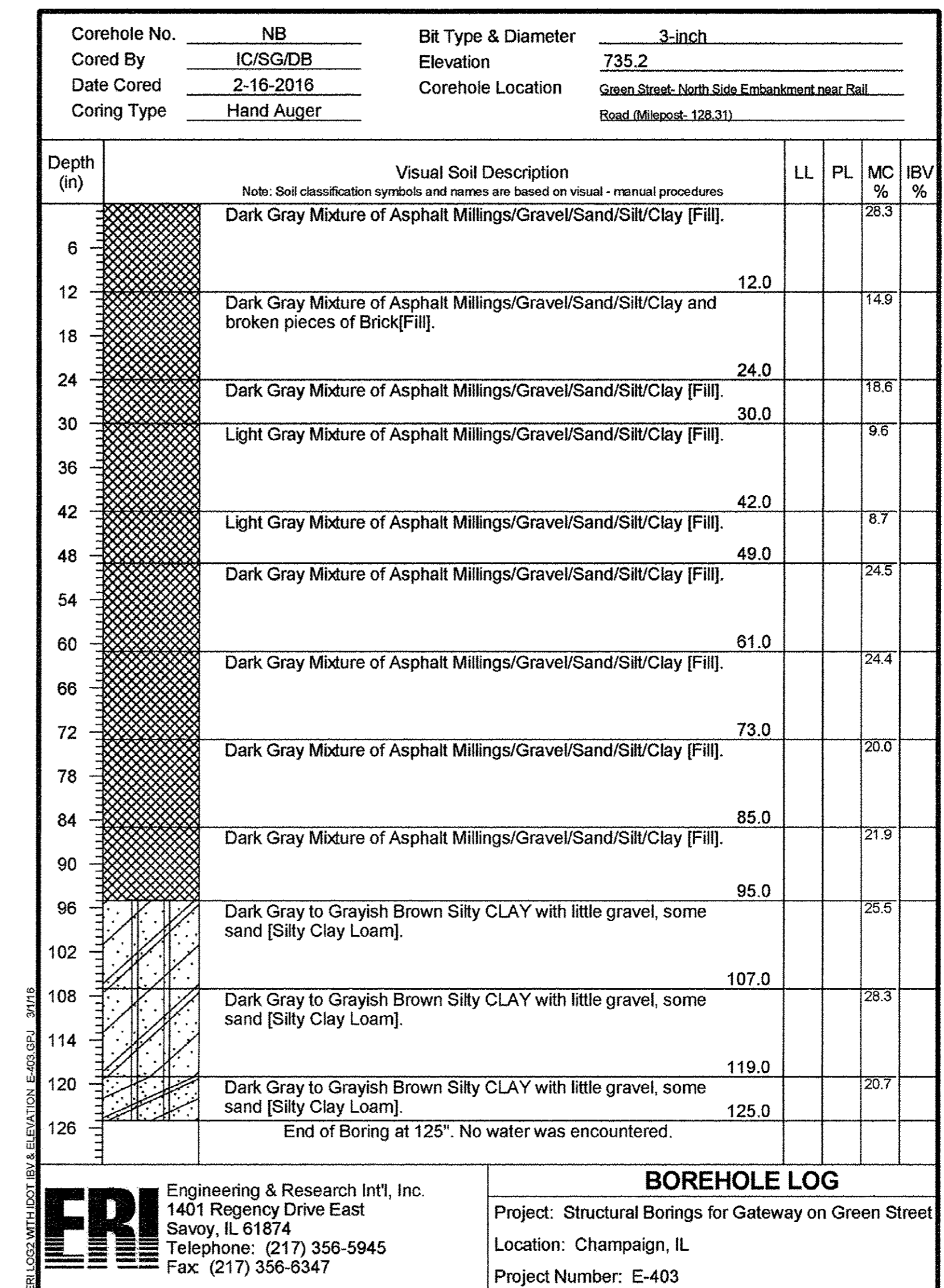
Sample No.	Sample Depth	ERI Visual Description	Moisture Content					RIMAC			Pocket Penetrometer (TSF)	In-Place Dry Density (pcf)	
			Can + Wet Soil (g)	Can + Dry Soil (g)	Can (g)	Water (g)	Dry Soil (g)	MC (%)	Load (Lbs)	Strain (%)			Type of Failure
1	0 - 2.5'	1. Light Gray Mixture of Asphalt Millings, Gravel, Sand, Silt and Clay [Fill]	188.10	174.60	52.70	13.5	121.9	11.1	-	-	-	2.50	-
2	3.5 - 5'	1. Light Gray Mixture of Asphalt Millings, Gravel, Sand, Silt and Clay [Fill]	199.10	189.50	51.00	9.8	138.5	9.9	-	-	-	-	-
3	6 - 7.5'	1. Light Gray Mixture of Asphalt Millings, Gravel, Sand, Silt and Clay [Fill]	92.00	84.70	52.60	7.3	31.9	22.9	-	-	-	-	-
4	8.5 - 10'	2. Dark Gray to Orangish Brown Silty CLAY with little sand [Silty Clay]	165.30	132.10	52.30	23.2	79.8	29.1	45	15	bulge	1.85	1.75
5	11 - 12.5'	2. Dark Gray to Orangish Brown Silty CLAY with little sand [Silty Clay]	159.70	134.60	51.70	25.1	82.9	30.3	29	15	bulge	1.20	1.5
6	13.5 - 15'	2. Dark Gray to Orangish Brown Silty CLAY with little sand [Silty Clay]	180.80	157.80	52.40	23	105.4	21.8	50	15	bulge	2.06	2.25
7	16 - 17.5'	3. Dark Gray to Light Gray to Orangish Brown Mottled Silty CLAY with trace gravel, some sand [Silty Clay]	162.90	135.30	50.60	17.6	84.7	20.8	26	15	bulge	1.07	1.25
8	18.5 - 20'	4. Light Gray to Brown Poorly Graded SAND [SAND]	212.20	198.10	53.90	14.1	144.2	9.8	-	-	-	-	-
9	23.5 - 25'	5. Brownish Gray to Grayish Brown Sandy CLAY/Clayey SAND with trace gravel [Sandy Clay/Clayey SAND]	201.30	183.10	51.30	18.2	131.8	13.8	7.5	15	shear	0.31	0.50
10	28.5 - 30'	6. Brown Well Graded SAND [SAND]	249.50	222.30	53.70	27.2	188.6	16.1	-	-	-	-	-
11	33.5 - 35'	5. Brownish Gray to Grayish Brown Sandy CLAY/Clayey SAND with trace gravel [Sandy Clay/Clayey SAND]	242.30	222.90	54.60	19.4	188.3	11.5	36	15	bulge	1.48	1.00
12	38.5 - 40'	6. Brown Well Graded SAND [SAND]	218.80	203.40	54.00	15.4	149.4	10.3	-	-	-	-	-

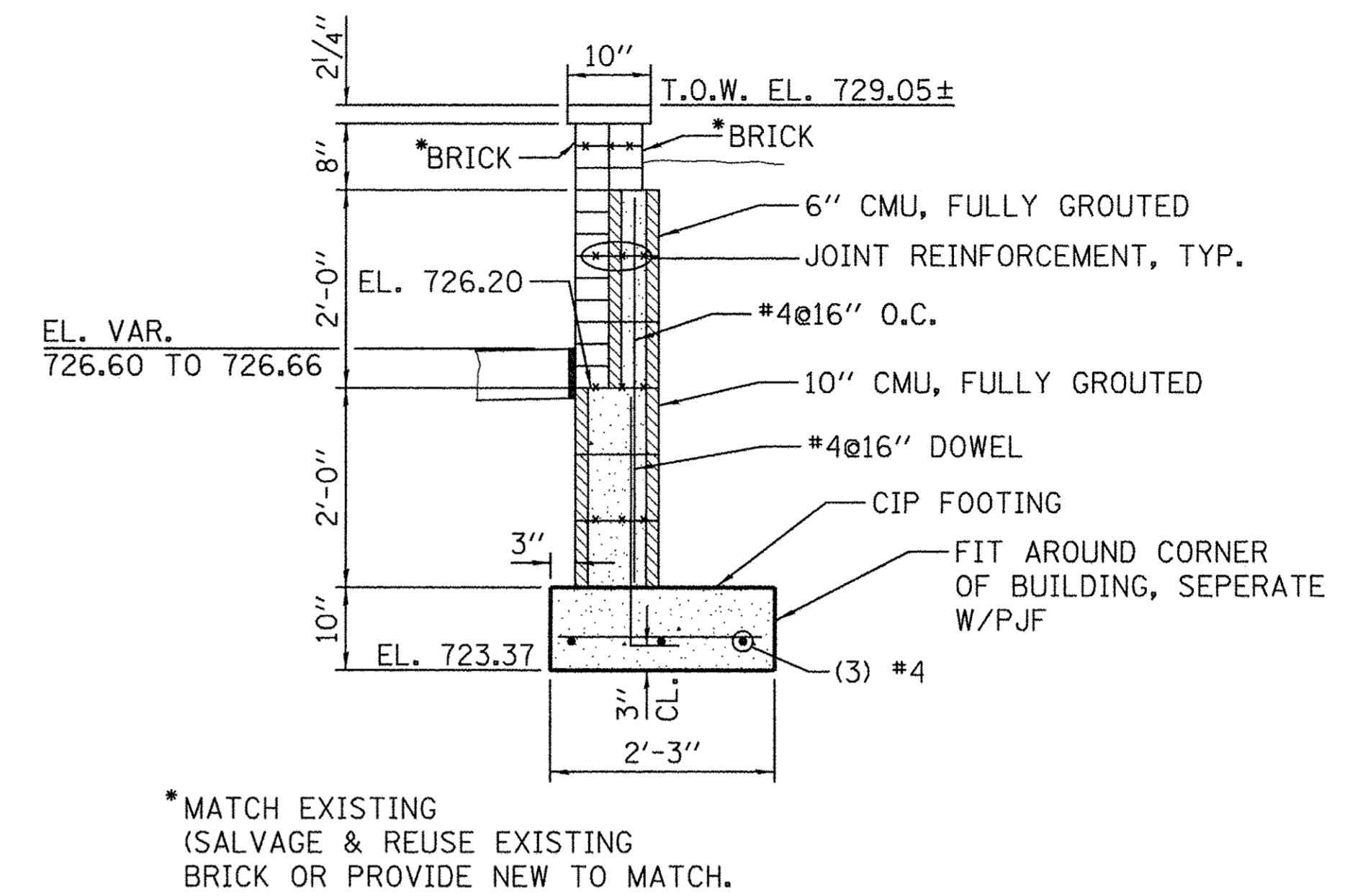
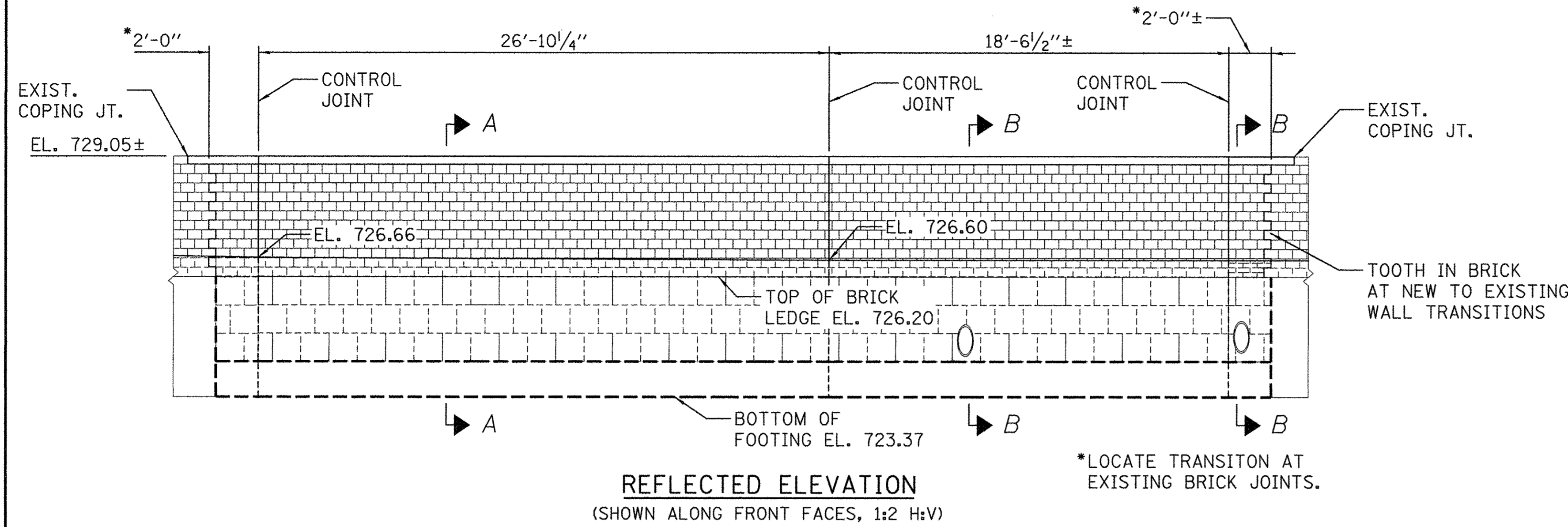
Notes: Surface Elevation = 740.00 [] Indicates IDOT Textural Classification

Table 1: Lab Test Results on Split Spoon Samples for the Gateway on Green Street - Champaign, IL (Continued)
Client: Clark Dietz, Inc. Boring Number: 1 Location: Green Street - Champaign, IL

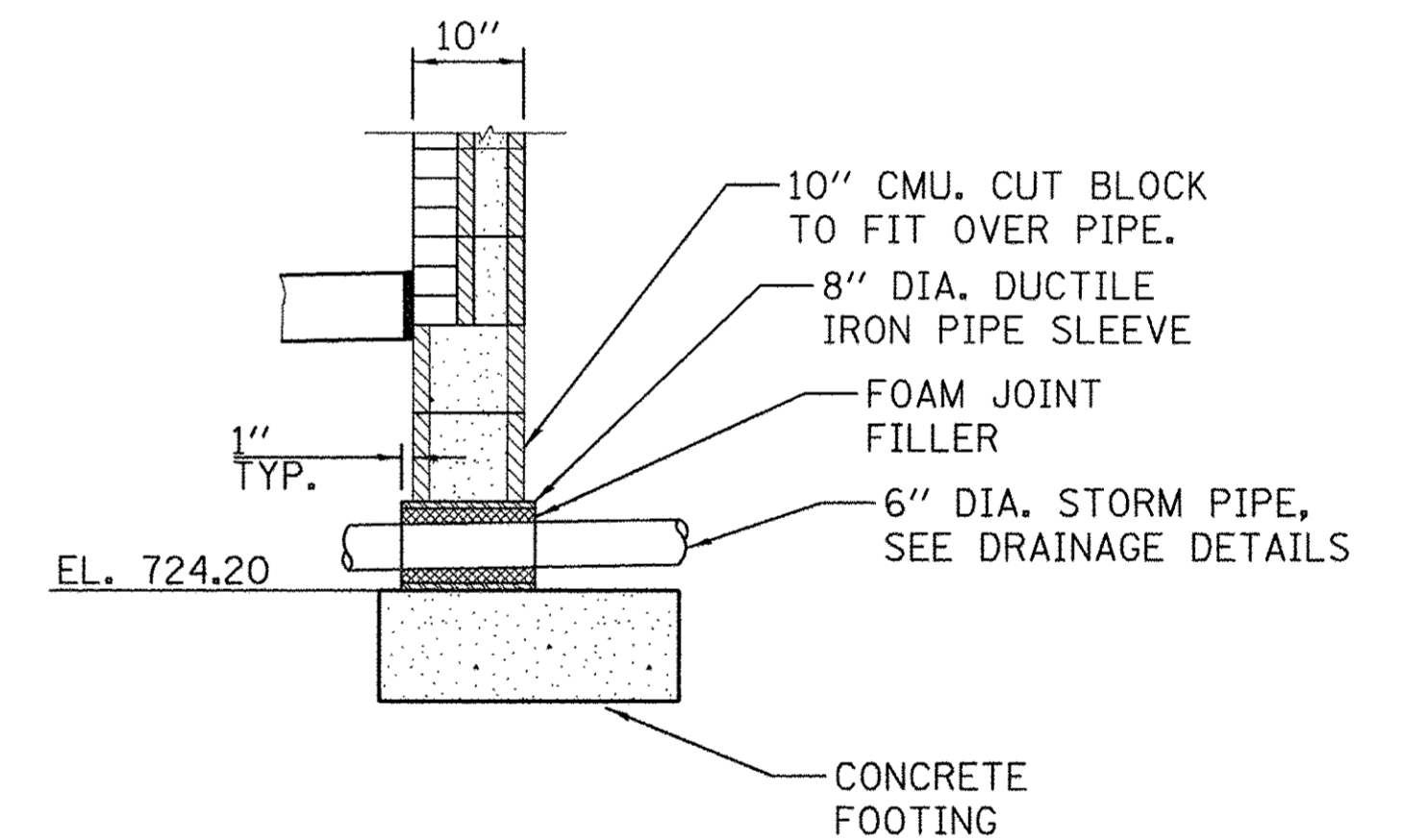
Sample No.	Sample Depth	ERI Visual Description	Moisture Content					RIMAC			Pocket Penetrometer (TSF)	In-Place Dry Density (pcf)	
			Can + Wet Soil (g)	Can + Dry Soil (g)	Can (g)	Water (g)	Dry Soil (g)	MC (%)	Load (Lbs)	Strain (%)			Type of Failure
13	43.5 - 45'	6. Brown Well Graded SAND [SAND]	214.20	192.10	53.20	22.1	138.9	15.9	-	-	-	-	-
14	48.5 - 50'	4. Light Gray to Brown Poorly Graded SAND [SAND]	251.90	217.40	54.90	34.5	162.5	21.2	-	-	-	-	-

Notes: Surface Elevation = 740.00 [] Indicates IDOT Textural Classification

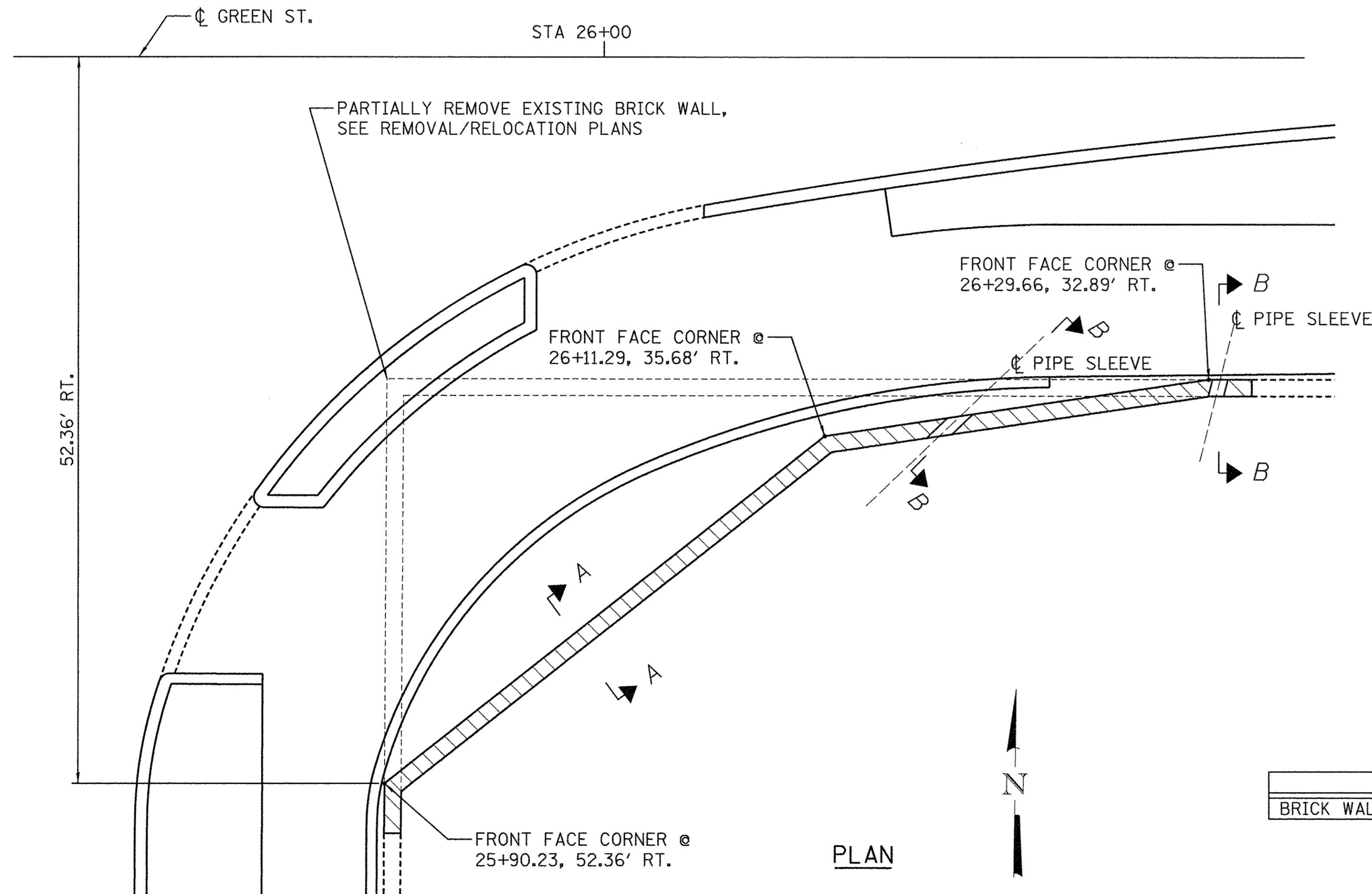




SECTION A



SECTION B



PLAN

BILL OF MATERIAL

ITEM	UNIT	QUANTITY
BRICK WALL	FOOT	50



FILE NAME = \$FILES
 PLOT DATE = 3/16/2016 \$TIMES

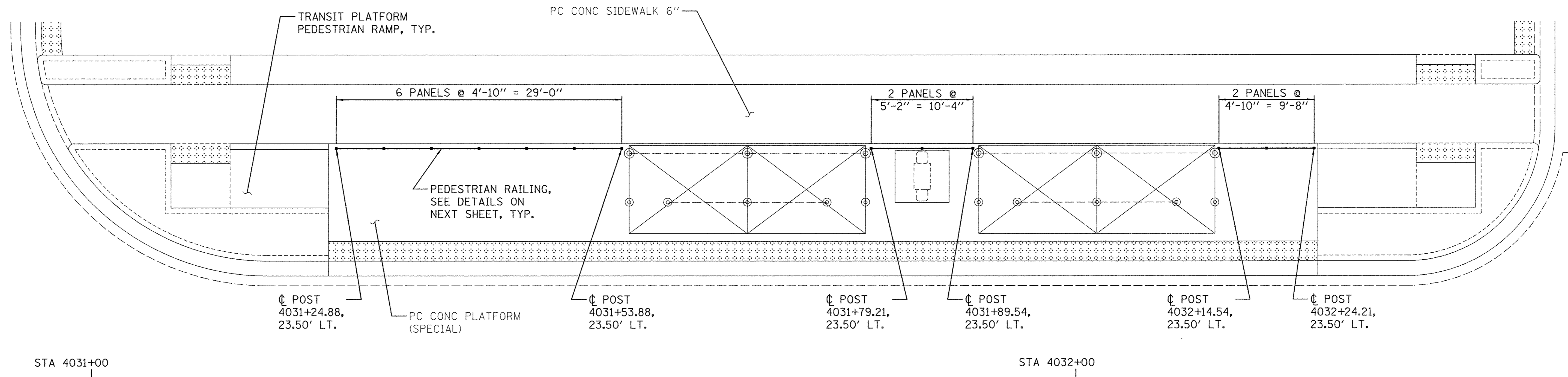
DESIGNED - S.M.M. REVISIONS -
 DRAWN - S.M.M. REVISIONS -
 CHECKED - K.R.L. REVISIONS -
 DATE - MARCH 2016 REVISIONS -

STATE OF ILLINOIS
 DEPARTMENT OF TRANSPORTATION

STRUCTURAL PLANS
 RETAINING WALL AT GREEN AND 1ST

SCALE : NONE SHEET NO. 266 OF 412 SHEETS STA. TO STA.

F.A.U. RTE.	SECTION	COUNTY	TOTAL SHEETS	SHEET NO.
7126	15-00304-02-PV	CHAMPAIGN	412	266
MCORE PROJECT 2			CONTRACT NO. 91540	
JOB NO. C-95-306-16 ILLINOIS FED. AID PROJECT TIG-5181(058)				

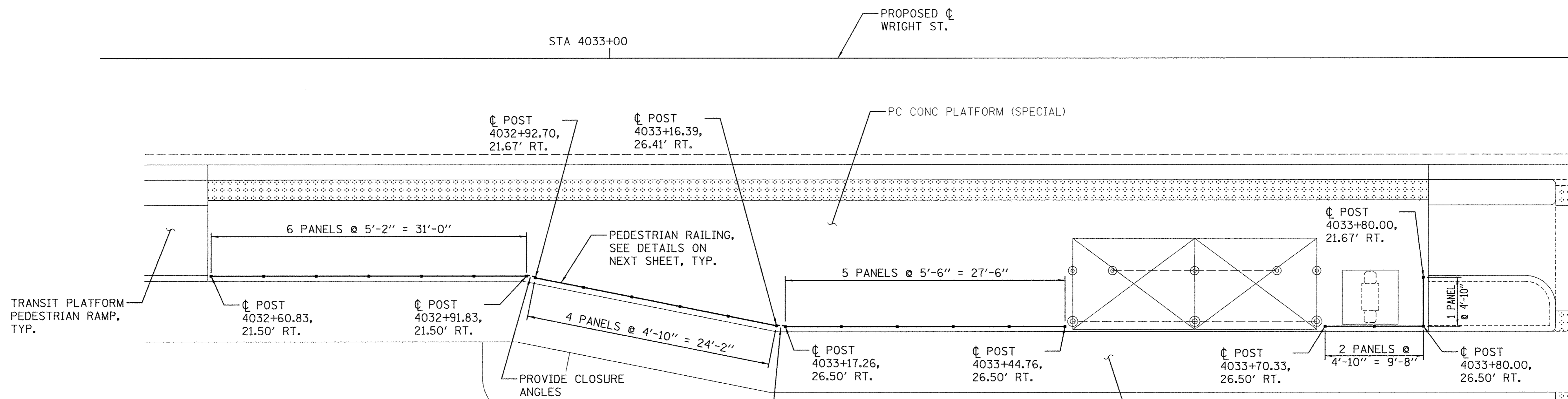


PLAN - WEST TRANSIT PLATFORM

STA 4031+00

STA 4032+00

PROPOSED ϕ WRIGHT ST.



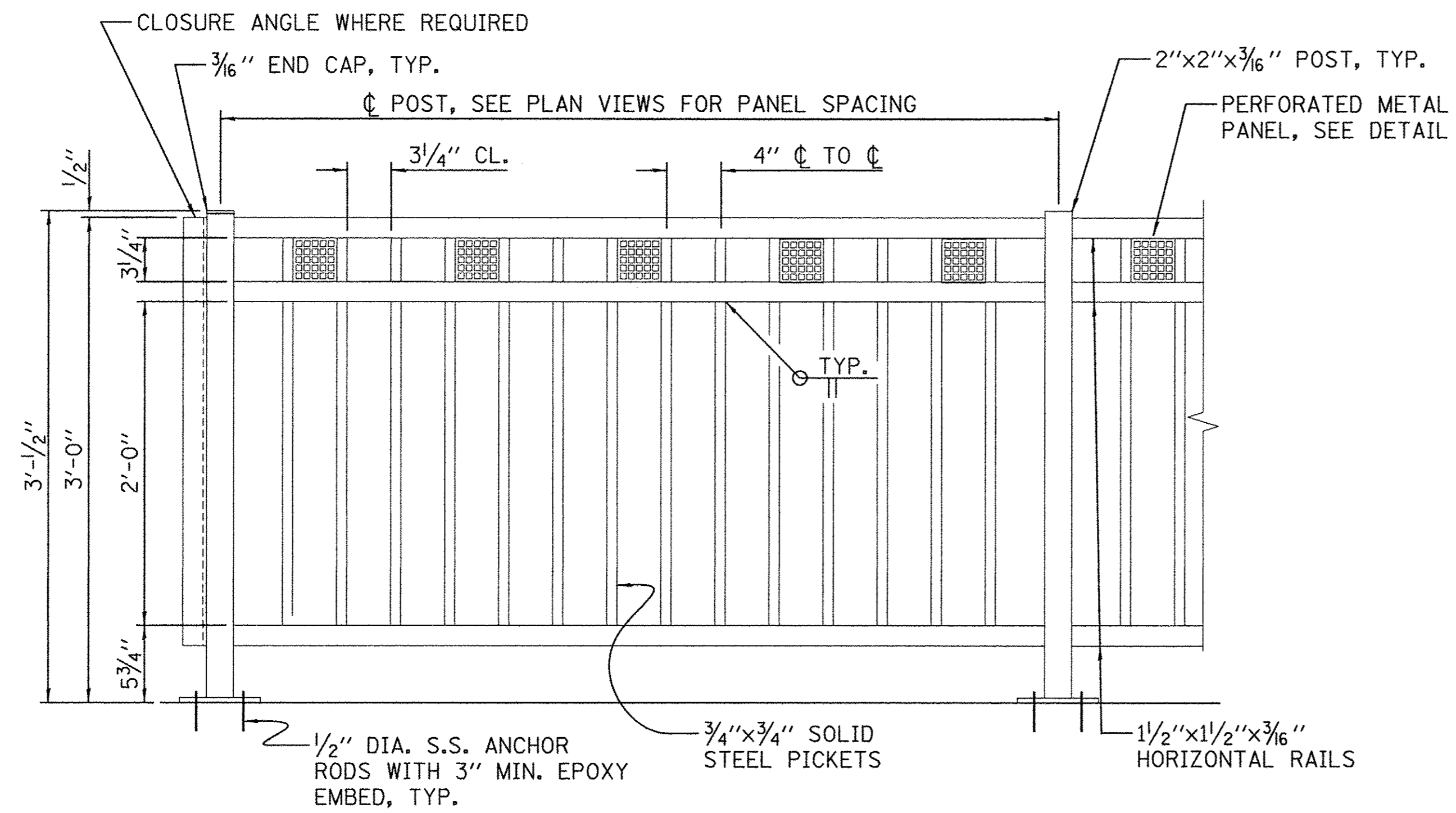
PLAN - EAST TRANSIT PLATFORM

STA 4033+00

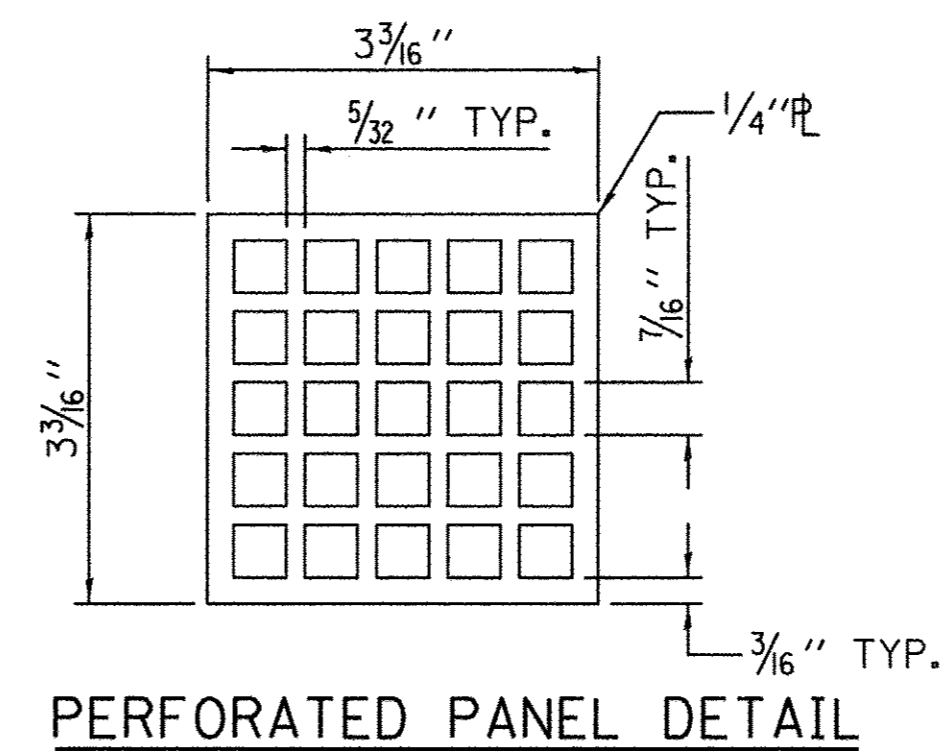
PROPOSED ϕ WRIGHT ST.

BILL OF MATERIAL

ITEM	UNIT	QUANTITY
PEDESTRIAN RAILING	FOOT	149

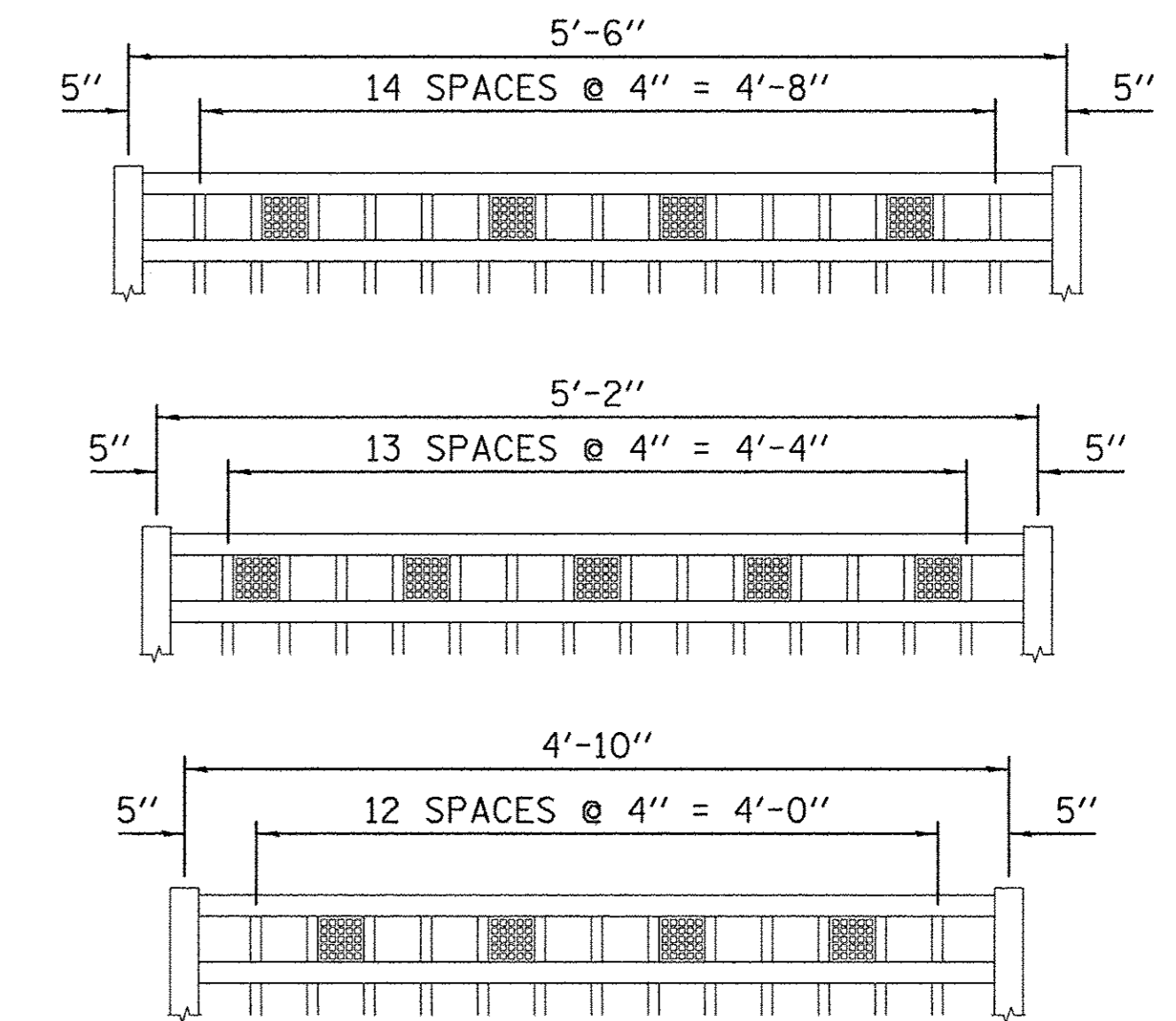


PEDESTRIAN RAILING

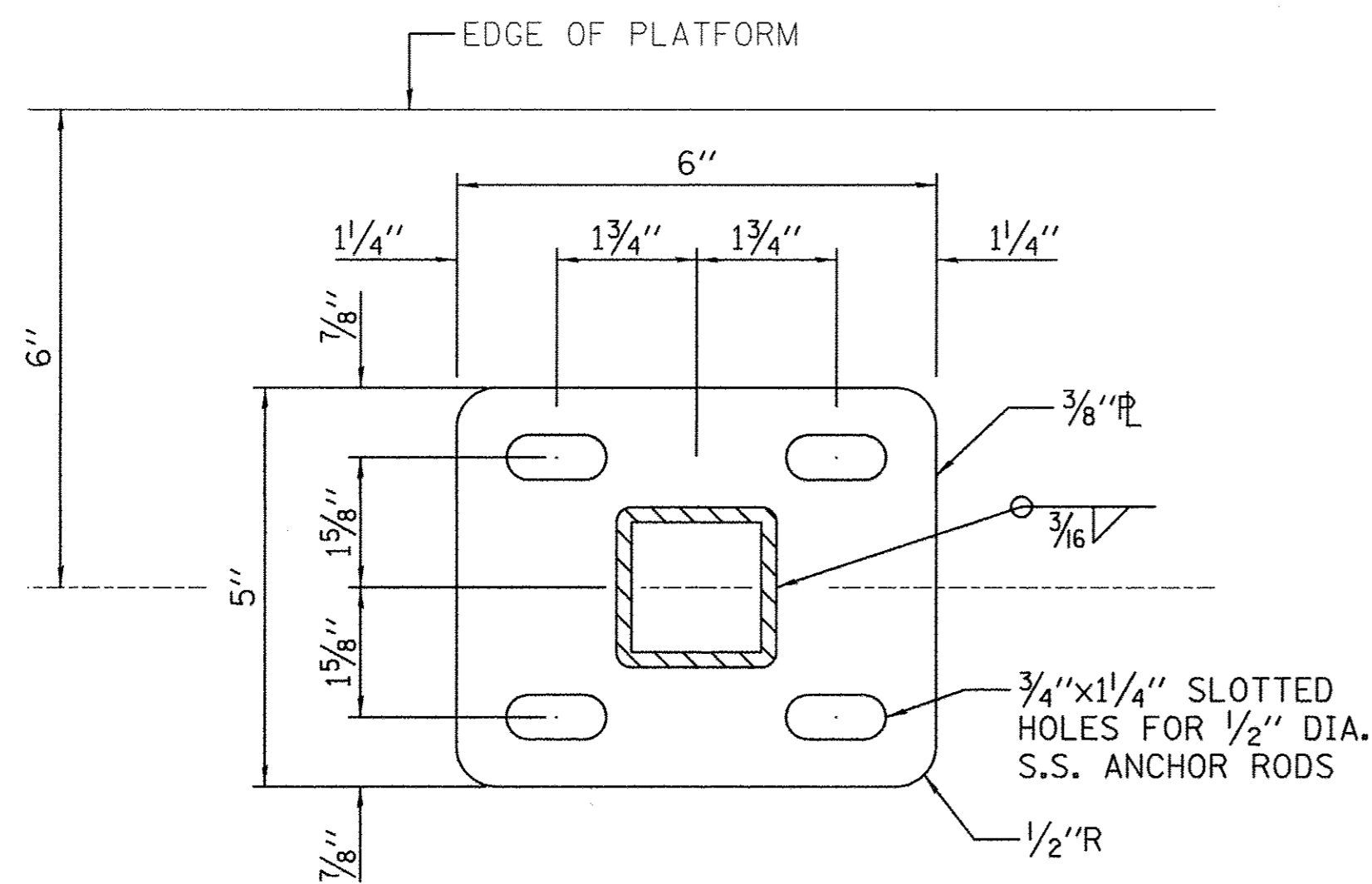


PERFORATED PANEL DETAIL

NOTE:
ALL POST, RAILING, SPLICES, ANCHOR DEVICES, AND PLATES SHALL BE GALVANIZED AND PAINTED. SEE SPECIAL PROVISIONS.

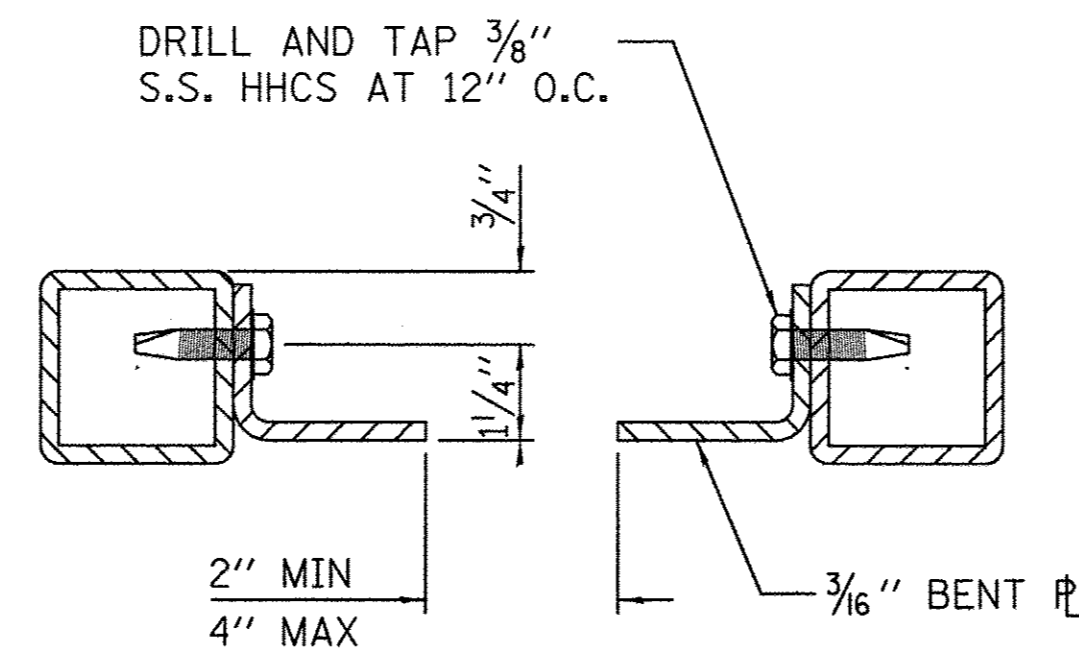


PERFORATED PANEL PLACEMENT AND PICKET SPACING



BASE PLATE

NOTE: PROVIDE MATCHING 1/8" THICK DUROMETER NEOPRENE GASKET UNDER BASE PL.



CLOSURE ANGLE



FILE NAME =	DESIGNED - S.M.M.	REVISED -
\$FILES	DRAWN - S.M.M.	REVISED -
PLOT DATE =	CHECKED - K.R.L.	REVISED -
3/16/2016 \$TIMES	DATE - MARCH 2016	REVISED -

DESIGNED - S.M.M.	REVISED -
DRAWN - S.M.M.	REVISED -
CHECKED - K.R.L.	REVISED -
DATE - MARCH 2016	REVISED -

STATE OF ILLINOIS
DEPARTMENT OF TRANSPORTATION

STRUCTURAL PLANS
PEDESTRIAN RAILING DETAILS AT TRANSIT PLATFORMS

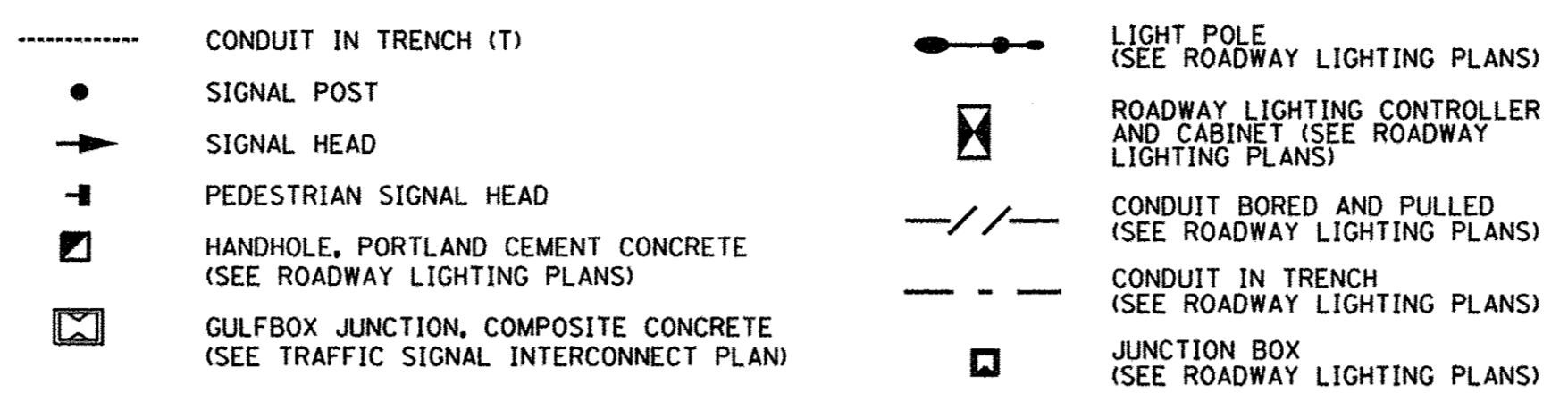
SCALE : NONE SHEET NO. 268 OF 412 SHEETS STA. TO STA.

F.A.U. RTE.	SECTION	COUNTY	TOTAL SHEETS	SHEET NO.
	15-00304-02-PV	CHAMPAIGN	412	268
MCORE PROJECT 3			CONTRACT NO. 91540	
JOB NO. C-95-306-16 ILLINOIS FED. AID PROJECT TIG-51810581				

NOTES:

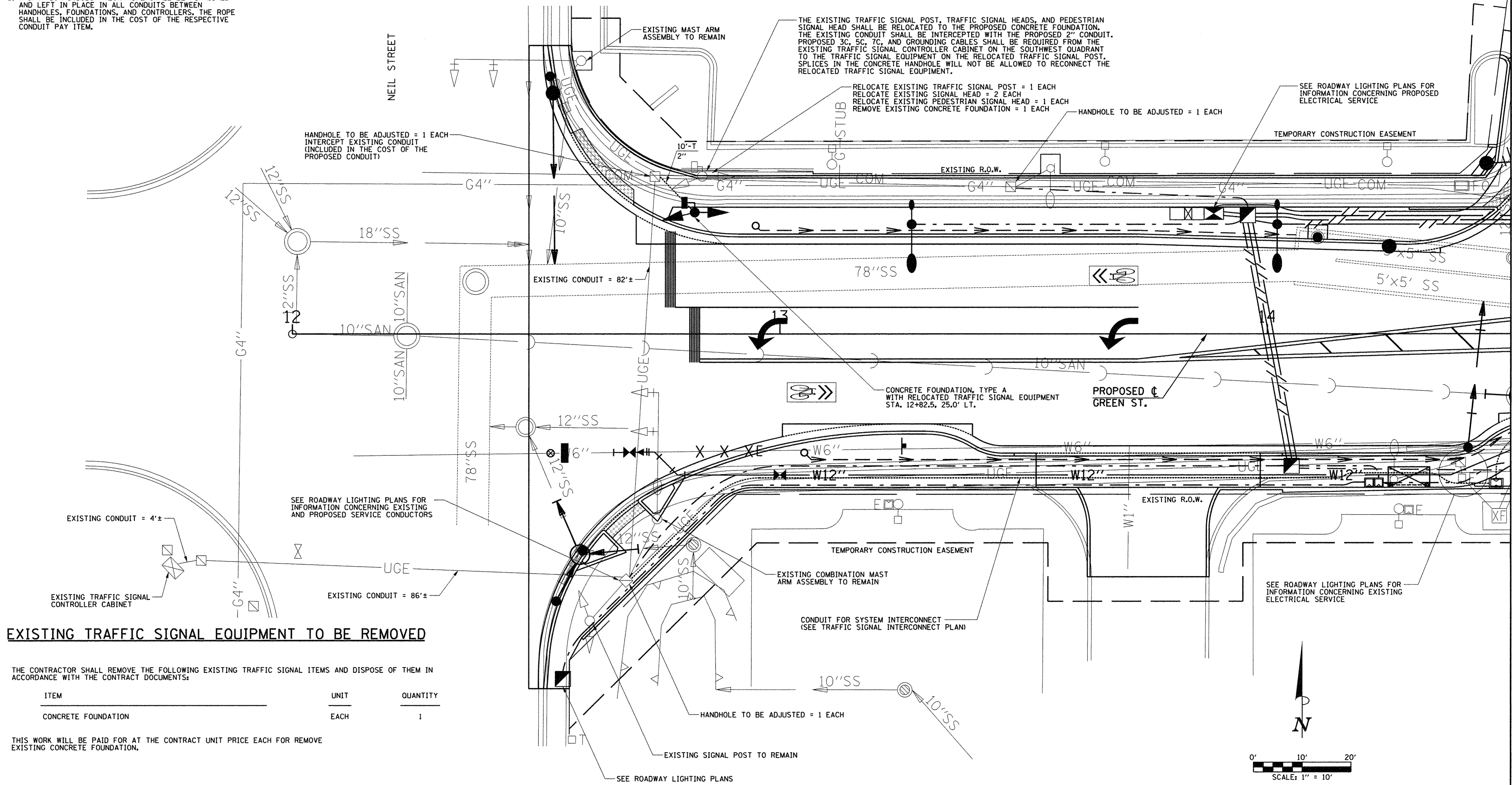
1. THE CONTRACTOR SHALL VERIFY THE LOCATION OF ALL UTILITIES PRIOR TO THE CONSTRUCTION OF ANY CONCRETE FOUNDATIONS.
2. FOR ELECTRICAL SERVICE INFORMATION, REFER TO THE ROADWAY LIGHTING PLANS AND THE TECHNICAL SPECIFICATIONS.
3. ALL EXCAVATIONS ADJACENT TO PROPOSED FOUNDATIONS SHALL BE COMPLETED AND BACKFILLED PRIOR TO CONSTRUCTING THE VARIOUS CONCRETE FOUNDATIONS. TRENCH BACKFILL MATERIAL OR CONTROLLED LOW STRENGTH MATERIAL SHALL BE BLOCKED OUT AT THE FOUNDATION LOCATIONS TO ALLOW FOR THEIR LATER CONSTRUCTION.
4. POST MOUNTED SIGNAL HEADS SHALL BE INSTALLED SUCH THAT NO PART OF THE SIGNAL HEAD IS WITHIN TWO (2) FEET OF THE FACE OF CURB.
5. A 1/4" CONTINUOUS NYLON ROPE SHALL BE FURNISHED AND LEFT IN PLACE IN ALL CONDUITS BETWEEN HANDHOLES, FOUNDATIONS, AND CONTROLLERS. THE ROPE SHALL BE INCLUDED IN THE COST OF THE RESPECTIVE CONDUIT PAY ITEM.

TRAFFIC SIGNAL LEGEND



BILL OF MATERIALS

ITEM	UNIT	QUANTITY
UNDERGROUND CONDUIT, PVC, 2" DIA.	FOOT	10
ELECTRIC CABLE IN CONDUIT, SIGNAL, NO. 14 3C	FOOT	230
ELECTRIC CABLE IN CONDUIT, SIGNAL, NO. 14 5C	FOOT	230
ELECTRIC CABLE IN CONDUIT, SIGNAL, NO. 14 7C	FOOT	230
ELECTRIC CABLE IN CONDUIT, EQUIPMENT GROUNDING CONDUCTOR, NO. 6 1C	FOOT	220
CONCRETE FOUNDATION, TYPE A	FOOT	4
RELOCATE EXISTING SIGNAL HEAD	EACH	2
RELOCATE EXISTING PEDESTRIAN SIGNAL HEAD	EACH	1
RELOCATE EXISTING TRAFFIC SIGNAL POST	EACH	1
REMOVE EXISTING CONCRETE FOUNDATION	EACH	1
HANDHOLE TO BE ADJUSTED	EACH	3



EXISTING TRAFFIC SIGNAL EQUIPMENT TO BE REMOVED

THE CONTRACTOR SHALL REMOVE THE FOLLOWING EXISTING TRAFFIC SIGNAL ITEMS AND DISPOSE OF THEM IN ACCORDANCE WITH THE CONTRACT DOCUMENTS:

ITEM	UNIT	QUANTITY
CONCRETE FOUNDATION	EACH	1

THIS WORK WILL BE PAID FOR AT THE CONTRACT UNIT PRICE EACH FOR REMOVE EXISTING CONCRETE FOUNDATION.



FILE NAME = p:\c0010720_mcore\plans\sheets\Project2\12-sht-signals.dgn
 PLOT DATE = 3/23/2016 4:56:32 PM

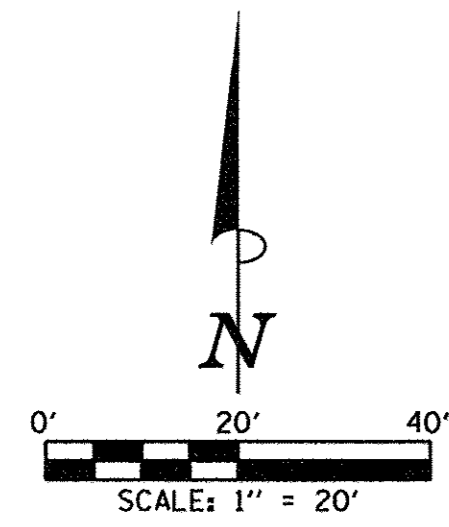
DESIGNED - A.O.A.	REVISED -
DRAWN - A.O.A.	REVISED -
CHECKED - CJD/JAJ	REVISED -
DATE - MARCH 2016	REVISED -

STATE OF ILLINOIS
 DEPARTMENT OF TRANSPORTATION

TRAFFIC SIGNAL PLANS - GREEN ST. & NEIL ST.
 TRAFFIC SIGNAL REMOVAL PLAN/TRAFFIC SIGNAL LAYOUT

SCALE: 1"=10' SHEET NO. 269 OF 412 SHEETS STA. TO STA.

F.A.U. RTE. 7126	SECTION 15-00304-00-PV	COUNTY CHAMPAIGN	TOTAL SHEETS 412	SHEET NO. 269
MCORE PROJECT 2			CONTRACT NO. 91540	
JOB NO. C-95-306-16 ILLINOIS FED. AID PROJECT TIG-518105B1				



KEY:
 (R) REMOVE AND DISPOSE OF
 (S) REMOVE AND SALVAGE

BILL OF MATERIALS

ITEM	UNIT	QUANTITY
REMOVE EXISTING HANDHOLE	EACH	3
REMOVE EXISTING CONCRETE FOUNDATION	EACH	6
REMOVE EXISTING TRAFFIC SIGNAL EQUIPMENT, SPECIAL	LUMP SUM	1

EXISTING TRAFFIC SIGNAL EQUIPMENT TO BE REMOVED

A. THE FOLLOWING EXISTING TRAFFIC SIGNAL EQUIPMENT SHALL BE REMOVED BY THE CONTRACTOR, SHALL REMAIN THE PROPERTY OF THE CITY OF CHAMPAIGN, AND SHALL BE MOVED TO AND STORED AT A LOCATION DESIGNATED BY THE ENGINEER FOR PICK-UP BY THE CITY'S FORCES:

ITEM	UNIT	QUANTITY
CONTROLLER IN CABINET (COMPLETE)	EACH	1
TRAFFIC SIGNAL POST	EACH	4
TRAFFIC SIGNAL POLE (WOOD)	EACH	1
SIGNAL HEAD	EACH	12
PEDESTRIAN SIGNAL HEAD	EACH	4

THIS WORK SHALL BE INCLUDED IN THE CONTRACT LUMP SUM PRICE OF REMOVE EXISTING TRAFFIC SIGNAL EQUIPMENT, SPECIAL, REMOVE OF INDIVIDUAL ITEMS WILL NOT BE PAID FOR SEPARATELY.

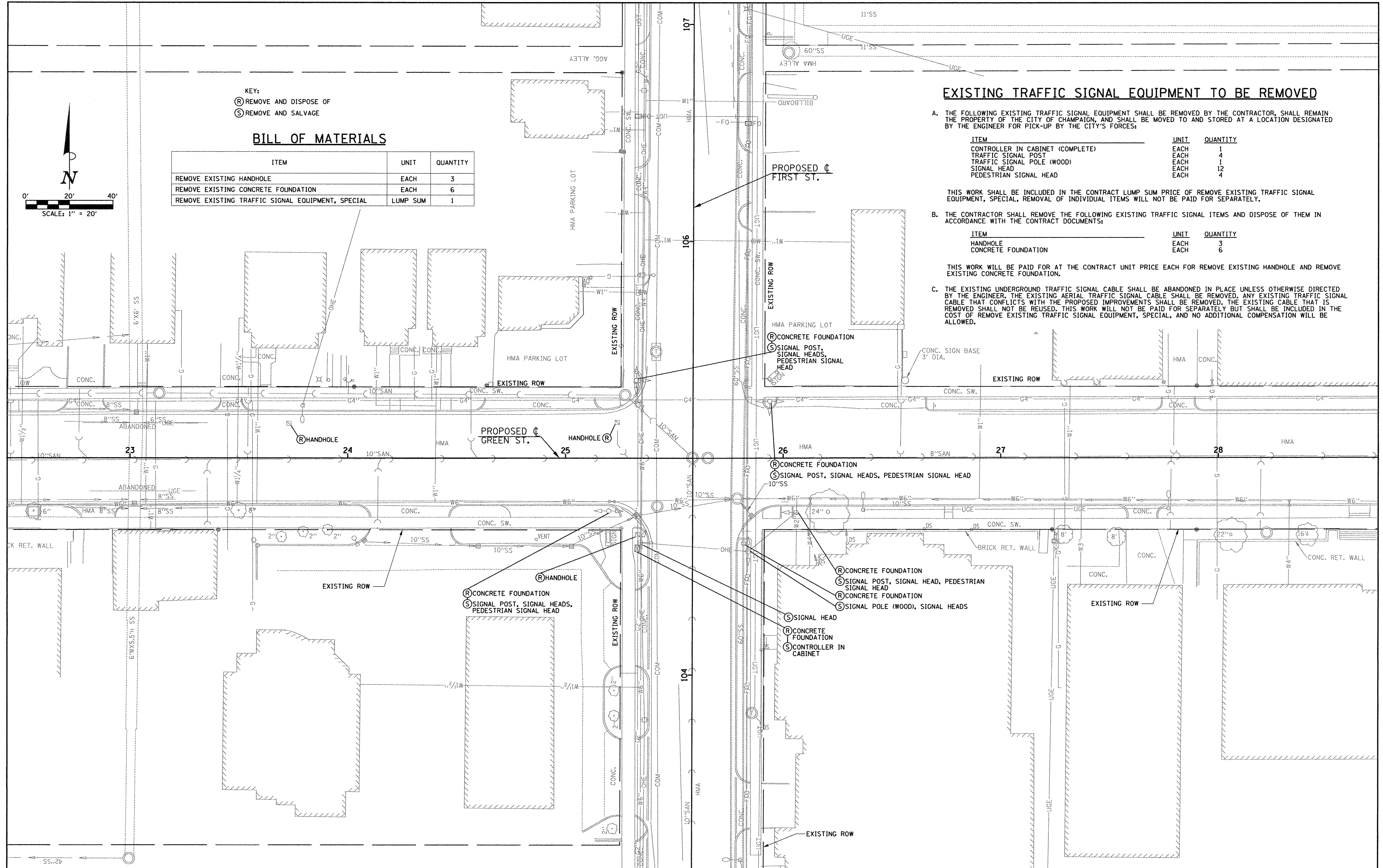
B. THE CONTRACTOR SHALL REMOVE THE FOLLOWING EXISTING TRAFFIC SIGNAL ITEMS AND DISPOSE OF THEM IN ACCORDANCE WITH THE CONTRACT DOCUMENTS:

ITEM	UNIT	QUANTITY
HANDHOLE	EACH	3
CONCRETE FOUNDATION	EACH	6

THIS WORK WILL BE PAID FOR AT THE CONTRACT UNIT PRICE EACH FOR REMOVE EXISTING HANDHOLE AND REMOVE EXISTING CONCRETE FOUNDATION.

C. THE EXISTING UNDERGROUND TRAFFIC SIGNAL CABLE SHALL BE ABANDONED IN PLACE UNLESS OTHERWISE DIRECTED BY THE ENGINEER. THE EXISTING AERIAL TRAFFIC SIGNAL CABLE SHALL BE REMOVED. ANY EXISTING TRAFFIC SIGNAL CABLE THAT CONFLICTS WITH THE PROPOSED IMPROVEMENTS SHALL BE REMOVED. THE EXISTING CABLE THAT IS REMOVED SHALL NOT BE REUSED. THIS WORK WILL NOT BE PAID FOR SEPARATELY BUT SHALL BE INCLUDED IN THE COST OF REMOVE EXISTING TRAFFIC SIGNAL EQUIPMENT, SPECIAL, AND NO ADDITIONAL COMPENSATION WILL BE ALLOWED.

The Doderick Group
Engineering Better Business



FILE NAME = p:\c0010720_mcore\plans\sheets\Project2\p2-sht-signals.dgn
 PLOT DATE = 3/23/2016 4:56:38 PM

DESIGNED - CJD	REVISED -
DRAWN - CJD	REVISED -
CHECKED - AOA/JAJ	REVISED -
DATE - MARCH 2016	REVISED -

STATE OF ILLINOIS
 DEPARTMENT OF TRANSPORTATION

TRAFFIC SIGNAL PLANS - GREEN ST. & FIRST ST.
 TRAFFIC SIGNAL REMOVAL PLAN

SCALE : 1"=20' SHEET NO. 270 OF 412 SHEETS STA. TO STA.

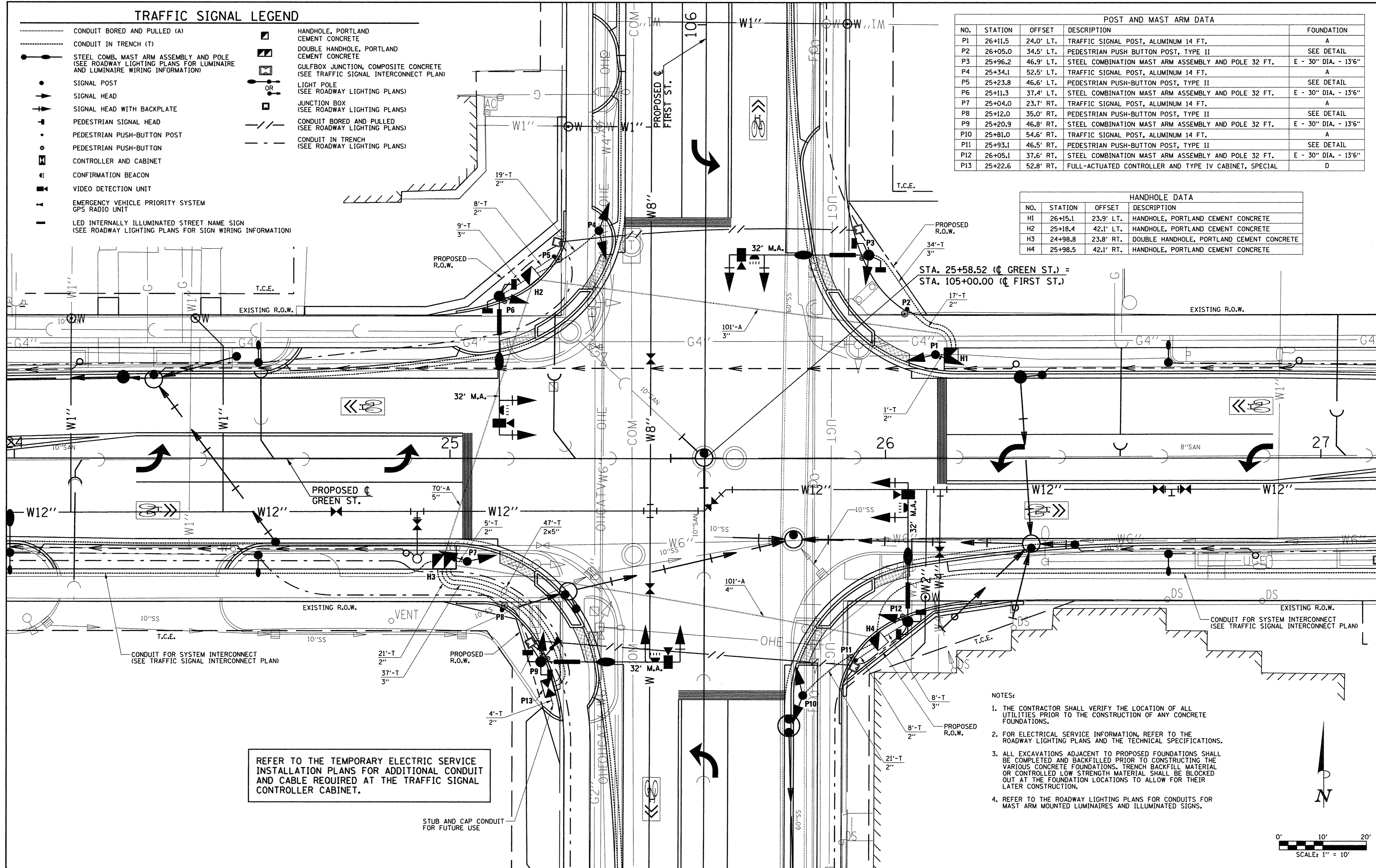
F.A.U. RTE.	SECTION	COUNTY	TOTAL SHEETS	SHEET NO.
7126	15-00304-02-PV	CHAMPAIGN	412	270
MCORE PROJECT 2		CONTRACT NO. 91540		
JOB NO. C-95-306-16 ILLINOIS FED. AID PROJECT TIG-5181(05B)				

TRAFFIC SIGNAL LEGEND

- | | | | |
|-------|--|-----|---|
| ----- | CONDUIT BORED AND PULLED (A) | □ | HANDHOLE, PORTLAND CEMENT CONCRETE |
| ----- | CONDUIT IN TRENCH (T) | □ | DOUBLE HANDHOLE, PORTLAND CEMENT CONCRETE |
| ● | STEEL COMB. MAST ARM ASSEMBLY AND POLE (SEE ROADWAY LIGHTING PLANS FOR LUMINAIRE AND LUMINAIRE WIRING INFORMATION) | □ | CULFBOX JUNCTION, COMPOSITE CONCRETE (SEE TRAFFIC SIGNAL INTERCONNECT PLAN) |
| ● | SIGNAL POST | ○ | LIGHT POLE (SEE ROADWAY LIGHTING PLANS) |
| → | SIGNAL HEAD | □ | JUNCTION BOX (SEE ROADWAY LIGHTING PLANS) |
| → | SIGNAL HEAD WITH BACKPLATE | --- | CONDUIT BORED AND PULLED (SEE ROADWAY LIGHTING PLANS) |
| → | PEDESTRIAN SIGNAL HEAD | --- | CONDUIT IN TRENCH (SEE ROADWAY LIGHTING PLANS) |
| → | PEDESTRIAN PUSH-BUTTON POST | | |
| → | PEDESTRIAN PUSH-BUTTON | | |
| □ | CONTROLLER AND CABINET | | |
| ⊕ | CONFIRMATION BEACON | | |
| ⊕ | VIDEO DETECTION UNIT | | |
| ⊕ | EMERGENCY VEHICLE PRIORITY SYSTEM GPS RADIO UNIT | | |
| ⊕ | LED INTERNALLY ILLUMINATED STREET NAME SIGN (SEE ROADWAY LIGHTING PLANS FOR SIGN WIRING INFORMATION) | | |

POST AND MAST ARM DATA				
NO.	STATION	OFFSET	DESCRIPTION	FOUNDATION
P1	26+11.5	24.0' LT.	TRAFFIC SIGNAL POST, ALUMINUM 14 FT.	A
P2	26+05.0	34.5' LT.	PEDESTRIAN PUSH BUTTON POST, TYPE II	SEE DETAIL
P3	25+96.2	46.9' LT.	STEEL COMBINATION MAST ARM ASSEMBLY AND POLE 32 FT.	E - 30" DIA. - 13'6"
P4	25+34.1	52.5' LT.	TRAFFIC SIGNAL POST, ALUMINUM 14 FT.	A
P5	25+23.8	46.6' LT.	PEDESTRIAN PUSH-BUTTON POST, TYPE II	SEE DETAIL
P6	25+11.3	37.4' LT.	STEEL COMBINATION MAST ARM ASSEMBLY AND POLE 32 FT.	E - 30" DIA. - 13'6"
P7	25+04.0	23.7' RT.	TRAFFIC SIGNAL POST, ALUMINUM 14 FT.	A
P8	25+12.0	35.0' RT.	PEDESTRIAN PUSH-BUTTON POST, TYPE II	SEE DETAIL
P9	25+20.9	46.8' RT.	STEEL COMBINATION MAST ARM ASSEMBLY AND POLE 32 FT.	E - 30" DIA. - 13'6"
P10	25+81.0	54.6' RT.	TRAFFIC SIGNAL POST, ALUMINUM 14 FT.	A
P11	25+93.1	46.5' RT.	PEDESTRIAN PUSH-BUTTON POST, TYPE II	SEE DETAIL
P12	26+05.1	37.6' RT.	STEEL COMBINATION MAST ARM ASSEMBLY AND POLE 32 FT.	E - 30" DIA. - 13'6"
P13	25+22.6	52.8' RT.	FULL-ACTUATED CONTROLLER AND TYPE IV CABINET, SPECIAL	D

HANDHOLE DATA			
NO.	STATION	OFFSET	DESCRIPTION
H1	26+15.1	23.9' LT.	HANDHOLE, PORTLAND CEMENT CONCRETE
H2	25+18.4	42.1' LT.	HANDHOLE, PORTLAND CEMENT CONCRETE
H3	24+98.8	23.8' RT.	DOUBLE HANDHOLE, PORTLAND CEMENT CONCRETE
H4	25+98.5	42.1' RT.	HANDHOLE, PORTLAND CEMENT CONCRETE



REFER TO THE TEMPORARY ELECTRIC SERVICE INSTALLATION PLANS FOR ADDITIONAL CONDUIT AND CABLE REQUIRED AT THE TRAFFIC SIGNAL CONTROLLER CABINET.

- NOTES:
1. THE CONTRACTOR SHALL VERIFY THE LOCATION OF ALL UTILITIES PRIOR TO THE CONSTRUCTION OF ANY CONCRETE FOUNDATIONS.
 2. FOR ELECTRICAL SERVICE INFORMATION, REFER TO THE ROADWAY LIGHTING PLANS AND THE TECHNICAL SPECIFICATIONS.
 3. ALL EXCAVATIONS ADJACENT TO PROPOSED FOUNDATIONS SHALL BE COMPLETED AND BACKFILLED PRIOR TO CONSTRUCTING THE VARIOUS CONCRETE FOUNDATIONS. TRENCH BACKFILL MATERIAL OR CONTROLLED LOW STRENGTH MATERIAL SHALL BE BLOCKED OUT AT THE FOUNDATION LOCATIONS TO ALLOW FOR THEIR LATER CONSTRUCTION.
 4. REFER TO THE ROADWAY LIGHTING PLANS FOR CONDUITS FOR MAST ARM MOUNTED LUMINAIRES AND ILLUMINATED SIGNS.



BILL OF MATERIALS

ITEM	UNIT	QUANTITY
UNDERGROUND CONDUIT, PVC, 2" DIA.	FOOT	107
UNDERGROUND CONDUIT, PVC, 3" DIA.	FOOT	189
UNDERGROUND CONDUIT, PVC, 4" DIA.	FOOT	101
UNDERGROUND CONDUIT, PVC, 5" DIA.	FOOT	164
HANDHOLE, PORTLAND CEMENT CONCRETE	EACH	3
DOUBLE HANDHOLE, PORTLAND CEMENT CONCRETE	EACH	1
ELECTRIC CABLE IN CONDUIT, SIGNAL, NO. 14 2C	FOOT	1460
ELECTRIC CABLE IN CONDUIT, SIGNAL, NO. 14 3C	FOOT	3240
ELECTRIC CABLE IN CONDUIT, SIGNAL, NO. 14 5C	FOOT	2400
ELECTRIC CABLE IN CONDUIT, SIGNAL, NO. 14 7C	FOOT	1660
ELECTRIC CABLE IN CONDUIT, EQUIPMENT GROUNDING CONDUCTOR, NO. 6 1C	FOOT	640
TRAFFIC SIGNAL POST, ALUMINUM 14 FT.	EACH	4
PEDESTRIAN PUSH-BUTTON POST, TYPE II	EACH	4
STEEL COMBINATION MAST ARM ASSEMBLY AND POLE 32 FT.	EACH	4
CONCRETE FOUNDATION, TYPE A	FOOT	20
CONCRETE FOUNDATION, TYPE D	FOOT	4
CONCRETE FOUNDATION, TYPE E 30-INCH DIAMETER	FOOT	54
SIGNAL HEAD, POLYCARBONATE, LED, 1-FACE, 3-SECTION, BRACKET MOUNTED	EACH	8
SIGNAL HEAD, POLYCARBONATE, LED, 1-FACE, 3-SECTION, MAST ARM MOUNTED	EACH	4
SIGNAL HEAD, POLYCARBONATE, LED, 1-FACE, 5-SECTION, BRACKET MOUNTED	EACH	4
SIGNAL HEAD, POLYCARBONATE, LED, 1-FACE, 5-SECTION, MAST ARM MOUNTED	EACH	4
PEDESTRIAN SIGNAL HEAD, POLYCARBONATE, LED, 1-FACE, BRACKET MOUNTED WITH COUNTDOWN TIMER	EACH	8
TRAFFIC SIGNAL BACKPLATE	EACH	8
CONFIRMATION BEACON	EACH	4
WIDE AREA VIDEO DETECTION SYSTEM COMPLETE	EACH	1
LED INTERNALLY ILLUMINATED STREET NAME SIGN	EACH	4
FULL-ACTUATED CONTROLLER AND TYPE IV CABINET, SPECIAL	EACH	1
ACCESSIBLE PEDESTRIAN SIGNALS	EACH	8
EMERGENCY VEHICLE PRIORITY SYSTEM	EACH	1

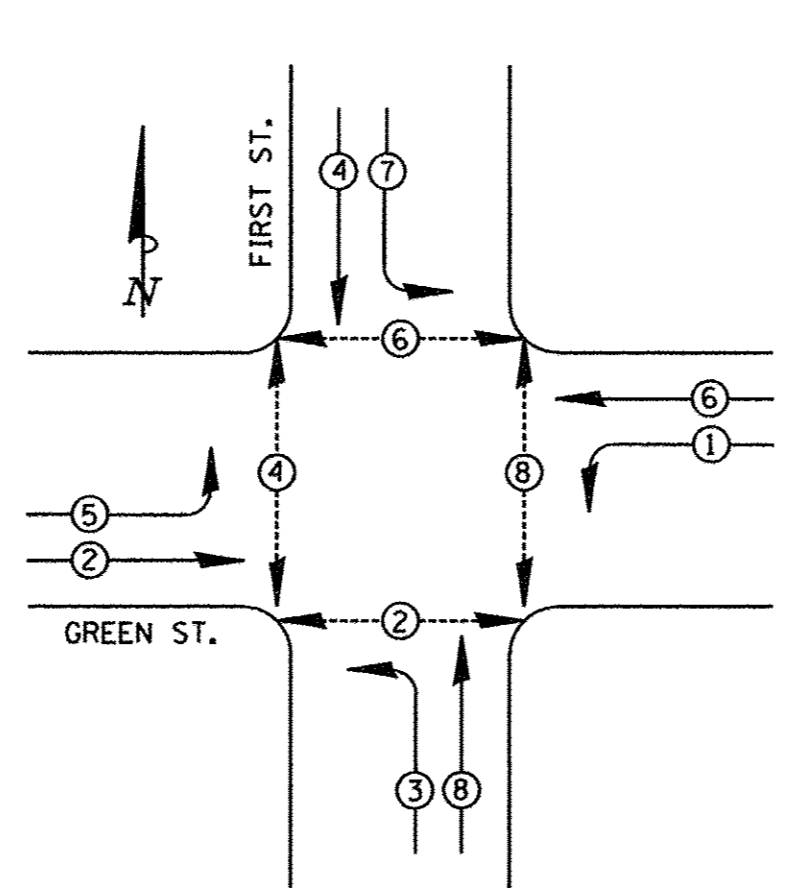
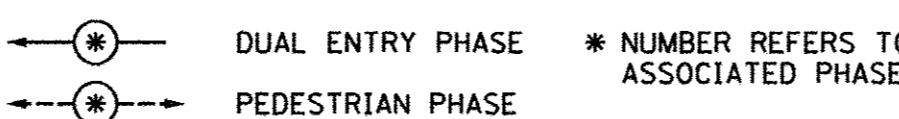
• SEE TECHNICAL SPECIFICATIONS FOR SYSTEM GROUNDING INFORMATION.

TRAFFIC SIGNAL GENERAL NOTES

- THE ACTUAL LOCATIONS OF ALL SIGNAL FOUNDATIONS, HANDHOLES, AND THE TRAFFIC SIGNAL CONTROLLER WILL BE VERIFIED IN THE FIELD BY THE ENGINEER.
- POST MOUNTED SIGNAL HEADS SHALL BE INSTALLED SUCH THAT NO PART OF THE SIGNAL HEAD IS WITHIN TWO (2) FEET OF THE FACE OF CURB. MAST ARM POLES SHALL BE PLACED SUCH THAT A MINIMUM DISTANCE OF SIX (6) FEET IS MAINTAINED BETWEEN THE CENTER OF THE POLE AND THE FACE OF CURB (ON THE MAST ARM SIDE).
- BRACKET MOUNTED SIGNAL HEADS SHALL BE MOUNTED WITH BLACK POLYCARBONATE BRACKETS FASTENED TO THE POLE OR POST WITH STAINLESS STEEL BANDS.
- 12" LENSES SHALL BE USED ON ALL SIGNAL FACES.
- THE LUMINAIRE ARM, LUMINAIRE POLE WIRING, AND LUMINAIRE SHALL BE ERECTED WITH THE TRAFFIC SIGNAL MAST ARM POLE. REFER TO THE ROADWAY LIGHTING PLANS FOR LUMINAIRE TYPE AND QUANTITY.
- MAST ARM FOUNDATIONS SHALL INCLUDE A SEPARATE STUB AND CAP FOR ROADWAY LIGHTING CABLE. ROADWAY LIGHTING CABLE AND TRAFFIC SIGNAL CABLE SHALL NOT SHARE THE SAME CONDUIT. REFER TO THE ROADWAY LIGHTING PLANS FOR ADDITIONAL INFORMATION.
- THE CONTRACTOR SHALL VERIFY THE EXACT LOCATION OF ALL UNDERGROUND UTILITIES PRIOR TO BEGINNING CONSTRUCTION.
- A 1/4" CONTINUOUS NYLON ROPE SHALL BE FURNISHED AND LEFT IN PLACE IN ALL CONDUITS BETWEEN HANDHOLES, FOUNDATIONS, AND CONTROLLERS. THE ROPE SHALL BE INCLUDED IN THE COST OF THE RESPECTIVE CONDUIT PAY ITEM.
- THE TRAFFIC SIGNAL CONTROLLER AND THE TRAFFIC SIGNAL EQUIPMENT SHALL RECEIVE POWER FROM THE PROPOSED ROADWAY LIGHTING CONTROLLER LOCATED ON THE NORTHWEST QUADRANT OF GREEN STREET AND LOCUST STREET. FOR ELECTRICAL SERVICE INFORMATION, REFER TO THE ROADWAY LIGHTING PLANS AND THE TECHNICAL SPECIFICATIONS.
- THE TRAFFIC SIGNAL CONTROLLER SHALL BE ORIENTED SUCH THAT INTERSECTION OPERATION AND CONTROLLER COMPONENTS CAN BE VIEWED SIMULTANEOUSLY.
- THE CONTRACTOR SHALL FURNISH THE CONTROLLER CABINET WITH THE CONTROLLER AND ALL PERIPHERAL EQUIPMENT. THE CONTRACTOR SHALL DELIVER THE ASSEMBLED CONTROLLER CABINET WITH CONTROLLER TO THE CITY OF CHAMPAIGN FOR CONTROLLER PROGRAMMING PURPOSES. THE CONTRACTOR SHALL PICK UP THE ASSEMBLED CONTROLLER CABINET WITH CONTROLLER UPON NOTIFICATION OF THE CITY OF CHAMPAIGN OR ENGINEER.
- ALL NECESSARY CONNECTIONS FOR PROPER OPERATION OF THE LED INTERNALLY ILLUMINATED STREET NAME SIGNS SHALL BE INCLUDED IN THE COST OF THE LED INTERNALLY ILLUMINATED STREET NAME SIGNS. THE ELECTRIC CABLE WILL BE PAID FOR SEPARATELY. REFER TO THE ROADWAY LIGHTING PLANS FOR ADDITIONAL INFORMATION.
- THE CONTRACTOR SHALL FURNISH AND INSTALL THE LED INTERNALLY ILLUMINATED STREET NAME SIGNS AS SHOWN IN THE PLANS. THE CONTRACTOR SHALL SUBMIT THE NECESSARY SHOP DRAWINGS FOR APPROVAL PRIOR TO ORDERING OF MATERIALS. THIS WORK SHALL BE INCLUDED IN THE COST OF THE LED INTERNALLY ILLUMINATED STREET NAME SIGNS.
- ALL NECESSARY CONNECTIONS FOR PROPER OPERATION OF THE EMERGENCY VEHICLE PRIORITY SYSTEM AND ALL GPS INSTALLATION CABLE SHALL BE INCLUDED IN THE COST OF THE EMERGENCY VEHICLE PRIORITY SYSTEM. THE GPS INSTALLATION CABLE SHALL BE A CONTINUOUS UNBROKEN RUN FROM THE VIDEO CAMERA TO THE VIDEO DETECTION PROCESSOR. SPLICES IN THE GPS INSTALLATION CABLE SHALL NOT BE ALLOWED. THE CONFIRMATION BEACONS WILL BE PAID FOR SEPARATELY.
- ALL NECESSARY CONNECTIONS FOR PROPER OPERATION OF THE WIDE AREA VIDEO DETECTION SYSTEM AND ALL PIGTAIL AND COAXIAL CABLES SHALL BE INCLUDED IN THE COST OF THE WIDE AREA VIDEO DETECTION SYSTEM COMPLETE. THE COAXIAL CABLE SHALL BE A CONTINUOUS UNBROKEN RUN FROM THE VIDEO CAMERA TO THE VIDEO DETECTION PROCESSOR. SPLICES IN THE COAXIAL CABLE SHALL NOT BE ALLOWED. THE 3C POWER CABLE WILL BE PAID FOR SEPARATELY.
- A PEDESTRIAN PUSH-BUTTON SIGN SHALL BE MOUNTED ABOVE EACH PEDESTRIAN PUSH-BUTTON. THE SIGNS SHALL BE FURNISHED AND INSTALLED WITH THE ACCESSIBLE PEDESTRIAN SIGNALS BY THE CONTRACTOR.
- THE CONCRETE FOUNDATION FOR THE PEDESTRIAN PUSH-BUTTON POST SHALL BE INCLUDED IN THE COST OF THE PEDESTRIAN PUSH-BUTTON POST, TYPE II.
- ALL CONCRETE FOUNDATIONS SHALL MATCH THE COLOR OF THE PROPOSED PCC SIDEWALK. REFER TO THE TECHNICAL SPECIFICATIONS FOR ADDITIONAL INFORMATION.

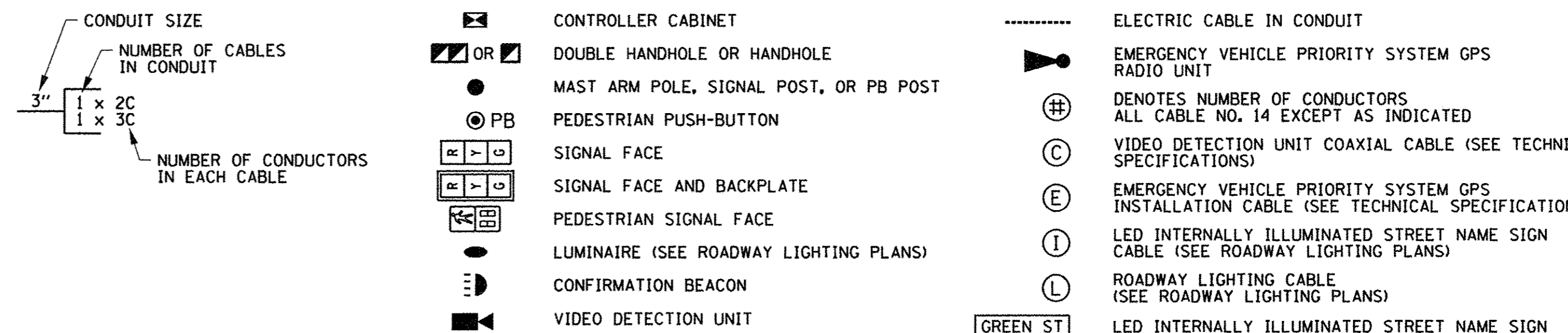
PHASE DESIGNATION DIAGRAM

PHASE DESIGNATION DIAGRAM LEGEND

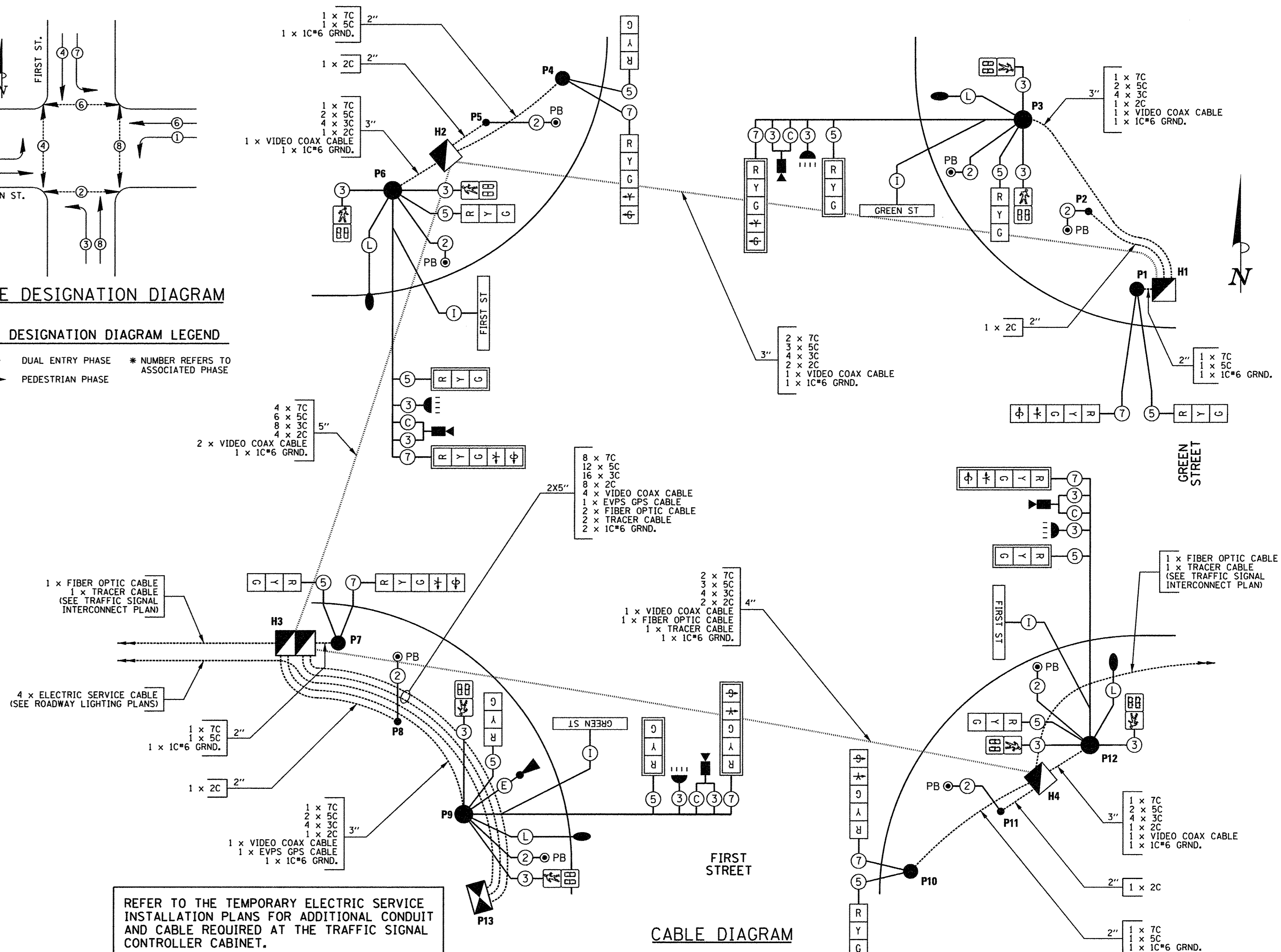


CABLE DIAGRAM

CABLE DIAGRAM LEGEND



REFER TO THE TEMPORARY ELECTRIC SERVICE INSTALLATION PLANS FOR ADDITIONAL CONDUIT AND CABLE REQUIRED AT THE TRAFFIC SIGNAL CONTROLLER CABINET.



FILE NAME = p:\c0010720_mcore\plans\sheet\Project2\p2-sht-signals.dgn
 PLOT DATE = 3/23/2016 4:56:35 PM

DESIGNED - A.O.A.	REVISED -
DRAWN - A.O.A.	REVISED -
CHECKED - CJD/JAJ	REVISED -
DATE - MARCH 2016	REVISED -

STATE OF ILLINOIS
DEPARTMENT OF TRANSPORTATION

TRAFFIC SIGNAL PLANS - GREEN ST. & FIRST ST.
CABLE DIAGRAM / PHASE DESIGNATION DIAGRAM /
TRAFFIC SIGNAL GENERAL NOTES / BILL OF MATERIALS

SCALE : NONE SHEET NO. 272 OF 412 SHEETS STA. TO STA.

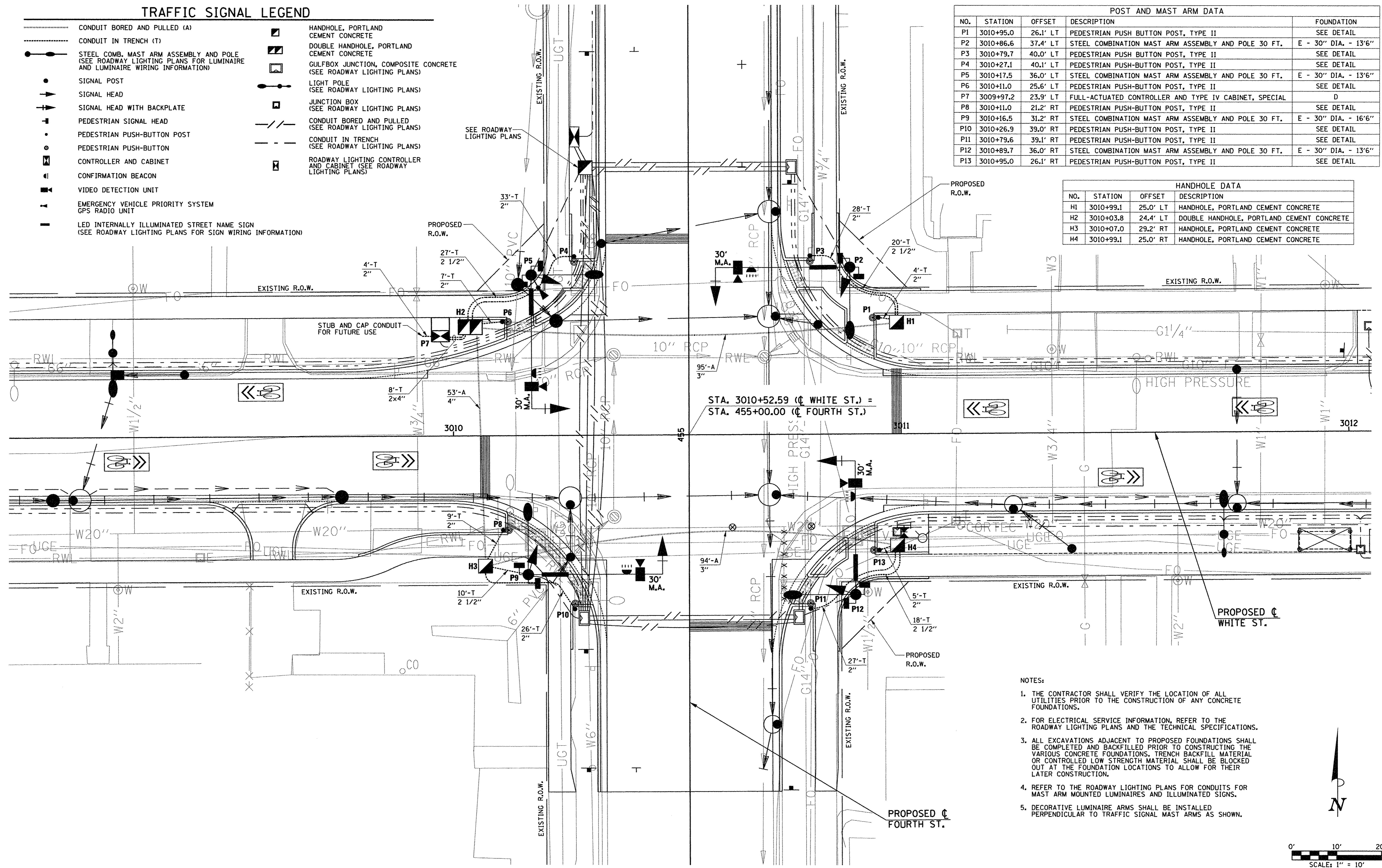
F.A.U. RTE.	SECTION	COUNTY	TOTAL SHEETS	SHEET NO.
7126	15-00304-02-PV	CHAMPAIGN	412	272
MCORE PROJECT 2			CONTRACT NO. 91540	
JOB NO. C-95-306-16			ILLINOIS FED. AID PROJECT TIG-5181(05B)	

TRAFFIC SIGNAL LEGEND

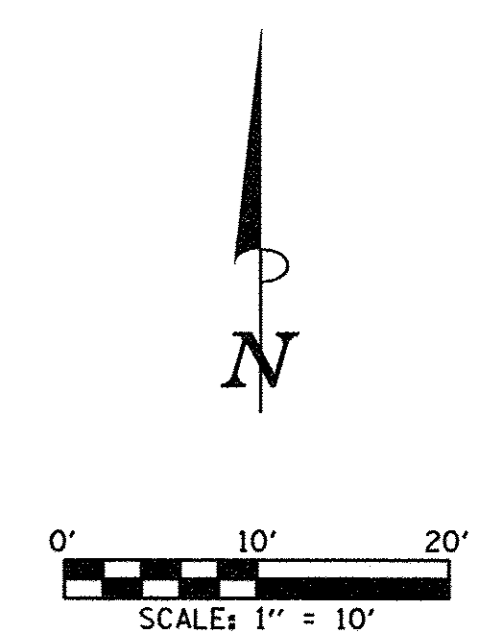
.....	CONDUIT BORED AND PULLED (A)	□	HANDHOLE, PORTLAND CEMENT CONCRETE
-----	CONDUIT IN TRENCH (T)	▣	DOUBLE HANDHOLE, PORTLAND CEMENT CONCRETE
●	STEEL COMB. MAST ARM ASSEMBLY AND POLE (SEE ROADWAY LIGHTING PLANS FOR LUMINAIRE AND LUMINAIRE WIRING INFORMATION)	□	GULFBOX JUNCTION, COMPOSITE CONCRETE (SEE ROADWAY LIGHTING PLANS)
○	SIGNAL POST	○	LIGHT POLE (SEE ROADWAY LIGHTING PLANS)
○	SIGNAL HEAD	□	JUNCTION BOX (SEE ROADWAY LIGHTING PLANS)
○	SIGNAL HEAD WITH BACKPLATE	---	CONDUIT BORED AND PULLED (SEE ROADWAY LIGHTING PLANS)
○	PEDESTRIAN SIGNAL HEAD	---	CONDUIT IN TRENCH (SEE ROADWAY LIGHTING PLANS)
○	PEDESTRIAN PUSH-BUTTON POST	⊠	ROADWAY LIGHTING CONTROLLER AND CABINET (SEE ROADWAY LIGHTING PLANS)
○	PEDESTRIAN PUSH-BUTTON	⊠	ROADWAY LIGHTING CONTROLLER AND CABINET (SEE ROADWAY LIGHTING PLANS)
⊠	CONTROLLER AND CABINET		
⊠	CONFIRMATION BEACON		
⊠	VIDEO DETECTION UNIT		
⊠	EMERGENCY VEHICLE PRIORITY SYSTEM GPS RADIO UNIT		
⊠	LED INTERNALLY ILLUMINATED STREET NAME SIGN (SEE ROADWAY LIGHTING PLANS FOR SIGN WIRING INFORMATION)		

POST AND MAST ARM DATA				
NO.	STATION	OFFSET	DESCRIPTION	FOUNDATION
P1	3010+95.0	26.1' LT	PEDESTRIAN PUSH BUTTON POST, TYPE II	SEE DETAIL
P2	3010+86.6	37.4' LT	STEEL COMBINATION MAST ARM ASSEMBLY AND POLE 30 FT.	E - 30" DIA. - 13'6"
P3	3010+79.7	40.0' LT	PEDESTRIAN PUSH BUTTON POST, TYPE II	SEE DETAIL
P4	3010+27.1	40.1' LT	PEDESTRIAN PUSH-BUTTON POST, TYPE II	SEE DETAIL
P5	3010+17.5	36.0' LT	STEEL COMBINATION MAST ARM ASSEMBLY AND POLE 30 FT.	E - 30" DIA. - 13'6"
P6	3010+11.0	25.6' LT	PEDESTRIAN PUSH-BUTTON POST, TYPE II	SEE DETAIL
P7	3009+97.2	23.9' LT	FULL-ACTUATED CONTROLLER AND TYPE IV CABINET, SPECIAL	D
P8	3010+11.0	21.2' RT	PEDESTRIAN PUSH-BUTTON POST, TYPE II	SEE DETAIL
P9	3010+16.5	31.2' RT	STEEL COMBINATION MAST ARM ASSEMBLY AND POLE 30 FT.	E - 30" DIA. - 16'6"
P10	3010+26.9	39.0' RT	PEDESTRIAN PUSH-BUTTON POST, TYPE II	SEE DETAIL
P11	3010+79.6	39.1' RT	PEDESTRIAN PUSH-BUTTON POST, TYPE II	SEE DETAIL
P12	3010+89.7	36.0' RT	STEEL COMBINATION MAST ARM ASSEMBLY AND POLE 30 FT.	E - 30" DIA. - 13'6"
P13	3010+95.0	26.1' RT	PEDESTRIAN PUSH-BUTTON POST, TYPE II	SEE DETAIL

HANDHOLE DATA				
NO.	STATION	OFFSET	DESCRIPTION	
H1	3010+99.1	25.0' LT	HANDHOLE, PORTLAND CEMENT CONCRETE	
H2	3010+03.8	24.4' LT	DOUBLE HANDHOLE, PORTLAND CEMENT CONCRETE	
H3	3010+07.0	29.2' RT	HANDHOLE, PORTLAND CEMENT CONCRETE	
H4	3010+99.1	25.0' RT	HANDHOLE, PORTLAND CEMENT CONCRETE	



- NOTES:
1. THE CONTRACTOR SHALL VERIFY THE LOCATION OF ALL UTILITIES PRIOR TO THE CONSTRUCTION OF ANY CONCRETE FOUNDATIONS.
 2. FOR ELECTRICAL SERVICE INFORMATION, REFER TO THE ROADWAY LIGHTING PLANS AND THE TECHNICAL SPECIFICATIONS.
 3. ALL EXCAVATIONS ADJACENT TO PROPOSED FOUNDATIONS SHALL BE COMPLETED AND BACKFILLED PRIOR TO CONSTRUCTING THE VARIOUS CONCRETE FOUNDATIONS. TRENCH BACKFILL MATERIAL OR CONTROLLED LOW STRENGTH MATERIAL SHALL BE BLOCKED OUT AT THE FOUNDATION LOCATIONS TO ALLOW FOR THEIR LATER CONSTRUCTION.
 4. REFER TO THE ROADWAY LIGHTING PLANS FOR CONDUITS FOR MAST ARM MOUNTED LUMINAIRES AND ILLUMINATED SIGNS.
 5. DECORATIVE LUMINAIRE ARMS SHALL BE INSTALLED PERPENDICULAR TO TRAFFIC SIGNAL MAST ARMS AS SHOWN.



The Roderick Group
Engineering
Better Business™

FILE NAME = p:\c0010720_mcore\plans\sheets\Project3\PS-sht-signals.dgn
PLOT DATE = 4/25/2016 9:49:26 AM

DESIGNED - LYC	REVISED -
DRAWN - LYC	REVISED -
CHECKED - CJD/JAJ	REVISED -
DATE - MARCH 2016	REVISED -

STATE OF ILLINOIS
DEPARTMENT OF TRANSPORTATION

TRAFFIC SIGNAL PLANS - WHITE ST. & FOURTH ST.
TRAFFIC SIGNAL LAYOUT

SCALE: 1"=10' SHEET NO. 273 OF 412 SHEETS STA. TO STA.

F.A.U. RTE.	SECTION	COUNTY	TOTAL SHEETS	SHEET NO.
	15-00304-02-PV	CHAMPAIGN	412	273
MCORE PROJECT 3		CONTRACT NO. 91540		
JOB NO. C-95-306-16 ILLINOIS FED. AID PROJECT TIG-518105B1				

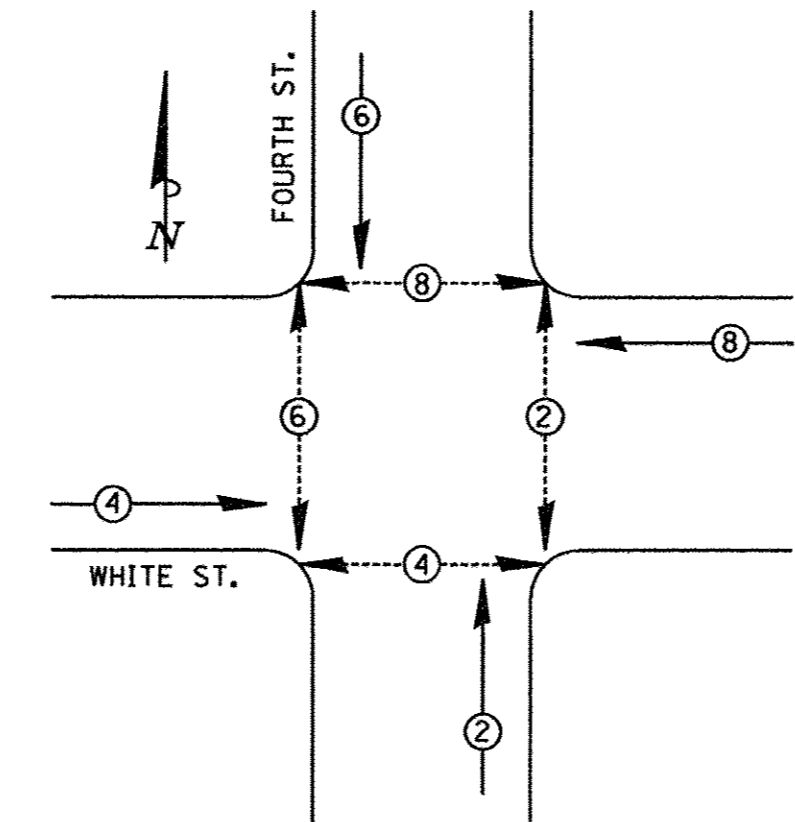
BILL OF MATERIALS

ITEM	UNIT	QUANTITY
UNDERGROUND CONDUIT, PVC, 2" DIA.	FOOT	143
UNDERGROUND CONDUIT, PVC, 2 1/2" DIA.	FOOT	75
UNDERGROUND CONDUIT, PVC, 3" DIA.	FOOT	189
UNDERGROUND CONDUIT, PVC, 4" DIA.	FOOT	69
HANDHOLE, PORTLAND CEMENT CONCRETE	EACH	3
DOUBLE HANDHOLE, PORTLAND CEMENT CONCRETE	EACH	1
ELECTRIC CABLE IN CONDUIT, SIGNAL, NO. 14 2C	FOOT	1105
ELECTRIC CABLE IN CONDUIT, SIGNAL, NO. 14 3C	FOOT	1830
ELECTRIC CABLE IN CONDUIT, SIGNAL, NO. 14 5C	FOOT	1290
ELECTRIC CABLE IN CONDUIT, EQUIPMENT GROUNDING CONDUCTOR, NO. 6 1C	FOOT	430
PEDESTRIAN PUSH-BUTTON POST, TYPE II	EACH	8
STEEL COMBINATION MAST ARM ASSEMBLY AND POLE 30 FT.	EACH	4
CONCRETE FOUNDATION, TYPE D	FOOT	4
CONCRETE FOUNDATION, TYPE E 30-INCH DIAMETER	FOOT	57
SIGNAL HEAD, POLYCARBONATE, LED, 1-FACE, 3-SECTION, BRACKET MOUNTED	EACH	4
SIGNAL HEAD, POLYCARBONATE, LED, 1-FACE, 3-SECTION, MAST ARM MOUNTED	EACH	4
PEDESTRIAN SIGNAL HEAD, POLYCARBONATE, LED, 1-FACE, BRACKET MOUNTED WITH COUNTDOWN TIMER	EACH	8
TRAFFIC SIGNAL BACKPLATE	EACH	4
CONFIRMATION BEACON	EACH	4
WIDE AREA VIDEO DETECTION SYSTEM COMPLETE	EACH	1
LED INTERNALLY ILLUMINATED STREET NAME SIGN	EACH	4
FULL-ACTUATED CONTROLLER AND TYPE IV CABINET, SPECIAL	EACH	1
ACCESSIBLE PEDESTRIAN SIGNALS	EACH	8
EMERGENCY VEHICLE PRIORITY SYSTEM	EACH	1

SEE TECHNICAL SPECIFICATIONS FOR SYSTEM GROUNDING INFORMATION.

TRAFFIC SIGNAL GENERAL NOTES

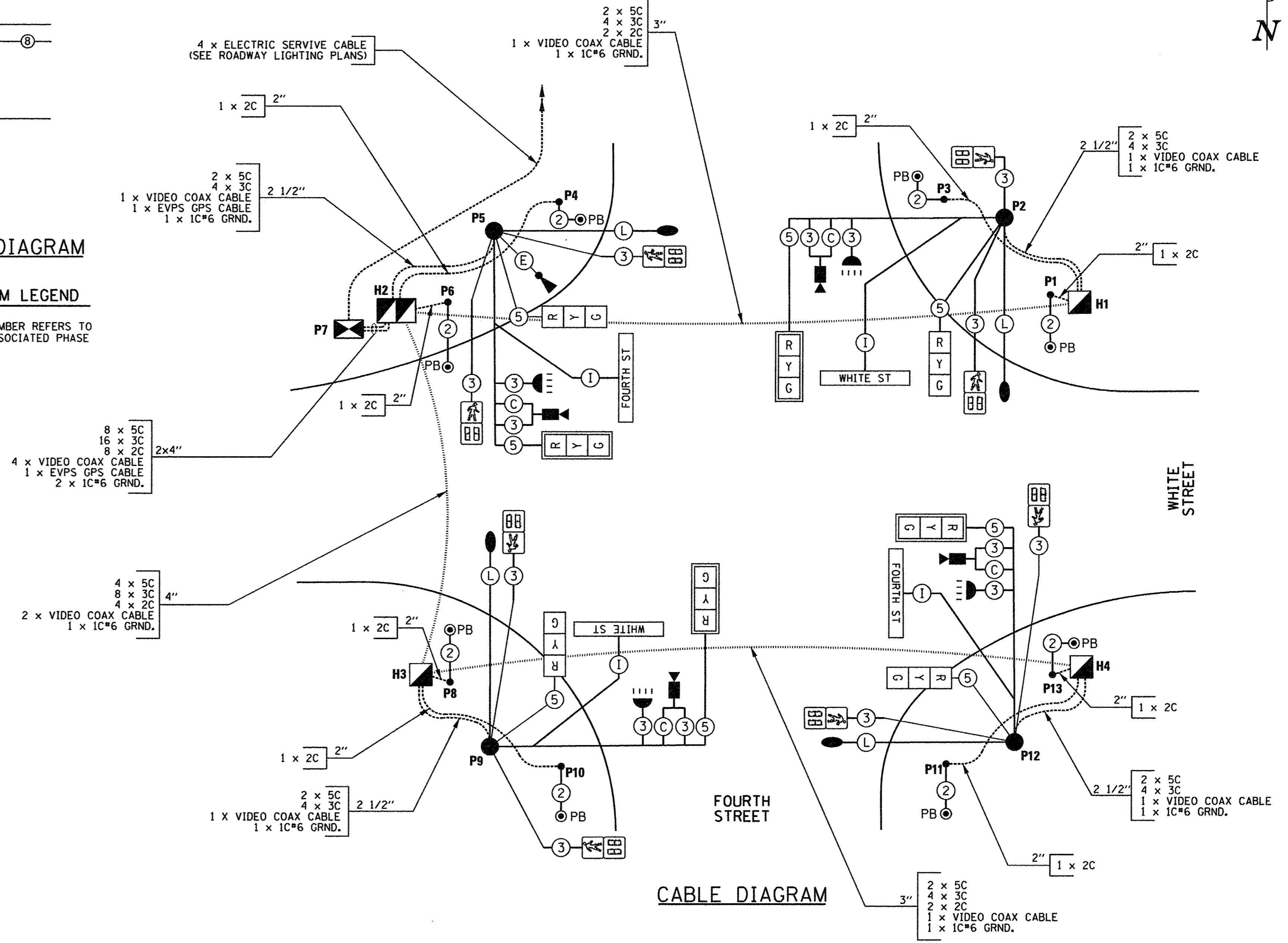
- THE ACTUAL LOCATIONS OF ALL SIGNAL FOUNDATIONS, HANDHOLES, AND THE TRAFFIC SIGNAL CONTROLLER WILL BE VERIFIED IN THE FIELD BY THE ENGINEER.
- POST MOUNTED SIGNAL HEADS SHALL BE INSTALLED SUCH THAT NO PART OF THE SIGNAL HEAD IS WITHIN TWO (2) FEET OF THE FACE OF CURB. MAST ARM POLES SHALL BE PLACED SUCH THAT A MINIMUM DISTANCE OF SIX (6) FEET IS MAINTAINED BETWEEN THE CENTER OF THE POLE AND THE FACE OF CURB (ON THE MAST ARM SIDE).
- BRACKET MOUNTED SIGNAL HEADS SHALL BE MOUNTED WITH BLACK POLYCARBONATE BRACKETS FASTENED TO THE POLE OR POST WITH STAINLESS STEEL BANDS.
- 12" LENSES SHALL BE USED ON ALL SIGNAL FACES.
- THE LUMINAIRE ARM, LUMINAIRE POLE WIRING, AND LUMINAIRE SHALL BE ERECTED WITH THE TRAFFIC SIGNAL MAST ARM POLE. REFER TO THE ROADWAY LIGHTING PLANS FOR LUMINAIRE TYPE AND QUANTITY.
- MAST ARM FOUNDATIONS SHALL INCLUDE A SEPARATE STUB AND CAP FOR ROADWAY LIGHTING CABLE. ROADWAY LIGHTING CABLE AND TRAFFIC SIGNAL CABLE SHALL NOT SHARE THE SAME CONDUIT. REFER TO THE ROADWAY LIGHTING PLANS FOR ADDITIONAL INFORMATION.
- THE CONTRACTOR SHALL VERIFY THE EXACT LOCATION OF ALL UNDERGROUND UTILITIES PRIOR TO BEGINNING CONSTRUCTION.
- A 1/4" CONTINUOUS NYLON ROPE SHALL BE FURNISHED AND LEFT IN PLACE IN ALL CONDUITS BETWEEN HANDHOLES, FOUNDATIONS, AND CONTROLLERS. THE ROPE SHALL BE INCLUDED IN THE COST OF THE RESPECTIVE CONDUIT PAY ITEM.
- THE TRAFFIC SIGNAL CONTROLLER AND THE TRAFFIC SIGNAL EQUIPMENT SHALL RECEIVE POWER FROM THE PROPOSED ROADWAY LIGHTING CONTROLLER LOCATED ON THE NORTHWEST QUADRANT OF WHITE STREET AND FOURTH STREET. FOR ELECTRICAL SERVICE INFORMATION, REFER TO THE ROADWAY LIGHTING PLANS AND THE TECHNICAL SPECIFICATIONS.
- THE TRAFFIC SIGNAL CONTROLLER SHALL BE ORIENTED SUCH THAT INTERSECTION OPERATION AND CONTROLLER COMPONENTS CAN BE VIEWED SIMULTANEOUSLY.
- THE CONTRACTOR SHALL FURNISH THE CONTROLLER CABINET WITH THE CONTROLLER AND ALL PERIPHERAL EQUIPMENT. THE CONTRACTOR SHALL DELIVER THE ASSEMBLED CONTROLLER CABINET WITH CONTROLLER TO THE CITY OF CHAMPAIGN FOR CONTROLLER PROGRAMMING PURPOSES. THE CONTRACTOR SHALL PICK UP THE ASSEMBLED CONTROLLER CABINET WITH CONTROLLER UPON NOTIFICATION OF THE CITY OF CHAMPAIGN OR ENGINEER.
- ALL NECESSARY CONNECTIONS FOR PROPER OPERATION OF THE LED INTERNALLY ILLUMINATED STREET NAME SIGNS SHALL BE INCLUDED IN THE COST OF THE LED INTERNALLY ILLUMINATED STREET NAME SIGNS. THE ELECTRIC CABLE WILL BE PAID FOR SEPARATELY. REFER TO THE ROADWAY LIGHTING PLANS FOR ADDITIONAL INFORMATION.
- THE CONTRACTOR SHALL FURNISH AND INSTALL THE LED INTERNALLY ILLUMINATED STREET NAME SIGNS AS SHOWN IN THE PLANS. THE CONTRACTOR SHALL SUBMIT THE NECESSARY SHOP DRAWINGS FOR APPROVAL PRIOR TO ORDERING OF MATERIALS. THIS WORK SHALL BE INCLUDED IN THE COST OF THE LED INTERNALLY ILLUMINATED STREET NAME SIGNS.
- ALL NECESSARY CONNECTIONS FOR PROPER OPERATION OF THE EMERGENCY VEHICLE PRIORITY SYSTEM AND ALL GPS INSTALLATION CABLE SHALL BE INCLUDED IN THE COST OF THE EMERGENCY VEHICLE PRIORITY SYSTEM. THE GPS INSTALLATION CABLE SHALL BE A CONTINUOUS UNBROKEN RUN FROM THE GPS RADIO UNIT TO THE PHASE SELECTOR. SPLICES IN THE GPS INSTALLATION CABLE SHALL NOT BE ALLOWED. THE CONFIRMATION BEACONS WILL BE PAID FOR SEPARATELY.
- ALL NECESSARY CONNECTIONS FOR PROPER OPERATION OF THE WIDE AREA VIDEO DETECTION SYSTEM AND ALL PIGTAIL AND COAXIAL CABLES SHALL BE INCLUDED IN THE COST OF THE WIDE AREA VIDEO DETECTION SYSTEM COMPLETE. THE COAXIAL CABLE SHALL BE A CONTINUOUS UNBROKEN RUN FROM THE VIDEO CAMERA TO THE VIDEO DETECTION PROCESSOR. SPLICES IN THE COAXIAL CABLE SHALL NOT BE ALLOWED. THE 3C POWER CABLE WILL BE PAID FOR SEPARATELY.
- A PEDESTRIAN PUSH-BUTTON SIGN SHALL BE MOUNTED ABOVE EACH PEDESTRIAN PUSH-BUTTON. THE SIGNS SHALL BE FURNISHED AND INSTALLED WITH THE ACCESSIBLE PEDESTRIAN SIGNALS BY THE CONTRACTOR.
- THE CONCRETE FOUNDATION FOR THE PEDESTRIAN PUSH-BUTTON POST SHALL BE INCLUDED IN THE COST OF THE PEDESTRIAN PUSH-BUTTON POST, TYPE II.
- ALL CONCRETE FOUNDATIONS SHALL MATCH THE COLOR OF THE PROPOSED PCC SIDEWALK. REFER TO THE TECHNICAL SPECIFICATIONS FOR ADDITIONAL INFORMATION.



PHASE DESIGNATION DIAGRAM

PHASE DESIGNATION DIAGRAM LEGEND

- (*) DUAL ENTRY PHASE * NUMBER REFERS TO ASSOCIATED PHASE
- (*) PEDESTRIAN PHASE



CABLE DIAGRAM

CABLE DIAGRAM LEGEND

- CONDUIT SIZE
- NUMBER OF CABLES IN CONDUIT
- NUMBER OF CONDUCTORS IN EACH CABLE
- CONTROLLER CABINET
- DOUBLE HANDHOLE OR HANDHOLE
- MAST ARM POLE, SIGNAL POST, OR PB POST
- PEDESTRIAN PUSH-BUTTON
- SIGNAL FACE
- SIGNAL FACE AND BACKPLATE
- PEDESTRIAN SIGNAL FACE
- LUMINAIRE (SEE ROADWAY LIGHTING PLANS)
- CONFIRMATION BEACON
- VIDEO DETECTION UNIT
- ELECTRIC CABLE IN CONDUIT
- EMERGENCY VEHICLE PRIORITY SYSTEM GPS RADIO UNIT
- ⊕ DENOTES NUMBER OF CONDUCTORS ALL CABLE NO. 14 EXCEPT AS INDICATED
- (C) VIDEO DETECTION UNIT COAXIAL CABLE (SEE TECHNICAL SPECIFICATIONS)
- (E) EMERGENCY VEHICLE PRIORITY SYSTEM GPS INSTALLATION CABLE (SEE TECHNICAL SPECIFICATIONS)
- (I) LED INTERNALLY ILLUMINATED STREET NAME SIGN CABLE (SEE ROADWAY LIGHTING PLANS)
- (L) ROADWAY LIGHTING CABLE (SEE ROADWAY LIGHTING PLANS)
- WHITE ST LED INTERNALLY ILLUMINATED STREET NAME SIGN

The Doderick Group
Engineering
Traffic Solutions

FILE NAME = p:\c0010720_mcore\plans\sheets\Project3\P3-sht-signals.dgn
PLOT DATE = 4/25/2016 9:49:27 AM

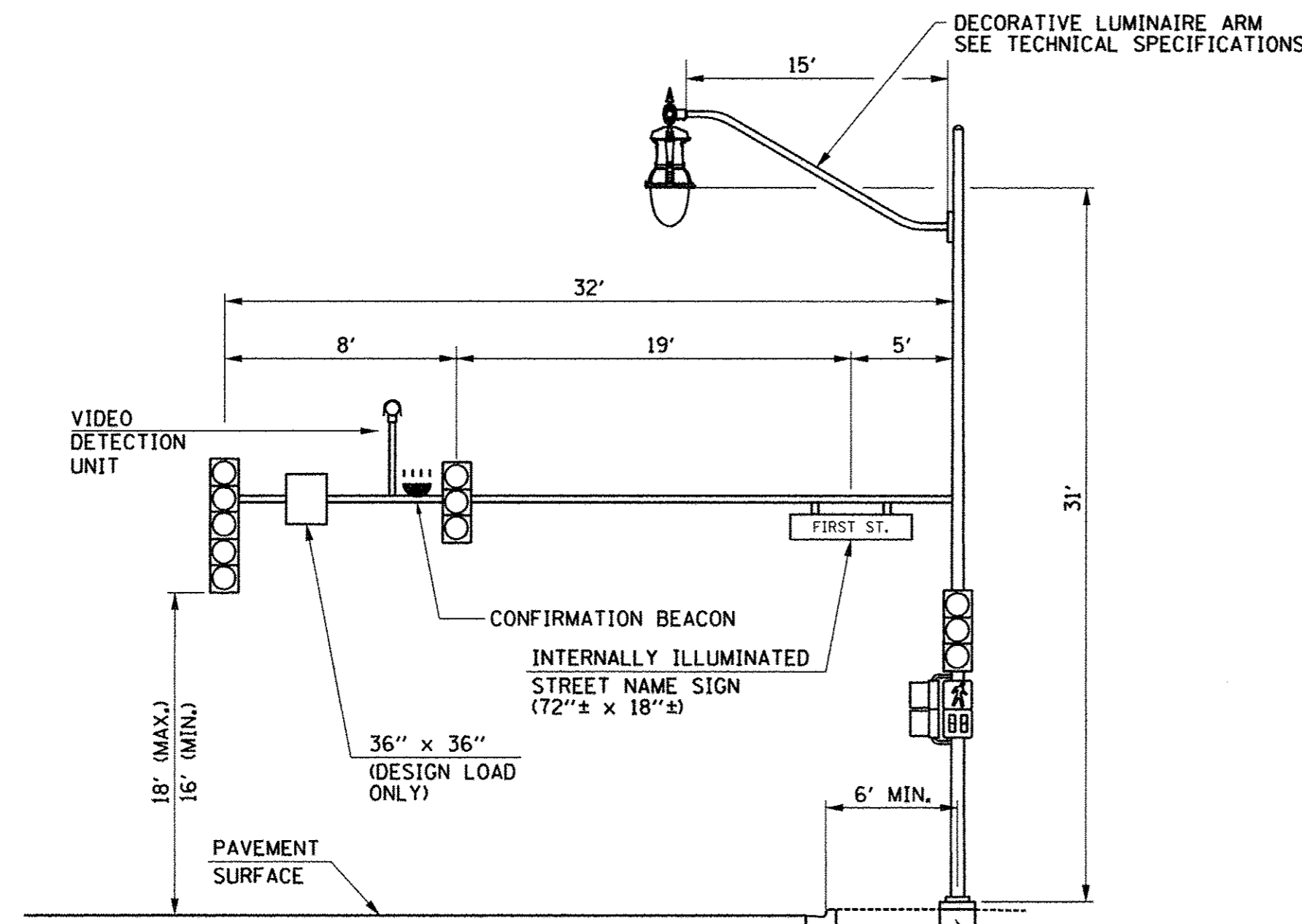
DESIGNED - LYC	REVISED -
DRAWN - LYC	REVISED -
CHECKED - CJD/JAJ	REVISED -
DATE - MARCH 2016	REVISED -

STATE OF ILLINOIS
DEPARTMENT OF TRANSPORTATION

TRAFFIC SIGNAL PLANS - WHITE ST. & FOURTH ST.
CABLE DIAGRAM / PHASE DESIGNATION DIAGRAM /
TRAFFIC SIGNAL GENERAL NOTES / BILL OF MATERIALS

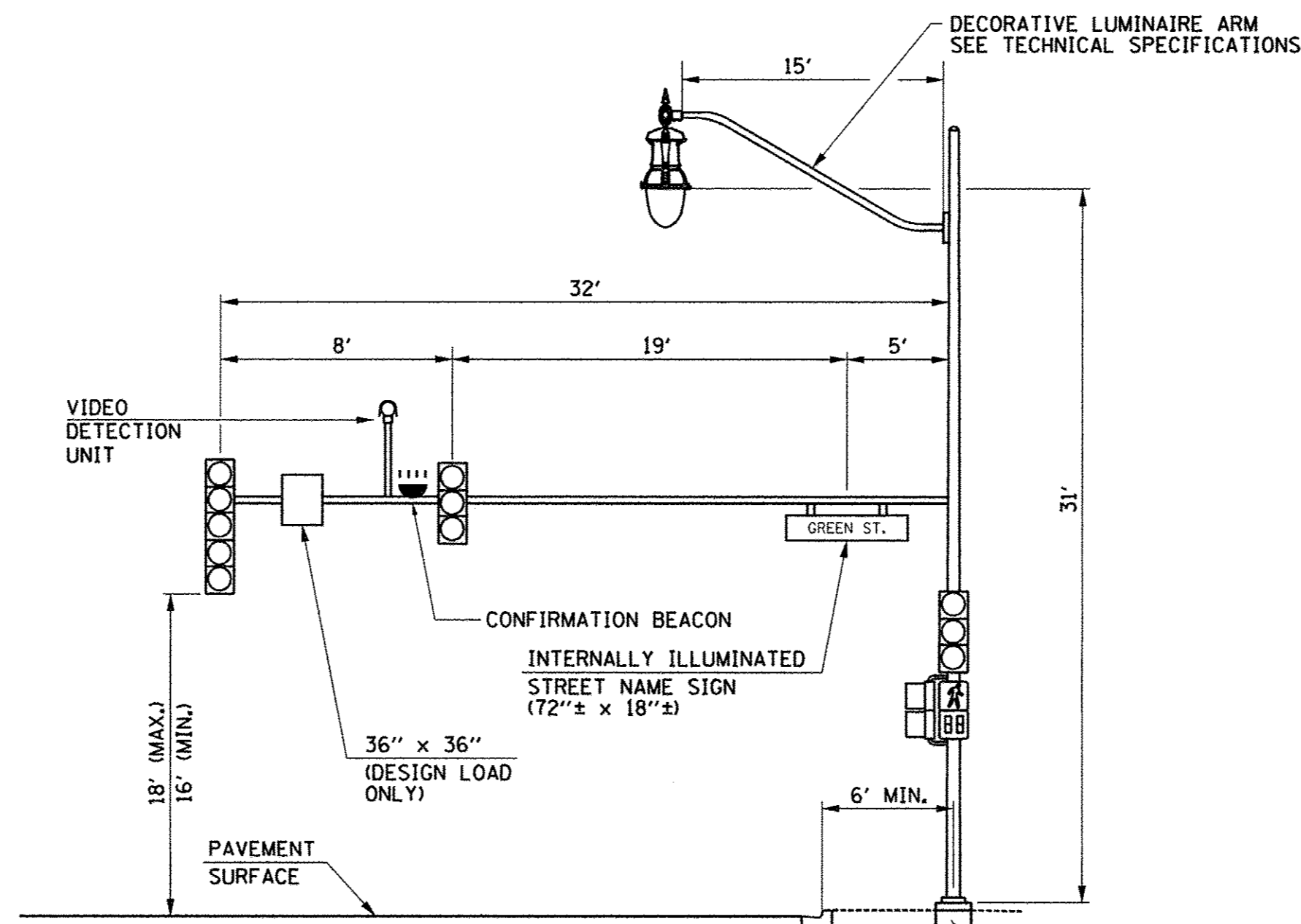
SCALE : NONE SHEET NO. 274 OF 412 SHEETS STA. TO STA.

F.A.U. RTE.	SECTION	COUNTY	TOTAL SHEETS	SHEET NO.
	15-00304-02-PV	CHAMPAIGN	412	274
MCORE PROJECT 3		CONTRACT NO. 91540		
JOB NO. C-95-306-16 ILLINOIS FED. AID PROJECT TIG-51810581				



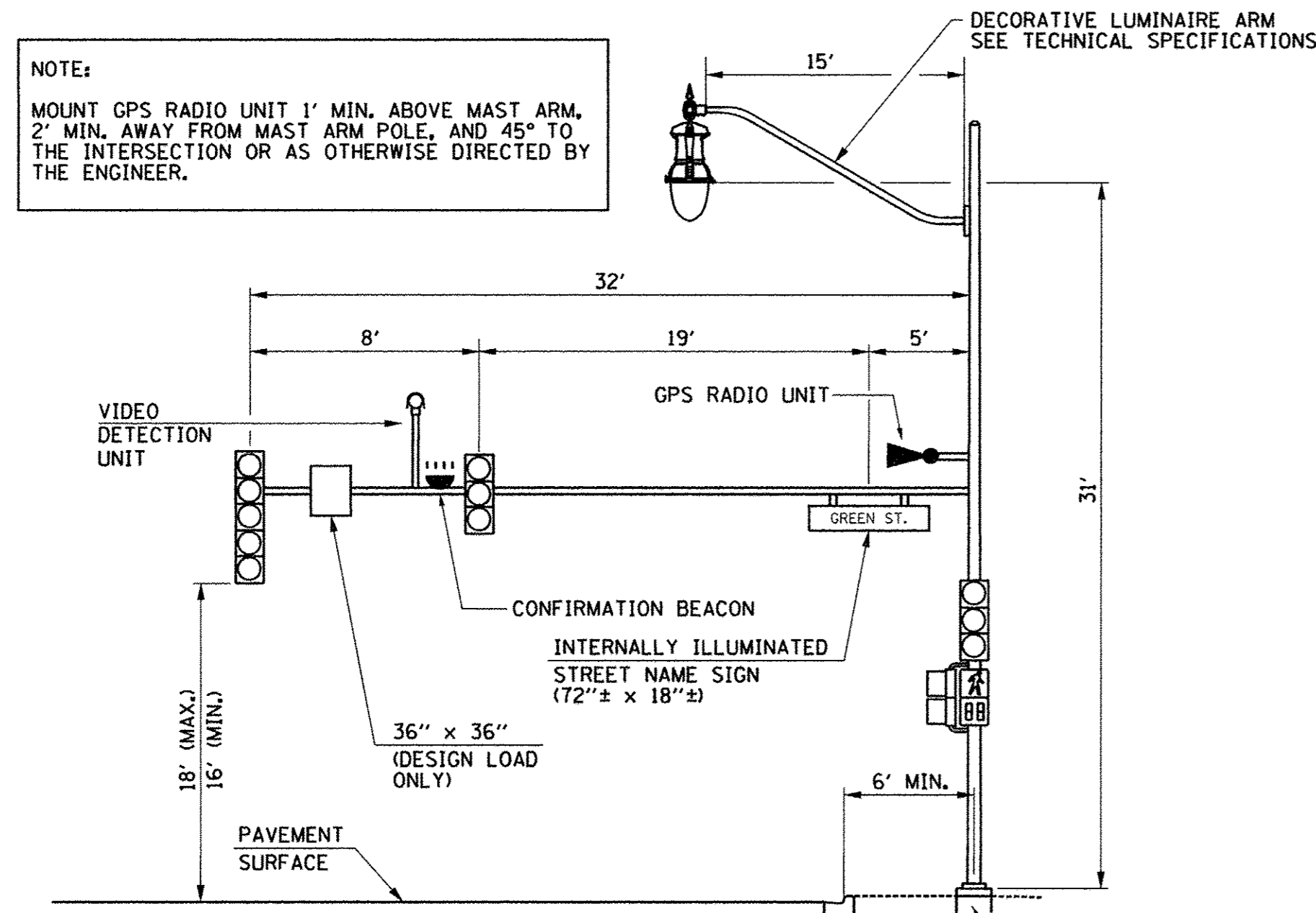
MAST ARM LOADING DIAGRAM
GREEN STREET AND FIRST STREET
NORTHWEST QUADRANT (LOOKING WEST)

SEE STANDARD 877001 FOR ADDITIONAL MAST ARM DESIGN LOADING REQUIREMENTS



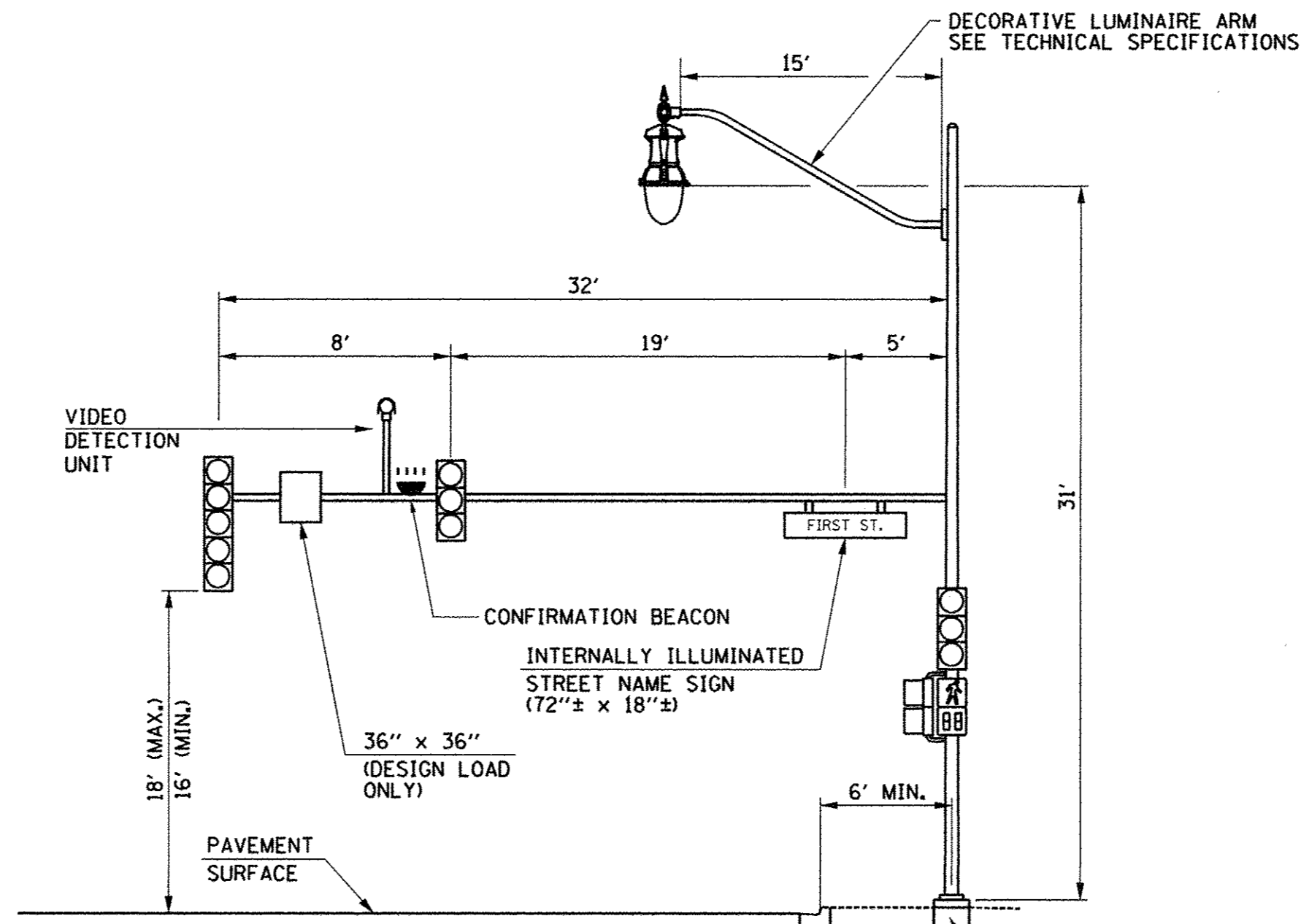
MAST ARM LOADING DIAGRAM
GREEN STREET AND FIRST STREET
NORTHEAST QUADRANT (LOOKING NORTH)

SEE STANDARD 877001 FOR ADDITIONAL MAST ARM DESIGN LOADING REQUIREMENTS



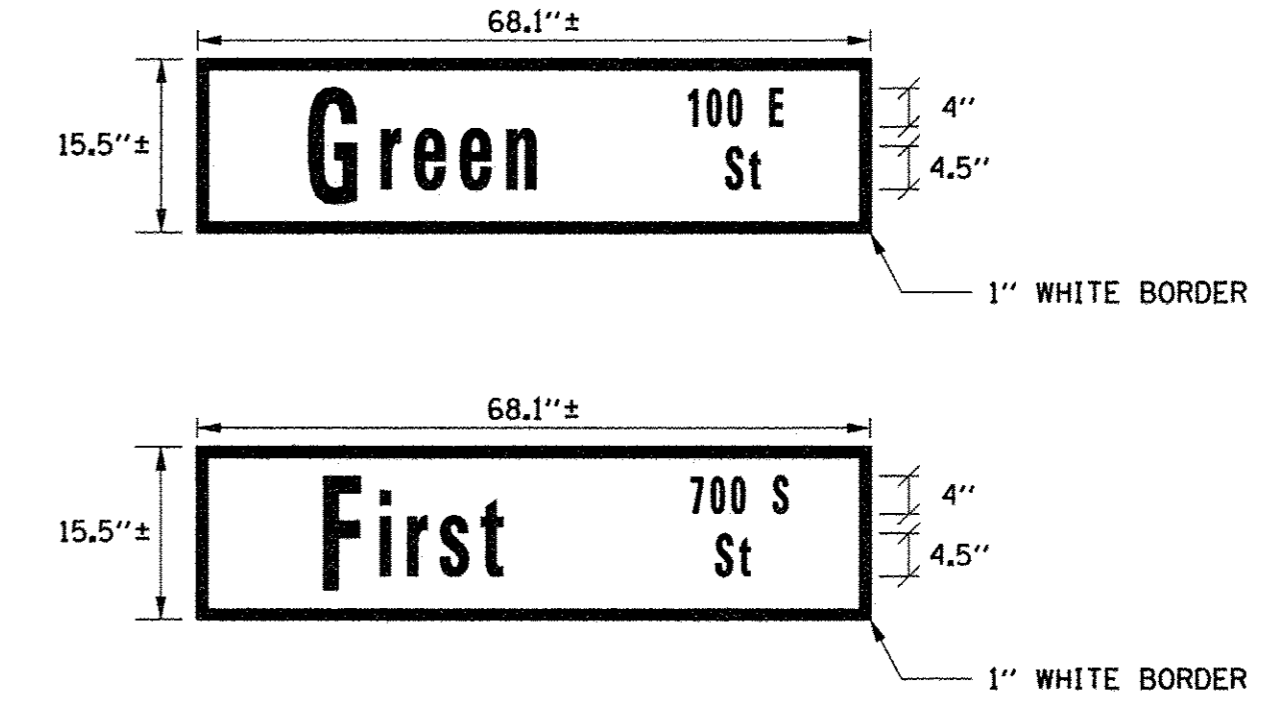
MAST ARM LOADING DIAGRAM
GREEN STREET AND FIRST STREET
SOUTHWEST QUADRANT (LOOKING SOUTH)

SEE STANDARD 877001 FOR ADDITIONAL MAST ARM DESIGN LOADING REQUIREMENTS



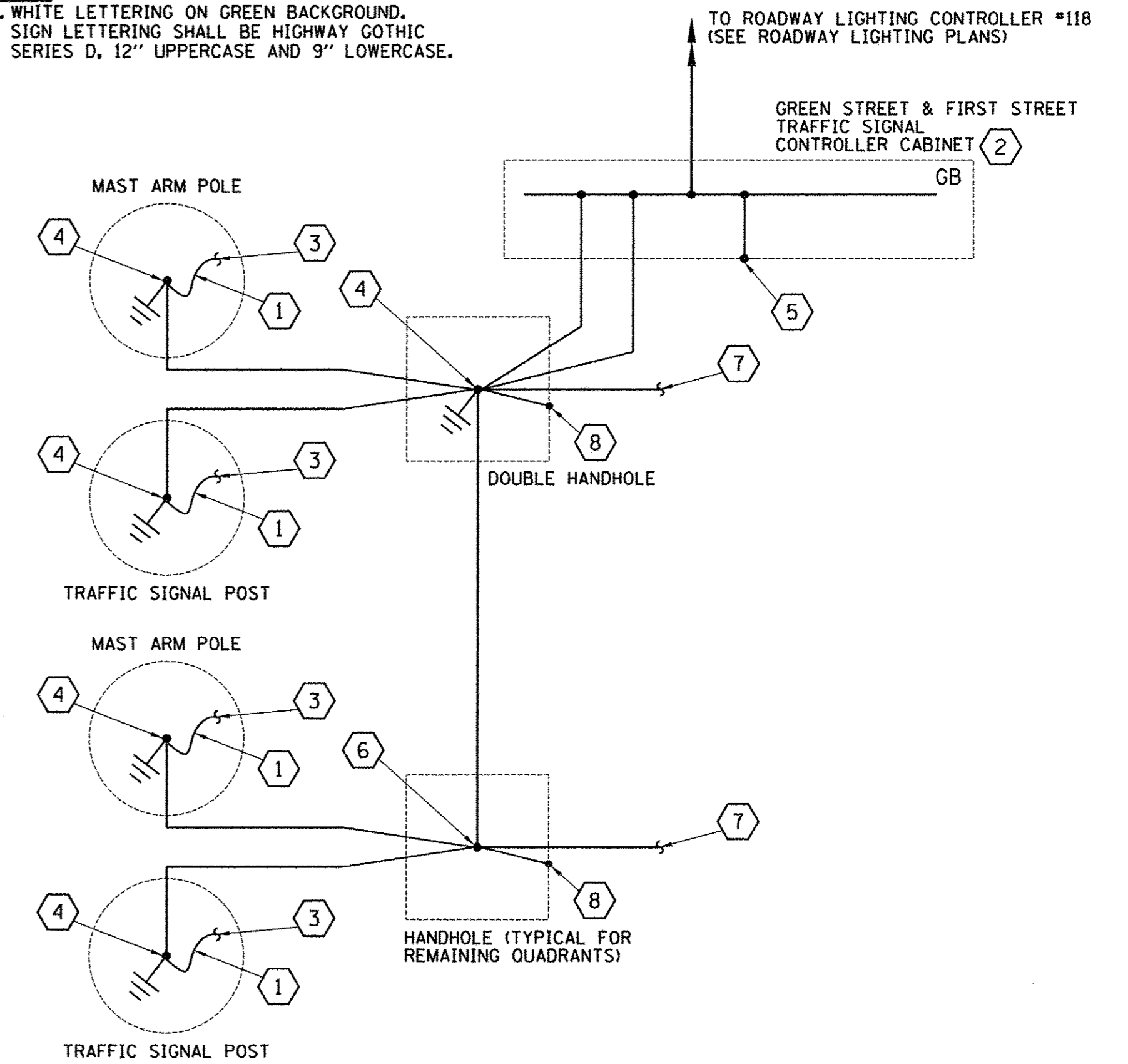
MAST ARM LOADING DIAGRAM
GREEN STREET AND FIRST STREET
SOUTHEAST QUADRANT (LOOKING EAST)

SEE STANDARD 877001 FOR ADDITIONAL MAST ARM DESIGN LOADING REQUIREMENTS



LED INTERNALLY ILLUMINATED STREET NAME SIGN FACE DETAILS

NOTES:
1. WHITE LETTERING ON GREEN BACKGROUND. SIGN LETTERING SHALL BE HIGHWAY GOTHIC SERIES D, 12" UPPERCASE AND 9" LOWERCASE.



- ① NO. 6 AWG BARE, SOLID COPPER GROUNDING ELECTRODE CONDUCTOR.
 - ② ISOLATE NEUTRAL FROM GROUND. DO NOT BOND NEUTRAL.
 - ③ BOND TO GROUND LUG IN POLE/POST.
 - ④ EXOTHERMICALLY WELD CONDUCTORS TO GROUND ROD. ANY SPLICES SHALL BE BY IRREVERSIBLE HYDRAULIC COMPRESSION SPLICES.
 - ⑤ BOND ENCLOSURE TO GROUND.
 - ⑥ SPLICE CONDUCTORS USING IRREVERSIBLE HYDRAULIC COMPRESSION SPLICES.
 - ⑦ EXTEND TO HANDHOLES IN OTHER QUADRANTS AS REQUIRED.
 - ⑧ BOND HANDHOLE COVER AND FRAME TO GROUND.
- GB GROUND BUS
⊘ GROUND ROD

TRAFFIC SIGNAL GROUNDING DIAGRAM

ALL WIRES SHALL BE NO. 6 AWG STRANDED COPPER CONDUCTORS WITH XLP INSULATION UNLESS OTHERWISE INDICATED. THE INSULATION COLOR SHALL BE GREEN.

FILE NAME = p:\c0010720_mcore\plans\sheets\Project2\P2-sht-signals.dgn
PLOT DATE = 5/18/2016 3:24:35 PM

DESIGNED - A.O.A. REVISED -
DRAWN - A.O.A. REVISED -
CHECKED - CJD/JAJ REVISED -
DATE - MARCH 2016 REVISED -

STATE OF ILLINOIS
DEPARTMENT OF TRANSPORTATION

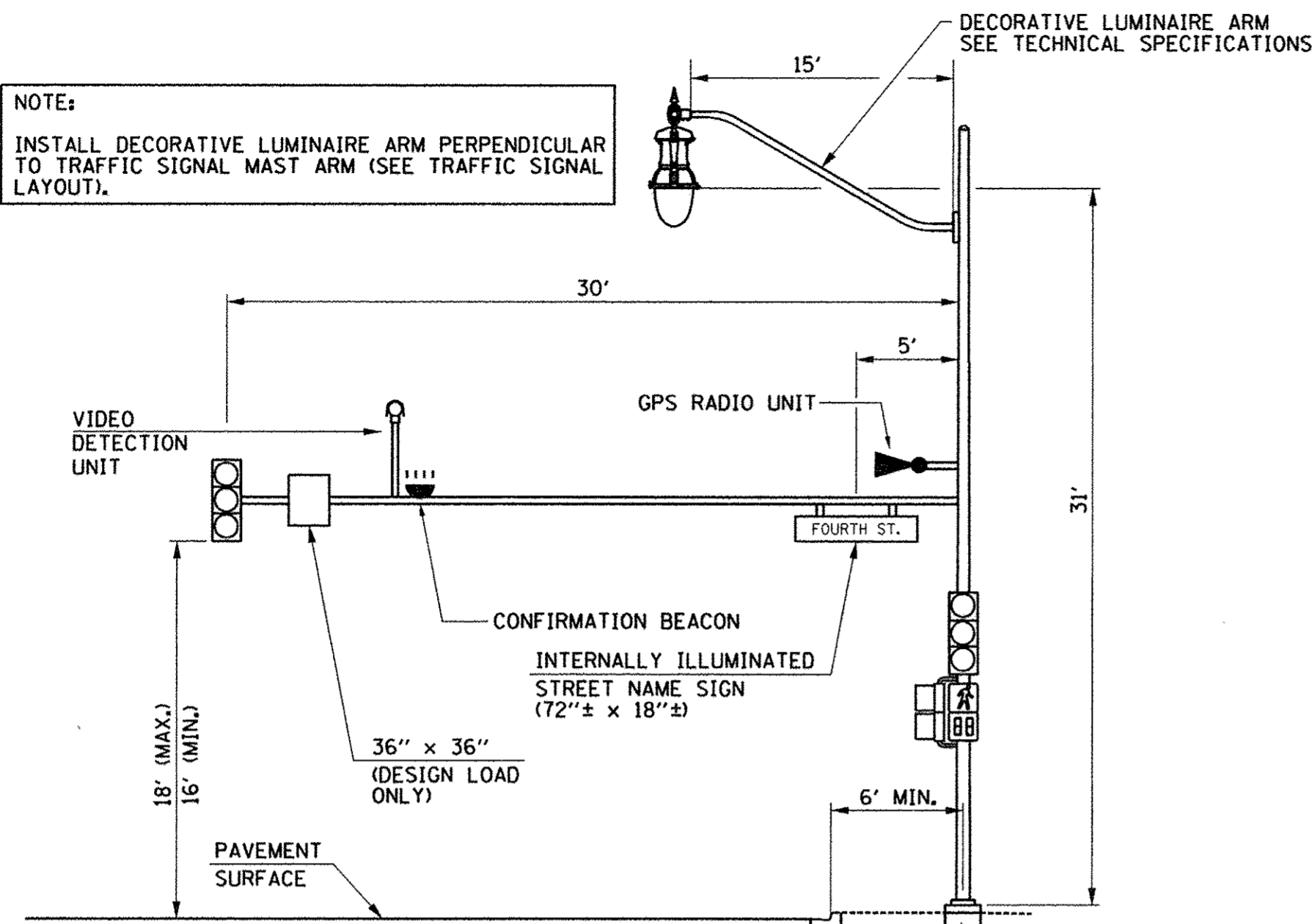
TRAFFIC SIGNAL PLANS
TRAFFIC SIGNAL DETAILS

SCALE : NONE SHEET NO. 275 OF 412 SHEETS STA. TO STA.

F.A.U. RTE.	SECTION	COUNTY	TOTAL SHEETS	SHEET NO.
7126	15-00304-02-PV	CHAMPAIGN	412	275
MCORE PROJECT 2			CONTRACT NO. 91540	
JOB NO. C-95-306-16 ILLINOIS FED. AID PROJECT TIG-51810581				

NOTE:
MOUNT GPS RADIO UNIT 1' MIN. ABOVE MAST ARM,
2' MIN. AWAY FROM MAST ARM POLE, AND 45° TO
THE INTERSECTION OR AS OTHERWISE DIRECTED BY
THE ENGINEER.

NOTE:
INSTALL DECORATIVE LUMINAIRE ARM PERPENDICULAR
TO TRAFFIC SIGNAL MAST ARM (SEE TRAFFIC SIGNAL
LAYOUT).

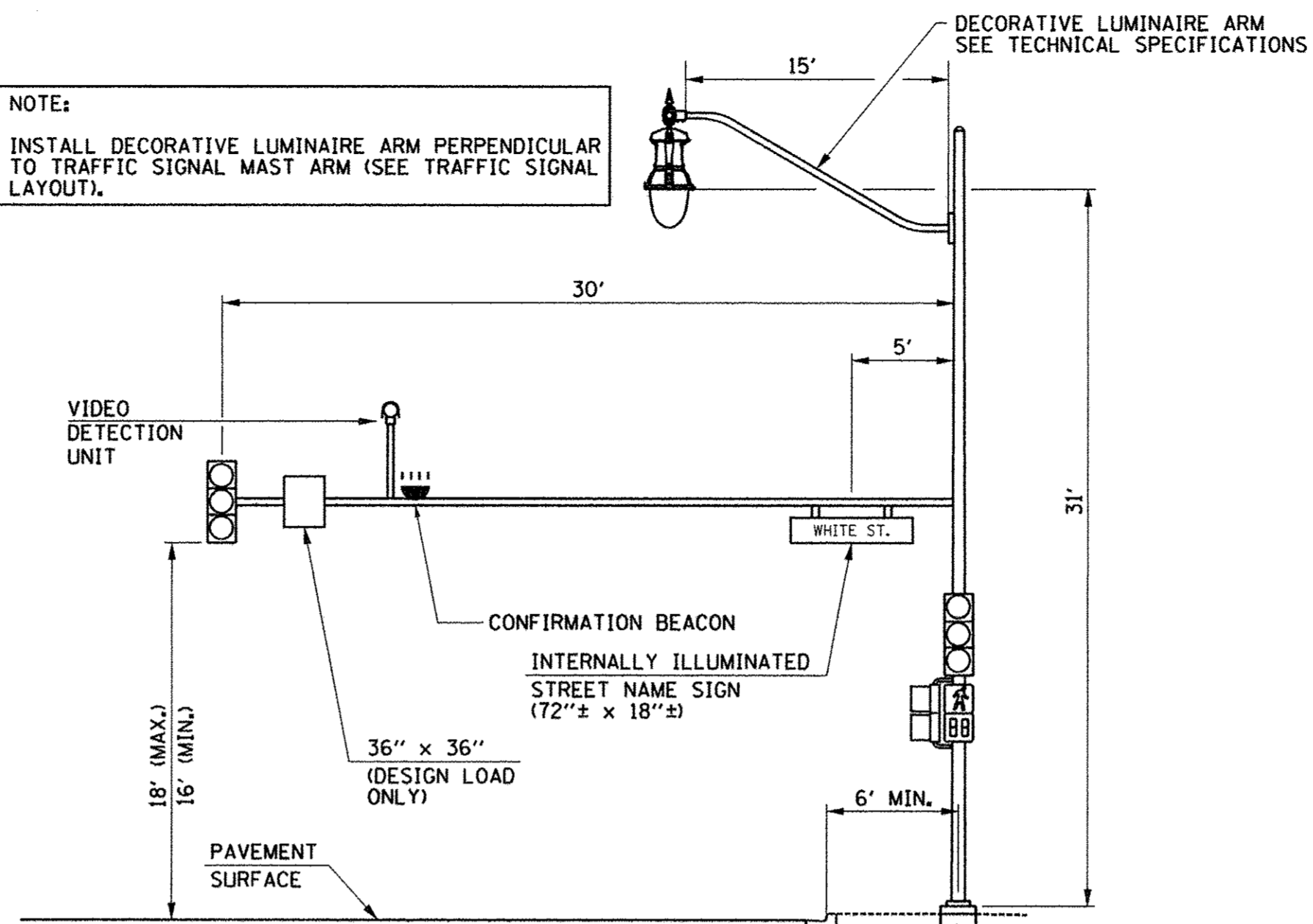


MAST ARM LOADING DIAGRAM

WHITE STREET AND FOURTH STREET
NORTHWEST QUADRANT (LOOKING WEST)

SEE STANDARD 877001 FOR ADDITIONAL MAST ARM DESIGN LOADING REQUIREMENTS

NOTE:
INSTALL DECORATIVE LUMINAIRE ARM PERPENDICULAR
TO TRAFFIC SIGNAL MAST ARM (SEE TRAFFIC SIGNAL
LAYOUT).

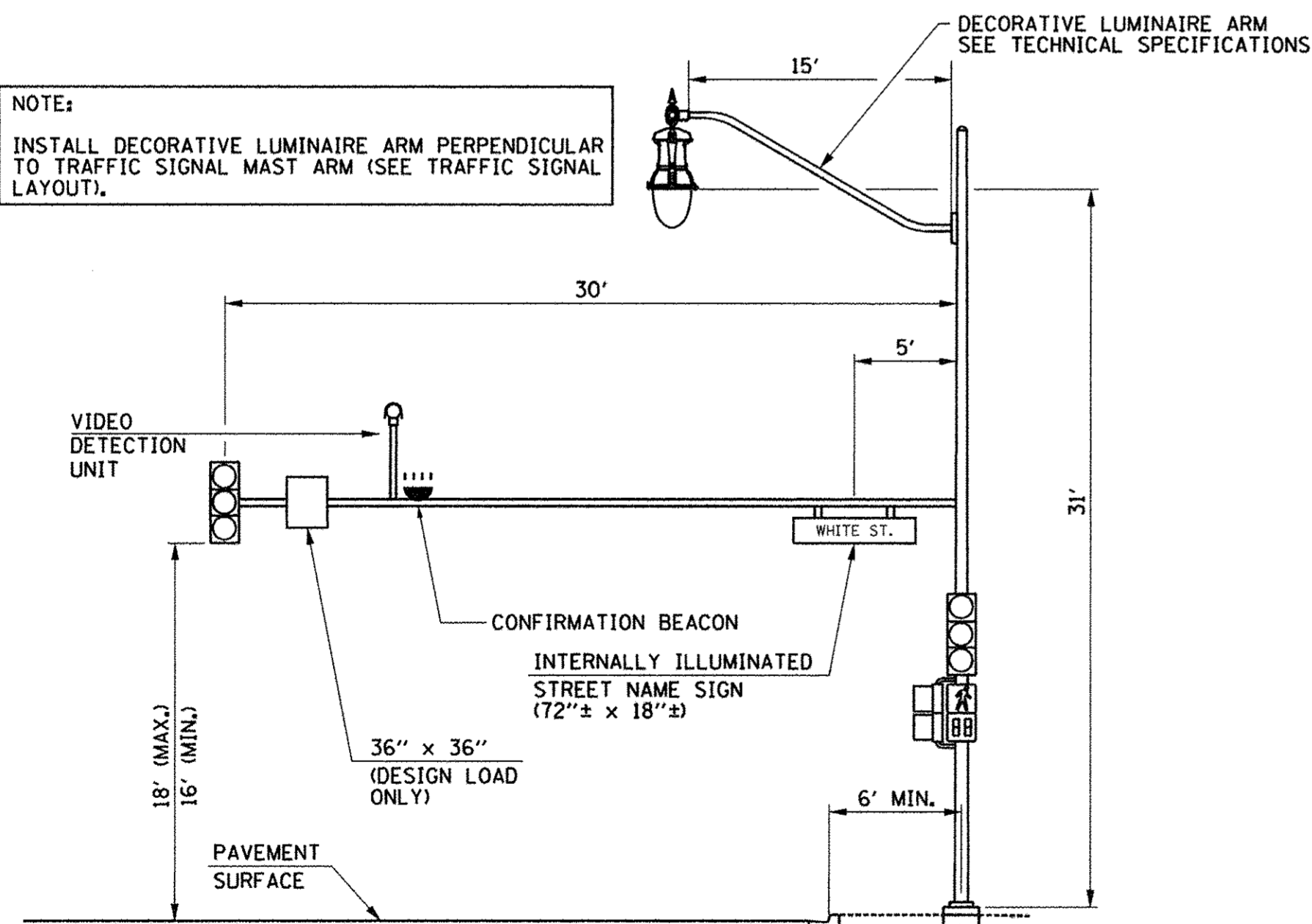


MAST ARM LOADING DIAGRAM

WHITE STREET AND FOURTH STREET
NORTHEAST QUADRANT (LOOKING NORTH)

SEE STANDARD 877001 FOR ADDITIONAL MAST ARM DESIGN LOADING REQUIREMENTS

NOTE:
INSTALL DECORATIVE LUMINAIRE ARM PERPENDICULAR
TO TRAFFIC SIGNAL MAST ARM (SEE TRAFFIC SIGNAL
LAYOUT).

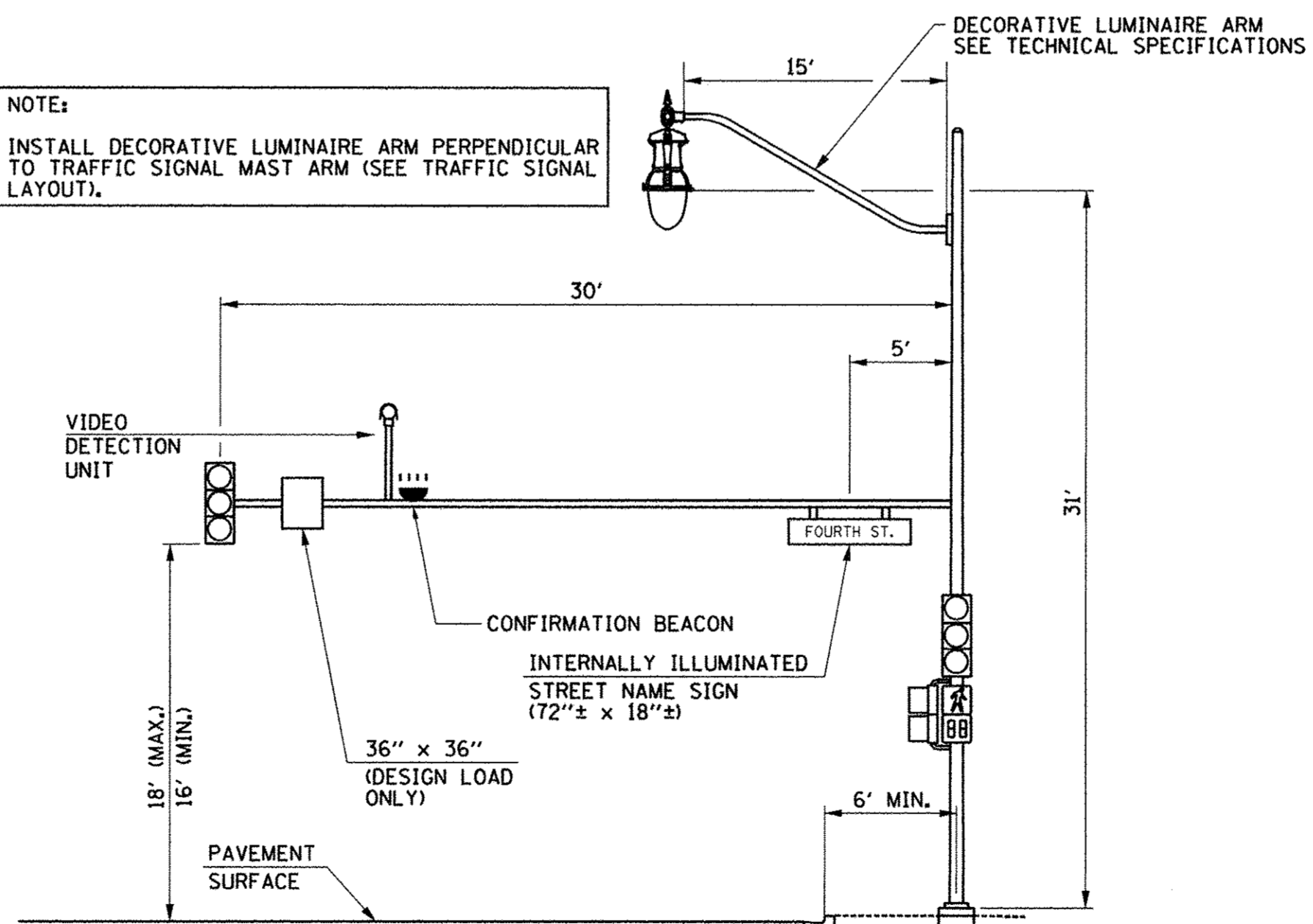


MAST ARM LOADING DIAGRAM

WHITE STREET AND FOURTH STREET
SOUTHWEST QUADRANT (LOOKING SOUTH)

SEE STANDARD 877001 FOR ADDITIONAL MAST ARM DESIGN LOADING REQUIREMENTS

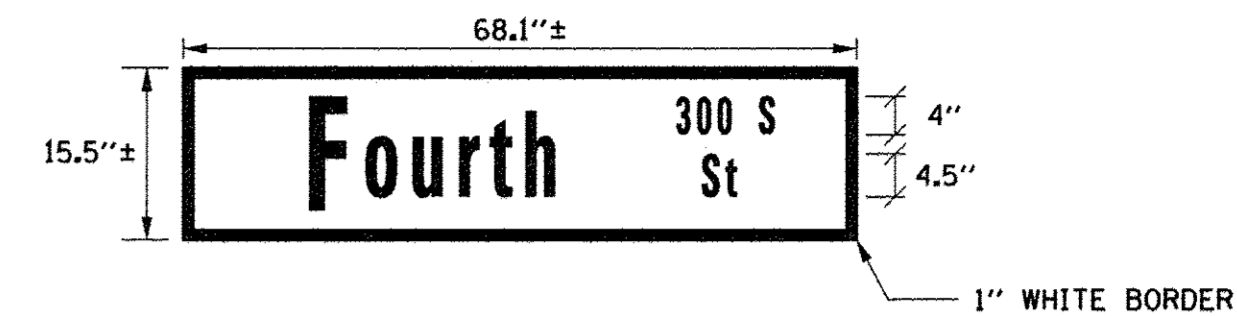
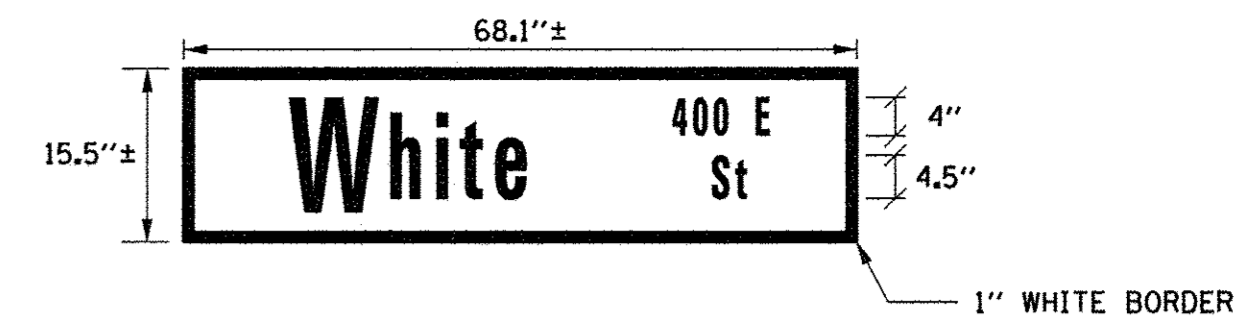
NOTE:
INSTALL DECORATIVE LUMINAIRE ARM PERPENDICULAR
TO TRAFFIC SIGNAL MAST ARM (SEE TRAFFIC SIGNAL
LAYOUT).



MAST ARM LOADING DIAGRAM

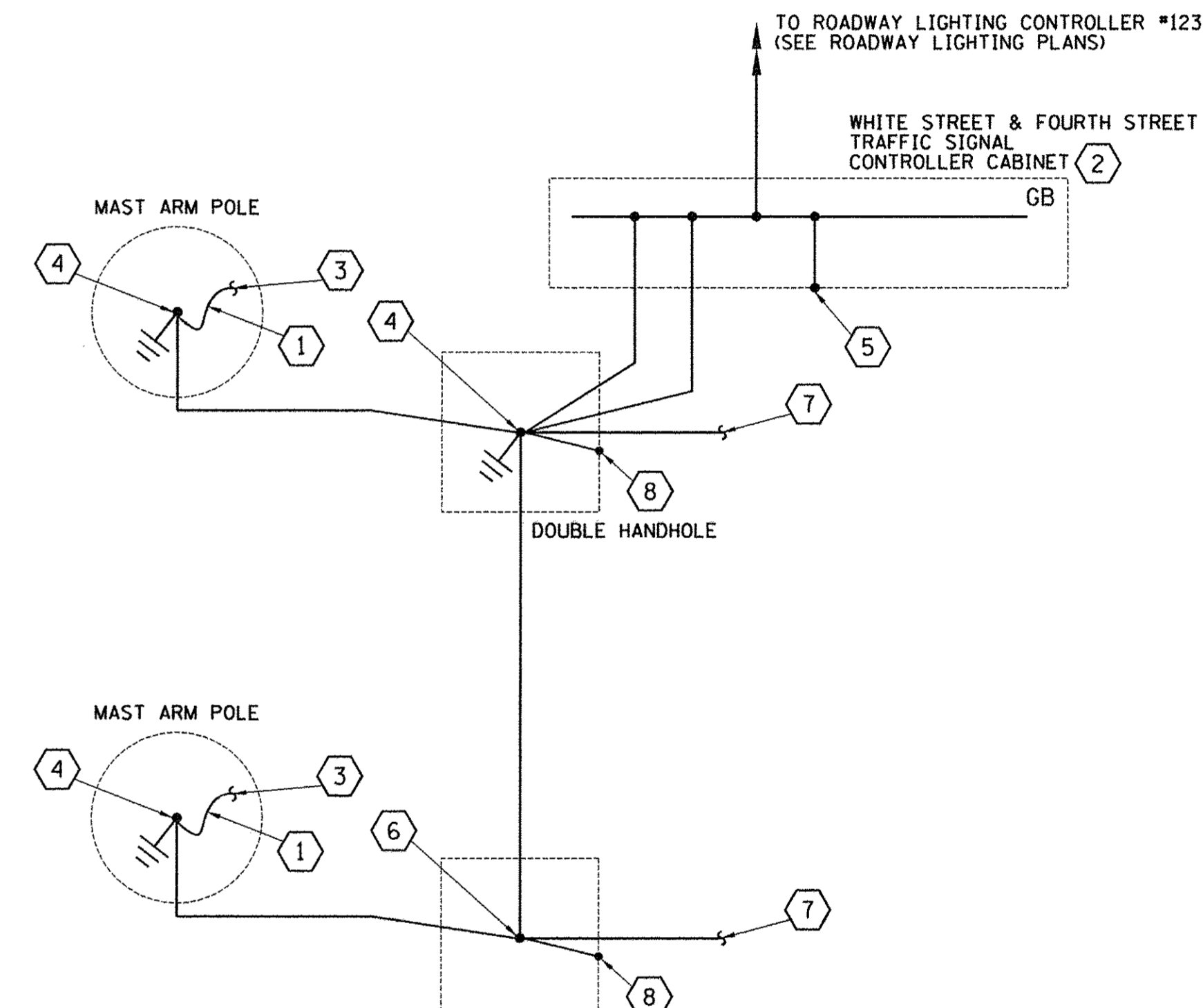
WHITE STREET AND FOURTH STREET
SOUTHEAST QUADRANT (LOOKING EAST)

SEE STANDARD 877001 FOR ADDITIONAL MAST ARM DESIGN LOADING REQUIREMENTS



**LED INTERNALLY ILLUMINATED STREET
NAME SIGN FACE DETAILS**

NOTES:
1. WHITE LETTERING ON GREEN BACKGROUND.
SIGN LETTERING SHALL BE HIGHWAY GOTHIC
SERIES D, 12" UPPERCASE AND 9" LOWERCASE.



- ① NO. 6 AWG BARE, SOLID COPPER GROUNDING ELECTRODE CONDUCTOR.
 - ② ISOLATE NEUTRAL FROM GROUND, DO NOT BOND NEUTRAL.
 - ③ BOND TO GROUND LUG IN POLE/POST.
 - ④ EXOTHERMICALLY WELD CONDUCTORS TO GROUND ROD, ANY SPLICES SHALL BE BY IRREVERSIBLE HYDRAULIC COMPRESSION SPLICES.
 - ⑤ BOND ENCLOSURE TO GROUND.
 - ⑥ SPLICE CONDUCTORS USING IRREVERSIBLE HYDRAULIC COMPRESSION SPLICES.
 - ⑦ EXTEND TO HANDHOLES IN OTHER QUADRANTS AS REQUIRED.
 - ⑧ BOND HANDHOLE COVER AND FRAME TO GROUND.
- GB GROUND BUS
GR GROUND ROD

TRAFFIC SIGNAL GROUNDING DIAGRAM

ALL WIRES SHALL BE NO. 6 AWG STRANDED COPPER CONDUCTORS WITH XLP INSULATION UNLESS OTHERWISE INDICATED. THE INSULATION COLOR SHALL BE GREEN.

The Roderick Group
Engineering Better Business

FILE NAME =
p:\c0010720_mcore\plans\sheets\Project3\P3-sht-signals.dgn
PLOT DATE =
5/18/2016 3:27:01 PM

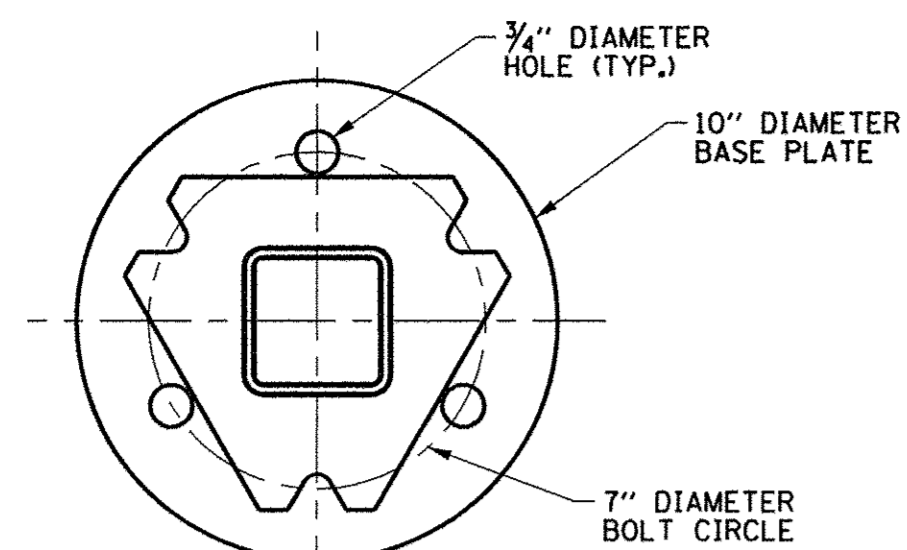
DESIGNED - LYC	REVISED -
DRAWN - LYC	REVISED -
CHECKED - CJD/JAJ	REVISED -
DATE - MARCH 2016	REVISED -

STATE OF ILLINOIS
DEPARTMENT OF TRANSPORTATION

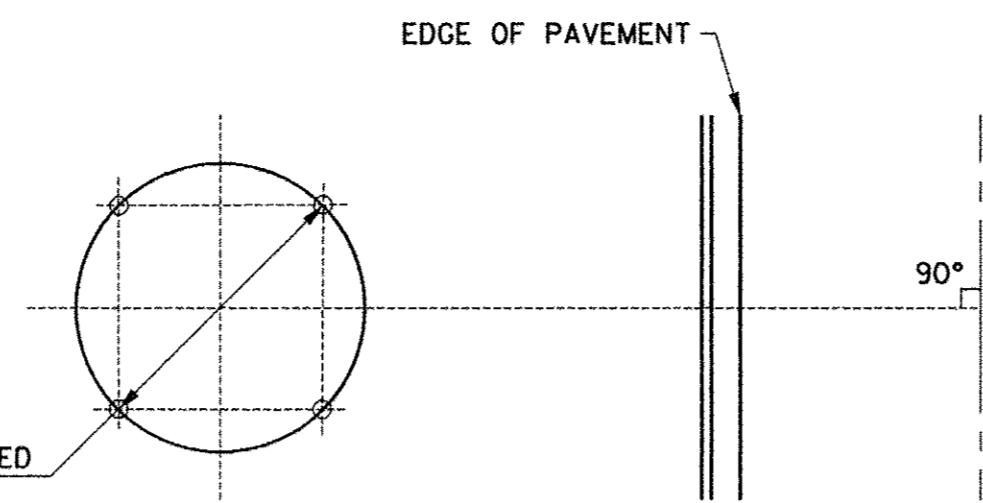
TRAFFIC SIGNAL PLANS
TRAFFIC SIGNAL DETAILS

SCALE : NONE SHEET NO. 276 OF 412 SHEETS STA. TO STA.

F.A.U. RTE.	SECTION	COUNTY	TOTAL SHEETS	SHEET NO.
	15-00304-02-PV	CHAMPAIGN	412	276
MCORE PROJECT 3			CONTRACT NO. 91540	
JOB NO. C-95-306-16 ILLINOIS FED. AID PROJECT TIG-5181(058)				

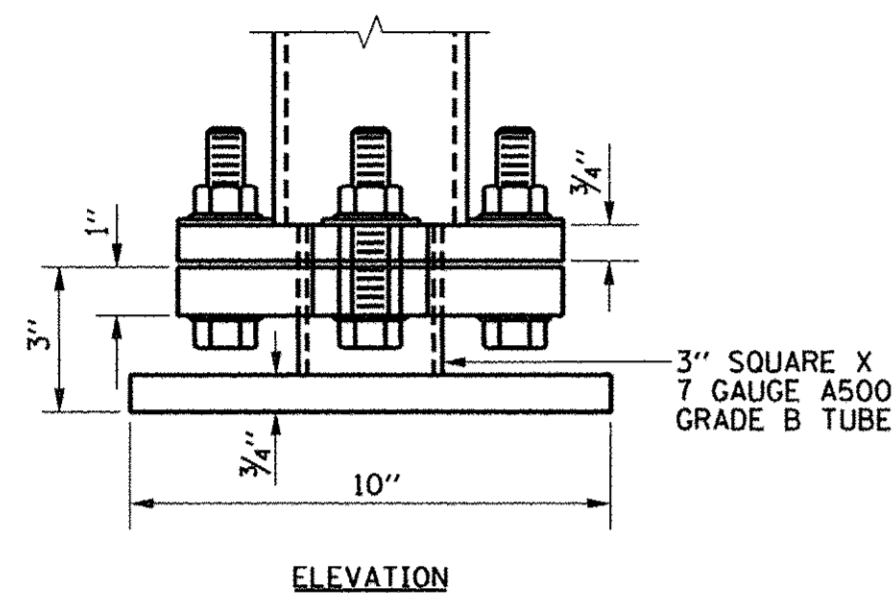


BOLT CIRCLE AS SPECIFIED
SEE STANDARD 877011



MAST ARM FOUNDATION BOLT PATTERN DETAIL

ORIENTATION OF ANCHOR BOLTS TO BE FIELD VERIFIED



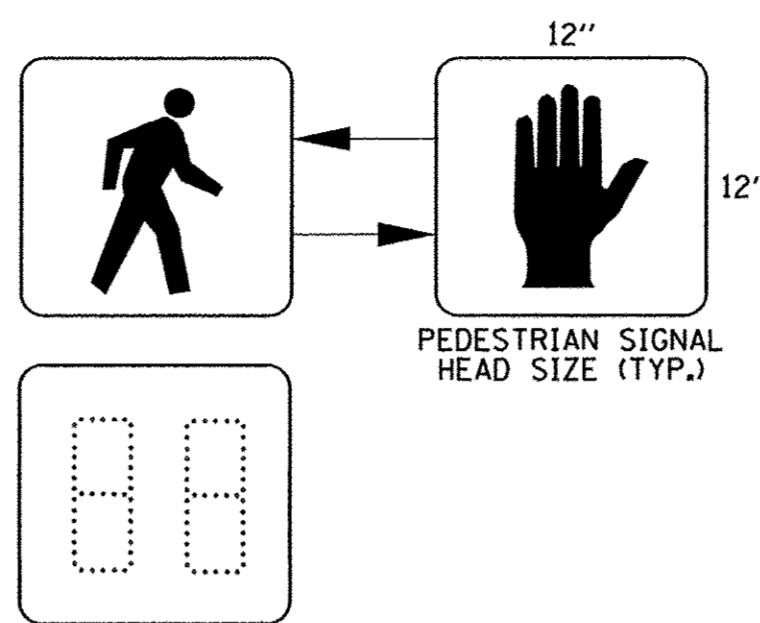
SURFACE MOUNT SLIP BASE ASSEMBLY



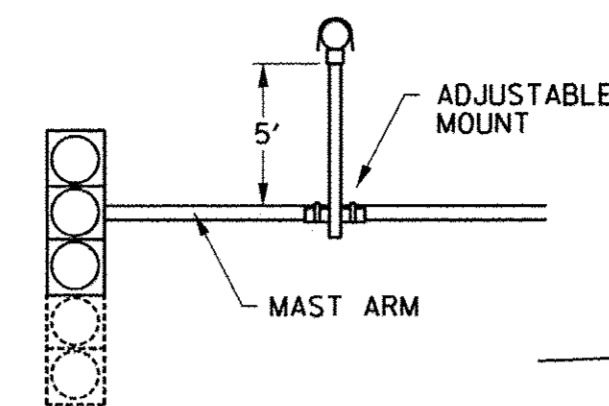
MUTCD R10-3

THE PEDESTRIAN PUSH-BUTTON SIGN AND ALL MOUNTING HARDWARE SHALL BE INCLUDED IN THE COST OF THE ACCESSIBLE PEDESTRIAN SIGNALS.

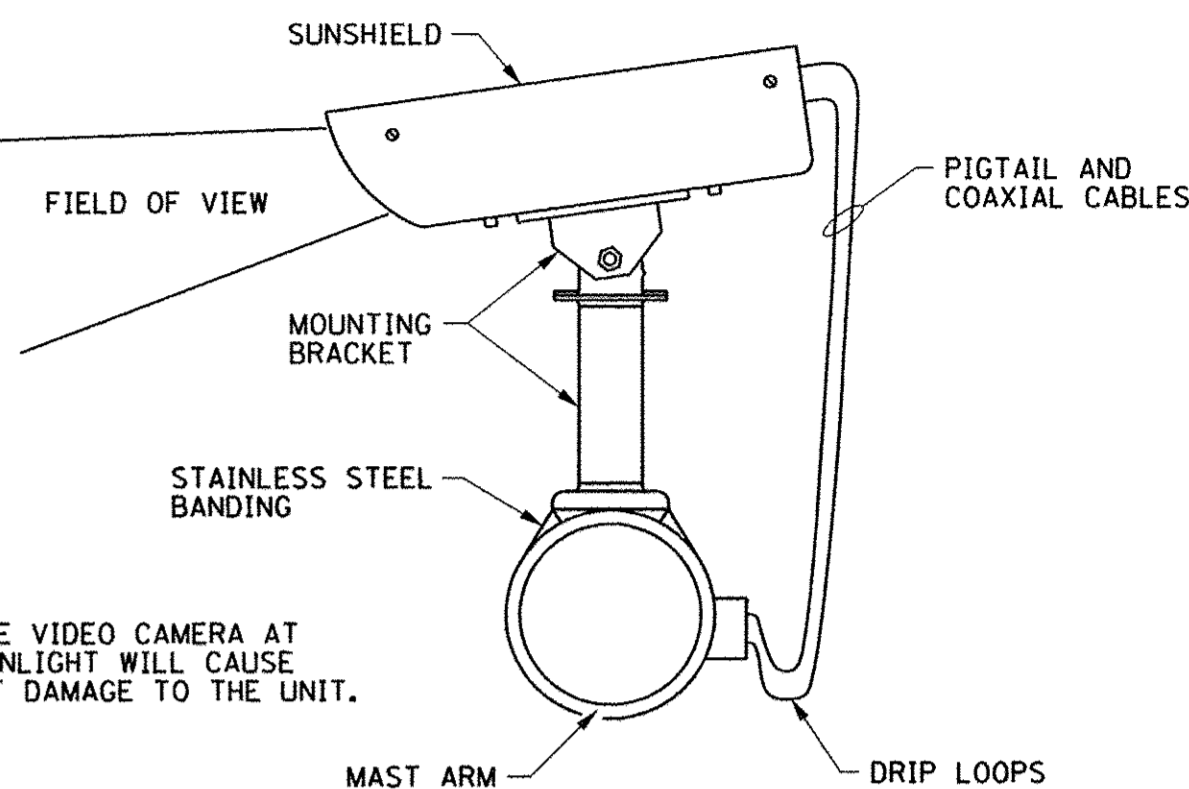
PEDESTRIAN PUSH-BUTTON SIGN DETAIL



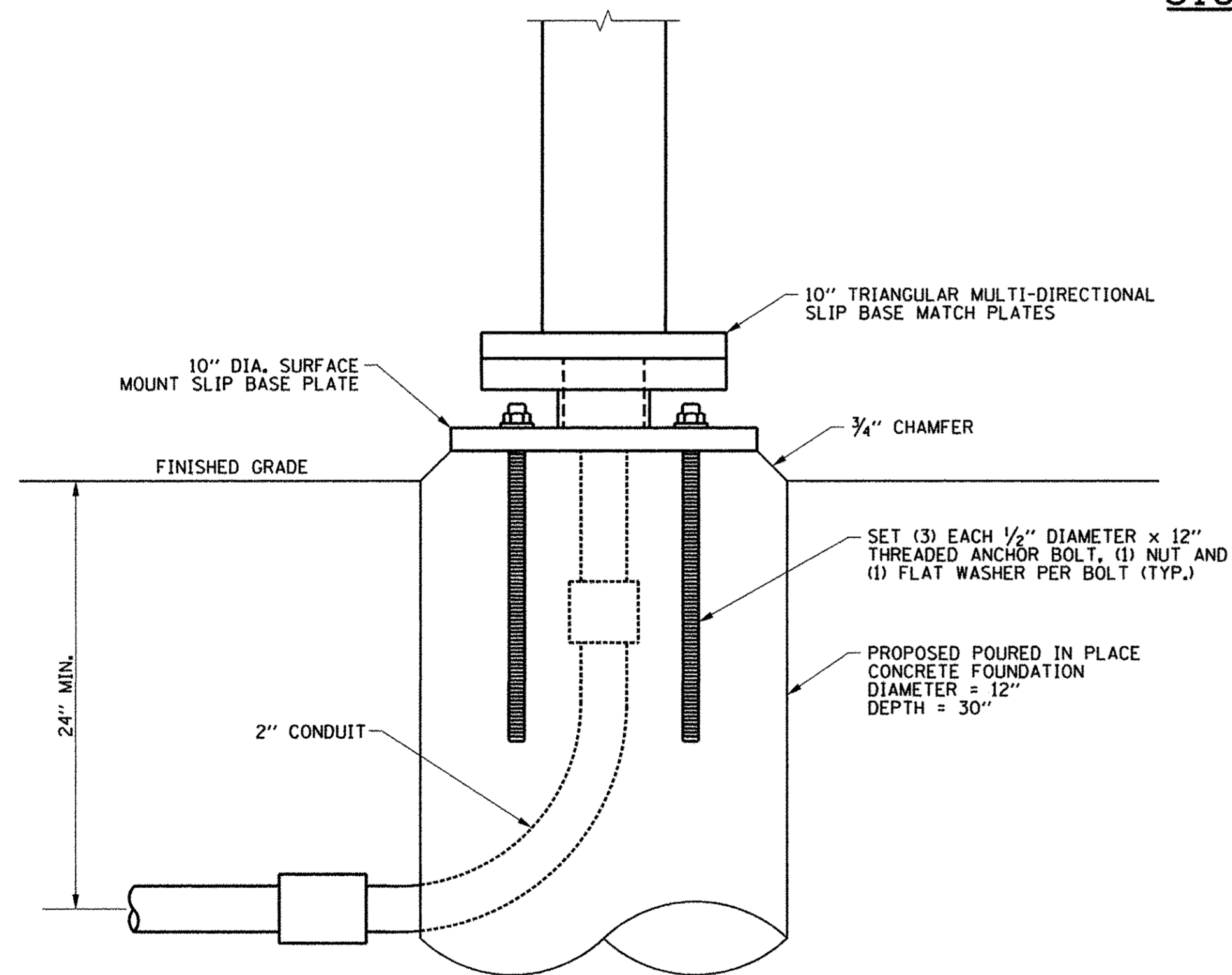
PEDESTRIAN COUNTDOWN SIGNAL DISPLAY DETAIL



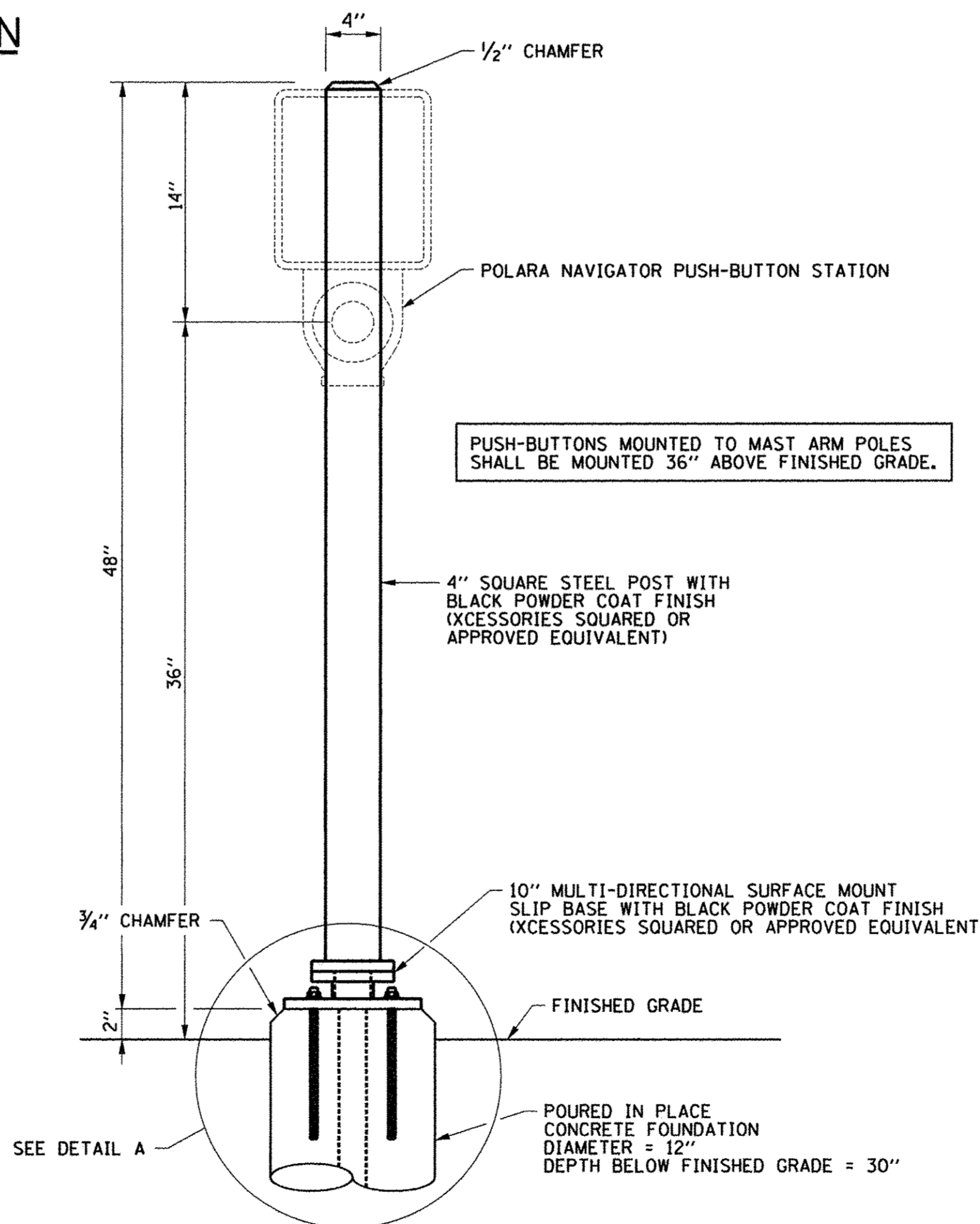
WARNING:
AIMING THE VIDEO CAMERA AT
DIRECT SUNLIGHT WILL CAUSE
PERMANENT DAMAGE TO THE UNIT.



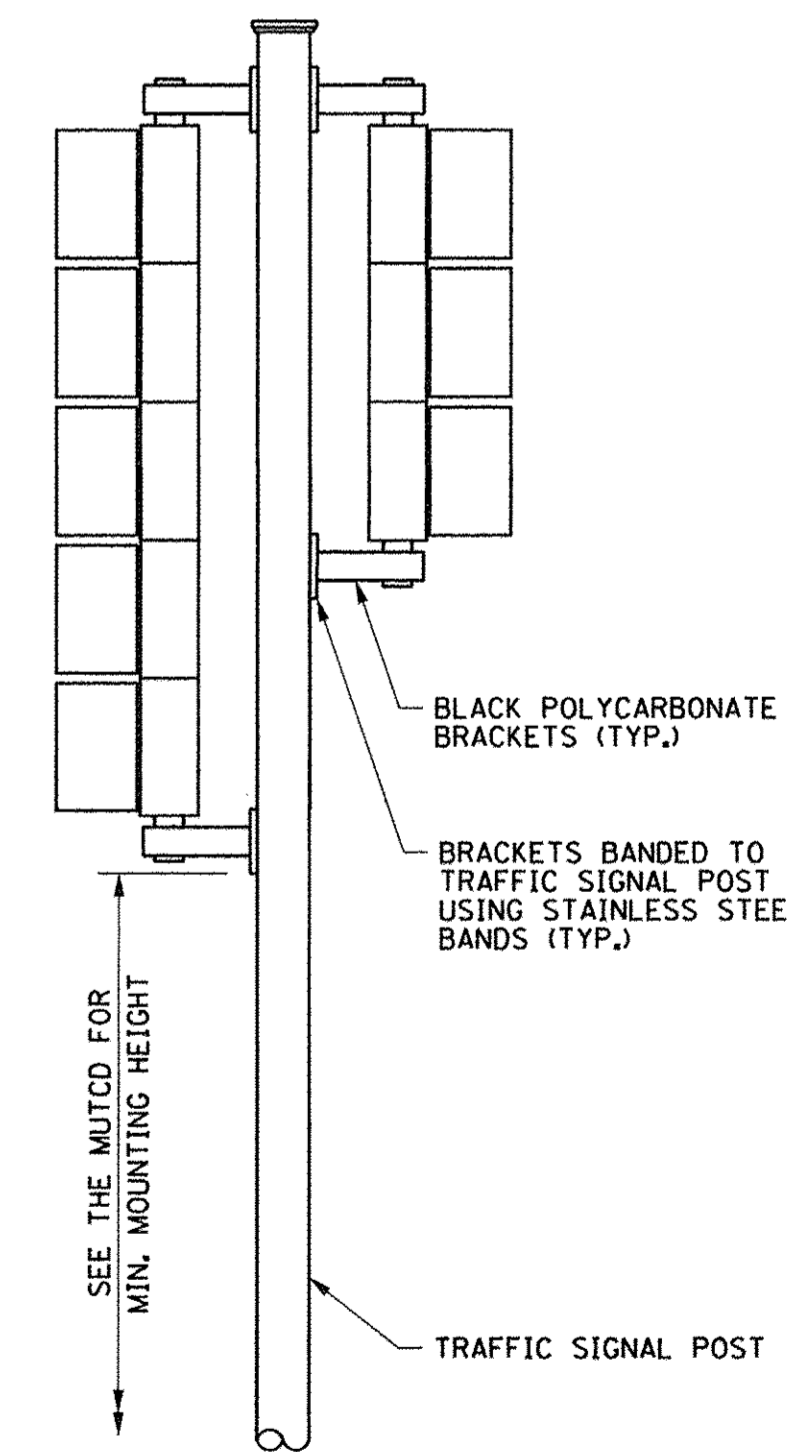
VIDEO DETECTION UNIT MOUNTING DETAILS



1. ANCHOR BOLTS SHALL BE ASTM F593 ALL-THREAD AND SHALL BE STAINLESS STEEL ACCORDING TO ARTICLE 1006.31 OF THE STANDARD SPECIFICATIONS. THE NUTS AND WASHERS SHALL ALSO BE STAINLESS STEEL.
2. THE ANCHOR SHALL BE INSTALLED SO A MINIMUM OF TWO THREADS IS PROJECTING ABOVE THE TOP NUT WITH A MAXIMUM PROJECTION OF 1/2" ABOVE THE TOP NUT.
3. THE 4" SQUARE POST AND THE 10" MULTI-DIRECTIONAL SURFACE MOUNT SLIP BASE SHALL RECEIVE A BLACK POWDER COAT FINISH.



PEDESTRIAN PUSH-BUTTON POST, TYPE II DETAIL



TRAFFIC SIGNAL MOUNTING DETAILS

ONE 3-SECTION SIGNAL HEAD AND ONE 5-SECTION SIGNAL HEAD BRACKET MOUNTED

The Roderick Group
Engineering
Better Business

FILE NAME =
p:\c0010720_mcore\plans\sheets\Project2\P2-sht-signals.dgn
PLOT DATE =
3/23/2016 4:56:46 PM

DESIGNED - A.O.A. REVISED -
DRAWN - A.O.A. REVISED -
CHECKED - CJD/JAJ REVISED -
DATE - MARCH 2016 REVISED -

STATE OF ILLINOIS
DEPARTMENT OF TRANSPORTATION

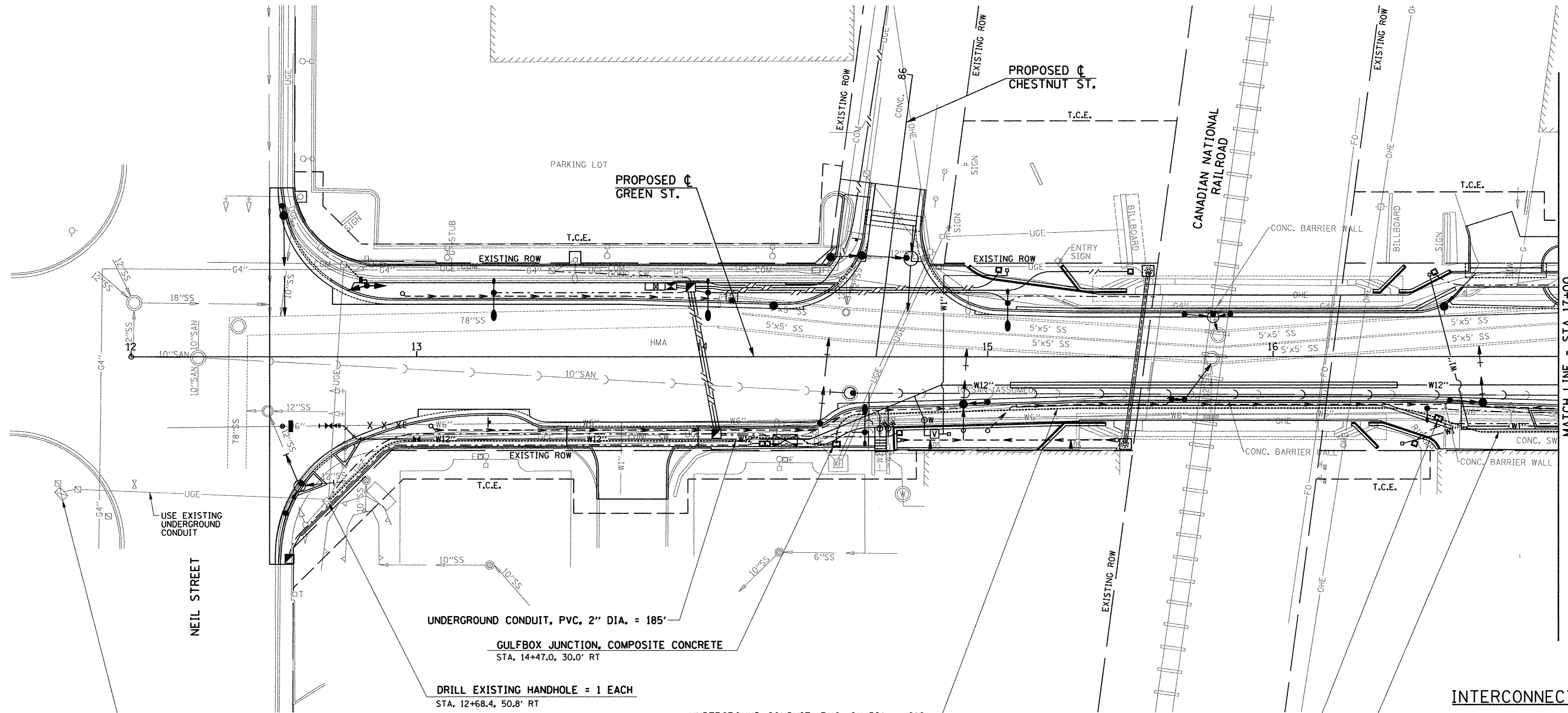
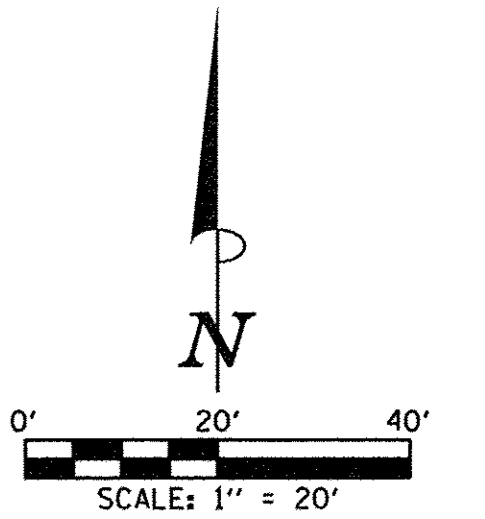
TRAFFIC SIGNAL PLANS
TRAFFIC SIGNAL DETAILS

SCALE : NONE SHEET NO. 277 OF 412 SHEETS STA. TO STA.

F.A.U. RTE.	SECTION	COUNTY	TOTAL SHEETS	SHEET NO.
7126	15-00304-02-PV	CHAMPAIGN	412	277
MCORE PROJECT 2 & 3 CONTRACT NO. 91540				
JOB NO. C-95-306-16 ILLINOIS FED. AID PROJECT T1G-51810581				

TRAFFIC SIGNAL INTERCONNECT PLAN GENERAL NOTES

1. THE PROPOSED FIBER OPTIC CABLE SHALL BE INSTALLED ON GREEN STREET BETWEEN THE EXISTING TRAFFIC SIGNAL CONTROLLER AT NEIL STREET, THE PROPOSED TRAFFIC SIGNAL CONTROLLER AT FIRST STREET, AND THE EXISTING TRAFFIC SIGNAL CONTROLLER AT FOURTH STREET. THE EXISTING MASTER CONTROLLER IS LOCATED AT FOURTH STREET.
2. THE PROPOSED FIBER OPTIC CABLE SHALL BE TERMINATED AT EACH TRAFFIC SIGNAL CONTROLLER.
3. A NO. 12 STRANDED COPPER WIRE SHALL BE INSTALLED IN THE SAME CONDUIT AS THE FIBER OPTIC CABLE FOR A TRACER CABLE. THE COPPER WIRE SHALL TERMINATE AT EACH HANDHOLE, GULFBOX JUNCTION, AND CONTROLLER CABINET. A TAG SHALL BE PLACED ON THE COPPER WIRE IN EACH HANDHOLE, GULFBOX JUNCTION, AND CONTROLLER CABINET WITH THE LEGEND "FIBER OPTIC TRACER CABLE". THIS WORK WILL NOT BE PAID FOR SEPARATELY BUT SHALL BE INCLUDED IN THE COST OF THE FIBER OPTIC CABLE, AND NO ADDITIONAL COMPENSATION WILL BE ALLOWED.
4. REFER TO THE TRAFFIC SIGNAL LAYOUT DRAWINGS AND THE TECHNICAL SPECIFICATIONS FOR ADDITIONAL INFORMATION.



INSTALL FIBER OPTIC CABLE TO CONTROLLER CABINET. TERMINATE SIX SINGLE-MODE FIBERS AND SIX MULTI-MODE FIBERS IN CONTROLLER CABINET. SEE TECHNICAL SPECIFICATIONS.

UNDERGROUND CONDUIT, PVC, 2" DIA. = 185'

GULFBOX JUNCTION, COMPOSITE CONCRETE
STA. 14+47.0, 30.0' RT

DRILL EXISTING HANDHOLE = 1 EACH
STA. 12+68.4, 50.8' RT

UNDERGROUND CONDUIT, PVC, 2" DIA. = 216'

GULFBOX JUNCTION, COMPOSITE CONCRETE
STA. 16+57.9, 21.7' RT

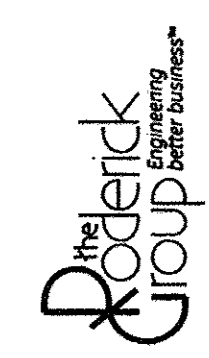
UNDERGROUND CONDUIT, PVC, 2" DIA.
SEE NEXT SHEET

BILL OF MATERIALS

ITEM	UNIT	QUANTITY
UNDERGROUND CONDUIT, PVC, 2" DIA.	FOOT	2692
GULFBOX JUNCTION, COMPOSITE CONCRETE	EACH	6
FIBER OPTIC CABLE IN CONDUIT, NO. 62.5/125, MM12F SM12F	FOOT	3130
DRILL EXISTING HANDHOLE	EACH	2

INTERCONNECT PLAN LEGEND

	PROPOSED	EXISTING
CONDUIT BORED AND PULLED
CONDUIT IN TRENCH	-----	-----
CONTROLLER CABINET	☐	☐
HANDHOLE, PCC	◻	◻
DOUBLE HANDHOLE, PCC	◻	◻
GULFBOX JUNCTION, COMPOSITE CONCRETE	◻	◻



FILE NAME = p:\c0010720_mcore\plans\sheets\Project2\p2-sht-signals-interconnect.dgn
PLOT DATE = 3/23/2016 4:56:48 PM

DESIGNED - CJD
DRAWN - CJD
CHECKED - AOA/JAJ
DATE - MARCH 2016

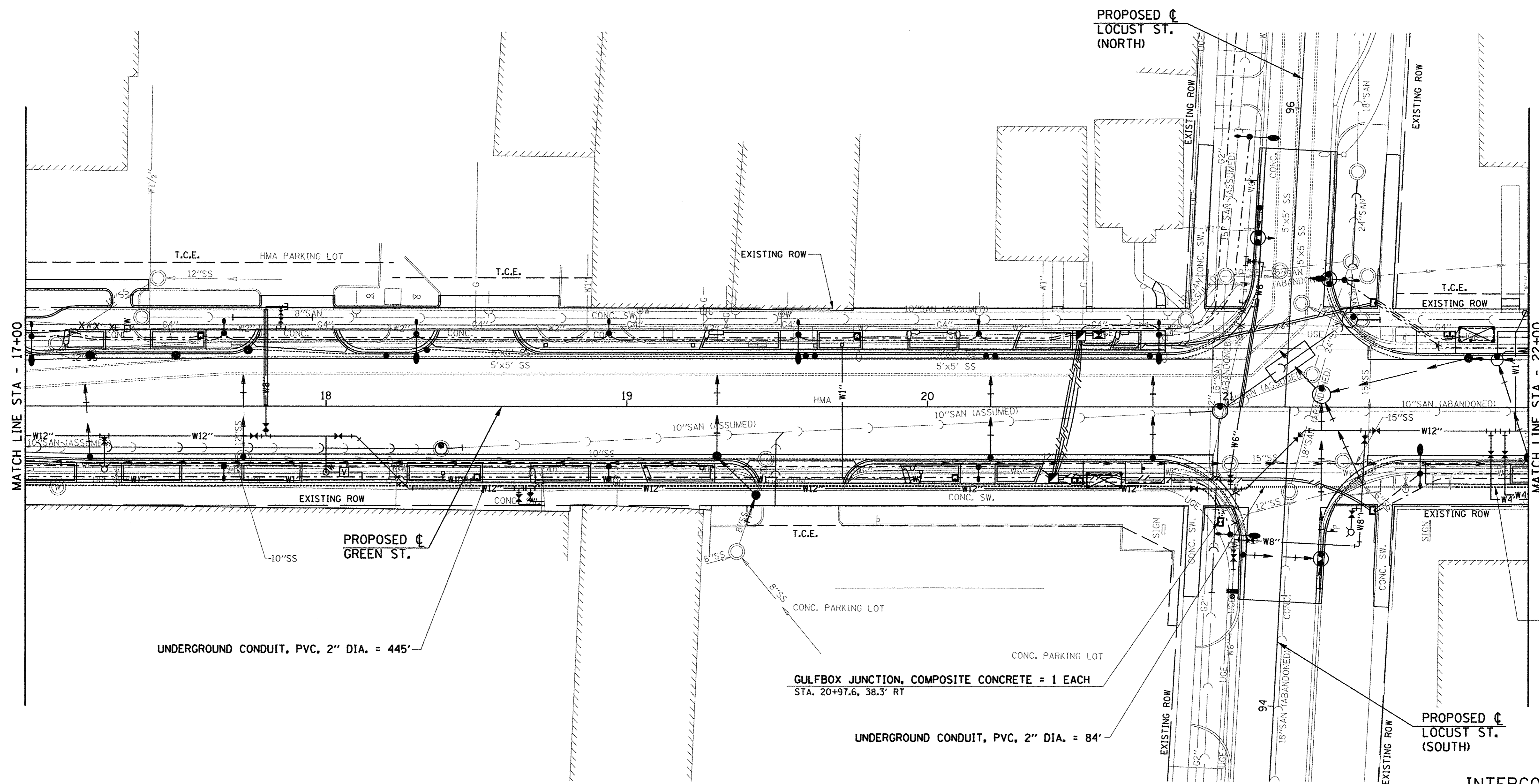
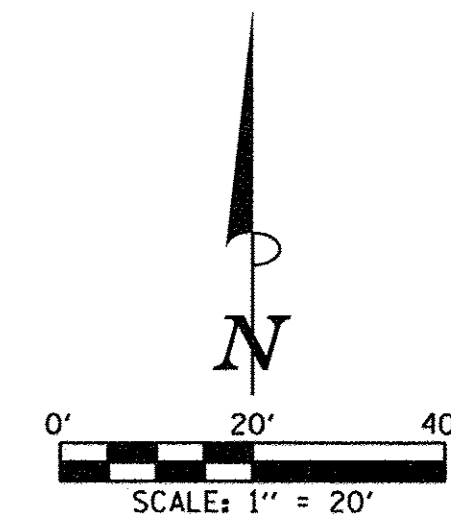
REVISED -
REVISED -
REVISED -
REVISED -

STATE OF ILLINOIS
DEPARTMENT OF TRANSPORTATION

TRAFFIC SIGNAL PLANS
TRAFFIC SIGNAL INTERCONNECT PLAN

SCALE: 1"=20' SHEET NO. 278 OF 412 SHEETS STA. 12+00.00 TO STA. 17+00.00

F.A.U. RTE.	SECTION	COUNTY	TOTAL SHEETS	SHEET NO.
7126	15-00304-02-PV	CHAMPAIGN	412	278
MCORE PROJECT 2			CONTRACT NO. 91540	
JOB NO. C-95-306-16 ILLINOIS FED. AID PROJECT TIG-5181(05B)				



UNDERGROUND CONDUIT, PVC, 2" DIA.
SEE NEXT SHEET

INTERCONNECT PLAN LEGEND

	PROPOSED	EXISTING
CONDUIT BORED AND PULLED
CONDUIT IN TRENCH
CONTROLLER CABINET	☒	☒
HANDHOLE, PCC	☒	☒
DOUBLE HANDHOLE, PCC	☒	☒
GULFBOX JUNCTION, COMPOSITE CONCRETE	☒	☒

FILE NAME = P:\C0010720_MCORE\Plans\Sheets\Project2\12-sht-signals-interconnect.dgn
 PLOT DATE = 6/9/2016 2:47:30 PM

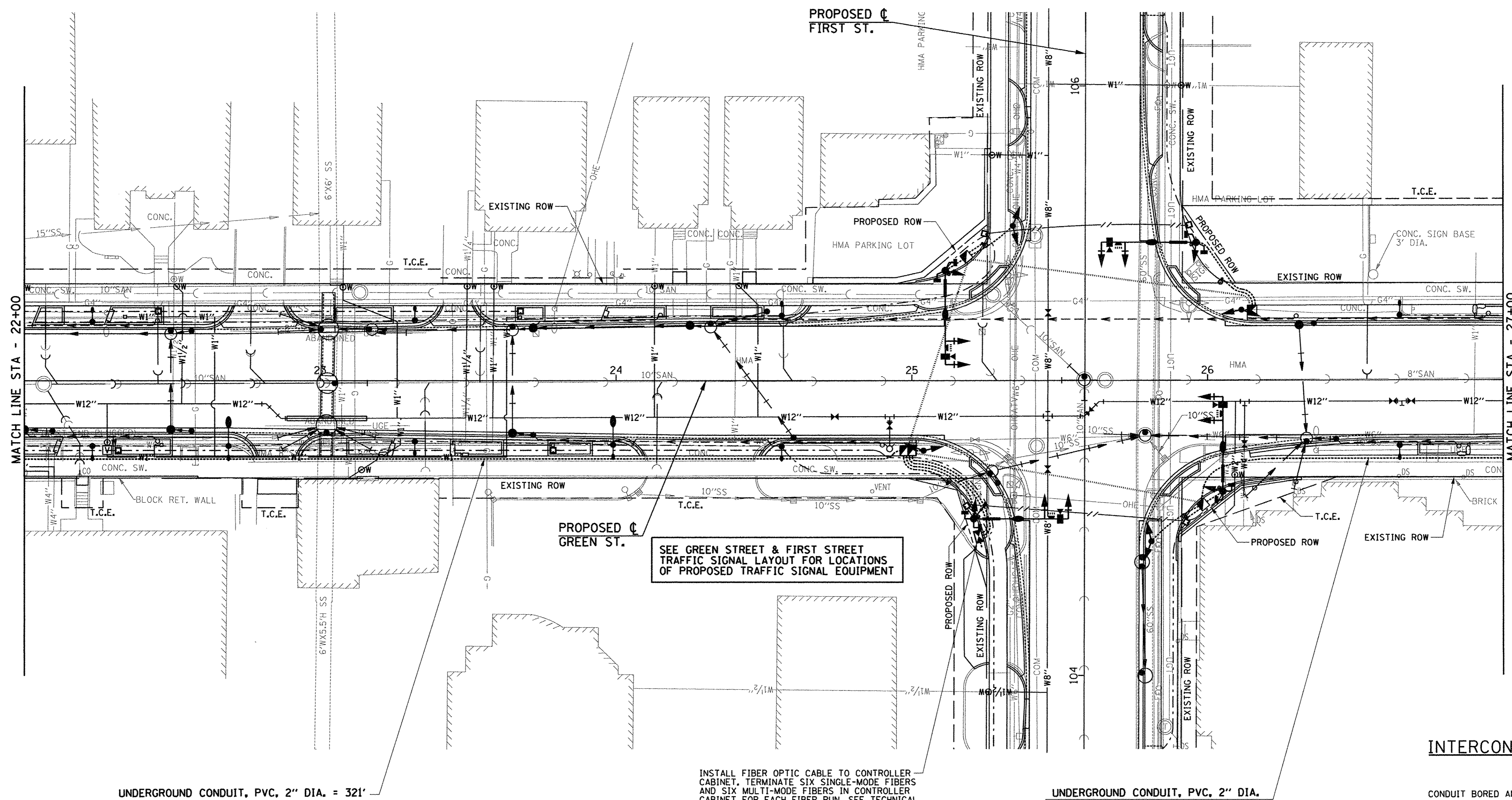
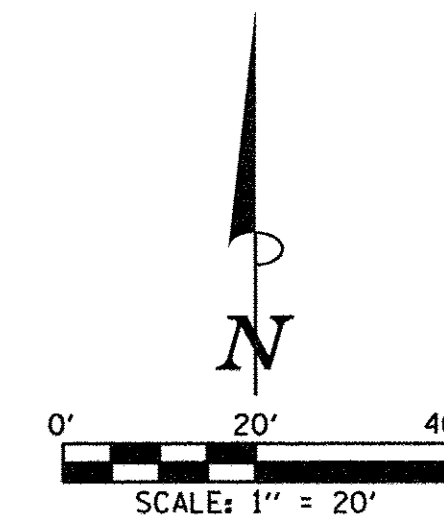
DESIGNED - CJD	REVISED -
DRAWN - CJD	REVISED -
CHECKED - AOA/JAJ	REVISED -
DATE - MARCH 2016	REVISED -

STATE OF ILLINOIS
DEPARTMENT OF TRANSPORTATION

TRAFFIC SIGNAL PLANS
TRAFFIC SIGNAL INTERCONNECT PLAN

SCALE : 1"=20' SHEET NO. 279 OF 412 SHEETS STA. 17+00.00 TO STA. 22+00.00

F.A.U. RTE.	SECTION	COUNTY	TOTAL SHEETS	SHEET NO.
7126	15-00304-02-PV	CHAMPAIGN	412	279
MCORE PROJECT 2			CONTRACT NO. 91540	
JOB NO. C-95-306-16 ILLINOIS FED. AID PROJECT TIG-5181(05B)				



SEE GREEN STREET & FIRST STREET TRAFFIC SIGNAL LAYOUT FOR LOCATIONS OF PROPOSED TRAFFIC SIGNAL EQUIPMENT

INSTALL FIBER OPTIC CABLE TO CONTROLLER CABINET. TERMINATE SIX SINGLE-MODE FIBERS AND SIX MULTI-MODE FIBERS IN CONTROLLER CABINET FOR EACH FIBER RUN. SEE TECHNICAL SPECIFICATIONS.

UNDERGROUND CONDUIT, PVC, 2" DIA. = 321'

UNDERGROUND CONDUIT, PVC, 2" DIA. SEE NEXT SHEET

INTERCONNECT PLAN LEGEND

	PROPOSED	EXISTING
CONDUIT BORED AND PULLED
CONDUIT IN TRENCH
CONTROLLER CABINET	☒	☒
HANDHOLE, PCC	☑	☑
DOUBLE HANDHOLE, PCC	☒	☒
GULFBOX JUNCTION, COMPOSITE CONCRETE	☒	☒



FILE NAME = p:\c0010720_mcore\plans\sheets\Project2\P2-sht-signals-interconnect.dgn
 PLOT DATE = 3/23/2016 4:56:50 PM

DESIGNED - CJD
 DRAWN - CJD
 CHECKED - AQA/JAJ
 DATE - MARCH 2016

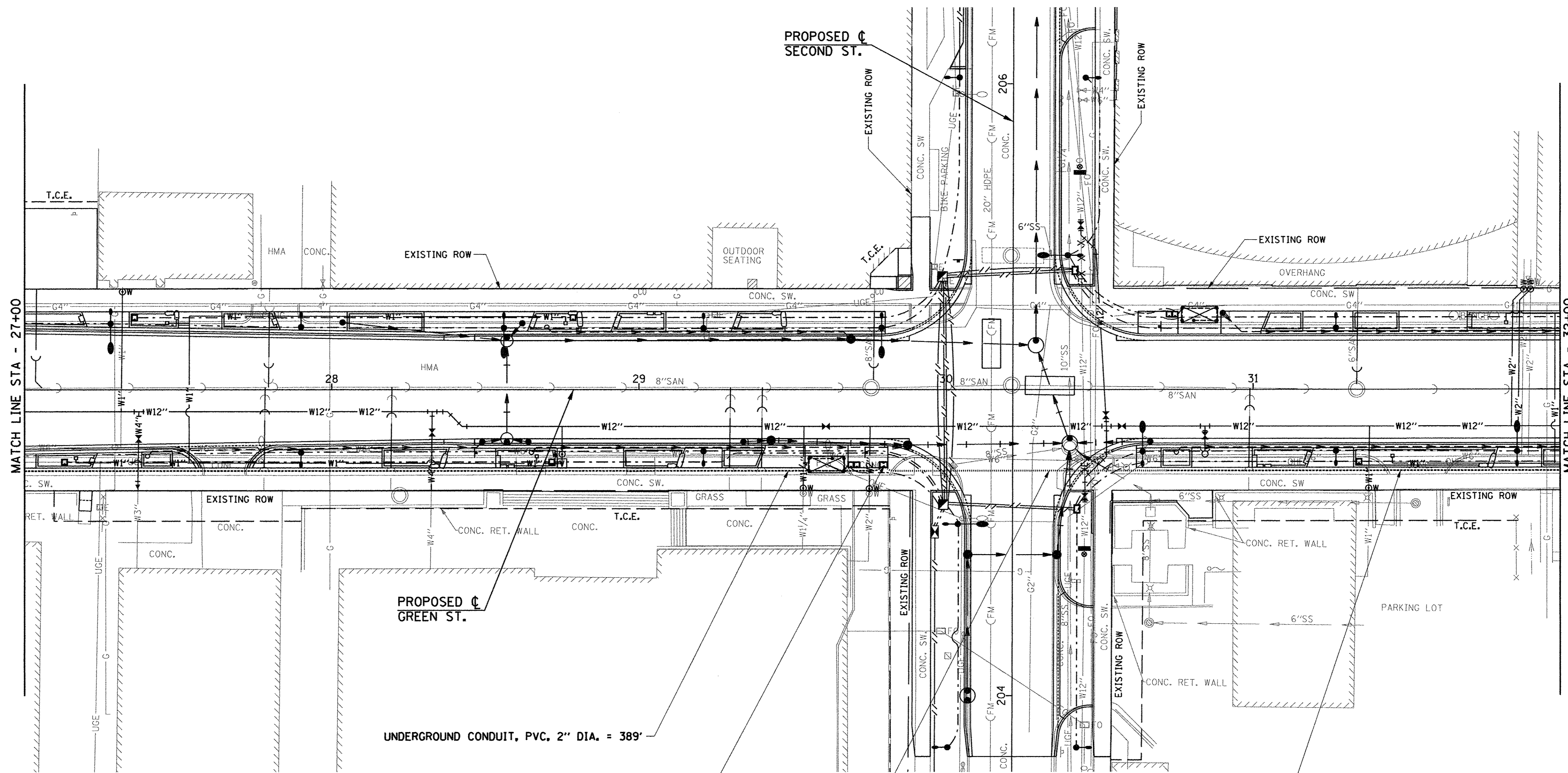
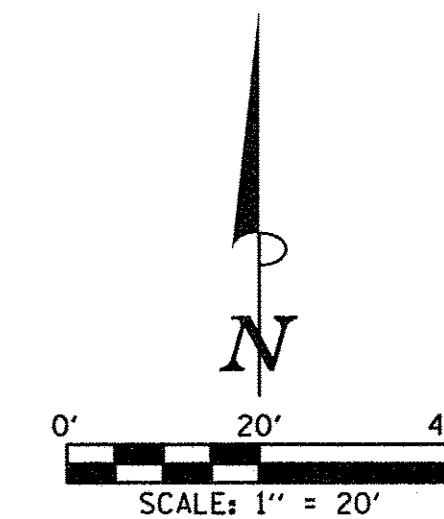
REVISED -
 REVISED -
 REVISED -
 REVISED -

STATE OF ILLINOIS
 DEPARTMENT OF TRANSPORTATION

TRAFFIC SIGNAL PLANS
 TRAFFIC SIGNAL INTERCONNECT PLAN

SCALE: 1"=20' SHEET NO. 280 OF 412 SHEETS STA. 22+00.00 TO STA. 27+00.00

F.A.U. RTE.	SECTION	COUNTY	TOTAL SHEETS	SHEET NO.
7126	15-00304-02-PV	CHAMPAIGN	412	280
MCORE PROJECT 2		CONTRACT NO. 91540		
JOB NO. C-95-306-16 ILLINOIS FED. AID PROJECT TIG-51810581				



UNDERGROUND CONDUIT, PVC, 2" DIA. = 389'

GULFBOX JUNCTION, COMPOSITE CONCRETE = 1 EACH
STA. 29+79.7, 24.5' RT

UNDERGROUND CONDUIT, PVC, 2" DIA. = 92'

UNDERGROUND CONDUIT, PVC, 2" DIA.
SEE NEXT SHEET

INTERCONNECT PLAN LEGEND

	PROPOSED	EXISTING
CONDUIT BORED AND PULLED
CONDUIT IN TRENCH
CONTROLLER CABINET	☒	☒
HANDHOLE, PCC	☑	☑
DOUBLE HANDHOLE, PCC	☑	☑
GULFBOX JUNCTION, COMPOSITE CONCRETE	☒	☒



FILE NAME = p:\c0010720_mcore\plans\sheets\Project2\p2-sht-signals-interconnect.dgn
PLOT DATE = 4/25/2016 9:50:16 AM

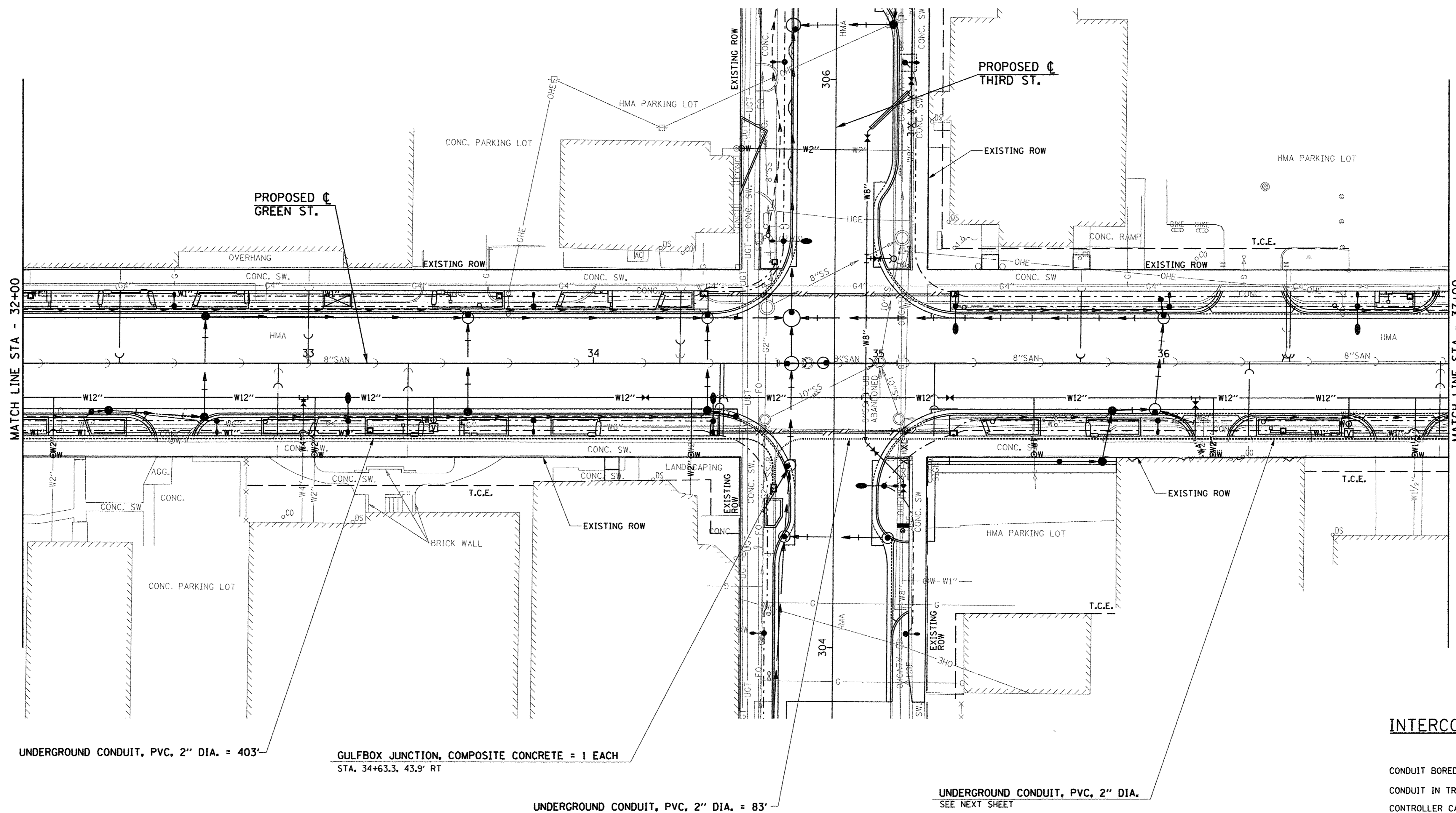
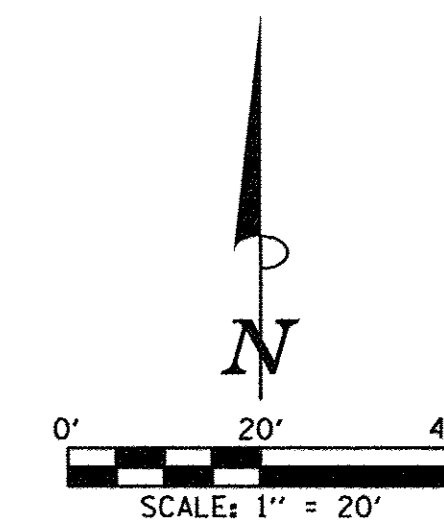
DESIGNED - CJD	REVISED -
DRAWN - CJD	REVISED -
CHECKED - AOA/JAJ	REVISED -
DATE - MARCH 2016	REVISED -

STATE OF ILLINOIS
DEPARTMENT OF TRANSPORTATION

TRAFFIC SIGNAL PLANS
TRAFFIC SIGNAL INTERCONNECT PLAN

SCALE : 1"=20' SHEET NO. 281 OF 412 SHEETS STA. 27+00.00 TO STA. 32+00.00

F.A.U. RTE.	SECTION	COUNTY	TOTAL SHEETS	SHEET NO.
7126	15-00304-02-PV	CHAMPAIGN	412	281
MCORE PROJECT 2		CONTRACT NO. 91540		
JOB NO. C-95-306-16 ILLINOIS FED. AID PROJECT TIG-51810581				



INTERCONNECT PLAN LEGEND

	PROPOSED	EXISTING
CONDUIT BORED AND PULLED
CONDUIT IN TRENCH
CONTROLLER CABINET	☒	☒
HANDHOLE, PCC	☑	☑
DOUBLE HANDHOLE, PCC	☑	☑
GULFBOX JUNCTION, COMPOSITE CONCRETE	☒	☒

UNDERGROUND CONDUIT, PVC, 2" DIA. = 403'

GULFBOX JUNCTION, COMPOSITE CONCRETE = 1 EACH
STA. 34+63.3, 43.9' RT

UNDERGROUND CONDUIT, PVC, 2" DIA. = 83'

UNDERGROUND CONDUIT, PVC, 2" DIA.
SEE NEXT SHEET



FILE NAME = p:\c0010720_mcore\plans\sheets\Project2\P2-sht-signals-interconnect.dgn
PLOT DATE = 4/25/2016 9:50:17 AM

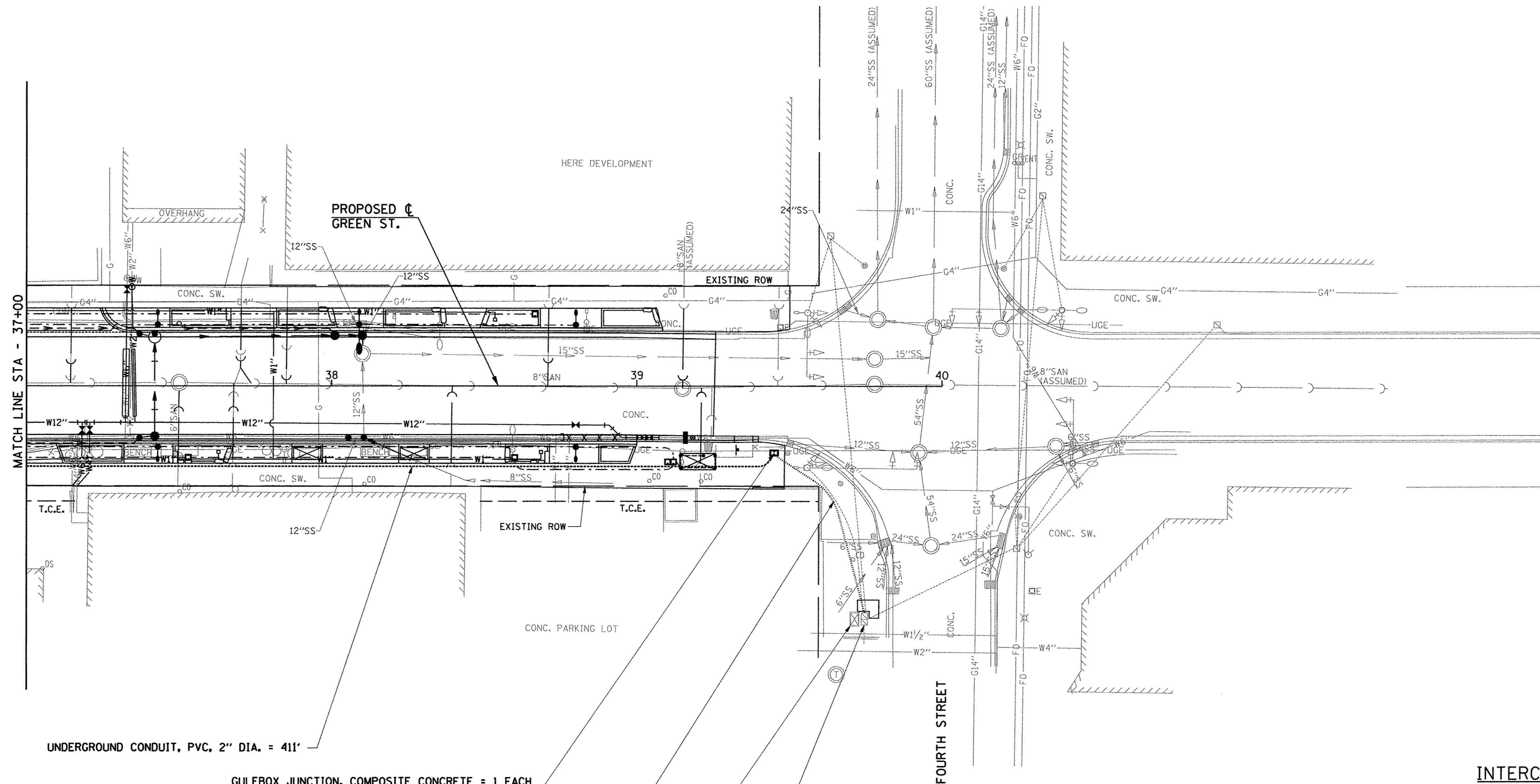
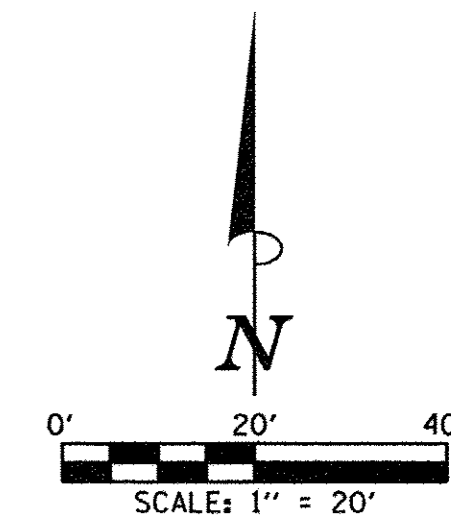
DESIGNED - CJD	REVISED -
DRAWN - CJD	REVISED -
CHECKED - AOA/JAJ	REVISED -
DATE - MARCH 2016	REVISED -

STATE OF ILLINOIS
DEPARTMENT OF TRANSPORTATION

TRAFFIC SIGNAL PLANS
TRAFFIC SIGNAL INTERCONNECT PLAN

SCALE : 1"=20' SHEET NO. 282 OF 412 SHEETS STA. 32+00.00 TO STA. 37+00.00

F.A.U. RTE.	SECTION	COUNTY	TOTAL SHEETS	SHEET NO.
7126	15-00304-02-PV	CHAMPAIGN	412	282
MCORE PROJECT 2			CONTRACT NO. 91540	
JOB NO. C-95-306-16 ILLINOIS FED. AID PROJECT T16-5181(0581)				



UNDERGROUND CONDUIT, PVC, 2" DIA. = 411'

GULFBOX JUNCTION, COMPOSITE CONCRETE = 1 EACH
STA. 39+45.00, 22.0' RT

UNDERGROUND CONDUIT, PVC, 2" DIA. = 63'

INSTALL FIBER OPTIC CABLE TO CONTROLLER CABINET. TERMINATE SIX SINGLE-MODE FIBERS AND SIX MULTI-MODE FIBERS IN CONTROLLER CABINET. SEE TECHNICAL SPECIFICATIONS.

DRILL EXISTING HANDHOLE = 1 EACH
STA. 39+74.6, 76.6' RT

INTERCONNECT PLAN LEGEND

	PROPOSED	EXISTING
CONDUIT BORED AND PULLED
CONDUIT IN TRENCH
CONTROLLER CABINET	☒	☒
HANDHOLE, PCC	☒	☒
DOUBLE HANDHOLE, PCC	☒	☒
GULFBOX JUNCTION, COMPOSITE CONCRETE	☒	☒



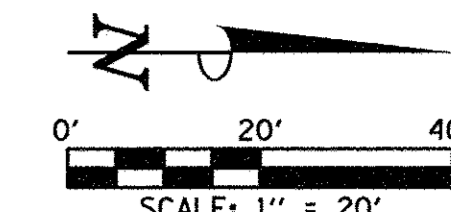
FILE NAME = p:\c0010720_mcore\plans\sheets\Project2\p2-sht-signals-interconnect.dgn
PLOT DATE = 3/23/2016 4:56:53 PM

DESIGNED - CJD	REVISED -
DRAWN - CJD	REVISED -
CHECKED - AOA/JAJ	REVISED -
DATE - MARCH 2016	REVISED -

STATE OF ILLINOIS
DEPARTMENT OF TRANSPORTATION

TRAFFIC SIGNAL PLANS
TRAFFIC SIGNAL INTERCONNECT PLAN
SCALE : 1"=20' SHEET NO. 283 OF 412 SHEETS STA. 37+00.00 TO STA. 40+00.00

F.A.U. RTE.	SECTION	COUNTY	TOTAL SHEETS	SHEET NO.
7126	15-00304-02-PV	CHAMPAIGN	412	283
MCORE PROJECT 2			CONTRACT NO. 91540	
JOB NO. C-95-306-16 ILLINOIS FED. AID PROJECT TIG-5181(05B)				



FOR TEMPORARY FEEDER AND LIGHTING CIRCUITS:
UNDERGROUND CONDUIT, PVC, 2" DIA.
ELECTRIC CABLE IN CONDUIT, 600V (XLP-TYPE
USE) 1/C (3) #4, (1) #4 GROUND, AND (2) #8

LOCATION OF WOOD POLE AND JUNCTION BOX
TO BE DETERMINED IN THE FIELD AS DIRECTED
BY THE ENGINEER.

SEE TEMPORARY ELECTRIC SERVICE INSTALLATION
DETAIL FOR ADDITIONAL INFORMATION.

PROVIDE TEMPORARY CONNECTION OF TEMPORARY FEEDER CIRCUIT
IN TRAFFIC SIGNAL CONTROLLER CABINET. PROVIDE TEMPORARY
CONNECTION OF GROUND WIRE.

REMOVE TEMPORARY CONNECTIONS AND MAKE CONNECTIONS TO
PERMANENT FEEDER CIRCUIT AND GROUND WIRE UPON REMOVAL
OF TEMPORARY SERVICE. REMOVE TEMPORARY CABLES AND
ABANDON TEMPORARY CONDUIT.

PROVIDE TEMPORARY CONNECTION OF ONE TEMPORARY LIGHTING CIRCUIT
TO TWO PERMANENT LIGHTING CIRCUITS AND ONE TEMPORARY LIGHTING
CIRCUIT. PROVIDE TEMPORARY CAP OF TWO PERMANENT RECEPTACLE
CIRCUITS. PROVIDE TEMPORARY CONNECTION OF GROUND WIRES.

REMOVE TEMPORARY CONNECTIONS AND CAPS AND MAKE CONNECTIONS
TO PERMANENT LIGHTING AND RECEPTACLE CIRCUITS AND GROUND WIRES
UPON REMOVAL OF TEMPORARY SERVICE. REMOVE TEMPORARY CABLES
AND ABANDON TEMPORARY CONDUIT.

BOTH THE TEMPORARY AND PERMANENT CONNECTIONS SHALL BE SEALED
TO PREVENT MOISTURE PENETRATION. PERMANENT CONNECTIONS SHALL
BE IRREVERSIBLE TYPE CONNECTIONS.

FOR TEMPORARY FEEDER CIRCUIT:
UNDERGROUND CONDUIT, PVC, 2" DIA.
ELECTRIC CABLE IN CONDUIT, 600V (XLP-
TYPE USE) 1/C (3) #4 AND (1) #4 GROUND

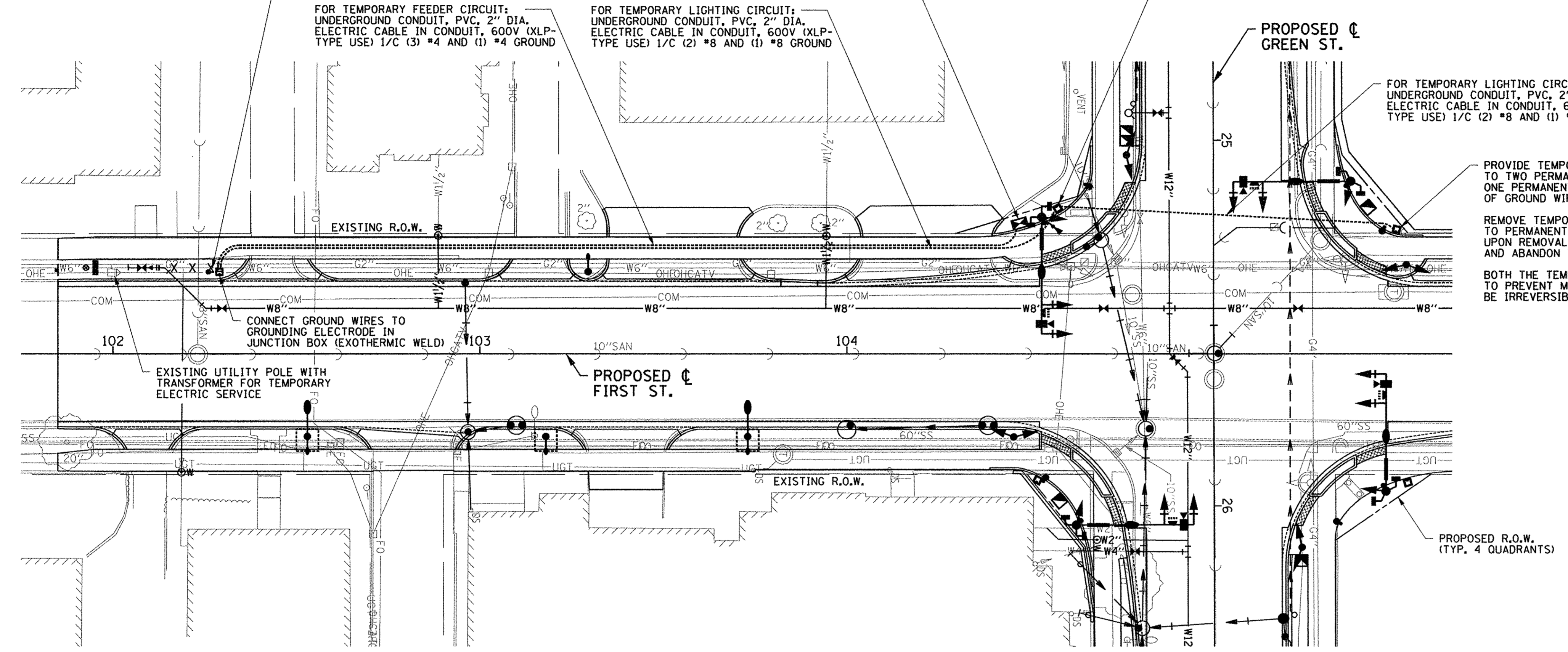
FOR TEMPORARY LIGHTING CIRCUIT:
UNDERGROUND CONDUIT, PVC, 2" DIA.
ELECTRIC CABLE IN CONDUIT, 600V (XLP-
TYPE USE) 1/C (2) #8 AND (1) #8 GROUND

FOR TEMPORARY LIGHTING CIRCUIT:
UNDERGROUND CONDUIT, PVC, 2" DIA.
ELECTRIC CABLE IN CONDUIT, 600V (XLP-
TYPE USE) 1/C (2) #8 AND (1) #8 GROUND

PROVIDE TEMPORARY CONNECTION OF ONE TEMPORARY LIGHTING CIRCUIT
TO TWO PERMANENT LIGHTING CIRCUITS. PROVIDE TEMPORARY CAP OF
ONE PERMANENT RECEPTACLE CIRCUIT. PROVIDE TEMPORARY CONNECTION
OF GROUND WIRES.

REMOVE TEMPORARY CONNECTIONS AND CAPS AND MAKE CONNECTIONS
TO PERMANENT LIGHTING AND RECEPTACLE CIRCUITS AND GROUND WIRES
UPON REMOVAL OF TEMPORARY SERVICE. REMOVE TEMPORARY CABLES
AND ABANDON TEMPORARY CONDUIT.

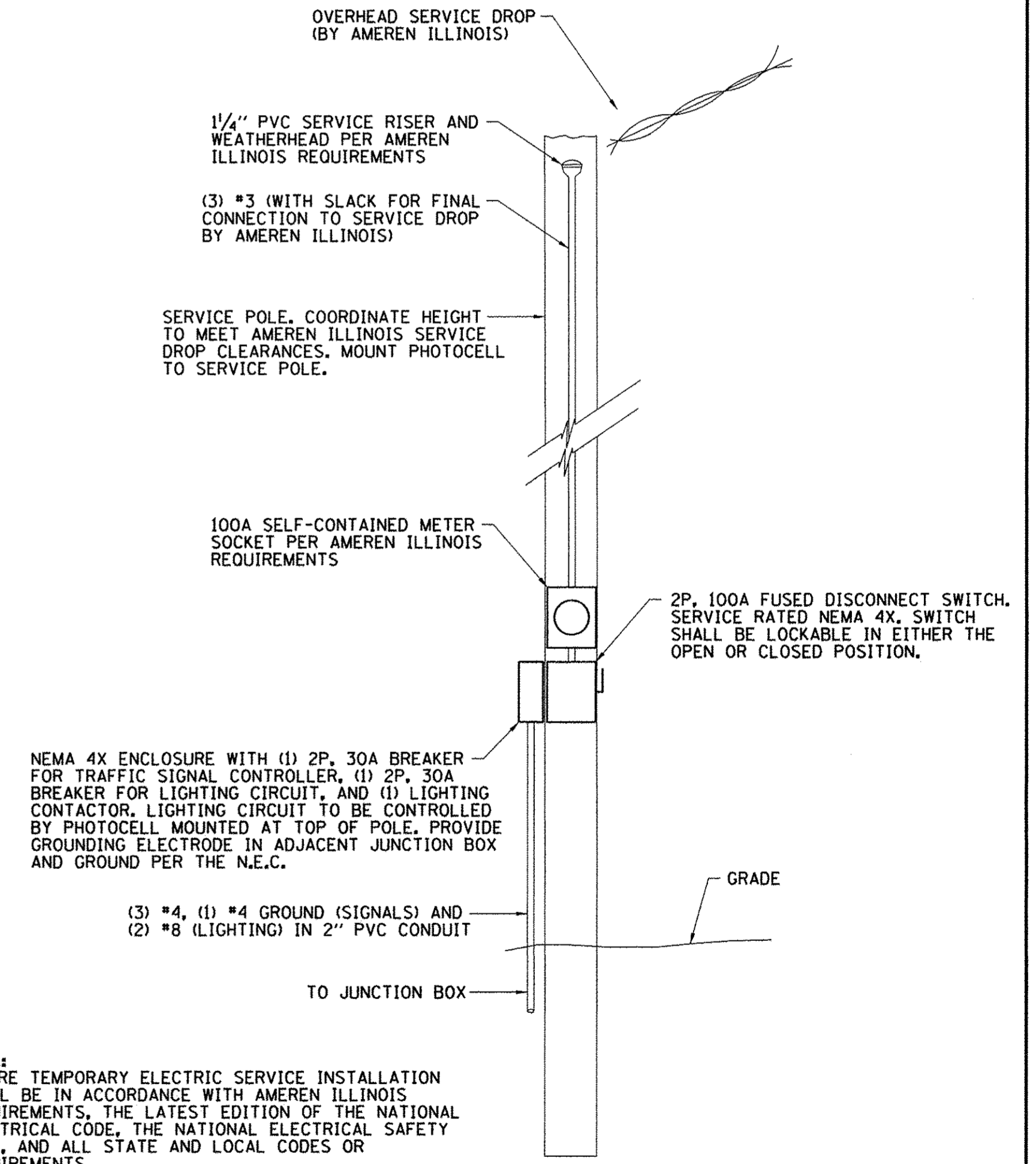
BOTH THE TEMPORARY AND PERMANENT CONNECTIONS SHALL BE SEALED
TO PREVENT MOISTURE PENETRATION. PERMANENT CONNECTIONS SHALL
BE IRREVERSIBLE TYPE CONNECTIONS.



TEMPORARY ELECTRIC SERVICE INSTALLATION BILL OF MATERIALS			
CODE NUMBER	ITEM	UNIT	TOTAL QUANTITY
X0323003	TEMPORARY ELECTRIC SERVICE INSTALLATION	EACH	1

ALL LABOR, EQUIPMENT, AND MATERIALS REQUIRED FOR THE TEMPORARY ELECTRIC SERVICE INSTALLATION SHALL BE INCLUDED IN THE COST OF THE TEMPORARY ELECTRIC SERVICE INSTALLATION. INDIVIDUAL ITEMS WILL NOT BE PAID FOR SEPARATELY. REFER TO THE TECHNICAL SPECIFICATIONS FOR ADDITIONAL INFORMATION.

REFER TO THE TRAFFIC SIGNAL PLANS AND ROADWAY LIGHTING PLANS FOR LOCATIONS OF THE PROPOSED TRAFFIC SIGNAL AND ROADWAY LIGHTING EQUIPMENT.



NOTE:
ENTIRE TEMPORARY ELECTRIC SERVICE INSTALLATION
SHALL BE IN ACCORDANCE WITH AMERN ILLINOIS
REQUIREMENTS, THE LATEST EDITION OF THE NATIONAL
ELECTRICAL CODE, THE NATIONAL ELECTRICAL SAFETY
CODE, AND ALL STATE AND LOCAL CODES OR
REQUIREMENTS.

TEMPORARY ELECTRIC SERVICE INSTALLATION DETAIL
NO SCALE



FILE NAME =
p:\c0010720_mcore\plans\sheets\Project2\p2-sht-signals-mot-service.dgn

PLOT DATE =
3/23/2016 4:56:55 PM

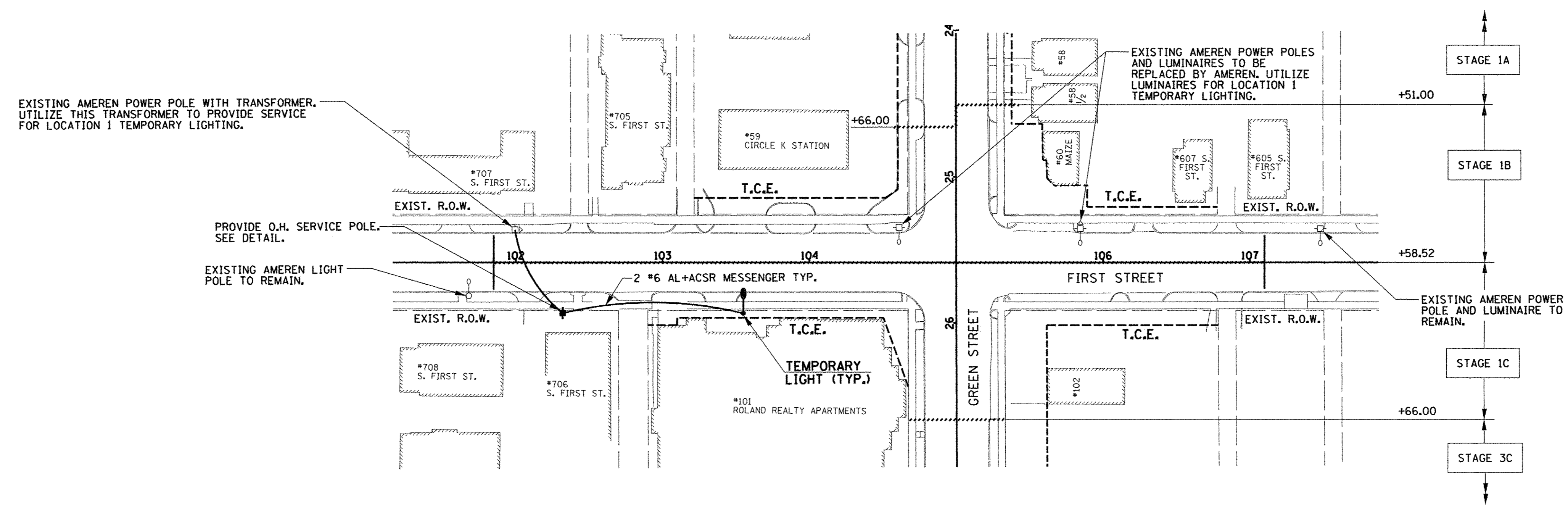
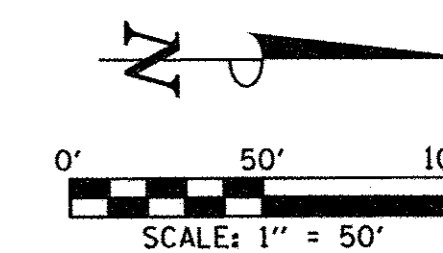
DESIGNED -	MLS	REVISED -	
DRAWN -	JAJ	REVISED -	
CHECKED -	LMZ	REVISED -	
DATE -	MARCH 2016	REVISED -	

STATE OF ILLINOIS
DEPARTMENT OF TRANSPORTATION

**TEMPORARY ELECTRIC SERVICE
INSTALLATION PLANS**

SCALE: 1"=20' SHEET NO. 284 OF 412 SHEETS STA. 102+00.00 TO STA. 105+50.00

F.A.U. RTE.	SECTION	COUNTY	TOTAL SHEETS	SHEET NO.
7126	15-00304-02-PV	CHAMPAIGN	412	284
MCORE PROJECT 2		CONTRACT NO. 91540		
JOB NO. C-95-306-16		ILLINOIS FED. AID PROJECT T1G-518105B1		



TEMPORARY LIGHTING - FIRST STREET
LOCATION 1

TEMPORARY LIGHTING BILL OF MATERIALS			
CODE NUMBER	ITEM	UNIT	TOTAL QUANTITY
X8410151	TEMPORARY LIGHTING SYSTEM, LOCATION 1	LSUM	1
X8410152	TEMPORARY LIGHTING SYSTEM, LOCATION 2	LSUM	1
X8410153	TEMPORARY LIGHTING SYSTEM, LOCATION 3	LSUM	1

TEMPORARY LIGHTING SCHEDULE			
LOCATION	STATION	OFFSET	DESCRIPTION
FIRST STREET	102+32.02	34.75' RT.	WOOD POLE WITH O.H. SERVICE AND METER
FIRST STREET	103+55.00	34.73' RT.	WOOD POLE WITH LUMINAIRE

NOTES

- 18' MINIMUM CLEARANCE FOR TEMPORARY LIGHTING WIRES CROSSING A STREET MUST BE MAINTAINED.
- CONTRACTOR SHALL INSTALL WARNING SIGNS ALERTING CONSTRUCTION WORKERS OF OVERHEAD WIRES.
- ALL TEMPORARY LIGHTING POLES, LUMINAIRES, SERVICE POLES AND ASSOCIATED WIRING SHALL BE REMOVED AT THE END OF STAGE CONSTRUCTION, ONCE PERMANENT LIGHTING HAS BEEN INSTALLED AND IS OPERATIONAL. THE CONTRACTOR SHALL TURN OVER LUMINAIRES TO THE CITY OF CHAMPAIGN.
- COORDINATE REMOVAL OF AMEREN ILLINOIS TEMPORARY LIGHTING AT THE END OF THIS STAGE OF CONSTRUCTION ONCE PERMANENT LIGHTING HAS BEEN INSTALLED AND IS OPERATIONAL.
- FURNISHING, INSTALLING, MAINTAINING, AND REMOVING THE TEMPORARY LIGHTING SYSTEM AS SHOWN HEREIN WILL BE PAID FOR AT THE CONTRACT LUMP SUM PRICE FOR TEMPORARY LIGHTING SYSTEM, LOCATION 1. INDIVIDUAL ITEMS WILL NOT BE PAID FOR SEPARATELY. SEE THE TECHNICAL SPECIFICATIONS FOR ADDITIONAL INFORMATION.

- LEGEND**
- TEMPORARY LIGHT MOUNTED ON WOOD POLE
 - WOOD POLE WITH METERS FOR TEMPORARY LIGHTING
 - AMEREN LIGHT MOUNTED ON POWER POLE WITH TRANSFORMER
 - AMEREN LIGHT MOUNTED ON POWER POLE
 - STAGE CONSTRUCTION LIMITS



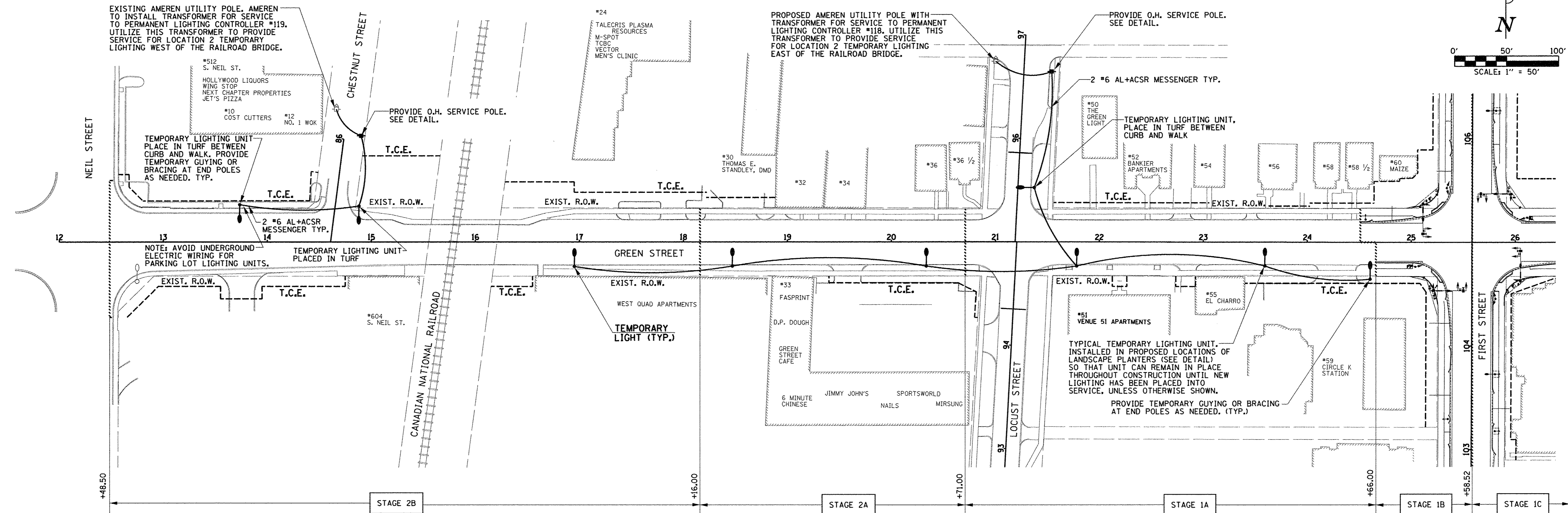
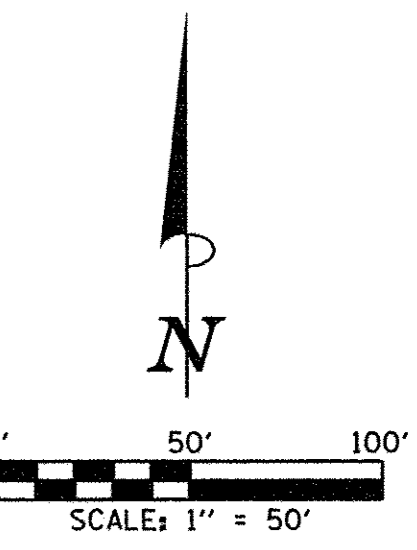
FILE NAME = P:\C0010720_MCORE\Plans\sheets\Project2\12-sht-motlighting.dgn
 PLOT DATE = 8/24/2016 2:43:08 PM

DESIGNED - R.J.H. REVISED - R.J.H.
 DRAWN - R.J.H. REVISED - R.J.H.
 CHECKED - M.L.S. REVISED - S.M.W.
 DATE - MARCH 2016 REVISED - AUGUST 2016

STATE OF ILLINOIS
 DEPARTMENT OF TRANSPORTATION

TEMPORARY LIGHTING PLANS
 LOCATION 1 - FIRST STREET
 SCALE : 1"=50' SHEET NO. 285 OF 412 SHEETS STA. TO STA.

F.A.U. RTE.	SECTION	COUNTY	TOTAL SHEETS	SHEET NO.
7126	15-00304-02-PV	CHAMPAIGN	412	285
MCORE PROJECT 2		CONTRACT NO. 91540		
JOB NO. C-95-306-16 ILLINOIS FED. AID PROJECT TIG-5181(05B)				



TEMPORARY LIGHTING - GREEN STREET
LOCATION 2

TEMPORARY LIGHTING SCHEDULE			
LOCATION	STATION	OFFSET	DESCRIPTION
GREEN STREET	13+73.50	36.10' LT.	WOOD POLE WITH LUMINAIRE
GREEN STREET	14+88.15	34.70' LT.	WOOD POLE WITH LUMINAIRE
CHESTNUT STREET	86+5.27	16.18' RT.	WOOD POLE WITH O.H. SERVICE AND METER
GREEN STREET	16+95.17	23.70' RT.	WOOD POLE WITH LUMINAIRE
GREEN STREET	18+47.05	23.35' RT.	WOOD POLE WITH LUMINAIRE
GREEN STREET	20+33.53	23.35' RT.	WOOD POLE WITH LUMINAIRE
GREEN STREET	21+78.28	23.36' RT.	WOOD POLE WITH LUMINAIRE
GREEN STREET	23+59.23	23.01' RT.	WOOD POLE WITH LUMINAIRE
GREEN STREET	24+60.47	35.75' RT.	WOOD POLE WITH LUMINAIRE
LOCUST STREET	95+53.36	15.71' RT.	WOOD POLE WITH LUMINAIRE
LOCUST STREET	96+65.80	26.68' RT.	WOOD POLE WITH O.H. SERVICE AND METER

NOTES

- 18" MINIMUM CLEARANCE FOR TEMPORARY LIGHTING WIRES CROSSING A STREET MUST BE MAINTAINED.
- CONTRACTOR SHALL INSTALL WARNING SIGNS ALERTING CONSTRUCTION WORKERS OF OVERHEAD WIRES.
- ALL TEMPORARY LIGHTING POLES, LUMINAIRES, SERVICE POLES AND ASSOCIATED WIRING SHALL BE REMOVED AT THE END OF STAGE CONSTRUCTION, ONCE PERMANENT LIGHTING HAS BEEN INSTALLED AND IS OPERATIONAL. THE CONTRACTOR SHALL TURN OVER LUMINAIRES TO THE CITY OF CHAMPAIGN.
- FURNISHING, INSTALLING, MAINTAINING, AND REMOVING THE TEMPORARY LIGHTING SYSTEM AS SHOWN HEREIN WILL BE PAID FOR AT THE CONTRACT LUMP SUM PRICE FOR TEMPORARY LIGHTING SYSTEM, LOCATION 2. INDIVIDUAL ITEMS WILL NOT BE PAID FOR SEPARATELY. SEE THE TECHNICAL SPECIFICATIONS FOR ADDITIONAL INFORMATION.

LEGEND

- - TEMPORARY LIGHT MOUNTED ON WOOD POLE
- - WOOD POLE WITH METERS FOR TEMPORARY LIGHTING
- - AMEREN LIGHT MOUNTED ON POWER POLE WITH TRANSFORMER
- - AMEREN LIGHT MOUNTED ON POWER POLE
- - STAGE CONSTRUCTION LIMITS



FILE NAME = P:\C0010720_MCORE\Plans\sheets\Project2\P2-sht-motlighting.dgn
PLOT DATE = 8/24/2016 2:43:31 PM

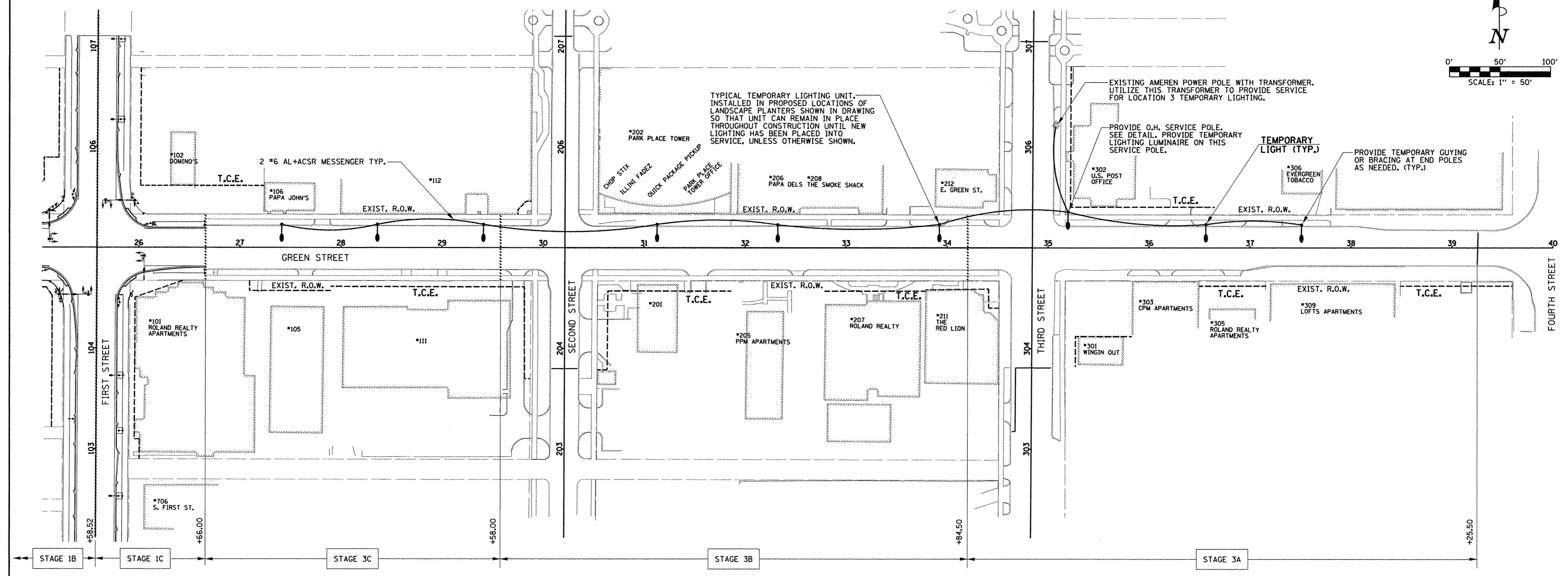
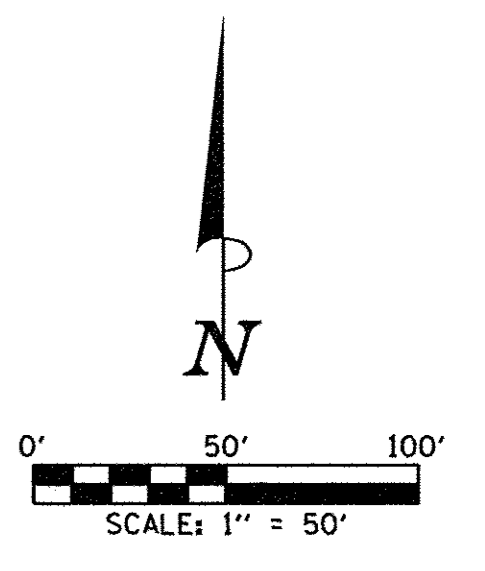
DESIGNED - R.J.H. REVISED - R.J.H.
DRAWN - R.J.H. REVISED - R.J.H.
CHECKED - M.L.S. REVISED - S.M.W.
DATE - MARCH 2016 REVISED - AUGUST 2016

STATE OF ILLINOIS
DEPARTMENT OF TRANSPORTATION

TEMPORARY LIGHTING PLANS
LOCATION 2 - GREEN STREET

SCALE: 1"=50' SHEET NO. 286 OF 412 SHEETS STA. TO STA.

F.A.U. RTE.	SECTION	COUNTY	TOTAL SHEETS	SHEET NO.
7126	15-00304-02-PV	CHAMPAIGN	412	286
MCORE PROJECT 2		CONTRACT NO. 91540		
JOB NO. C-95-306-16 ILLINOIS FED. AID PROJECT TIG-51810581				



TEMPORARY LIGHTING - GREEN STREET
LOCATION 3

TEMPORARY LIGHTING SCHEDULE			
LOCATION	STATION	OFFSET	DESCRIPTION
GREEN STREET	27+41.45	23.09' LT.	WOOD POLE WITH LUMINAIRE
GREEN STREET	28+36.18	23.21' LT.	WOOD POLE WITH LUMINAIRE
GREEN STREET	29+41.15	23.22' LT.	WOOD POLE WITH LUMINAIRE
GREEN STREET	31+12.99	23.33' LT.	WOOD POLE WITH LUMINAIRE
GREEN STREET	32+32.52	22.94' LT.	WOOD POLE WITH LUMINAIRE
GREEN STREET	33+94.48	23.28' LT.	WOOD POLE WITH LUMINAIRE
GREEN STREET	35+19.92	35.60' LT.	WOOD POLE WITH SERVICE, METER, AND LUMINAIRE
GREEN STREET	36+56.42	23.23' LT.	WOOD POLE WITH LUMINAIRE
GREEN STREET	37+51.07	22.86' LT.	WOOD POLE WITH LUMINAIRE

NOTES

- 18' MINIMUM CLEARANCE FOR TEMPORARY LIGHTING WIRES CROSSING A STREET MUST BE MAINTAINED.
- CONTRACTOR SHALL INSTALL WARNING SIGNS ALERTING CONSTRUCTION WORKERS OF OVERHEAD WIRES.
- ALL TEMPORARY LIGHTING POLES, LUMINAIRES, SERVICE POLES AND ASSOCIATED WIRING SHALL BE REMOVED AT THE END OF STAGE CONSTRUCTION, ONCE PERMANENT LIGHTING HAS BEEN INSTALLED AND IS OPERATIONAL. THE CONTRACTOR SHALL TURN OVER LUMINAIRES TO THE CITY OF CHAMPAIGN.
- FURNISHING, INSTALLING, MAINTAINING, AND REMOVING THE TEMPORARY LIGHTING SYSTEM AS SHOWN HEREIN WILL BE PAID FOR AT THE CONTRACT LUMP SUM PRICE FOR TEMPORARY LIGHTING SYSTEM, LOCATION 3. INDIVIDUAL ITEMS WILL NOT BE PAID FOR SEPARATELY. SEE THE TECHNICAL SPECIFICATIONS FOR ADDITIONAL INFORMATION.

LEGEND

- TEMPORARY LIGHT MOUNTED ON WOOD POLE
- WOOD POLE WITH METERS FOR TEMPORARY LIGHTING
- AMEREN LIGHT MOUNTED ON POWER POLE WITH TRANSFORMER
- AMEREN LIGHT MOUNTED ON POWER POLE
- STAGE CONSTRUCTION LIMITS



FILE NAME = P:\C0010720_MCORE\Plans\sheets\Project2\P2-sht-motlighting.dgn
 PLOT DATE = 8/24/2016 2:43:58 PM

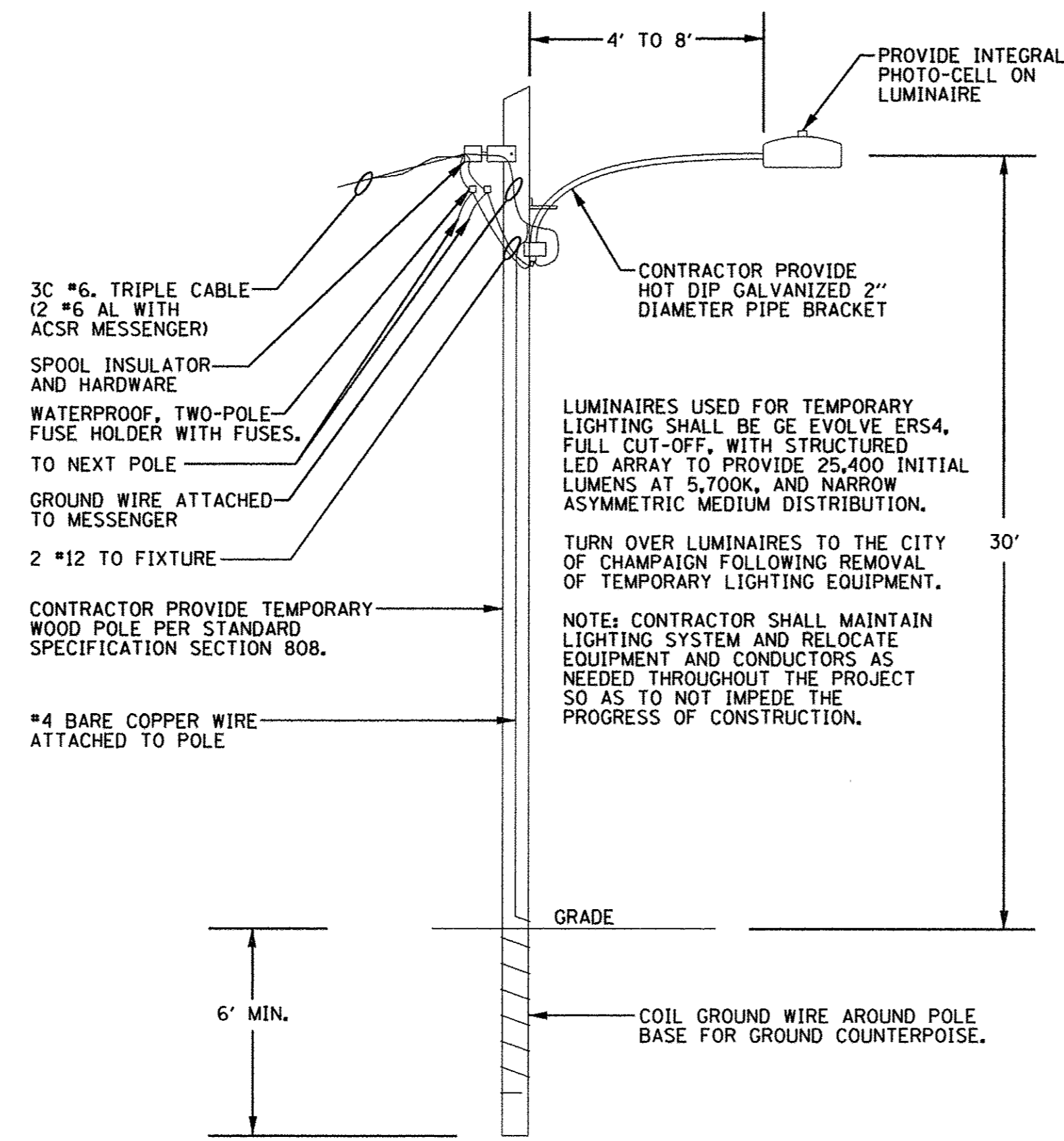
DESIGNED - R.J.H. REVISED - R.J.H.
 DRAWN - R.J.H. REVISED - R.J.H.
 CHECKED - M.L.S. REVISED - S.M.W.
 DATE - MARCH 2016 REVISED - AUGUST 2016

STATE OF ILLINOIS
DEPARTMENT OF TRANSPORTATION

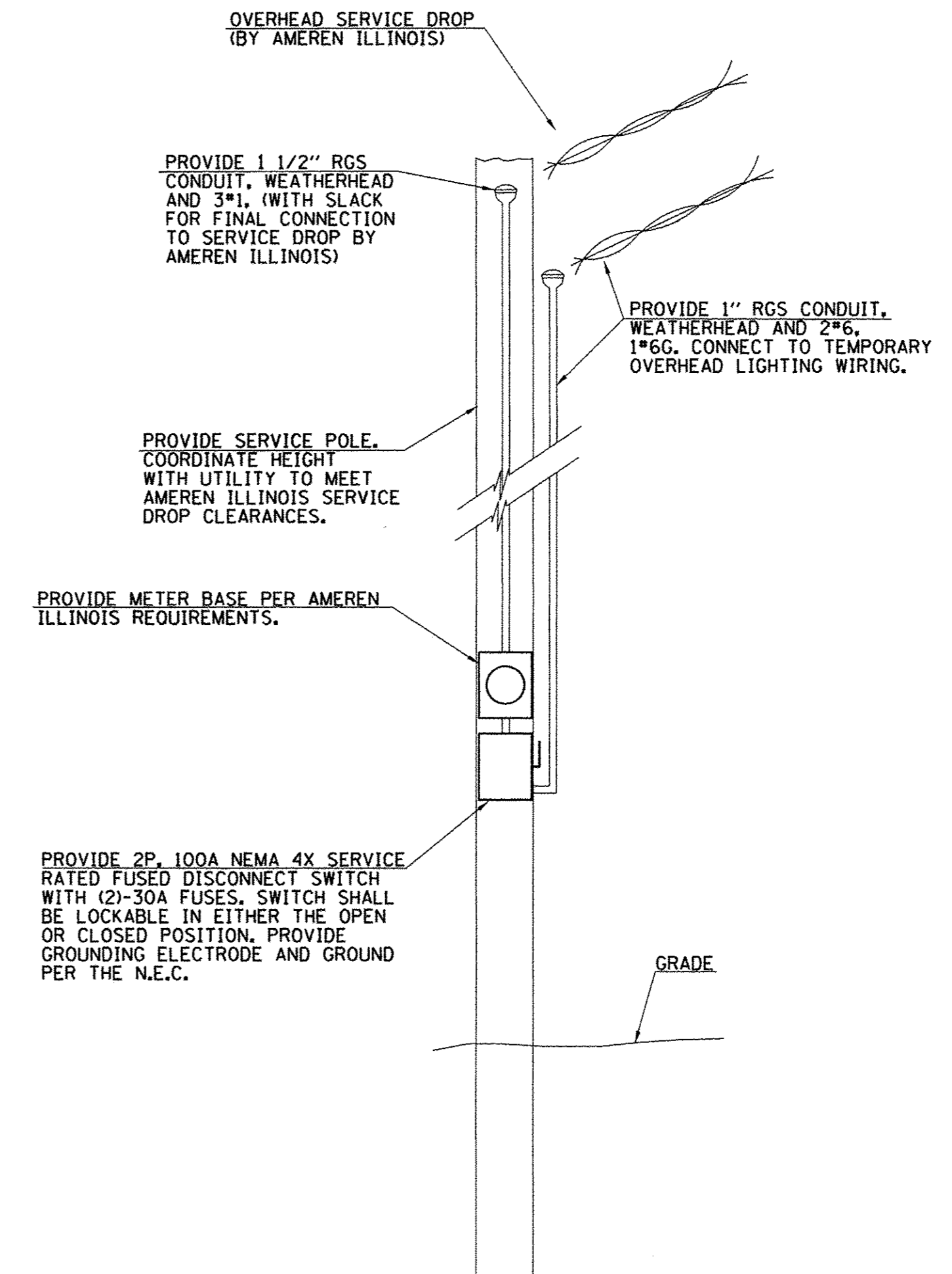
TEMPORARY LIGHTING PLANS
LOCATION 3 - GREEN STREET

SCALE: 1"=50' SHEET NO. 287 OF 412 SHEETS STA. TO STA.

F.A.U. RTE.	SECTION	COUNTY	TOTAL SHEETS	SHEET NO.
7126	15-00304-02-PV	CHAMPAIGN	412	287
MCORE PROJECT 2		CONTRACT NO. 91540		
JOB NO. C-95-306-16 ILLINOIS FED. AID PROJECT TIG-5181(058)				

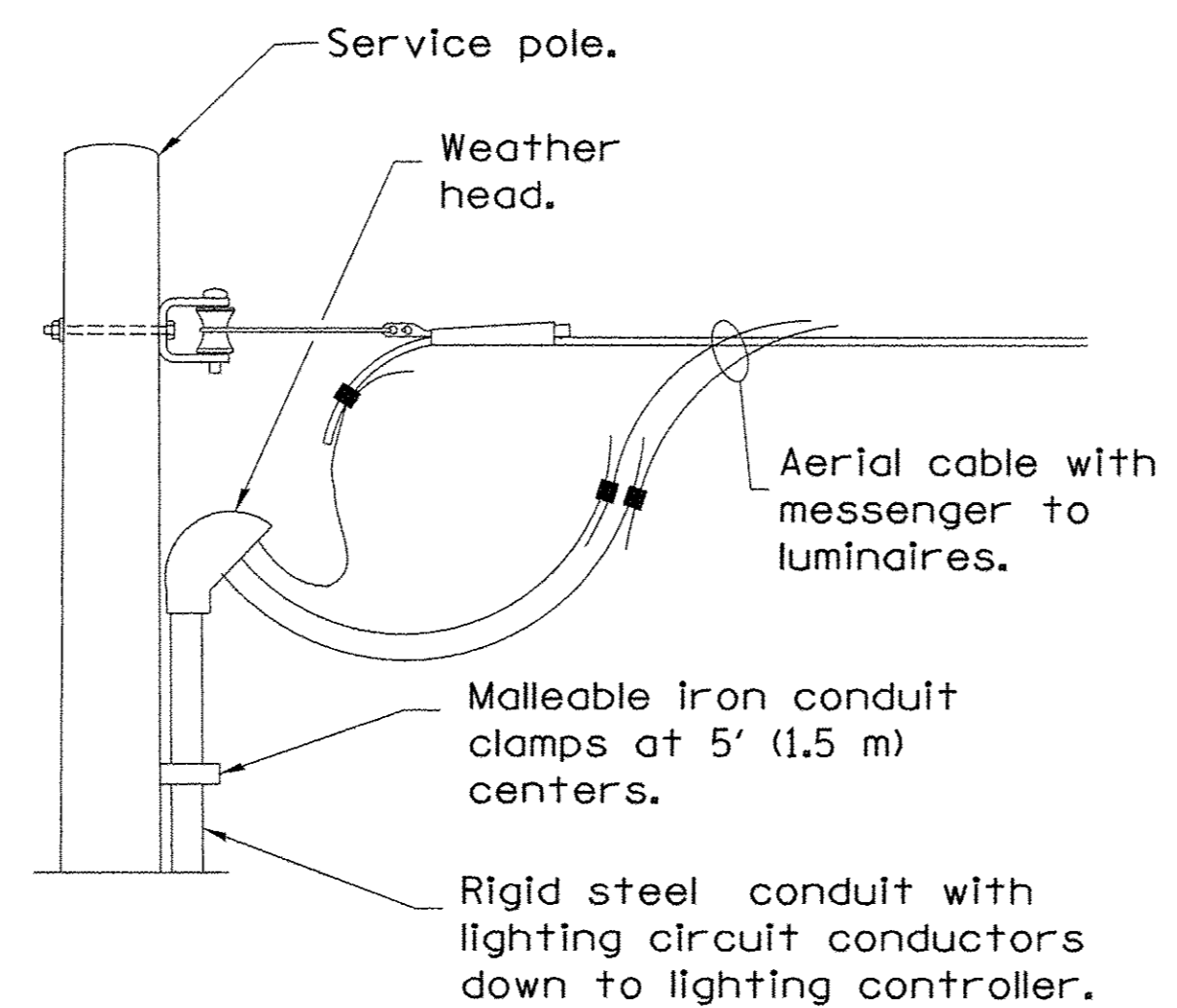


TEMPORARY LIGHTING UNIT DETAIL
NO SCALE

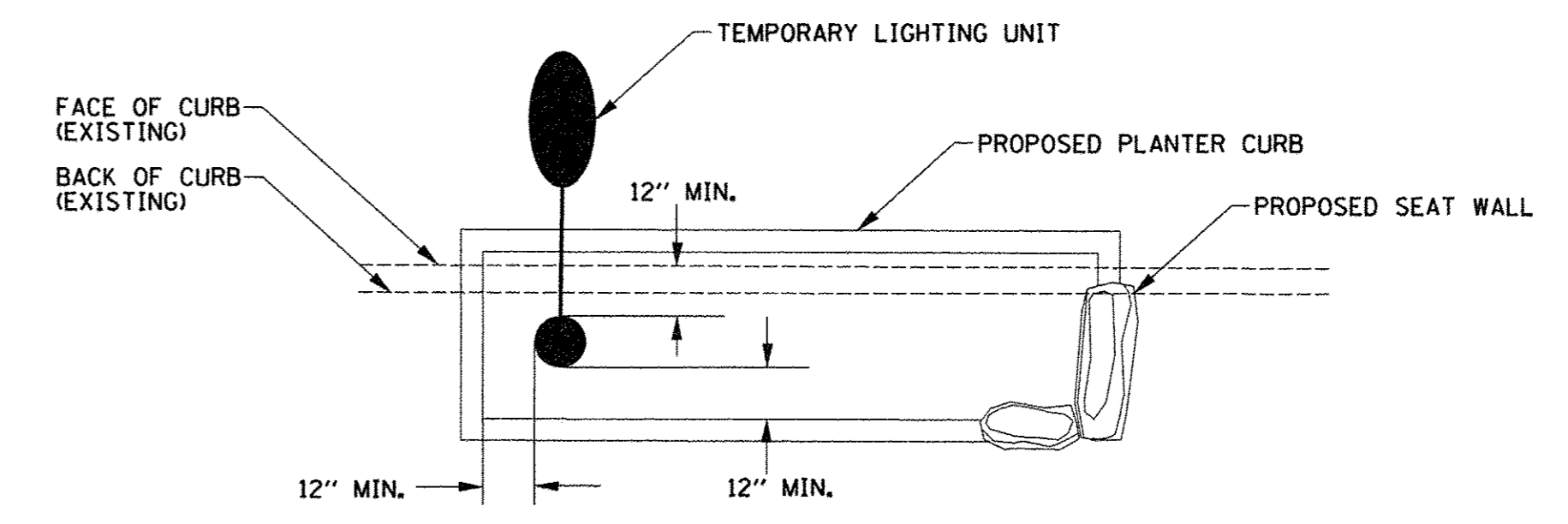


TEMPORARY SERVICE INSTALLATION DETAIL
NO SCALE

NOTE: ENTIRE SERVICE INSTALLATION SHALL BE IN ACCORDANCE WITH AMEREN ILLINOIS REQUIREMENTS, THE LATEST EDITION OF THE NATIONAL ELECTRICAL CODE, THE NATIONAL ELECTRICAL SAFETY CODE, AND ALL STATE AND LOCAL CODES OR REQUIREMENTS.



TYPICAL LIGHTING CIRCUIT AT SERVICE
NO SCALE



TYPICAL INSTALLATION WITHIN PROPOSED LANDSCAPE PLANTER DETAIL
NO SCALE

NOTE: TEMPORARY LIGHTING UNITS LOCATED SUCH THAT EQUIPMENT WILL NOT IMPACT CONSTRUCTION OF PROPOSED IMPROVEMENTS.

FILE NAME = p:\c0010720_mcore\plans\sheets\Project2\p2-sht-motlighting.dgn
PLOT DATE = 3/23/2016 4:57:00 PM

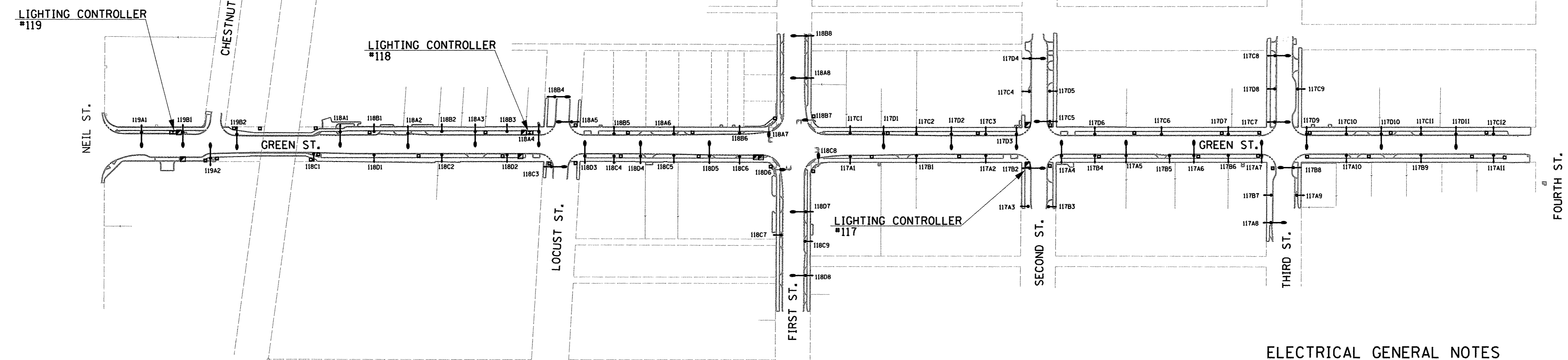
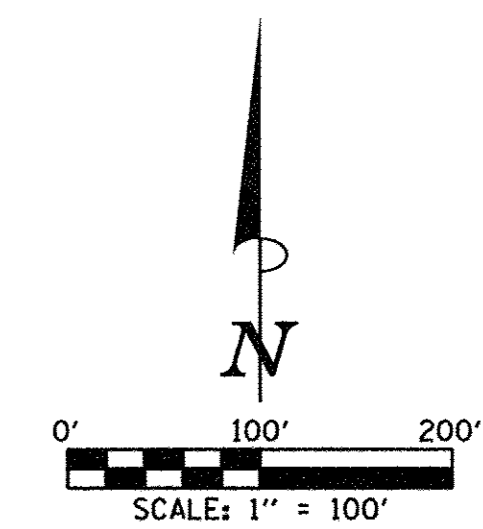
DESIGNED - R.J.H.	REVISED -
DRAWN - R.J.H.	REVISED -
CHECKED - M.L.S.	REVISED -
DATE - MARCH 2016	REVISED -

STATE OF ILLINOIS
DEPARTMENT OF TRANSPORTATION

**TEMPORARY LIGHTING PLANS
DETAILS**

SCALE : NONE SHEET NO. 288 OF 412 SHEETS STA. TO STA.

F.A.U. RTE.	SECTION	COUNTY	TOTAL SHEETS	SHEET NO.
7126	15-00304-02-PV	CHAMPAIGN	412	288
MCORE PROJECT 2			CONTRACT NO. 91540	
JOB NO. C-95-306-16 ILLINOIS FED. AID PROJECT TIG-518(05B)				



ELECTRICAL GENERAL NOTES

1. ALL ELECTRICAL WORK SHALL CONFORM TO THE REQUIREMENTS OF THE 2014 NATIONAL ELECTRICAL CODE, THE IDOT "STANDARD SPECIFICATIONS FOR ROAD AND BRIDGE CONSTRUCTION", AND ALL APPLICABLE LOCAL ORDINANCES.
2. THE CONTRACTOR SHALL FURNISH ALL MATERIALS FOR A COMPLETE AND WORKABLE SYSTEM.
3. THE CONTRACTOR SHALL BE RESPONSIBLE FOR OBTAINING ALL REQUIRED PERMITS AND FOR PROVIDING ALL SUPERVISION, LABOR, MATERIAL AND TOOLS FOR THE PROJECT.
4. ALL LOCATIONS AND DIMENSIONS SHOWN ARE APPROXIMATE. THE CONTRACTOR SHALL FIELD VERIFY ALL EQUIPMENT LOCATIONS AND EQUIPMENT DIMENSIONS.
5. ALL CONDUITS WITH WIRING SHALL BE PROVIDED WITH AN INSULATED COPPER GROUNDING CONDUCTOR SIZED AS NOTED ON PLANS AND IN ACCORDANCE WITH THE 2014 NATIONAL ELECTRICAL CODE.
6. ALL GROUNDING CONDUCTORS SHALL BE BONDED TOGETHER IN ALL HANDHOLES AND JUNCTION BOXES.
7. ALL SERVICE LATERAL CONDUITS SHALL BE SCHEDULE 40 PVC EXCEPT ALL ELBOWS AND VERTICAL RISERS SHALL BE RIGID GALVANIZED STEEL. ALL ELBOWS SHALL BE LONG RADIUS TYPE. CONTRACTOR SHALL VERIFY AND COMPLY WITH ALL AMEREN ILLINOIS REQUIREMENTS FOR THE SERVICE INSTALLATIONS.
8. CONDUIT ROUTING SHOWN IS SCHEMATIC ONLY. CONTRACTOR SHALL COORDINATE EXACT ROUTING AND INSTALLATION WITH ALL OTHER SITE WORK BEING PERFORMED. COORDINATE ALL POLE LOCATIONS WITH ENGINEER IN FIELD.
9. PROVIDE PULLSTRING IN ALL CONDUITS, INCLUDING THOSE CONDUITS WITH CONDUCTORS INSTALLED. THE PULL STRING SHALL BE INCLUDED IN THE COST OF THE CONDUITS AND NO ADDITIONAL COMPENSATION WILL BE ALLOWED.
10. THE CONTRACTOR SHALL TAG ALL ELECTRICAL CONDUCTORS (PHASE CONDUCTORS, NEUTRALS, AND GROUNDING) WITH PERMANENT TAGS. EACH CONDUCTOR SHALL BE TAGGED IN ALL CONCRETE HANDHOLES, JUNCTION BOXES, AND POLE HANDHOLES. THE TAG SHALL INDICATE THE LIGHTING CONTROLLER AND CIRCUIT NUMBER FROM WHICH THE CONDUCTORS ORIGINATE.
11. ALL CONDUITS SHALL BE 30" BELOW FINAL GRADE UNLESS OTHERWISE DIRECTED BY THE ENGINEER. CONTRACTOR IS RESPONSIBLE FOR REPAIR TO ALL UNDERGROUND UTILITIES DAMAGED DURING INSTALLATION OF ROADWAY LIGHTING AND PLANTER RECEPTACLE SYSTEMS.
12. GROUND RODS SHALL BE 3/4" DIAMETER x 10'-0" LONG COPPER CLAD STEEL. GROUNDING ELECTRODE CONDUCTORS SHALL BE #4 SOLID COPPER AND SHALL BE EXOTHERMICALLY WELDED TO GROUNDING ELECTRODE. GROUND ROD SHALL BE INSTALLED ONLY AT CONCRETE POLE FOUNDATIONS AND LIGHTING CONTROLLER.
13. POLE WIRING WILL NOT BE PAID FOR SEPARATELY BUT SHALL BE INCLUDED WITH THE LUMINAIRE PER ARTICLE 821.03 OF THE STANDARD SPECIFICATIONS.
14. WHERE EXISTING CONDUCTORS ARE TO BE ABANDONED IN PLACE, THE CONDUCTORS SHALL BE DISCONNECTED AND ISOLATED FROM EXISTING CONDUCTORS WHICH ARE TO REMAIN ENERGIZED.
15. THE CONTRACTOR SHALL USE CARE IN CONSTRUCTING THE LIGHT POLES THAT ARE NEAR TRENCH EXCAVATIONS FOR STORM SEWERS AND OTHER UTILITIES. THE CONTROLLED LOW-STRENGTH MATERIAL SHALL BE BLOCKED OUT AT THE CONCRETE FOUNDATION LOCATIONS TO ALLOW FOR THEIR LATER CONSTRUCTION AS DIRECTED BY THE ENGINEER.
16. THE EXISTING LIGHTING UNITS (LUMINAIRES AND POLES) THAT ARE NOTED TO BE SALVAGED SHALL REMAIN THE PROPERTY OF THE CITY OF CHAMPAIGN, AND SHALL BE MOVED TO AND STORED AT A LOCATION DESIGNATED BY THE ENGINEER FOR PICK UP BY THE CITY'S FORCES.
17. CONDUITS ARE INDICATED AS TRENCHED OR AUGERED FOR INFORMATION PURPOSES. ALL CONDUIT WILL BE PAID AT THE CONTRACT UNIT PRICE PER FOOT FOR UNDERGROUND CONDUIT OF THE TYPE AND SIZE SPECIFIED.

BILL OF MATERIALS			
CODE NUMBER	ITEM	UNIT	TOTAL QUANTITY
81028350	UNDERGROUND CONDUIT, PVC, 2" DIA.	FOOT	14006
81028370	UNDERGROUND CONDUIT, PVC, 3" DIA.	FOOT	477
81028400	UNDERGROUND CONDUIT, PVC, 5" DIA.	FOOT	78
81100300	CONDUIT ATTACHED TO STRUCTURE, 1" DIA., GALVANIZED STEEL	FOOT	226
81300550	JUNCTION BOX, STAINLESS STEEL, ATTACHED TO STRUCTURE, 12" X 12" X 6"	EACH	4
81400700	HANDHOLE, PORTLAND CEMENT CONCRETE	EACH	6
81500120	GULFBOX JUNCTION, COMPOSITE CONCRETE	EACH	9
81702120	ELECTRIC CABLE IN CONDUIT, 600V (XLP-TYPE USE) 1/C NO. 8	FOOT	32411
81702130	ELECTRIC CABLE IN CONDUIT, 600V (XLP-TYPE USE) 1/C NO. 6	FOOT	55955
81702140	ELECTRIC CABLE IN CONDUIT, 600V (XLP-TYPE USE) 1/C NO. 4	FOOT	3403
81702145	ELECTRIC CABLE IN CONDUIT, 600V (XLP-TYPE USE) 1/C NO. 3	FOOT	256
81702190	ELECTRIC CABLE IN CONDUIT, 600V (XLP-TYPE USE) 1/C NO. 4/0	FOOT	648
81702220	ELECTRIC CABLE IN CONDUIT, 600V (XLP-TYPE USE) 1/C NO. 350MCM	FOOT	1487
83600200	LIGHT POLE FOUNDATION, 24" DIAMETER	FOOT	184
84200500	REMOVAL OF LIGHTING UNIT, SALVAGE	EACH	9
84200600	REMOVAL OF LIGHTING UNIT, NO SALVAGE	EACH	11
84200804	REMOVAL OF POLE FOUNDATION	EACH	11
84500120	REMOVAL OF ELECTRIC SERVICE INSTALLATION	EACH	1
89502380	REMOVE EXISTING HANDHOLE	EACH	2
X0325541	REMOVE EXISTING LIGHTING SYSTEM	L SUM	1
X0326654	ORNAMENTAL LIGHT UNIT, COMPLETE	EACH	35
X8040102	ELECTRIC SERVICE INSTALLATION, SPECIAL	EACH	3
X8130110	JUNCTION BOX (SPECIAL)	EACH	42
X8130125	REMOVE EXISTING JUNCTION BOX	EACH	8
X8211000	UNDERPASS LUMINAIRE (SPECIAL)	EACH	6
X8250505	LIGHTING CONTROLLER, SPECIAL	EACH	3
X8360120	LIGHT POLE FOUNDATION, SPECIAL	EACH	6
X8360210	LIGHT POLE FOUNDATION, 24" DIAMETER, SPECIAL	FOOT	376
XX003614	RECEPTACLE (GFI TYPE) WITH WEATHERPROOF COVER	EACH	25
XX007468	PEDESTRIAN ST LIGHT	EACH	41
XX007797	LUMINAIRE (SPECIAL)	EACH	4



FILE NAME = p:\c0010720_mcore\plans\sheets\Project2\12-sht-1-lighting.dgn
 PLOT DATE = 4/25/2016 9:51:28 AM

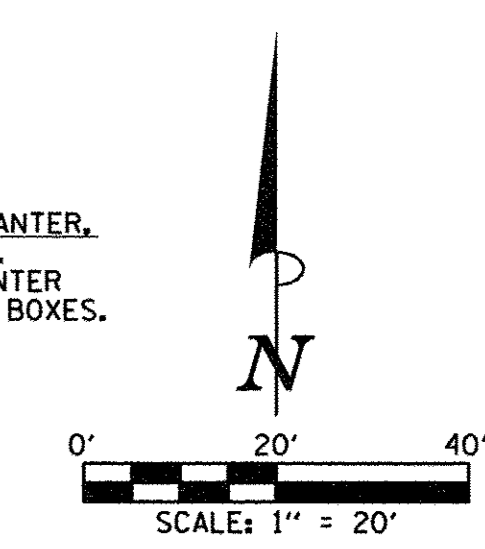
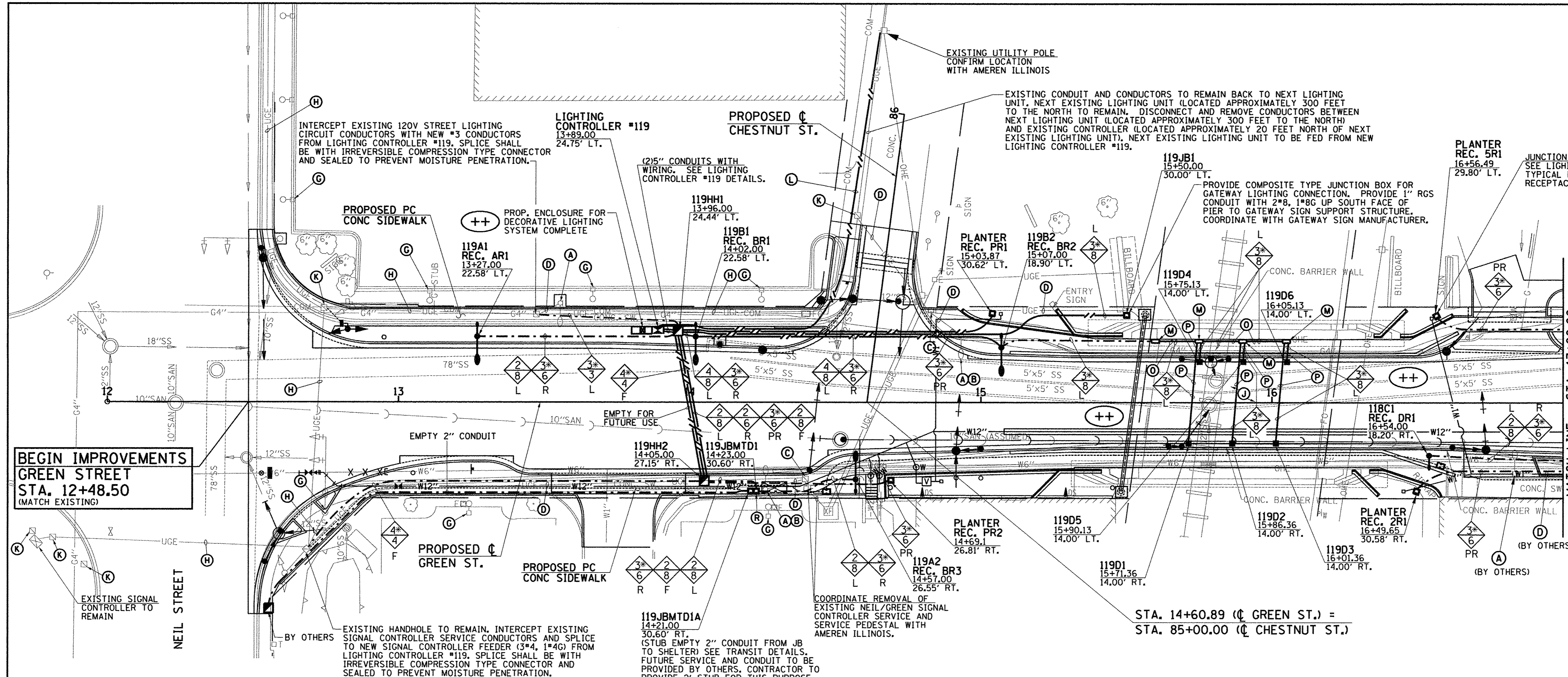
DESIGNED - M.L.S. REVISED -
 DRAWN - D.L.M. REVISED -
 CHECKED - L.M.Z. REVISED -
 DATE - MARCH 2016 REVISED -

STATE OF ILLINOIS
 DEPARTMENT OF TRANSPORTATION

ROADWAY LIGHTING PLANS - GREEN STREET

SCALE: 1"=100' SHEET NO. 289 OF 412 SHEETS STA. TO STA.

F.A.U. RTE.	SECTION	COUNTY	TOTAL SHEETS	SHEET NO.
7126	15-00304-02-PV	CHAMPAIGN	412	289
MCORE PROJECT 2			CONTRACT NO. 91540	
JOB NO. C-95-306-16 ILLINOIS FED. AID PROJECT TIG-5181(05B)				

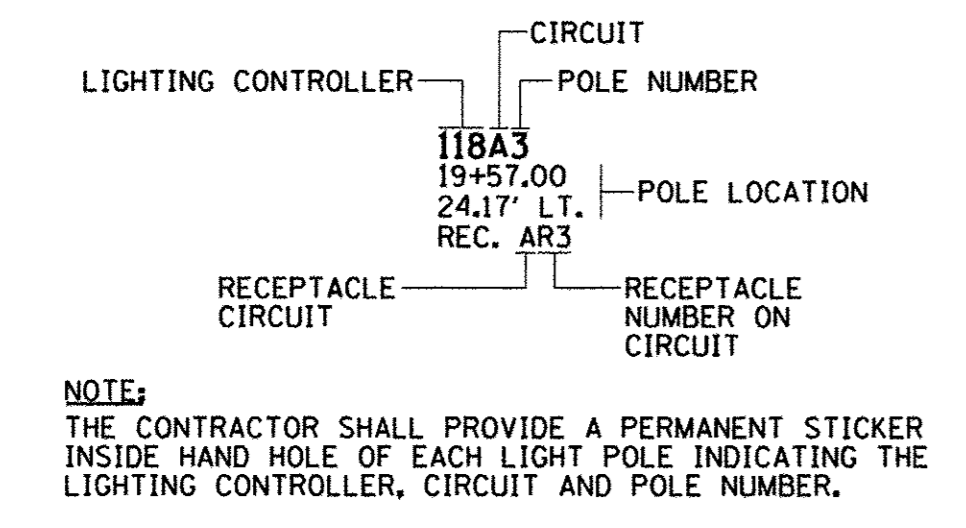


**BEGIN IMPROVEMENTS
GREEN STREET
STA. 12+48.50
(MATCH EXISTING)**

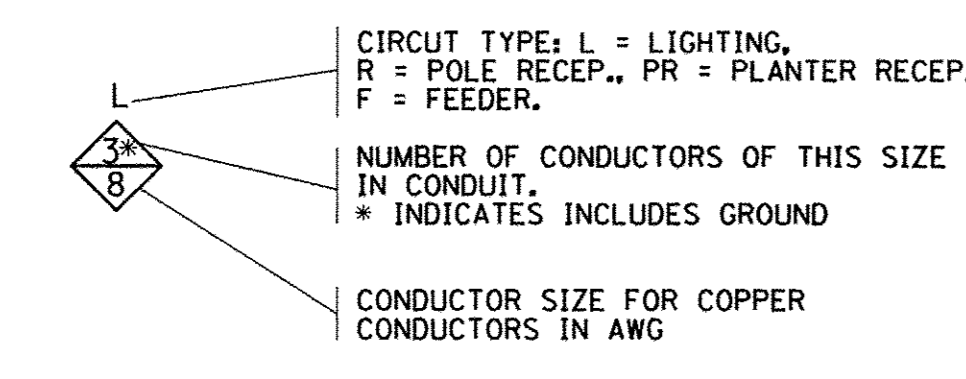
MATCH LINE - STA. 17+00.00

**STA. 14+60.89 (C GREEN ST.) =
STA. 85+00.00 (C CHESTNUT ST.)**

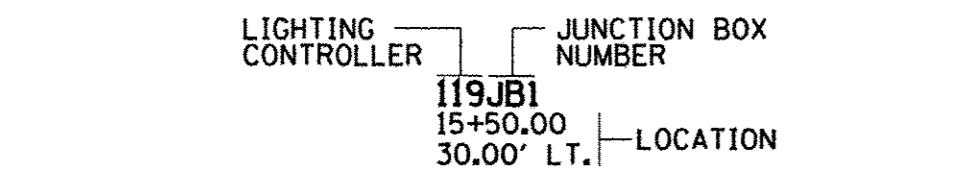
CIRCUIT DESIGNATION SCHEME



CONDUCTOR SYMBOL SCHEME



JUNCTION BOX DESIGNATION SCHEME



ROADWAY LIGHTING LEGEND

EXISTING	PROPOSED	DESCRIPTION
		COMBINATION DECORATIVE ROADWAY LUMINAIRE WITH DECORATIVE 8' ALUMINUM ARM AND DECORATIVE PEDESTRIAN LUMINAIRE WITH DECORATIVE 4' ALUMINUM ARM MOUNTED ON 34' DECORATIVE ALUMINUM POLE (INCLUDING GFI DUPLEX RECEPTACLE AND BANNER ARMS) PER SPECIAL PROVISIONS (ORNAMENTAL LIGHT UNIT, COMPLETE) WITH CONCRETE FOUNDATION
		DECORATIVE PEDESTRIAN LUMINAIRE WITH DECORATIVE 4' ALUMINUM ARM MOUNTED ON 16'-6\"/>

KEYED NOTES (THIS SHEET)

- (A) EXISTING LIGHTING UNIT (POLE AND LUMINAIRE) TO BE REMOVED COMPLETE.
- (B) EXISTING CONCRETE FOUNDATION TO BE REMOVED COMPLETE.
- (C) EXISTING HANDHOLE OR JUNCTION BOX TO BE REMOVED COMPLETE.
- (D) EXISTING CONDUIT AND CONDUCTORS TO BE CUT OFF BELOW GRADE AND ABANDONED IN PLACE.
- (G) EXISTING LIGHTING UNIT (POLE AND LUMINAIRE) TO REMAIN.
- (H) EXISTING CONDUIT AND CONDUCTORS TO REMAIN.
- (J) REMOVE SIX EXISTING WALL MOUNTED 250W HPS AREA LIGHTS, FOUR FLASHING LIGHTS AT SIGNS AND ALL ASSOCIATED CONDUIT AND WIRING BACK TO HANDHOLE. THIS WORK WILL BE PAID FOR AT THE CONTRACT LUMP SUM PRICE FOR REMOVE EXISTING LIGHTING SYSTEM. REMOVAL OF INDIVIDUAL ITEMS WILL NOT BE PAID FOR SEPARATELY.
- (K) EXISTING HANDHOLE OR JUNCTION BOX TO REMAIN.
- (L) PROVIDE UNDERGROUND SERVICE CONSISTING OF 3/4\"/>

(++) REFER TO THE GATEWAY LIGHTING PLANS FOR THE ADDITIONAL EQUIPMENT TO BE INSTALLED FOR THE DECORATIVE LIGHTING SYSTEM COMPLETE AT THE LIGHTING CONTROLLER AND THE VIADUCT.

FILE NAME = p:\c0010720_mcore\plans\sheet2\Project2\sh-11ghting.dgn
PLOT DATE = 3/29/2016 4:57:05 PM

DESIGNED - M.L.S.	REVISED -
DRAWN - D.L.M.	REVISED -
CHECKED - L.M.Z.	REVISED -
DATE - MARCH 2016	REVISED -

STATE OF ILLINOIS
DEPARTMENT OF TRANSPORTATION

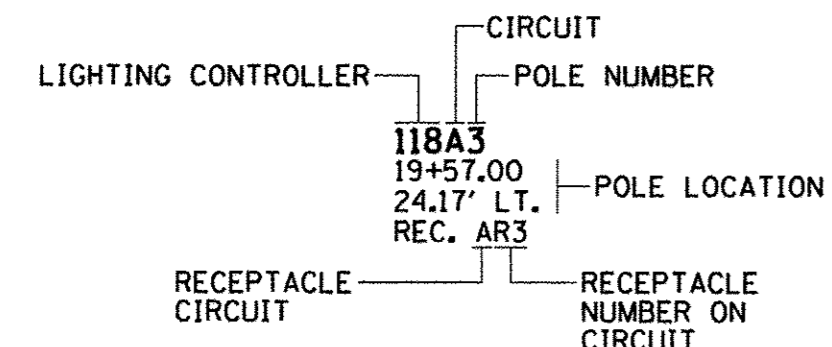
ROADWAY LIGHTING PLANS - GREEN STREET

SCALE: 1\"/>

F.A.U. RTE.	SECTION	COUNTY	TOTAL SHEETS	SHEET NO.
7126	15-00304-02-PV	CHAMPAIGN	412	290
MCORE PROJECT 2 CONTRACT NO. 91540				
JOB NO. C-95-306-16 ILLINOIS FED. AID PROJECT T16-5181(058)				

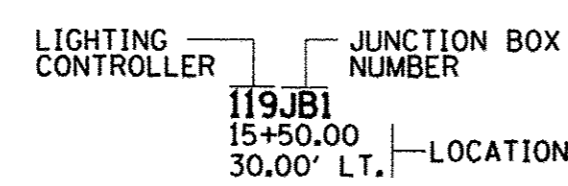


CIRCUIT DESIGNATION SCHEME

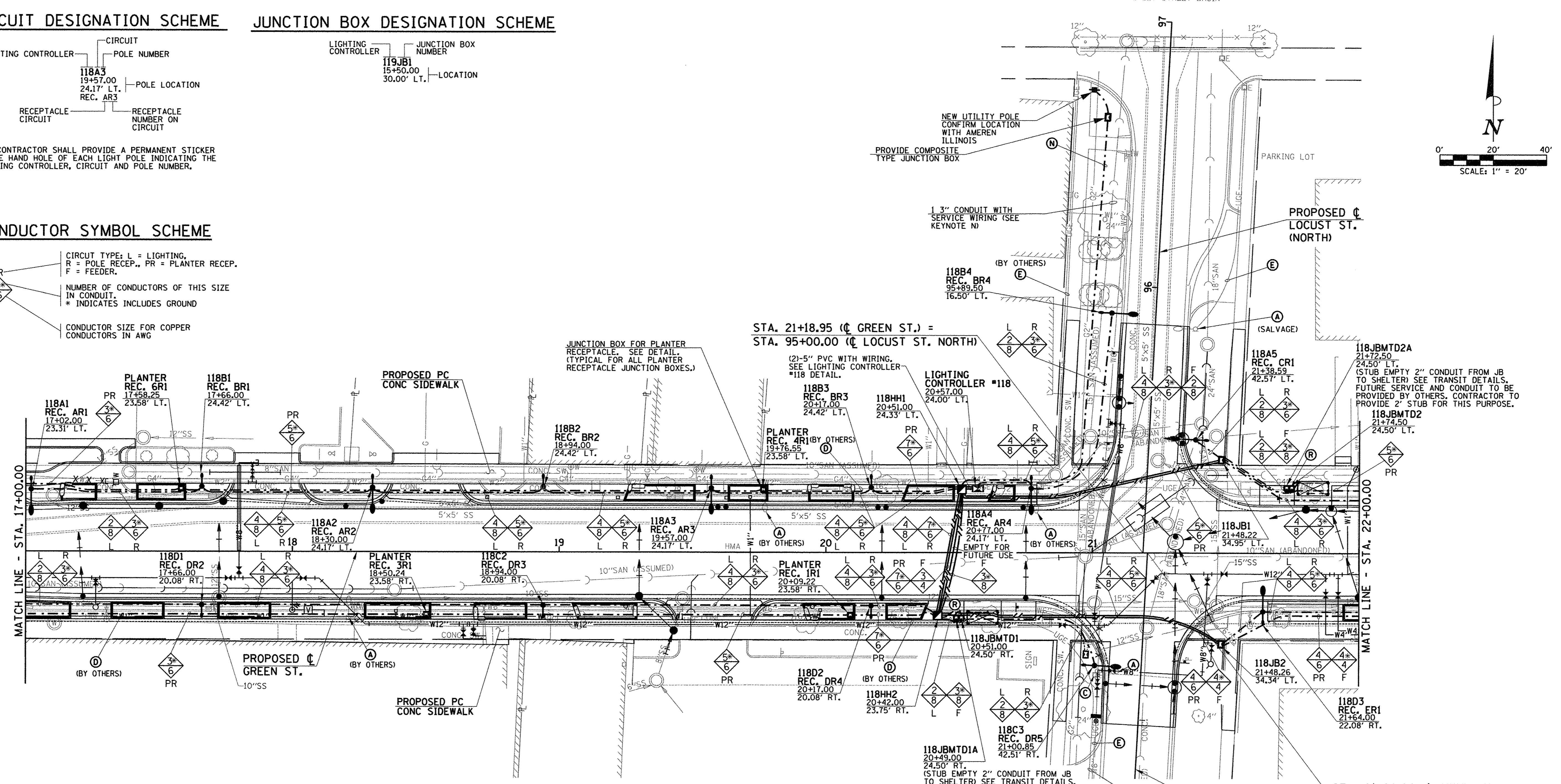
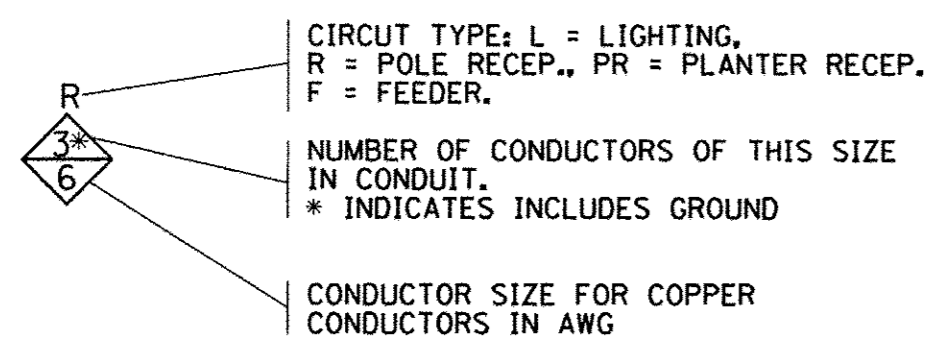


NOTE:
THE CONTRACTOR SHALL PROVIDE A PERMANENT STICKER INSIDE HAND HOLE OF EACH LIGHT POLE INDICATING THE LIGHTING CONTROLLER, CIRCUIT AND POLE NUMBER.

JUNCTION BOX DESIGNATION SCHEME



CONDUCTOR SYMBOL SCHEME



ROADWAY LIGHTING LEGEND

EXISTING	PROPOSED	DESCRIPTION	EXISTING	PROPOSED	DESCRIPTION
		COMBINATION DECORATIVE ROADWAY LUMINAIRE WITH DECORATIVE 8' ALUMINUM ARM AND DECORATIVE PEDESTRIAN LUMINAIRE WITH DECORATIVE 4' ALUMINUM ARM MOUNTED ON 34' DECORATIVE ALUMINUM POLE (INCLUDING GFI DUPLEX RECEPTACLE AND BANNER ARMS) PER SPECIAL PROVISIONS (ORNAMENTAL LIGHT UNIT, COMPLETE) WITH CONCRETE FOUNDATION			ROADWAY LIGHTING UNIT WITH HIGH PRESSURE SODIUM TYPE LUMINAIRE AND POLE
		DECORATIVE PEDESTRIAN LUMINAIRE WITH DECORATIVE 4' ALUMINUM ARM MOUNTED ON 16'-6" DECORATIVE ALUMINUM POLE (INCLUDING GFI DUPLEX RECEPTACLE AND BANNER ARMS) PER SPECIAL PROVISIONS (PEDESTRIAN ST LIGHT) WITH CONCRETE FOUNDATION			PORTLAND CEMENT CONCRETE HANDHOLE
		DECORATIVE ROADWAY LUMINAIRE WITH DECORATIVE 15' STEEL ARM MOUNTED ON 35' TRAFFIC SIGNAL POLE PER SPECIAL PROVISIONS			COMPOSITE TYPE JUNCTION BOX, SPECIAL (12"W x 12"L x 12"D)
		UNDERPASS LUMINAIRE (SPECIAL), PER SPECIAL PROVISIONS, MOUNTED TO VIADUCT STRUCTURE			GULFBOX JUNCTION, COMPOSITE CONCRETE (13"W x 24"L x 12"D)
					2" PVC CONDUIT (SCHEDULE 80), AUGURED 2" PVC CONDUIT (SCHEDULE 40), TRENCHED
					UNDERGROUND CONDUIT OVERHEAD ELECTRICAL CONDUCTORS
					WALL MOUNTED JUNCTION BOX

KEYED NOTES (THIS SHEET)

- (A) EXISTING LIGHTING UNIT (POLE AND LUMINAIRE) TO BE REMOVED COMPLETE.
 - (C) EXISTING HANDHOLE OR JUNCTION BOX TO BE REMOVED COMPLETE.
 - (D) EXISTING CONDUIT AND CONDUCTORS TO BE CUT OFF BELOW GRADE AND ABANDONED IN PLACE.
 - (E) REMOVE EXISTING CONDUCTORS BACK TO NEAREST JUNCTION BOX OR LIGHTING UNIT TO REMAIN. CUT OFF CONDUIT BELOW GRADE AND ABANDON IN PLACE.
 - (N) PROVIDE UNDERGROUND SERVICE CONSISTING OF 3/4"Ø, IN 2" PVC CONDUIT. EXTEND TO AMEREN ILLINOIS UTILITY POLE. COORDINATE WITH AMEREN ILLINOIS. SEE DETAIL.
 - (R) PROVIDE COMPOSITE TYPE JUNCTION BOX FOR LIGHTING/POWER CONNECTING TO MTD BUS SHELTER. PROVIDE 2" CONDUIT TO REAR LEG OF SHELTER FOR LIGHTING/POWER WIRING. COORDINATE WITH SHELTER MANUFACTURER. IN JUNCTION BOX, CONNECT SHELTER LIGHTING TO ROADWAY LIGHTING CIRCUIT AND CONNECT SHELTER POWER TO FEEDER CIRCUIT.
- (B) (F) (G) (H) (I) (J) (K) (L) (M) (O) (P) (Q) (S) NOT USED



FILE NAME = p:\c0010720_moore\plans\sheets\Project2\2-sht-lighting.dgn
PLOT DATE = 3/23/2016 4:57:11 PM

DESIGNED - M.L.S.
DRAWN - D.L.M.
CHECKED - L.M.Z.
DATE - MARCH 2016

REVISED -
REVISED -
REVISED -
REVISED -

STATE OF ILLINOIS
DEPARTMENT OF TRANSPORTATION

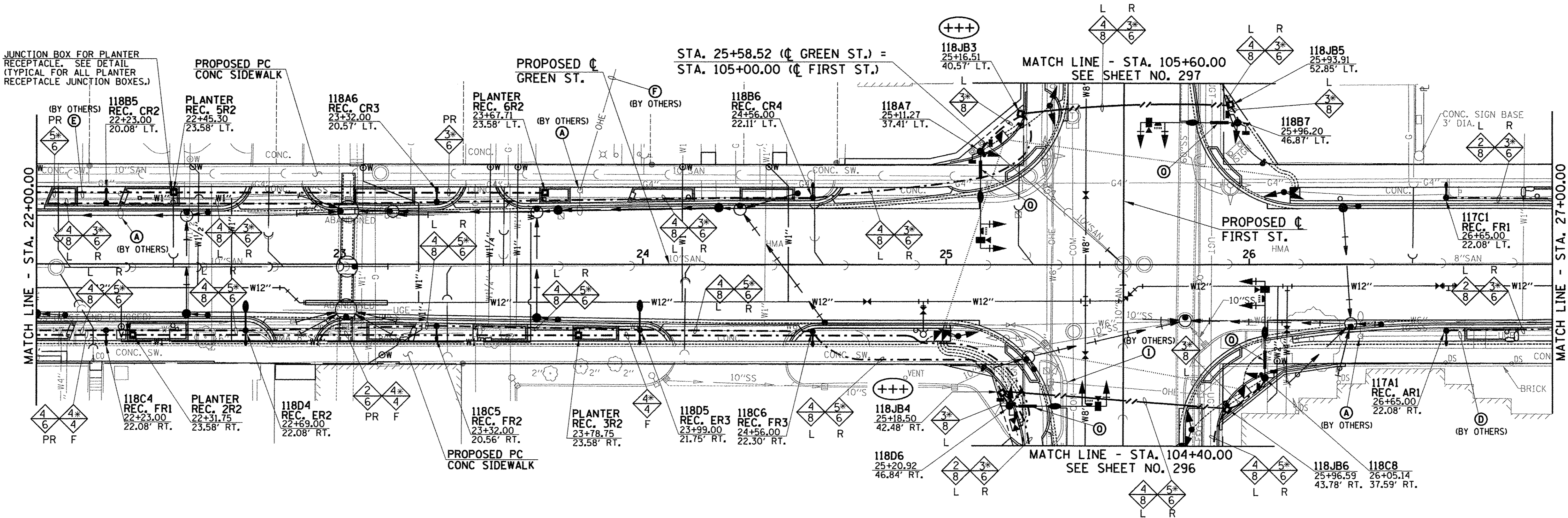
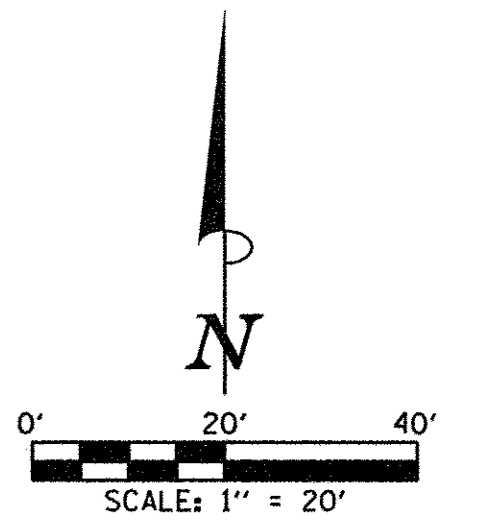
ROADWAY LIGHTING PLANS - GREEN STREET

SCALE : 1"=20' SHEET NO. 291 OF 412 SHEETS STA. 17+00.00 TO STA. 22+00.00

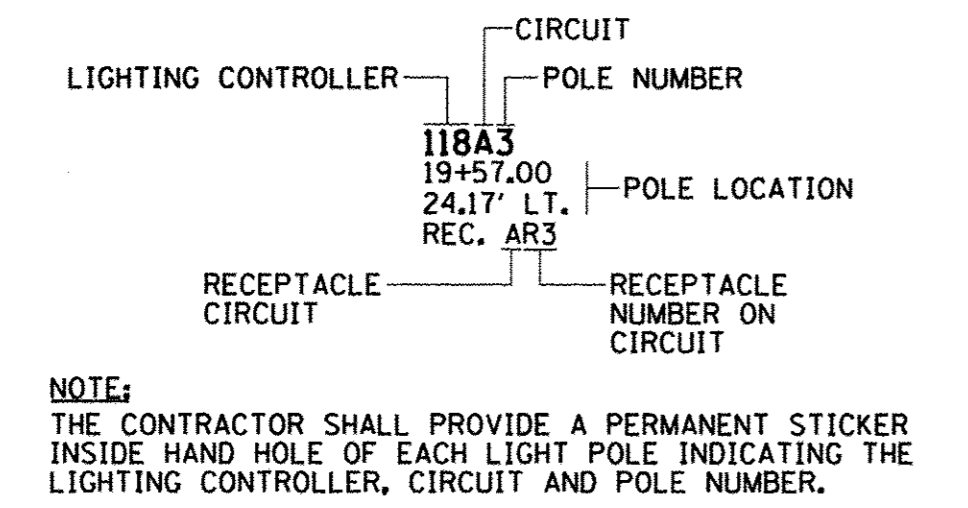
F.A.U. RTE.	SECTION	COUNTY	TOTAL SHEETS	SHEET NO.
7126	15-00304-02-PV	CHAMPAIGN	412	291

MCORE PROJECT 2 CONTRACT NO. 91540
JOB NO. C-95-306-16 ILLINOIS FED. AID PROJECT TIG-518(058)

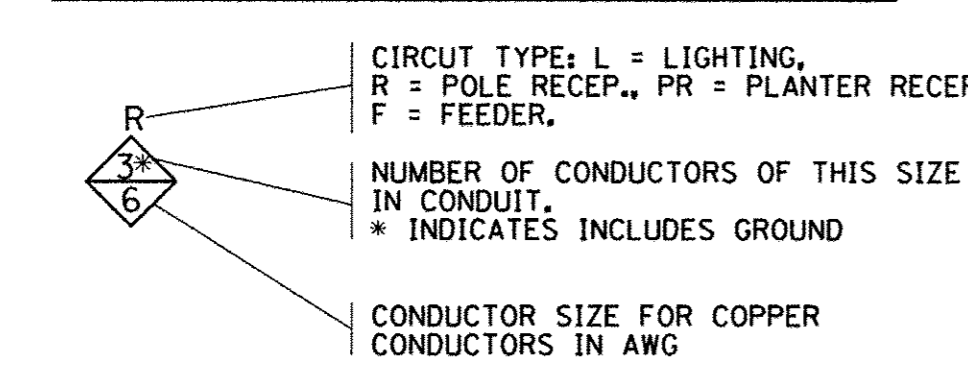
+++ REFER TO THE TEMPORARY ELECTRIC SERVICE INSTALLATION PLANS FOR ADDITIONAL CONDUIT, CABLE, AND CONNECTIONS REQUIRED AT THE PROPOSED JUNCTION BOX.



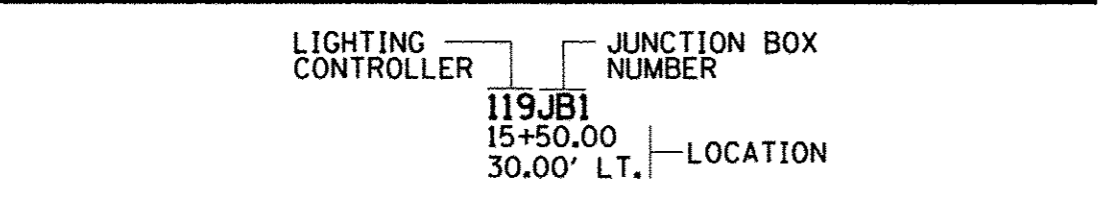
CIRCUIT DESIGNATION SCHEME



CONDUCTOR SYMBOL SCHEME



JUNCTION BOX DESIGNATION SCHEME



ROADWAY LIGHTING LEGEND

EXISTING	PROPOSED	DESCRIPTION
		COMBINATION DECORATIVE ROADWAY LUMINAIRE WITH DECORATIVE 8' ALUMINUM ARM AND DECORATIVE PEDESTRIAN LUMINAIRE WITH DECORATIVE 4' ALUMINUM ARM MOUNTED ON 34" DECORATIVE ALUMINUM POLE (INCLUDING GFI DUPLEX RECEPTACLE AND BANNER ARMS) PER SPECIAL PROVISIONS (ORNAMENTAL LIGHT UNIT, COMPLETE) WITH CONCRETE FOUNDATION
		DECORATIVE PEDESTRIAN LUMINAIRE WITH DECORATIVE 4' ALUMINUM ARM MOUNTED ON 16'-6" DECORATIVE ALUMINUM POLE (INCLUDING GFI DUPLEX RECEPTACLE AND BANNER ARMS) PER SPECIAL PROVISIONS (PEDESTRIAN ST LIGHT) WITH CONCRETE FOUNDATION
		DECORATIVE ROADWAY LUMINAIRE WITH DECORATIVE 15' STEEL ARM MOUNTED ON 35' TRAFFIC SIGNAL POLE PER SPECIAL PROVISIONS
		UNDERPASS LUMINAIRE (SPECIAL), PER SPECIAL PROVISIONS, MOUNTED TO VIADUCT STRUCTURE
		ROADWAY LIGHTING UNIT WITH HIGH PRESSURE SODIUM TYPE LUMINAIRE AND POLE
		PEDESTRIAN LIGHTING UNIT WITH INDUCTION TYPE LUMINAIRE AND POLE
		PORTLAND CEMENT CONCRETE HANDHOLE
		PROPOSED LIGHTING CONTROLLER (* AS NOTED)
		COMPOSITE TYPE JUNCTION BOX, SPECIAL (12"W x 12"L x 12"D)
		GULFBOX JUNCTION, COMPOSITE CONCRETE (13"W x 24"L x 12"D)
		2" PVC CONDUIT (SCHEDULE 80), AUGURED
		2" PVC CONDUIT (SCHEDULE 40), TRENCHED
		UNDERGROUND CONDUIT
		OVERHEAD ELECTRICAL CONDUCTORS
		WALL MOUNTED JUNCTION BOX

KEYED NOTES (THIS SHEET)

- (A) EXISTING LIGHTING UNIT (POLE AND LUMINAIRE) TO BE REMOVED COMPLETE.
 - (D) EXISTING CONDUIT AND CONDUCTORS TO BE CUT OFF BELOW GRADE AND ABANDONED IN PLACE.
 - (E) REMOVE EXISTING CONDUCTORS BACK TO NEAREST JUNCTION BOX OR LIGHTING UNIT TO REMAIN. CUT OFF CONDUIT BELOW GRADE AND ABANDON IN PLACE.
 - (F) REMOVE EXISTING OVERHEAD CONDUCTORS BACK TO NEAREST POLE
 - (I) EXISTING LIGHT FIXTURE TO BE REMOVED FROM POLE
 - (O) CONNECT ILLUMINATED STREET SIGN TO SAME ROADWAY LIGHTING CIRCUIT THAT IS SERVING ROADWAY LIGHTING LUMINAIRE ON THIS SIGNAL POLE.
- (B) (C) (G) (H) (J) (K) (L) (M) (N) (P) (R) (S) NOT USED

FILE NAME = p:\c0010720_mcore\plans\sheets\Project2\P2-sht-1lighting.dgn
 PLOT DATE = 3/23/2016 4:57:15 PM

DESIGNED - M.L.S.	REVISED -
DRAWN - D.L.M.	REVISED -
CHECKED - L.M.Z.	REVISED -
DATE - MARCH 2016	REVISED -

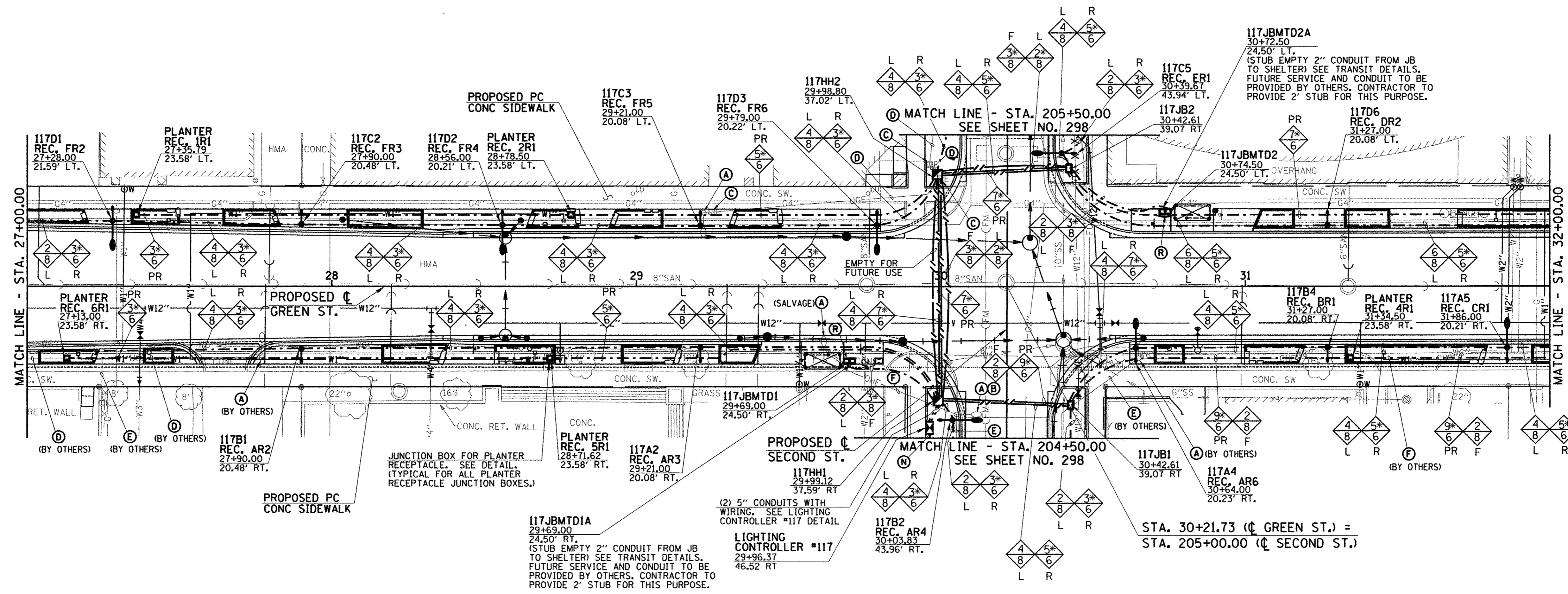
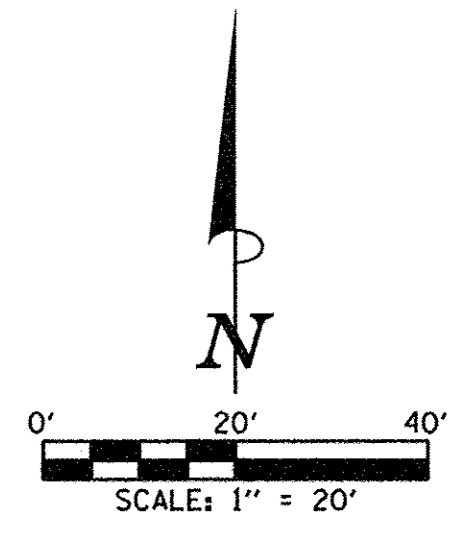
STATE OF ILLINOIS
DEPARTMENT OF TRANSPORTATION

ROADWAY LIGHTING PLANS - GREEN STREET

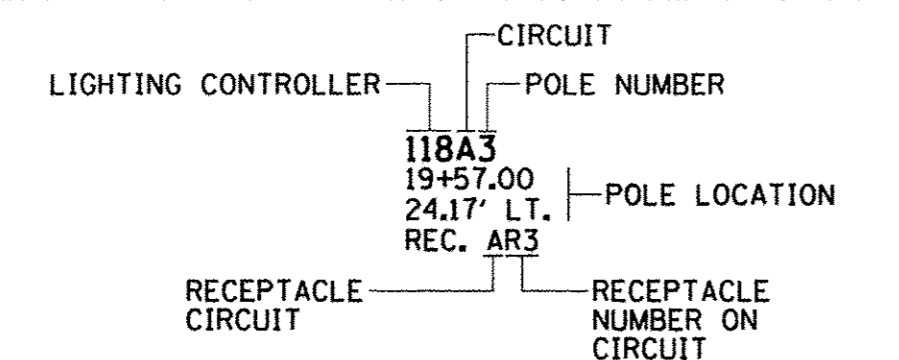
SCALE: 1"=20' SHEET NO. 292 OF 412 SHEETS STA. 22+00.00 TO STA. 27+00.00

F.A.U. RTE.	SECTION	COUNTY	TOTAL SHEETS	SHEET NO.
7126	15-00304-02-PV	CHAMPAIGN	412	292
MCORE PROJECT 2			CONTRACT NO. 91540	
JOB NO. C-95-306-16 ILLINOIS FED. AID PROJECT TIG-51810581				



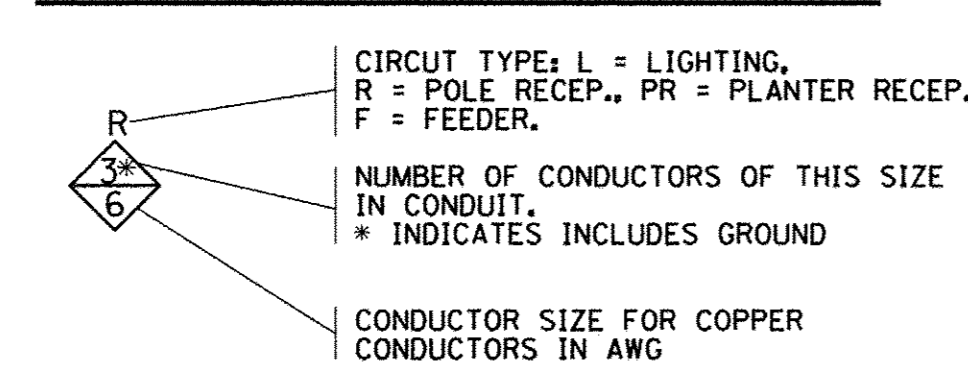


CIRCUIT DESIGNATION SCHEME

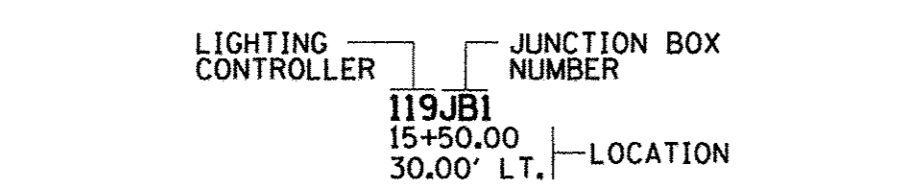


NOTE:
THE CONTRACTOR SHALL PROVIDE A PERMANENT STICKER INSIDE HAND HOLE OF EACH LIGHT POLE INDICATING THE LIGHTING CONTROLLER, CIRCUIT AND POLE NUMBER.

CONDUCTOR SYMBOL SCHEME



JUNCTION BOX DESIGNATION SCHEME



ROADWAY LIGHTING LEGEND

EXISTING	PROPOSED	DESCRIPTION
		COMBINATION DECORATIVE ROADWAY LUMINAIRE WITH DECORATIVE 8' ALUMINUM ARM AND DECORATIVE PEDESTRIAN LUMINAIRE WITH DECORATIVE 4' ALUMINUM ARM MOUNTED ON 34' DECORATIVE ALUMINUM POLE (INCLUDING GFI DUPLEX RECEPTACLE AND BANNER ARMS) PER SPECIAL PROVISIONS (ORNAMENTAL LIGHT UNIT, COMPLETE) WITH CONCRETE FOUNDATION
		DECORATIVE PEDESTRIAN LUMINAIRE WITH DECORATIVE 4' ALUMINUM ARM MOUNTED ON 16'-6" DECORATIVE ALUMINUM POLE (INCLUDING GFI DUPLEX RECEPTACLE AND BANNER ARMS) PER SPECIAL PROVISIONS (PEDESTRIAN ST LIGHT) WITH CONCRETE FOUNDATION
		DECORATIVE ROADWAY LUMINAIRE WITH DECORATIVE 15' STEEL ARM MOUNTED ON 35' TRAFFIC SIGNAL POLE PER SPECIAL PROVISIONS
		UNDERPASS LUMINAIRE (SPECIAL), PER SPECIAL PROVISIONS, MOUNTED TO VIADUCT STRUCTURE
		ROADWAY LIGHTING UNIT WITH HIGH PRESSURE SODIUM TYPE LUMINAIRE AND POLE
		PEDESTRIAN LIGHTING UNIT WITH INDUCTION TYPE LUMINAIRE AND POLE
		PORTLAND CEMENT CONCRETE HANDHOLE
		PROPOSED LIGHTING CONTROLLER (* AS NOTED)
		COMPOSITE TYPE JUNCTION BOX, SPECIAL (12"W x 12"L x 12"D)
		GULFBOX JUNCTION, COMPOSITE CONCRETE (13"W x 24"L x 12"D)
		2" PVC CONDUIT (SCHEDULE 80), AUGURED
		2" PVC CONDUIT (SCHEDULE 40), TRENCHED
		UNDERGROUND CONDUIT
		OVERHEAD ELECTRICAL CONDUCTORS
		WALL MOUNTED JUNCTION BOX

KEYED NOTES (THIS SHEET)

- (A) EXISTING LIGHTING UNIT (POLE AND LUMINAIRE) TO BE REMOVED COMPLETE.
 - (B) EXISTING CONCRETE FOUNDATION TO BE REMOVED COMPLETE.
 - (C) EXISTING HANDHOLE OR JUNCTION BOX TO BE REMOVED COMPLETE.
 - (D) EXISTING CONDUIT AND CONDUCTORS TO BE CUT OFF BELOW GRADE AND ABANDONED IN PLACE.
 - (E) REMOVE EXISTING CONDUCTORS BACK TO NEAREST JUNCTION BOX OR LIGHTING UNIT TO REMAIN. CUT OFF CONDUIT BELOW GRADE AND ABANDON IN PLACE.
 - (F) REMOVE EXISTING OVERHEAD CONDUCTORS BACK TO NEAREST POLE.
 - (N) PROVIDE UNDERGROUND SERVICE CONSISTING OF 3#350MCM, IN 3" PVC CONDUIT. EXTEND TO AMEREN ILLINOIS UTILITY POLE. COORDINATE WITH AMEREN ILLINOIS. SEE DETAIL.
 - (R) PROVIDE COMPOSITE TYPE JUNCTION BOX FOR LIGHTING/POWER CONNECTING TO MTD BUS SHELTER. PROVIDE 2" CONDUIT TO REAR LEG OF SHELTER FOR LIGHTING/POWER WIRING. COORDINATE WITH SHELTER MANUFACTURER. IN JUNCTION BOX, CONNECT SHELTER LIGHTING TO ROADWAY LIGHTING CIRCUIT AND CONNECT SHELTER POWER TO FEEDER CIRCUIT.
- (G) (H) (I) (J) (K) (L) (M) (O) (P) (Q) (S) NOT USED



FILE NAME = p:\c0010720_mcore\plans\sheets\Project2\p2-sht-1-lighting.dgn
 PLOT DATE = 3/23/2016 4:57:18 PM

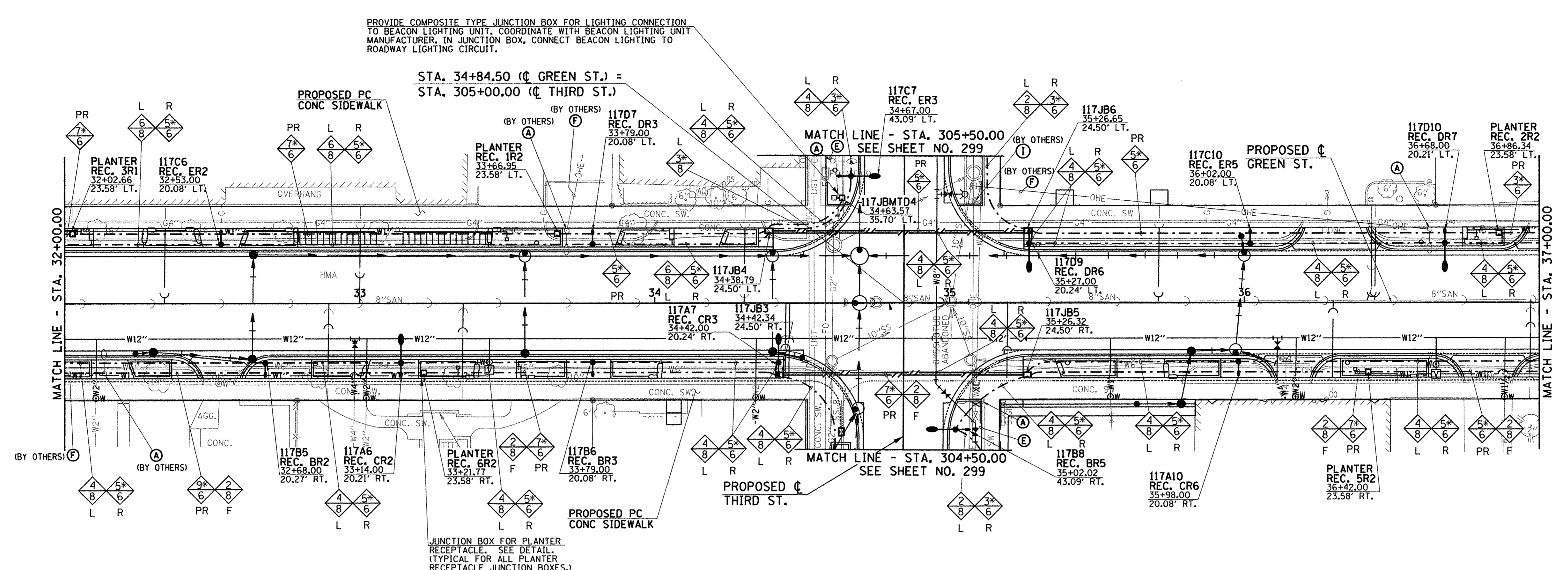
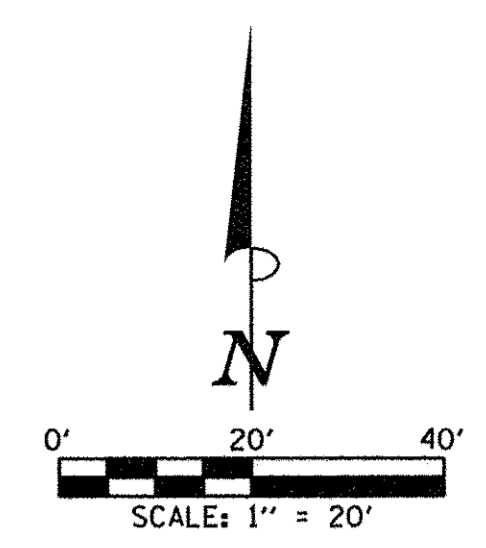
DESIGNED - M.L.S.	REVISED -
DRAWN - D.L.M.	REVISED -
CHECKED - L.M.Z.	REVISED -
DATE - MARCH 2016	REVISED -

STATE OF ILLINOIS
DEPARTMENT OF TRANSPORTATION

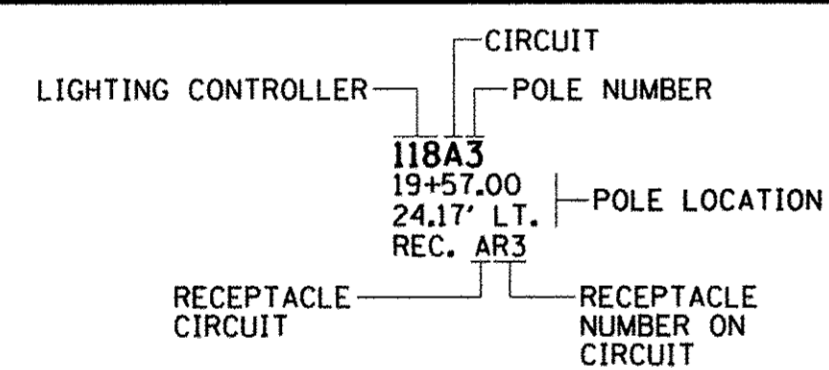
ROADWAY LIGHTING PLANS - GREEN STREET

SCALE: 1"=20' SHEET NO. 293 OF 412 SHEETS STA. 27+00.00 TO STA. 32+00.00

F.A.U. RTE. 7126	SECTION 15-00304-02-PV	COUNTY CHAMPAIGN	TOTAL SHEETS 412	SHEET NO. 293
MCORE PROJECT 2		CONTRACT NO. 91540		
JOB NO. C-95-306-16 ILLINOIS FED. AID PROJECT TIG-518105B				

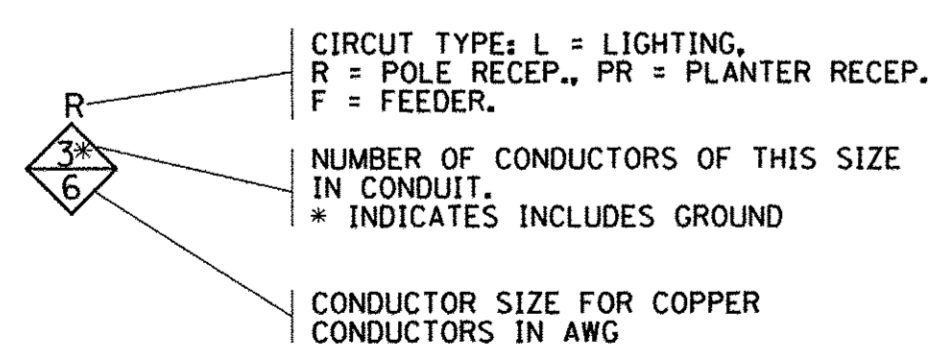


CIRCUIT DESIGNATION SCHEME

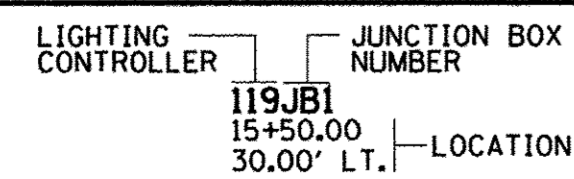


NOTE:
THE CONTRACTOR SHALL PROVIDE A PERMANENT STICKER INSIDE HAND HOLE OF EACH LIGHT POLE INDICATING THE LIGHTING CONTROLLER, CIRCUIT AND POLE NUMBER.

CONDUCTOR SYMBOL SCHEME



JUNCTION BOX DESIGNATION SCHEME



ROADWAY LIGHTING LEGEND

EXISTING	PROPOSED	DESCRIPTION
		COMBINATION DECORATIVE ROADWAY LUMINAIRE WITH DECORATIVE 8' ALUMINUM ARM AND DECORATIVE PEDESTRIAN LUMINAIRE WITH DECORATIVE 4' ALUMINUM ARM MOUNTED ON 34' DECORATIVE ALUMINUM POLE (INCLUDING GFI DUPLEX RECEPTACLE AND BANNER ARMS) PER SPECIAL PROVISIONS (ORNAMENTAL LIGHT UNIT, COMPLETE) WITH CONCRETE FOUNDATION
		DECORATIVE PEDESTRIAN LUMINAIRE WITH DECORATIVE 4' ALUMINUM ARM MOUNTED ON 16'-6" DECORATIVE ALUMINUM POLE (INCLUDING GFI DUPLEX RECEPTACLE AND BANNER ARMS) PER SPECIAL PROVISIONS (PEDESTRIAN ST LIGHT) WITH CONCRETE FOUNDATION
		DECORATIVE ROADWAY LUMINAIRE WITH DECORATIVE 15' STEEL ARM MOUNTED ON 35' TRAFFIC SIGNAL POLE PER SPECIAL PROVISIONS
		UNDERPASS LUMINAIRE (SPECIAL), PER SPECIAL PROVISIONS, MOUNTED TO VIADUCT STRUCTURE
		ROADWAY LIGHTING UNIT WITH HIGH PRESSURE SODIUM TYPE LUMINAIRE AND POLE
		PEDESTRIAN LIGHTING UNIT WITH INDUCTION TYPE LUMINAIRE AND POLE
		PORTLAND CEMENT CONCRETE HANDHOLE
		PROPOSED LIGHTING CONTROLLER (* AS NOTED)
		COMPOSITE TYPE JUNCTION BOX, SPECIAL (12"W x 12"L x 12"D)
		GULFBOX JUNCTION, COMPOSITE CONCRETE (13"W x 24"L x 12"D)
		2" PVC CONDUIT (SCHEDULE 80), AUGURED
		2" PVC CONDUIT (SCHEDULE 40), TRENCHED
		UNDERGROUND CONDUIT
		OVERHEAD ELECTRICAL CONDUCTORS
		WALL MOUNTED JUNCTION BOX

KEYED NOTES (THIS SHEET)

- (A) EXISTING LIGHTING UNIT (POLE AND LUMINAIRE) TO BE REMOVED COMPLETE.
- (E) REMOVE EXISTING CONDUCTORS BACK TO NEAREST JUNCTION BOX OR LIGHTING UNIT TO REMAIN. CUT OFF CONDUIT BELOW GRADE AND ABANDON IN PLACE.
- (F) REMOVE EXISTING OVERHEAD CONDUCTORS BACK TO NEAREST POLE.
- (I) EXISTING LIGHT FIXTURE TO BE REMOVED FROM POLE.
- (B) (C) (D) (G) (H) (J) (K) (L) (M) (N) (O) (P) (Q) (R) (S) NOT USED



FILE NAME = p:\c0010720_mcore\plans\sheets\Project2\P2-sht-1lighting.dgn
 PLOT DATE = 3/23/2016 4:57:20 PM

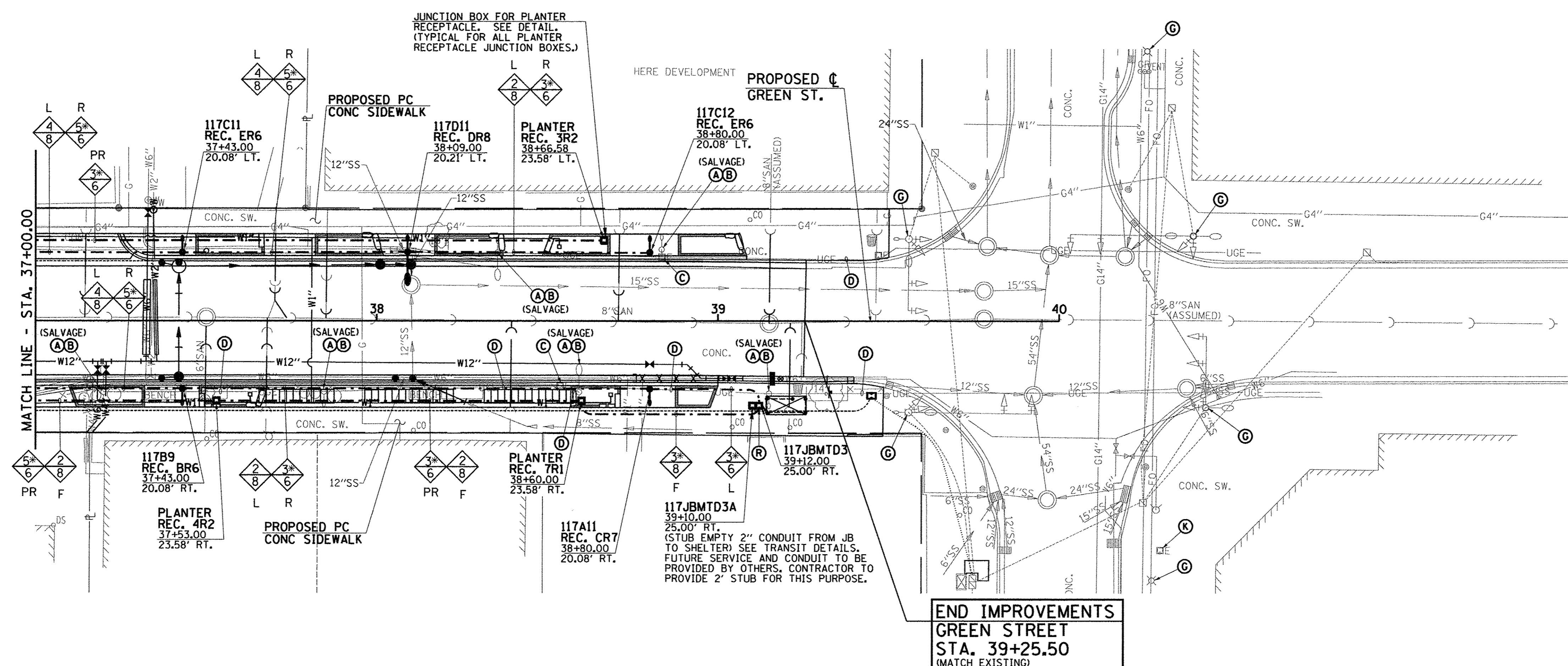
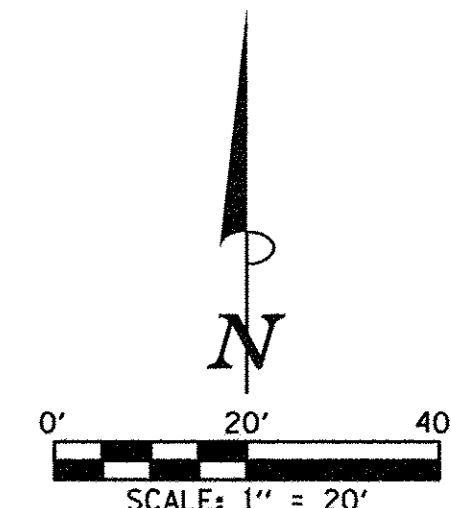
DESIGNED - M.L.S.	REVISED -
DRAWN - D.L.M.	REVISED -
CHECKED - L.M.Z.	REVISED -
DATE - MARCH 2016	REVISED -

STATE OF ILLINOIS
DEPARTMENT OF TRANSPORTATION

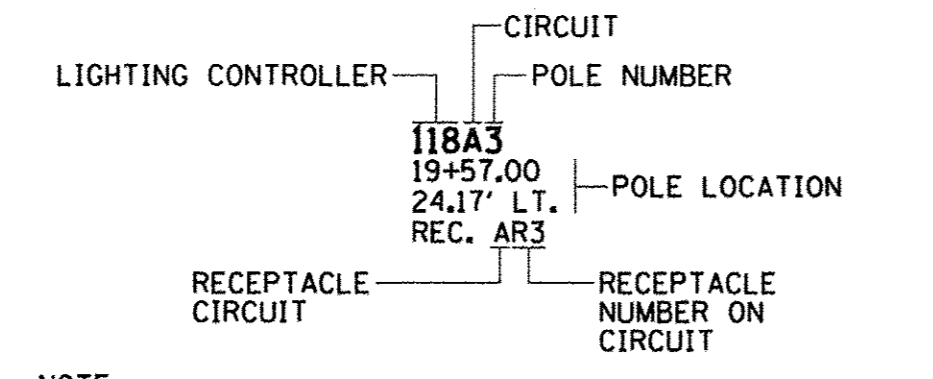
ROADWAY LIGHTING PLANS - GREEN STREET

SCALE: 1"=20' SHEET NO. 294 OF 412 SHEETS STA. 32+00.00 TO STA. 37+00.00

F.A.U. RTE. 7126	SECTION 15-00304-02-PV	COUNTY CHAMPAIGN	TOTAL SHEETS 412	SHEET NO. 294
MCORE PROJECT 2		CONTRACT NO. 91540		
JOB NO. C-95-306-16 ILLINOIS FED. AID PROJECT TIG-5181058I				

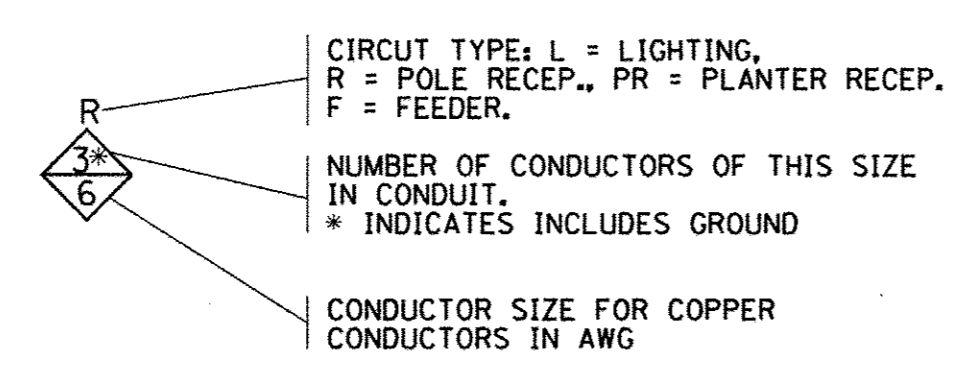


CIRCUIT DESIGNATION SCHEME

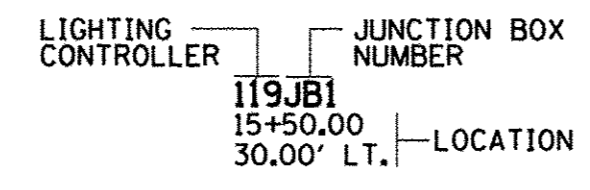


NOTE:
THE CONTRACTOR SHALL PROVIDE A PERMANENT STICKER INSIDE HAND HOLE OF EACH LIGHT POLE INDICATING THE LIGHTING CONTROLLER, CIRCUIT AND POLE NUMBER.

CONDUCTOR SYMBOL SCHEME



JUNCTION BOX DESIGNATION SCHEME



ROADWAY LIGHTING LEGEND

EXISTING	PROPOSED	DESCRIPTION
		COMBINATION DECORATIVE ROADWAY LUMINAIRE WITH DECORATIVE 8' ALUMINUM ARM AND DECORATIVE PEDESTRIAN LUMINAIRE WITH DECORATIVE 4' ALUMINUM ARM MOUNTED ON 34' DECORATIVE ALUMINUM POLE (INCLUDING GFI DUPLEX RECEPTACLE AND BANNER ARMS) PER SPECIAL PROVISIONS (ORNAMENTAL LIGHT UNIT, COMPLETE) WITH CONCRETE FOUNDATION
		DECORATIVE PEDESTRIAN LUMINAIRE WITH DECORATIVE 4' ALUMINUM ARM MOUNTED ON 16'-6" DECORATIVE ALUMINUM POLE (INCLUDING GFI DUPLEX RECEPTACLE AND BANNER ARMS) PER SPECIAL PROVISIONS (PEDESTRIAN ST LIGHT) WITH CONCRETE FOUNDATION
		DECORATIVE ROADWAY LUMINAIRE WITH DECORATIVE 15' STEEL ARM MOUNTED ON 35' TRAFFIC SIGNAL POLE PER SPECIAL PROVISIONS
		UNDERPASS LUMINAIRE (SPECIAL), PER SPECIAL PROVISIONS, MOUNTED TO VIADUCT STRUCTURE
		ROADWAY LIGHTING UNIT WITH HIGH PRESSURE SODIUM TYPE LUMINAIRE AND POLE
		PEDESTRIAN LIGHTING UNIT WITH INDUCTION TYPE LUMINAIRE AND POLE
		PORTLAND CEMENT CONCRETE HANDHOLE
		PROPOSED LIGHTING CONTROLLER (* AS NOTED)
		COMPOSITE TYPE JUNCTION BOX, SPECIAL (12"W x 12"L x 12"D)
		GULFBOX JUNCTION, COMPOSITE CONCRETE (13"W x 24"L x 12"D)
		2" PVC CONDUIT (SCHEDULE 80), AUGURED
		2" PVC CONDUIT (SCHEDULE 40), TRENCHED
		UNDERGROUND CONDUIT
		OVERHEAD ELECTRICAL CONDUCTORS
		WALL MOUNTED JUNCTION BOX

KEYED NOTES (THIS SHEET)

- (A) EXISTING LIGHTING UNIT (POLE AND LUMINAIRE) TO BE REMOVED COMPLETE.
- (B) EXISTING CONCRETE FOUNDATION TO BE REMOVED COMPLETE.
- (C) EXISTING HANDHOLE OR JUNCTION BOX TO BE REMOVED COMPLETE.
- (D) EXISTING CONDUIT AND CONDUCTORS TO BE CUT OFF BELOW GRADE AND ABANDONED IN PLACE.
- (E) EXISTING LIGHTING UNIT (POLE AND LUMINAIRE) TO REMAIN.
- (F) EXISTING HANDHOLE OR JUNCTION BOX TO REMAIN.
- (G) PROVIDE COMPOSITE TYPE JUNCTION BOX FOR LIGHTING/POWER CONNECTING TO MTD BUS SHELTER. PROVIDE 2" CONDUIT TO REAR LEG OF SHELTER FOR LIGHTING/POWER WIRING. COORDINATE WITH SHELTER MANUFACTURER. IN JUNCTION BOX, CONNECT SHELTER LIGHTING TO ROADWAY LIGHTING CIRCUIT AND CONNECT SHELTER POWER TO FEEDER CIRCUIT.
- (H) NOT USED
- (I) NOT USED
- (J) NOT USED
- (K) NOT USED
- (L) NOT USED
- (M) NOT USED
- (N) NOT USED
- (O) NOT USED
- (P) NOT USED
- (Q) NOT USED
- (S) NOT USED



FILE NAME = p:\c0010720_mcore\plans\sheets\Project2\p2-sht-1lighting.dgn
 PLOT DATE = 3/23/2016 4:57:21 PM

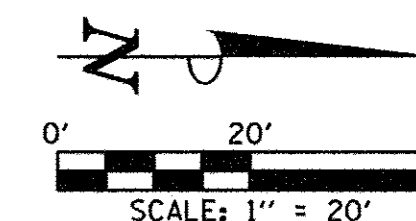
DESIGNED - M.L.S.	REVISED -
DRAWN - D.L.M.	REVISED -
CHECKED - L.M.Z.	REVISED -
DATE - MARCH 2016	REVISED -

STATE OF ILLINOIS
DEPARTMENT OF TRANSPORTATION

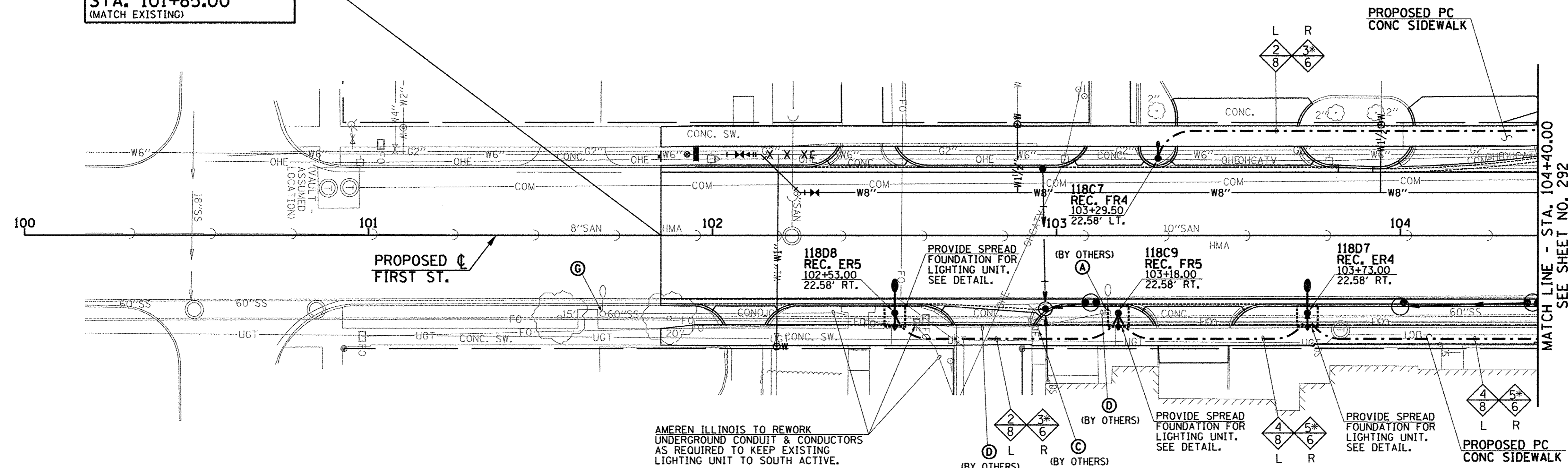
ROADWAY LIGHTING PLANS - GREEN STREET

SCALE : 1"=20' SHEET NO. 295 OF 412 SHEETS STA. 37+00.00 TO STA. 40+00.00

F.A.U. RTE.	SECTION	COUNTY	TOTAL SHEETS	SHEET NO.
7126	15-00304-02-PV	CHAMPAIGN	412	295
MCORE PROJECT 2			CONTRACT NO. 91540	
JOB NO. C-95-306-16 ILLINOIS FED. AID PROJECT TIG-5181(058)				

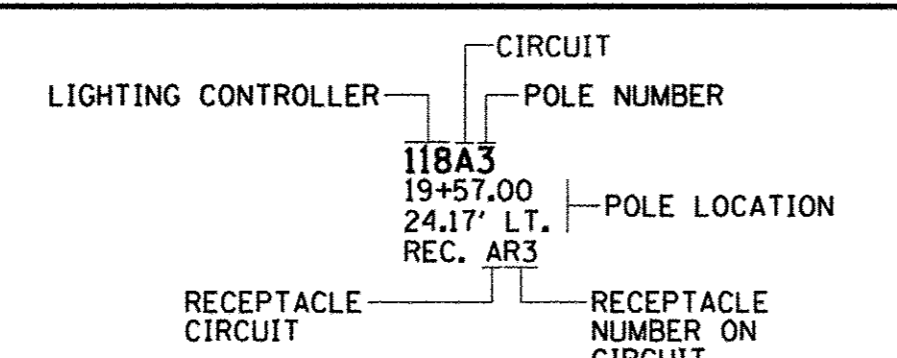


BEGIN IMPROVEMENTS
FIRST STREET
STA. 101+85.00
 (MATCH EXISTING)



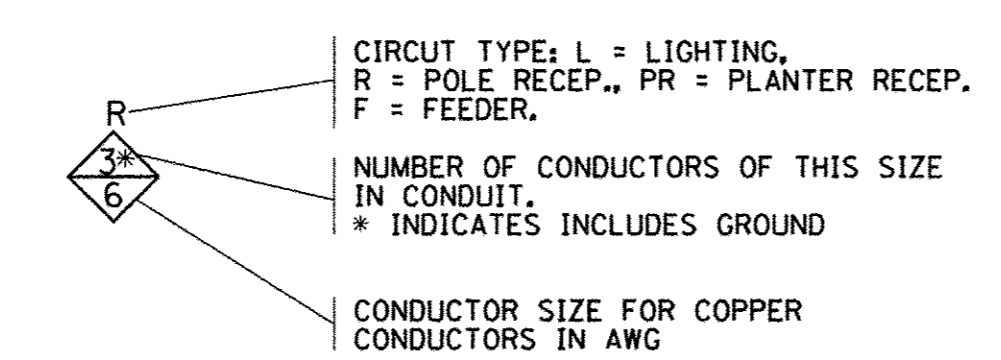
MATCH LINE - STA. 104+40.00
SEE SHEET NO. 292

CIRCUIT DESIGNATION SCHEME

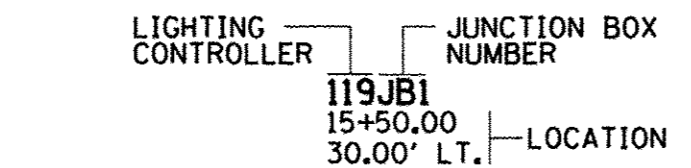


NOTE:
 THE CONTRACTOR SHALL PROVIDE A PERMANENT STICKER INSIDE HAND HOLE OF EACH LIGHT POLE INDICATING THE LIGHTING CONTROLLER, CIRCUIT AND POLE NUMBER.

CONDUCTOR SYMBOL SCHEME



JUNCTION BOX DESIGNATION SCHEME



ROADWAY LIGHTING LEGEND

EXISTING	PROPOSED	DESCRIPTION
		COMBINATION DECORATIVE ROADWAY LUMINAIRE WITH DECORATIVE 8' ALUMINUM ARM AND DECORATIVE PEDESTRIAN LUMINAIRE WITH DECORATIVE 4' ALUMINUM ARM MOUNTED ON 34' DECORATIVE ALUMINUM POLE (INCLUDING GFI DUPLEX RECEPTACLE AND BANNER ARMS) PER SPECIAL PROVISIONS (ORNAMENTAL LIGHT UNIT, COMPLETE) WITH CONCRETE FOUNDATION
		DECORATIVE PEDESTRIAN LUMINAIRE WITH DECORATIVE 4' ALUMINUM ARM MOUNTED ON 16'-6" DECORATIVE ALUMINUM POLE (INCLUDING GFI DUPLEX RECEPTACLE AND BANNER ARMS) PER SPECIAL PROVISIONS (PEDESTRIAN ST LIGHT) WITH CONCRETE FOUNDATION
		DECORATIVE ROADWAY LUMINAIRE WITH DECORATIVE 15' STEEL ARM MOUNTED ON 35' TRAFFIC SIGNAL POLE PER SPECIAL PROVISIONS
		UNDERPASS LUMINAIRE (SPECIAL), PER SPECIAL PROVISIONS, MOUNTED TO VIADUCT STRUCTURE
		ROADWAY LIGHTING UNIT WITH HIGH PRESSURE SODIUM TYPE LUMINAIRE AND POLE
		PEDESTRIAN LIGHTING UNIT WITH INDUCTION TYPE LUMINAIRE AND POLE
		PORTLAND CEMENT CONCRETE HANDHOLE
		PROPOSED LIGHTING CONTROLLER (* AS NOTED)
		COMPOSITE TYPE JUNCTION BOX, SPECIAL (12"W x 12"L x 12"D)
		GULFBOX JUNCTION, COMPOSITE CONCRETE (13"W x 24"L x 12"D)
		2" PVC CONDUIT (SCHEDULE 80), AUGURED
		2" PVC CONDUIT (SCHEDULE 40), TRENCHED
		UNDERGROUND CONDUIT
		OVERHEAD ELECTRICAL CONDUCTORS
		WALL MOUNTED JUNCTION BOX

KEYED NOTES (THIS SHEET)

- (A) EXISTING LIGHTING UNIT (POLE AND LUMINAIRE) TO BE REMOVED COMPLETE.
- (C) EXISTING HANDHOLE OR JUNCTION BOX TO BE REMOVED COMPLETE.
- (D) EXISTING CONDUIT AND CONDUCTORS TO BE CUT OFF BELOW GRADE AND ABANDONED IN PLACE.
- (G) EXISTING LIGHTING UNIT (POLE AND LUMINAIRE) TO REMAIN.
- (B) (E) (F) (H) (I) (J) (K) (L) (M) (N) (O) (P) (Q) (R) (S) NOT USED



FILE NAME = p:\c0010720_moore\plans\sheet\Project2\1P2-sht-lighting.dgn
 PLOT DATE = 3/23/2016 4:57:22 PM

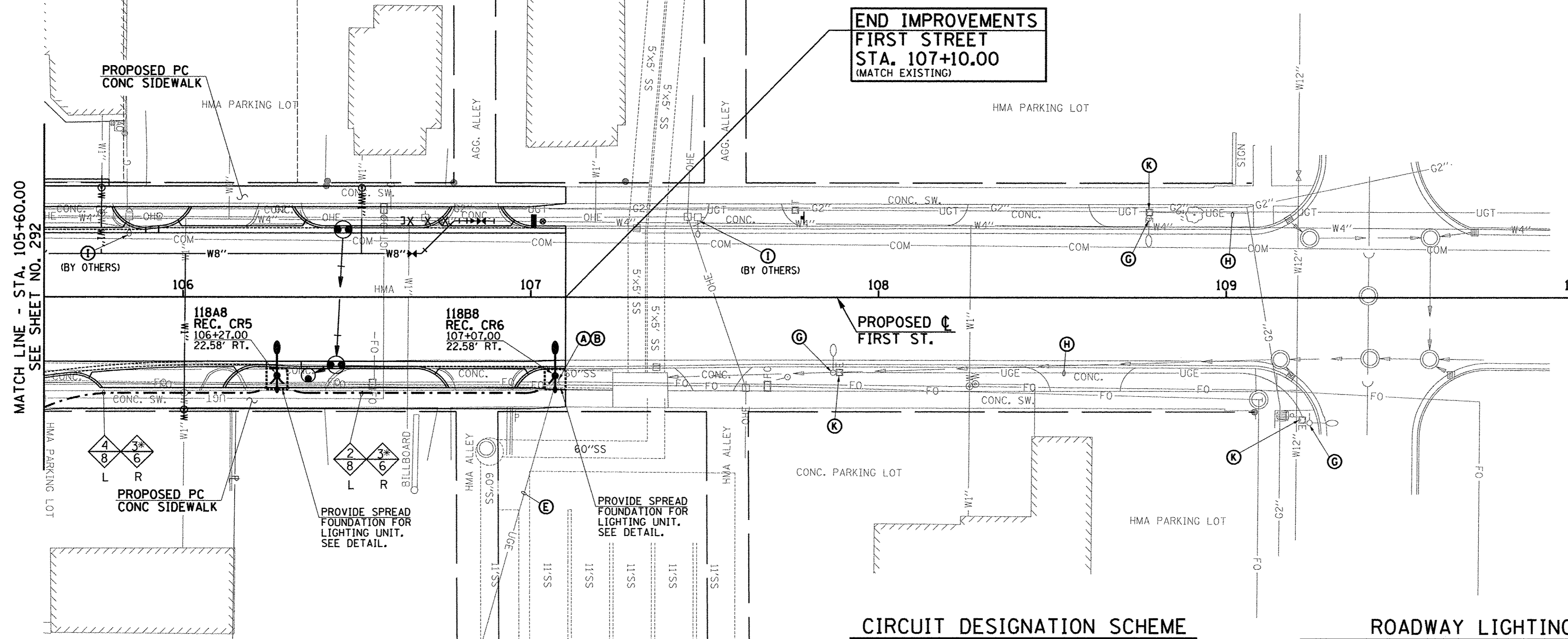
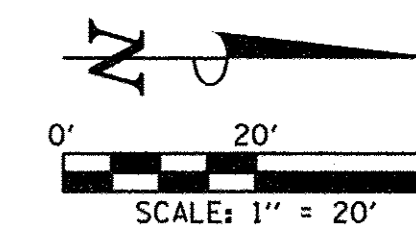
DESIGNED - M.L.S.	REVISED -
DRAWN - D.L.M.	REVISED -
CHECKED - L.M.Z.	REVISED -
DATE - MARCH 2016	REVISED -

STATE OF ILLINOIS
 DEPARTMENT OF TRANSPORTATION

ROADWAY LIGHTING PLANS - FIRST STREET

SCALE: 1"=20' SHEET NO. 296 OF 412 SHEETS STA. 100+00.00 TO STA. 104+40.00

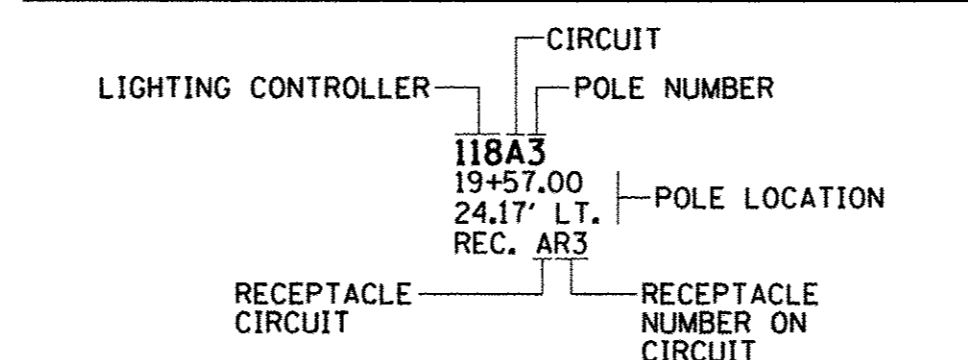
F.A.U. RTE.	SECTION	COUNTY	TOTAL SHEETS	SHEET NO.
7126	15-00304-02-PV	CHAMPAIGN	412	296
MCORE PROJECT 2			CONTRACT NO. 91540	
JOB NO. C-95-306-16 ILLINOIS FED. AID PROJECT TIG-51810581				



MATCH LINE - STA. 105+60.00
SEE SHEET NO. 292

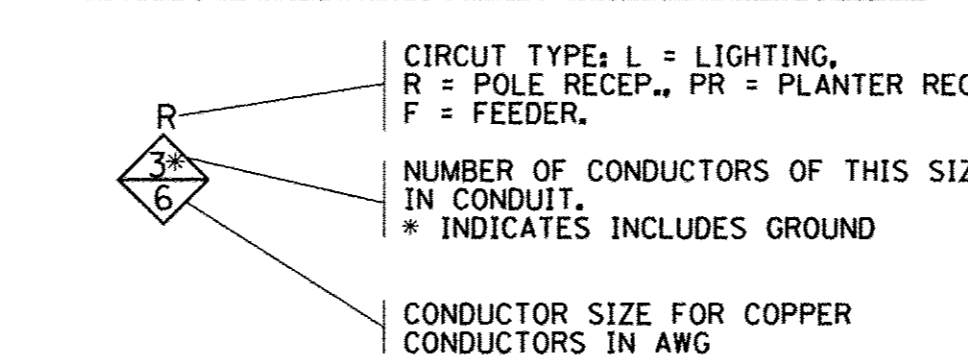
- ### KEYED NOTES (THIS SHEET)
- (A) EXISTING LIGHTING UNIT (POLE AND LUMINAIRE) TO BE REMOVED COMPLETE.
 - (B) EXISTING CONCRETE FOUNDATION TO BE REMOVED COMPLETE.
 - (E) REMOVE EXISTING CONDUCTORS BACK TO NEAREST JUNCTION BOX OR LIGHTING UNIT TO REMAIN. CUT OFF CONDUIT BELOW GRADE AND ABANDON IN PLACE.
 - (G) EXISTING LIGHTING UNIT (POLE AND LUMINAIRE) TO REMAIN.
 - (H) EXISTING CONDUIT AND CONDUCTORS TO REMAIN.
 - (I) EXISTING LIGHT FIXTURE TO BE REMOVED FROM POLE.
 - (K) EXISTING HANDHOLE TO REMAIN.
- (C) (D) (F) (J) (L) (M) (N) (O) (P) (Q) (R) (S) NOT USED

CIRCUIT DESIGNATION SCHEME

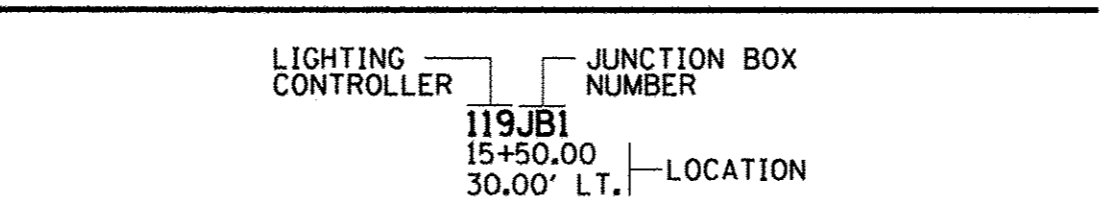


NOTE:
THE CONTRACTOR SHALL PROVIDE A PERMANENT STICKER INSIDE HAND HOLE OF EACH LIGHT POLE INDICATING THE LIGHTING CONTROLLER, CIRCUIT AND POLE NUMBER.

CONDUCTOR SYMBOL SCHEME



JUNCTION BOX DESIGNATION SCHEME



ROADWAY LIGHTING LEGEND

EXISTING	PROPOSED	DESCRIPTION
		COMBINATION DECORATIVE ROADWAY LUMINAIRE WITH DECORATIVE 8' ALUMINUM ARM AND DECORATIVE PEDESTRIAN LUMINAIRE WITH DECORATIVE 4' ALUMINUM ARM MOUNTED ON 34' DECORATIVE ALUMINUM POLE (INCLUDING GFI DUPLEX RECEPTACLE AND BANNER ARMS) PER SPECIAL PROVISIONS (ORNAMENTAL LIGHT UNIT, COMPLETE) WITH CONCRETE FOUNDATION
		DECORATIVE PEDESTRIAN LUMINAIRE WITH DECORATIVE 4' ALUMINUM ARM MOUNTED ON 16'-6" DECORATIVE ALUMINUM POLE (INCLUDING GFI DUPLEX RECEPTACLE AND BANNER ARMS) PER SPECIAL PROVISIONS (PEDESTRIAN ST LIGHT) WITH CONCRETE FOUNDATION
		DECORATIVE ROADWAY LUMINAIRE WITH DECORATIVE 15' STEEL ARM MOUNTED ON 35' TRAFFIC SIGNAL POLE PER SPECIAL PROVISIONS
		UNDERPASS LUMINAIRE (SPECIAL), PER SPECIAL PROVISIONS, MOUNTED TO VIADUCT STRUCTURE
		ROADWAY LIGHTING UNIT WITH HIGH PRESSURE SODIUM TYPE LUMINAIRE AND POLE
		PEDESTRIAN LIGHTING UNIT WITH INDUCTION TYPE LUMINAIRE AND POLE
		PORTLAND CEMENT CONCRETE HANDHOLE
		PROPOSED LIGHTING CONTROLLER (* AS NOTED)
		COMPOSITE TYPE JUNCTION BOX, SPECIAL (12"W x 12"L x 12"D)
		GULFBBOX JUNCTION, COMPOSITE CONCRETE (13"W x 24"L x 12"D)
		2" PVC CONDUIT (SCHEDULE 80), AUGURED
		2" PVC CONDUIT (SCHEDULE 40), TRENCHED
		UNDERGROUND CONDUIT
		OVERHEAD ELECTRICAL CONDUCTORS
		WALL MOUNTED JUNCTION BOX



FILE NAME = p:\c0010720_mcore\plans\sheets\Project2\P2-sht-11ighting.dgn
PLOT DATE = 3/23/2016 4:57:23 PM

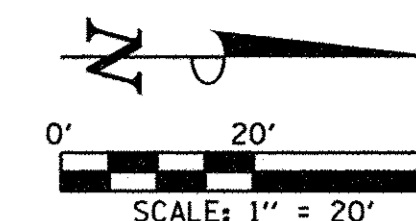
DESIGNED - M.L.S.	REVISED -
DRAWN - D.L.M.	REVISED -
CHECKED - L.M.Z.	REVISED -
DATE - MARCH 2016	REVISED -

STATE OF ILLINOIS
DEPARTMENT OF TRANSPORTATION

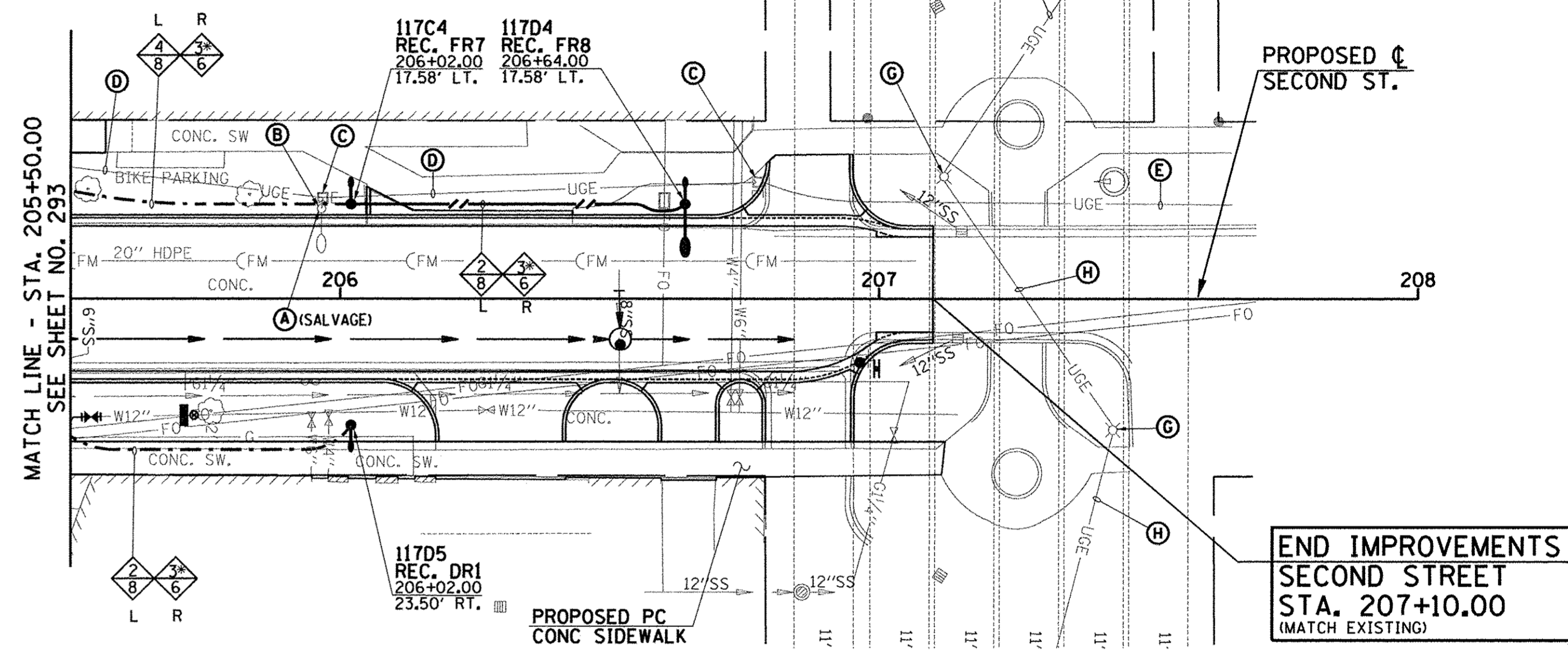
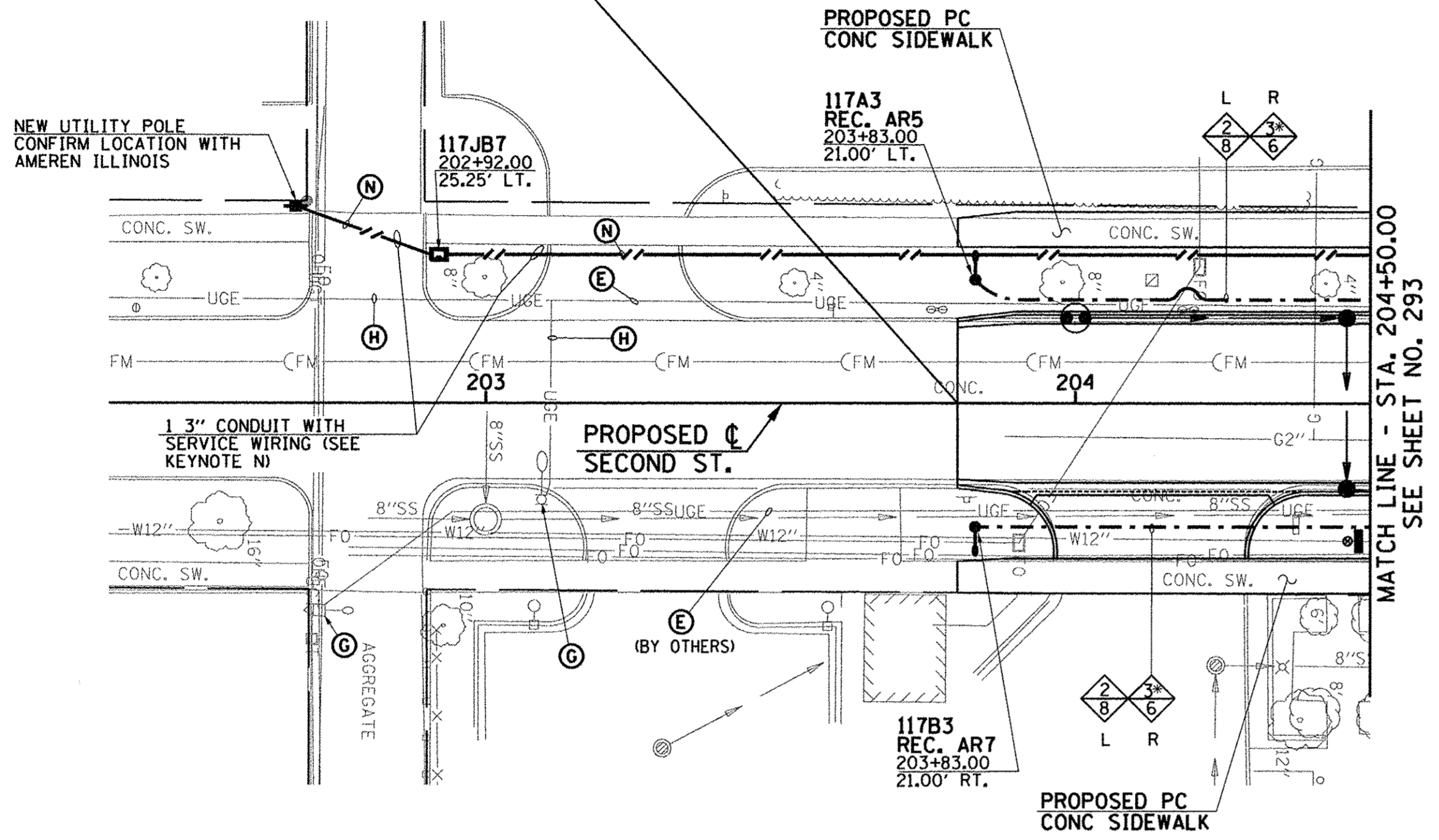
ROADWAY LIGHTING PLANS - FIRST STREET

SCALE: 1"=20' SHEET NO. 297 OF 412 SHEETS STA. 105+60.00 TO STA. 110+00.00

F.A.U. RTE.	SECTION	COUNTY	TOTAL SHEETS	SHEET NO.
7126	15-00304-02-PV	CHAMPAIGN	412	297
MCORE PROJECT 2			CONTRACT NO. 91540	
JOB NO. C-95-306-16 ILLINOIS FED. AID PROJECT TIG-51810581				

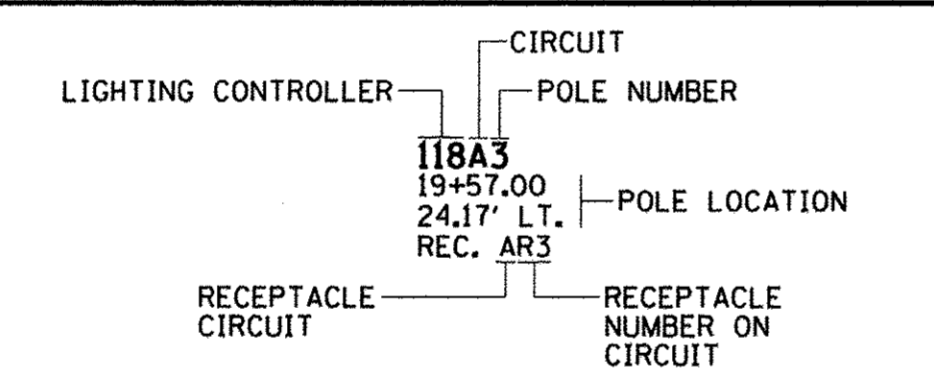


BEGIN IMPROVEMENTS
SECOND STREET
STA. 203+80.00
 (MATCH EXISTING)



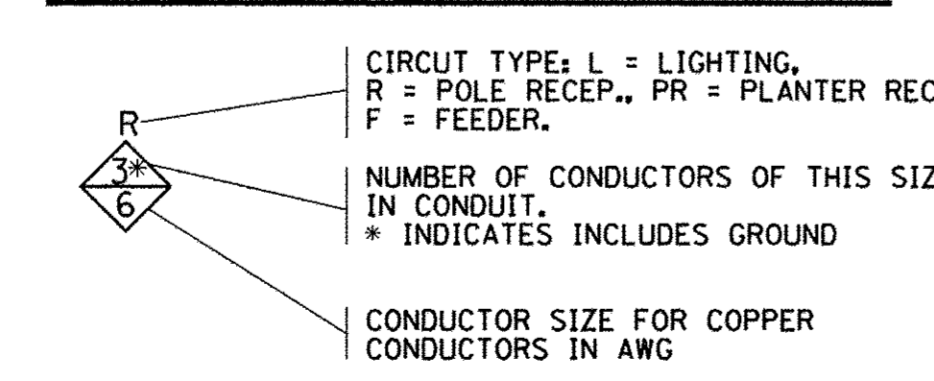
END IMPROVEMENTS
SECOND STREET
STA. 207+10.00
 (MATCH EXISTING)

CIRCUIT DESIGNATION SCHEME

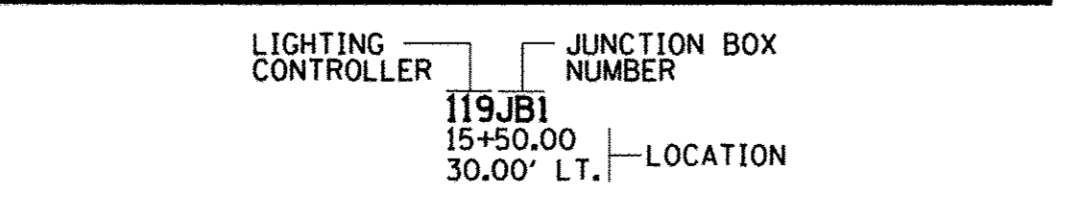


NOTE:
 THE CONTRACTOR SHALL PROVIDE A PERMANENT STICKER INSIDE HAND HOLE OF EACH LIGHT POLE INDICATING THE LIGHTING CONTROLLER, CIRCUIT AND POLE NUMBER.

CONDUCTOR SYMBOL SCHEME



JUNCTION BOX DESIGNATION SCHEME



ROADWAY LIGHTING LEGEND

EXISTING	PROPOSED	DESCRIPTION
		COMBINATION DECORATIVE ROADWAY LUMINAIRE WITH DECORATIVE 8' ALUMINUM ARM AND DECORATIVE PEDESTRIAN LUMINAIRE WITH DECORATIVE 4' ALUMINUM ARM MOUNTED ON 34' DECORATIVE ALUMINUM POLE (INCLUDING GFI DUPLEX RECEPTACLE AND BANNER ARMS) PER SPECIAL PROVISIONS (ORNAMENTAL LIGHT UNIT, COMPLETE) WITH CONCRETE FOUNDATION
		DECORATIVE PEDESTRIAN LUMINAIRE WITH DECORATIVE 4' ALUMINUM ARM MOUNTED ON 16'-6" DECORATIVE ALUMINUM POLE (INCLUDING GFI DUPLEX RECEPTACLE AND BANNER ARMS) PER SPECIAL PROVISIONS (PEDESTRIAN ST LIGHT) WITH CONCRETE FOUNDATION
		DECORATIVE ROADWAY LUMINAIRE WITH DECORATIVE 15' STEEL ARM MOUNTED ON 35' TRAFFIC SIGNAL POLE PER SPECIAL PROVISIONS
		UNDERPASS LUMINAIRE (SPECIAL), PER SPECIAL PROVISIONS, MOUNTED TO VIADUCT STRUCTURE
		ROADWAY LIGHTING UNIT WITH HIGH PRESSURE SODIUM TYPE LUMINAIRE AND POLE
		PEDESTRIAN LIGHTING UNIT WITH INDUCTION TYPE LUMINAIRE AND POLE
		PORTLAND CEMENT CONCRETE HANDHOLE
		PROPOSED LIGHTING CONTROLLER (* AS NOTED)
		COMPOSITE TYPE JUNCTION BOX, SPECIAL (12"W x 12"L x 12"D)
		GULFBOX JUNCTION, COMPOSITE CONCRETE (13"W x 24"L x 12"D)
		2" PVC CONDUIT (SCHEDULE 80), AUGURED
		2" PVC CONDUIT (SCHEDULE 40), TRENCHED
		UNDERGROUND CONDUIT
		OVERHEAD ELECTRICAL CONDUCTORS
		WALL MOUNTED JUNCTION BOX

KEYED NOTES (THIS SHEET)

- (A) EXISTING LIGHTING UNIT (POLE AND LUMINAIRE) TO BE REMOVED COMPLETE.
 - (B) EXISTING CONCRETE FOUNDATION TO BE REMOVED COMPLETE.
 - (C) EXISTING HANDHOLE OR JUNCTION BOX TO BE REMOVED COMPLETE.
 - (D) EXISTING CONDUIT AND CONDUCTORS TO BE CUT OFF BELOW GRADE AND ABANDONED IN PLACE.
 - (E) REMOVE EXISTING CONDUCTORS BACK TO NEAREST JUNCTION BOX OR LIGHTING UNIT TO REMAIN. CUT OFF CONDUIT BELOW GRADE AND ABANDON IN PLACE.
 - (G) EXISTING LIGHTING UNIT (POLE AND LUMINAIRE) TO REMAIN.
 - (H) EXISTING CONDUIT AND CONDUCTORS TO REMAIN.
 - (N) PROVIDE UNDERGROUND SERVICE CONSISTING OF 3#350MCM, IN 3" PVC CONDUIT, EXTEND TO AMEREN ILLINOIS UTILITY POLE. COORDINATE WITH AMEREN ILLINOIS, SEE DETAIL.
- (F) (I) (J) (K) (L) (M) (O) (P) (Q) (R) (S) NOT USED



FILE NAME = p:\c0010720_mcore\plans\sheets\Project2\p2-sht-lighting.dgn
 PLOT DATE = 3/23/2016 4:57:24 PM

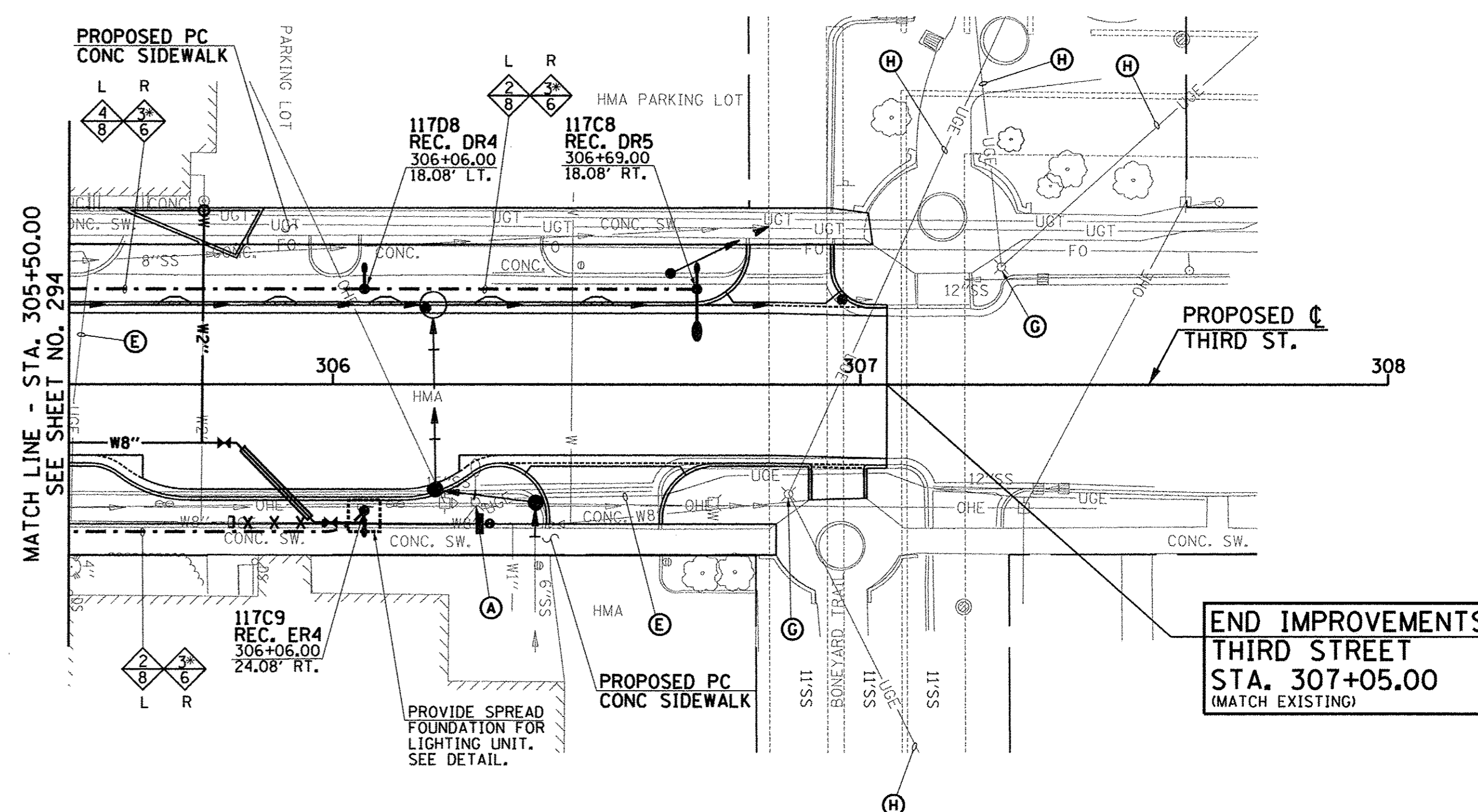
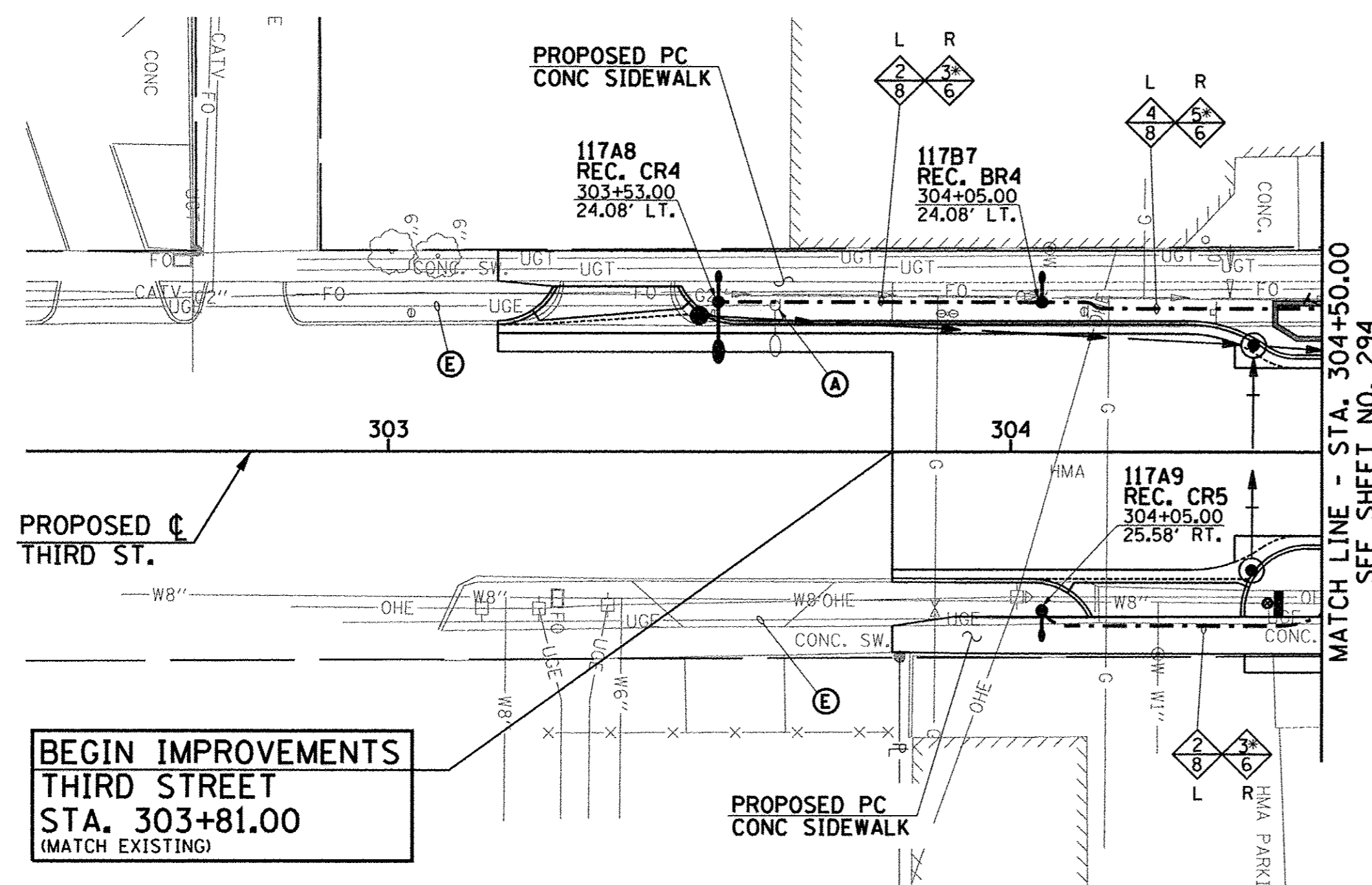
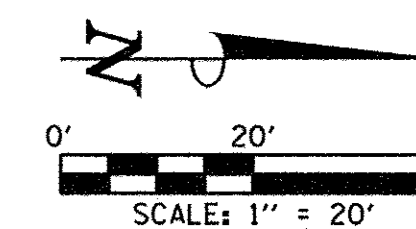
DESIGNED - M.L.S.	REVISED -
DRAWN - D.L.M.	REVISED -
CHECKED - L.M.Z.	REVISED -
DATE - MARCH 2016	REVISED -

STATE OF ILLINOIS
 DEPARTMENT OF TRANSPORTATION

ROADWAY LIGHTING PLANS - SECOND STREET

SCALE: 1"=20' SHEET NO. 298 OF 412 SHEETS STA. 203+00.00 TO STA. 208+00.00

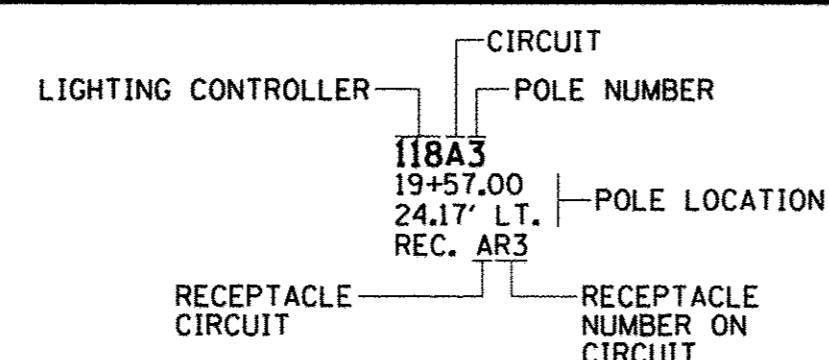
F.A.U. RTE.	SECTION	COUNTY	TOTAL SHEETS	SHEET NO.
7126	15-00304-02-PV	CHAMPAIGN	412	298
MCORE PROJECT 2			CONTRACT NO. 91540	
JOB NO. C-95-306-16			ILLINOIS FED. AID PROJECT TIG-5181(05B)	



BEGIN IMPROVEMENTS
THIRD STREET
STA. 303+81.00
(MATCH EXISTING)

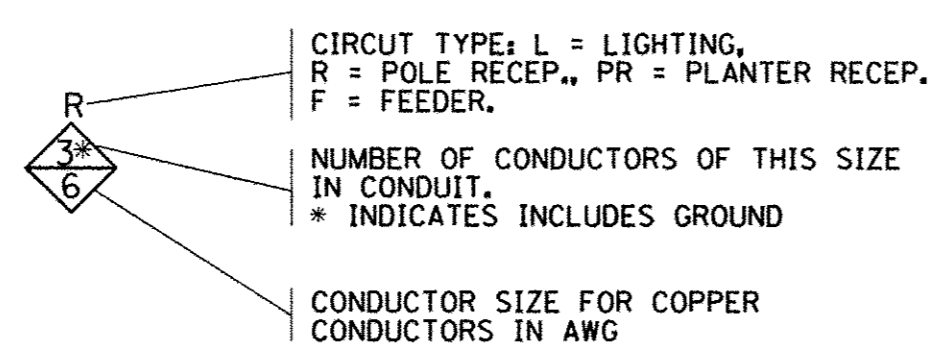
END IMPROVEMENTS
THIRD STREET
STA. 307+05.00
(MATCH EXISTING)

CIRCUIT DESIGNATION SCHEME

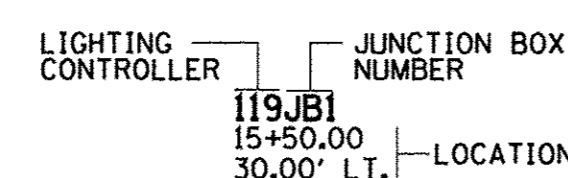


NOTE:
THE CONTRACTOR SHALL PROVIDE A PERMANENT STICKER INSIDE HAND HOLE OF EACH LIGHT POLE INDICATING THE LIGHTING CONTROLLER, CIRCUIT AND POLE NUMBER.

CONDUCTOR SYMBOL SCHEME



JUNCTION BOX DESIGNATION SCHEME



ROADWAY LIGHTING LEGEND

EXISTING	PROPOSED	DESCRIPTION
		COMBINATION DECORATIVE ROADWAY LUMINAIRE WITH DECORATIVE 8' ALUMINUM ARM AND DECORATIVE PEDESTRIAN LUMINAIRE WITH DECORATIVE 4' ALUMINUM ARM MOUNTED ON 34' DECORATIVE ALUMINUM POLE (INCLUDING GFI DUPLEX RECEPTACLE AND BANNER ARMS) PER SPECIAL PROVISIONS (ORNAMENTAL LIGHT UNIT, COMPLETE) WITH CONCRETE FOUNDATION
		DECORATIVE PEDESTRIAN LUMINAIRE WITH DECORATIVE 4' ALUMINUM ARM MOUNTED ON 16'-6" DECORATIVE ALUMINUM POLE (INCLUDING GFI DUPLEX RECEPTACLE AND BANNER ARMS) PER SPECIAL PROVISIONS (PEDESTRIAN ST LIGHT) WITH CONCRETE FOUNDATION
		DECORATIVE ROADWAY LUMINAIRE WITH DECORATIVE 15' STEEL ARM MOUNTED ON 35' TRAFFIC SIGNAL POLE PER SPECIAL PROVISIONS
		UNDERPASS LUMINAIRE (SPECIAL), PER SPECIAL PROVISIONS, MOUNTED TO VIADUCT STRUCTURE
		ROADWAY LIGHTING UNIT WITH HIGH PRESSURE SODIUM TYPE LUMINAIRE AND POLE
		PEDESTRIAN LIGHTING UNIT WITH INDUCTION TYPE LUMINAIRE AND POLE
		PORTLAND CEMENT CONCRETE HANDHOLE
		PROPOSED LIGHTING CONTROLLER (* AS NOTED)
		COMPOSITE TYPE JUNCTION BOX, SPECIAL (12"W x 12"L x 12"D)
		GULFBOX JUNCTION, COMPOSITE CONCRETE (13"W x 24"L x 12"D)
		2" PVC CONDUIT (SCHEDULE 80), AUGURED
		2" PVC CONDUIT (SCHEDULE 40), TRENCHED
		UNDERGROUND CONDUIT
		OVERHEAD ELECTRICAL CONDUCTORS
		WALL MOUNTED JUNCTION BOX

KEYED NOTES (THIS SHEET)

- (A) EXISTING LIGHTING UNIT (POLE AND LUMINAIRE) TO BE REMOVED COMPLETE.
- (E) REMOVE EXISTING CONDUCTORS BACK TO NEAREST JUNCTION BOX OR LIGHTING UNIT TO REMAIN. CUT OFF CONDUIT BELOW GRADE AND ABANDON IN PLACE.
- (G) EXISTING LIGHTING UNIT (POLE AND LUMINAIRE) TO REMAIN.
- (H) EXISTING CONDUIT AND CONDUCTORS TO REMAIN.
- (B) (C) (D) (F) (I) (J) (K) (L) (M) (N) (O) (P) (Q) (R) (S) NOT USED



FILE NAME = p:\c0010720_mcore\plans\sheets\Project2\p2-sht-lighting.dgn
PLOT DATE = 3/29/2016 4:57:25 PM

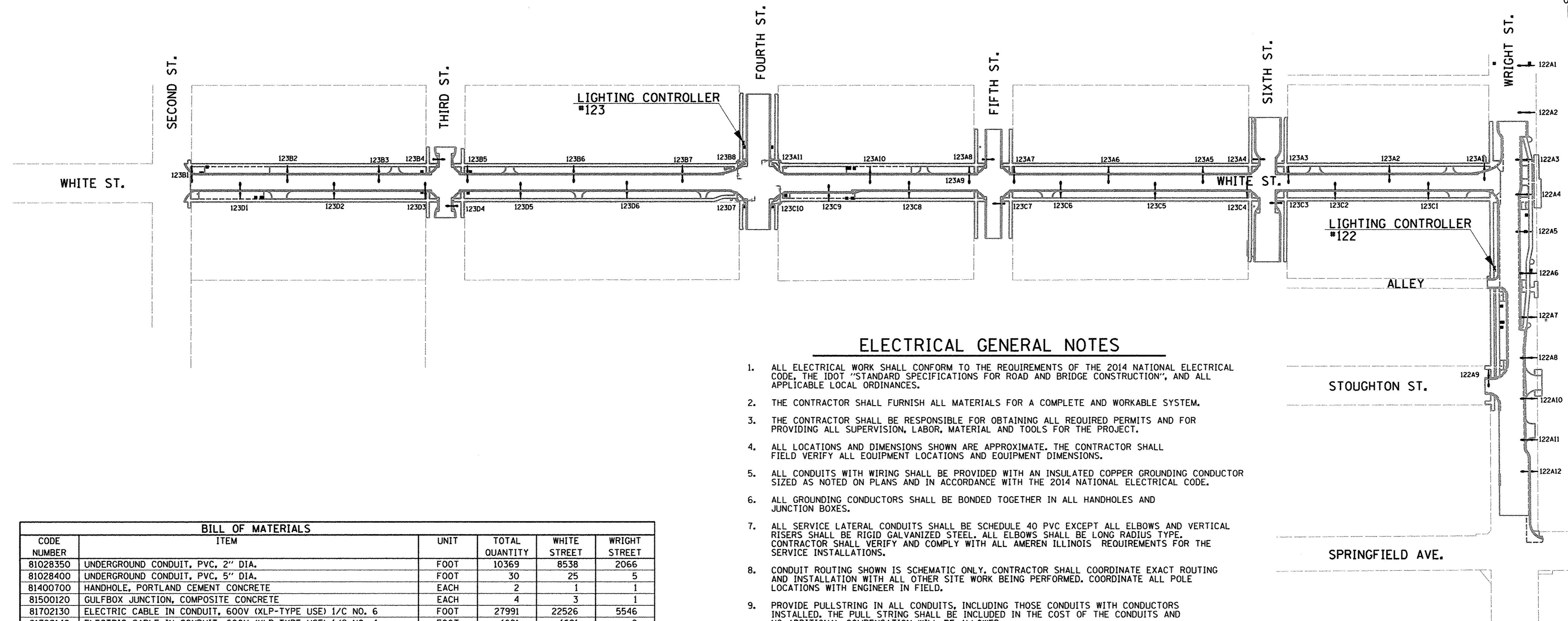
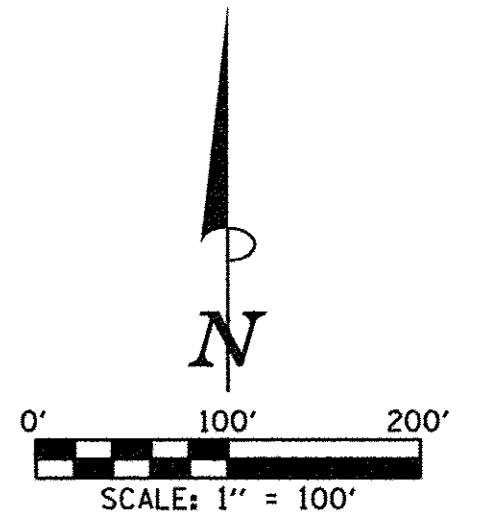
DESIGNED - M.L.S.	REVISED -
DRAWN - D.L.M.	REVISED -
CHECKED - L.M.Z.	REVISED -
DATE - MARCH 2016	REVISED -

STATE OF ILLINOIS
DEPARTMENT OF TRANSPORTATION

ROADWAY LIGHTING PLANS - THIRD STREET

SCALE : 1"=20' SHEET NO. 299 OF 412 SHEETS STA. 303+00.00 TO STA. 308+00.00

F.A.U. RTE.	SECTION	COUNTY	TOTAL SHEETS	SHEET NO.
7126	15-00304-02-PV	CHAMPAIGN	412	299
MCORE PROJECT 2			CONTRACT NO. 91540	
JOB NO. C-95-306-16			ILLINOIS FED. AID PROJECT TIG-5181058)	



ELECTRICAL GENERAL NOTES

1. ALL ELECTRICAL WORK SHALL CONFORM TO THE REQUIREMENTS OF THE 2014 NATIONAL ELECTRICAL CODE, THE IDOT "STANDARD SPECIFICATIONS FOR ROAD AND BRIDGE CONSTRUCTION", AND ALL APPLICABLE LOCAL ORDINANCES.
2. THE CONTRACTOR SHALL FURNISH ALL MATERIALS FOR A COMPLETE AND WORKABLE SYSTEM.
3. THE CONTRACTOR SHALL BE RESPONSIBLE FOR OBTAINING ALL REQUIRED PERMITS AND FOR PROVIDING ALL SUPERVISION, LABOR, MATERIAL AND TOOLS FOR THE PROJECT.
4. ALL LOCATIONS AND DIMENSIONS SHOWN ARE APPROXIMATE. THE CONTRACTOR SHALL FIELD VERIFY ALL EQUIPMENT LOCATIONS AND EQUIPMENT DIMENSIONS.
5. ALL CONDUITS WITH WIRING SHALL BE PROVIDED WITH AN INSULATED COPPER GROUNDING CONDUCTOR SIZED AS NOTED ON PLANS AND IN ACCORDANCE WITH THE 2014 NATIONAL ELECTRICAL CODE.
6. ALL GROUNDING CONDUCTORS SHALL BE BONDED TOGETHER IN ALL HANDHOLES AND JUNCTION BOXES.
7. ALL SERVICE LATERAL CONDUITS SHALL BE SCHEDULE 40 PVC EXCEPT ALL ELBOWS AND VERTICAL RISERS SHALL BE RIGID GALVANIZED STEEL. ALL ELBOWS SHALL BE LONG RADIUS TYPE. CONTRACTOR SHALL VERIFY AND COMPLY WITH ALL AMEREN ILLINOIS REQUIREMENTS FOR THE SERVICE INSTALLATIONS.
8. CONDUIT ROUTING SHOWN IS SCHEMATIC ONLY. CONTRACTOR SHALL COORDINATE EXACT ROUTING AND INSTALLATION WITH ALL OTHER SITE WORK BEING PERFORMED. COORDINATE ALL POLE LOCATIONS WITH ENGINEER IN FIELD.
9. PROVIDE PULLSTRING IN ALL CONDUITS, INCLUDING THOSE CONDUITS WITH CONDUCTORS INSTALLED. THE PULL STRING SHALL BE INCLUDED IN THE COST OF THE CONDUITS AND NO ADDITIONAL COMPENSATION WILL BE ALLOWED.
10. THE CONTRACTOR SHALL TAG ALL ELECTRICAL CONDUCTORS (PHASE CONDUCTORS, NEUTRALS, AND GROUNDS) WITH PERMANENT TAGS. EACH CONDUCTOR SHALL BE TAGGED IN ALL CONCRETE HANDHOLES, JUNCTION BOXES, AND POLE HANDHOLES. THE TAG SHALL INDICATE THE LIGHTING CONTROLLER AND CIRCUIT NUMBER FROM WHICH THE CONDUCTORS ORIGINATE.
11. ALL CONDUITS SHALL BE 30" BELOW FINAL GRADE UNLESS OTHERWISE DIRECTED BY THE ENGINEER. CONTRACTOR IS RESPONSIBLE FOR REPAIR TO ALL UNDERGROUND UTILITIES DAMAGED DURING INSTALLATION OF ROADWAY LIGHTING AND PLANTER RECEPTACLE SYSTEMS.
12. GROUND RODS SHALL BE 3/4" DIAMETER x 10'-0" LONG COPPER CLAD STEEL. GROUNDING ELECTRODE CONDUCTORS SHALL BE #4 SOLID COPPER AND SHALL BE EXOTHERMICALLY WELDED TO GROUNDING ELECTRODE. GROUND ROD SHALL BE INSTALLED ONLY AT CONCRETE POLE FOUNDATIONS AND LIGHTING CONTROLLER.
13. POLE WIRING WILL NOT BE PAID FOR SEPARATELY BUT SHALL BE INCLUDED WITH THE LUMINAIRE PER ARTICLE 821.03 OF THE STANDARD SPECIFICATIONS.
14. WHERE EXISTING CONDUCTORS ARE TO BE ABANDONED IN PLACE, THE CONDUCTORS SHALL BE DISCONNECTED AND ISOLATED FROM EXISTING CONDUCTORS WHICH ARE TO REMAIN ENERGIZED.
15. THE CONTRACTOR SHALL USE CARE IN CONSTRUCTING THE LIGHT POLES THAT ARE NEAR TRENCH EXCAVATIONS FOR STORM SEWERS AND OTHER UTILITIES. THE CONTROLLED LOW-STRENGTH MATERIAL SHALL BE BLOCKED OUT AT THE CONCRETE FOUNDATION LOCATIONS TO ALLOW FOR THEIR LATER CONSTRUCTION AS DIRECTED BY THE ENGINEER.
16. THE EXISTING LIGHTING UNITS (LUMINAIRES AND POLES) THAT ARE NOTED TO BE SALVAGED SHALL REMAIN THE PROPERTY OF THE CITY OF CHAMPAIGN, AND SHALL BE MOVED TO AND STORED AT A LOCATION DESIGNATED BY THE ENGINEER FOR PICK UP BY THE CITY'S FORCES.
17. CONDUITS ARE INDICATED AS TRENCHED OR AUGERED FOR INFORMATION PURPOSES. ALL CONDUIT WILL BE PAID AT THE CONTRACT UNIT PRICE PER FOOT FOR UNDERGROUND CONDUIT OF THE TYPE AND SIZE SPECIFIED.
18. MTD KIOSKS WILL BE PROVIDED BY OTHERS. THE CONTRACTOR SHALL COORDINATE THE CONDUIT FEEDS WITH THE CHAMPAIGN-URBANA MASS TRANSIT DISTRICT AND AS DIRECTED BY THE ENGINEER. THIS COORDINATION SHALL BE INCLUDED IN THE COST OF THE CONDUITS AND NO ADDITIONAL COMPENSATION WILL BE ALLOWED. SEE SPECIAL PROVISIONS FOR ADDITIONAL INFORMATION.

BILL OF MATERIALS					
CODE NUMBER	ITEM	UNIT	TOTAL QUANTITY	WHITE STREET	WRIGHT STREET
81028350	UNDERGROUND CONDUIT, PVC, 2" DIA.	FOOT	10369	8538	2066
81028400	UNDERGROUND CONDUIT, PVC, 5" DIA.	FOOT	30	25	5
81400700	HANDHOLE, PORTLAND CEMENT CONCRETE	EACH	2	1	1
81500120	GULFBOX JUNCTION, COMPOSITE CONCRETE	EACH	4	3	1
81702130	ELECTRIC CABLE IN CONDUIT, 600V (XLP-TYPE USE) 1/C NO. 6	FOOT	27991	22526	5546
81702140	ELECTRIC CABLE IN CONDUIT, 600V (XLP-TYPE USE) 1/C NO. 4	FOOT	1691	1691	0
81702170	ELECTRIC CABLE IN CONDUIT, 600V (XLP-TYPE USE) 1/C NO. 2/0	FOOT	5948	5948	0
81702180	ELECTRIC CABLE IN CONDUIT, 600V (XLP-TYPE USE) 1/C NO. 3/0	FOOT	831	507	324
83600200	LIGHT POLE FOUNDATION, 24" DIAMETER	FOOT	352	256	96
84200600	REMOVAL OF LIGHTING UNIT, NO SALVAGE	EACH	27	21	6
84200804	REMOVAL OF POLE FOUNDATION	EACH	4	4	0
X0326654	ORNAMENTAL LIGHT UNIT, COMPLETE	EACH	38	26	12
X0327739	MISCELLANEOUS ELECTRICAL WORK	LSUM	1	0	1
X8040102	ELECTRIC SERVICE INSTALLATION, SPECIAL	EACH	2	1	1
X8130110	JUNCTION BOX (SPECIAL)	EACH	30	20	10
X8130125	REMOVE EXISTING JUNCTION BOX	EACH	8	6	2
X8250505	LIGHTING CONTROLLER, SPECIAL	EACH	2	1	1
X8710012	FIBER OPTIC CABLE IN CONDUIT (INSTALL ONLY)	FOOT	347	347	0
XX007797	LUMINAIRE (SPECIAL)	EACH	4	4	0
XX008280	ORNAMENTAL STREET LIGHTING UNIT - SINGLE TEARDROP FIXTURE	EACH	6	6	0
XX009128	FIBER OPTIC CABLE IN CONDUIT (SPECIAL)	FOOT	1155	0	1155



FILE NAME = P:\C0010720_MCORE\Plans\Sheets\Project3\P3-sht-1-lighting.dgn
 PLOT DATE = 8/24/2016 2:44:47 PM

DESIGNED - M.L.S. REVISED - M.L.S.
 DRAWN - L.F.D. REVISED - R.J.H.
 CHECKED - L.M.Z. REVISED - S.M.W.
 DATE - MARCH 2016 REVISED - AUGUST 2016

STATE OF ILLINOIS
 DEPARTMENT OF TRANSPORTATION

ROADWAY LIGHTING PLANS - WHITE/WRIGHT STREET

SCALE : 1"=100' SHEET NO. 300 OF 412 SHEETS STA. TO STA.

F.A.U. RTE.	SECTION	COUNTY	TOTAL SHEETS	SHEET NO.
	15-00304-02-PV	CHAMPAIGN	412	300
MCORE PROJECT 3			CONTRACT NO. 91540	
JOB NO. C-95-306-16 ILLINOIS FED. AID PROJECT TIG-51810581				