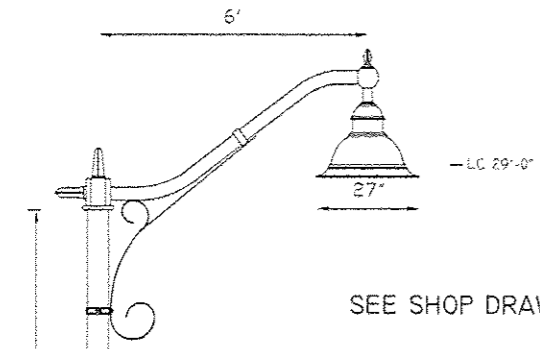
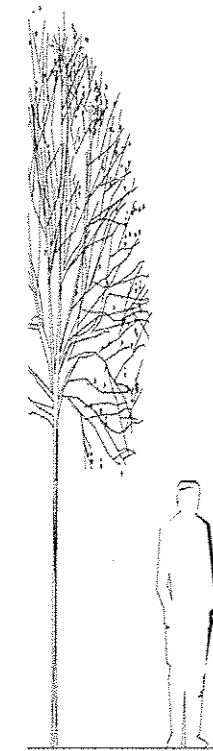


85631

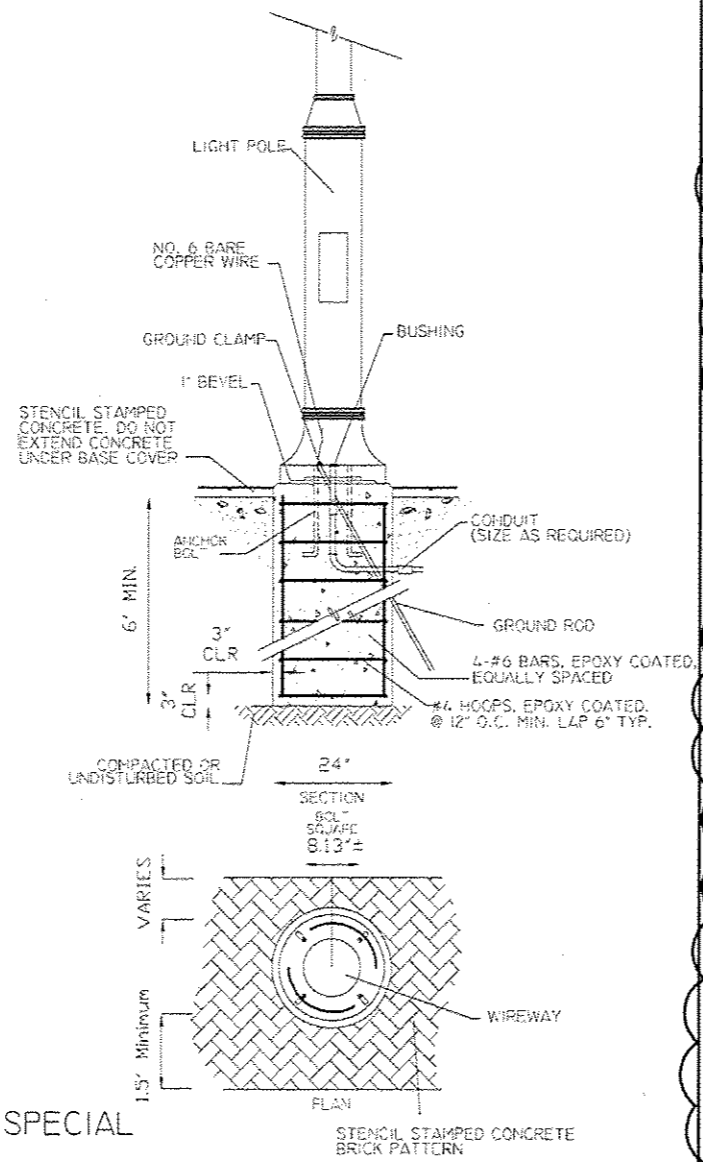


SEE SHOP DRAWINGS FOR ADDITIONAL DETAILS



28'

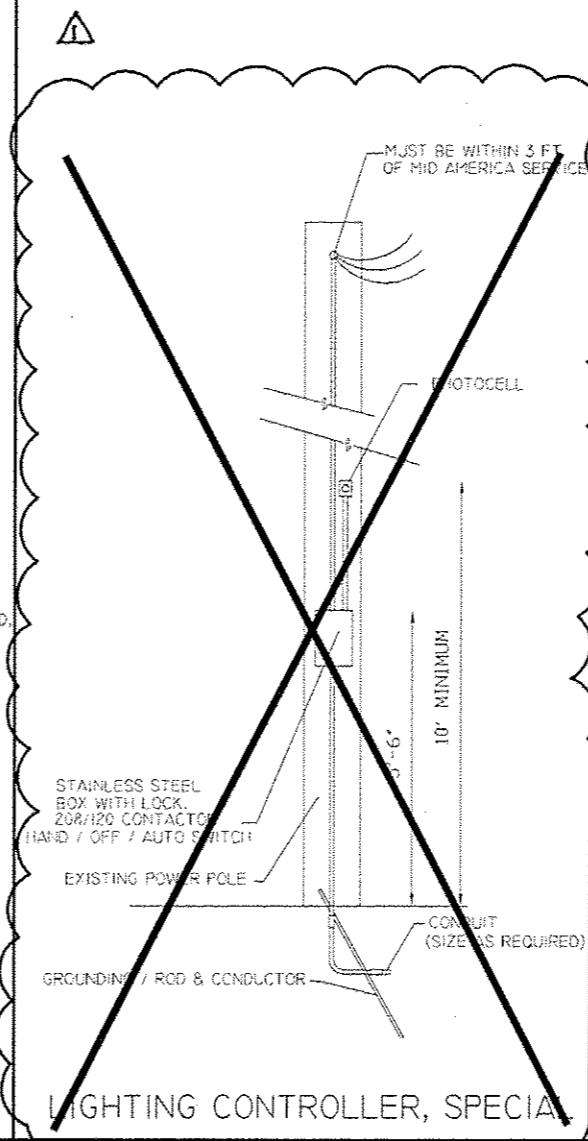
LIGHTING UNIT COMPLETE, SPECIAL



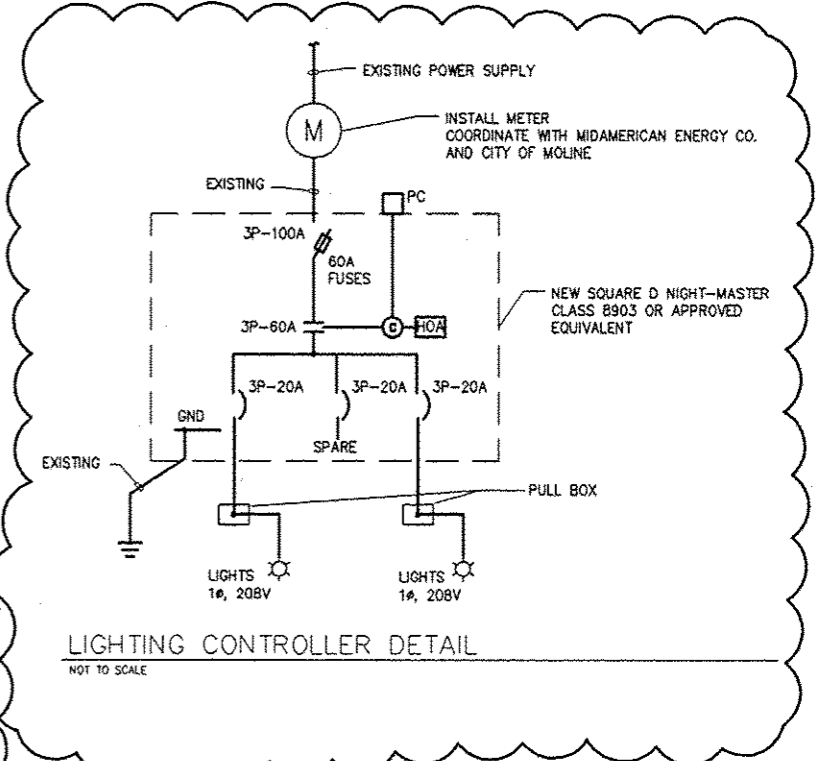
SECTION  
8.13"

PLAN  
8.13"

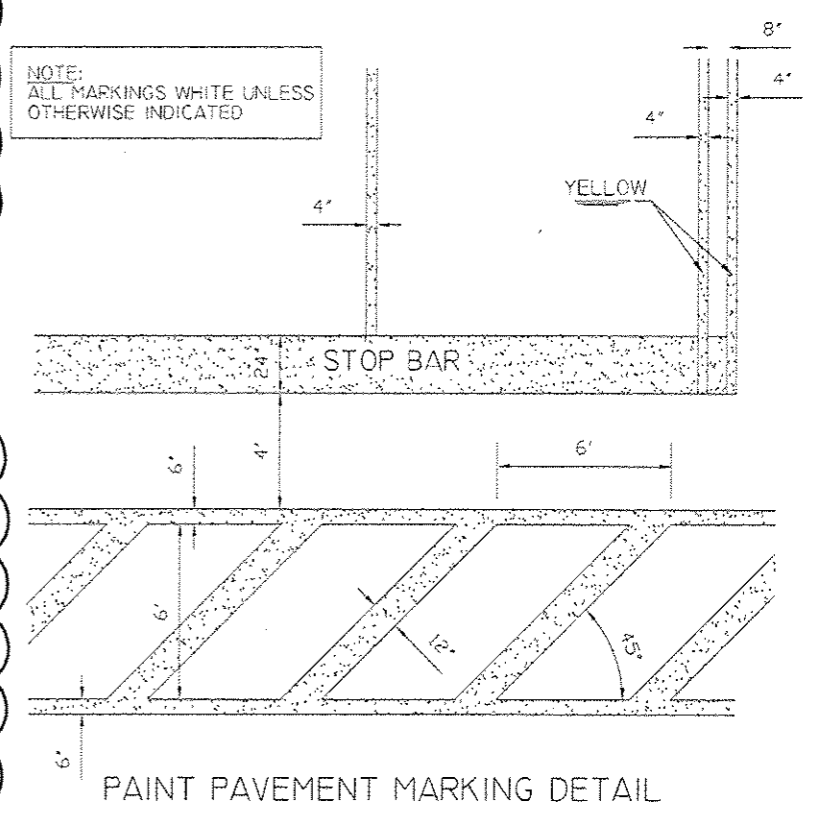
STENCIL STAMPED CONCRETE BRICK PATTERN



LIGHTING CONTROLLER, SPECIAL



LIGHTING CONTROLLER DETAIL  
NOT TO SCALE



PAINT PAVEMENT MARKING DETAIL



CITY OF MOLINE  
DEPARTMENT OF PUBLIC WORKS - ENGINEERING DIVISION  
3635 4TH AVENUE, MOLINE, IL 61265  
(309) 524-2350  
CITY ENGINEER - SCOTT HINTON, P.E.

AVENUE OF THE CITIES - STREETSCAPE  
PROJECT DETAILS

Date	Revision
10-25-16	CHANGED LIGHTING CONTROLLER DETAIL

Date	6-15-16	Sheet	67
Scale	NTS	of	67
Design Engineer	MPK	Project	FAU 5773