

1. COVER
2. GENERAL NOTES
3. HIGHWAY STANDARDS AND LEGEND
- 4.-10. SUMMARY OF QUANTITIES
- 11.-18. TYPICAL SECTIONS
- 19.-21. SCHEDULE OF QUANTITIES
22. HORIZONTAL ALIGNMENT LAYOUT AND CONTROL
23. SURVEY CONTROL TIES
- 24.-29. R.O.W. PLANS
30. NON-SPECIAL WASTE OVERVIEW
- 31.-37. REMOVAL PLANS
- 38.-45. PLAN AND PROFILE
- 46.-57. DRAINAGE PLANS & SCHEDULES
- 58.-63. EROSION CONTROL PLANS
- 64.-73. PAVEMENT MARKING AND SIGNING PLANS
- 74.-77. PAVEMENT JOINTING PLANS
- 78.-81. BUS PULLOFF DETAILS
- 82.-85. BUS STOP DETAILS
- 86.-97. BUS DETAILS
- 98.-115. WATER MAIN PLANS
- 116.-126. LIGHTING PLANS
- 127.-137. LANDSCAPE PLANS
- 138.-146. TRAFFIC SIGNAL PLANS
- 147.-155. TRAFFIC CONTROL PLANS
- 156.-159. INTERSECTION DETAILS
- 160.-165. GRADING AND LAYOUT DETAILS
- 166.-170. SIDEWALK RAMP DETAILS
- 171.-187. DETAILS
- 188.-223. CROSS SECTIONS-GREEN STREET
- 224.-225. CROSS SECTIONS-LINCOLN AVENUE
- 226.-230. CROSS SECTIONS-UNION GRADING
- 231.-236. IDOT DISTRICT 5 STANDARDS

ILLINOIS HIGHWAY STANDARD DRAWINGS  
(SEE SHEET NO. 3)

STATE OF ILLINOIS  
DEPARTMENT OF TRANSPORTATION

# PROPOSED ROADWAY PLANS MCORE PROJECT 1-GREEN STREET

FROM WRIGHT STREET TO BUSEY AVENUE  
ROUTE 7126 (GREEN STREET)

SECTION 15-00304-01-PV

PROJECT TIG-5181(057)

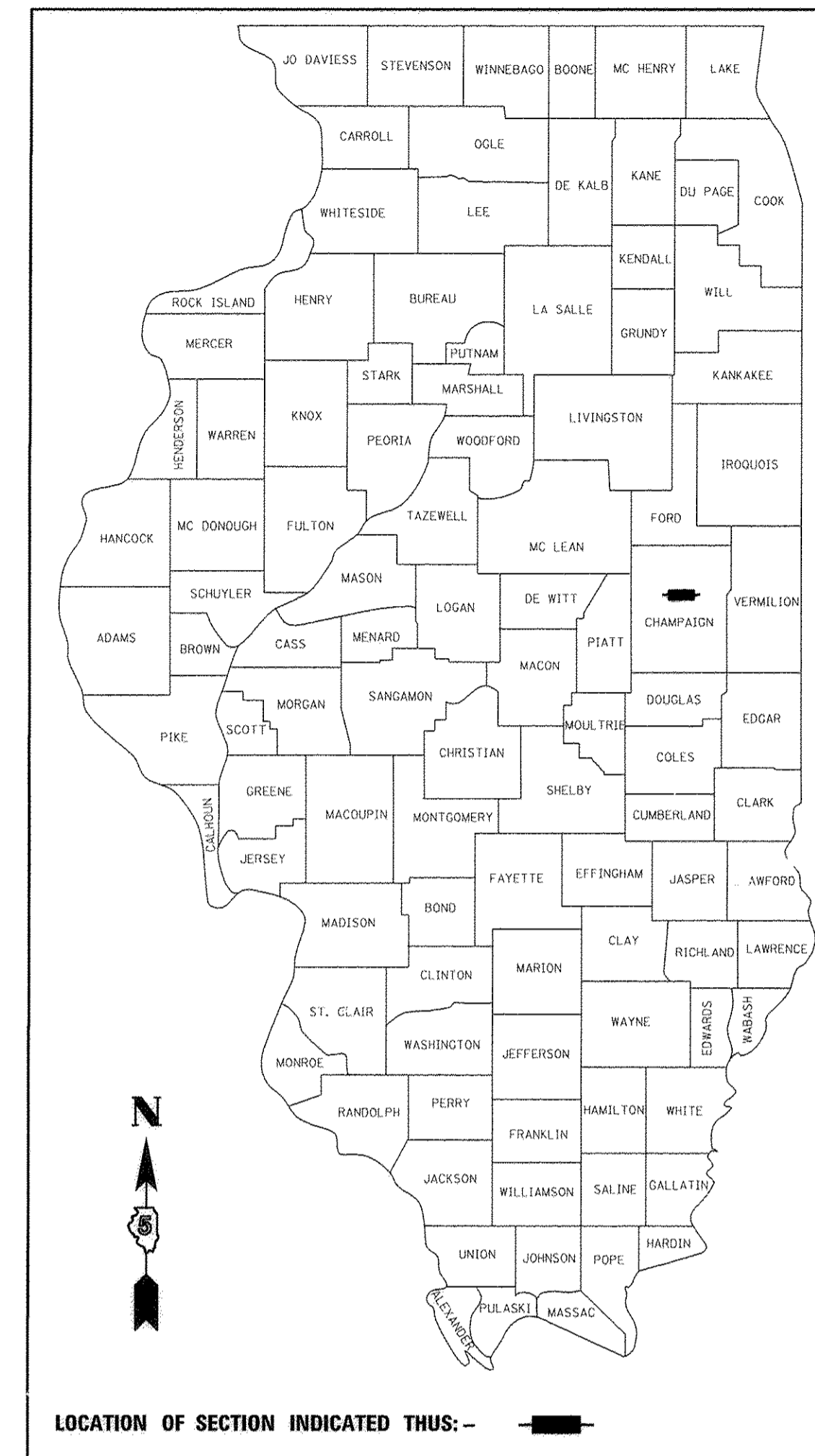
URBANA PROJECT 15-00551-00-PV

CITY OF URBANA

CHAMPAIGN COUNTY, ILLINOIS

JOB C-95-305-16

F.A.U. RTE.	SECTION	COUNTY	TOTAL SHEETS	SHEET NO.
7126	15-00304-01-PV	CHAMPAIGN	236	1
		ILLINOIS	CONTRACT NO. 91539	



J.U.L.I.E.  
JOINT UTILITY LOCATION INFORMATION FOR EXCAVATION  
1-800-892-0123  
OR 811

**PRINTED BY THE AUTHORITY  
OF THE STATE OF ILLINOIS**

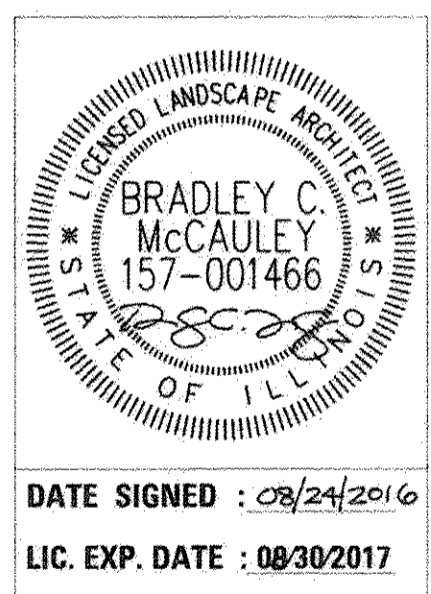
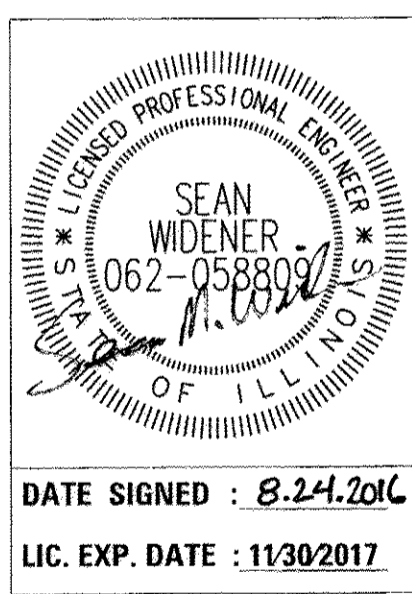
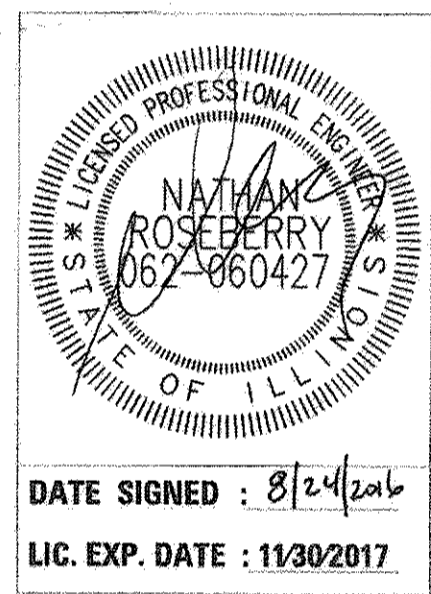
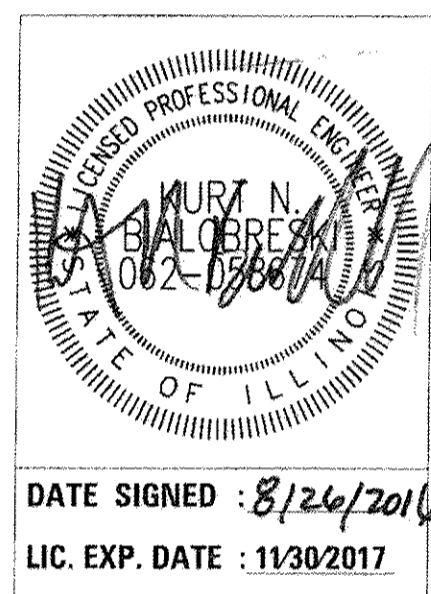
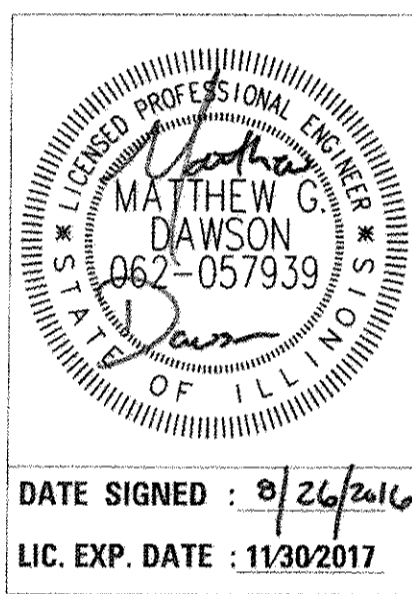
PASSED 8/25 2016  
*David L. Clark*  
ENGINEER CITY OF CHAMPAIGN

PASSED 8/25 2016  
*Wesley R. Gray*  
ENGINEER CITY OF URBANA

PASSED AUGUST 31 2016  
*Ben K. Rysse*  
DISTRICT FIVE ENGINEER OF  
LOCAL ROADS & STREETS

Releasing For  
Bid Based on  
Limited Review August 31 2016  
*David L. Clark*  
REGION THREE ENGINEER

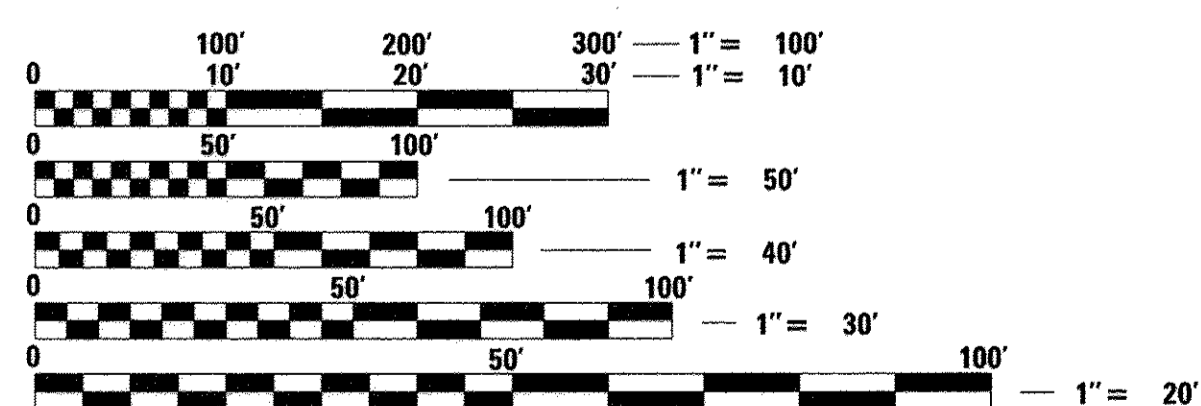
STATE OF ILLINOIS  
DEPARTMENT OF TRANSPORTATION



CLARK-DIETZ  
WATERMAIN

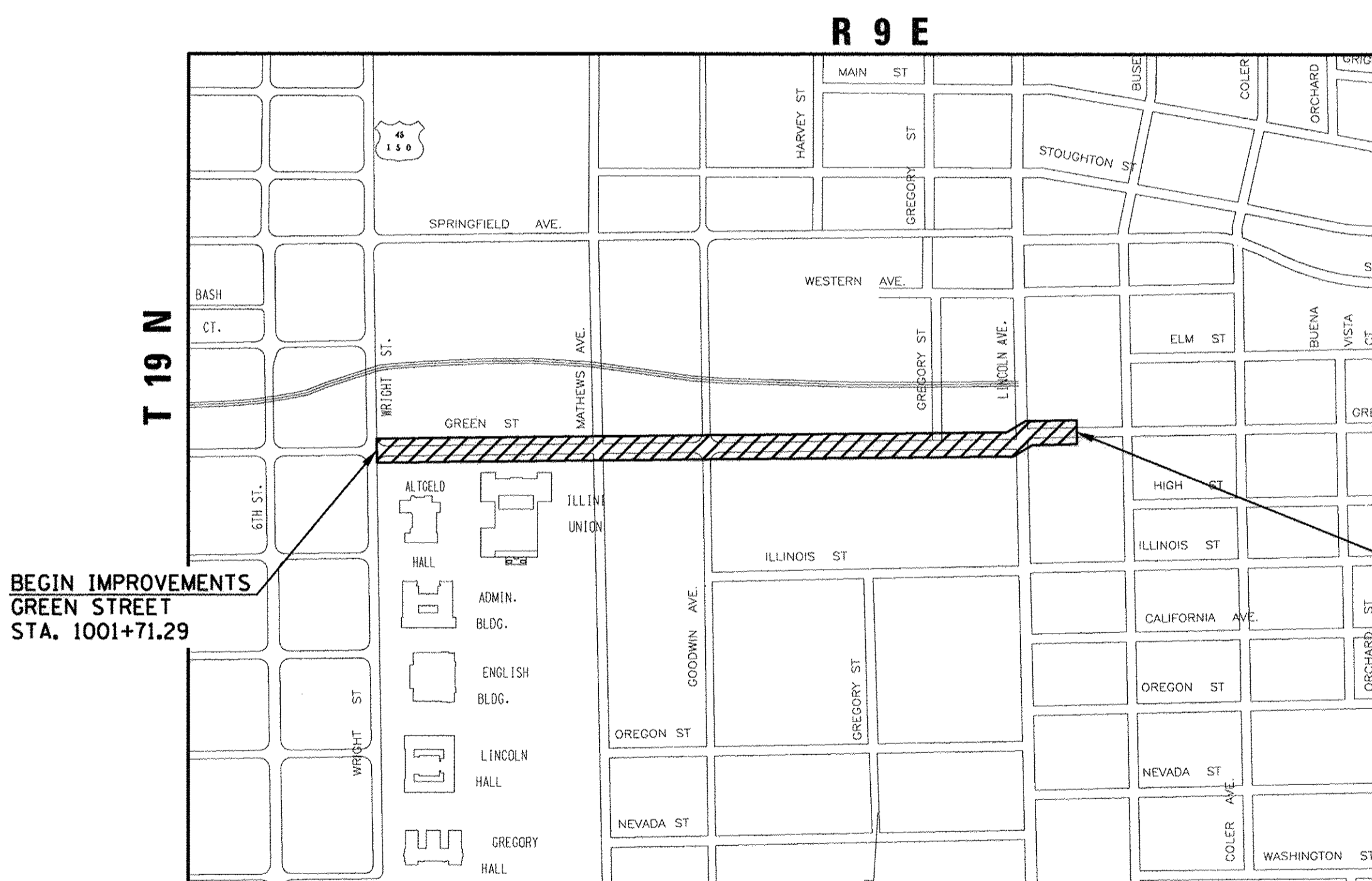
CLARK-DIETZ  
LIGHTING

SITE DESIGN GROUP  
LANDSCAPE DESIGN



FULL SIZE PLANS HAVE BEEN PREPARED USING STANDARD  
ENGINEERING SCALES. REDUCED SIZED PLANS WILL NOT  
CONFORM TO STANDARD SCALES. IN MAKING MEASUREMENTS  
ON REDUCED PLANS, THE ABOVE SCALES MAY BE USED.

PROJECT MANAGER: CINDY LOOS, P.E.  
PROJECT ENGINEER: MATTHEW DAWSON, P.E.  
309.691.0902  
CONTRACT #91539



GROSS LENGTH = 3026.21 FT. = 0.573 MILE  
NET LENGTH = 3026.21 FT. = 0.573 MILE  
DESIGN POLICY: BLR MANUAL

ROUTE	STREET	ADT (2036)	SU	MU*	FUNCTIONAL CLASSIFICATION	DESIGN SPEED
FAU 7126	GREEN STREET	14,800	0	9.0%	ARTERIAL	25 MPH
FAU 7175	GOODWIN AVENUE	7,300	0	14.1%	MAJOR COLLECTOR	25 MPH
FAU 7177	LINCOLN AVENUE	16,300	0	3.2%	MINOR ARTERIAL	30 MPH

MU\* = PERCENTAGE INCLUDES ALL TRUCKS AND BUSES

AUGUST 26, 2016

© Copyright Hanson Professional Services Inc. 2016

Hanson Professional Services Inc.  
7625 N. University St., Suite 200  
Peoria, Illinois 61614  
Offices Nationwide

# GENERAL NOTES

- ALL ELEVATIONS SHOWN ARE REFERRED TO THE N.A.V.D. 88 DATUM.
- WHEREVER IN THE PLANS OR SPECIFICATIONS THE TERM "STANDARD SPECIFICATIONS" IS USED IT SHALL BE UNDERSTOOD BY THE CONTRACTOR TO MEAN THE "STANDARD SPECIFICATIONS FOR ROAD AND BRIDGE CONSTRUCTION" AND "SUPPLEMENTAL SPECIFICATIONS AND RECURRING SPECIAL PROVISIONS" AS PREPARED BY THE ILLINOIS DEPARTMENT OF TRANSPORTATION AND ADOPTED ON APRIL 1, 2016.
- WHEREVER IN THE PLANS OR SPECIFICATIONS THE TERM "STANDARD SPECIFICATIONS FOR WATER AND SEWER CONSTRUCTION" IS USED IT SHALL BE UNDERSTOOD BY THE CONTRACTOR TO MEAN THE "STANDARD SPECIFICATIONS FOR WATER AND SEWER CONSTRUCTION IN ILLINOIS" AS PREPARED BY I.S.P.E., A.G.C.I., I.M.L., AND U.C.A., ADOPTED 2014.
- ANY REFERENCE TO STANDARDS THROUGHOUT THE PLANS SHALL BE INTERPRETED TO BE THE LATEST STANDARDS OF THE DEPARTMENT AS SHOWN ON THE HIGHWAY STANDARDS AND LEGEND.
- IT IS THE CONTRACTOR'S RESPONSIBILITY TO ASCERTAIN EXISTING FIELD CONDITIONS BEFORE BIDDING ON THE PROJECT.
- THE CONTRACTOR WILL BE REQUIRED TO COMPLY WITH STATE REGULATIONS REGARDING AIR, WATER, AND NOISE POLLUTION.
- THE CONTRACTOR SHALL TAKE CARE NOT TO STORE OR DISPOSE OF DEBRIS OR UNSUITABLE MATERIALS WITHIN LIMITS OF THE IMPROVEMENT AND TAKE CARE TO LIMIT CONSTRUCTION TO WITHIN THE RIGHT-OF-WAY AND EASEMENT AREAS. UNNECESSARY ENCROACHMENTS ONTO PRIVATE OR PUBLIC AREAS WILL NOT BE ALLOWED.
- WHERE SECTION OR SUBSECTION MONUMENTS, BENCHMARKS, OR IRON PIPE MONUMENTS ARE ENCOUNTERED, THE ENGINEER SHALL BE NOTIFIED BEFORE SUCH MONUMENTS ARE REMOVED. THE CONTRACTOR SHALL PROTECT AND CAREFULLY PRESERVE ALL MONUMENTS UNTIL AN ILLINOIS REGISTERED LAND SURVEYOR OR AGENT HAS WITNESSED OR OTHERWISE REFERENCED THEIR LOCATION. THE CONTRACTOR SHALL BE RESPONSIBLE FOR HAVING AN ILLINOIS REGISTERED LAND SURVEYOR RE-ESTABLISH ANY MONUMENTS UNNECESSARILY DESTROYED BY HIS OR HER OPERATIONS.
- ALL STREET RETURNS HAVE RADII DESIGNATED TO THE EDGE OF PAVEMENT UNLESS OTHERWISE NOTED ON THE PLANS.
- THE EXCAVATION FOR THIS PROJECT IS CLASSIFIED AS EARTH EXCAVATION IN ACCORDANCE WITH SECTION 202 OF THE STANDARD SPECIFICATIONS. THE EARTH EXCAVATION SHALL INCLUDE THE REMOVAL OF EARTH AND UNCLASSIFIED MATERIALS, AND THE TRANSPORTATION AND PLACEMENT OF SUITABLE MATERIALS IN EMBANKMENTS. THE REMAINING EXCAVATION IS CLASSIFIED AS REMOVAL AND DISPOSAL OF UNSUITABLE MATERIAL, PAVEMENT REMOVAL, CURB AND GUTTER REMOVAL, DRIVEWAY PAVEMENT REMOVAL AND SIDEWALK REMOVAL.
- IT MAY BE NECESSARY TO UNDERCUT AND REMOVE EARTH AND ORGANIC MATERIAL BELOW THE PROPOSED PAVEMENT SYSTEM OR BOTTOM OF TRENCHES AS DIRECTED BY THE ENGINEER. ALL UNSTABLE, UNSUITABLE, OR ORGANIC MATERIAL SHALL BE DISPOSED OF AS DIRECTED BY THE ENGINEER. MATERIALS THAT ARE REMOVED AND ARE NOT CLASSIFIED AS EARTH EXCAVATION SHALL BE MEASURED AND PAID FOR AS REMOVAL AND DISPOSAL OF UNSUITABLE MATERIAL. SEE THE "SUBGRADE REMOVAL AND REPLACEMENT DETAIL" ON THE PROPOSED TYPICAL SECTION NOTES AND TABLES SHEET FOR ADDITIONAL INFORMATION.
- ALL EXISTING STUMPS WHICH LIE WITHIN RIGHT-OF-WAY LIMITS SHALL BE REMOVED AS DIRECTED BY THE ENGINEER. ALL STUMPS REMOVED SHALL BE CLASSIFIED AND PAID FOR AS TREE REMOVAL IN ACCORDANCE WITH THE STANDARD SPECIFICATIONS.
- TREES TO BE REMOVED: THE INDICATED TREES (INCLUDING STUMPS) TO BE REMOVED SHALL BE SUITABLY MARKED BY THE ENGINEER BEFORE TREE REMOVAL OPERATIONS BEGIN. ALL TREES, STUMPS AND ROOTS SHALL BE COMPLETELY REMOVED AND DISPOSED OF. THIS WORK SHALL BE INCLUDED IN THE COST OF THE TREE REMOVAL AND NO ADDITIONAL COMPENSATION WILL BE ALLOWED.
- TREES TO BE SAVED OR PRUNED: PARTICULAR EFFORT SHALL BE MADE TO SAVE ALL DESIRABLE EXISTING TREES OR SHRUBS. ONLY A MINIMUM OF GRADING WILL BE PERMITTED AROUND TREES AS DETERMINED BY THE ENGINEER. THE CONTRACTOR WILL ALSO BE RESPONSIBLE FOR AVOIDING CONFLICTS BETWEEN OVERHEAD TREE LIMBS AND THE EQUIPMENT USED FOR EXCAVATING. ANY NECESSARY TREE PRUNING SHALL BE DONE BY A CERTIFIED ARBORIST EMPLOYED BY THE CONTRACTOR AND APPROVED BY THE ENGINEER. THE CONTRACTOR WILL BE HELD RESPONSIBLE FOR UNNECESSARY DAMAGE TO TREES, SHRUBS, OR LANDSCAPING INTENDED TO BE SAVED.
- THE FINISHED EARTHWORK SHALL HAVE VEGETATIVE SUSTAINING TOPSOIL COVERING THE TOP 4 OR 24 INCHES IN AREAS TO BE SODDED (AS SHOWN ON THE LANDSCAPING PLANS). THE TOPSOIL REQUIRED WILL BE MEASURED AND PAID FOR AS TOPSOIL FURNISH AND PLACE, 4" OR 24".
- ONLY EXISTING PAVEMENT, BASE COURSES AND DRIVEWAY PAVEMENTS COMPOSED OF PORTLAND CEMENT CONCRETE, ASPHALT OR BRICK WILL BE MEASURED AND PAID FOR AS "PAVEMENT REMOVAL" OR "DRIVEWAY PAVEMENT REMOVAL" AS THE CASE MAY BE IN ACCORDANCE WITH SECTION 440 OF THE STANDARD SPECIFICATIONS AND THE SPECIAL PROVISIONS. NO ADDITIONAL COMPENSATION WILL BE ALLOWED FOR PAVEMENT REMOVAL ITEMS DUE TO VARIATIONS IN PAVEMENT TYPES, THICKNESSES OR AMOUNT OF REINFORCEMENT. THE ADJUSTMENT OF QUANTITIES AS SPECIFIED IN ARTICLE 440.07 OF THE STANDARD SPECIFICATIONS SHALL NOT APPLY. REMOVAL OF OTHER TYPES OF PAVEMENT COMPOSITION SUCH AS AGGREGATE OR A MIX OF AGGREGATE/OIL AND CHIP WILL BE MEASURED AND PAID FOR AS "EARTH EXCAVATION" IN ACCORDANCE WITH SECTION 202 OF THE STANDARD SPECIFICATIONS.
- ALL DISTURBED AREAS SHALL BE SODDED OR SEED AS SHOWN ON THE PLANS. SEEDING, SODDING, AND MULCHING SHALL BE DONE AS SOON AS EACH STAGE IS COMPLETED AS DIRECTED BY THE ENGINEER. EXISTING TURF WHICH IS DAMAGED OUTSIDE THE LIMITS OF THE RIGHT-OF-WAY OR EASEMENTS SHALL BE REESTABLISHED WITH SOD OR SEED AS DIRECTED BY THE ENGINEER AT THE CONTRACTOR'S EXPENSE.
- THE ENGINEER SHALL BE THE SOLE JUDGE CONCERNING CURING TIME FOR THE VARIOUS HOT-MIX ASPHALT LIFTS.
- THE FOLLOWING RATES OF APPLICATION HAVE BEEN ASSUMED IN CALCULATING PLAN QUANTITIES:

HOT-MIX ASPHALT (ALL TYPES)	112 LBS/SO YD/INCH THICKNESS	NUTRIENTS: 60 LB/ACRE (SODDING)
AGGREGATE MATERIALS	2.05 TON/CU YD	90 LB/ACRE (SEEDING)
- ALL SALVAGEABLE FRAMES AND GRATES WHICH ARE NOT INCORPORATED IN THE WORK SHALL BECOME THE PROPERTY OF THE CONTRACTOR. THE CONTRACTOR'S BID PRICE FOR VARIOUS STORM DRAINAGE WORK SHOULD REFLECT THE SALVAGE VALUE OF THE ITEMS.
- ALL TRENCHES AND EXCAVATIONS FOR DRAINAGE PIPES, STRUCTURES, OR STRUCTURE REMOVALS BELOW OR WITHIN TWO FEET LATERALLY OF THE PROPOSED PAVEMENT, SHOULDER, DRIVEWAY PAVEMENT, SIDEWALK, OR CURB AND GUTTER SHALL BE BACK FILLED WITH TRENCH BACKFILL AS SHOWN ON THE PLANS AND IN ACCORDANCE WITH THE SPECIAL PROVISIONS. BACK FILLING WITH CONTROLLED LOW-STRENGTH MATERIAL AROUND DRAINAGE STRUCTURES WILL NOT BE MEASURED FOR PAYMENT BUT SHALL BE INCLUDED IN THE COST OF THE VARIOUS DRAINAGE STRUCTURES, AND NO ADDITIONAL COMPENSATION WILL BE ALLOWED.
- STORM SEWER, WATER MAIN QUALITY SHALL BE USED AT LOCATIONS WHERE LATERAL SEPARATION BETWEEN THE SEWER AND WATER MAIN IS LESS THAN 10 FEET, OR WHERE THE WATER MAIN CROSSES BELOW THE SEWER, REGARDLESS OF VERTICAL SEPARATION, OR WHERE THE BOTTOM OF THE WATER MAIN IS LESS THAN 18 INCHES ABOVE THE TOP OF THE SEWER. THE MATERIAL SHALL BE AS INDICATED IN THE PROJECT SPECIFICATIONS.
- WHEN CONNECTIONS ARE TO BE MADE TO EXISTING PIPING AND STRUCTURES, THE LOCATION, ELEVATION AND SIZE OF THE EXISTING PIPING SHALL BE FIELD VERIFIED AND NOTIFICATION GIVEN TO THE ENGINEER IF THE EXISTING PIPING OR STRUCTURE IS FOUND TO BE DIFFERENT THAN WHAT IS SHOWN ON THE DRAWINGS. WHERE SUCH DISCREPANCY IS FOUND, WORK SHALL NOT PROCEED UNTIL DIRECTED ACCORDINGLY BY THE ENGINEER.
- WHERE PROPOSED STORM SEWERS ARE TO BE CONNECTED INTO EXISTING MANHOLES OR STORM SEWERS, THE CONNECTIONS SHALL BE MADE IN A WORKMANLIKE MANNER AND MASONRY CONSTRUCTED AROUND THEM SO AS TO PREVENT LEAKAGE. CONNECTIONS TO EXISTING STRUCTURES OR PIPES SHALL BE MADE BY CORE DRILLING HOLES IN THE STRUCTURES. SAW CUTTING HOLES MAY BE ALLOWED WITH THE APPROVAL OF THE ENGINEER. THE COST OF MAKING ANY SEWER CONNECTIONS TO AN EXISTING DRAINAGE STRUCTURE OR PIPE SHALL BE INCLUDED IN THE COST OF THE PROPOSED SEWER.
- THE EXISTING STORM SEWERS SHOWN TO BE REMOVED ON THE PLANS SHALL BE REMOVED IN ACCORDANCE WITH SECTION 551 OF THE STANDARD SPECIFICATIONS EXCEPT THAT SALVAGING OF THE PIPE WILL NOT BE REQUIRED. ANY EXISTING PIPES TO BE ABANDONED IN PLACE SHALL BE FILLED WITH GROUT AT THE DIRECTION OF THE ENGINEER.
- EXISTING PAVEMENTS, CURBS AND GUTTERS, AND SIDEWALKS IN WHICH THE TOP SURFACE IS TO BE JOINED TO THE PROPOSED WORK SHALL BE SO JOINED THROUGH SAW CUT JUNCTURES. 3/4" EXPANSION JOINT MATERIAL SHALL BE PLACED AT THESE JUNCTURES AS DIRECTED BY THE ENGINEER. COST INCLUDED IN PROPOSED WORK ITEMS WHERE THIS WILL BE PLACED.
- WHERE THE PROPOSED COMBINATION CONCRETE CURB AND GUTTER JOINS THE EXISTING CURB AND GUTTER, A TRANSITION BETWEEN THE TWO CONFIGURATIONS MAY BE REQUIRED. THIS WORK WILL BE CONSIDERED INCLUDED IN THE CONTRACT UNIT PRICE FOR CURB AND GUTTER OF THE SIZE AND TYPE SPECIFIED IN THE PLANS.
- BEFORE ORDERING DRAINAGE STRUCTURES OR PIPES, THE CONTRACTOR SHALL CONTACT THE ENGINEER FOR EXACT LENGTHS, SIZES, AND QUANTITIES REQUIRED.
- FOR STABILIZATION, ALL TYPE III BARRICADES SHALL REQUIRE A MINIMUM OF EIGHT SAND BAGS PER BARRICADE.
- WHEN REQUIRED BY ARTICLE 420.18, A PROTECTIVE COAT SHALL BE APPLIED TO CONCRETE PAVEMENT, GUTTER FLAGS, CURB SURFACES, AND OTHER CONCRETE APPURTENANCES ADJACENT TO THE PAVEMENT.
- THE CITY OF URBANA HAS ACQUIRED A N.P.D.E.S. PERMIT FOR THIS PROJECT FOR EROSION AND SEDIMENT CONTROL. TO SATISFY THE REQUIREMENTS OF THIS PERMIT, THE CONTRACTOR SHALL BE REQUIRED TO PROVIDE PERIMETER EROSION BARRIER, INLET AND PIPE PROTECTION, INLET FILTERS, AND CONCRETE TRUCK WASHOUTS AS DIRECTED BY THE ENGINEER AND IN ACCORDANCE WITH STANDARD 280001 AND AS SHOWN IN THE PLANS. PERIMETER EROSION BARRIER SHALL BE INSTALLED AT LOCATIONS AS DIRECTED BY THE ENGINEER TO PREVENT SILT AND SEDIMENT FROM LEAVING THE SITE. INLET AND PIPE PROTECTION SHALL BE INSTALLED AT DRAINAGE STRUCTURES LOCATED IN TURF AREAS AS DIRECTED BY THE ENGINEER. INLET FILTERS SHALL BE INSTALLED AT ALL INLETS AND OPEN LID MANHOLES AS DIRECTED BY THE ENGINEER. CONCRETE TRUCK WASHOUT LOCATION SHALL BE COORDINATED WITH AND APPROVED BY THE ENGINEER. ESTIMATED QUANTITIES FOR THE EROSION CONTROL ITEMS HAVE BEEN INCLUDED IN THE PROJECT AND MAY BE ADJUSTED AS DIRECTED BY THE ENGINEER.
- HORIZONTAL CENTERLINE CONTROL POINTS AND VERTICAL BENCHMARKS ARE SHOWN FOR THE CONTRACTOR TO PHYSICALLY LOCATE MONUMENTATION IN THE FIELD. IT IS THE CONTRACTOR'S RESPONSIBILITY TO MAINTAIN CENTERLINE CONTROL POINTS OR BENCHMARKS AND SET ADDITIONAL POINTS AND TIES AS NECESSARY TO INSURE THAT CONTROL POINTS AND BENCHMARKS CAN BE ACCURATELY REPLICATED DURING CONSTRUCTION.
- THE CITY OF URBANA WILL BE RESPONSIBLE FOR NOTIFYING THE PUBLIC, THE MASS TRANSIT DISTRICT, THE UNITED STATES POSTAL SERVICE, AND THE EMERGENCY SERVICE AGENCIES OF ALL ROAD CLOSURES AND CHANGES IN THE TRAFFIC CONTROL PLANS. THE CONTRACTOR SHALL NOTIFY THE CITY OF URBANA OF ALL ROAD CLOSURES AND CHANGES IN THE TRAFFIC CONTROL PLANS A MINIMUM OF 48 HOURS IN ADVANCE OF THE CLOSURE OR CHANGE.
- PRIOR TO THE START OF CONSTRUCTION, THE CONTRACTOR SHALL PROVIDE TO THE ENGINEER A DUST CONTROL PLAN IN ACCORDANCE WITH ARTICLE 107.36 OF THE STANDARD SPECIFICATIONS. DUST CONTROL SHALL BE USED FOR THE EARTHWORK OR ANY OTHER OPERATIONS THAT WARRANT DUST CONTROL MEASURES AS DIRECTED BY THE ENGINEER. THE CONTRACTOR SHALL BE RESPONSIBLE FOR CLEANING ALL DUST OR AIRBORNE EROSION FROM ADJACENT PROPERTIES IF CONCERNS OF HEALTH, SAFETY, OR DAMAGE TO THE PUBLIC ARISE FROM CONSTRUCTION OPERATIONS. WATER SHALL BE USED AS A DUST SUPPRESSANT AND CLEANING AGENT UNLESS DIRECTED OTHERWISE BY THE ENGINEER. THIS WORK WILL NOT BE PAID FOR SEPARATELY BUT SHALL BE INCLUDED IN THE COST OF EARTH EXCAVATION, AND NO ADDITIONAL COMPENSATION WILL BE ALLOWED.
- THE CONTRACTOR SHALL USE CARE IN EXCAVATING TRENCHES AND SHALL FOLLOW ALL SAFETY REQUIREMENTS. IT SHALL BE NECESSARY TO SHORE TRENCHES OR USE TRENCH BOXES TO PROTECT WORKERS AND ADJACENT EXISTING SEWERS OR UTILITIES. GEOTECHNICAL INFORMATION IS AVAILABLE FOR THE EXISTING SOILS AND CAN BE OBTAINED FROM THE ENGINEER UPON REQUEST. EXCAVATIONS RESULTING FROM THE REMOVAL OF THE STORM SEWERS THAT ARE WITHIN TWO FEET OF PAVED SURFACES SHALL BE BACK FILLED WITH CONTROLLED LOW-STRENGTH MATERIAL.
- THE CONTRACTOR SHALL BE RESPONSIBLE FOR CLEANUP OF THE SITE PRIOR TO FINAL ACCEPTANCE IN ACCORDANCE WITH ARTICLE 104.06 OF THE STANDARD SPECIFICATIONS. THIS WORK SHALL INCLUDE CLEANING ALL DRAINAGE FACILITIES OF FOREIGN MATERIALS IN ACCORDANCE WITH ARTICLE 602.15 OF THE STANDARD SPECIFICATIONS. THIS WORK SHALL BE PERFORMED AS DIRECTED BY THE ENGINEER, AND NO ADDITIONAL COMPENSATION WILL BE ALLOWED.
- EXISTING TRAFFIC CONTROL SIGNS AND POSTS SHALL BE REMOVED AND RESET, AS THE CASE MAY BE, AS SHOWN ON THE PLANS AND AS DIRECTED BY THE ENGINEER. THIS WORK SHALL BE PERFORMED IN ACCORDANCE WITH ARTICLE 107.25 OF THE STANDARD SPECIFICATIONS. EXISTING SIGNS THAT WILL NOT BE RESET AS DIRECTED BY THE ENGINEER SHALL BE RETURNED TO THE CITY OF URBANA'S PUBLIC WORKS GARAGE AT 706 S. GLOVER AVENUE. REMOVAL AND RE-INSTALLATION OF ALL EXISTING SIGNAGE WILL NOT BE PAID FOR SEPARATELY, BUT SHALL BE CONSIDERED INCLUDED WITHIN THE CONTRACT UNIT PRICE FOR EARTH EXCAVATION.

## UTILITY NOTES

- UTILITY LOCATIONS WERE PLOTTED FROM INFORMATION FURNISHED BY THE VARIOUS UTILITY COMPANIES AND THEIR ACCURACY SHOULD BE CONSIDERED APPROXIMATE. NO RESPONSIBILITY IS ACCEPTED FOR THE LOCATIONS AS SHOWN OR THAT ALL UTILITY FACILITIES ARE SHOWN. UTILITY LOCATIONS SHOWN IN THE PLANS AND PROFILES ARE APPROXIMATE AND REPRESENT LOCATIONS PRIOR TO ANY UTILITY RELOCATIONS REQUIRED TO ACCOMMODATE THE PROPOSED CONSTRUCTION. THE CONTRACTOR IS ADVISED THAT SOME UTILITY COMPANIES MAY HAVE RELOCATED THEIR FACILITIES PRIOR TO THE START OF CONSTRUCTION UNDER THIS CONTRACT. BEFORE COMMENCING CONSTRUCTION OPERATIONS THE CONTRACTOR SHALL OBTAIN FROM THE ENGINEER ANY AVAILABLE INFORMATION REGARDING THE RELOCATED POSITIONS OF UTILITIES WITHIN THE PROJECT LIMITS. WHETHER VARIOUS UTILITIES HAVE BEEN RELOCATED OR REMAIN IN THEIR ORIGINAL LOCATION, IT SHALL BE THE RESPONSIBILITY OF THE CONTRACTOR TO DETERMINE THEIR EXACT LOCATION AT THE TIME OF CONSTRUCTION AND TO PROTECT SAME. THE CONTRACTOR SHALL ALSO BE RESPONSIBLE FOR AVOIDING CONFLICTS BETWEEN OVERHEAD UTILITY LINES AND THE EQUIPMENT USED FOR EXCAVATING. SEE "STATUS OF UTILITIES" SHEET WITHIN THE SPECIAL PROVISIONS FOR ADDITIONAL INFORMATION REGARDING KNOWN UTILITY RELOCATIONS OR ADJUSTMENTS REQUIRED FOR THE PROPOSED CONSTRUCTION. THE CONTRACTOR'S ATTENTION IS DIRECTED TO THE SPECIAL PROVISION ENTITLED "COOPERATION WITH UTILITIES" AND ARTICLES 105.07 AND 107.39 OF THE STANDARD SPECIFICATIONS.
- PRIVATE UTILITY COMPANIES WILL BE MAKING ADJUSTMENTS OR RELOCATIONS TO THEIR FACILITIES DURING CONSTRUCTION OF THE ROADWAY IMPROVEMENTS. THE CONTRACTOR SHALL BE RESPONSIBLE FOR COORDINATING AND COOPERATING WITH THE UTILITY OWNERS WHILE THEY PERFORM THEIR WORK IN ACCORDANCE WITH ARTICLE 107.39 OF THE STANDARD SPECIFICATIONS. FOR UNDERGROUND UTILITY ADJUSTMENTS OR RELOCATIONS DURING CONSTRUCTION, THE CONTRACTOR SHALL BE RESPONSIBLE FOR REMOVING EXISTING PAVEMENTS, SIDEWALKS, AND CURBS AND GUTTERS WITHIN THE STAGE CONSTRUCTION LIMITS TO ALLOW ACCESS TO THE UTILITIES. THE UTILITY COMPANIES WILL BE RESPONSIBLE FOR EXCAVATING, MAKING ANY NECESSARY ADJUSTMENTS OR RELOCATIONS, AND BACK FILLING THEIR EXCAVATIONS. THE CONTRACTOR SHALL NOTIFY THE ENGINEER IMMEDIATELY IF THE UTILITY OWNERS ARE NOT RESPONSIVE TO PERFORMING THEIR WORK IN A TIMELY MANNER. ANY ASSOCIATED COSTS FOR THESE REQUIREMENTS OR FOR DELAYS IN THE PROJECT WILL NOT BE CONSIDERED FOR PAYMENT, AND NO ADDITIONAL COMPENSATION WILL BE ALLOWED.
- THE CONTRACTOR SHALL BE RESPONSIBLE FOR PROTECTING UTILITY PROPERTY FROM CONSTRUCTION OPERATIONS AS OUTLINED IN ARTICLE 107.39 OF THE STANDARD SPECIFICATIONS. THE JULIE NUMBER IS 800-892-0123. A MINIMUM OF 48 HOURS ADVANCE NOTICE IS REQUIRED.
- UTILITY OWNERS:
  - INDICATES J.U.L.I.E. MEMBER
  - URBANA CHAMPAIGN SANITARY DISTRICT
    - URBANA, ILLINOIS 61803 (217) 367-3409
  - AMEREN ILLINOIS
    - 1112 ANTHONY DRIVE URBANA, ILLINOIS 61801 (217) 383-7280
  - AT&T
    - 201 S. NEIL STREET CHAMPAIGN, ILLINOIS 61820 (217) 398-7990
  - CITY OF CHAMPAIGN
    - 702 EDGEBROOK DRIVE CHAMPAIGN, ILLINOIS 61820 (217) 403-4710
  - UNIVERSITY OF ILLINOIS, TECHNOLOGY SERVICES
    - 2434 DIGITAL COMPUTER LAB, MC-256 1304 W. SPRINGFIELD AVE. URBANA, IL 61801 (217) 333-0547
  - ILLINOIS AMERICAN WATER
    - 1406 CARDINAL CT. URBANA, ILLINOIS 61801 (217) 373-3258
  - COMCAST
    - 303 FAIRLAWN DRIVE URBANA, ILLINOIS 61801 (217) 384-2510
  - WINDSTREAM
    - 102 EAST SHAFER STREET FORSYTH, ILLINOIS 62535 (319) 790-1464
  - LIGHTCORE
    - 1151 CENTURY TEL DRIVE, BLDG A WENTZVILLE, MISSOURI 63385 (800) 604-6688
  - METRO COMMUNICATIONS
    - 8 S. WASHINGTON STREET, SUITE 200 SULLIVAN, ILLINOIS 61951 (217) 728-2827
  - ITV3/UC2B
    - 602 HIGH POINT LANE EAST PEORIA, ILLINOIS 61611 (309) 670-0400
  - CONXXUS
    - 607 S. STATE STREET JERSEYVILLE, ILLINOIS 62052 (618) 535-1081
  - GARGOYLE TECHNOLOGIES
    - 312 W. SPRINGFIELD AVENUE #200 URBANA, ILLINOIS 61801 (217) 367-8656
  - CITY OF URBANA (STREET LIGHTS, SIGNALS, STORM AND SANITARY SEWERS)
    - 706 S. GLOVER AVE. URBANA, ILLINOIS 61802 (217) 384-2342
  - PAVLOV MEDIA
    - 206 N. RANDOLPH ST. STE. 200 CHAMPAIGN, ILLINOIS 61820
- ANY DAMAGE TO THE UNDERGROUND FACILITIES CAUSED BY THE CONTRACTOR SHALL BE REPAIRED TO THE SATISFACTION OF THE UTILITY OWNER AT THE CONTRACTOR'S EXPENSE, INCLUDING TEMPORARY REPAIRS WHICH MAY BE REQUIRED TO KEEP THE FACILITY OPERATIONAL WHILE MATERIAL IS BEING OBTAINED TO MAKE PERMANENT REPAIRS. UTILITY ADJUSTMENTS SHALL BE MADE BY THE UTILITY COMPANIES UNLESS NOTED OTHERWISE.
- ALL UTILITY FACILITIES THAT REQUIRE RELOCATION WITHIN CITY/UNIVERSITY R.O.W. SHALL BE RELOCATED BY THE UTILITY COMPANY UNLESS OTHERWISE SHOWN IN THE PLANS.
- ABANDONED UNDERGROUND UTILITIES THAT CONFLICT WITH CONSTRUCTION SHALL BE REMOVED AND DISPOSED OUTSIDE THE LIMITS OF THE RIGHT OF WAY ACCORDING TO ARTICLE 202.03 OF THE STANDARD SPECIFICATIONS AND AS DIRECTED BY THE ENGINEER. THIS WORK WILL NOT BE PAID FOR SEPARATELY, BUT SHALL BE INCLUDED IN THE COST OF EARTH EXCAVATION, AND NO ADDITIONAL COMPENSATION WILL BE ALLOWED.
- MANY OF THE UNIVERSITY OF ILLINOIS UTILITIES AND STEAM TUNNELS ARE SHALLOW AND CARE MUST BE TAKEN AROUND THESE FACILITIES. ASSUMED DEPTHS LISTED BELOW ARE APPROXIMATE AND MAY BE MUCH LESS IN SOME LOCATIONS.
- THE LOCATIONS OF EXISTING UTILITIES SHOWN ON THE PLANS ARE BASED ON FIELD INVESTIGATION AND THE BEST INFORMATION AVAILABLE. THE CONTRACTOR SHALL OBTAIN EXACT UTILITY LOCATIONS FROM THE UTILITY COMPANIES AND BY FIELD INSPECTION. THE FOLLOWING STANDARD UTILITY DEPTHS WERE USED IF INFORMATION WAS UNAVAILABLE:

GAS - 2.5 FEET	SANITARY SEWER - 2.5 FEET
CABLE TV - 1.5 FEET	WATER - 4 FEET
ELECTRIC - 3 FEET	
- ALL ELECTRIC LINES WILL REMAIN ENERGIZED DURING CONSTRUCTION UNLESS OTHERWISE COORDINATED WITH THE UTILITY COMPANY.

© Copyright Hanson Professional Services Inc. 2016  
**HANSON**  
 Hanson Professional Services Inc.

LAYOUT	RLA	11/24/15
DRAWN	RLA	2/4/16
REVIEWED	MGD	3/22/16

FILE NAME = Z:\Plans\Sheets\Project1\1P1-sht-gennote01.dgn  
 PLOT DATE = 8/25/2016 1:23:48 PM

DESIGNED - RLA	REVISED -
DRAWN - RLA	REVISED -
CHECKED - MGD	REVISED -
DATE - 8/26/2016	REVISED -

STATE OF ILLINOIS  
 DEPARTMENT OF TRANSPORTATION

PROJECT 1 - GREEN STREET  
 GENERAL NOTES

SCALE: N/A SHEET NO. OF SHEETS STA. TO STA.

F.A.U. RTE.	SECTION	COUNTY	TOTAL SHEETS	SHEET NO.
7126	15-00304-01-PV	CHAMPAIGN	236	2
MCORE PROJECT 1		CONTRACT NO. 91539		
JOB NO. C-95-305-16 ILLINOIS FED. AID PROJECT TIG-5181057J				

**LEGEND**

EXISTING		PROPOSED
	INLET OR CATCH BASIN	
	MANHOLE	
	UTILITY WARNING SIGN	
	SERVICE BOX SHUTOFF	
	VALVE	
	WATER MANHOLE	
	WATER METER	
	FIRE HYDRANT	
	GAS METER	
	GAS REGULATOR	
	GAS VENT PIPE	
	ELECTRIC MANHOLE	
	ELECTRIC METER	
	ELECTRIC PEDESTAL	
	ELECTRIC JUNCTION BOX	
	POWER POLE	
	POWER POLE W/LIGHT	
	POWER POLE W/TRANSFORMER	
	ROADWAY LIGHTING CONTROLLER	
	ROADWAY STREET LIGHT	
	ORNAMENTAL STREET LIGHT	
	GUY POLE	
	GUY WIRE	
	TELEPHONE POLE	
	TELEPHONE MANHOLE MONUMENT	
	IRON PIN/PIPE FOUND	
	RIGHT-OF-WAY MARKER	
	SOIL BORING	
	PAVEMENT CORE	
	TRAFFIC SIGNAL CONTROL BOX	
	TRAFFIC SIGNAL POST	
	TRAFFIC SIGNAL MAST ARM	
	PEDESTRIAN PUSH BUTTON POST	
	TRAFFIC SIGNAL HANDHOLE	
	TRAFFIC SIGNAL JUNCTION BOX	
	STREET SIGN	
	TRAFFIC SIGN	
	DELINEATOR	
	PARKING LOT LIGHT	
	YARD LIGHT	
	MAILBOX	
	PARKING METER	
	IRRIGATION CONTROL BOX	
	IRRIGATION HEAD	
	TANK FILLER CAP	
	INSPECTION WELL	
	CLEANOUT	
	DOWNSPOUT	
	BOLLARD	
	FENCE POST	
	GATE POST	
	FLAG POLE	
	FLOOD LIGHT	
	TREE STUMP	
	BUSH	
	CONIFEROUS TREE	
	DECIDUOUS TREE	
	SHADE TREE	

**LEGEND**

EXISTING		PROPOSED
W	WATER LINE	W16"
IRRW	IRRIGATION WATER LINE	
G	GAS LINE	
(U)IG6"	U OF I GAS LINE	
OHE	OVERHEAD ELECTRIC	
UGE	UNDERGROUND ELECTRIC	
OHT	OVERHEAD TELEPHONE	
UGT	UNDERGROUND TELEPHONE	
UGT(FO)	UNDERGROUND TELEPHONE (FIBER OPTIC)	
CATV	CABLE TELEVISION	
COM	COMMUNICATION LINE	
FO	FIBER OPTIC LINE	
STM	STEAM LINE	
CWR	CHILLED WATER RETURN	
CWS	CHILLED WATER SUPPLY	
AIR	COMPRESSED AIR	
FM	FORCE MAIN	
SANITARY SEWER	SANITARY SEWER	
STORM SEWER	STORM SEWER	
STORM SEWER WATER MAIN QUALITY	STORM SEWER WATER MAIN QUALITY	
PIPE UNDERDRAIN	PIPE UNDERDRAIN	

**ILLINOIS HIGHWAY STANDARD DRAWINGS**

STANDARD NO.	DESCRIPTION
000001-06	STANDARDS SYMBOLS, ABBREVIATIONS AND PATTERNS
280001-07	TEMPORARY EROSION CONTROL SYSTEMS
420001-08	PAVEMENT JOINTS
420101-05	24' JOINTED PCC PAVEMENT
420106-05	36' JOINTED PCC PAVEMENT
420111-03	PCC PAVEMENT ROUNDOUTS
424001-08	PERPENDICULAR CURB RAMPS FOR SIDEWALKS
424011-02	CORNER PARALLEL CURB RAMPS FOR SIDEWALKS
424016-02	MID-BLOCK CURB RAMPS FOR SIDEWALKS
424021-03	DEPRESSED CORNER FOR SIDEWALKS
424026-01	ENTRANCE/ALLEY PEDESTRIAN CROSSINGS
424031-01	MEDIAN PEDESTRIAN CROSSINGS
442101-07	CLASS B PATCHES
601001-05	PIPE UNDERDRAINS
602301-04	INLET, TYPE A
602306-03	INLET, TYPE B
602401-03	MANHOLE, TYPE A
602406-07	MANHOLE, TYPE A, 6' DIAMETER
602411-05	MANHOLE, TYPE A, 7' DIAMETER
602601-04	PRECAST REINFORCED CONCRETE FLAT SLAB TOP
604001-04	FRAME AND LIDS, TYPE 1
604006-05	FRAME AND GRATE, TYPE 3
604011-05	FRAME AND GRATE, TYPE 3V
604036-03	GRATE, TYPE 8
604051-04	FRAME AND GRATE, TYPE 11
606001-06	CONCRETE CURB TYPE B AND COMBINATION CONCRETE CURB AND GUTTER
606301-04	PC CONCRETE ISLANDS AND MEDIANS
668001-01	U.S. GEOLOGICAL SURVEY AND NATIONAL GEODETIC SURVEY BENCHMARKS RESETTING METHOD
701006-05	OFF-ROAD OPERATIONS, 2L, 2W, 15' TO 24" FROM PAVEMENT EDGE
701301-04	LANE CLOSURE, 2L, 2W, SHORT TIME OPERATIONS
701311-03	LANE CLOSURE, 2L, 2W, MOVING OPERATIONS - DAY ONLY
701501-06	URBAN LANE CLOSURE, 2L, 2W, UNDIVIDED
701502-06	URBAN LANE CLOSURE, 2L, 2W, WITH BIDIRECTIONAL LEFT TURN LANE
701602-07	URBAN LANE CLOSURE, MULTILANE, 2W WITH BIDIRECTIONAL LEFT TURN LANE
701611-01	URBAN HALF ROAD CLOSURE, MULTILANE, 2W WITH MOUNTABLE MEDIAN
701701-10	URBAN LANE CLOSURE, MULTILANE INTERSECTION
701801-06	SIDEWALK, CORNER OR CROSSWALK CLOSURE
701901-05	TRAFFIC CONTROL DEVICES
720001-01	SIGN PANEL MOUNTING DETAILS
720006-04	SIGN PANEL ERECTION DETAILS
720011-01	METAL POSTS FOR SIGNS, MARKERS AND DELINEATORS
729001-01	APPLICATIONS OF TYPES A AND B METAL POSTS (FOR SIGNS & MARKERS)
780001-05	TYPICAL PAVEMENT MARKINGS
814001-03	HANDHOLES
814006-02	DOUBLE HANDHOLES
8360021-02	LIGHT POLE FOUNDATIONS
857001-01	STANDARD PHASE DESIGNATION DIAGRAMS AND PHASE SEQUENCES
862001-01	UNINTERRUPTIBLE POWER SUPPLY (UPS)
873001-02	TRAFFIC SIGNAL GROUNDING AND BONDING
877011-07	STEEL COMBINATION MAST ARM ASSEMBLY AND POLE 16' THROUGH 55'
878001-10	CONCRETE FOUNDATION DETAILS
880006-01	TRAFFIC SIGNAL MOUNTING DETAILS

**DISTRICT 5 STANDARD DRAWINGS**

STANDARD NO.	DESCRIPTION
70200000	TRAFFIC CONTROL & PROTECTION DEVICES (ROAD & SIDE ROAD CLOSURES)
70200100	DISABLED PARKING
7800AAAA	PAVEMENT MARKING AND MARKERS (RURAL & URBAN APPLICATIONS)

**DISTRICT 5 GENERAL NOTES**

- 100 ENGLISH UNITS OF MEASUREMENT SHALL GOVERN OVER AND SUPERSEDE ANY METRIC UNITS SHOWN IN THIS CONTRACT. WHERE INCLUDED, METRIC UNITS ARE FOR INFORMATION ONLY.
- 202 GRADING SHALL BE DONE BY HAND AROUND LIGHT POLES, UTILITY POLES, SIGN POSTS, SHRUBS, TREES OR OTHER NATURAL OR MAN-MADE OBJECTS WHERE SHALLOW FILLS OR CUTS ARE ADJACENT TO THE ITEMS. IT IS THE INTENT THAT THE LIMITS OF CONSTRUCTION BE SUCH AS TO PRESERVE IN THE ORIGINAL STATE AS MUCH AREA OF TEMPORARY EASEMENTS AS POSSIBLE. THE DECISION AS TO ITEMS TO REMAIN IN PLACE SHALL BE AS DIRECTED BY THE ENGINEER.
- THIS WORK WILL NOT BE PAID FOR SEPARATELY, BUT SHALL BE CONSIDERED INCLUDED IN THE CONTRACT UNIT PRICE PER CUBIC YARD FOR EARTH EXCAVATION AND NO ADDITIONAL COMPENSATION WILL BE ALLOWED.
- 406 THE QUANTITIES INCLUDED IN THE PLANS FOR HOT-MIX ASPHALT RESURFACING ARE INTENDED TO GIVE THE COVERAGE SHOWN ON THE TYPICAL CROSS SECTIONS. IT IS NOT INTENDED TO INCREASE THE THICKNESS OF THE HOT-MIX ASPHALT MIXTURE IN ORDER TO USE ALL OF THE QUANTITIES INCLUDED IN THE CONTRACT.

406H

BITUMINOUS MIXTURE REQUIREMENTS				
THE FOLLOWING MIXTURE REQUIREMENTS ARE APPLICABLE FOR THIS PROJECT:				
LOCATIONS	GREEN STREET/ LINCOLN AVENUE	GREEN STREET	GREEN STREET/ LINCOLN AVENUE	VARIOUS
MIXTURE USE(S):	LEVEL BINDER	BINDER COURSE	SURFACE COURSE	INCIDENTAL HOT-MIX ASPHALT
PG:	SBS-PG 70-22	SBS-PG 70-22	SBS-PG 70-22	PG 64-22
DESIGN AIR VOIDS:	4.0% @ NDESIGN=70	4.0% @ NDESIGN=70	4.0% @ NDESIGN=70	4.0% @ NDESIGN=50
MIXTURE COMPOSITION: (GRADATION MIXTURE)	IL 9.5 FG	IL 19.0	IL 9.5	IL 9.5
FRICTION AGGREGATE:	N/A	N/A	MIXTURE D	MIXTURE C
MIXTURE WEIGHT:	112 LB/SQ YD/IN	112 LB/SQ YD/IN	112 LB/SQ YD/IN	112 LB/SQ YD/IN
QUALITY MANAGEMENT PROGRAM:	QC/OA	QC/OA	QC/OA	QC/OA
SUBLOT SIZE:	N/A	N/A	N/A	N/A

**MINIMUM MIXTURE REQUIREMENT NOTES**

THE MIXTURE REQUIREMENTS SET FORTH IN THE TABLE ABOVE ARE MINIMUM MIXTURE REQUIREMENTS. THE CONTRACTOR MAY SUBSTITUTE HIGHER FRICTION AGGREGATE HMA MIXTURES FOR A LOWER FRICTION AGGREGATE HMA MIXTURE AT THE CONTRACT UNIT PRICE FOR THE LOWER FRICTION AGGREGATE HMA MIXTURE. THE CONTRACTOR MAY SUBSTITUTE HIGHER DESIGN AIR VOIDS HMA MIXTURES FOR A LOWER DESIGN AIR VOIDS HMA MIXTURE AT THE CONTRACT UNIT PRICE OF THE LOWER DESIGN AIR VOIDS HMA MIXTURE.

- 440C THE MACHINE USED FOR HOT-MIX ASPHALT SURFACE REMOVAL ON THE THROUGH TRAFFIC LANES ON THIS JOB SHALL BE CAPABLE OF REMOVING A LAYER OF BITUMINOUS MATERIAL AT LEAST 10 FT. IN WIDTH AND 1 1/2 INCHES IN DEPTH IN A SINGLE PASS.
- 442B THE PATCHING SCHEDULES INCLUDED IN THE PLANS REPRESENT THE BEST INFORMATION AVAILABLE AT THE TIME OF COMPLETION OF THE PLANS FOR LETTING. VARIATIONS IN LOCATION AND SIZES OF BOTH FULL-DEPTH AND PARTIAL-DEPTH PATCHES MAY OCCUR.

**COMMITMENTS**

- A. THE PRELIMINARY SITE INVESTIGATIONS (PSI) WILL BE COMPLETED BEFORE THE PROJECT IS INCLUDED ON A LETTING. PSI REPORT IS AVAILABLE FROM THE CITY OF CHAMPAIGN.
- B. SPECIAL CONDITIONS FOR ACCESS TO PROPERTIES DURING CONSTRUCTION WILL BE INCLUDED IN THE CONSTRUCTION DOCUMENTS. PROVISIONS WILL BE INCLUDED TO REQUIRE COMMUNICATIONS WITH PROPERTY OWNERS THROUGHOUT THE CONSTRUCTION PROCESS. MAIL DELIVERY IS DONE BY CARRIER AND PEDESTRIAN ACCESS WILL BE MAINTAINED THROUGHOUT THE PROJECT.
- C. FINAL CHAMPAIGN-URBANA MASS TRANSIT DISTRICT (CUMTD) ROUTE DETOURS WILL BE DETERMINED BEFORE THE PROJECT IS INCLUDED ON A LETTING.
- D. THE TEMPORARY EASEMENTS FOR 809 W. GREEN STREET AND 810 W. GREEN STREET ARE AVAILABLE FROM APRIL 1, 2017 TO MARCH 31, 2018 AND ONCE WORK BEGINS ON EACH PROPERTY IT MUST BE COMPLETED 120 DAYS THEREAFTER.

© Copyright Hanson Professional Services Inc. 2016  
**HANSON**  
 Hanson Professional Services Inc.

LAYOUT	RLA	11/24/15
DRAWN	RLA	8/24/16
REVIEWED	MGD	8/25/16

FILE NAME = Z:\Plans\Sheets\Project1\P1-sht-gennote02.dgn  
 PLOT DATE = 8/25/2016 1:23:56 PM

DESIGNED - RLA	REVISED -
DRAWN - RLA	REVISED -
CHECKED - MGD	REVISED -
DATE - 8/26/2016	REVISED -

STATE OF ILLINOIS  
 DEPARTMENT OF TRANSPORTATION

PROJECT 1 - GREEN STREET  
 HIGHWAY STANDARDS AND LEGEND

F.A.U. RTE.	SECTION	COUNTY	TOTAL SHEETS	SHEET NO.
7126	15-00304-01-PV	CHAMPAIGN	236	3
MCORE PROJECT 1			CONTRACT NO. 91539	
JOB NO. C-95-305-16   ILLINOIS FED. AID PROJECT TIG-51810571				

SCALE: N/A SHEET NO. OF SHEETS STA. TO STA.

# SUMMARY OF QUANTITIES

ITEM NUMBER	ITEM	CONSTRUCTION CODE		0004	0021	0021	0031	0042	0043	0043
		UNIT	TOTAL QUANTITY	ROADWAY QUANTITY	SIGNAL QUANTITY	LIGHTING QUANTITY	LANDSCAPING QUANTITY	TRAINES QUANTITY	SANITARY QUANTITY	WATER MAIN QUANTITY (100% LAW)
20100110	TREE REMOVAL (6 TO 15 UNITS DIAMETER)	UNIT	50	50						
20100210	TREE REMOVAL (OVER 15 UNITS DIAMETER)	UNIT	508	508						
20101000	TEMPORARY FENCE	FOOT	3,679				3,679			
* 20101400	NITROGEN FERTILIZER NUTRIENT	POUND	86				86			
* 20101500	PHOSPHORUS FERTILIZER NUTRIENT	POUND	86				86			
* 20101600	POTASSIUM FERTILIZER NUTRIENT	POUND	86				86			
20200100	EARTH EXCAVATION	CU YD	8,245	8,245						
20201200	REMOVAL AND DISPOSAL OF UNSUITABLE MATERIAL	CU YD	789	789						
20600110	GRANULAR EMBANKMENT, SPECIAL	TON	1,616	1,616						
20800150	TRENCH BACKFILL	CU YD	691	691						
21001000	GEOTECHNICAL FABRIC FOR GROUND STABILIZATION	SQ YD	2,367	2,367						
21101615	TOPSOIL FURNISH AND PLACE, 4"	SQ YD	6,289				6,289			
21101685	TOPSOIL FURNISH AND PLACE, 24"	SQ YD	665				665			
* 25200110	SODDING, SALT TOLERANT	SQ YD	6,958				6,958			
* 25200200	SUPPLEMENTAL WATERING	UNIT	70				70			
28000250	TEMPORARY EROSION CONTROL SEEDING	POUND	144	144						
28000400	PERIMETER EROSION BARRIER	FOOT	633	633						
28000510	INLET FILTERS	EACH	95	95						
35100300	AGGREGATE BASE COURSE, TYPE A 4"	SQ YD	955	955						
35100500	AGGREGATE BASE COURSE, TYPE A 6"	SQ YD	5,863	5,863						
35101100	AGGREGATE BASE COURSE, TYPE A 12"	SQ YD	12,042	12,042						
35300700	PORTLAND CEMENT CONCRETE BASE COURSE 12"	SQ YD	161	161						
35400520	PORTLAND CEMENT CONCRETE BASE COURSE WIDENING 12"	SQ YD	1,357	1,357						
40201000	AGGREGATE FOR TEMPORARY ACCESS	TON	382	382						
40600295	POLYMERIZED BITUMINOUS MATERIALS (TACK COAT)	POUND	6,688	6,688						
40600839	POLYMERIZED LEVELING BINDER (MACHINE METHOD), IL-9.5FG, N70	TON	510	510						
40600982	HOT-MIX ASPHALT SURFACE REMOVAL - BUTT JOINT	SQ YD	274	274						
40603235	POLYMERIZED HOT-MIX ASPHALT BINDER COURSE, IL-19.0, N70	TON	927	927						
40603540	POLYMERIZED HOT-MIX ASPHALT SURFACE COURSE, MIX "D", N70	TON	642	642						
40800050	INCIDENTAL HOT-MIX ASPHALT SURFACING	TON	100	100						
42000101	PORTLAND CEMENT CONCRETE PAVEMENT 6" (JOINTED)	SQ YD	2,869	2,869						
42000301	PORTLAND CEMENT CONCRETE PAVEMENT 8" (JOINTED)	SQ YD	2,564	2,564						
42000511	PORTLAND CEMENT CONCRETE PAVEMENT 10 1/2" (JOINTED)	SQ YD	8,373	8,373						
42001300	PROTECTIVE COAT	SQ YD	15,723	15,723						
42300400	PORTLAND CEMENT CONCRETE DRIVEWAY PAVEMENT, 8 INCH	SQ YD	1,880	1,880						
42400300	PORTLAND CEMENT CONCRETE SIDEWALK 6 INCH	SQ FT	35,383	35,383						
42400410	PORTLAND CEMENT CONCRETE SIDEWALK 8 INCH	SQ FT	29,005	29,005						
42400800	DETECTABLE WARNINGS	SQ FT	3,163	3,163						
44000100	PAVEMENT REMOVAL	SQ YD	15,256	15,256						
44000151	HOT-MIX ASPHALT SURFACE REMOVAL, 1/2"	SQ YD	6,023	6,023						
44000200	DRIVEWAY PAVEMENT REMOVAL	SQ YD	1,144	1,144						

\* SPECIALTY ITEM



LAYOUT	11/24/15
BAR	8/24/16
REVISION	8/25/16
REVIEWED	MGD

FILE NAME = Z:\Plans\Sheets\Project1\P1-sht-soq01.dgn  
 PLOT DATE = 8/25/2016 4:29:09 PM

DESIGNED - BAB	REVISED -
DRAWN - RLA	REVISED -
CHECKED - MGD	REVISED -
DATE - 8/26/2016	REVISED -

STATE OF ILLINOIS  
DEPARTMENT OF TRANSPORTATION

PROJECT 1 - GREEN STREET  
SUMMARY OF QUANTITIES

SCALE: N/A SHEET NO. OF SHEETS STA. TO STA.

F.A.U. RTE.	SECTION	COUNTY	TOTAL SHEETS	SHEET NO.
7126	15-00304-01-PV	CHAMPAIGN	236	4
MCCORE PROJECT 1			CONTRACT NO. 91539	
JOB NO. C-95-305-16 ILLINOIS FED. AID PROJECT TIG-51810571				

# SUMMARY OF QUANTITIES

ITEM NUMBER	ITEM	UNIT	CONSTRUCTION CODE								
			TOTAL QUANTITY	0004 ROADWAY QUANTITY	0021 SIGNAL QUANTITY	0021 LIGHTING QUANTITY	0031 LANDSCAPING QUANTITY	0042 TRAINEES QUANTITY	0043 SANITARY QUANTITY	0043 WATER MAIN QUANTITY (100% ILAW)	
44000300	CURB REMOVAL	FOOT	42	42							
44000500	COMBINATION CURB AND GUTTER REMOVAL	FOOT	10,885	10,885							
44000600	SIDEWALK REMOVAL	SQ FT	72,697	72,697							
44003100	MEDIAN REMOVAL	SQ FT	4,705	4,705							
44200994	CLASS B PATCHES, TYPE II, 12 INCH	SQ YD	248	248							
44200998	CLASS B PATCHES, TYPE III, 12 INCH	SQ YD	439	439							
44201000	CLASS B PATCHES, TYPE IV, 12 INCH	SQ YD	493	125							368
44201696	CLASS D PATCHES, TYPE IV, 4 INCH	SQ YD	327								327
44201723	CLASS D PATCHES, TYPE IV, 6 INCH	SQ YD	1,175								1,175
44400100	FIBER GLASS FABRIC REPAIR SYSTEM	SQ YD	7,362	7,362							
* 50900805	PEDESTRIAN RAILING	FOOT	866	866							
* 50901760	PIPE HANDRAIL	FOOT	93	93							
550A0050	STORM SEWERS, CLASS A, TYPE 1 12"	FOOT	1,337	1,337							
550A0070	STORM SEWERS, CLASS A, TYPE 1 15"	FOOT	32	32							
550A0090	STORM SEWERS, CLASS A, TYPE 1 18"	FOOT	98	98							
550A0340	STORM SEWERS, CLASS A, TYPE 2 12"	FOOT	72	72							
550A0360	STORM SEWERS, CLASS A, TYPE 2 15"	FOOT	5	5							
55100300	STORM SEWER REMOVAL 8"	FOOT	3	3							
55100400	STORM SEWER REMOVAL 10"	FOOT	212	212							
55100500	STORM SEWER REMOVAL 12"	FOOT	686	686							
55100700	STORM SEWER REMOVAL 15"	FOOT	176	176							
* 56103300	DUCTILE IRON WATER MAIN 12"	FOOT	1,021								1,021
* 56104600	WATER VALVES 2"	EACH	2								2
* 56104900	WATER VALVES 6"	EACH	7								7
* 56105200	WATER VALVES 12"	EACH	6								6
* 56108800	TAPPING VALVES AND SLEEVES 6"	EACH	1								1
* 56109100	TAPPING VALVES AND SLEEVES 12"	EACH	1								1
* 56200700	WATER SERVICE LINE 2"	FOOT	20								20
* 56201800	CORPORATION STOPS 2"	EACH	2								2
* 56400500	FIRE HYDRANTS TO BE REMOVED	EACH	4								4
* 56400600	FIRE HYDRANTS	EACH	4								4
* 59300100	CONTROLLED LOW-STRENGTH MATERIAL	CU YD	1,434								1,434
60108106	PIPE UNDERDRAINS, TYPE 1, 6"	FOOT	4,175	4,175							
60218400	MANHOLES, TYPE A, 4'-DIAMETER, TYPE 1 FRAME, CLOSED LID	EACH	5	5							
60218500	MANHOLES, TYPE A, 4'-DIAMETER, TYPE 3 FRAME AND GRATE	EACH	1	1							
60219300	MANHOLES, TYPE A, 4'-DIAMETER, TYPE 11 FRAME AND GRATE	EACH	2	2							
60221100	MANHOLES, TYPE A, 5'-DIAMETER, TYPE 1 FRAME, CLOSED LID	EACH	1	1							
60234200	INLETS, TYPE A, TYPE 1 FRAME, OPEN LID	EACH	2	2							
60240215	INLETS, TYPE B, TYPE 1 FRAME, CLOSED LID	EACH	1	1							
60240220	INLETS, TYPE B, TYPE 3 FRAME AND GRATE	EACH	4	4							
60240310	INLETS, TYPE B, TYPE 11 FRAME AND GRATE	EACH	17	17							

\* SPECIALTY ITEM



© Copyright Hanson Professional Services Inc. 2016

LAYOUT	BAB	11/24/15
DRAWN	RLA	8/24/16
REVIEWED	MGD	8/25/16

FILE NAME = Z:\Plans\sheets\Project1\P1-sht-soq02.dgn  
 PLOT DATE = 8/25/2016 4:29:15 PM

DESIGNED -	BAB	REVISED -	
DRAWN -	RLA	REVISED -	
CHECKED -	MGD	REVISED -	
DATE -	8/26/2016	REVISED -	

STATE OF ILLINOIS  
DEPARTMENT OF TRANSPORTATION

**PROJECT 1 - GREEN STREET  
SUMMARY OF QUANTITIES**

SCALE: N/A SHEET NO. OF SHEETS STA. TO STA.

F.A.U. RTE. 7126	SECTION 15-00304-01-PV	COUNTY CHAMPAIGN	TOTAL SHEETS 236	SHEET NO. 5
MCORE PROJECT 1			CONTRACT NO. 91539	
JOB NO. C-95-305-16 ILLINOIS FED. AID PROJECT TIG-5181(057)				

# SUMMARY OF QUANTITIES

ITEM NUMBER	ITEM	CONSTRUCTION CODE	UNIT	TOTAL QUANTITY	0004	0021	0021	0031	0042	0043	0043
					ROADWAY QUANTITY	SIGNAL QUANTITY	LIGHTING QUANTITY	LANDSCAPING QUANTITY	TRAINEES QUANTITY	SANITARY QUANTITY	WATER MAIN QUANTITY (100% ILAW)
60255500	MANHOLES TO BE ADJUSTED		EACH	48	48						
60255800	MANHOLES TO BE ADJUSTED WITH NEW TYPE 1 FRAME, CLOSED LID		EACH	3	3						
60258200	MANHOLES TO BE RECONSTRUCTED WITH NEW TYPE 1 FRAME, CLOSED LID		EACH	1	1						
60259100	MANHOLES TO BE RECONSTRUCTED WITH NEW TYPE 11 FRAME AND GRATE		EACH	1	1						
60261300	INLETS TO BE ADJUSTED WITH NEW TYPE 11 FRAME AND GRATE		EACH	1	1						
60266600	VALVE BOXES TO BE ADJUSTED		EACH	32	32						
60500040	REMOVING MANHOLES		EACH	7	7						
60500060	REMOVING INLETS		EACH	29	29						
60600605	CONCRETE CURB, TYPE B		FOOT	212	212						
60603800	COMBINATION CONCRETE CURB AND GUTTER, TYPE B-6.12		FOOT	3,985	3,985						
60604400	COMBINATION CONCRETE CURB AND GUTTER, TYPE B-6.18		FOOT	618	618						
60619600	CONCRETE MEDIAN, TYPE SB-6.12		SQ FT	610	610						
* 66900200	NON-SPECIAL WASTE DISPOSAL		CU YD	30	30						
* 66900450	SPECIAL WASTE PLANS AND REPORTS		LSUM	1	1						
* 66900530	SOIL DISPOSAL ANALYSIS		EACH	1	1						
67100100	MOBILIZATION		LSUM	1.0	0.9						0.1
70300150	SHORT TERM PAVEMENT MARKING REMOVAL		SQ FT	1,600	1,600						
70300220	TEMPORARY PAVEMENT MARKING - LINE 4"		FOOT	1,200	1,200						
70300510	PAVEMENT MARKING TAPE, TYPE III - LETTERS AND SYMBOLS		SQ FT	100	100						
70300520	PAVEMENT MARKING TAPE, TYPE III 4"		FOOT	3,100	3,100						
70300570	PAVEMENT MARKING TAPE, TYPE III 24"		FOOT	200	200						
72000100	SIGN PANEL - TYPE 1		SQ FT	362.75	301.75	61.00					
72000200	SIGN PANEL - TYPE 2		SQ FT	35.00		35.00					
72800100	TELESCOPING STEEL SIGN SUPPORT		FOOT	703.50	703.50						
* 78006100	PREFORMED THERMOPLASTIC PAVEMENT MARKING - LETTERS AND SYMBOLS		SQ FT	2,716	2,716						
* 78009000	MODIFIED URETHANE PAVEMENT MARKING - LETTERS AND SYMBOLS		SQ FT	524	524						
* 78009004	MODIFIED URETHANE PAVEMENT MARKING - LINE 4"		FOOT	9,341	9,341						
* 78009006	MODIFIED URETHANE PAVEMENT MARKING - LINE 6"		FOOT	3,276	3,276						
* 78009012	MODIFIED URETHANE PAVEMENT MARKING - LINE 12"		FOOT	2,064	2,064						
* 78009024	MODIFIED URETHANE PAVEMENT MARKING - LINE 24"		FOOT	487	487						
* 81028350	UNDERGROUND CONDUIT, PVC, 2" DIA.		FOOT	10,227	130	59	10,038				
* 81028370	UNDERGROUND CONDUIT, PVC, 3" DIA.		FOOT	33		33					
* 81028390	UNDERGROUND CONDUIT, PVC, 4" DIA.		FOOT	465		465					
* 81028400	UNDERGROUND CONDUIT, PVC, 5" DIA.		FOOT	9			9				
* 81400700	HANDHOLE, PORTLAND CEMENT CONCRETE		EACH	7		6	1				
* 81500120	GULFBOX JUNCTION, COMPOSITE CONCRETE		EACH	1			1				
* 81702110	ELECTRIC CABLE IN CONDUIT, 600V (XLP-TYPE USE) 1/C NO. 10		FOOT	2,980		2,825	155				
* 81702120	ELECTRIC CABLE IN CONDUIT, 600V (XLP-TYPE USE) 1/C NO. 8		FOOT	3,786			3,786				
* 81702130	ELECTRIC CABLE IN CONDUIT, 600V (XLP-TYPE USE) 1/C NO. 6		FOOT	1,861			1,861				
* 81702140	ELECTRIC CABLE IN CONDUIT, 600V (XLP-TYPE USE) 1/C NO. 4		FOOT	20,208			20,208				
* 81702155	ELECTRIC CABLE IN CONDUIT, 600V (XLP-TYPE USE) 1/C NO. 1		FOOT	2,070			2,070				

\* SPECIALTY ITEM



LAYOUT	BAB	11/24/15
DRAWN	RLA	8/24/16
REVIEWED	MGD	8/25/16

FILE NAME = Z:\Plans\Sheets\Project1\P1-sht-soq03.dgn  
 PLOT DATE = 8/25/2016 4:29:21 PM

DESIGNED -	BAB	REVISED -	
DRAWN -	RLA	REVISED -	
CHECKED -	MGD	REVISED -	
DATE -	8/26/2016	REVISED -	

STATE OF ILLINOIS  
DEPARTMENT OF TRANSPORTATION

PROJECT 1 - GREEN STREET  
SUMMARY OF QUANTITIES

SCALE: N/A SHEET NO. OF SHEETS STA. TO STA.

F.A.U. RTE.	SECTION	COUNTY	TOTAL SHEETS	SHEET NO.
7126	15-00304-01-PV	CHAMPAIGN	236	6
MCORE PROJECT 1			CONTRACT NO. 91539	
JOB NO. C-95-305-16 ILLINOIS FED. AID PROJECT T1G-S181057				

# SUMMARY OF QUANTITIES

ITEM NUMBER	ITEM	CONSTRUCTION CODE		0004	0021	0021	0031	0042	0043	0043
		UNIT	TOTAL QUANTITY	ROADWAY QUANTITY	SIGNAL QUANTITY	LIGHTING QUANTITY	LANDSCAPING QUANTITY	TRAINEES QUANTITY	SANITARY QUANTITY	WATER MAIN QUANTITY (100% IAW)
* 83000400	LIGHT POLE, ALUMINUM, 30 FT. M.H., 10 FT. DAVIT ARM	EACH	39			39				
* 83600200	LIGHT POLE FOUNDATION, 24" DIAMETER	FOOT	168			168				
* 84200500	REMOVAL OF LIGHTING UNIT, SALVAGE	EACH	1			1				
* 84200600	REMOVAL OF LIGHTING UNIT, NO SALVAGE	EACH	27			27				
* 84200804	REMOVAL OF POLE FOUNDATION	EACH	30			30				
* 84400105	RELOCATE EXISTING LIGHTING UNIT	EACH	5			5				
* 84500110	REMOVAL OF LIGHTING CONTROLLER	EACH	1			1				
* 84500120	REMOVAL OF ELECTRIC SERVICE INSTALLATION	EACH	1			1				
* 85000200	MAINTENANCE OF EXISTING TRAFFIC SIGNAL INSTALLATION	EACH	1		1					
* 85700200	FULL-ACTUATED CONTROLLER AND TYPE IV CABINET	EACH	1		1					
* 86200200	UNINTERRUPTABLE POWER SUPPLY, STANDARD	EACH	1		1					
* 87301215	ELECTRIC CABLE IN CONDUIT, SIGNAL NO. 14 2C	FOOT	2,527		2,527					
* 87301225	ELECTRIC CABLE IN CONDUIT, SIGNAL NO. 14 3C	FOOT	1,792		1,792					
* 87301245	ELECTRIC CABLE IN CONDUIT, SIGNAL NO. 14 5C	FOOT	3,742		3,742					
* 87301255	ELECTRIC CABLE IN CONDUIT, SIGNAL NO. 14 7C	FOOT	2,098		2,098					
* 87301705	ELECTRIC CABLE IN CONDUIT, COMMUNICATION NO. 18 3 PAIR	FOOT	1,113		1,113					
* 87301900	ELECTRIC CABLE IN CONDUIT, EQUIPMENT GROUNDING CONDUCTOR, NO. 6 1C	FOOT	818		818					
* 87502680	TRAFFIC SIGNAL POST, ALUMINUM 14 FT.	EACH	4		4					
* 87600200	PEDESTRIAN PUSH-BUTTON POST, TYPE II	EACH	1		1					
* 87702920	STEEL COMBINATION MAST ARM ASSEMBLY AND POLE 38 FT.	EACH	2		2					
* 87702930	STEEL COMBINATION MAST ARM ASSEMBLY AND POLE 40 FT.	EACH	2		2					
* 87702960	STEEL COMBINATION MAST ARM ASSEMBLY AND POLE 46 FT.	EACH	1		1					
* 87800100	CONCRETE FOUNDATION, TYPE A	FOOT	12		12					
* 87800150	CONCRETE FOUNDATION, TYPE C	FOOT	3.5		3.5					
* 87800400	CONCRETE FOUNDATION, TYPE E 30-INCH DIAMETER	FOOT	28		28					
* 87800415	CONCRETE FOUNDATION, TYPE E 36-INCH DIAMETER	FOOT	39		39					
* 88040070	SIGNAL HEAD, POLYCARBONATE, LED, 1-FACE, 3-SECTION, BRACKET MOUNTED	EACH	5		5					
* 88040090	SIGNAL HEAD, POLYCARBONATE, LED, 1-FACE, 3-SECTION, MAST ARM MOUNTED	EACH	13		13					
* 88040150	SIGNAL HEAD, POLYCARBONATE, LED, 1-FACE, 5-SECTION, BRACKET MOUNTED	EACH	5		5					
* 88040160	SIGNAL HEAD, POLYCARBONATE, LED, 1-FACE, 5-SECTION, MAST ARM MOUNTED	EACH	5		5					
* 88102825	PEDESTRIAN SIGNAL HEAD, POLYCARBONATE, LED, 1-FACE, BRACKET MOUNTED WITH COUNT DOWN TIMER	EACH	10		10					
* 88200100	TRAFFIC SIGNAL BACKPLATE	EACH	28		28					
* 88700090	CONFIRMATION BEACON	EACH	5		5					
* 88700200	LIGHT DETECTOR	EACH	5		5					
* 88700300	LIGHT DETECTOR AMPLIFIER	EACH	5		5					
* 89500100	RELOCATE EXISTING SIGNAL HEAD	EACH	2		2					
* 89500300	RELOCATE EXISTING ILLUMINATED SIGN	EACH	1		1					
* 89502200	MODIFY EXISTING CONTROLLER	EACH	1		1					
* 89502375	REMOVE EXISTING TRAFFIC SIGNAL EQUIPMENT	EACH	3		3					
* 89502380	REMOVE EXISTING HANDHOLE	EACH	4	4						
* 89502385	REMOVE EXISTING CONCRETE FOUNDATION	EACH	2	2						

\* SPECIALTY ITEM



© Copyright Hanson Professional Services Inc. 2016

LAYOUT	BAB	11/24/15
DRAWN	RLA	8/24/16
REVIEWED	MGD	8/25/16

FILE NAME = Z:\Plans\sheets\Project1\P1-sht-soq04.dgn  
 PLOT DATE = 8/25/2016 4:29:29 PM

DESIGNED -	BAB	REVISED -	
DRAWN -	RLA	REVISED -	
CHECKED -	MGD	REVISED -	
DATE -	8/26/2016	REVISED -	

STATE OF ILLINOIS  
DEPARTMENT OF TRANSPORTATION

PROJECT 1 - GREEN STREET  
SUMMARY OF QUANTITIES

SCALE: N/A SHEET NO. OF SHEETS STA. TO STA.

F.A.U. RTE.	SECTION	COUNTY	TOTAL SHEETS	SHEET NO.
7126	15-00304-01-PV	CHAMPAIGN	236	7
MCORE PROJECT 1		CONTRACT NO. 91539		
JOB NO. C-95-305-16 ILLINOIS FED. AID PROJECT TIG-5181(057)				

# SUMMARY OF QUANTITIES

ITEM NUMBER	ITEM	CONSTRUCTION CODE		0004	0021	0021	0031	0042	0043	0043
		UNIT	TOTAL QUANTITY	ROADWAY QUANTITY	SIGNAL QUANTITY	LIGHTING QUANTITY	LANDSCAPING QUANTITY	TRAINEES QUANTITY	SANITARY QUANTITY	WATER MAIN QUANTITY (100% LAW)
* A2001722	TREE, ACER SACCHARUM BAILSTA (FALL FIESTA MAPLE), 3" CALIPER, BALLED AND BURLAPPED	EACH	5				5			
* A2002924	TREE, CELTIS OCCIDENTALIS (COMMON HACKBERRY), 3" CALIPER, BALLED AND BURLAPPED	EACH	4				4			
* A2006524	TREE, QUERCUS BICOLOR (SWAMP WHITE OAK), 3" CALIPER, BALLED AND BURLAPPED	EACH	3				3			
* B2001167	TREE, CERCS CANADENSIS (EASTERN REDBUD), 8' HEIGHT, BALLED AND BURLAPPED	EACH	6				6			
* K1005481	SHREDDED BARK MULCH 3"	SQ YD	1,522				1,522			
* K0012990	PERENNIAL PLANTS, ORNAMENTAL TYPE, GALLON POT	UNIT	19.5				19.5			
* K0013000	PERENNIAL PLANTS, PRAIRIE TYPE, 2" DIAMETER BY 4" DEEP PLUG	UNIT	51.5				51.5			
X0320239	CONCRETE WALL REMOVAL	FOOT	240	240						
X0323256	REMOVE AND RELOCATE FLAGPOLE	EACH	1	1						
X0323706	TRASH RECEPTACLE RELOCATION	EACH	12	12						
X0326657	RELOCATE SIGN, SPECIAL	EACH	1	1						
X0327008	REMOVE AND RELOCATE SIGN (SPECIAL)	EACH	4	4						
X0327009	REMOVE SIGN (SPECIAL)	EACH	1	1						
X0327149	RELOCATE BENCH	EACH	16	16						
* X0327241	STEEL CASING PIPE IN TRENCH, 24 INCH	FOOT	111							111
* X0327515	THERMAL VEHICLE DETECTION SYSTEM	EACH	2		2					
* X0327739	MISCELLANEOUS ELECTRICAL WORK	LSUM	1			1				
* X0327802	PLANTING SOIL MIX FURNISH AND PLACE, 12"	SQ YD	1,522				1,522			
X0350805	FOLD DOWN BOLLARDS	EACH	2	2						
X0350810	BOLLARD REMOVAL	EACH	22	22						
* X0840000	SANITARY SEWER REMOVAL 8"	FOOT	37						37	0
* X1400092	LIGHT POLE, ALUMINUM, 30 FT. M.H., 10 FT. DAVIT ARM - TWIN	EACH	2			2				
* X1700001	DRILL EXISTING MANHOLE, HEAVY DUTY HANDHOLE, OR MEDIAN WALL JUNCTION BOX	EACH	8			8				
X2600011	REMOVE AND RELOCATE SIGN PANEL	EACH	5	5						
X5030225	CONCRETE STRUCTURES (SPECIAL)	CU YD	4	4						
* X5610746	WATER MAIN LINE STOP 6"	EACH	5							5
* X5640175	FIRE HYDRANT COMPLETE	EACH	3	3						
X6020082	INLETS, TYPE G-1	EACH	5	5						
X6022230	MANHOLES, TYPE A, 4'-DIAMETER, WITH SPECIAL FRAME AND GRATE	EACH	8	8						
X6023508	INLETS, TYPE A, WITH SPECIAL FRAME AND GRATE	EACH	33	33						
X6024502	INLETS, TYPE B, WITH SPECIAL FRAME AND GRATE	EACH	21	21						
X6025600	MANHOLES TO BE ADJUSTED (SPECIAL)	EACH	8	8						
X6026056	SANITARY MANHOLES TO BE ADJUSTED WITH NEW TYPE 1 FRAME, CLOSED LID	EACH	1	1						
* X6026624	VALVE BOXES TO BE ADJUSTED (SPECIAL)	EACH	7							7
X6050040	REMOVING MANHOLES, SPECIAL	EACH	1			1				
X6061700	COMBINATION CONCRETE CURB AND GUTTER, TYPE B (SPECIAL)	FOOT	865	865						
X6061815	COMBINATION CONCRETE CURB AND GUTTER, TYPE M (SPECIAL)	FOOT	2,984	2,984						
* X6331110	STEEL POSTS, SPECIAL	EACH	9	9						
* X6640100	FENCE RAIL REMOVAL	FOOT	66	66						
X7010216	TRAFFIC CONTROL AND PROTECTION, (SPECIAL)	LSUM	1	1						
X7240505	RELOCATE SIGN PANEL AND POST	EACH	1	1						

\* SPECIALTY ITEM

© Copyright Hanson Professional Services Inc. 2016  
**HANSON**  
 Hanson Professional Services Inc.

LAYOUT	BAB	11/24/15
DRAWN	RLA	8/24/16
REVIEWED	MGD	8/25/16

FILE NAME = Z:\Plans\Sheets\Project1\P1-sht-soq05.dgn  
 PLOT DATE = 8/25/2016 4:29:36 PM

DESIGNED -	BAB	REVISED -	
DRAWN -	RLA	REVISED -	
CHECKED -	MGD	REVISED -	
DATE -	8/26/2016	REVISED -	

STATE OF ILLINOIS  
 DEPARTMENT OF TRANSPORTATION

**PROJECT 1 - GREEN STREET**  
**SUMMARY OF QUANTITIES**

SCALE: N/A      SHEET NO.    OF    SHEETS    STA.    TO STA.

F.A.U. RTE.	SECTION	COUNTY	TOTAL SHEETS	SHEET NO.
7126	15-00304-01-PV	CHAMPAIGN	236	8
MCCORE PROJECT 1		CONTRACT NO. 91539		
JOB NO. C-95-305-16 ILLINOIS FED. AID PROJECT TIG-5181057				



# SUMMARY OF QUANTITIES

ITEM NUMBER	ITEM	CONSTRUCTION CODE	UNIT	TOTAL QUANTITY	0004	0021	0021	0031	0042	0043	0043
					ROADWAY QUANTITY	SIGNAL QUANTITY	LIGHTING QUANTITY	LANDSCAPING QUANTITY	TRAINEES QUANTITY	SANITARY QUANTITY	WATER MAIN QUANTITY (100% ILAW)
* X7830060	GROOVING FOR RECESSED PAVEMENT MARKING, LETTERS AND SYMBOLS		SQ FT	428	428						
* X7830070	GROOVING FOR RECESSED PAVEMENT MARKING 5"		FOOT	8,259	8,259						
* X7830074	GROOVING FOR RECESSED PAVEMENT MARKING 7"		FOOT	3,276	3,276						
* X7830078	GROOVING FOR RECESSED PAVEMENT MARKING 13"		FOOT	1,932	1,932						
* X7830090	GROOVING FOR RECESSED PAVEMENT MARKING 25"		FOOT	487	487						
* X8040102	ELECTRIC SERVICE INSTALLATION, SPECIAL		EACH	4			4				
* X8130110	JUNCTION BOX (SPECIAL)		EACH	78			78				
* X8130125	REMOVE EXISTING JUNCTION BOX		EACH	8			8				
* X8140115	HANDHOLE TO BE ADJUSTED		EACH	10	10						
* X8211125	LUMINAIRE, LED, HORIZONTAL MOUNT, SPECIAL		EACH	21			21				
* X8211285	LUMINAIRE, LED, HORIZONTAL MOUNT, 285 WATT		EACH	5		5					
* X8250505	LIGHTING CONTROLLER, SPECIAL		EACH	1			1				
* X8360120	LIGHT POLE FOUNDATION, SPECIAL		EACH	22			22				
* X8800101	PEDESTRIAN PUSH-BUTTON, SPECIAL		EACH	10		10					
XX000300	CONCRETE STEPS		SQ FT	56	56						
* XX001249	ORNAMENTAL FENCE		FOOT	327				327			
* XX002090	STAIR SIDE RAILING		FOOT	192	192						
XX003000	CLASS SI CONCRETE STEPS		CU YD	4	4						
* XX003303	CONCRETE LIGHT POLE		EACH	8			8				
* XX004360	SANITARY SEWER BYPASS PUMPING		LSUM	1						1	
* XX005106	PVC CASING PIPE, 18"		FOOT	68							68
* XX005476	DUCTILE IRON WATER MAIN 12" RESTRAINED JOINT TYPE		FOOT	1,478							1,478
* XX005478	DUCTILE IRON WATER MAIN 6" RESTRAINED JOINT TYPE		FOOT	116							116
XX005770	STRUCTURE TO BE ABANDONED		EACH	5	5						
* XX005967	TOPSOIL (PLANTING MIXTURE)		CU YD	26.5				26.5			
XX006496	PORTLAND CEMENT CONCRETE SIDEWALK AND CURB WALL		CU YD	12	12						
* XX006570	TREES (SPECIAL)		EACH	13				13			
XX006739	CONCRETE PAVERS, TYPE A		SQ FT	1,000				1,000			
XX006740	CONCRETE PAVERS, TYPE B		SQ FT	203				203			
XX006821	CONCRETE TRUCK WASHOUT		LSUM	1	1						
* XX007325	REMOVE EXISTING TRAFFIC SIGNAL POST		EACH	2	2						
* XX007797	LUMINAIRE (SPECIAL)		EACH	8			8				
* XX008068	LUMINAIRE INSTALLATION, TYPE 1		EACH	15			15				
* XX008069	LUMINAIRE INSTALLATION, TYPE 2		EACH	8			8				
XX008263	PORTLAND CEMENT CONCRETE PLATFORM (SPECIAL)		SQ FT	8,606	8,606						
* XX008639	SHRUBS (SPECIAL)		EACH	373				373			
* <del>XX008809</del>	WATER MAIN TO BE ABANDONED		LSUM	1							1
<del>XX003055</del>	BICYCLE RACKS		EACH	33				33			
XX009125	BUS SHELTER, TYPE 1		EACH	1	1						
XX009127	BUS SHELTER, TYPE 2		EACH	1	1						
XX009132	BUS SHELTER, TYPE 4		EACH	5	5						

\* SPECIALTY ITEM

© Copyright Hanson Professional Services Inc. 2016  
**HANSON**  
 Hanson Professional Services Inc.

LAYOUT	BAB	11/24/15
DRAWN	RLA	8/24/16
REVIEWED	MGD	8/25/16

FILE NAME = Z:\Plans\sheets\Project1\P1-sht-soq06.dgn  
 PLOT DATE = 8/25/2016 4:29:44 PM

DESIGNED	-	BAB	REVISED	-	
DRAWN	-	RLA	REVISED	-	
CHECKED	-	MGD	REVISED	-	
DATE	-	8/26/2016	REVISED	-	

STATE OF ILLINOIS  
DEPARTMENT OF TRANSPORTATION

PROJECT 1 - GREEN STREET  
SUMMARY OF QUANTITIES

SCALE: N/A SHEET NO. OF SHEETS STA. TO STA.

F.A.U. RTE.	SECTION	COUNTY	TOTAL SHEETS	SHEET NO.
7126	15-00304-01-PV	CHAMPAIGN	236	9
MCORE PROJECT 1			CONTRACT NO. 91539	
JOB NO. C-95-305-16 ILLINOIS FED. AID PROJECT TIG-5181(057)				

# SUMMARY OF QUANTITIES

ITEM NUMBER	ITEM	CONSTRUCTION CODE		0004	0021	0021	0031	0042	0043	0043
		UNIT	TOTAL QUANTITY	ROADWAY QUANTITY	SIGNAL QUANTITY	LIGHTING QUANTITY	LANDSCAPING QUANTITY	TRAINEES QUANTITY	SANITARY QUANTITY	WATER MAIN QUANTITY (100% ILAW)
* XX009128	FIBER OPTIC CABLE IN CONDUIT, SPECIAL	FOOT	3,187			3,187				
<del>Z0004007</del>	BOLLARDS	EACH	7	7						
<del>Z0007430</del>	TEMPORARY SIDEWALK	SQ FT	400	400						
<del>Z0013798</del>	CONSTRUCTION LAYOUT	LSUM	1	1						
<del>Z0027100</del>	PARKING METER POSTS TO BE REMOVED	EACH	8	8						
<del>Z0030700</del>	PERMANENT BENCH MARKS	EACH	2	2						
<del>Z0047300</del>	PORTLAND CEMENT CONCRETE SIDEWALK CURB	FOOT	411	411						
Z0056642	STORM SEWERS, TYPE 1, WATER MAIN QUALITY PIPE, 6"	FOOT	96	96						
Z0056648	STORM SEWERS, TYPE 1, WATER MAIN QUALITY PIPE, 12"	FOOT	1,415	1,415						
Z0056650	STORM SEWERS, TYPE 1, WATER MAIN QUALITY PIPE, 15"	FOOT	67	67						
Z0056652	STORM SEWERS, TYPE 1, WATER MAIN QUALITY PIPE, 18"	FOOT	91	91						
Z0056668	STORM SEWERS, TYPE 2, WATER MAIN QUALITY PIPE, 12"	FOOT	294	294						
Z0056669	STORM SEWERS, TYPE 2, WATER MAIN QUALITY PIPE, 15"	FOOT	123	123						
Z0056670	STORM SEWERS, TYPE 2, WATER MAIN QUALITY PIPE, 18"	FOOT	180	180						
* Z0056900	SANITARY SEWER 8"	FOOT	37						37	
Z0076600	TRAINEES	HOOR	1,500					1,500		
Z0076604	TRAINEES TRAINING PROGRAM GRADUATE	HOOR	1,500					1,500		
X0327980	PAVEMENT MARKING REMOVAL - WATER BLASTING	SQ FT	400	400						

\* SPECIALTY ITEM

© Copyright Hanson Professional Services Inc. 2016  
**HANSON**  
 Hanson Professional Services Inc.

LAYOUT	BAB	11/24/15
DRAWN	RLA	8/24/16
REVIEWED	MGD	8/25/16

FILE NAME =  
 Z:\Plans\sheets\Project1\P1-sht-soq07.dgn  
 PLOT DATE =  
 8/25/2016 4:29:51 PM

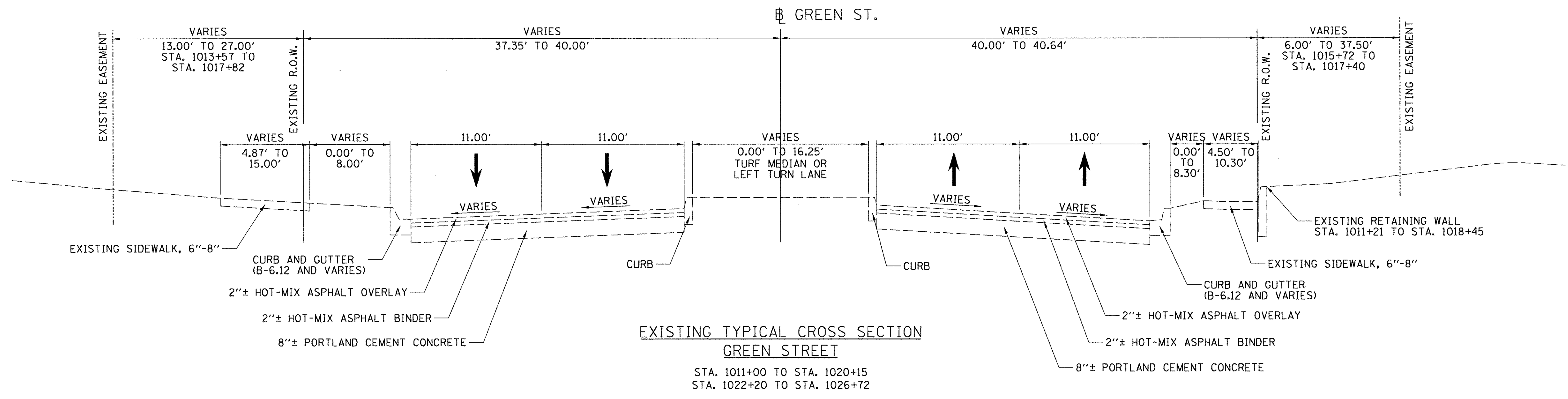
DESIGNED -	BAB	REVISED -	
DRAWN -	RLA	REVISED -	
CHECKED -	MGD	REVISED -	
DATE -	8/26/2016	REVISED -	

STATE OF ILLINOIS  
 DEPARTMENT OF TRANSPORTATION

PROJECT 1 - GREEN STREET  
 SUMMARY OF QUANTITIES

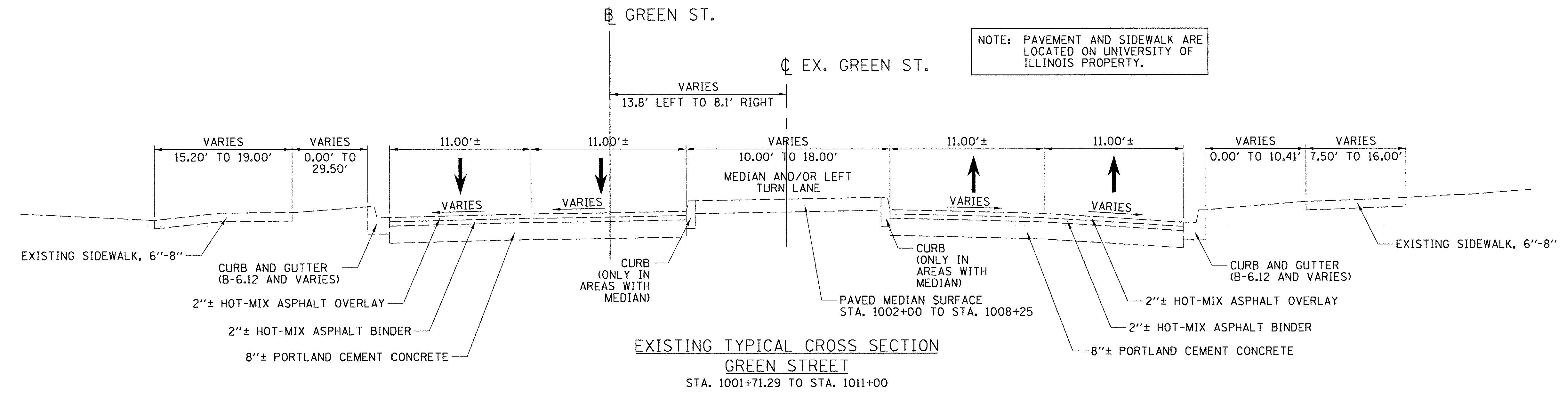
SCALE: N/A    SHEET NO. OF SHEETS    STA. TO STA.

F.A.U. RTE.	SECTION	COUNTY	TOTAL SHEETS	SHEET NO.
7126	15-00304-01-PV	CHAMPAIGN	236	10
MCORE PROJECT 1		CONTRACT NO. 91539		
JOB NO. C-95-305-16 ILLINOIS FED. AID PROJECT TIG-5181(057)				



**EXISTING TYPICAL CROSS SECTION  
 GREEN STREET**  
 STA. 1011+00 TO STA. 1020+15  
 STA. 1022+20 TO STA. 1026+72

**EXISTING THICKNESSES:**  
 THE EXISTING PAVEMENT, SIDEWALK, AND MEDIAN STRUCTURES WITHIN THE PROJECT LIMITS VARY BOTH IN TYPE AND THICKNESS THROUGHOUT. THE BEST AVAILABLE INFORMATION, BASED ON ORIGINAL CONSTRUCTION PLANS AND SOME PAVEMENT CORING, IS SHOWN IN THE EXISTING TYPICAL SECTIONS. NO ADDITIONAL COMPENSATION WILL BE ALLOWED FOR SECTIONS THAT MAY DEVIATE FROM THE TYPE AND DEPTH INFORMATION PROVIDED ON THE EXISTING TYPICAL SECTIONS.



**EXISTING TYPICAL CROSS SECTION  
 GREEN STREET**  
 STA. 1001+71.29 TO STA. 1011+00

**NOTE:** PAVEMENT AND SIDEWALK ARE LOCATED ON UNIVERSITY OF ILLINOIS PROPERTY.

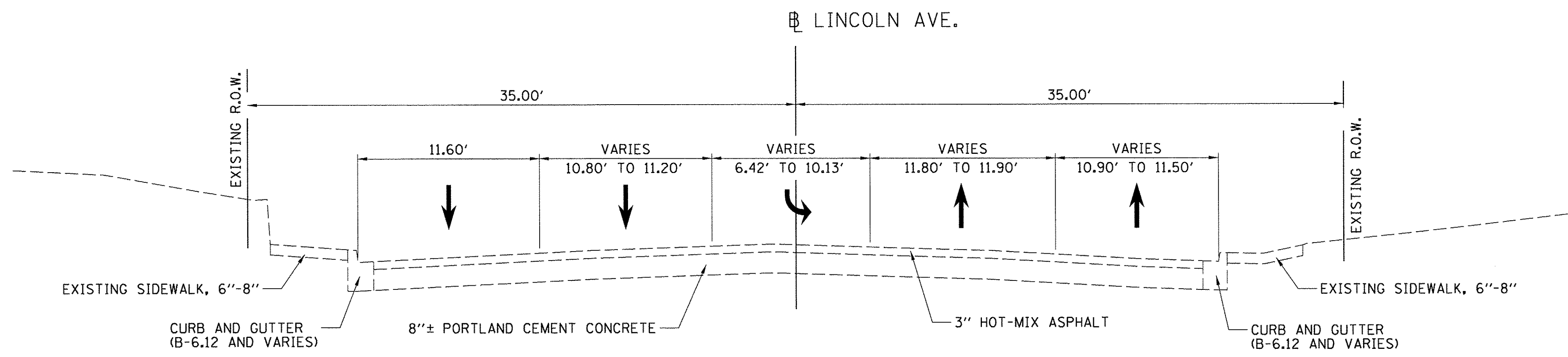
LAYOUT	RLA	11/24/15
DRAWN	RLA	2/14/16
REVIEWED	MGD	3/22/16

FILE NAME = Z:\PPlans\sheets\Project1\P1-sht-etypsec-01.dgn	DESIGNED - RLA	REVISED -
PLOT DATE = 8/25/2016 1:24:43 PM	DRAWN - RLA	REVISED -
	CHECKED - MGD	REVISED -
	DATE - 8/26/2016	REVISED -

STATE OF ILLINOIS  
 DEPARTMENT OF TRANSPORTATION

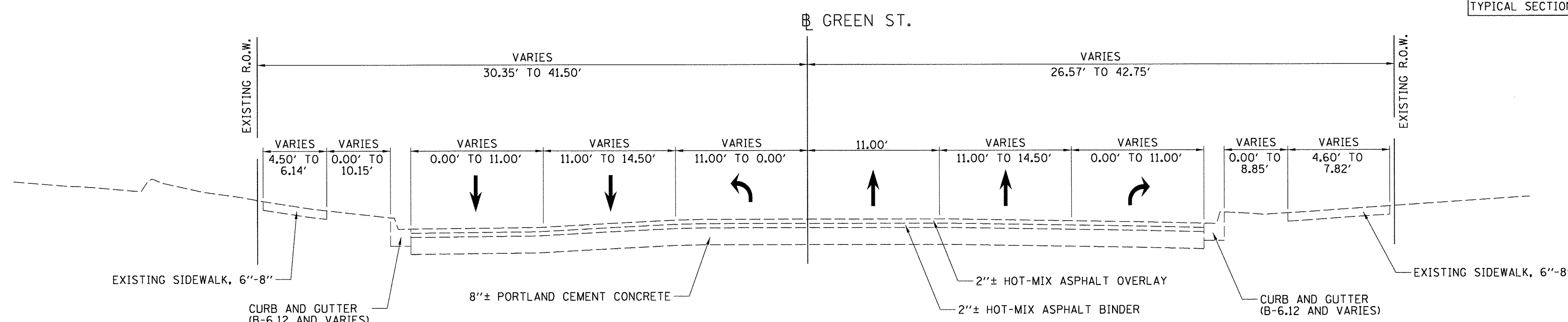
<b>PROJECT 1 - GREEN STREET EXISTING TYPICAL SECTIONS</b>			
SCALE: N/A	SHEET NO. OF SHEETS	STA. TO STA.	

F.A.U. RTE.	SECTION	COUNTY	TOTAL SHEETS	SHEET NO.
7126	15-00304-01-PV	CHAMPAIGN	236	11
MCORE PROJECT 1		CONTRACT NO. 91539		
JOB NO. C-95-305-16 ILLINOIS FED. AID PROJECT TIG-5181057				

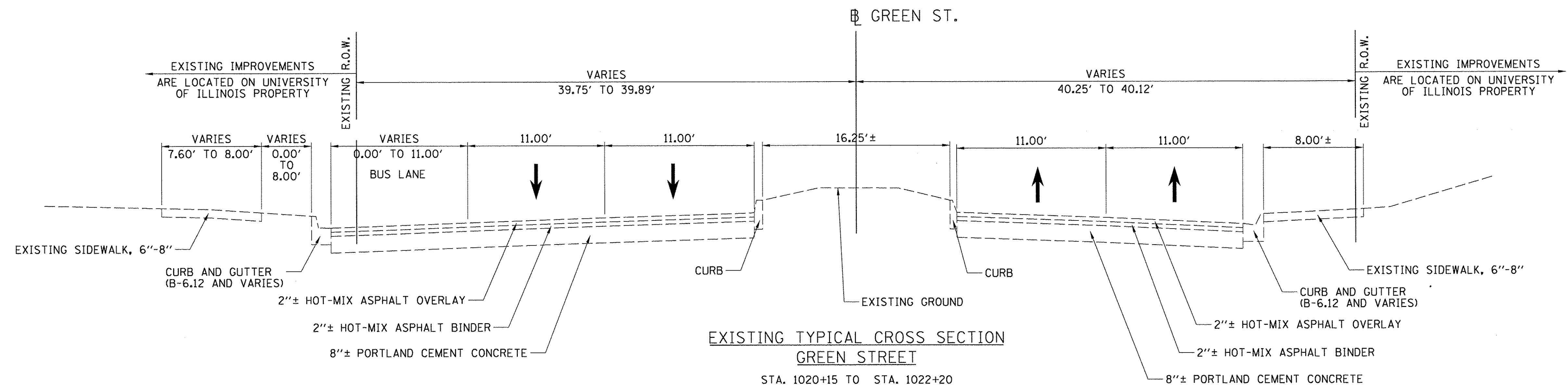


**EXISTING TYPICAL CROSS SECTION**  
**LINCOLN AVENUE**  
 STA. 1302+67.87 TO STA. 1303+83.00

EXISTING THICKNESSES, THE EXISTING PAVEMENT, SIDEWALK, AND MEDIAN STRUCTURES WITHIN THE PROJECT LIMITS VARY BOTH IN TYPE AND THICKNESS THROUGHOUT. THE BEST AVAILABLE INFORMATION, BASED ON ORIGINAL CONSTRUCTION PLANS AND SOME PAVEMENT CORING, IS SHOWN IN THE EXISTING TYPICAL SECTIONS. NO ADDITIONAL COMPENSATION WILL BE ALLOWED FOR SECTIONS THAT MAY DEVIATE FROM THE TYPE AND DEPTH INFORMATION PROVIDED ON THE EXISTING TYPICAL SECTIONS.



**EXISTING TYPICAL CROSS SECTION**  
**GREEN STREET**  
 STA. 1026+72 TO STA. 1031+97.50



**EXISTING TYPICAL CROSS SECTION**  
**GREEN STREET**  
 STA. 1020+15 TO STA. 1022+20

LAYOUT	RLA	11/24/15
DRAWN	RLA	2/4/16
REVIEWED	MGD	3/22/16

FILE NAME =	Z:\Plans\sheets\Project1\p1-sht-etypsec-02.dgn
PLOT DATE =	8/25/2016 1:24:45 PM

DESIGNED - RLA	REVISED -
DRAWN - RLA	REVISED -
CHECKED - MGD	REVISED -
DATE - 8/26/2016	REVISED -

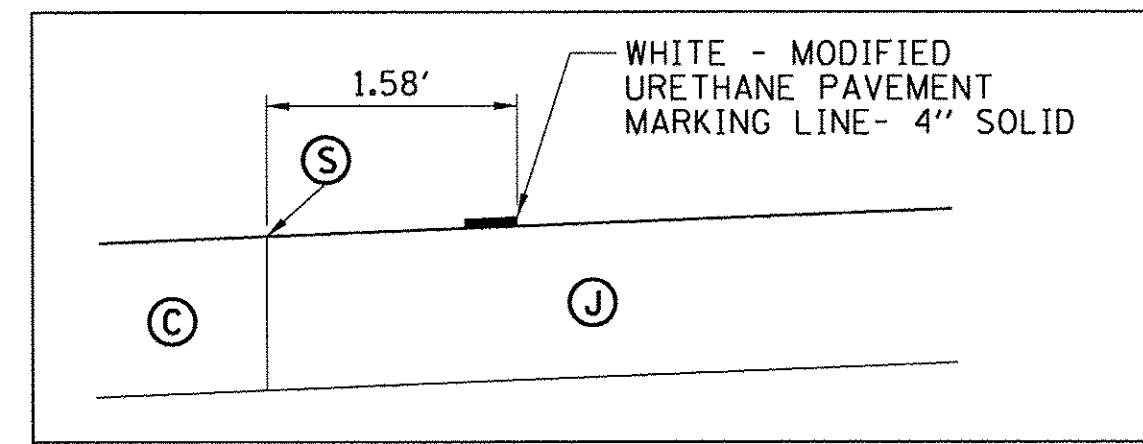
STATE OF ILLINOIS  
 DEPARTMENT OF TRANSPORTATION

PROJECT 1 - GREEN STREET			
EXISTING TYPICAL SECTIONS			
SCALE: N/A	SHEET NO. OF SHEETS	STA. TO STA.	

F.A.U. RTE.	SECTION	COUNTY	TOTAL SHEETS	SHEET NO.
7126	15-00304-01-PV	CHAMPAIGN	236	12
MCORE PROJECT 1		CONTRACT NO. 91539		
JOB NO. C-95-305-16 ILLINOIS FED. AID PROJECT T16-51810571				

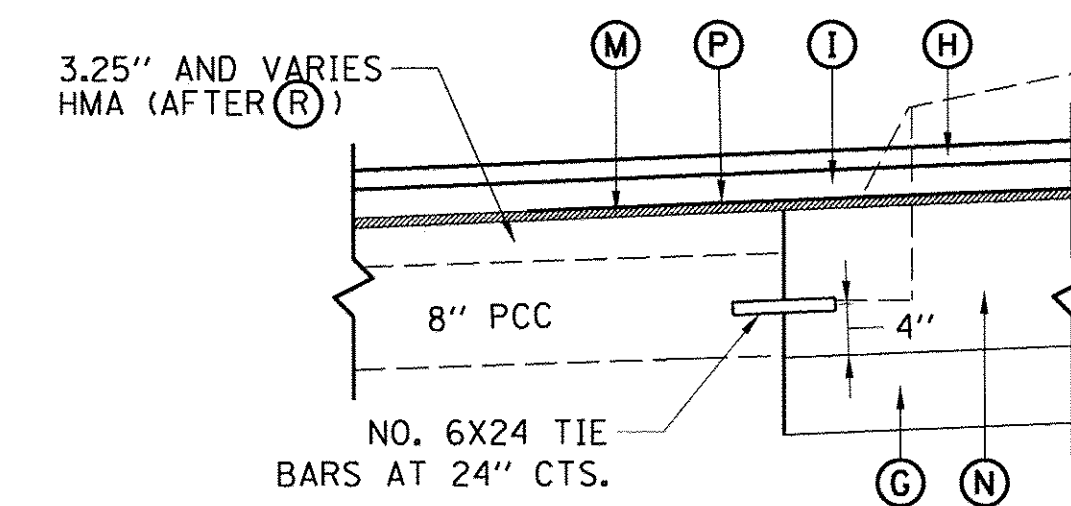
# PROPOSED TYPICAL SECTION NOTES

- SEE PLAN AND PROFILE SHEETS AND HORIZONTAL ALIGNMENT AND CONTROL SHEETS FOR DETAILED LOCATIONS OF EDGES OF PAVEMENTS, CURBS AND GUTTERS, SIDEWALKS, AND RIGHT-OF-WAY LINES. SEE CROSS SECTIONS FOR EXACT SIDE SLOPE RATIOS.
- THE COMBINATION CONCRETE CURB AND GUTTER ADJACENT TO THE NEW P.C.C. PAVEMENT OR EXISTING PAVEMENTS SHALL BE IN ACCORDANCE WITH STANDARD 606001 AND AS DETAILS IN THE PLANS EXCEPT THAT IT SHALL BE CONSTRUCTED TO THE FULL THICKNESS OF THE PAVEMENT. THE COST OF THE CURB AND GUTTER, INCLUDING THE ADDITIONAL THICKNESS, SHALL BE PAID FOR AT THE CONTRACT UNIT PRICE PER FOOT FOR COMBINATION CONCRETE CURB AND GUTTER, OF THE TYPE SPECIFIED.
- THE WIDTH OF MEASUREMENT FOR THE AGGREGATE BASE COURSE MATERIAL SHALL BE THE TOP WIDTH AS SHOWN IN THE TYPICAL SECTIONS.
- THE SUBGRADE SHALL BE PREPARED AND COMPACTED IN ACCORDANCE WITH SECTION 301 OF THE STANDARD SPECIFICATIONS AND THE I.D.O.T. SUBGRADE STABILITY MANUAL. IF THE REQUIRED DENSITY AND STABILITY CAN NOT BE ATTAINED IT WILL BE NECESSARY TO UNDERCUT AND REMOVE EARTH AND ORGANIC MATERIAL BELOW THE PROPOSED PAVEMENT SYSTEM TO A DEPTH OF 12" AS DIRECTED BY THE ENGINEER. ALL UNSUITABLE, UNSUITABLE, OR ORGANIC MATERIAL SHALL BE DISPOSED OF OFF SITE IN ACCORDANCE WITH ARTICLE 202.03 OF THE STANDARD SPECIFICATIONS. MATERIALS THAT ARE REMOVED AND ARE NOT CLASSIFIED AS EARTH EXCAVATION OR TOPSOIL REMOVAL SHALL BE MEASURED AND PAID FOR AS REMOVAL AND DISPOSAL OF UNSUITABLE MATERIAL. THE GRANULAR EMBANKMENT, SPECIAL MATERIAL SHALL MEET THE GRADATION REQUIREMENTS LISTED IN THE SPECIAL PROVISIONS. SEE THE "SUBGRADE REMOVAL AND REPLACEMENT DETAIL" ON THIS SHEET FOR ADDITIONAL INFORMATION.
- SEE THE INTERSECTION DETAILS AND PAVEMENT JOINT DETAILS FOR LOCATIONS OF LONGITUDINAL AND TRANSVERSE JOINTS.
- THE CURB AND GUTTER SHALL NOT BE POURED MONOLITHIC WITH THE P.C.C. PAVEMENT EXCEPT AT THE STUB LOCATIONS SHOWN ON THE PLANS. TIE BARS BETWEEN THE PAVEMENT AND THE CURB AND GUTTER SHALL BE REQUIRED. THE COST OF ADDITIONAL GUTTER FLAG WIDTH AT THE STUB LOCATIONS WILL BE PAID FOR AT THE CONTRACT UNIT PRICE PER SQUARE YARD FOR THE SPECIFIED TYPE OF P.C.C. PAVEMENT.
- ALL SAWS TRANSVERSE CONTRACTION JOINTS AND EXPANSION JOINTS IN THE P.C.C. PAVEMENT SHALL EXTEND THROUGH THE COMBINATION CONCRETE CURB AND GUTTER.
- THE FINISHED EARTHWORK SHALL HAVE VEGETATIVE SUSTAINING TOPSOIL - SEE LANDSCAPE PLANS FOR LOCATIONS AND DEPTHS.
- ALL EXPOSED EARTH AREAS SHALL BE SODDED OR LANDSCAPED IN ACCORDANCE WITH THE LANDSCAPE PLANS. SUPPLEMENTAL WATERING FOR SOD SHALL BE PERFORMED AS DESCRIBED IN THE SPECIAL PROVISIONS.
- THE PIPE UNDERDRAINS SHALL BE PERFORATED CORRUGATED POLYETHYLENE PIPE WITH A SMOOTH INTERIOR AND FABRIC ENVELOPE IN ACCORDANCE WITH ARTICLE 1040.04 OF THE STANDARD SPECIFICATIONS. THE UNDERDRAINS SHALL BE INSTALLED AS SHOWN ON THE PLANS AND SHALL INCLUDE CLEANOUTS AS SHOWN ON THE DETAIL IN THE PLANS OR CAPPED ON THE UPSTREAM END AS DIRECTED BY THE ENGINEER. THE BACKFILL MATERIAL SHALL BE CA-16 IN ACCORDANCE WITH THE STANDARD SPECIFICATIONS. THE UNDERDRAINS SHALL BE OUTLETTED TO DRAINAGE STRUCTURES AT LOCATIONS SHOWN ON DRAINAGE PLAN SHEETS.
- BITUMINOUS MATERIALS (PRIME COAT) SHALL BE APPLIED BETWEEN ALL LIFTS OF HMA AT THE RATES PROVIDED IN SECTION 406 OF THE STANDARD SPECIFICATIONS.
- IF AN ANTI-STRIPING ADDITIVE IS REQUIRED FOR ANY HOT-MIX ASPHALT MIXTURE, THE COST OF THE ADDITIVE WILL NOT BE PAID FOR SEPARATELY AS DESCRIBED IN ARTICLE 406.14 OF THE STANDARD SPECIFICATIONS. IF THE CONTRACTOR ANTICIPATES THAT AN ADDITIVE WILL BE NEEDED, THE COST SHALL BE INCLUDED IN THE UNIT BID PRICE.



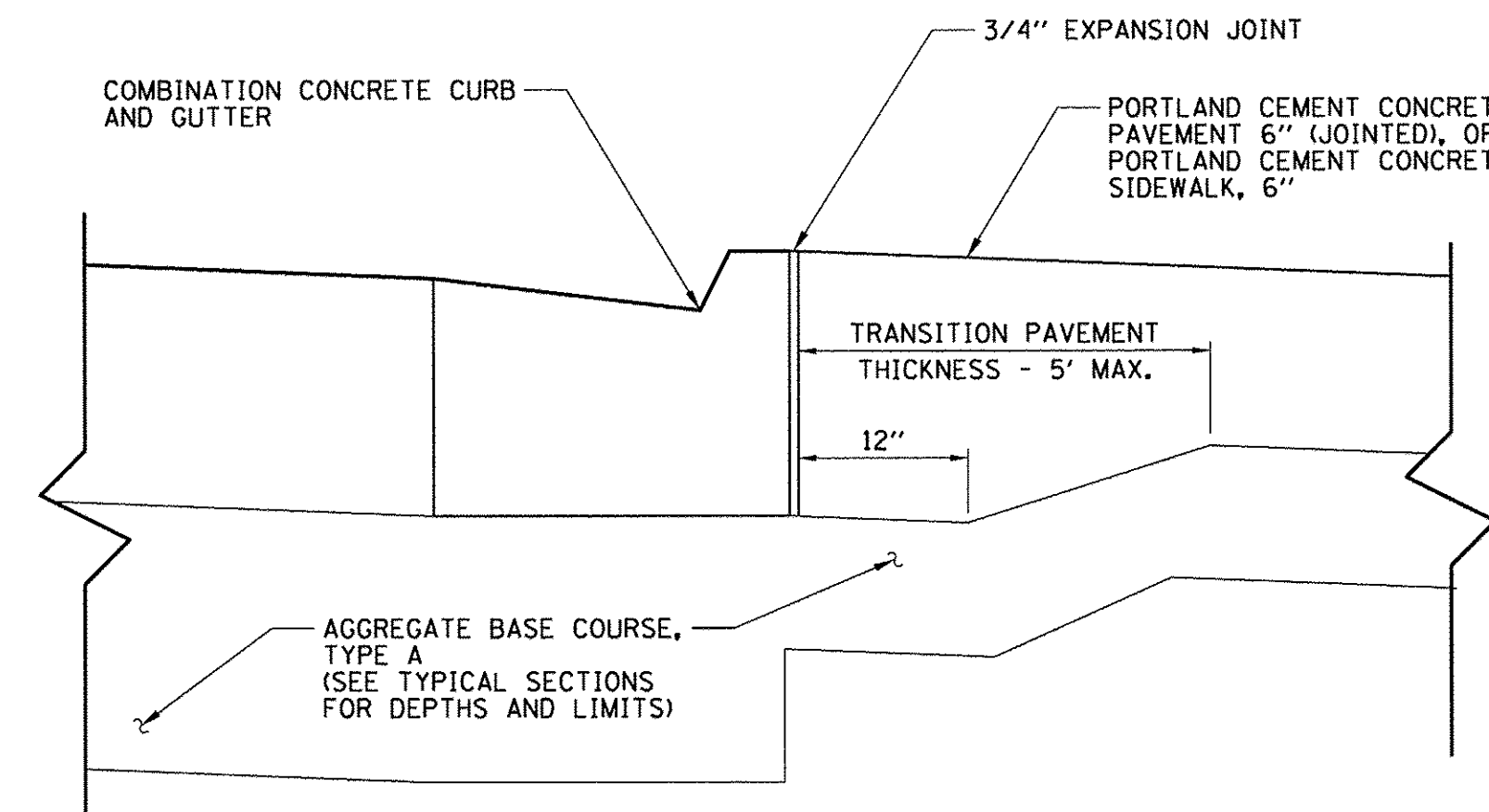
**BIKE LANE MARKING DETAIL**

(TO BE USED WHERE SIDEWALK AND BIKE LANE ARE NOT SEPERATED)



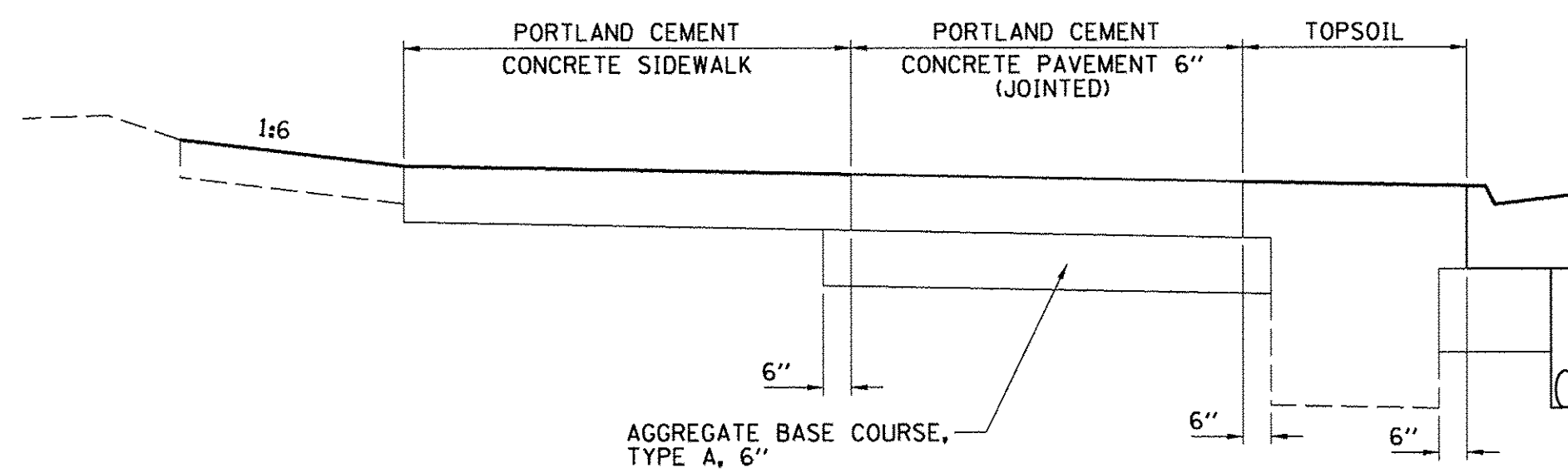
**PCC BASE COURSE WIDENING DETAIL**

NOTE: SAW CUT PCC BASE COURSE WIDENING AND ADJACENT CURB OR CURB & GUTTER (IF PROPOSED) TO MATCH ADJACENT TRANSVERSE CRACKS AND JOINTS AT THE DIRECTION OF THE ENGINEER.



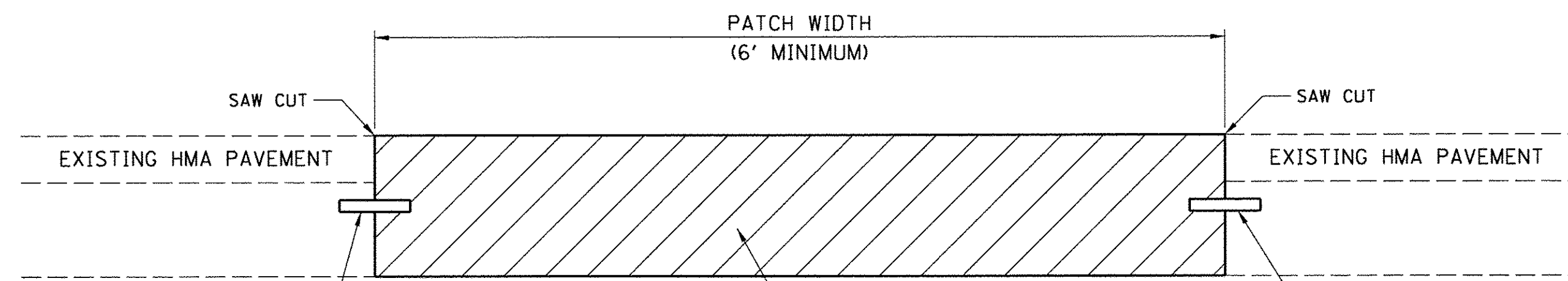
**THICKENED EDGE PAVEMENT DETAIL**

NOTE: THE COST OF CONSTRUCTING THE PCC SIDEWALK AND PAVEMENT THICKER ADJACENT TO THE GUTTER, SHOULDER, OR PAVEMENT, AS SHOWN IN THE TYPICAL SECTIONS, WILL BE CONSIDERED INCIDENTAL TO THE ASSOCIATED PAY ITEMS AND NO ADDITIONAL COMPENSATION WILL BE ALLOWED.



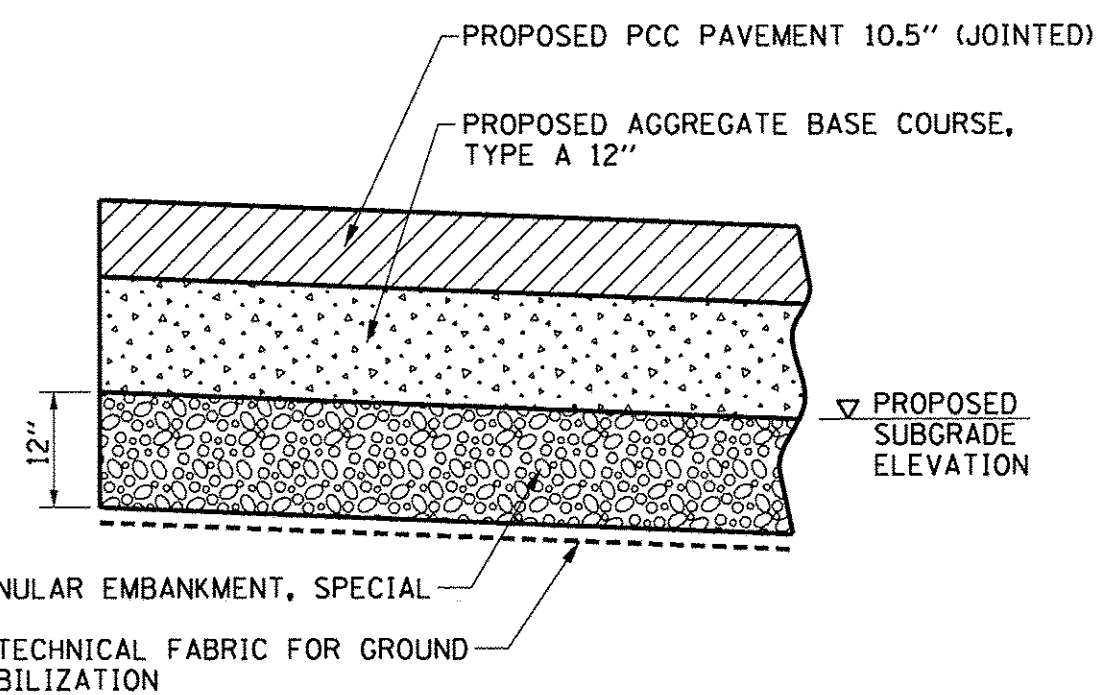
**BUS PLATFORM TRANSITION ZONE DETAIL**

AGGREGATE LIMITS WHERE BIKE LANE MOVES AWAY FROM ROADWAY TO BE BEHIND TRANSIT PLATFORMS.



**PAVEMENT PATCHING DETAIL**

NOTE: PATCH SHALL BE CONSTRUCTED TO THE EXISTING PAVEMENT GRADE. THE ENTIRE ROADWAY SURFACE, INCLUDING PATCHES, SHALL BE MILLED AS INDICATED ON THE TYPICAL SECTIONS AND ROADWAY SHEETS.



**SUBGRADE REMOVAL AND REPLACEMENT DETAIL**

- NOTES:
- THIS WORK SHALL BE CONSTRUCTED AT LOCATIONS AS DIRECTED BY THE ENGINEER
  - STA. 1007+00 TO STA. 1100+00 REMOVE 12" OF UNSUITABLE MATERIAL BELOW THE BOTTOM OF PROPOSED AGGREGATE BASE COURSE. AN ADDITIONAL AREA COVERING 10% OF THE REMAINING PAVEMENT AREA TO BE RECONSTRUCTED HAS ALSO BEEN INCLUDED AS A CONTINGENCY TO BE USED AT THE DIRECTION OF THE ENGINEER.
  - THE WORK SHALL BE IN ACCORDANCE WITH SECTION 210 OF THE STANDARD SPECIFICATIONS. THE GRANULAR EMBANKMENT, SPECIAL WILL BE PAID FOR AT THE CONTRACT UNIT PRICE PER TON. THE GEOTECHNICAL FABRIC FOR GROUND STABILIZATION WILL BE PAID FOR AT THE CONTRACT UNIT PRICE PER SQUARE YARD. THE EARTH REMOVAL BELOW THE PROPOSED SUBGRADE ELEVATION LINE WILL BE PAID FOR AS REMOVAL AND DISPOSAL OF UNSUITABLE MATERIAL.

**STRUCTURAL PAVEMENT DESIGN INFORMATION**

GREEN STREET (NEW PCC PAVEMENT)  
(GOODWIN AVENUE INTERSECTION AND WEST)

STRUCTURAL DESIGN TRAFFIC: YEAR 2027

PV = 12846 SU = 0 MU = 280 BUSES = 874

ROAD/STREET CLASSIFICATION: CLASS I

PERCENT OF STRUCTURAL DESIGN TRAFFIC IN DESIGN LANE:  
P = 50% S = 50% M = 50%

TRAFFIC FACTOR: TF = 29.35

SUBGRADE SUPPORT RATING: SSR = "POOR"

**STRUCTURAL PAVEMENT DESIGN INFORMATION**

GREEN STREET (HMA OVERLAY)  
(EAST OF GOODWIN AVENUE)

STRUCTURAL DESIGN TRAFFIC: YEAR 2027

PV = 6069 SU = 0 MU = 127 BUSES = 154

ROAD/STREET CLASSIFICATION: CLASS II

PERCENT OF STRUCTURAL DESIGN TRAFFIC IN DESIGN LANE:  
P = 50% S = 50% M = 50%

TRAFFIC FACTOR: TF = 4.77

SUBGRADE SUPPORT RATING: SSR = "POOR"

**STRUCTURAL PAVEMENT DESIGN INFORMATION**

LINCOLN AVENUE (HMA OVERLAY)

STRUCTURAL DESIGN TRAFFIC: YEAR 2027

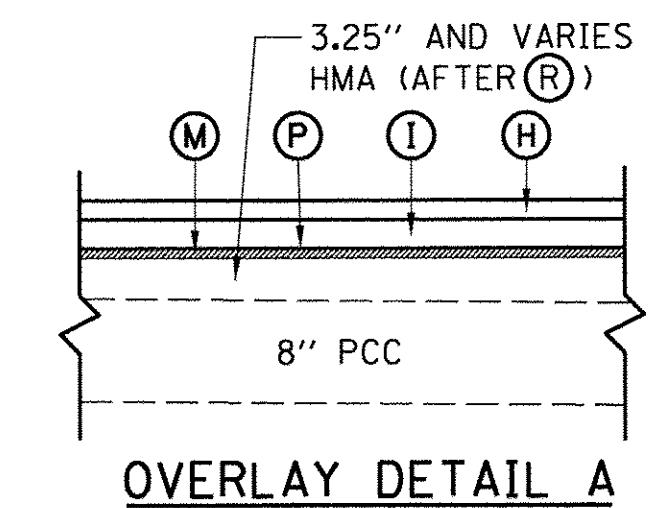
PV = 13860 SU = 0 MU = 286 BUSES = 154

ROAD/STREET CLASSIFICATION: CLASS I

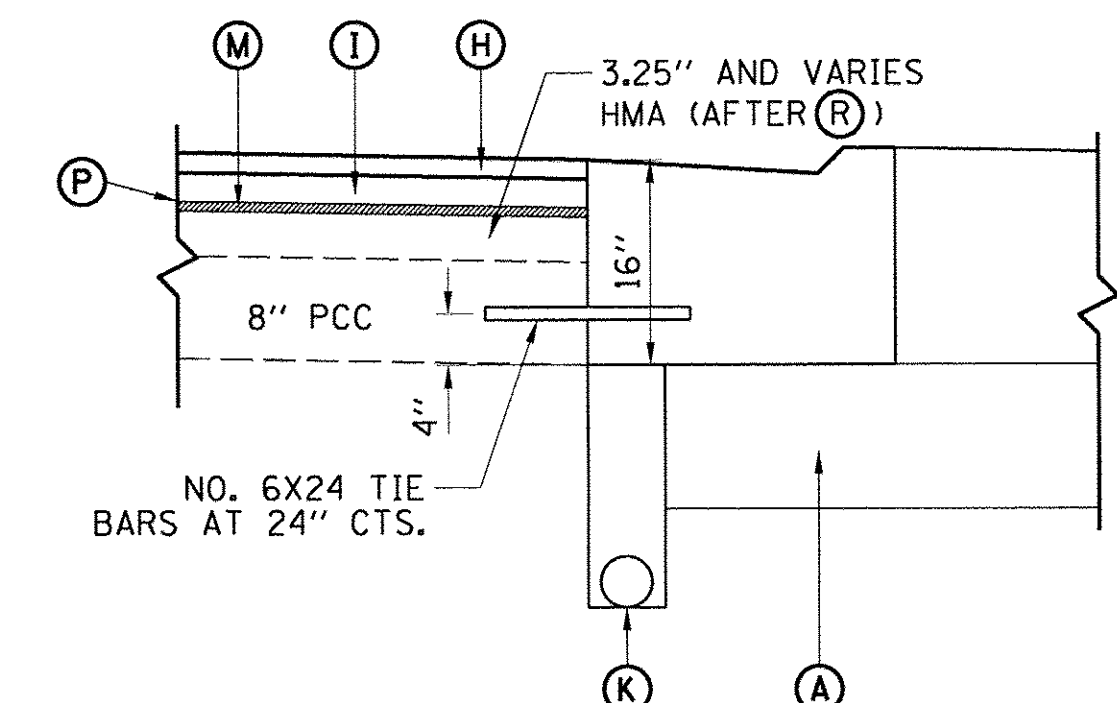
PERCENT OF STRUCTURAL DESIGN TRAFFIC IN DESIGN LANE:  
P = 50% S = 50% M = 50%

TRAFFIC FACTOR: TF = 5.85

SUBGRADE SUPPORT RATING: SSR = "POOR"



**OVERLAY DETAIL A**



**OVERLAY CURB & GUTTER DETAIL**

© Copyright Hanson Professional Services Inc. 2018  
**HANSON**  
Hanson Professional Services Inc.

LAYOUT	RLA	11/24/15
DRAWN	RLA	2/4/16
REVIEWED	MGD	3/22/16

FILE NAME = Z:\Plans\Sheets\Project1\P1-sht-ptypsec-01.dgn

PLOT DATE = 8/25/2018 1:24:51 PM

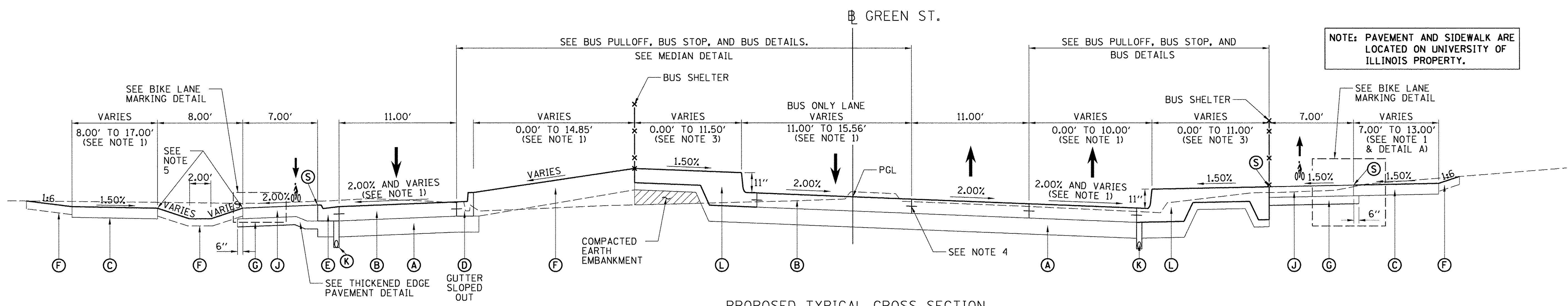
DESIGNED	- RLA	REVISED	-
DRAWN	- RLA	REVISED	-
CHECKED	- MGD	REVISED	-
DATE	- 8/26/2016	REVISED	-

STATE OF ILLINOIS  
DEPARTMENT OF TRANSPORTATION

PROJECT 1 - GREEN STREET  
PROPOSED TYPICAL SECTION NOTES

SCALE: N/A SHEET NO. OF SHEETS STA. TO STA.

F.A.U. RTE.	SECTION	COUNTY	TOTAL SHEETS	SHEET NO.
7126	15-00304-01-PV	CHAMPAIGN	236	13
MCORE PROJECT 1			CONTRACT NO. 91539	
JOB NO. C-95-305-16 ILLINOIS FED. AID PROJECT TIG-S181(057)				



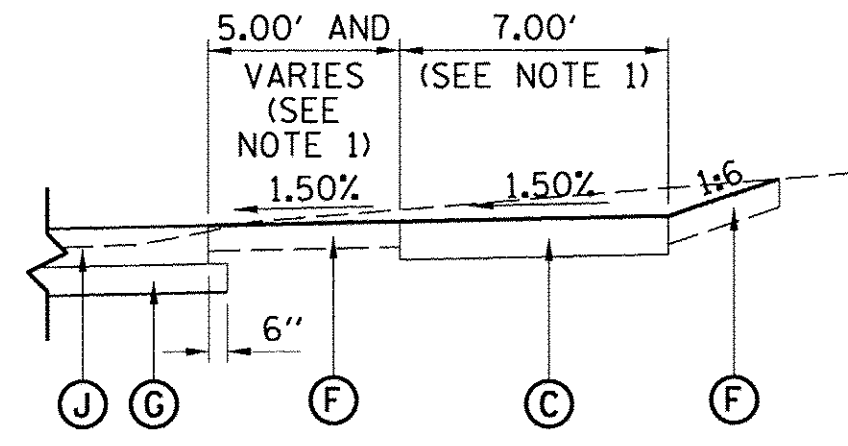
NOTE: PAVEMENT AND SIDEWALK ARE LOCATED ON UNIVERSITY OF ILLINOIS PROPERTY.

PROPOSED TYPICAL CROSS SECTION  
 GREEN STREET

STA. 1004+50.00 TO STA. 1007+79.02

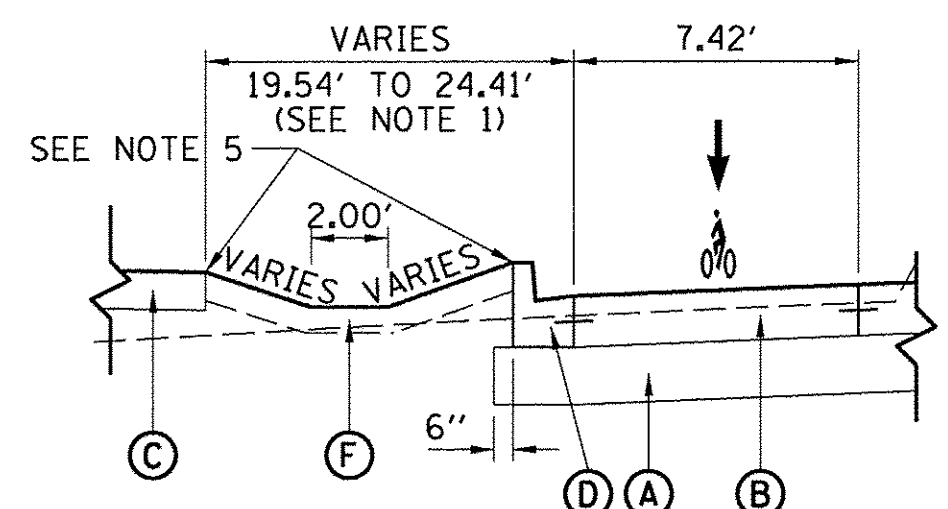
NOTES:

1. SEE GRADING AND LAYOUT DETAILS.
2. SEE LANDSCAPE PLANS.
3. SEE BUS PULLOFF, BUS STOP, AND BUS DETAILS.
4. SEE PAVEMENT JOINTING PLAN SHEETS FOR LOCATIONS OF JOINTS AND TIE BARS.
5. SEE CROSS SECTIONS & GRADING AND LAYOUT DETAILS FOR SIDEWALK GRADES.
6. 3/4" EXPANSION JOINTS WITH A REMOVABLE JOINT CAP STRIP WILL NOT BE PAID FOR SEPARATELY BUT SHALL BE INCLUDED IN THE COST OF PORTLAND CEMENT CONCRETE SIDEWALK OF THE THICKNESS SPECIFIED.
7. 3/4" EXPANSION JOINTS SHALL BE PROVIDED WHERE PORTLAND CEMENT CONCRETE PAVEMENT, 6" (JOINTED) IS LOCATED IMMEDIATELY ALONG/ADJACENT TO PORTLAND CEMENT CONCRETE SIDEWALK, DRIVEWAYS, BUS PLATFORMS, AND GUTTER. COST INCLUDED IN PROPOSED WORK ITEMS WHERE THIS WILL BE PLACED.
8. THE SQUARE YARD CALCULATION OF AGGREGATE BASE COURSE, TYPE A, OF THE THICKNESS SPECIFIED, WAS CALCULATED TO INCLUDE ADDITIONAL AREA BEYOND THE BACK OF THE CURB AND EDGE OF BIKE LANES AS SHOWN ON THE TYPICAL SECTIONS. THIS AREA WAS ALSO INCLUDED IN THE CU. YD. CALCULATION OF EARTH EXCAVATION.
9. ALL DOWEL AND TIE BARS SHALL BE EPOXY COATED.



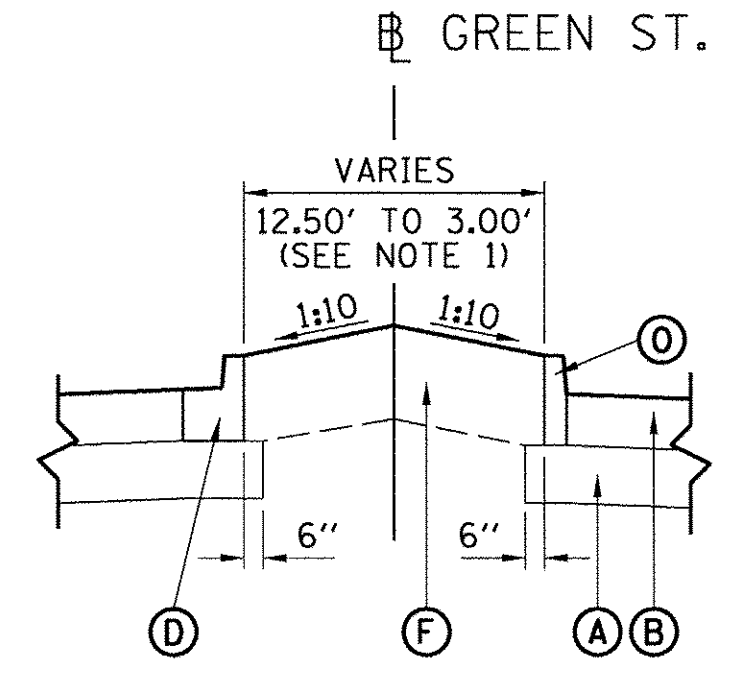
DETAIL A

STA. 1006+00.44 TO STA. 1007+79.02



ON STREET BIKE LANE DETAIL

STA. 1002+10.96 TO STA. 1002+49.76

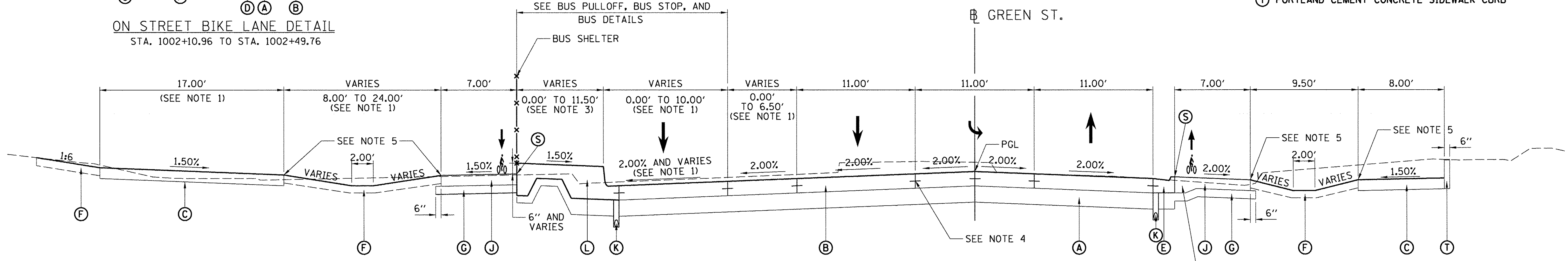


MEDIAN DETAIL

STA. 1006+29.44 TO STA. 1006+77.08

PROPOSED TYPICAL SECTION KEY (THIS SHEET ONLY)

- (A) AGGREGATE BASE COURSE, TYPE A 12"
- (B) PORTLAND CEMENT CONCRETE PAVEMENT 10.5" (JOINTED)
- (C) PORTLAND CEMENT CONCRETE SIDEWALK 6" OR 8" (SEE PLAN AND PROFILE SHEETS FOR LIMITS)
- (D) COMBINATION CONCRETE CURB AND GUTTER, TYPE B-6.12
- (E) COMBINATION CONCRETE CURB AND GUTTER, TYPE M (SPECIAL)-(M-2.18)
- (F) TOPSOIL FURNISH AND PLACE (SEE LANDSCAPE PLANS FOR TOPSOIL DEPTHS)
- (G) AGGREGATE BASE COURSE, TYPE A 6"
- (H) POLYMERIZED HOT-MIX ASPHALT SURFACE COURSE, MIX D, N70, 1.5 INCH
- (I) POLYMERIZED HOT-MIX ASPHALT BINDER COURSE, IL-19.0, N70, 2.25 INCH
- (J) PORTLAND CEMENT CONCRETE PAVEMENT 6" (JOINTED)
- (K) PIPE UNDERDRAINS, TYPE 1, 6"
- (L) TRANSIT PLATFORM (SEE NOTE 3)
- (M) POLYMERIZED LEVELING BINDER (MACHINE METHOD), IL-9.5 FG, N70, 0.75"
- (N) PORTLAND CEMENT CONCRETE BASE COURSE WIDENING 12"
- (O) CONCRETE CURB, TYPE B
- (P) FIBER GLASS FABRIC REPAIR SYSTEM
- (R) HOT-MIX ASPHALT SURFACE REMOVAL, 1/2"
- (S) 3/4" EXPANSION JOINT (SEE NOTE 6 AND 7)
- (T) PORTLAND CEMENT CONCRETE SIDEWALK CURB



PROPOSED TYPICAL CROSS SECTION  
 GREEN STREET

STA. 1001+71.29 TO STA. 1002+10.96

WRIGHT STREET INTERSECTION OMISSION  
 STA 1001+71.29 TO STA 1002+10.96

LAYOUT	11/24/15
DRAWN	8/24/16
REVIEWED	8/25/16
RLA	
RLA	
MGD	

FILE NAME =	Z:\Plans\sheets\Project1\P1-sht-ptypsec-02.dgn
DESIGNED -	RLA
DRAWN -	RLA
CHECKED -	MGD
DATE -	8/26/2016
REVISIED -	
REVISIED -	
REVISIED -	
REVISIED -	

STATE OF ILLINOIS  
 DEPARTMENT OF TRANSPORTATION

PROJECT 1 - GREEN STREET  
 PROPOSED TYPICAL SECTIONS

SCALE: N/A SHEET NO. OF SHEETS STA. TO STA.

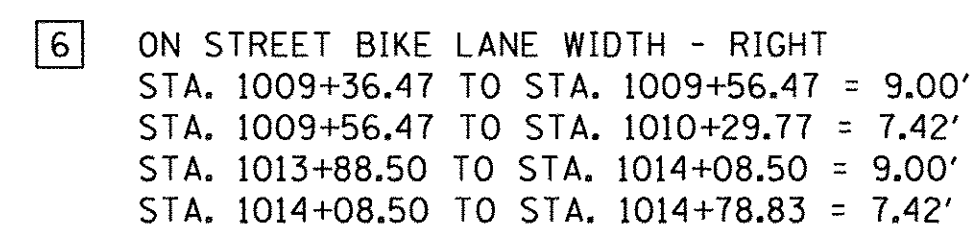
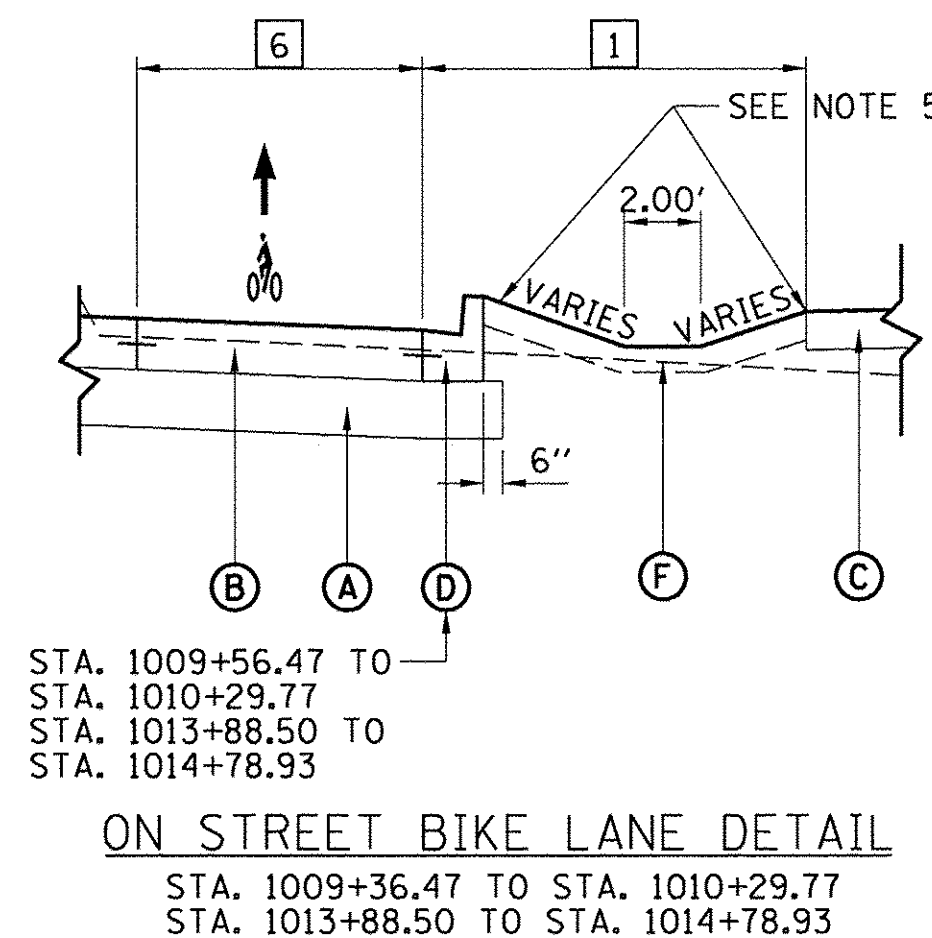
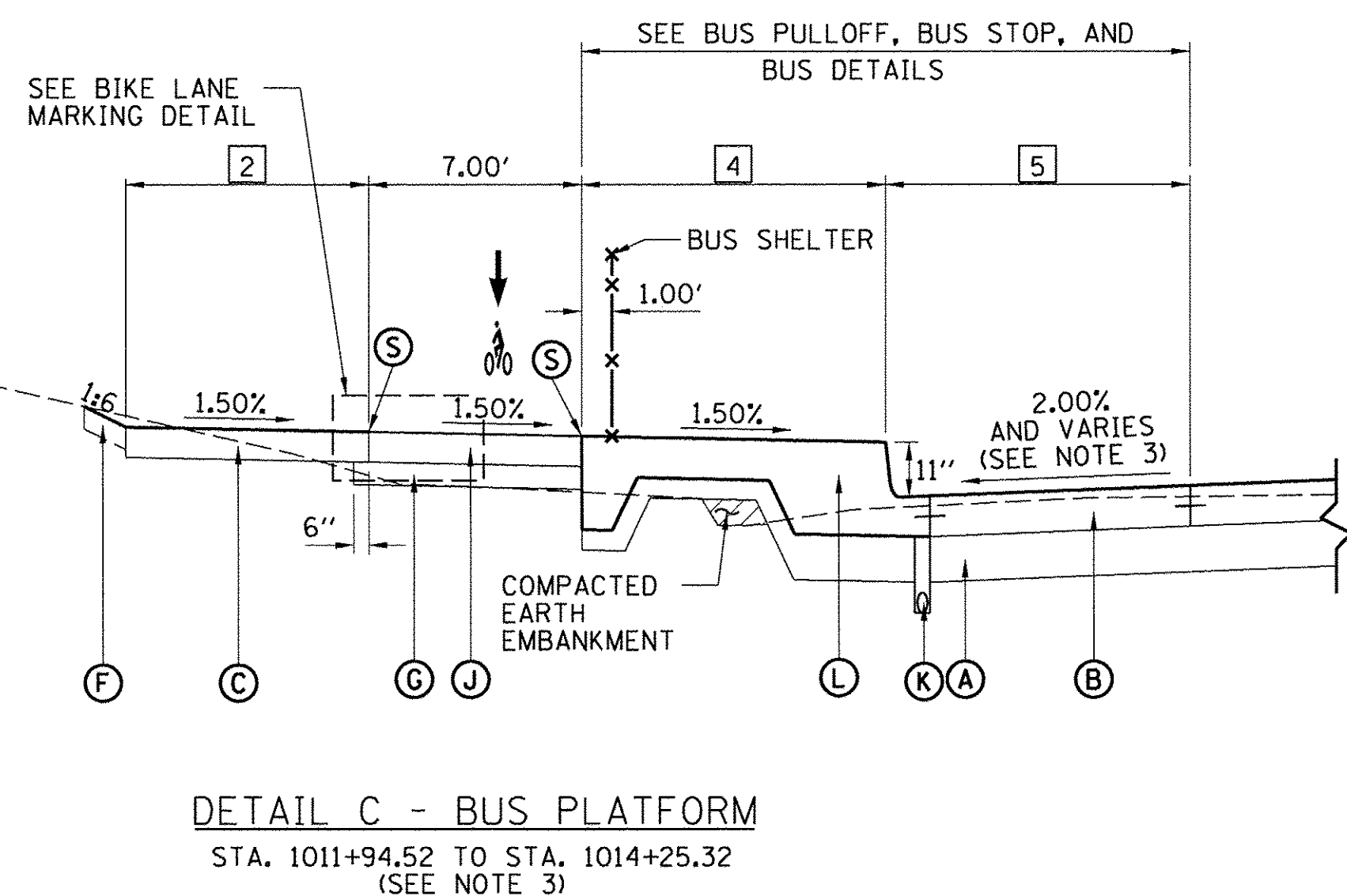
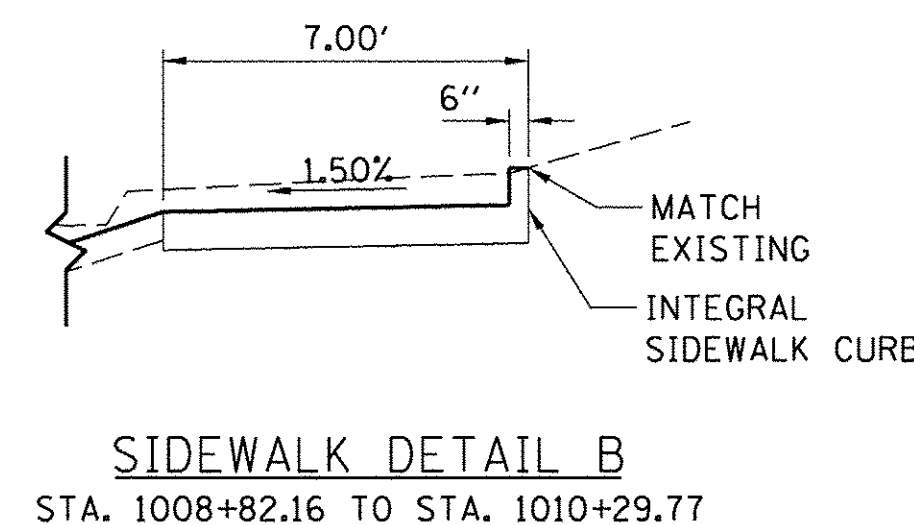
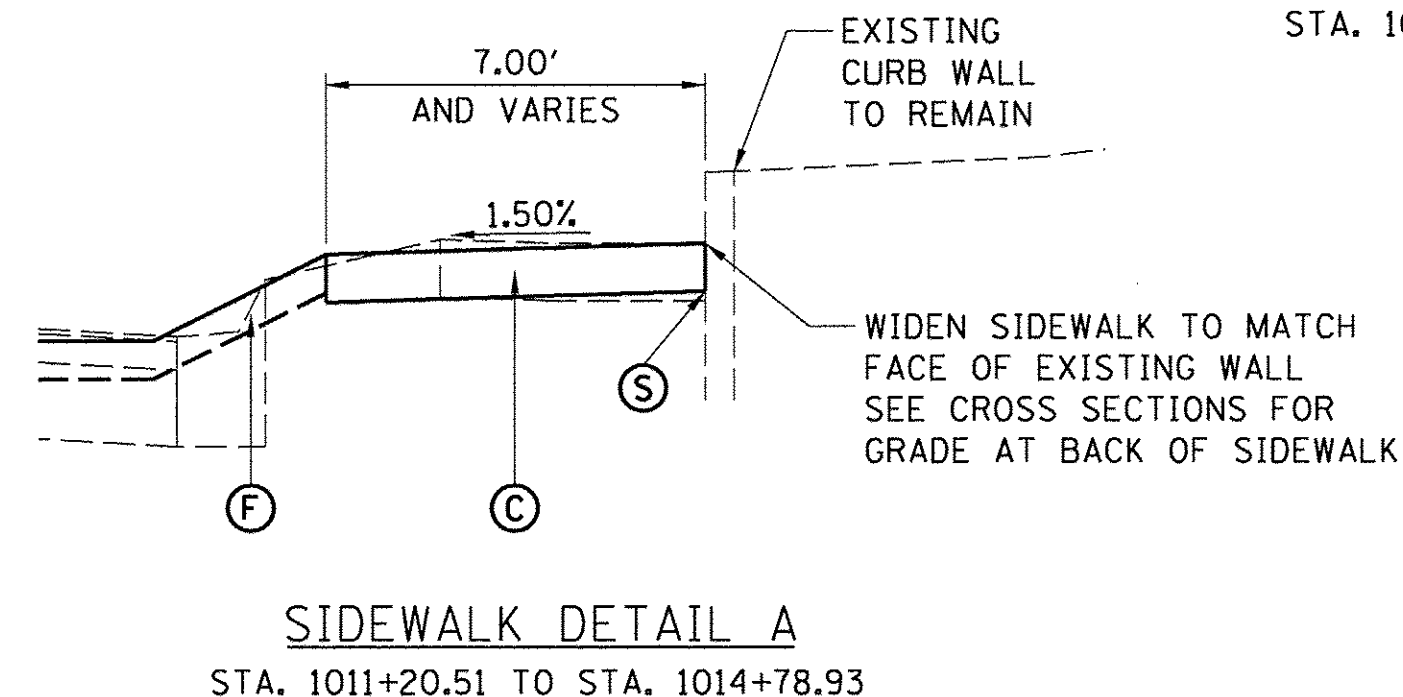
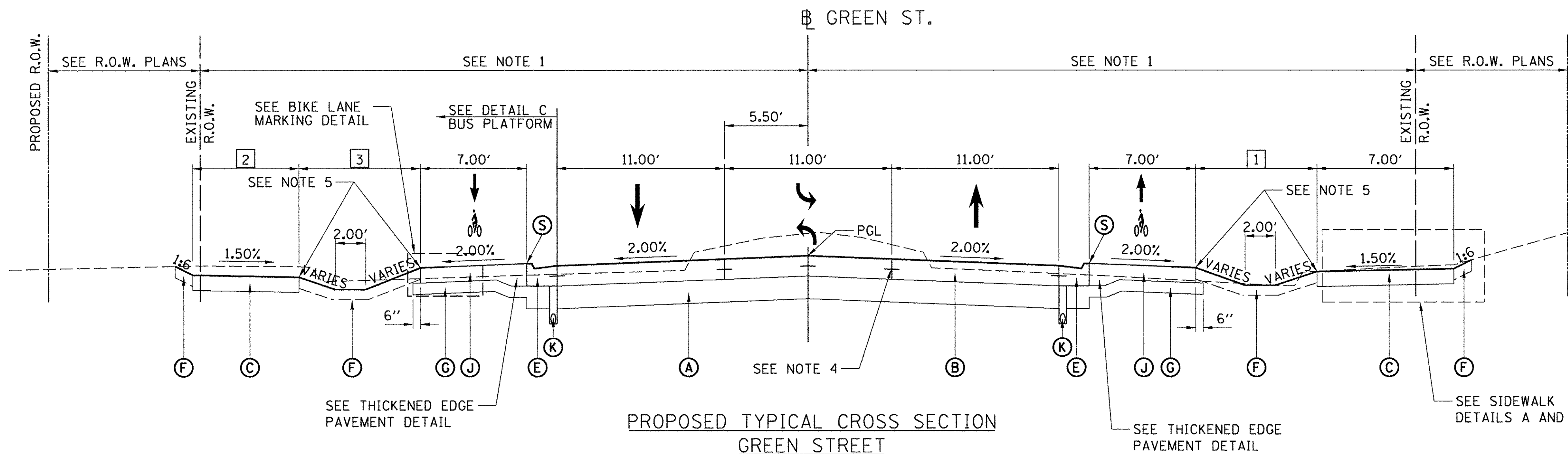
F.A.U. RTE.	SECTION	COUNTY	TOTAL SHEETS	SHEET NO.
7126	15-00304-01-PV	CHAMPAIGN	236	14
MCORE PROJECT 1			CONTRACT NO. 91539	
JOB NO. C-95-305-16 ILLINOIS FED. AID PROJECT TIG-5181057				

GOODWIN AVENUE INTERSECTION OMISSION  
STA 1014+78.93 TO STA 1016+03.00

MATHEWS STREET INTERSECTION OMISSION  
STA 1010+29.77 TO STA 1011+19.77

PROPOSED TYPICAL SECTION KEY (THIS SHEET ONLY)

- (A) AGGREGATE BASE COURSE, TYPE A 12"
- (B) PORTLAND CEMENT CONCRETE PAVEMENT 10.5" (JOINTED)
- (C) PORTLAND CEMENT CONCRETE SIDEWALK 6" OR 8"  
(SEE PLAN AND PROFILE SHEETS FOR LIMITS)
- (D) COMBINATION CONCRETE CURB AND GUTTER, TYPE B-6.12
- (E) COMBINATION CONCRETE CURB AND GUTTER, TYPE M (SPECIAL)-(M-2.18)
- (F) TOPSOIL FURNISH AND PLACE (SEE LANDSCAPE PLANS  
FOR TOPSOIL DEPTHS)
- (G) AGGREGATE BASE COURSE, TYPE A 6"
- (H) POLYMERIZED HOT-MIX ASPHALT SURFACE COURSE, MIX D, N70, 1.5 INCH
- (I) POLYMERIZED HOT-MIX ASPHALT BINDER COURSE, IL-19.0, N70, 2.25 INCH
- (J) PORTLAND CEMENT CONCRETE PAVEMENT 6" (JOINTED)
- (K) PIPE UNDERDRAINS, TYPE 1, 6"
- (L) TRANSIT PLATFORM (SEE NOTE 3)
- (M) POLYMERIZED LEVELING BINDER (MACHINE METHOD), IL-9.5 FG, N70, 0.75"
- (N) PORTLAND CEMENT CONCRETE BASE COURSE WIDENING 12"
- (O) CONCRETE CURB, TYPE B
- (P) FIBER GLASS FABRIC REPAIR SYSTEM
- (R) HOT-MIX ASPHALT SURFACE REMOVAL, 1/2"
- (S) 3/4" EXPANSION JOINT (SEE NOTE 6 AND 7)



NOTES:

1. SEE GRADING AND LAYOUT DETAILS.
2. SEE LANDSCAPE PLANS.
3. SEE BUS PULLOFF, BUS STOP, AND BUS DETAILS.
4. SEE PAVEMENT JOINTING PLAN SHEETS FOR LOCATIONS OF JOINTS AND TIE BARS.
5. SEE CROSS SECTIONS & GRADING AND LAYOUT DETAILS FOR SIDEWALK GRADES.
6. 3/4" EXPANSION JOINTS WITH A REMOVABLE JOINT CAP STRIP WILL NOT BE PAID FOR SEPARATELY BUT SHALL BE INCLUDED IN THE COST OF PORTLAND CEMENT CONCRETE SIDEWALK OF THE THICKNESS SPECIFIED.
7. 3/4" EXPANSION JOINTS SHALL BE PROVIDED WHERE PORTLAND CEMENT CONCRETE PAVEMENT, 6" (JOINTED) IS LOCATED IMMEDIATELY ALONG/ADJACENT TO PORTLAND CEMENT CONCRETE SIDEWALK, DRIVEWAYS, BUS PLATFORMS, AND CURB AND GUTTER. COST INCLUDED IN PROPOSED WORK ITEMS WHERE THIS WILL BE PLACED.
8. THE SQUARE YARD CALCULATION OF AGGREGATE BASE COURSE, TYPE A, OF THE THICKNESS SPECIFIED, WAS CALCULATED TO INCLUDE ADDITIONAL AREA BEYOND THE BACK OF THE CURB AND EDGE OF BIKE LANES AS SHOWN ON THE TYPICAL SECTIONS. THIS AREA WAS ALSO INCLUDED IN THE CU. YD. CALCULATION OF EARTH EXCAVATION.
9. ALL DOWEL AND TIE BARS SHALL BE EPOXY COATED.

- [1] PARKWAY SPACE - RIGHT  
STA. 1007+79.24 TO STA. 1010+29.77 = TRANSITIONS FROM 19.25' TO 15.14'  
STA. 1011+19.77 TO STA. 1014+78.93 = 7.50'
- [2] SIDEWALK WIDTH - LEFT  
STA. 1007+79.24 TO STA. 1010+29.77 = 8.00'  
STA. 1011+19.77 TO STA. 1011+66.19 = 14.00'  
STA. 1011+66.19 TO STA. 1011+61.08 = TRANSITIONS FROM 14.00' TO 7.50'  
STA. 1011+61.08 TO STA. 1014+24.70 = 7.50'  
STA. 1014+24.70 TO STA. 1014+33.66 = TRANSITIONS FROM 7.50' TO 14.00'  
STA. 1014+33.66 TO STA. 1014+78.93 = 14.00'
- [3] PARKWAY SPACE - LEFT  
STA. 1007+79.24 TO STA. 1010+29.77 = 8.00'  
STA. 1011+19.77 TO STA. 1011+27.14 = 8.00'  
STA. 1011+27.14 TO STA. 1011+52.12 = TRANSITIONS FROM 8.00' TO 0.00'  
STA. 1011+52.12 TO STA. 1014+33.66 = 0.00'  
STA. 1014+33.66 TO STA. 1014+58.64 = TRANSITIONS FROM 0.00' TO 8.00'  
STA. 1014+58.64 TO STA. 1014+78.93 = 8.00'
- [4] BUS PLATFORM WIDTH - LEFT (SEE NOTE 3)  
STA. 1011+94.52 TO STA. 1014+00.73 = 11.50'  
STA. 1014+00.73 TO STA. 1014+58.64 = TRANSITIONS FROM 11.50' TO 7.45'
- [5] BUS LANE WIDTH - LEFT (SEE NOTE 3)  
STA. 1011+41.21 TO STA. 1011+62.29 = 0.00'  
STA. 1011+62.29 TO STA. 1012+00.65 = TRANSITIONS FROM 0.00' TO 9.00'  
STA. 1012+00.65 TO STA. 1014+00.73 = 9.00'  
STA. 1014+00.73 TO STA. 1014+57.61 = TRANSITIONS FROM 9.00' TO 0.00'  
STA. 1014+57.61 TO STA. 1014+78.93 = 0.00'

© Copyright Hanson Professional Services Inc. 2016  
HANSON  
Hanson Professional Services Inc.

LAYOUT	RLA	11/24/15
DRAWN	RLA	8/24/16
REVIEWED	MCD	8/25/16

FILE NAME = Z:\Plans\Sheets\Project1\1-P1-sht-ptysec-03.dgn  
PLOT DATE = 8/25/2016 1:25:03 PM

DESIGNED - RLA  
DRAWN - RLA  
CHECKED - MGD  
DATE - 8/26/2016

REVISED -  
REVISED -  
REVISED -  
REVISED -

STATE OF ILLINOIS  
DEPARTMENT OF TRANSPORTATION

PROJECT 1 - GREEN STREET  
PROPOSED TYPICAL SECTIONS

SCALE: N/A SHEET NO. OF SHEETS STA. TO STA.

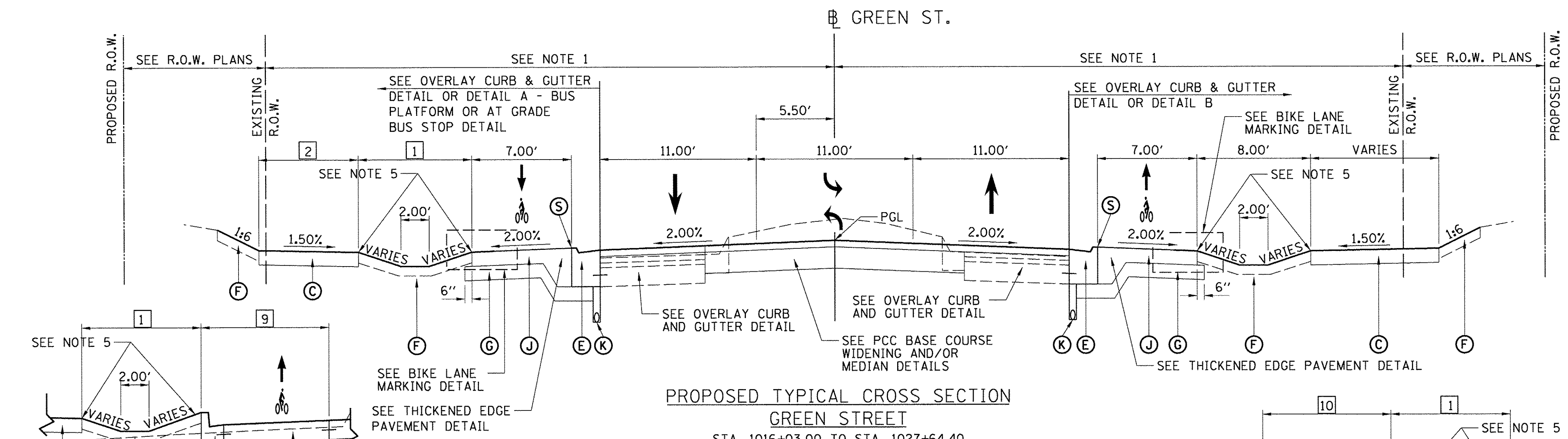
F.A.U. RTE.	SECTION	COUNTY	TOTAL SHEETS	SHEET NO.
7126	15-00304-01-PV	CHAMPAIGN	236	15
MCORE PROJECT 1			CONTRACT NO. 91539	
JOB NO. C-95-305-16 ILLINOIS FED. AID PROJECT TIG-5181(057)				

**PROPOSED TYPICAL SECTION KEY (THIS SHEET ONLY)**

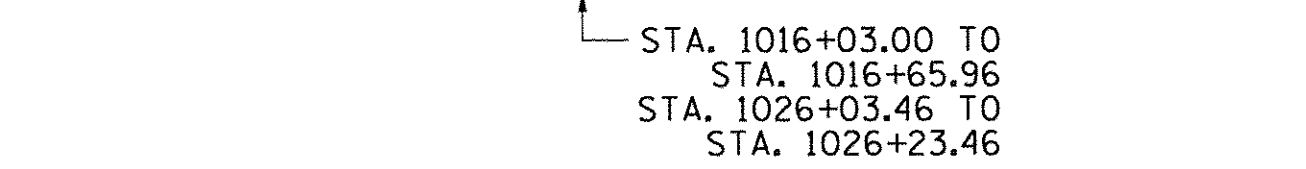
- (A) AGGREGATE BASE COURSE, TYPE A 12"
- (B) PORTLAND CEMENT CONCRETE PAVEMENT 10.5" (JOINTED)
- (C) PORTLAND CEMENT CONCRETE SIDEWALK 6" OR 8" (SEE PLAN AND PROFILE SHEETS FOR LIMITS)
- (D) COMBINATION CONCRETE CURB AND GUTTER, TYPE B-6.12
- (E) COMBINATION CONCRETE CURB AND GUTTER, TYPE M (SPECIAL)-(M-2.18)
- (F) TOPSOIL FURNISH AND PLACE (SEE LANDSCAPE PLANS FOR TOPSOIL DEPTHS)
- (G) AGGREGATE BASE COURSE, TYPE A 6"
- (H) POLYMERIZED HOT-MIX ASPHALT SURFACE COURSE, MIX D, N70, 1.5 INCH
- (I) POLYMERIZED HOT-MIX ASPHALT BINDER COURSE, IL-19.0, N70, 2.25 INCH
- (J) PORTLAND CEMENT CONCRETE PAVEMENT 6" (JOINTED)
- (K) PIPE UNDERDRAINS, TYPE 1, 6"
- (L) TRANSIT PLATFORM (SEE NOTE 3)
- (M) POLYMERIZED LEVELING BINDER (MACHINE METHOD), IL-9.5 FG, N70, 0.75"
- (N) PORTLAND CEMENT CONCRETE BASE COURSE WIDENING 12"
- (O) CONCRETE CURB, TYPE B
- (P) FIBER GLASS FABRIC REPAIR SYSTEM
- (R) HOT-MIX ASPHALT SURFACE REMOVAL, 1/2"
- (S) 3/4" EXPANSION JOINT (SEE NOTE 6 AND 7)

**NOTES:**

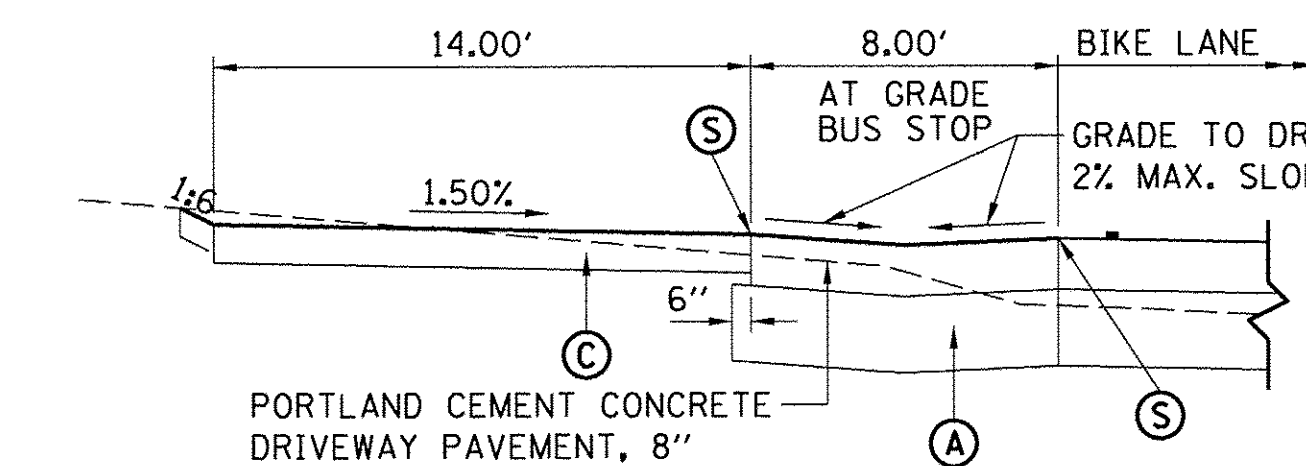
1. SEE GRADING AND LAYOUT DETAILS.
2. SEE LANDSCAPE PLANS.
3. SEE BUS PULLOFF, BUS STOP, AND BUS DETAILS.
4. SEE PAVEMENT JOINTING PLAN SHEETS FOR LOCATIONS OF JOINTS AND TIE BARS.
5. SEE CROSS SECTIONS & GRADING AND LAYOUT DETAILS FOR SIDEWALK GRADES.
6. 3/4" EXPANSION JOINTS WITH A REMOVABLE JOINT CAP STRIP WILL NOT BE PAID FOR SEPARATELY BUT SHALL BE INCLUDED IN THE COST OF PORTLAND CEMENT CONCRETE SIDEWALK OF THE THICKNESS SPECIFIED.
7. 3/4" EXPANSION JOINTS SHALL BE PROVIDED WHERE PORTLAND CEMENT CONCRETE PAVEMENT, 6" (JOINTED) IS LOCATED IMMEDIATELY ALONG/ADJACENT TO PORTLAND CEMENT CONCRETE SIDEWALK, DRIVEWAYS, BUS PLATFORMS, AND CURB AND GUTTER. COST INCLUDED IN PROPOSED WORK ITEMS WHERE THIS WILL BE PLACED.
8. THE SQUARE YARD CALCULATION OF AGGREGATE BASE COURSE, TYPE A, OF THE THICKNESS SPECIFIED, WAS CALCULATED TO INCLUDE ADDITIONAL AREA BEYOND THE BACK OF THE CURB AND EDGE OF BIKE LANES AS SHOWN ON THE TYPICAL SECTIONS. THIS AREA WAS ALSO INCLUDED IN THE CU. YD. CALCULATION OF EARTH EXCAVATION.
9. ALL DOWEL AND TIE BARS SHALL BE EPOXY COATED.



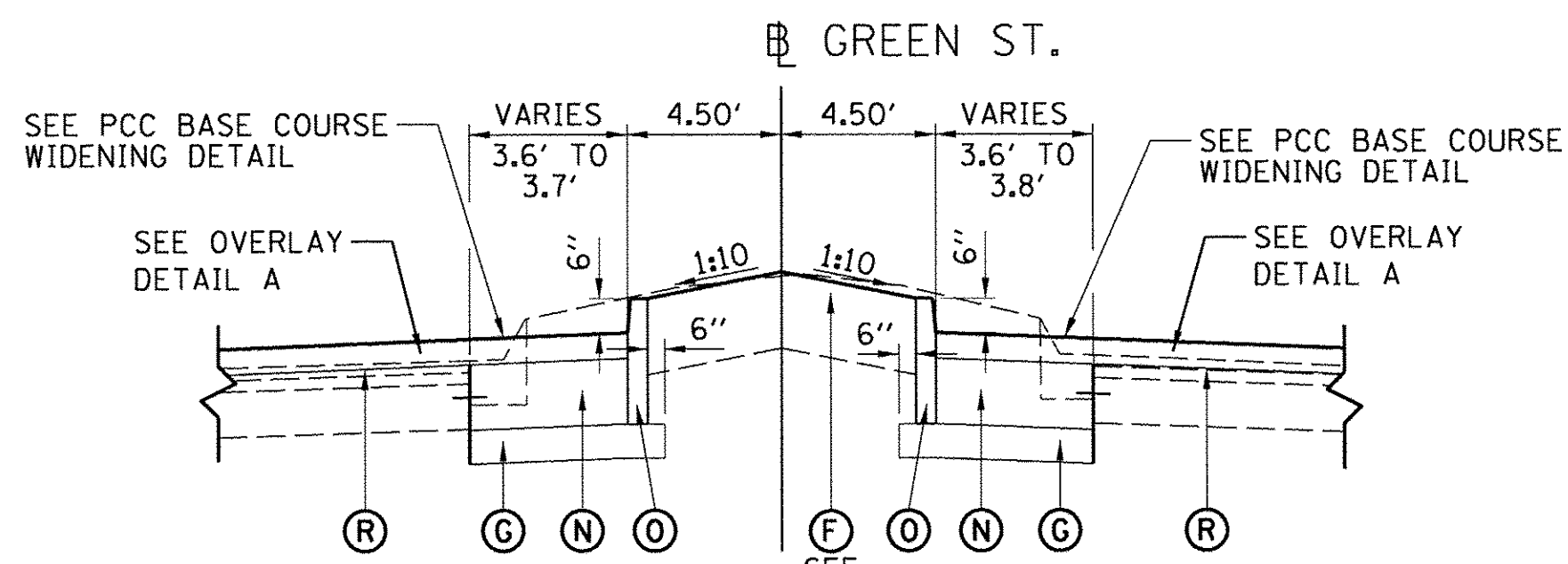
**PROPOSED TYPICAL CROSS SECTION  
 GREEN STREET**  
 STA. 1016+03.00 TO STA. 1027+64.40  
**GREGORY STREET INTERSECTION OMISSION**  
 STA 1024+45.47 TO STA 1025+29.06



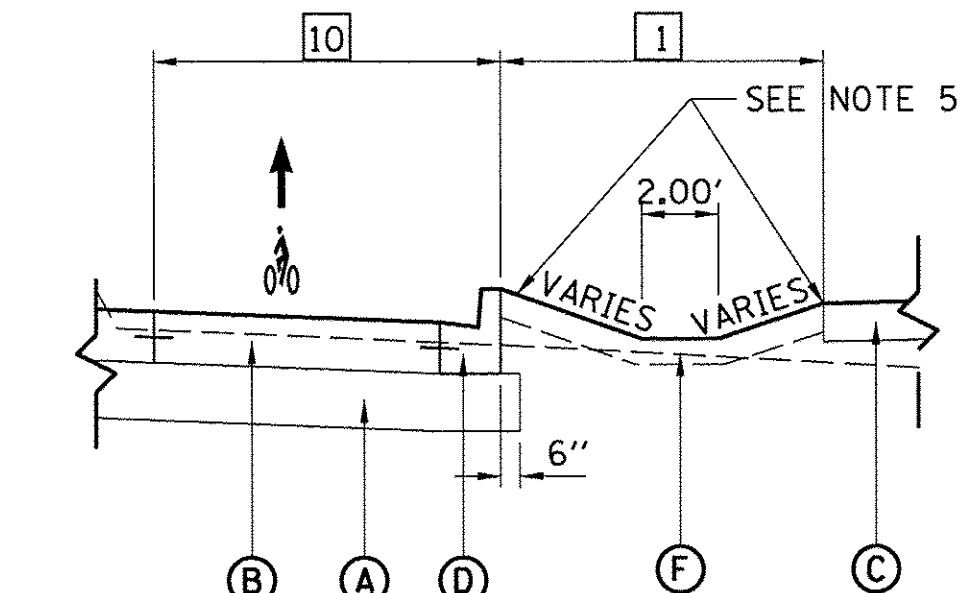
**ON STREET BIKE LANE DETAIL**  
 STA. 1016+03.00 TO STA. 1016+85.96  
 STA. 1025+29.06 TO STA. 1026+23.46



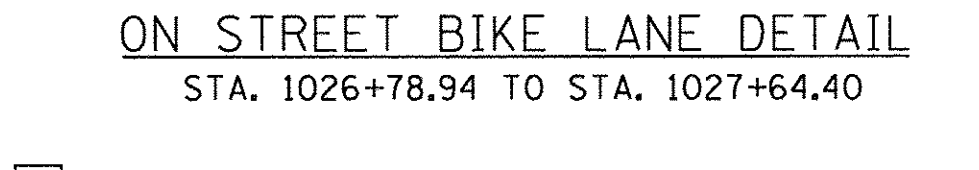
**AT GRADE BUS STOP DETAIL**  
 STA. 1019+23.52 TO STA. 1019+55.26



**MEDIAN DETAIL**  
 STA. 1020+04.59 TO STA. 1021+23.24

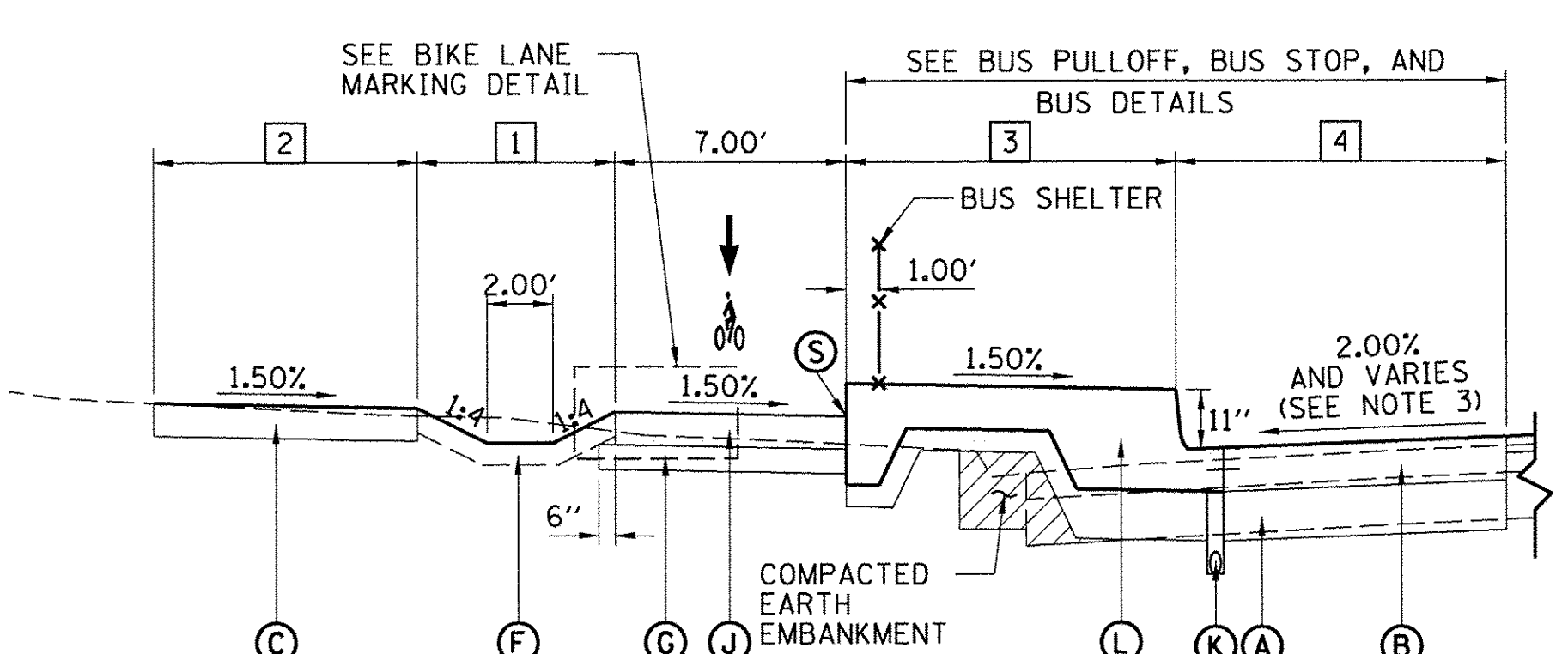


**ON STREET BIKE LANE DETAIL**  
 STA. 1026+78.94 TO STA. 1027+64.40

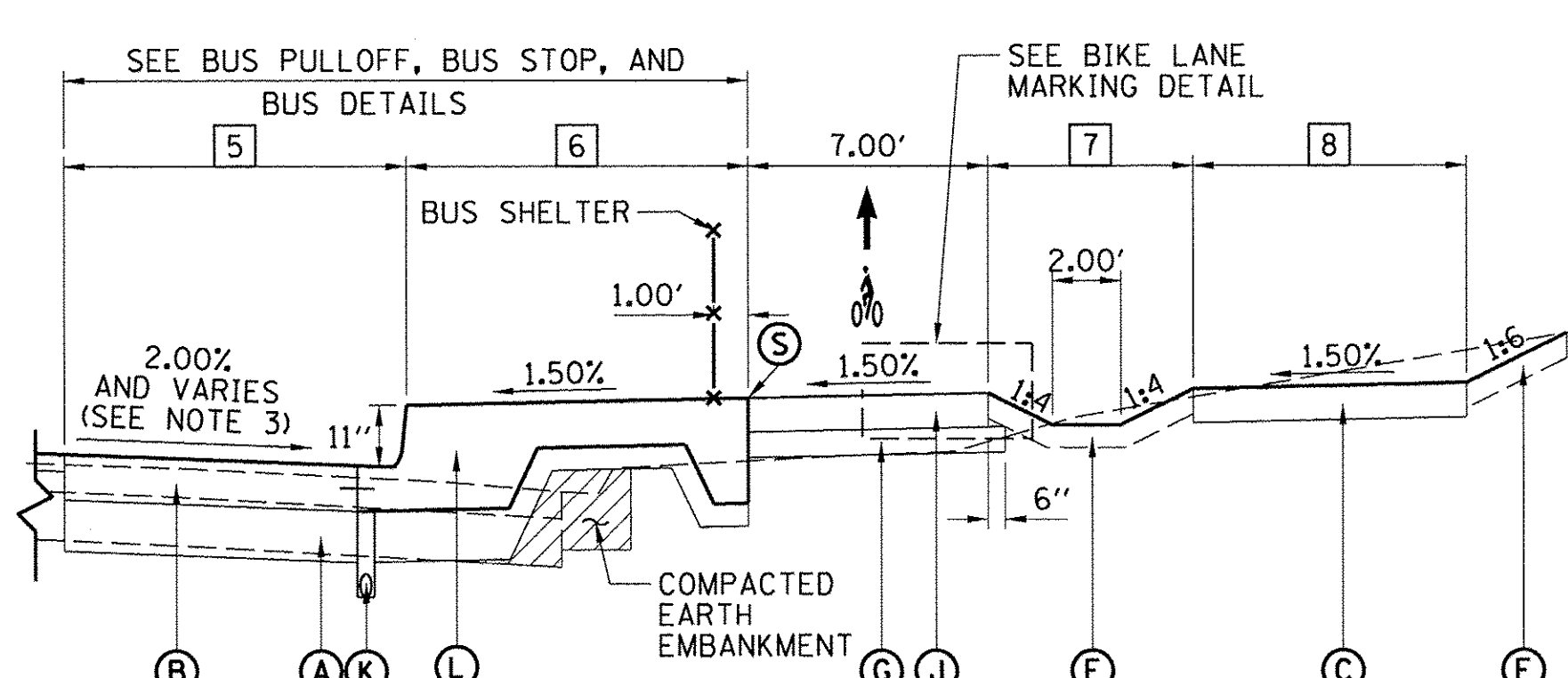


**ON STREET BIKE LANE DETAIL**  
 STA. 1026+98.94 TO STA. 1027+64.40

- 9 ON STREET BIKE LANE WIDTH - LEFT  
 STA. 1016+03.00 TO STA. 1016+65.96 = 7.42'  
 STA. 1016+65.96 TO STA. 1016+85.96 = 9.00'  
 STA. 1025+29.06 TO STA. 1026+03.46 = 9.00'  
 STA. 1026+03.46 TO STA. 1026+23.46 = 7.42'
- 10 ON STREET BIKE LANE WIDTH - RIGHT  
 STA. 1026+78.94 TO STA. 1026+98.94 = 9.00'  
 STA. 1026+98.94 TO STA. 1027+64.40 = 7.42'



**DETAIL A - BUS PLATFORM**  
 STA. 1020+89.01 TO STA. 1022+89.07  
 (SEE NOTE 3)



**DETAIL B - BUS PLATFORM**  
 STA. 1016+37.44 TO STA. 1018+37.50  
 STA. 1023+28.17 TO STA. 1025+21.12  
 (SEE NOTE 3)

- 6 BUS PLATFORM - RIGHT (SEE NOTE 2)  
 STA. 1016+03.00 TO STA. 1017+12.27 = 00.00'  
 STA. 1017+12.27 TO STA. 1017+62.67 = 10.00'  
 STA. 1017+62.67 TO STA. 1024+03.00 = 0.00'  
 STA. 1024+03.00 TO STA. 1024+53.74 = 10.00'  
 STA. 1024+53.74 TO STA. 1025+21.12 = 0.00'

- 7 PARKWAY SPACE - RIGHT  
 STA. 1016+03.00 TO STA. 1016+37.44 = 8.00'  
 STA. 1016+37.44 TO STA. 1016+69.44 = TRANSITIONS FROM 8.00' TO 0.00'  
 STA. 1016+69.44 TO STA. 1018+05.50 = 0.00'  
 STA. 1018+05.50 TO STA. 1018+37.50 = TRANSITIONS FROM 0.00' TO 8.00'  
 STA. 1018+37.50 TO STA. 1023+28.17 = 8.00'  
 STA. 1023+28.17 TO STA. 1023+60.17 = TRANSITIONS FROM 8.00' TO 0.00'  
 STA. 1023+60.17 TO STA. 1024+88.41 = 0.00'  
 STA. 1024+88.41 TO STA. 1025+12.22 = TRANSITIONS FROM 0.00' TO 8.00'  
 STA. 1025+12.22 TO STA. 1027+64.40 = 8.00'

- 8 SIDEWALK WIDTH - RIGHT  
 STA. 1016+03.00 TO STA. 1016+65.67 = 7.00'  
 STA. 1016+65.67 TO STA. 1016+69.44 = TRANSITIONS FROM 7.00' TO 8.00'  
 STA. 1016+69.44 TO STA. 1018+05.50 = 8.00'  
 STA. 1018+05.50 TO STA. 1018+09.27 = TRANSITIONS FROM 8.00' TO 7.00'  
 STA. 1018+09.27 TO STA. 1023+56.29 = 7.00'  
 STA. 1023+56.29 TO STA. 1023+60.17 = TRANSITIONS FROM 7.00' TO 8.00'  
 STA. 1023+60.17 TO STA. 1024+88.41 = 8.00'  
 STA. 1024+88.41 TO STA. 1024+92.39 = TRANSITIONS FROM 8.00' TO 7.00'  
 STA. 1024+92.39 TO STA. 1027+64.40 = 7.00'

- 1 PARKWAY SPACE - LEFT  
 STA. 1016+03.00 TO STA. 1020+89.01 = 8.00'  
 STA. 1020+89.01 TO STA. 1021+21.01 = TRANSITIONS FROM 8.00' TO 0.00'  
 STA. 1021+21.01 TO STA. 1022+57.07 = 0.00'  
 STA. 1022+57.07 TO STA. 1022+89.07 = TRANSITIONS FROM 0.00' TO 8.00'  
 STA. 1022+89.07 TO STA. 1027+64.04 = 8.00'
- 2 SIDEWALK WIDTH - LEFT  
 STA. 1016+03.00 TO STA. 1020+89.01 = 8.00'  
 STA. 1020+89.01 TO STA. 1021+21.01 = TRANSITION FROM 8.00' TO 0.00'  
 STA. 1021+21.01 TO STA. 1022+57.07 = 0.00'  
 STA. 1022+57.07 TO STA. 1022+89.07 = TRANSITION FROM 0.00' TO 8.00'  
 STA. 1022+89.07 TO STA. 1027+64.40 = 8.00'
- 3 BUS PLATFORM - LEFT (SEE NOTE 3)  
 STA. 1020+89.01 TO STA. 1021+63.84 = 0.00'  
 STA. 1021+63.84 TO STA. 1022+14.25 = 11.50'  
 STA. 1022+14.25 TO STA. 1022+89.07 = 0.00'
- 4 BUS LANE - LEFT (SEE NOTE 3)  
 STA. 1020+89.01 TO STA. 1021+28.97 = 0.00'  
 STA. 1021+28.97 TO STA. 1021+64.08 = TRANSITIONS FROM 0.00' TO 9.00'  
 STA. 1021+64.08 TO STA. 1022+28.69 = 9.00'  
 STA. 1022+28.69 TO STA. 1022+83.59 = TRANSITIONS FROM 9.00' TO 0.00'  
 STA. 1022+83.59 TO STA. 1022+89.07 = 0.00'
- 5 BUS LANE - RIGHT (SEE NOTE 3)  
 STA. 1016+37.44 TO STA. 1016+42.92 = 0.00'  
 STA. 1016+42.92 TO STA. 1016+97.82 = TRANSITIONS FROM 0.00' TO 9.00'  
 STA. 1016+97.82 TO STA. 1017+62.43 = 9.00'  
 STA. 1017+62.43 TO STA. 1017+97.54 = TRANSITIONS FROM 9.00' TO 0.00'  
 STA. 1017+97.54 TO STA. 1023+33.65 = 0.00'  
 STA. 1023+33.65 TO STA. 1023+88.55 = TRANSITIONS FROM 0.00' TO 9.00'  
 STA. 1023+88.55 TO STA. 1024+53.41 = 9.00'  
 STA. 1024+53.41 TO STA. 1024+87.60 = TRANSITIONS FROM 9.00' TO 0.00'  
 STA. 1024+87.60 TO STA. 1027+64.00 = 0.00'

LAYOUT	8/25/16	8/25/16
DRAWN	RLA	8/25/16
REVIEWED	MGD	8/25/16

FILE NAME =	Z:\Plans\sheets\Project1\P1-sht-ptypsec-04.dgn
PLOT DATE =	8/25/2016 1:25:10 PM

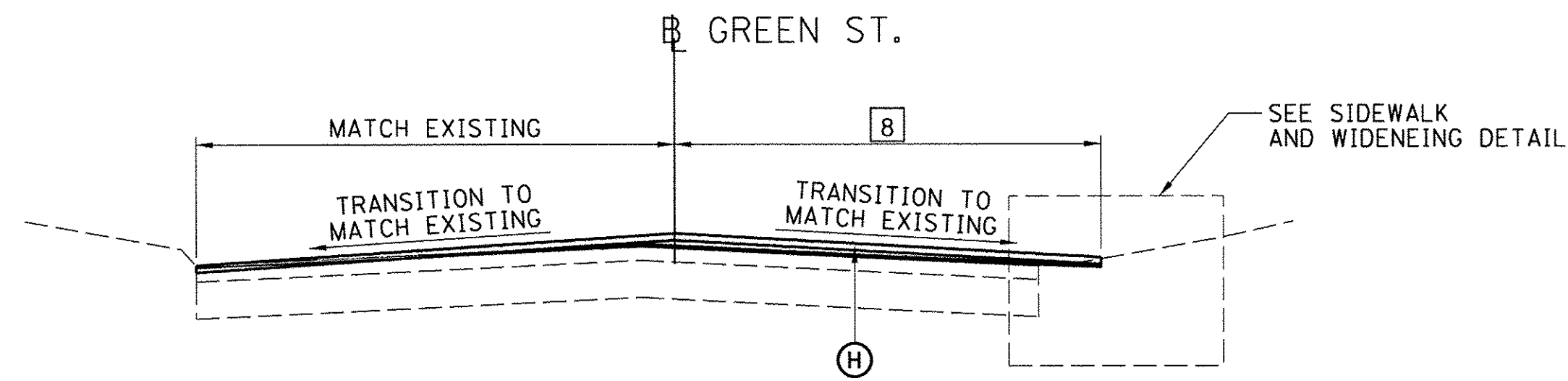
DESIGNED -	RLA	REVISED -	
DRAWN -	RLA	REVISED -	
CHECKED -	MGD	REVISED -	
DATE -	8/26/2016	REVISED -	

STATE OF ILLINOIS  
 DEPARTMENT OF TRANSPORTATION

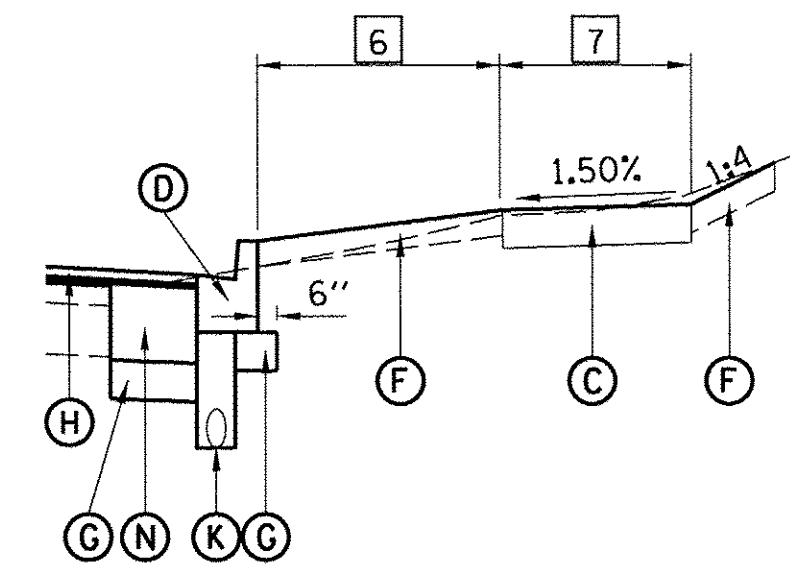
PROJECT 1 - GREEN STREET			
PROPOSED TYPICAL SECTIONS			
SCALE: N/A	SHEET NO. OF SHEETS	STA. TO STA.	

F.A.U. RTE.	SECTION	COUNTY	TOTAL SHEETS	SHEET NO.
7126	15-00304-01-PV	CHAMPAIGN	236	16
MCORE PROJECT 1			CONTRACT NO. 91539	
JOB NO. C-95-305-16   ILLINOIS FED. AID PROJECT TIG-5181(057)				

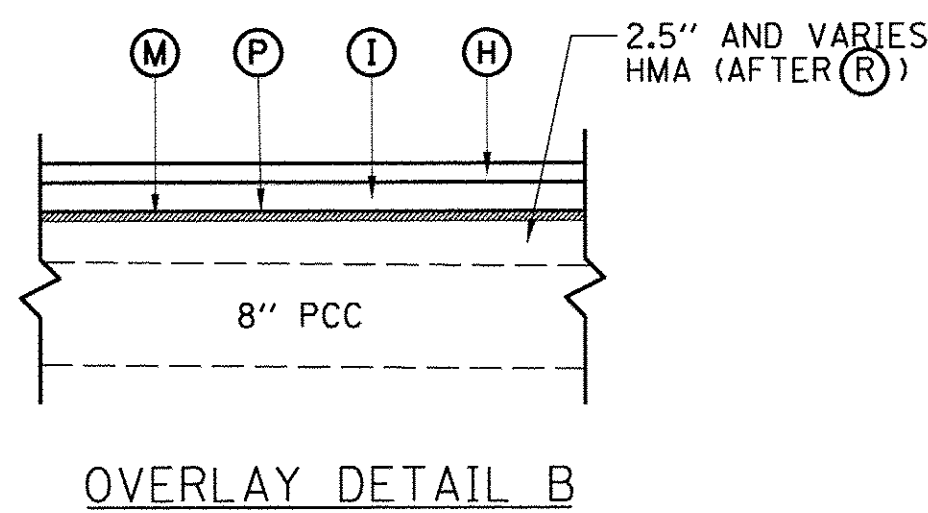




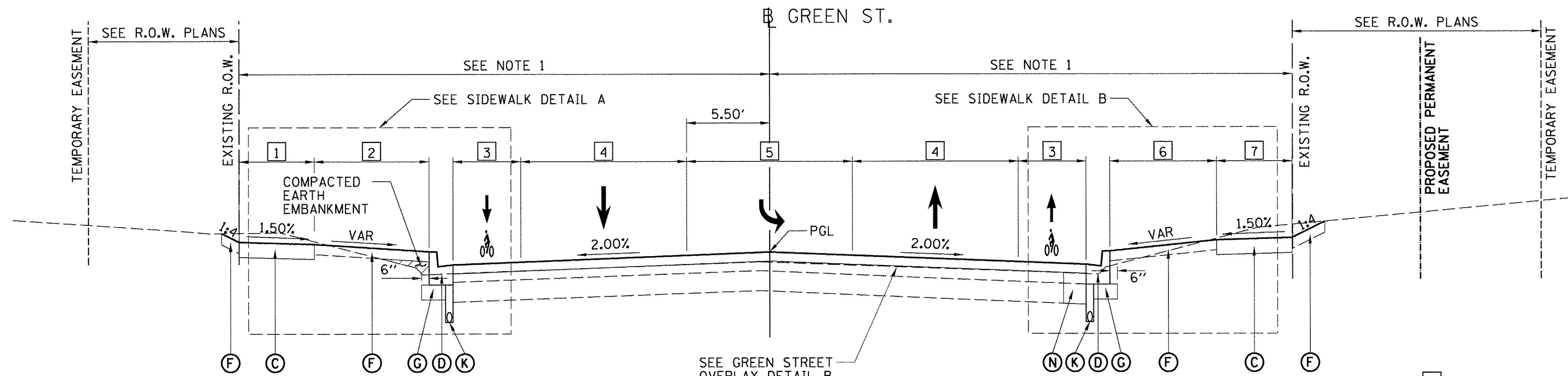
**PROPOSED TYPICAL CROSS SECTION  
 GREEN STREET**  
 STA. 1031+17.50 TO STA. 1031+97.50



**SIDEWALK AND WIDENING DETAIL**  
 STA. 1031+17.50 TO STA. 1031+65.34

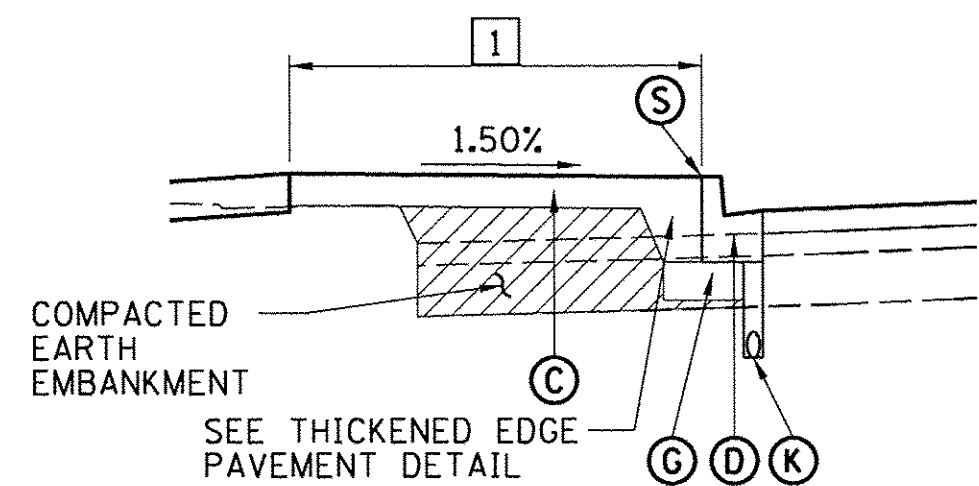


**OVERLAY DETAIL B**

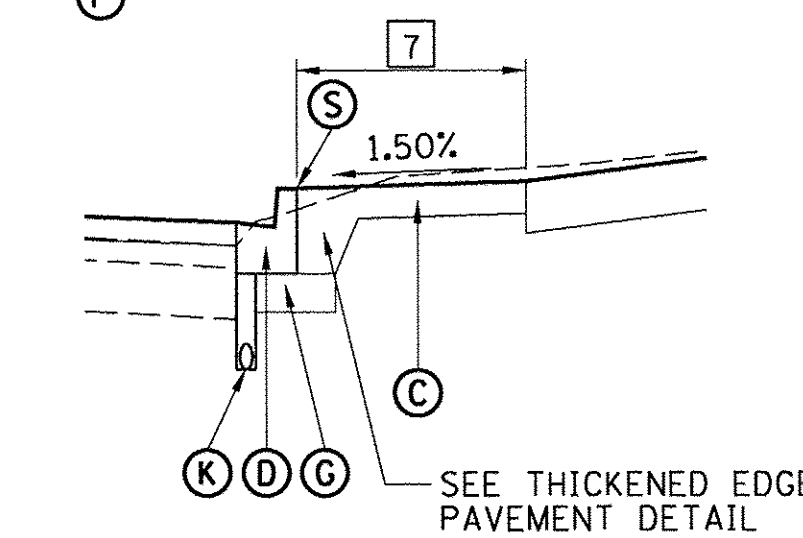


**PROPOSED TYPICAL CROSS SECTION  
 GREEN STREET**  
 STA. 1029+23.11 TO STA. 1031+17.50

**LINCOLN AVENUE INTERSECTION OMISSION**  
 STA 1027+64.40 TO STA 1029+23.11



**SIDEWALK DETAIL A**  
 STA. 1029+23.11 TO STA. 1029+84.67



**SIDEWALK DETAIL B**  
 STA. 1029+23.11 TO STA. 1030+48.92

- PROPOSED TYPICAL SECTION KEY (THIS SHEET ONLY)**
- (A) AGGREGATE BASE COURSE, TYPE A 12"
  - (B) PORTLAND CEMENT CONCRETE PAVEMENT 10.5" (JOINTED)
  - (C) PORTLAND CEMENT CONCRETE SIDEWALK 6" OR 8"  
(SEE PLAN AND PROFILE SHEETS FOR LIMITS)
  - (D) COMBINATION CONCRETE CURB AND GUTTER, TYPE B-6.12
  - (E) COMBINATION CONCRETE CURB AND GUTTER, TYPE M (SPECIAL)-(M-2.18)
  - (F) TOPSOIL FURNISH AND PLACE (SEE LANDSCAPE PLANS  
FOR TOPSOIL DEPTHS)
  - (G) AGGREGATE BASE COURSE, TYPE A 6"
  - (H) POLYMERIZED HOT-MIX ASPHALT SURFACE COURSE, MIX D, N70, 1.5 INCH
  - (I) POLYMERIZED HOT-MIX ASPHALT BINDER COURSE, IL-19.0, N70, 2.25 INCH
  - (J) PORTLAND CEMENT CONCRETE PAVEMENT 6" (JOINTED)
  - (K) PIPE UNDERDRAINS, TYPE 1, 6"
  - (L) TRANSIT PLATFORM (SEE NOTE 3)
  - (M) POLYMERIZED LEVELING BINDER (MACHINE METHOD), IL-9.5 FG, N70, 0.75"
  - (N) PORTLAND CEMENT CONCRETE BASE COURSE WIDENING 12"
  - (O) CONCRETE CURB, TYPE B
  - (P) FIBER GLASS FABRIC REPAIR SYSTEM
  - (R) HOT-MIX ASPHALT SURFACE REMOVAL, 1/2"
  - (S) 3/4" EXPANSION JOINT (SEE NOTE 6 AND 7)

**NOTES:**

1. SEE GRADING AND LAYOUT DETAILS.
2. SEE LANDSCAPE PLANS.
3. SEE BUS PULLOFF, BUS STOP, AND BUS DETAILS.
4. SEE PAVEMENT JOINTING PLAN SHEETS FOR LOCATIONS OF JOINTS AND TIE BARS.
5. SEE CROSS SECTIONS & GRADING AND LAYOUT DETAILS FOR SIDEWALK GRADES.
6. 3/4" EXPANSION JOINTS WITH A REMOVABLE JOINT CAP STRIP WILL NOT BE PAID FOR SEPARATELY BUT SHALL BE INCLUDED IN THE COST OF PORTLAND CEMENT CONCRETE SIDEWALK OF THE THICKNESS SPECIFIED.
7. 3/4" EXPANSION JOINTS SHALL BE PROVIDED WHERE PORTLAND CEMENT CONCRETE PAVEMENT, 6" (JOINTED) IS LOCATED IMMEDIATELY ALONG/ADJACENT TO PORTLAND CEMENT CONCRETE SIDEWALK, DRIVEWAYS, BUS PLATFORMS, AND CURB AND GUTTER. COST INCLUDED IN PROPOSED WORK ITEMS WHERE THIS WILL BE PLACED.
8. THE SQUARE YARD CALCULATION OF AGGREGATE BASE COURSE, TYPE A, OF THE THICKNESS SPECIFIED, WAS CALCULATED TO INCLUDE ADDITIONAL AREA BEYOND THE BACK OF THE CURB AND EDGE OF BIKE LANES AS SHOWN ON THE TYPICAL SECTIONS. THIS AREA WAS ALSO INCLUDED IN THE CU. YD. CALCULATION OF EARTH EXCAVATION.
9. ALL DOWEL AND TIE BARS SHALL BE EPOXY COATED.

- 1 SIDEWALK WIDTH - LEFT  
STA. 1029+23.11 TO STA. 1029+84.67 = TRANSITION FROM 11.02' TO 10.20'  
STA. 1029+84.67 TO STA. 1031+17.50 = 5.00'
- 2 PARKWAY SPACE - LEFT  
STA. 1029+23.11 TO STA. 1029+84.67 = 0.00'  
STA. 1029+84.67 TO STA. 1030+22.40 = TRANSITIONS FROM 5.20' TO 4.70'  
STA. 1030+22.40 TO STA. 1031+17.50 = TRANSITIONS FROM 4.70' TO 8.79'
- 3 BIKE PATH WIDTH - LEFT/RIGHT  
STA. 1029+23.11 TO STA. 1030+22.40 = 5.00'  
STA. 1030+22.40 TO STA. 1031+17.50 = TRANSITIONS FROM 5.00' TO 4.50'
- 4 LANE WIDTH - LEFT/RIGHT  
STA. 1029+23.11 TO STA. 1030+22.40 = 11.00'  
STA. 1030+22.40 TO STA. 1031+17.50 = TRANSITIONS FROM 11.00' TO 10.50'
- 5 CENTER TURN LANE WIDTH  
STA. 1029+23.11 TO STA. 1030+22.40 = 11.00'  
STA. 1030+22.40 TO STA. 1031+37.40 = TRANSITIONS FROM 11.00' TO 0.00'
- 6 PARKWAY SPACE - RIGHT  
STA. 1029+23.11 TO STA. 1030+49.40 = 0.00'  
STA. 1030+49.40 TO STA. 1031+17.50 = TRANSITIONS FROM 0.00' TO 6.20'
- 7 SIDEWALK - RIGHT  
STA. 1029+23.11 TO STA. 1030+48.92 = 6.00'  
STA. 1030+48.92 TO STA. 1030+63.35 = TRANSITIONS FROM 6.00' TO 5.00'  
STA. 1030+63.35 TO STA. 1031+23.96 = 5.00'
- 8 PAVEMENT WIDTH - RIGHT  
STA. 1031+17.50 TO STA. 1031+65.34 = TRANSITIONS FROM 16.12' TO 13.42'  
STA. 1031+65.34 TO STA. 1031+97.50= MATCH EXISTING

LAYOUT	RLA	11/24/15
DRAWN	RLA	2/4/16
REVIEWED	MGD	3/22/16

FILE NAME =  
 Z:\P1ans\sheets\Project1\P1-sht-ptysec-05.dgn  
 PLOT DATE =  
 8/25/2016 1:25:16 PM

DESIGNED - RLA  
 DRAWN - RLA  
 CHECKED - MGD  
 DATE - 8/26/2016

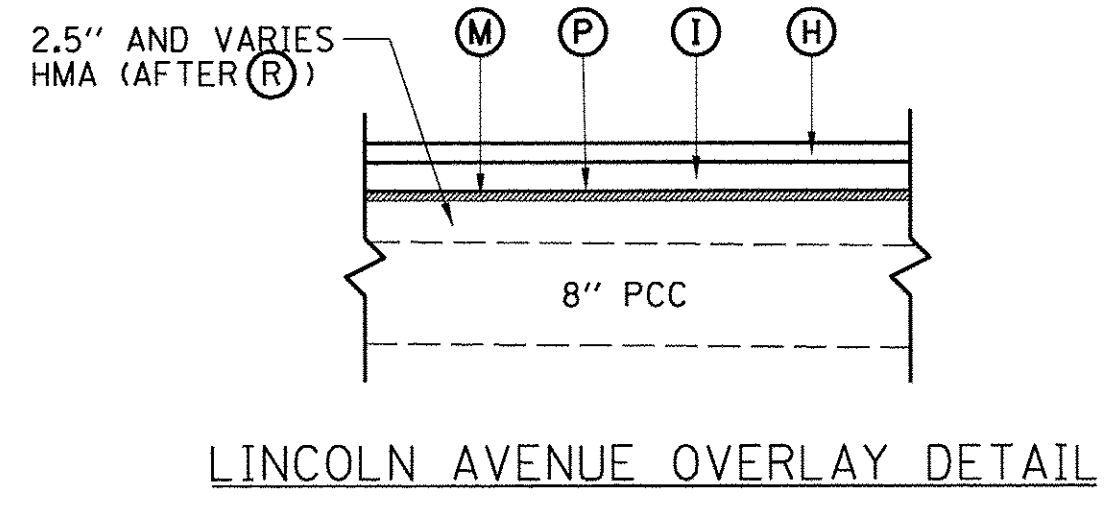
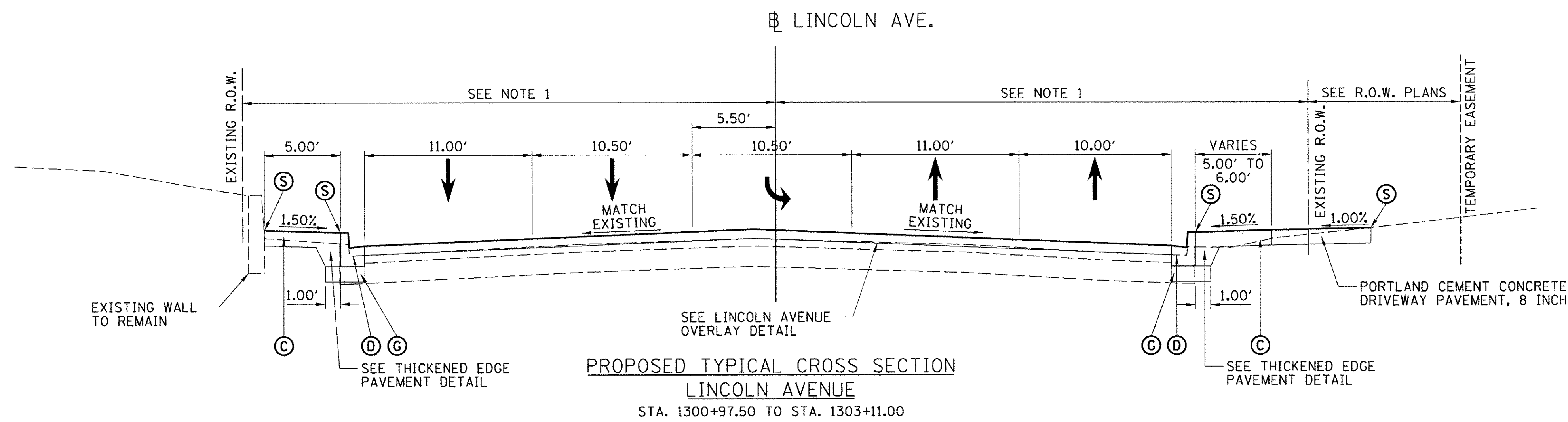
REVISED -  
 REVISED -  
 REVISED -  
 REVISED -

STATE OF ILLINOIS  
 DEPARTMENT OF TRANSPORTATION

PROJECT 1 - GREEN STREET  
 PROPOSED TYPICAL SECTIONS

SCALE: N/A SHEET NO. OF SHEETS STA. TO STA.

F.A.U. RTE.	SECTION	COUNTY	TOTAL SHEETS	SHEET NO.
7126	15-00304-01-PV	CHAMPAIGN	236	17
MCORE PROJECT 1			CONTRACT NO. 91539	
JOB NO. C-95-305-16 ILLINOIS FED. AID PROJECT TIG-5181(057)				



- PROPOSED TYPICAL SECTION KEY (THIS SHEET ONLY)**
- (A) AGGREGATE BASE COURSE, TYPE A 12"
  - (B) PORTLAND CEMENT CONCRETE PAVEMENT 10.5" (JOINTED)
  - (C) PORTLAND CEMENT CONCRETE SIDEWALK 6" OR 8" (SEE PLAN AND PROFILE SHEETS FOR LIMITS)
  - (D) COMBINATION CONCRETE CURB AND GUTTER, TYPE B-6.12
  - (E) COMBINATION CONCRETE CURB AND GUTTER, TYPE M (SPECIAL)-(M-2.18)
  - (F) TOPSOIL FURNISH AND PLACE (SEE LANDSCAPE PLANS FOR TOPSOIL DEPTHS)
  - (G) AGGREGATE BASE COURSE, TYPE A 6"
  - (H) POLYMERIZED HOT-MIX ASPHALT SURFACE COURSE, MIX D, N70, 1.5 INCH
  - (I) POLYMERIZED HOT-MIX ASPHALT BINDER COURSE, IL-19.0, N70, 2.25 INCH
  - (J) PORTLAND CEMENT CONCRETE PAVEMENT 6" (JOINTED)
  - (K) PIPE UNDERDRAINS, TYPE 1, 6"
  - (L) TRANSIT PLATFORM (SEE NOTE 3)
  - (M) POLYMERIZED LEVELING BINDER (MACHINE METHOD), IL-9.5 FG, N70, 0.75"
  - (N) PORTLAND CEMENT CONCRETE BASE COURSE WIDENING 12"
  - (O) CONCRETE CURB, TYPE B
  - (P) FIBER GLASS FABRIC REPAIR SYSTEM
  - (R) HOT-MIX ASPHALT SURFACE REMOVAL, 1/2"
  - (S) 3/4" EXPANSION JOINT (SEE NOTE 6 AND 7)

- NOTES:**
1. SEE GRADING AND LAYOUT DETAILS.
  2. SEE LANDSCAPE PLANS.
  3. SEE BUS PULLOFF, BUS STOP, AND BUS DETAILS.
  4. SEE PAVEMENT JOINTING PLAN SHEETS FOR LOCATIONS OF JOINTS AND TIE BARS.
  5. SEE CROSS SECTIONS & GRADING AND LAYOUT DETAILS FOR SIDEWALK GRADES.
  6. 3/4" EXPANSION JOINTS WITH A REMOVABLE JOINT CAP STRIP WILL NOT BE PAID FOR SEPARATELY BUT SHALL BE INCLUDED IN THE COST OF PORTLAND CEMENT CONCRETE SIDEWALK OF THE THICKNESS SPECIFIED.
  7. 3/4" EXPANSION JOINTS SHALL BE PROVIDED WHERE PORTLAND CEMENT CONCRETE PAVEMENT, 6" (JOINTED) IS LOCATED IMMEDIATELY ALONG/ADJACENT TO PORTLAND CEMENT CONCRETE SIDEWALK, DRIVEWAYS, BUS PLATFORMS, AND CURB AND GUTTER. COST INCLUDED IN PROPOSED WORK ITEMS WHERE THIS WILL BE PLACED.
  8. THE SQUARE YARD CALCULATION OF AGGREGATE BASE COURSE, TYPE A, OF THE THICKNESS SPECIFIED, WAS CALCULATED TO INCLUDE ADDITIONAL AREA BEYOND THE BACK OF THE CURB AND EDGE OF BIKE LANES AS SHOWN ON THE TYPICAL SECTIONS. THIS AREA WAS ALSO INCLUDED IN THE CU. YD. CALCULATION OF EARTH EXCAVATION.
  9. ALL DOWEL AND TIE BARS SHALL BE EPOXY COATED.

LAYOUT	RLA	11/24/15
DRAWN	RLA	2/4/16
REVIEWED	MGD	3/22/16

FILE NAME = Z:\P1ans\sheets\Project1\P1-sht-ptypsec-06.dgn	DESIGNED - RLA	REVISED -
PLOT DATE = 8/25/2016 1:25:19 PM	DRAWN - RLA	REVISED -
	CHECKED - MGD	REVISED -
	DATE - 8/26/2016	REVISED -

STATE OF ILLINOIS  
DEPARTMENT OF TRANSPORTATION

PROJECT 1 - LINCOLN AVENUE  
PROPOSED TYPICAL SECTIONS

SCALE: N/A	SHEET NO. OF SHEETS	STA. TO STA.
------------	---------------------	--------------

F.A.U. RTE.	SECTION	COUNTY	TOTAL SHEETS	SHEET NO.
7126	15-00304-01-PV	CHAMPAIGN	236	18
MCORE PROJECT 1		CONTRACT NO. 91539		
JOB NO. C-95-305-16   ILLINOIS FED. AID PROJECT TIG-5181(057)				



# SCHEDULE OF QUANTITIES

PAVEMENT AND PATCHING SCHEDULE																	
LOCATION		35100500	35101100	35300700	35400520	40600295	40600839	40603235	40603540	42000101	42000301	42000511	42001300	44200994	44200998	44201000	44400100
		AGGREGATE BASE COURSE, TYPE A 6"	AGGREGATE BASE COURSE, TYPE A 12"	PORTLAND CEMENT CONCRETE BASE COURSE 12"	PORTLAND CEMENT CONCRETE BASE COURSE WIDENING 12"	POLYMERIZED BITUMINOUS MATERIALS (TACK COAT)	POLYMERIZED LEVELING BINDER (MACHINE METHOD), IL-9.5FG, N70	POLYMERIZED HOT-MIX ASPHALT BINDER COURSE, IL-19.0, N70	POLYMERIZED HOT-MIX ASPHALT SURFACE COURSE, MIX "D", N70	PORTLAND CEMENT CONCRETE PAVEMENT 6" (JOINTED)	PORTLAND CEMENT CONCRETE PAVEMENT 8" (JOINTED)	PORTLAND CEMENT CONCRETE PAVEMENT 10 1/2" (JOINTED)	PROTECTIVE COAT	CLASS B PATCHES, TYPE II, 12 INCH	CLASS B PATCHES, TYPE III, 12 INCH	CLASS B PATCHES, TYPE IV, 12 INCH	FIBER GLASS FABRIC REPAIR SYSTEM
BEGIN STATION	END STATION	SQ YD	SQ YD	SQ YD	SQ YD	POUND	TON	TON	TON	SQ YD	SQ YD	SQ YD	SQ YD	SQ YD	SQ YD	SQ YD	SQ YD
GREEN STREET																	
1001+71.29	1006+00.00	676	2497							535		2193	2728	13			
1006+00.00	1011+50.00	706	3116	161						573		2964	3537				
1011+50.00	1017+50.00	836	3248		109	545	16	76	51	631		2987	3618				607
1017+50.00	1023+50.00	2220	170		929	1,875	343	262	175	707		128	835	12			2083
1023+50.00	1029+50.00	1075	131		259	3,536	131	495	330	423		101	524	24	19	98	3929
1029+50.00	1031+97.50	156			60	732	20	94	86						21	27	743
UNION		194	2880								2564		2,564				
CONTINGENCY														199	399		
FROM CURB AND MEDIAN													1,917				
FROM WATERMAIN																368	
TOTAL		5,863	12,042	161	1,357	6,688	510	927	642	2,869	2,564	8,373	15,723	248	439	493	7,362

SIDEWALK, DRIVEWAY, CURB, AND MEDIAN SCHEDULE																		
LOCATION		42001300	42300400	42400300	42400410	42400800	60108106	60600605	60603800	60604400	60619600	X5030225	X6061815	XX000300	XX002090	XX003000	XX006496	Z0042300
		PROTECTIVE COAT	PORTLAND CEMENT CONCRETE DRIVEWAY PAVEMENT, 8 INCH	PORTLAND CEMENT CONCRETE SIDEWALK 6 INCH	PORTLAND CEMENT CONCRETE SIDEWALK 8 INCH	DETECTABLE WARNINGS	PIPE UNDERDRAINS, TYPE 1, 6"	CONCRETE CURB, TYPE B	COMBINATION CONCRETE CURB AND GUTTER, TYPE B-6.12	COMBINATION CONCRETE CURB AND GUTTER, TYPE B-6.18	CONCRETE MEDIAN, TYPE SB-6.12	CONCRETE STRUCTURES (SPECIAL)	COMBINATION CONCRETE CURB AND GUTTER, TYPE M (SPECIAL)	CONCRETE STEPS	STAIR SIDE RAILING	CLASS SI CONCRETE STEPS	PORTLAND CEMENT CONCRETE SIDEWALK AND CURB WALL	PORTLAND CEMENT CONCRETE SIDEWALK CURB
BEGIN STATION	END STATION	SQ YD	SQ YD	SQ FT	SQ FT	SQ FT	FOOT	FOOT	FOOT	FOOT	SQ FT	CU YD	FOOT	SQ FT	FOOT	CU YD	CU YD	FOOT
GREEN STREET																		
1001+71.29	1006+00.00	271	216	1,098	11956	386	609		186	253	426		431					358
1006+00.00	1011+50.00	298	262	5,038	5707	265	745		572	30	80		591					30
1011+50.00	1017+50.00	279		5,324	6713	309	778		526	152			451	56	50			
1017+50.00	1023+50.00	330	671	6,264	4629	139	1,156	212	102	104	4		1050	86	4	12		23
1023+50.00	1029+50.00	324	440	8,992		308	771		803	81			461					
1029+50.00	1033+55.00	89	291	1,414			116		383									
UNION		326		4,897		87			1407					56				
FROM TRANSIT				2,356		1,669												
FROM TRAFFIC CONTROL									108									
TOTAL		1,917	1,880	35,383	29,005	3,163	4,175	212	3,985	618	610	4	2,984	56	192	4	12	411

TRANSIT PAY ITEM SCHEDULE													
LOCATION		35100300	42400300	42400800	50900805	50901760	XX008263	X6061700	XX009125	XX009127	XX009132		
		AGGREGATE BASE COURSE, TYPE A 4"	PORTLAND CEMENT CONCRETE SIDEWALK 6 INCH	DETECTABLE WARNINGS	PEDESTRIAN RAILING	PIPE HANDRAIL	PORTLAND CEMENT CONCRETE PLATFORM (SPECIAL)	COMBINATION CONCRETE CURB AND GUTTER, TYPE B (SPECIAL)	BUS SHELTER, TYPE 1	BUS SHELTER, TYPE 2	BUS SHELTER, TYPE 4		
BEGIN STATION	END STATION	LT/RT	BUS STOP	SQ YD	SQ FT	SQ FT	FOOT	FOOT	SQ FT	FOOT	EACH	EACH	EACH
GREEN STREET													
1003+35.77	1004+45.57	LT	ILLINI UNION - WB	141	371	240	106	28	1265	130			1
1004+97.49	1006+28.93	LT	ILLINI UNION - WB (CENTER)	166	171	260	69	33	1495	130		1	1
1005+30.49	1007+50.49	RT	ILLINI UNION - EB	275	347	462	143	32	2475	235			2
1012+07.52	1013+77.52	LT	GOODWIN - WB	217	573	396	225		1955	190			1
1017+22.67	1017+62.67	RT	GOODWIN - EB	52	298	103	112		472	60			
1021+63.84	1022+03.84	LT	GREGORY - WB	52	298	104	99		472	60	1		
1024+13.41	1024+53.41	RT	GREGORY - EB	52	298	104	112		472	60			
TOTAL				955	2,356	1,669	866	93	8,606	865	1	1	5

BOLLARD SCHEDULE					
LOCATION			X0350805	Z0004002	
			FOLD DOWN BOLLARDS	BOLLARDS	
STATION	OFFSET	LT/RT	EACH	EACH	
GREEN STREET					
1004+88.00	42.86	LT	1		
1004+98.39	46.07	LT	1		
NORTHING					
EASTING					
1254106.23	1014296.97			1	
1254106.4	1014307.04			1	
1254094.41	1014307.35			1	
1254082.40	1014307.65			1	
1254070.39	1014307.95			1	
1254058.39	1014308.25			1	
1254055.51	1014298.27			1	
TOTAL			2	7	

© Copyright Hanson Professional Services Inc. 2016  
**HANSON**  
 Hanson Professional Services Inc.

LAYOUT	BAB	11/24/15
DRAWN	RLA	8/24/16
REVIEWED	MCD	8/25/16

# SCHEDULE OF QUANTITIES

INLET FILTER SCHEDULE			
LOCATION			28000510
			INLET FILTERS
STATION	OFFSET	LT/RT	EACH
GREEN STREET			
1003+00.00	48.00	LT	1
1003+60.00	28.92	LT	1
1004+20.01	68.35	LT	1
1004+25.00	33.99	LT	1
1004+25.00	61.85	LT	1
1004+29.46	36.02	RT	1
1004+29.50	25.00	RT	1
1004+34.50	30.50	RT	1
1005+00.00	42.98	LT	1
1005+34.96	25.56	RT	1
1005+43.95	62.35	RT	1
1005+99.96	29.21	RT	1
1006+69.96	32.81	RT	1
1007+39.96	27.15	RT	1
1007+62.48	99.71	RT	1
1007+77.00	24.75	LT	1
1007+88.00	34.00	LT	1
1007+88.00	29.50	LT	1
1008+59.79	33.04	RT	1
1008+61.44	57.03	RT	1
1009+56.00	33.25	RT	1
1009+90.24	66.18	RT	1
1009+93.00	29.50	LT	1
1010+12.00	41.48	RT	1
1010+19.77	33.25	RT	1
1010+19.73	24.44	RT	1
1010+20.64	24.75	LT	1
1010+28.04	24.44	LT	1
1011+27.50	29.50	LT	1
1012+10.04	26.02	LT	1
1012+90.04	26.02	LT	1
1013+50.00	25.00	RT	1
1013+50.00	29.00	RT	1
1013+50.00	33.50	RT	1
1013+65.04	26.02	LT	1
1014+08.00	29.00	RT	1
1014+25.00	22.32	LT	1
1014+50.00	29.00	RT	1
1014+50.00	24.75	RT	1
1014+50.00	33.50	RT	1
1014+74.00	29.50	LT	1
1015+97.50	34.00	LT	1
1015+97.50	29.50	LT	1
1015+97.50	24.75	LT	1
1016+19.00	29.50	RT	1
1016+66.00	29.50	LT	1
1017+04.96	26.02	RT	1
1017+55.00	26.00	RT	1
1019+38.00	29.50	RT	1
1019+50.00	29.50	LT	1
1020+30.00	29.50	LT	1
1020+40.00	29.50	RT	1
1020+89.00	29.50	LT	1

INLET FILTER SCHEDULE			
LOCATION			28000510
			INLET FILTERS
STATION	OFFSET	LT/RT	EACH
GREEN STREET			
1021+48.00	29.00	LT	1
1021+99.31	26.00	LT	1
1022+00.00	29.50	RT	1
1022+05.00	25.00	RT	1
1022+45.00	28.50	LT	1
1022+45.98	23.04	LT	1
1023+15.00	25.00	RT	1
1023+15.00	29.50	RT	1
1023+15.10	34.00	RT	1
1024+00.00	26.00	RT	1
1024+32.01	25.00	LT	1
1024+35.00	34.00	LT	1
1024+35.00	29.50	LT	1
1024+56.00	25.95	RT	1
1025+30.00	25.00	RT	1
1025+30.00	29.50	RT	1
1025+30.00	34.00	RT	1
1025+39.00	29.50	LT	1
1025+39.00	34.02	LT	1
1025+39.00	24.44	LT	1
1026+04.00	29.50	LT	1
1026+40.00	29.50	RT	1
1027+40.00	29.50	LT	1
1029+15.00	42.00	LT	1
1029+15.00	22.67	RT	1
1029+85.00	22.33	RT	1
1029+95.00	22.33	LT	1
1030+20.00	22.33	RT	1
1030+50.00	20.77	LT	1
1031+15.00	17.10	RT	1
1031+19.99	17.19	LT	1
WRIGHT STREET			
4018+72.79	27.68	RT	1
MATHEWS AVENUE			
1100+65.50	16.83	RT	1
1100+65.25	14.66	LT	1
1100+76.04	14.83	LT	1
1100+94.67	16.83	RT	1
1102+32.03	13.75	RT	1
GOODWIN AVENUE			
1200+96.96	26.52	RT	1
1201+38.00	26.83	LT	1
1201+50.04	20.15	RT	1
LINCOLN AVENUE			
1301+30.00	26.83	RT	1
1301+30.00	26.83	LT	1
TOTAL			95

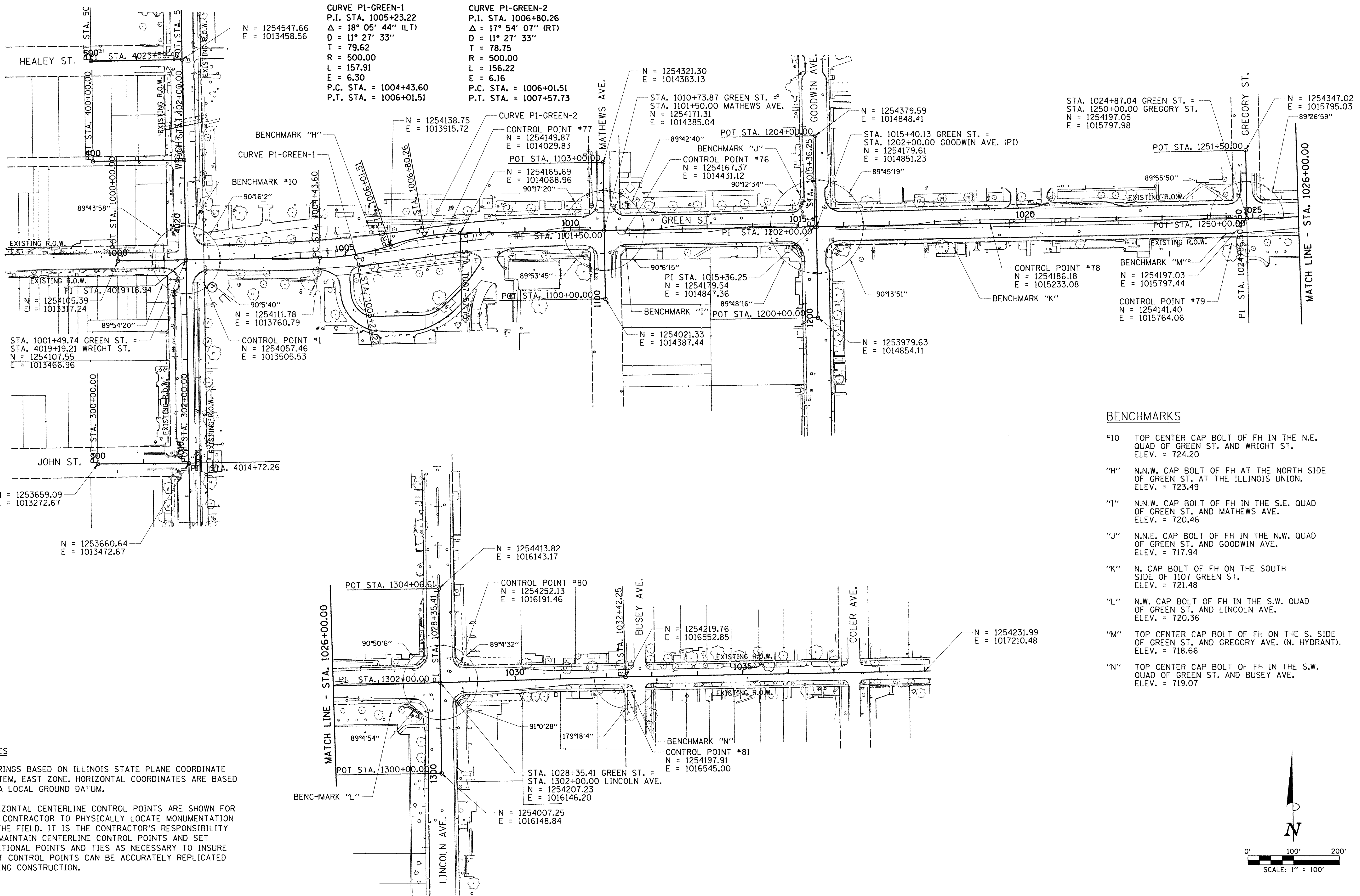
PERIMETER EROSION BARRIER SCHEDULE		
LOCATION		28000400
		PERIMETER EROSION BARRIER
BEGIN STATION	END STATION	FOOT
GREEN STREET		
1001+71.29	1006+00.00	252
1006+00.00	1011+50.00	381
1011+50.00	1017+50.00	
1017+50.00	1023+50.00	
1023+50.00	1029+50.00	
1029+50.00	1031+97.50	
UNION		
TOTAL		633

BENCH MARK SCHEDULE			
LOCATION			20038700
			PERMANENT BENCH MARKS
STATION	OFFSET	LT/RT	EACH
GREEN STREET			
1020+00.00	0.00	RT	1
1028+72.56	58.32	RT	1
TOTAL			2

© Copyright Hanson Professional Services Inc. 2016  
**HANSON**  
 Hanson Professional Services Inc.

LAYOUT	BAB	11/24/15
DRAWN	RLA	2/4/16
REVIEWED	MCD	3/22/16

FILE NAME = Z:\P1ans\sheets\Project1\P1-sht-schedule03.dgn	DESIGNED - BAB DRAWN - RLA CHECKED - MGD DATE - 8/26/2016	REVISED - REVISED - REVISED - REVISED -	STATE OF ILLINOIS DEPARTMENT OF TRANSPORTATION	PROJECT 1 - GREEN STREET SCHEDULE OF QUANTITIES	F.A.U. RTE. 7126	SECTION 15-00304-01-PV	COUNTY CHAMPAIGN	TOTAL SHEETS 236	SHEET NO. 21
PLOT DATE = 8/25/2016 4:33:04 PM	SCALE: N/A			SHEET NO. OF SHEETS	STA. TO STA.	MCORE PROJECT 1 CONTRACT NO. 91539			
						JOB NO. C-95-305-16 ILLINOIS FED. AID PROJECT TIG-5181(057)			

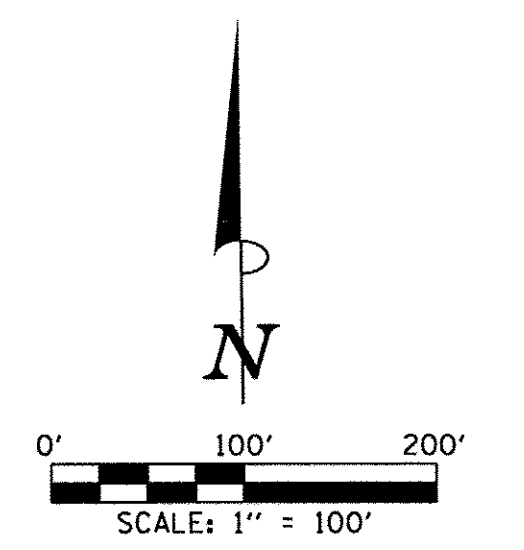


**BENCHMARKS**

- #10 TOP CENTER CAP BOLT OF FH IN THE N.E. QUAD OF GREEN ST. AND WRIGHT ST. ELEV. = 724.20
- "H" N.N.W. CAP BOLT OF FH AT THE NORTH SIDE OF GREEN ST. AT THE ILLINOIS UNION. ELEV. = 723.49
- "I" N.N.W. CAP BOLT OF FH IN THE S.E. QUAD OF GREEN ST. AND MATHEWS AVE. ELEV. = 720.46
- "J" N.N.E. CAP BOLT OF FH IN THE N.W. QUAD OF GREEN ST. AND GOODWIN AVE. ELEV. = 717.94
- "K" N. CAP BOLT OF FH ON THE SOUTH SIDE OF 1107 GREEN ST. ELEV. = 721.48
- "L" N.W. CAP BOLT OF FH IN THE S.W. QUAD OF GREEN ST. AND LINCOLN AVE. ELEV. = 720.36
- "M" TOP CENTER CAP BOLT OF FH ON THE S. SIDE OF GREEN ST. AND GREGORY AVE. (N. HYDRANT). ELEV. = 718.66
- "N" TOP CENTER CAP BOLT OF FH IN THE S.W. QUAD OF GREEN ST. AND BUSEY AVE. ELEV. = 719.07

**NOTES**

1. BEARINGS BASED ON ILLINOIS STATE PLANE COORDINATE SYSTEM, EAST ZONE. HORIZONTAL COORDINATES ARE BASED ON A LOCAL GROUND DATUM.
2. HORIZONTAL CENTERLINE CONTROL POINTS ARE SHOWN FOR THE CONTRACTOR TO PHYSICALLY LOCATE MONUMENTATION IN THE FIELD. IT IS THE CONTRACTOR'S RESPONSIBILITY TO MAINTAIN CENTERLINE CONTROL POINTS AND SET ADDITIONAL POINTS AND TIES AS NECESSARY TO INSURE THAT CONTROL POINTS CAN BE ACCURATELY REPLICATED DURING CONSTRUCTION.



LAYOUT	RLA	11/24/15
DRAWN	RLA	2/4/16
REVIEWED	MGD	3/22/16

FILE NAME =	Z:\Plans\sheets\Project1\P1-sht-atb01.dgn
PLOT DATE =	8/25/2016 1:26:22 PM

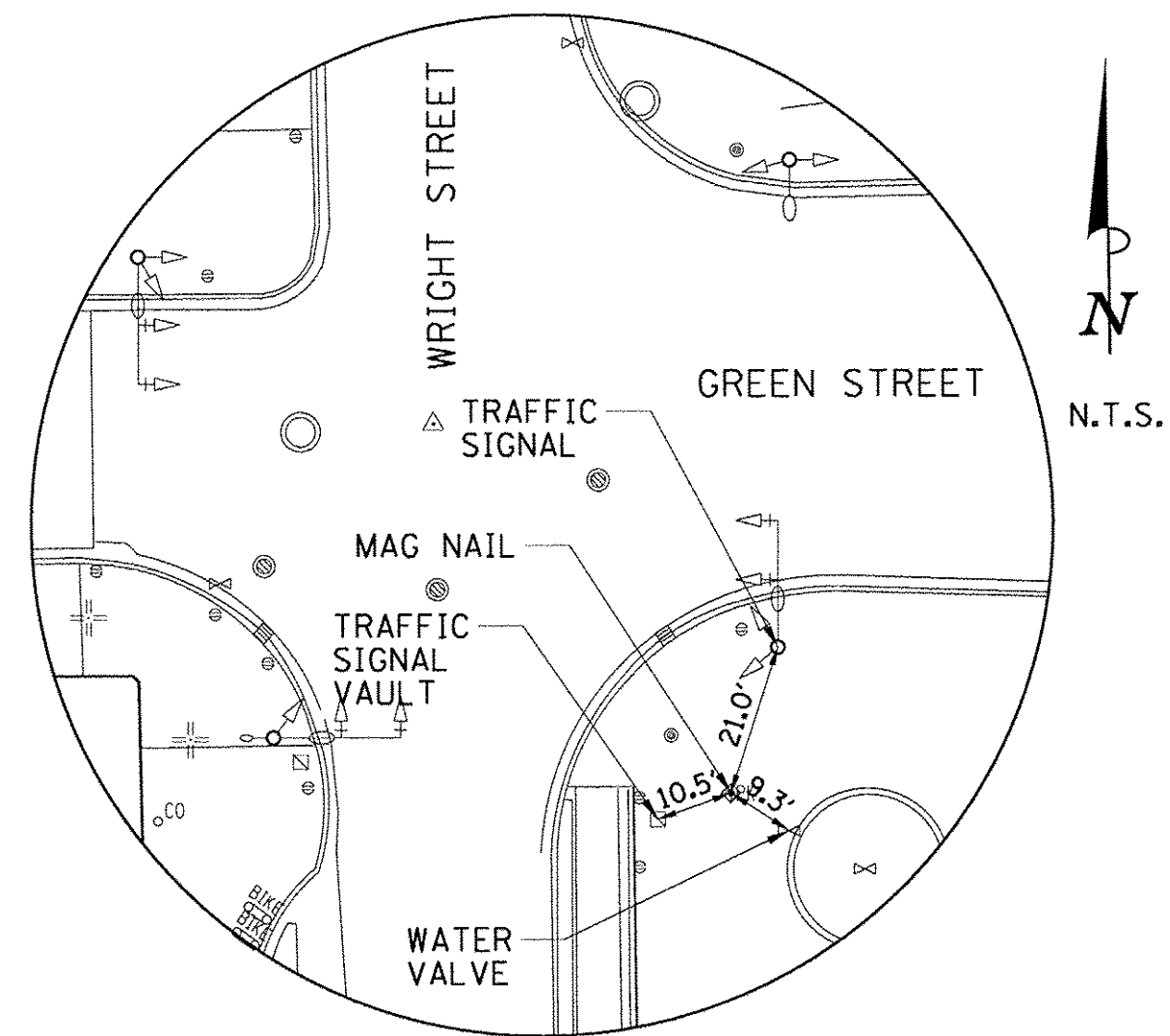
DESIGNED -	RLA	REVISED -	
DRAWN -	RLA	REVISED -	
CHECKED -	MGD	REVISED -	
DATE -	8/26/2016	REVISED -	

STATE OF ILLINOIS  
 DEPARTMENT OF TRANSPORTATION

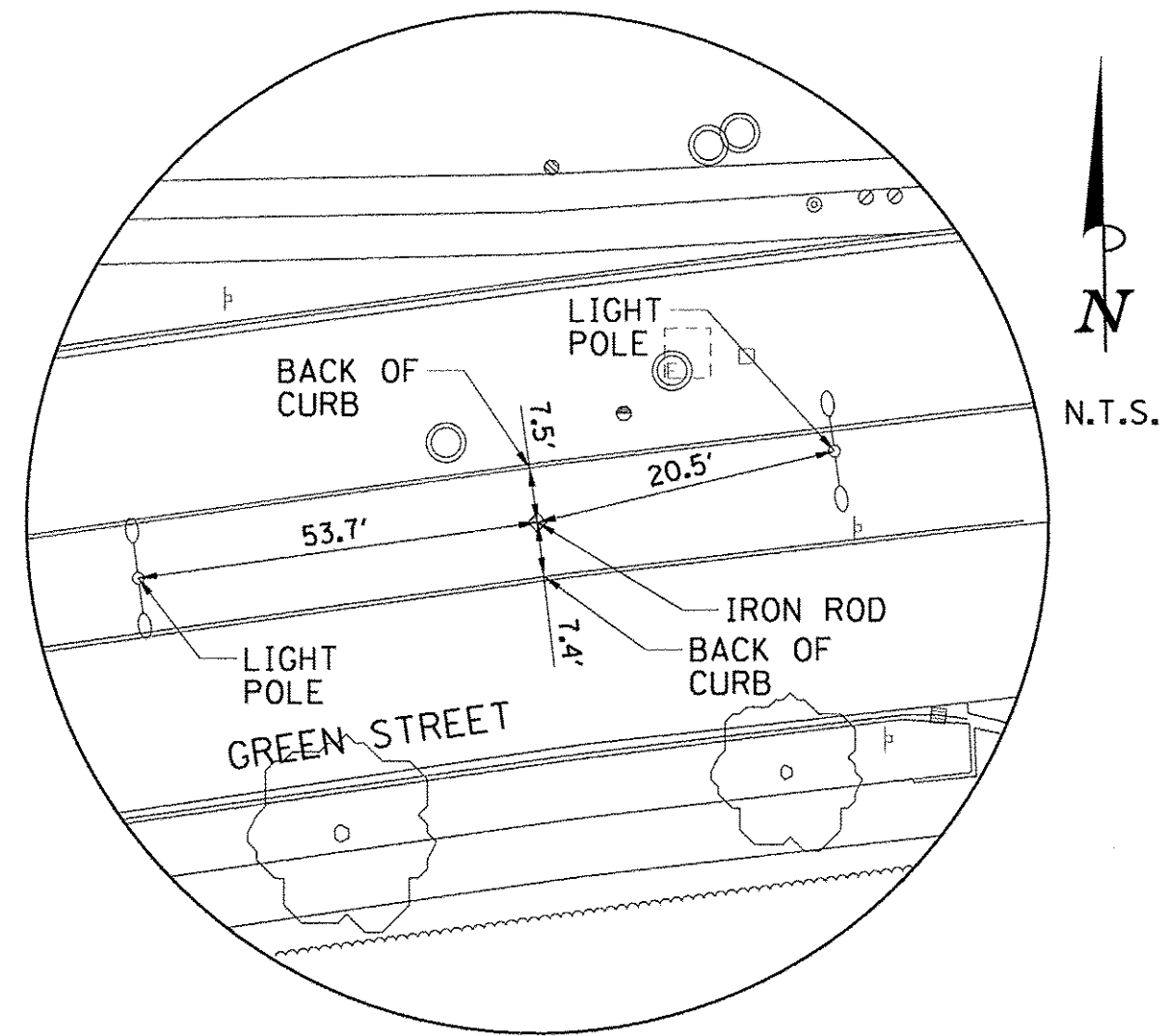
**PROJECT 1 - GREEN STREET**  
**HORIZONTAL ALIGNMENT LAYOUT AND CONTROL**

SCALE: 1"=100' SHEET NO. OF SHEETS STA. TO STA.

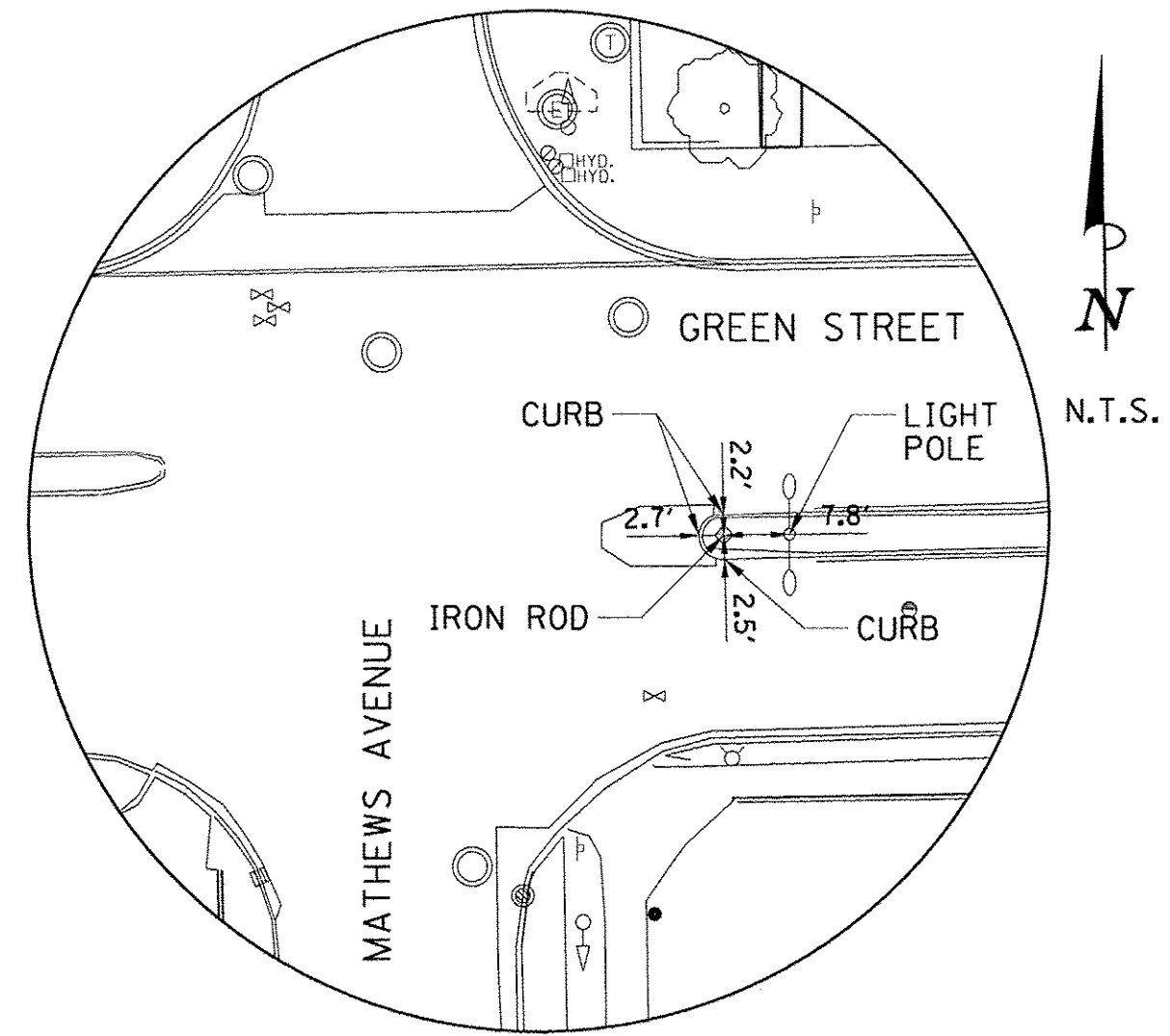
F.A.U. RTE.	SECTION	COUNTY	TOTAL SHEETS	SHEET NO.
7126	15-00304-01-PV	CHAMPAIGN	236	22
MCORE PROJECT 1		CONTRACT NO. 91539		
JOB NO. C-95-305-16   ILLINOIS FED. AID PROJECT TIG-5181(057)				



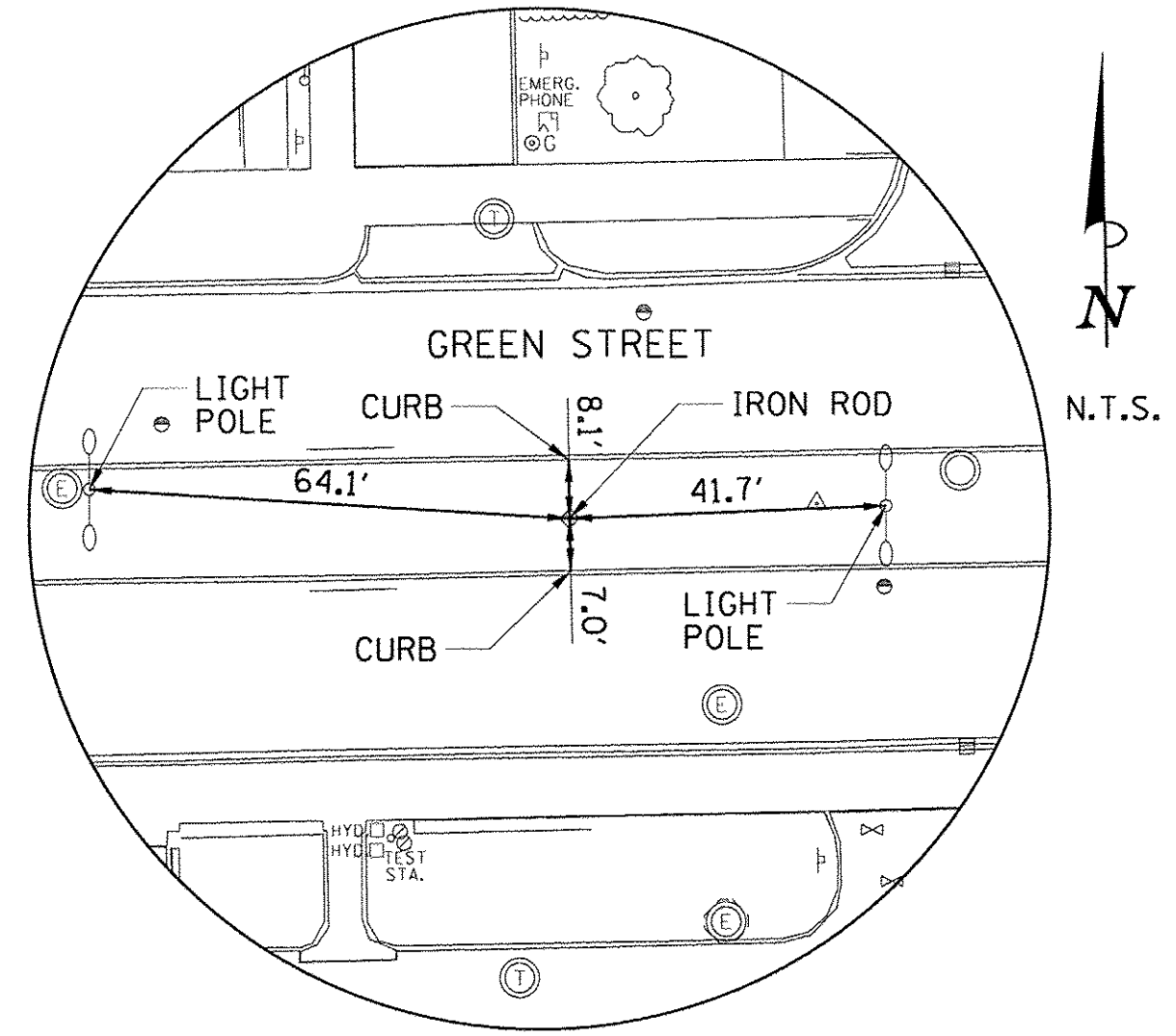
**CONTROL POINT #1**  
 STA. 1001+87.58, 50.64' RT.  
 MAG NAIL



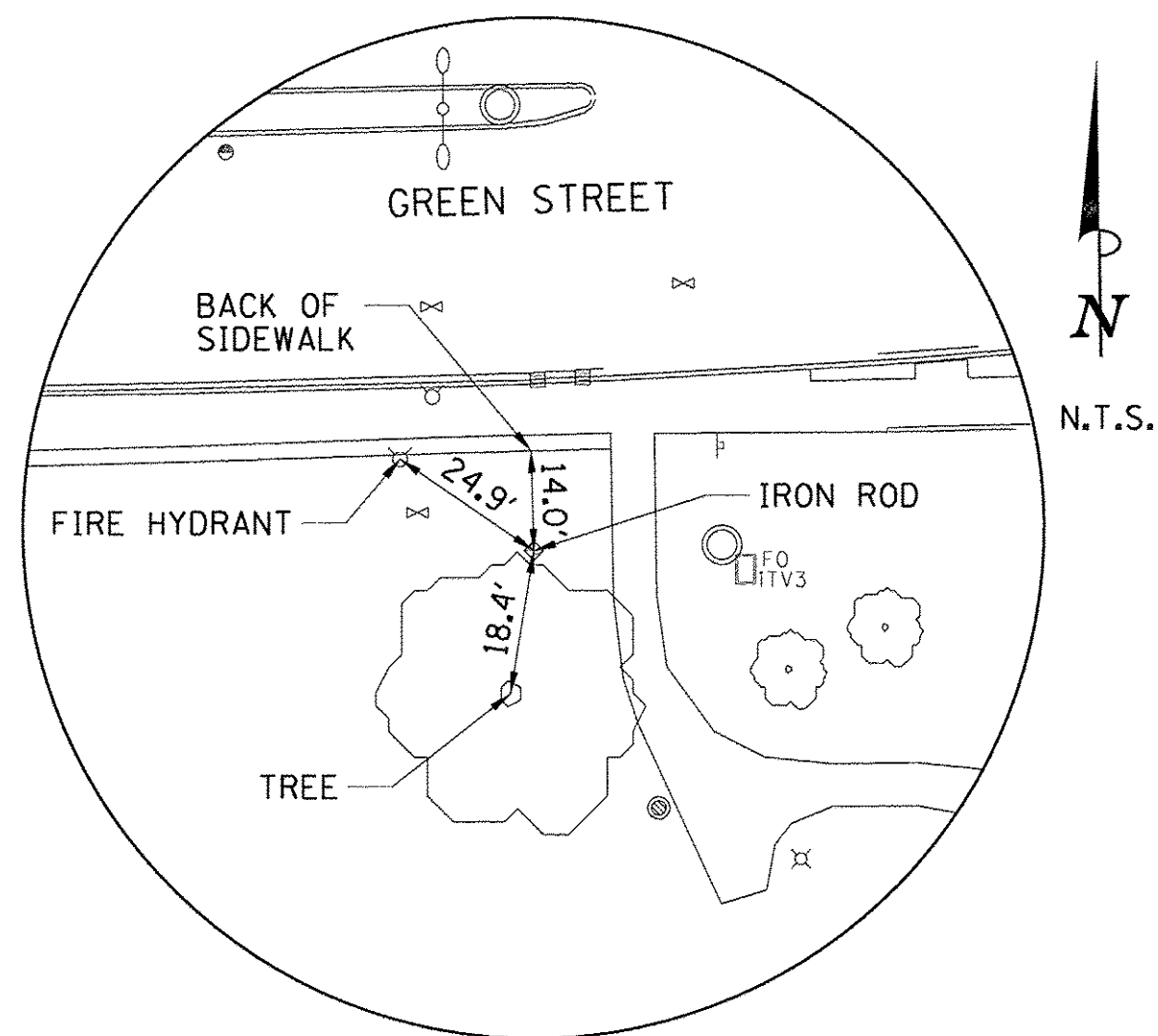
**CONTROL POINT #77**  
 STA. 1007+17.19, 13.52' RT.  
 IRON ROD



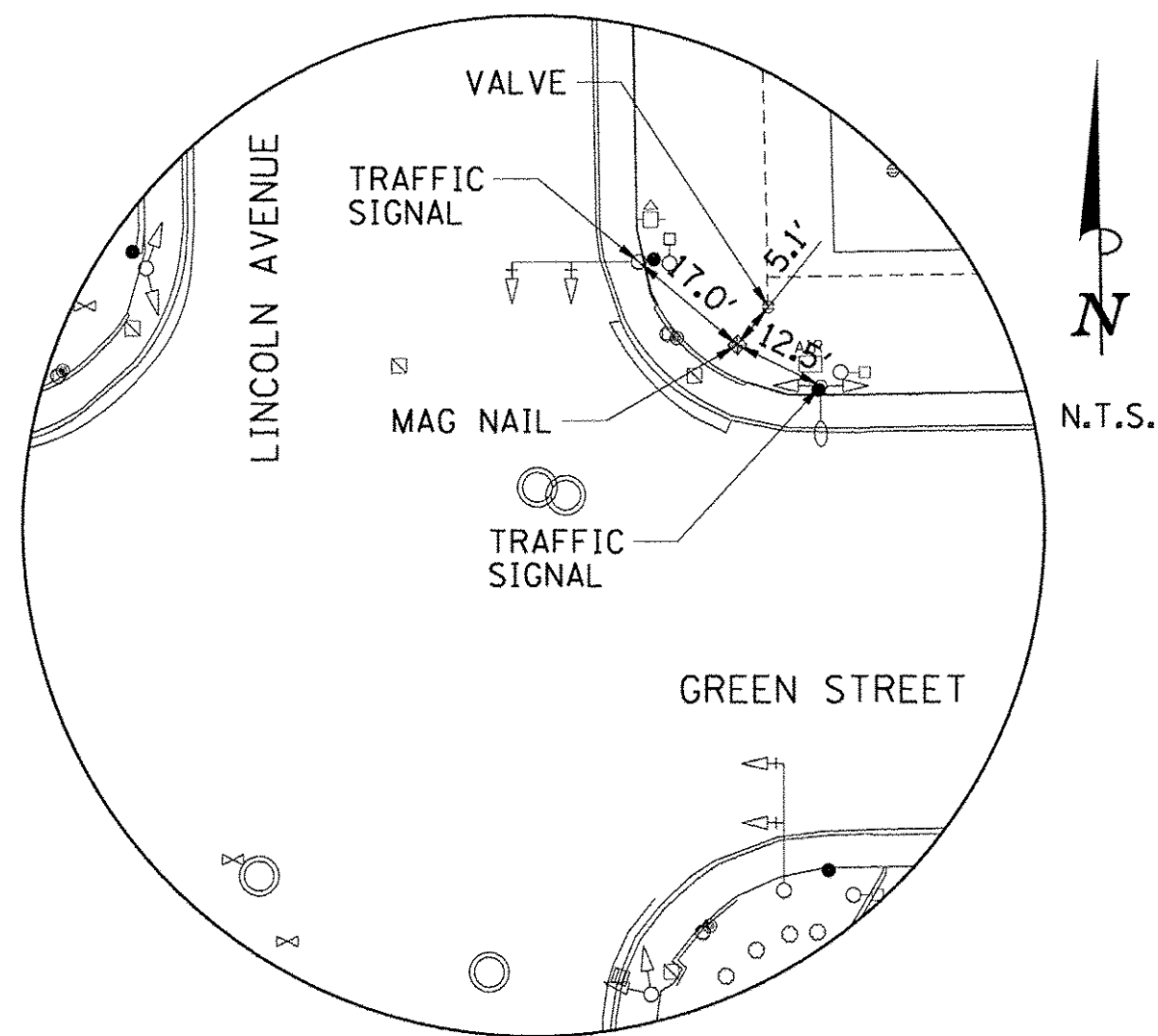
**CONTROL POINT #76**  
 STA. 1011+19.87, 4.76' RT.  
 IRON ROD



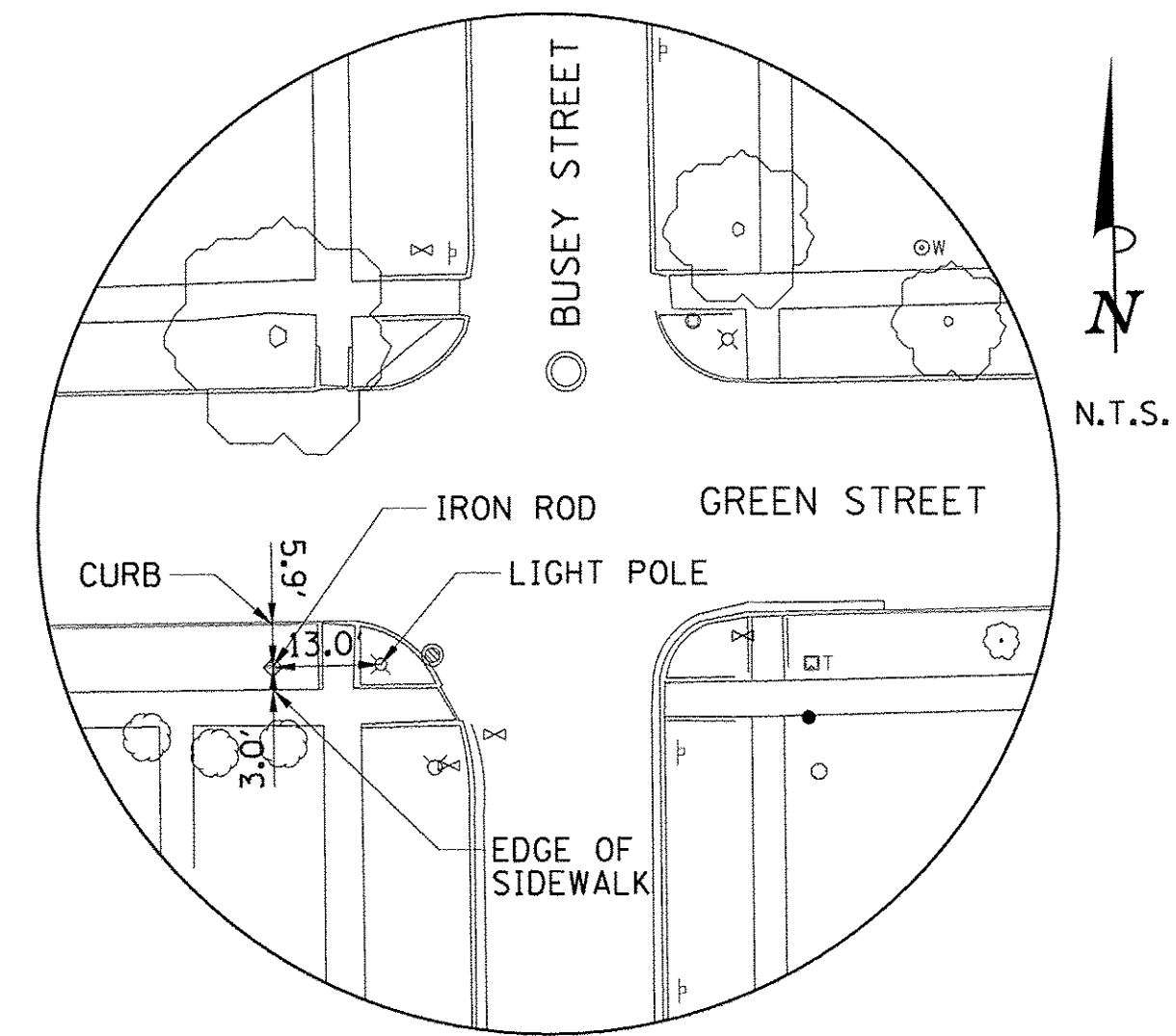
**CONTROL POINT #78**  
 STA. 1019+22.04, 0.46' RT.  
 IRON ROD



**CONTROL POINT #79**  
 STA. 1024+52.10, 55.01' RT.  
 IRON ROD



**CONTROL POINT #80**  
 STA. 1028+82.03, 43.48' LT.  
 MAG NAIL



**CONTROL POINT #81**  
 STA. 1032+33.73, 21.60' RT.  
 IRON ROD

**NOTES:**

- SEE HORIZONTAL ALIGNMENT LAYOUT AND CONTROL SHEETS FOR NORTING AND EASTING COORDINATES.
- STATION AND OFFSETS ARE APPROXIMATE AND FOR REFERENCE ONLY.

LAYOUT	11/24/15
DRAWN	2/17/16
REVIEWED	3/22/16
RLA	
RLA	
MGD	

FILE NAME = Z:\Plans\sheets\Project1\P1-sht-atb02.dgn  
 PLOT DATE = 8/26/2016 1:26:27 PM

DESIGNED - RLA	REVISED -
DRAWN - RLA	REVISED -
CHECKED - MGD	REVISED -
DATE - 8/26/2016	REVISED -

STATE OF ILLINOIS  
 DEPARTMENT OF TRANSPORTATION

PROJECT 1 - GREEN STREET  
 SURVEY CONTROL TIES

SCALE: N/A SHEET NO. OF SHEETS STA. TO STA.

F.A.U. RTE.	SECTION	COUNTY	TOTAL SHEETS	SHEET NO.
7126	15-00304-01-PV	CHAMPAIGN	236	23
MCORE PROJECT 1		CONTRACT NO. 91539		
JOB NO. C-95-305-16 ILLINOIS FED. AID PROJECT TIG-5181(057)				

LAYOUT	DLC	2/02/16
DRAWN	RLA	2/4/16
REVIEWED	MGD	3/22/16

FILE NAME = Z:\Plans\sheets\Project1\p1-sht-ROW01.dgn  
 PLOT DATE = 8/25/2016 1:27:20 PM

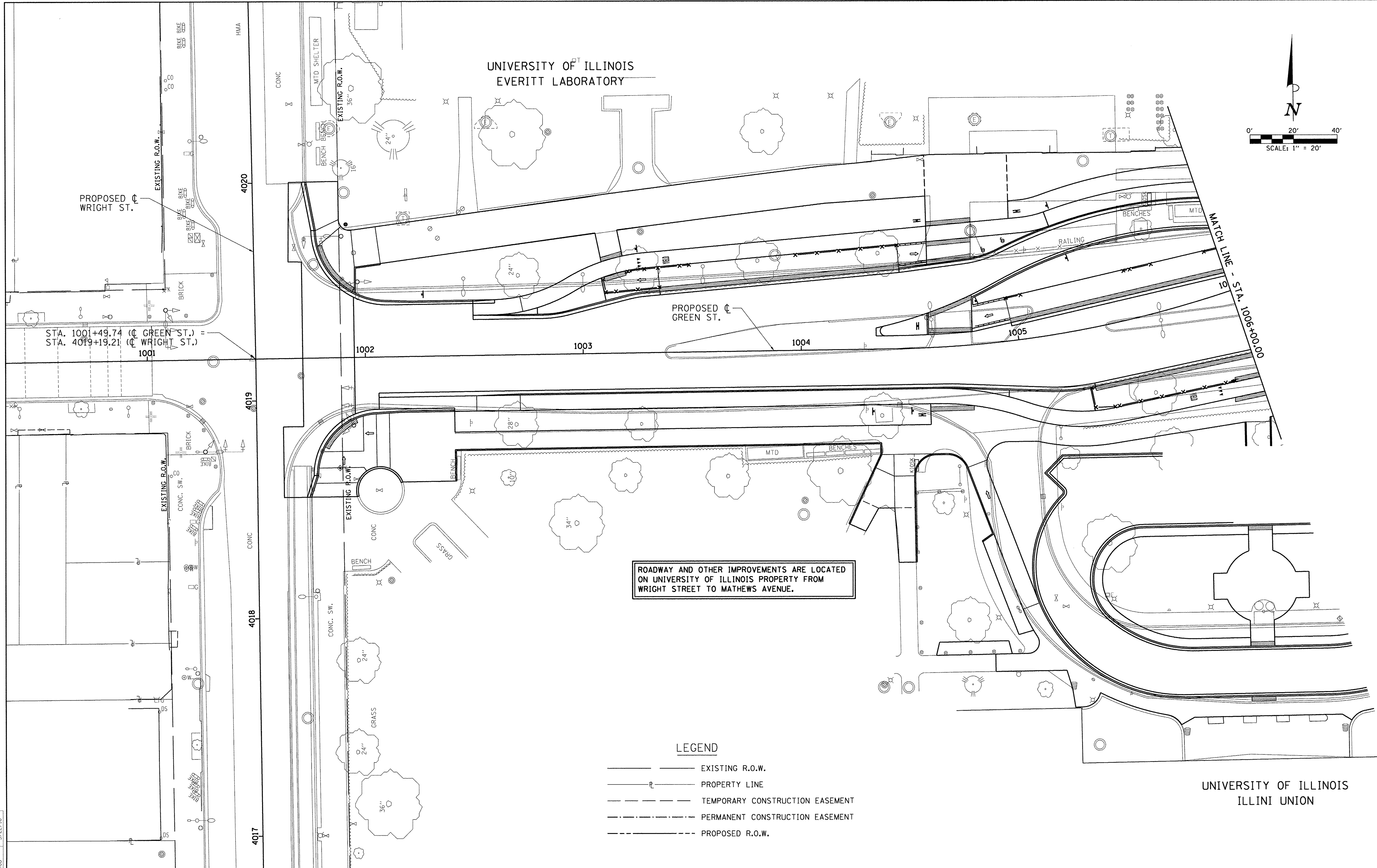
DESIGNED	DLC	REVISED	-
DRAWN	RLA	REVISED	-
CHECKED	MGD	REVISED	-
DATE	8/26/2016	REVISED	-

STATE OF ILLINOIS  
 DEPARTMENT OF TRANSPORTATION

PROJECT 1 - GREEN STREET  
 R.O.W. PLANS

SCALE: 1"=20' SHEET NO. OF SHEETS STA. 1001+71.29 TO STA. 1006+00.00

F.A.U. RTE.	SECTION	COUNTY	TOTAL SHEETS	SHEET NO.
7126	15-00304-01-PV	CHAMPAIGN	236	24
MCORE PROJECT 1			CONTRACT NO. 91539	
JOB NO. C-95-305-16 ILLINOIS FED. AID PROJECT TIG-5181057				

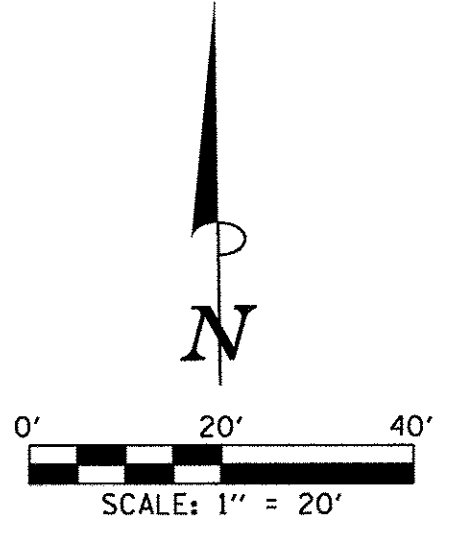


ROADWAY AND OTHER IMPROVEMENTS ARE LOCATED ON UNIVERSITY OF ILLINOIS PROPERTY FROM WRIGHT STREET TO MATHEWS AVENUE.

LEGEND

- EXISTING R.O.W.
- PROPERTY LINE
- - - TEMPORARY CONSTRUCTION EASEMENT
- - - PERMANENT CONSTRUCTION EASEMENT
- - - PROPOSED R.O.W.

UNIVERSITY OF ILLINOIS  
 ILLINI UNION



UNIVERSITY OF ILLINOIS  
 EVERITT LABORATORY

PROPOSED C  
 WRIGHT ST.

PROPOSED C  
 GREEN ST.

STA. 1001+49.74 (C GREEN ST.)  
 STA. 4019+19.21 (C WRIGHT ST.)

MATCH LINE - STA. 1006+00.00

4020  
 4019  
 4018  
 4017

1002

1003

1004

1005



UNIVERSITY OF ILLINOIS MATERIALS  
 SCIENCE AND ENGINEERING

UNIVERSITY OF ILLINOIS  
 ENGINEERING HALL

STA. 1010+73.87 (C GREEN ST.) =  
 STA. 1101+50.00 (C MATHEWS AVE.)

PROPOSED C  
 GREEN ST.  
 1009

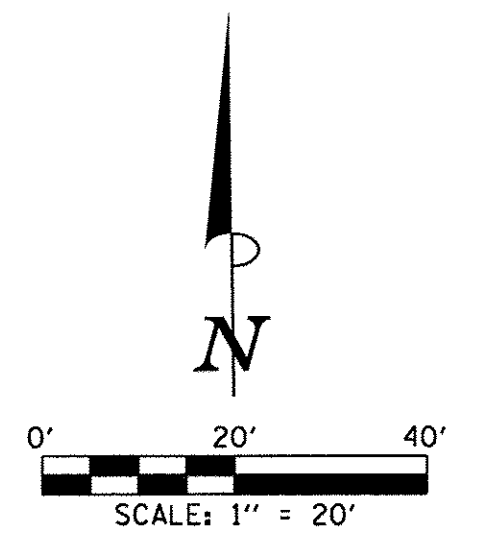
PROPOSED C  
 MATHEWS AVE.

ROADWAY AND OTHER IMPROVEMENTS ARE LOCATED  
 ON UNIVERSITY OF ILLINOIS PROPERTY FROM  
 WRIGHT STREET TO MATHEWS AVENUE.

UNIVERSITY OF ILLINOIS  
 NATURAL HISTORY BUILDING

**LEGEND**

- EXISTING R.O.W.
- PROPERTY LINE
- - - - - TEMPORARY CONSTRUCTION EASEMENT
- - - - - PERMANENT CONSTRUCTION EASEMENT
- - - - - PROPOSED R.O.W.



MATCH LINE - STA. 1006+00.00

MATCH LINE - STA. 1011+50.00

LAYOUT	DLC	2/02/16
DRAWN	RLA	2/04/16
REVIEWED	MGD	3/22/16

FILE NAME =  
 Z:\Plans\sheets\Project1\PI1-sht-ROW02.dgn  
 PLOT DATE =  
 8/25/2016 1:27:25 PM

DESIGNED - DLC  
 DRAWN - RLA  
 CHECKED - MGD  
 DATE - 8/26/2016

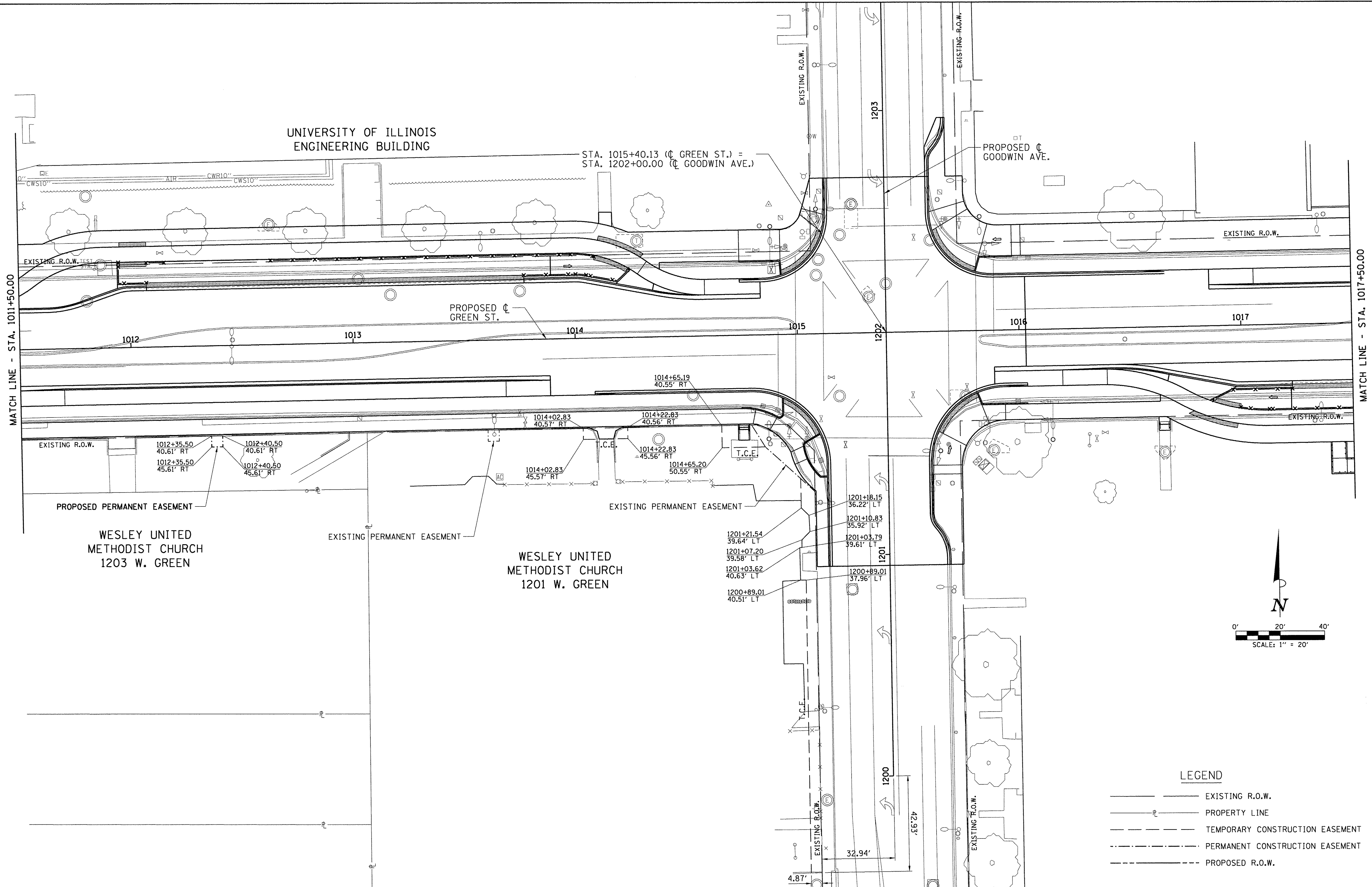
REVISED -  
 REVISED -  
 REVISED -  
 REVISED -

STATE OF ILLINOIS  
 DEPARTMENT OF TRANSPORTATION

PROJECT 1 - GREEN STREET  
 R.O.W. PLANS

SCALE: 1"=20' SHEET NO. OF SHEETS STA. 1006+00.00 TO STA. 1011+50.00

F.A.U. RTE.	SECTION	COUNTY	TOTAL SHEETS	SHEET NO.
7126	15-00304-01-PV	CHAMPAIGN	236	25
MCORE PROJECT 1		CONTRACT NO. 91539		
JOB NO. C-95-305-16 [ILLINOIS] FED. AID PROJECT TIG-5181057				



**LEGEND**

- EXISTING R.O.W.
- PROPERTY LINE
- - - TEMPORARY CONSTRUCTION EASEMENT
- - - PERMANENT CONSTRUCTION EASEMENT
- - - PROPOSED R.O.W.

LAYOUT	DLC	2/02/16
DRAWN	RLA	2/17/16
REVIEWED	MGD	3/22/16

FILE NAME = Z:\Plans\sheets\Project1\P1-sht-ROW03.dgn  
 PLOT DATE = 8/25/2016 1:27:29 PM

DESIGNED -	DLC	REVISED -	
DRAWN -	RLA	REVISED -	
CHECKED -	MGD	REVISED -	
DATE -	8/26/2016	REVISED -	

STATE OF ILLINOIS  
 DEPARTMENT OF TRANSPORTATION

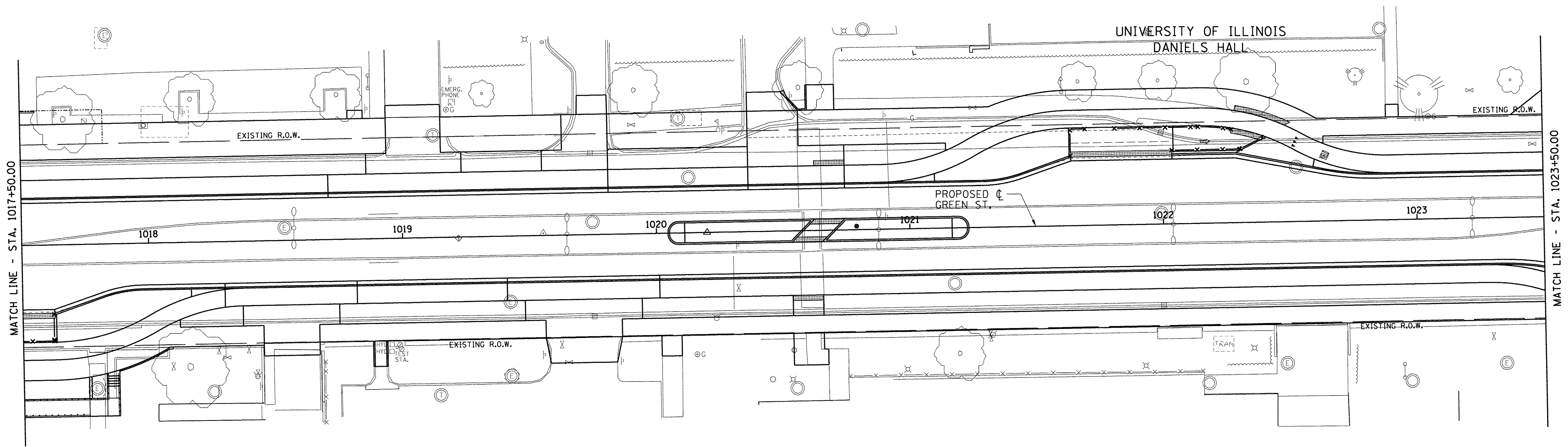
PROJECT 1 - GREEN STREET  
 R.O.W. PLANS

SCALE: 1"=20' SHEET NO. OF SHEETS STA. 1011+50.00 TO STA. 1017+50.00

F.A.U. RTE.	SECTION	COUNTY	TOTAL SHEETS	SHEET NO.
7126	15-00304-01-PV	CHAMPAIGN	236	26
MCORE PROJECT 1		CONTRACT NO. 91539		
JOB NO. C-95-305-16 ILLINOIS FED. AID PROJECT TIG-51810571				

UNIVERSITY OF ILLINOIS  
LOOMIS LABORATORY

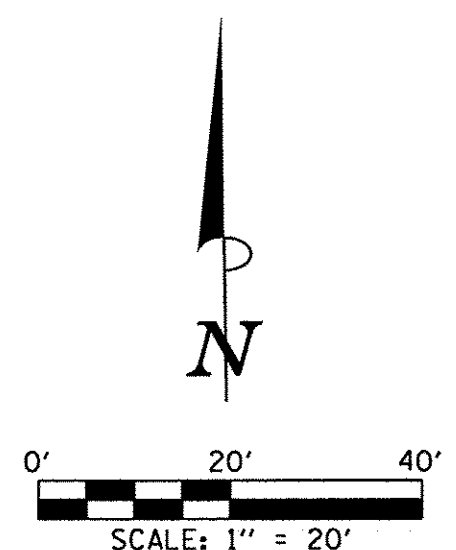
UNIVERSITY OF ILLINOIS  
DANIELS HALL



MATCH LINE - STA. 1017+50.00

MATCH LINE - STA. 1023+50.00

© Copyright Hanson Professional Services Inc. 2016  
**HANSON**  
Hanson Professional Services Inc.



UNIVERSITY OF ILLINOIS  
GOODWIN-GREEN APARTMENTS

UNIVERSITY OF ILLINOIS  
ILLINOIS STREET RESIDENCE HALLS

**LEGEND**

- EXISTING R.O.W.
- PROPERTY LINE
- - - - - TEMPORARY CONSTRUCTION EASEMENT
- . - . - PERMANENT CONSTRUCTION EASEMENT
- - - - - PROPOSED R.O.W.

LAYOUT	DLC	2/02/16
DRAWN	RLA	2/17/16
REVIEWED	MGD	3/22/16

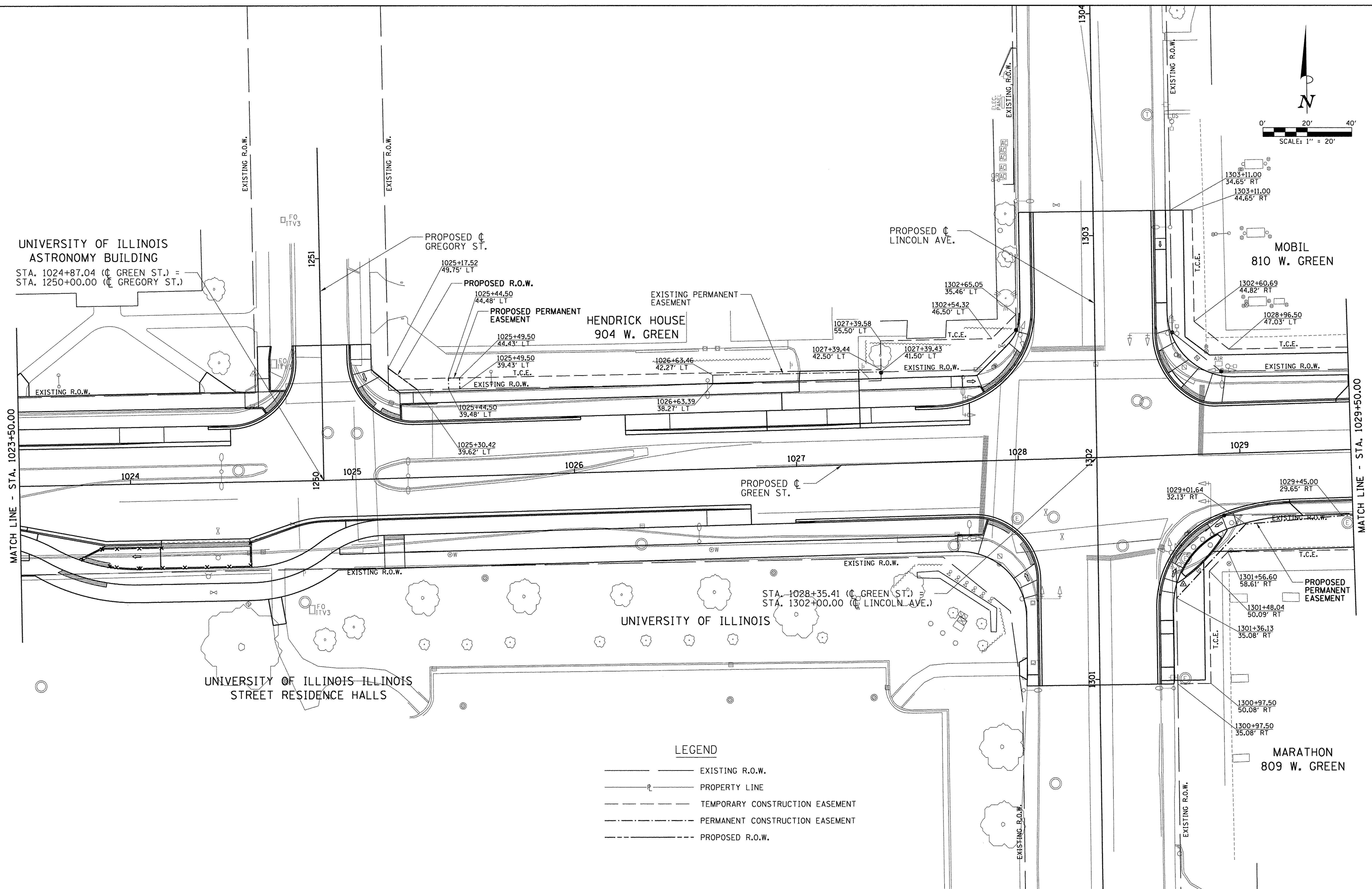
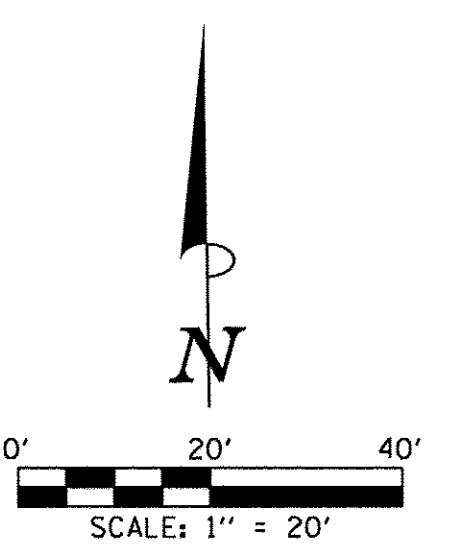
FILE NAME =	Z:\Plans\Sheets\Project1\P1-sht-ROW04.dgn
DESIGNED -	DLC
DRAWN -	RLA
CHECKED -	MGD
DATE -	8/26/2016
PLOT DATE =	8/26/2016 1:27:33 PM

DESIGNED -	DLC	REVISED -	
DRAWN -	RLA	REVISED -	
CHECKED -	MGD	REVISED -	
DATE -	8/26/2016	REVISED -	

STATE OF ILLINOIS  
DEPARTMENT OF TRANSPORTATION

<b>PROJECT 1 - GREEN STREET R.O.W. PLANS</b>			
SCALE: 1"=20'	SHEET NO.	OF SHEETS	STA. 1017+50.00 TO STA. 1023+50.00

F.A.U. RTE.	SECTION	COUNTY	TOTAL SHEETS	SHEET NO.
7126	15-00304-01-PV	CHAMPAIGN	236	27
MCORE PROJECT 1			CONTRACT NO. 91539	
JOB NO. C-95-305-16   ILLINOIS FED. AID PROJECT TIG-5181057				



**LEGEND**

	EXISTING R.O.W.
	PROPERTY LINE
	TEMPORARY CONSTRUCTION EASEMENT
	PERMANENT CONSTRUCTION EASEMENT
	PROPOSED R.O.W.

LAYOUT	D.C.	2/02/16
DRAWN	RLA	2/14/16
REVIEWED	MCD	3/22/16

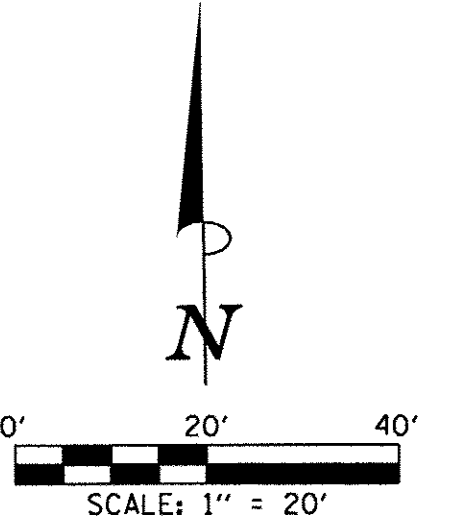
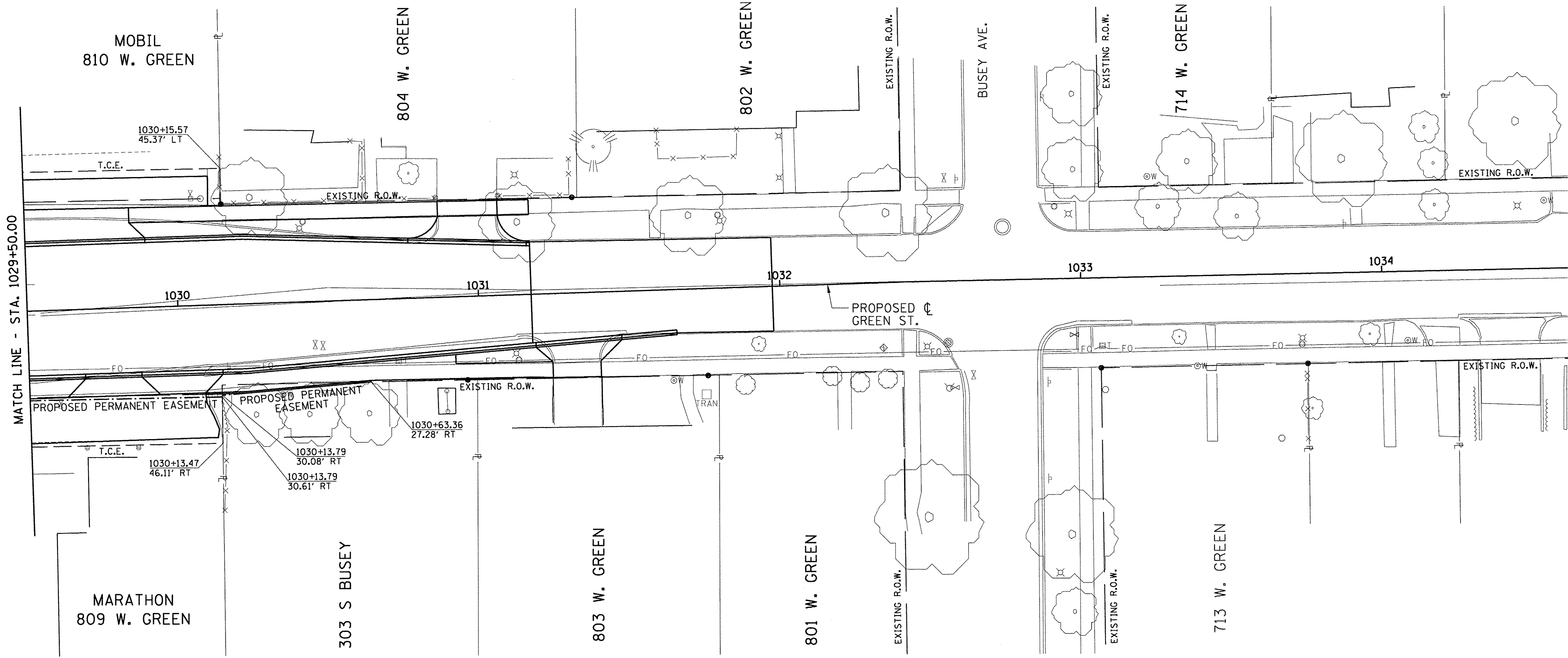
FILE NAME =	Z:\Plans\sheets\Project1\P1-sht-ROW05.dgn
PLOT DATE =	8/26/2016 1:27:35 PM

DESIGNED -	DLC	REVISED -	
DRAWN -	RLA	REVISED -	
CHECKED -	MCD	REVISED -	
DATE -	8/26/2016	REVISED -	

**STATE OF ILLINOIS  
 DEPARTMENT OF TRANSPORTATION**

<b>PROJECT 1 - GREEN STREET R.O.W. PLANS</b>	
SCALE: 1"=20'	SHEET NO. OF SHEETS
STA. 1023+50.00 TO STA. 1029+50.00	

F.A.U. RTE.	SECTION	COUNTY	TOTAL SHEETS	SHEET NO.
7126	15-00304-01-PV	CHAMPAIGN	236	28
MCORE PROJECT 1		CONTRACT NO. 91539		
JOB NO. C-95-305-16   ILLINOIS FED. AID PROJECT TIG-5181057				



**LEGEND**

- EXISTING R.O.W.
- PROPERTY LINE
- - - - - TEMPORARY CONSTRUCTION EASEMENT
- - - - - PERMANENT CONSTRUCTION EASEMENT
- - - - - PROPOSED R.O.W.

LAYOUT	D.C.	2/02/16
DRAWN	RLA	2/4/16
REVIEWED	MGD	3/22/16

FILE NAME = Z:\Plans\sheets\Project1\P1-sht-R0W06.dgn  
 PLOT DATE = 8/25/2016 1:27:37 PM

DESIGNED -	DLC	REVISED -	
DRAWN -	RLA	REVISED -	
CHECKED -	MGD	REVISED -	
DATE -	8/26/2016	REVISED -	

STATE OF ILLINOIS  
 DEPARTMENT OF TRANSPORTATION

**PROJECT 1 - GREEN STREET  
 R.O.W. PLANS**

SCALE: 1"=20' SHEET NO. OF SHEETS STA. 1029+50.00 TO STA. 1033+55.00

F.A.U. RTE.	SECTION	COUNTY	TOTAL SHEETS	SHEET NO.
7126	15-00304-01-PV	CHAMPAIGN	236	29
MCORE PROJECT 1 CONTRACT NO. 91539				
JOB NO. C-95-305-16 ILLINOIS FED. AID PROJECT T1G-S1810571				

LAYOUT	BAB	11/24/15
DRAWN	RLA	2/4/16
REVIEWED	MGD	3/22/16

FILE NAME = Z:\Plans\sheets\Project1\P1-sht-NonSpecialWaste01.dgn  
 PLOT DATE = 8/25/2016 1:27:40 PM

DESIGNED -	BAB	REVISED -	
DRAWN -	RLA	REVISED -	
CHECKED -	MGD	REVISED -	
DATE -	8/26/2016	REVISED -	

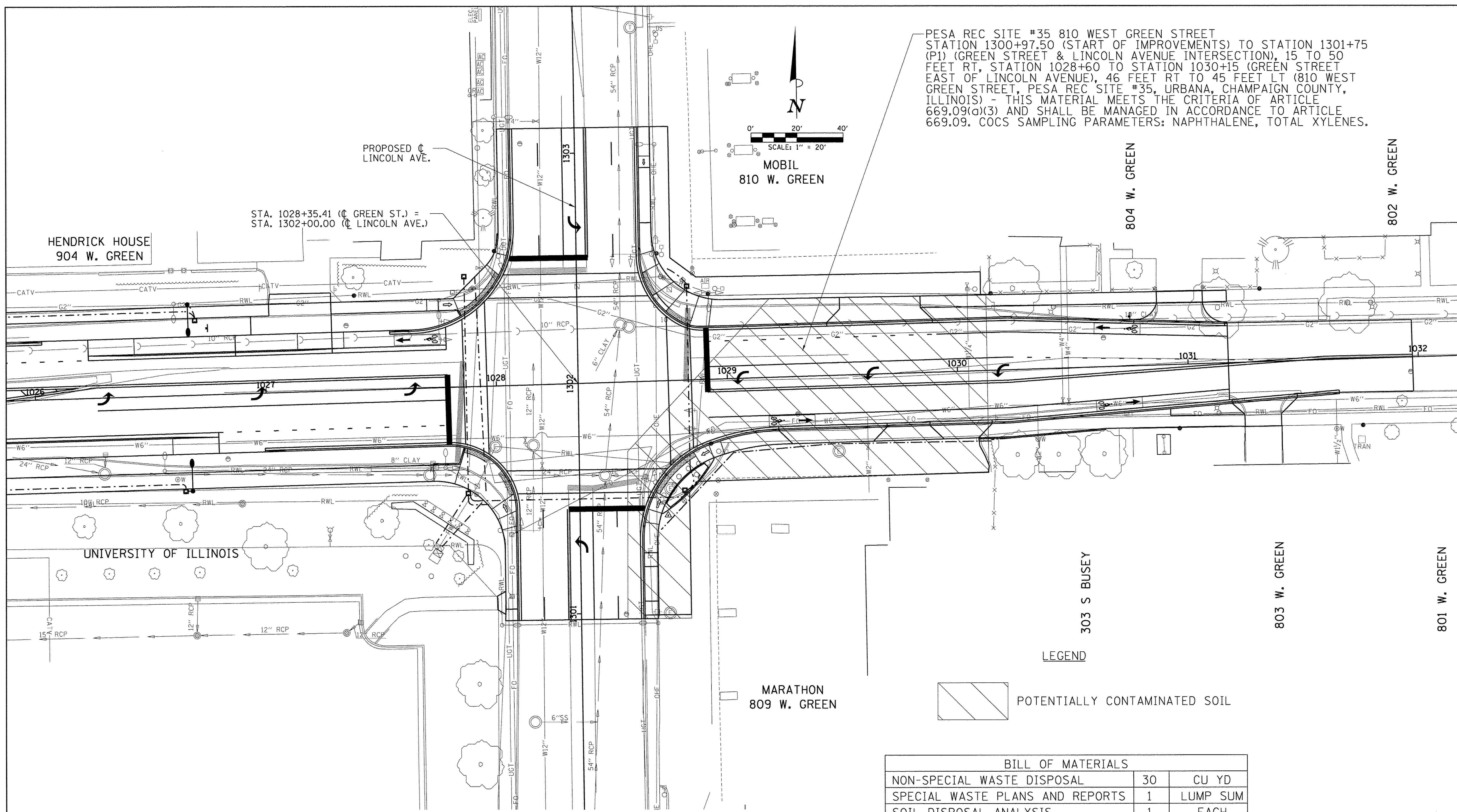
STATE OF ILLINOIS  
 DEPARTMENT OF TRANSPORTATION

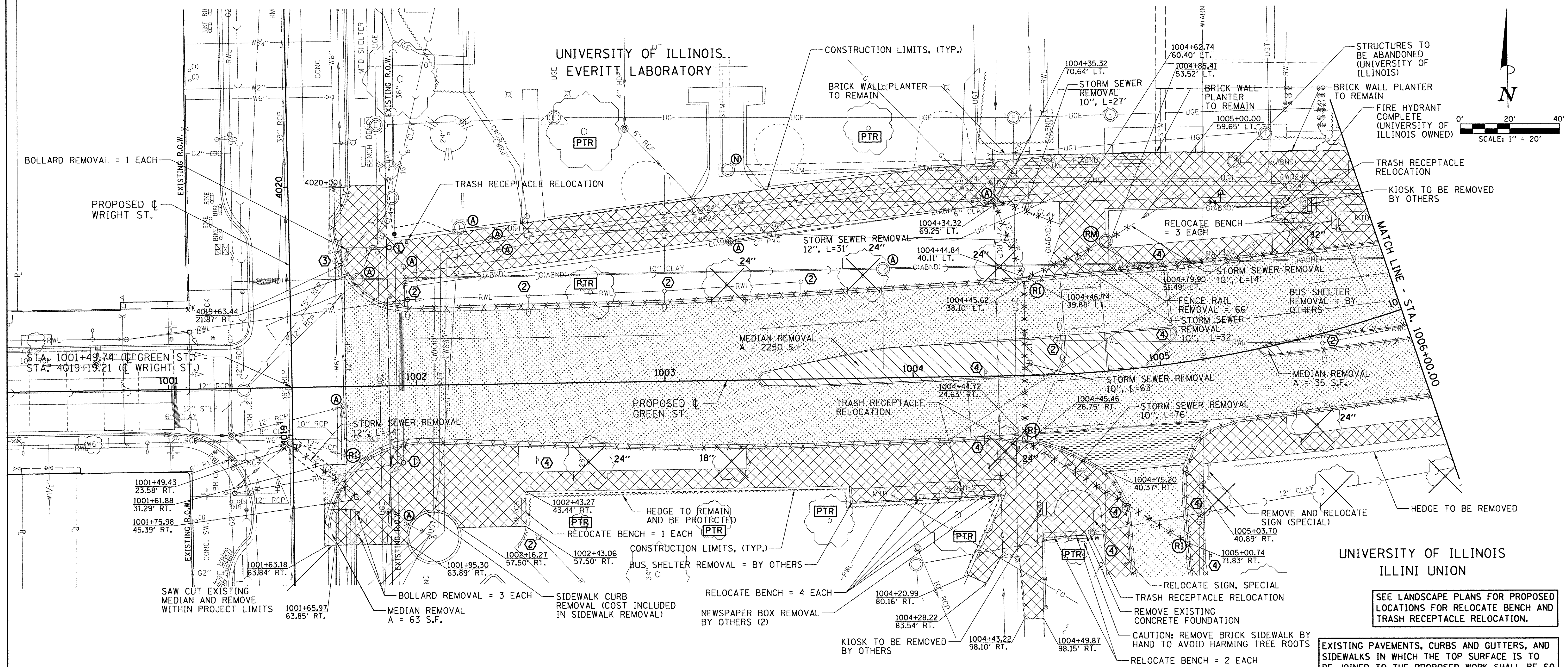
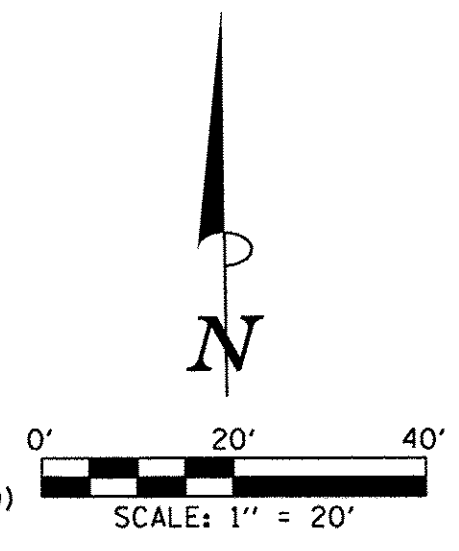
BILL OF MATERIALS		
NON-SPECIAL WASTE DISPOSAL	30	CU YD
SPECIAL WASTE PLANS AND REPORTS	1	LUMP SUM
SOIL DISPOSAL ANALYSIS	1	EACH

EARTH EX. MATERIALS SHALL REMAIN AND BE UTILIZED WITHIN THE CONSTRUCTION LIMITS ACCORDING TO ARTICLE 669.09(a)(1). SEE REMOVAL AND DISPOSAL OF REGULATED SUBSTANCES SPECIAL PROVISION.

SCALE: 1"=20'	SHEET NO. OF SHEETS	STA. 1001+71.29 TO STA. 1006+00.00
---------------	---------------------	------------------------------------

F.A.U. RTE. 7126	SECTION 15-00304-01-PV	COUNTY CHAMPAIGN	TOTAL SHEETS 236	SHEET NO. 30
MCORE PROJECT 1		CONTRACT NO. 91539		
JOB NO. C-95-305-16   ILLINOIS FED. AID PROJECT TIG-5181(057)				





SCHEDULES FOR ADJUSTMENTS (A)

MANHOLES TO BE ADJUSTED					
STATION	OFFSET	LT/RT	EXIST. ELEV.	PROP. ELEV.	UTILITY
1001+70.36	8.00	RT	732.21	723.21	STORM
1001+76.88	43.08	LT	722.26	722.13	SANITARY
1002+18.30	63.29	LT	722.82	722.71	TELEPHONE
1003+27.11	55.71	LT	721.87	722.09	STORM
1003+88.57	43.94	LT	722.35	722.07	SANITARY
1004+33.82	70.66	LT	721.56	721.61	STORM

HANDHOLE TO BE ADJUSTED					
STATION	OFFSET	LT/RT	EXIST. ELEV.	PROP. ELEV.	UTILITY
1001+95.38	48.17	LT	722.80	722.34	ELECTRIC

VALVE BOXES TO BE ADJUSTED					
STATION	OFFSET	LT/RT	EXIST. ELEV.	PROP. ELEV.	UTILITY
1001+95.30	55.83	RT	723.71	723.85	WATER
1002+30.59	58.67	LT	722.81	722.72	CWR
1002+33.98	54.21	LT	722.79	722.68	CWS

UI = UNIVERSITY OF ILLINOIS OWNED UTILITY

- LEGEND**
- U.P. DND - UTILITY POLE DO NOT DISTURB
  - U.P. TBRBO - UTILITY POLE TO BE RELOCATED BY OTHERS
  - (A) - STRUCTURE TO BE ADJUSTED
  - (RM/RI) - REMOVING MANHOLES/INLETS
  - (N) - STRUCTURE NO WORK REQUIRED
  - (PM) - PARKING METERS TO BE REMOVED
  - (PTR) - PROTECT TREE TO REMAIN (SEE LANDSCAPE PLANS)
  - [Hatched Box] - PAVEMENT REMOVAL
  - [Diagonal Lines] - DRIVEWAY PAVEMENT REMOVAL
  - [Cross-hatched Box] - CURB REMOVAL
  - [Cross-hatched Box] - COMBINATION CURB AND GUTTER REMOVAL
  - [Diagonal Lines] - SIDEWALK REMOVAL
  - [Diagonal Lines] - MEDIAN REMOVAL
  - [Cross-hatched Box] - STORM SEWER REMOVAL
  - [Cross-hatched Box] - TREE REMOVAL

SEE REMOVAL PLAN - 7 FOR CONTINUATION

EXISTING PAVEMENTS, CURBS AND GUTTERS, AND SIDEWALKS IN WHICH THE TOP SURFACE IS TO BE JOINED TO THE PROPOSED WORK SHALL BE SO JOINED THROUGH SAW CUT JUNCTURES.

THE REMOVAL AND RELOCATION OF VARIOUS TRAFFIC SIGNS NOTED HEREON SHALL BE AS DIRECTED BY THE ENGINEER AND AS SPECIFIED IN THE STANDARD SPECIFICATIONS. THIS WORK SHALL NOT BE PAID FOR SEPARATELY AND IS CONSIDERED INCLUDED IN THE VARIOUS REMOVAL ITEMS.

ADJUSTMENT AND RELOCATION OF UNIVERSITY OF ILLINOIS OWNED UTILITIES SHALL BE PERFORMED BY THE CONTRACTOR AS NOTED IN THE PLANS AND SPECIFICATIONS. THE UNIVERSITY REQUIRES 72 HOUR PRIOR NOTIFICATION FOR ANY ADJUSTMENTS OR RELOCATIONS OF UNIVERSITY UTILITIES. SEE THE GENERAL NOTES SHEET AND THE VARIOUS PLAN SHEETS SHOWING UTILITY ADJUSTMENTS OR RELOCATIONS FOR ADDITIONAL INFORMATION. ALSO, SEE TEMPORARY SUPPORT OF EXISTING UTILITIES ON THE MISCELLANEOUS DETAILS SHEET.

THE ADJUSTMENTS OR RELOCATIONS OF VARIOUS PRIVATE UTILITY FACILITIES WILL BE MADE BY THE UTILITY OWNERS DURING CONSTRUCTION. THE CONTRACTOR AND THE VARIOUS PRIVATE UTILITY COMPANIES SHALL COOPERATE WITH ONE ANOTHER SO THAT THE ADJUSTMENTS OR RELOCATIONS CAN BE PERFORMED IN A TIMELY AND EFFICIENT MANNER. THIS WORK SHALL BE PERFORMED IN ACCORDANCE WITH ARTICLE 107.39 OF THE STANDARD SPECIFICATIONS. SEE THE GENERAL NOTES SHEET AND THE VARIOUS PLAN SHEETS SHOWING UTILITY ADJUSTMENTS OR RELOCATIONS FOR ADDITIONAL INFORMATION.

- KEY NOTES**
- 1 SEE TRAFFIC SIGNAL PLANS FOR TRAFFIC SIGNAL REMOVAL ITEMS.
  - 2 SEE ROADWAY LIGHTING PLANS FOR ROADWAY LIGHTING REMOVAL ITEMS.
  - 3 SEE WATER MAIN PLANS FOR ADJUSTMENTS OF WATER VALVES BELONGING TO ILLINOIS AMERICAN WATER.
  - 4 SIGN REMOVAL PER ARTICLE 107.25

LAYOUT	BAG	11/24/15
DRAWN	RLA	2/4/16
REVIEWED	MGD	3/22/16

FILE NAME = Z:\Plans\sheets\Project1\1-sht-removal01.dgn  
 PLOT DATE = 8/25/2016 1:27:59 PM

DESIGNED	-	BAG	REVISED	-
DRAWN	-	RLA	REVISED	-
CHECKED	-	MGD	REVISED	-
DATE	-	8/26/2016	REVISED	-

STATE OF ILLINOIS  
 DEPARTMENT OF TRANSPORTATION

PROJECT 1 - GREEN STREET  
 REMOVAL PLAN

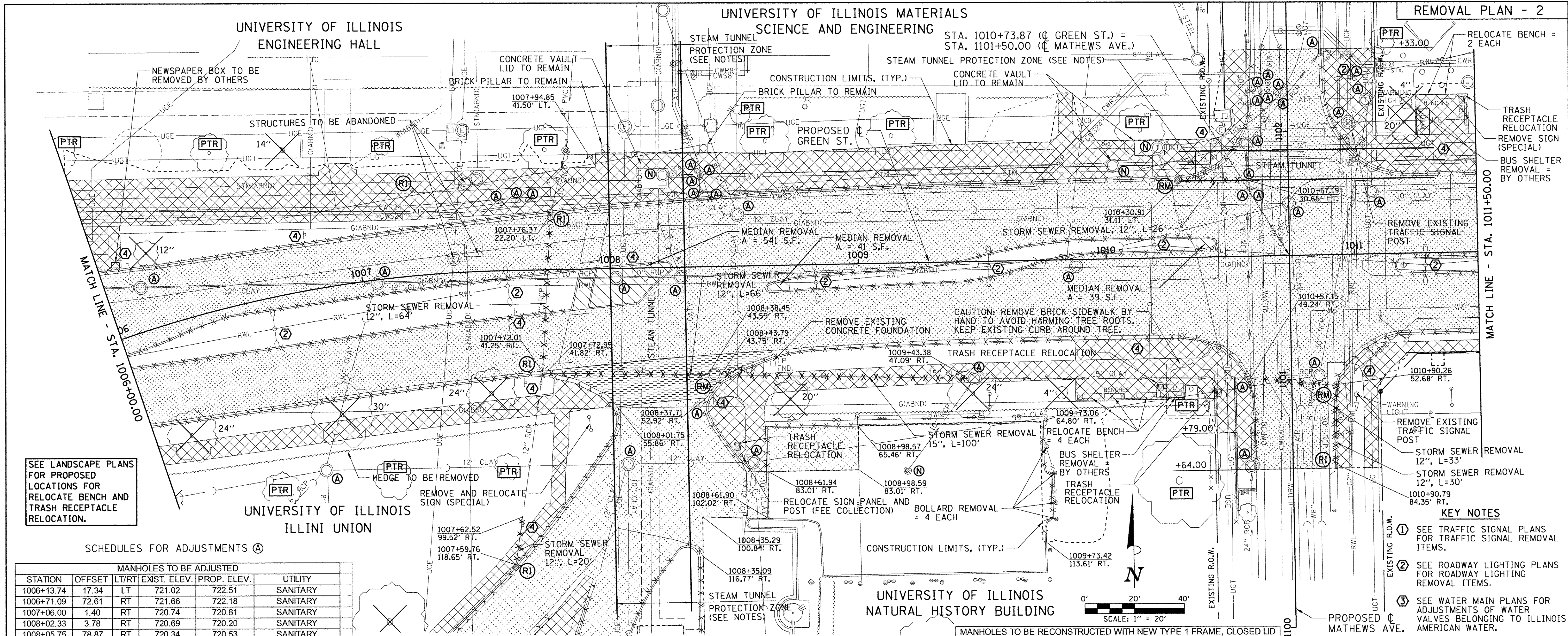
SCALE: 1"=20' SHEET NO. OF SHEETS STA. 1001+71.29 TO STA. 1006+00.00

F.A.U. RTE.	SECTION	COUNTY	TOTAL SHEETS	SHEET NO.
7126	15-00304-01-PV	CHAMPAIGN	236	31
MCORE PROJECT 1			CONTRACT NO. 91539	
JOB NO. C-95-305-16 ILLINOIS FED. AID PROJECT TIG-5181057				

UNIVERSITY OF ILLINOIS MATERIALS SCIENCE AND ENGINEERING

UNIVERSITY OF ILLINOIS ENGINEERING HALL

STA. 1010+73.87 (C GREEN ST.) = STA. 1101+50.00 (C MATHEWS AVE.)



SEE LANDSCAPE PLANS FOR PROPOSED LOCATIONS FOR RELOCATE BENCH AND TRASH RECEPTACLE RELOCATION.

SCHEDULES FOR ADJUSTMENTS (A)

MANHOLES TO BE ADJUSTED					
STATION	OFFSET	LT/RT	EXIST. ELEV.	PROP. ELEV.	UTILITY
1006+13.74	17.34	LT	721.02	722.51	SANITARY
1006+71.09	72.61	RT	721.66	722.18	SANITARY
1007+06.00	1.40	RT	720.74	720.81	SANITARY
1008+02.33	3.78	RT	720.69	720.20	SANITARY
1008+05.75	78.87	RT	720.34	720.53	SANITARY
1008+28.36	3.99	RT	719.93	720.04	SANITARY
1008+51.50	20.65	LT	719.64	719.69	SANITARY
1008+56.04	79.16	RT	720.31	719.97	SANITARY
1009+46.04	47.18	RT	719.75	719.24	STORM
1009+87.83	2.66	RT	719.10	719.11	GAS
1010+57.20	45.09	LT	717.51	717.90	STORM
1101+70.94	0.11	RT	718.13	718.23	SANITARY
1101+75.20	33.54	RT	717.89	717.83	SANITARY
1102+03.37	24.34	RT	717.66	717.92	ELECTRICAL
1102+12.25	31.65	RT	717.76	717.81	TELEPHONE

VALVE BOXES TO BE ADJUSTED					
STATION	OFFSET	LT/RT	EXIST. ELEV.	PROP. ELEV.	UTILITY
1007+56.61	27.16	LT	720.57	719.88	AIR
1007+63.52	28.02	LT	720.54	719.70	CWR
1007+67.44	28.09	LT	720.53	719.66	CWS
1008+35.58	38.64	LT	720.27	719.76	CWR
1008+36.70	36.04	LT	720.23	719.72	AIR
1008+37.34	30.24	LT	720.26	719.57	CWR
1008+37.60	37.55	LT	720.26	719.73	CWS
1008+40.59	27.10	LT	719.75	719.53	CWS
1010+58.06	29.05	LT	717.99	718.13	WATER
1010+58.37	25.51	LT	718.17	718.21	WATER
1010+60.28	27.27	LT	718.09	718.16	WATER
1010+60.53	67.17	LT	716.85	717.00	CWR
1010+63.50	65.90	LT	716.88	717.08	CWR
1010+66.09	66.87	LT	716.91	717.09	CWR
1010+66.54	69.56	LT	716.91	717.02	AIR
1010+69.72	65.87	LT	716.98	717.17	CWS
1010+71.69	64.45	LT	712.05	717.24	CWS

SEE REMOVAL PLAN - 7 FOR CONTINUATION

- LEGEND**
- U.P. DND - UTILITY POLE DO NOT DISTURB
  - U.P. TBRBO - UTILITY POLE TO BE RELOCATED BY OTHERS
  - (A) - STRUCTURE TO BE ADJUSTED
  - (RM/RI) - REMOVING MANHOLES/INLETS
  - (N) - STRUCTURE NO WORK REQUIRED
  - (PM) - PARKING METERS TO BE REMOVED
  - (PTR) - PROTECT TREE TO REMAIN (SEE LANDSCAPE PLANS)
  - [Pattern] - PAVEMENT REMOVAL
  - [Pattern] - DRIVEWAY PAVEMENT REMOVAL
  - [Pattern] - CURB REMOVAL
  - [Pattern] - COMB. CURB AND GUTTER REMOVAL
  - [Pattern] - SIDEWALK REMOVAL
  - [Pattern] - MEDIAN REMOVAL
  - [Pattern] - STORM SEWER REMOVAL
  - [Pattern] - TREE REMOVAL

MANHOLES TO BE RECONSTRUCTED WITH NEW TYPE 11 FRAME AND GRATE					
STATION	OFFSET	LT/RT	EXIST. ELEV.	PROP. ELEV.	UTILITY
1100+65.18	16.79	LT	718.82	718.14	STORM

MANHOLES TO BE RECONSTRUCTED WITH NEW TYPE 1 FRAME, CLOSED LID					
STATION	OFFSET	LT/RT	EXIST. ELEV.	PROP. ELEV.	UTILITY
1101+00.38	17.45	LT	718.19	718.33	STORM

MANHOLES TO BE ADJUSTED WITH NEW TYPE 1 FRAME, CLOSED LID					
STATION	OFFSET	LT/RT	EXIST. ELEV.	PROP. ELEV.	UTILITY
1101+01.24	11.22	RT	718.16	718.16	SANITARY

\*NOTE - RECONSTRUCT WITH NEW FRAME AND GRATE ON EXISTING STRUCTURE IF POSSIBLE. REVIEW IN FIELD WITH ENGINEER TO DETERMINE WORK TO BE COMPLETED.

**GREEN STREET STEAM TUNNEL NOTE:** EXISTING BRICK STEAM TUNNEL CROSSING UNDER GREEN STREET. EXTREME CAUTION SHALL BE EXERCISED BY ALL CONTRACTORS TO AVOID DISTURBING OR DAMAGING THE TUNNEL. BREAKERS SHALL NOT BE USED WITHIN 20 FEET EAST AND WEST OF THE TUNNEL. ONCE THE EXISTING PAVEMENT IS REMOVED IT IS RECOMMENDED THAT NO EQUIPMENT OR TRUCKS BE ALLOWED TO DRIVE OVER THE TUNNEL UNTIL AT LEAST THE PCC BASE COURSE, 12" HAS BEEN PLACED AND CURED. IT IS THEN UP TO THE CONTRACTORS' DISCRETION ON WHAT EQUIPMENT, TRUCKS, AND FULLY LOADED TRUCKS MAY DRIVE OVER THE TUNNEL. IT WILL BE THE CONTRACTORS RESPONSIBILITY TO REPAIR ANY DAMAGE CAUSED TO THE TUNNEL DURING CONSTRUCTION. REPAIRS SHALL BE TO THE SATISFACTION OF THE ENGINEER AND THE UNIVERSITY OF ILLINOIS. IT IS SUGGESTED THE CONTRACTOR CONDUCT PRE AND POST CONSTRUCTION INSPECTIONS OF THE TUNNEL WITH UNIVERSITY OF ILLINOIS STAFF.

**MATHEWS STREET STEAM TUNNEL NOTE:** STA. 1101+80.50 TO STA. 1101+92.50 EXISTING WOOD LOG STEAM PIPE CONDUIT CROSSING UNDER MATHEWS STREET. EXTREME CAUTION SHALL BE EXERCISED BY ALL CONTRACTORS TO AVOID DISTURBING OR DAMAGING THE CONDUIT. BREAKERS SHALL NOT BE USED WITHIN 10 FEET NORTH AND SOUTH OF THE TUNNEL AND ONCE THE EXISTING PAVEMENT IS REMOVED NO EQUIPMENT OR TRUCKS SHALL BE ALLOWED TO DRIVE OVER THE TUNNEL UNTIL THE FINAL PAVEMENT HAS BEEN CONSTRUCTED. INSULATION ON THE PIPE INSIDE THE CONDUIT MAY CONTAIN ASBESTOS. IF DISTURBED CONTRACTOR SHALL ABATE AND REPAIR AS NECESSARY.

MANHOLES TO BE RECONSTRUCTED WITH NEW TYPE 1 FRAME, CLOSED LID					
STATION	OFFSET	LT/RT	EXIST. ELEV.	PROP. ELEV.	UTILITY
1101+00.38	17.45	LT	718.19	718.33	STORM

MANHOLES TO BE ADJUSTED WITH NEW TYPE 1 FRAME, CLOSED LID					
STATION	OFFSET	LT/RT	EXIST. ELEV.	PROP. ELEV.	UTILITY
1101+01.24	11.22	RT	718.16	718.16	SANITARY

HANDHOLE TO BE ADJUSTED					
STATION	OFFSET	LT/RT	EXIST. ELEV.	PROP. ELEV.	UTILITY
1008+35.02	55.61	RT	719.96	719.91	TRAFFIC
1011+01.40	70.73	LT	717.45	717.49	ELECTRICAL

EXISTING PAVEMENTS, CURBS AND GUTTERS, AND SIDEWALKS IN WHICH THE TOP SURFACE IS TO BE JOINED TO THE PROPOSED WORK SHALL BE SO JOINED THROUGH SAW CUT JUNCTURES.

THE REMOVAL AND RELOCATION OF VARIOUS TRAFFIC SIGNS NOTED HEREON SHALL BE AS DIRECTED BY THE ENGINEER AND AS SPECIFIED IN THE STANDARD SPECIFICATIONS. THIS WORK SHALL NOT BE PAID FOR SEPARATELY AND IS CONSIDERED INCLUDED IN THE VARIOUS REMOVAL ITEMS.

ADJUSTMENT AND RELOCATION OF UNIVERSITY OF ILLINOIS OWNED UTILITIES SHALL BE PERFORMED BY THE CONTRACTOR AS NOTED IN THE PLANS AND SPECIFICATIONS. THE UNIVERSITY REQUIRES 72 HOUR PRIOR NOTIFICATION FOR ANY ADJUSTMENTS OR RELOCATIONS OF UNIVERSITY UTILITIES. SEE THE GENERAL NOTES SHEET AND THE VARIOUS PLAN SHEETS SHOWING UTILITY ADJUSTMENTS OR RELOCATIONS FOR ADDITIONAL INFORMATION. ALSO, SEE TEMPORARY SUPPORT OF EXISTING UTILITIES ON THE MISCELLANEOUS DETAILS SHEET.

THE ADJUSTMENTS OR RELOCATIONS OF VARIOUS PRIVATE UTILITY FACILITIES WILL BE MADE BY THE UTILITY OWNERS DURING CONSTRUCTION. THE CONTRACTOR AND THE VARIOUS PRIVATE UTILITY COMPANIES SHALL COOPERATE WITH ONE ANOTHER SO THAT THE ADJUSTMENTS OR RELOCATIONS CAN BE PERFORMED IN A TIMELY AND EFFICIENT MANNER. THIS WORK SHALL BE PERFORMED IN ACCORDANCE WITH ARTICLE 107.39 OF THE STANDARD SPECIFICATIONS. SEE THE GENERAL NOTES SHEET AND THE VARIOUS PLAN SHEETS SHOWING UTILITY ADJUSTMENTS OR RELOCATIONS FOR ADDITIONAL INFORMATION.

© Copyright Hanson Professional Services Inc. 2016  
HANSON Professional Services Inc.

LAYOUT: BAB 11/24/15  
DRAWN: RLA 2/4/16  
REVIEWED: MGD 3/22/16

FILE NAME = Z:\Plans\sheets\Project1\P1-sht-remova102.dgn  
PLOT DATE = 8/25/2016 1:28:04 PM

DESIGNED - BAB  
DRAWN - RLA  
CHECKED - MGD  
DATE - 8/26/2016

REVISED -  
REVISED -  
REVISED -  
REVISED -

STATE OF ILLINOIS  
DEPARTMENT OF TRANSPORTATION

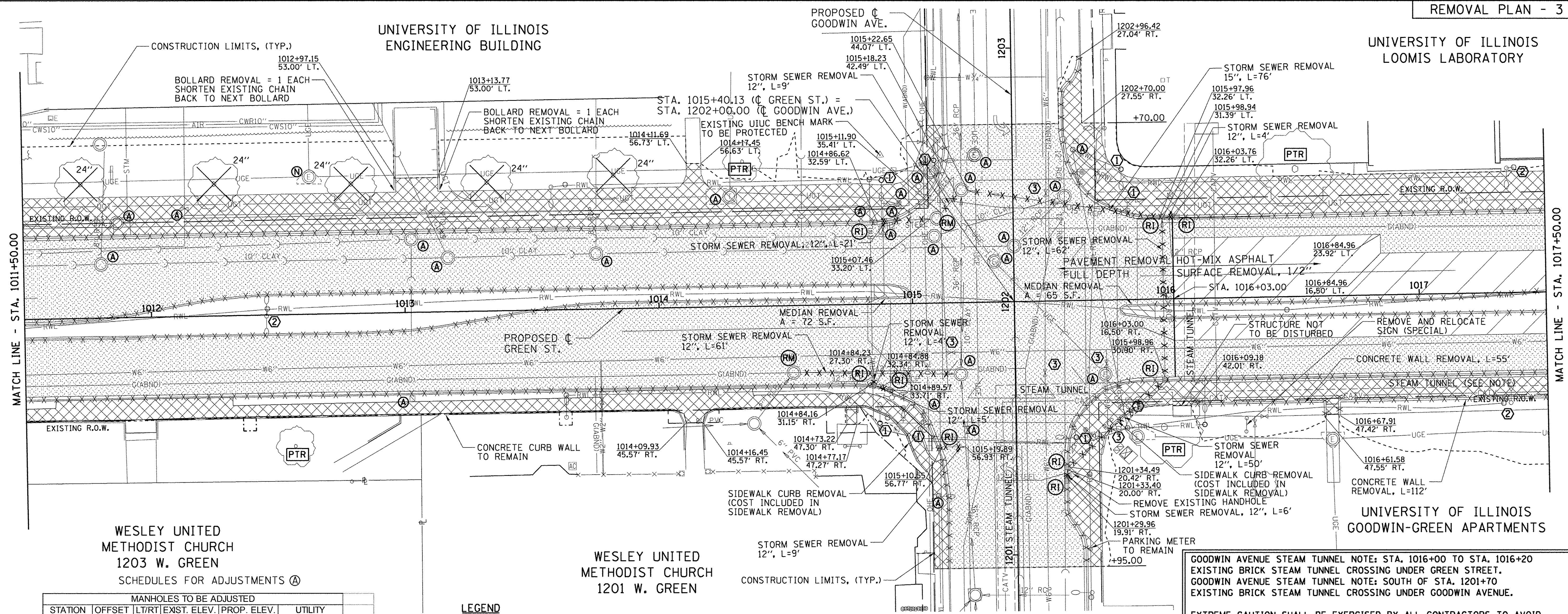
PROJECT 1 - GREEN STREET  
REMOVAL PLAN  
SCALE: 1"=20' SHEET NO. OF SHEETS STA. 1006+00.00 TO STA. 1011+50.00

F.A.U. RTE.	SECTION	COUNTY	TOTAL SHEETS	SHEET NO.
7126	15-00304-01-PV	CHAMPAIGN	236	32
MCORE PROJECT 1			CONTRACT NO. 91539	
JOB NO. C-95-305-16 ILLINOIS FED. AID PROJECT TIG-51810571				



UNIVERSITY OF ILLINOIS  
ENGINEERING BUILDING

UNIVERSITY OF ILLINOIS  
LOOMIS LABORATORY



WESLEY UNITED  
METHODIST CHURCH  
1203 W. GREEN  
SCHEDULES FOR ADJUSTMENTS (A)

WESLEY UNITED  
METHODIST CHURCH  
1201 W. GREEN

UNIVERSITY OF ILLINOIS  
GOODWIN-GREEN APARTMENTS

MANHOLES TO BE ADJUSTED					
STATION	OFFSET	LT/RT	EXIST. ELEV.	PROP. ELEV.	UTILITY
1011+80.56	21.22	LT	717.50	717.51	SANITARY
1013+02.86	28.89	LT	716.66	717.65	SANITARY
1013+17.27	21.35	LT	716.75	716.76	SANITARY
1013+75.53	21.94	LT	716.34	716.40	SANITARY
1014+28.53	43.49	LT	716.53	717.18	TELEPHONE UI
1015+08.19	51.81	LT	715.56	715.90	ELECTRICAL UI
1201+70.80	35.43	RT	716.15	716.86	ELECTRICAL UI
1201+71.72	21.47	LT	716.05	716.72	STORM
1202+16.03	7.65	LT	716.18	716.37	ELECTRICAL
1202+21.99	0.18	RT	716.16	716.34	SANITARY
1202+26.32	31.24	LT	715.65	716.00	SANITARY
1202+41.33	20.35	RT	715.79	715.98	SANITARY
1202+44.41	20.29	LT	715.68	715.80	STORM
1202+58.16	14.88	LT	715.70	715.73	ELECTRICAL UI

MANHOLES TO BE ADJUSTED WITH NEW TYPE 1 FRAME, CLOSED LID					
STATION	OFFSET	LT/RT	EXIST. ELEV.	PROP. ELEV.	UTILITY
1011+86.99	37.46	LT	718.00	718.19	STEAM UI

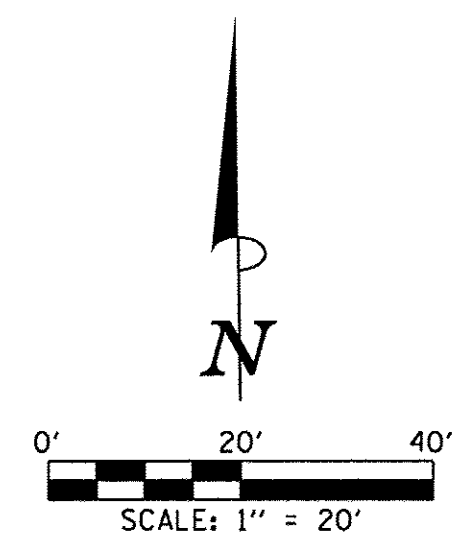
HANDHOLE TO BE ADJUSTED					
STATION	OFFSET	LT/RT	EXIST. ELEV.	PROP. ELEV.	UTILITY
1013+02.24	33.98	RT	717.09	717.22	TRAFFIC
1014+95.32	39.92	LT	715.28	715.88	TRAFFIC
1015+07.26	76.30	RT	716.99	717.59	ELECTRICAL
1015+64.34	59.47	LT	715.80	716.17	ELECTRICAL

VALVE BOXES TO BE ADJUSTED					
STATION	OFFSET	LT/RT	EXIST. ELEV.	PROP. ELEV.	UTILITY
1012+13.76	42.46	LT	718.00	718.39	WATER UI
1014+82.07	38.31	LT	715.99	716.02	WATER UI
1014+88.88	29.31	LT	715.28	716.20	WATER UI
1014+94.74	38.50	LT	715.29	715.91	WATER UI
1015+10.05	38.27	RT	715.85	716.73	WATER UI
1015+20.82	50.15	RT	716.26	716.94	WATER UI

UI = UNIVERSITY OF ILLINOIS OWNED UTILITY

- LEGEND**
- U.P. DND - UTILITY POLE DO NOT DISTURB
  - U.P. TBRBO - UTILITY POLE TO BE RELOCATED BY OTHERS
  - (A) - STRUCTURE TO BE ADJUSTED
  - (RM)(RI) - REMOVING MANHOLES/INLETS
  - (N) - STRUCTURE NO WORK REQUIRED
  - (PM) - PARKING METERS TO BE REMOVED
  - (PTR) - PROTECTED TREE TO REMAIN (SEE LANDSCAPE PLANS)
  - [Hatched] - PAVEMENT REMOVAL
  - [Diagonal Lines] - HOT-MIX ASPHALT SURFACE REMOVAL, 1/2"
  - [Cross-hatched] - DRIVEWAY PAVEMENT REMOVAL
  - [Dashed] - CURB REMOVAL
  - [Dotted] - COMBINATION CURB AND GUTTER REMOVAL
  - [Cross-hatched] - SIDEWALK REMOVAL
  - [Diagonal Lines] - MEDIAN REMOVAL
  - [X-X] - STORM SEWER REMOVAL
  - [X-X] - TREE REMOVAL

- KEY NOTES**
- 1 SEE TRAFFIC SIGNAL PLANS FOR TRAFFIC SIGNAL REMOVAL ITEMS.
  - 2 SEE ROADWAY LIGHTING PLANS FOR ROADWAY LIGHTING REMOVAL ITEMS.
  - 3 SEE WATER MAIN PLANS FOR ADJUSTMENTS OF WATER VALVES BELONGING TO ILLINOIS AMERICAN WATER.
  - 4 SIGN REMOVAL PER ARTICLE 107.25



**EAST-WEST GREEN STREET STEAM TUNNEL NOTE:**  
EXISTING STEAM TUNNEL IS LOCATED NEAR THE SURFACE UNDER THE EXISTING SIDEWALK ALONG THE SOUTH SIDE OF GREEN STREET. THE EXACT DEPTH OF THE TUNNEL IS NOT KNOWN BUT RECORD DRAWINGS INDICATE THAT IS MAY BE AS SHALLOW AS 10-12 INCHES BELOW EXISTING TOP OF SIDEWALK. WHILE THE PROPOSED IMPROVEMENTS STAY AT OR ABOVE THE EXISTING SIDEWALK GRADES THAT CONTRACTOR MUST FIELD VERIFY THE LOCATION OF THE TUNNEL IN THE FIELD.

EXTREME CAUTION SHALL BE EXERCISED BY ALL CONTRACTORS TO AVOID DISTURBING OR DAMAGING THE TUNNEL. IT WILL BE THE CONTRACTOR'S RESPONSIBILITY TO REPAIR ANY DAMAGE CAUSED TO THE TUNNEL DURING CONSTRUCTION. REPAIRS SHALL BE TO THE SATISFACTION OF THE ENGINEER AND THE UNIVERSITY OF ILLINOIS. IT IS SUGGESTED THE CONTRACTOR CONDUCT PRE AND POST CONSTRUCTION INSPECTIONS OF THE TUNNEL WITH UNIVERSITY OF ILLINOIS STAFF.

**GOODWIN AVENUE STEAM TUNNEL NOTE:** STA. 1016+00 TO STA. 1016+20 EXISTING BRICK STEAM TUNNEL CROSSING UNDER GREEN STREET.  
**GOODWIN AVENUE STEAM TUNNEL NOTE:** SOUTH OF STA. 1201+70 EXISTING BRICK STEAM TUNNEL CROSSING UNDER GOODWIN AVENUE.

EXTREME CAUTION SHALL BE EXERCISED BY ALL CONTRACTORS TO AVOID DISTURBING OR DAMAGING THE TUNNEL. BREAKERS SHALL NOT BE USED WITHIN 10 FEET EAST AND WEST OF THE TUNNEL AND ONCE THE EXISTING PAVEMENT IS REMOVED NO EQUIPMENT OR TRUCKS SHALL BE ALLOWED TO DRIVE OVER THE TUNNEL UNTIL THE FINAL PAVEMENT HAS BEEN CONSTRUCTED.

EXISTING PAVEMENTS, CURBS AND GUTTERS, AND SIDEWALKS IN WHICH THE TOP SURFACE IS TO BE JOINED TO THE PROPOSED WORK SHALL BE SO JOINED THROUGH SAW CUT JUNCTURES.

SEE LANDSCAPE PLANS FOR PROPOSED LOCATIONS FOR RELOCATE BENCH AND TRASH RECEPTACLE RELOCATION.

THE REMOVAL AND RELOCATION OF VARIOUS TRAFFIC SIGNS NOTED HEREON SHALL BE AS DIRECTED BY THE ENGINEER AND AS SPECIFIED IN THE STANDARD SPECIFICATIONS. THIS WORK SHALL NOT BE PAID FOR SEPARATELY AND IS CONSIDERED INCLUDED IN THE VARIOUS REMOVAL ITEMS.

ADJUSTMENT AND RELOCATION OF UNIVERSITY OF ILLINOIS OWNED UTILITIES SHALL BE PERFORMED BY THE CONTRACTOR AS NOTED IN THE PLANS AND SPECIFICATIONS. THE UNIVERSITY REQUIRES 72 HOUR PRIOR NOTIFICATION FOR ANY ADJUSTMENTS OR RELOCATIONS OF UNIVERSITY UTILITIES. SEE THE GENERAL NOTES SHEET AND THE VARIOUS PLAN SHEETS SHOWING UTILITY ADJUSTMENTS OR RELOCATIONS FOR ADDITIONAL INFORMATION. ALSO, SEE TEMPORARY SUPPORT OF EXISTING UTILITIES ON THE MISCELLANEOUS DETAILS SHEET.

THE ADJUSTMENTS OR RELOCATIONS OF VARIOUS PRIVATE UTILITY FACILITIES WILL BE MADE BY THE UTILITY OWNERS DURING CONSTRUCTION. THE CONTRACTOR AND THE VARIOUS PRIVATE UTILITY COMPANIES SHALL COOPERATE WITH ONE ANOTHER SO THAT THE ADJUSTMENTS OR RELOCATIONS CAN BE PERFORMED IN A TIMELY AND EFFICIENT MANNER. THIS WORK SHALL BE PERFORMED IN ACCORDANCE WITH ARTICLE 107.39 OF THE STANDARD SPECIFICATIONS. SEE THE GENERAL NOTES SHEET AND THE VARIOUS PLAN SHEETS SHOWING UTILITY ADJUSTMENTS OR RELOCATIONS FOR ADDITIONAL INFORMATION.

© Copyright Hanson Professional Services Inc. 2016  
**HANSON**  
Hanson Professional Services Inc.

LAYOUT 11/24/15  
DRAWN RLA 2/4/16  
REVIEWED MGD 3/22/16

FILE NAME = Z:\Plans\sheets\Project1\P1-sht-removal03.dgn  
PLOT DATE = 8/25/2016 1:28:08 PM

DESIGNED -	BAB	REVISED -	
DRAWN -	RLA	REVISED -	
CHECKED -	MGD	REVISED -	
DATE -	8/26/2016	REVISED -	

STATE OF ILLINOIS  
DEPARTMENT OF TRANSPORTATION

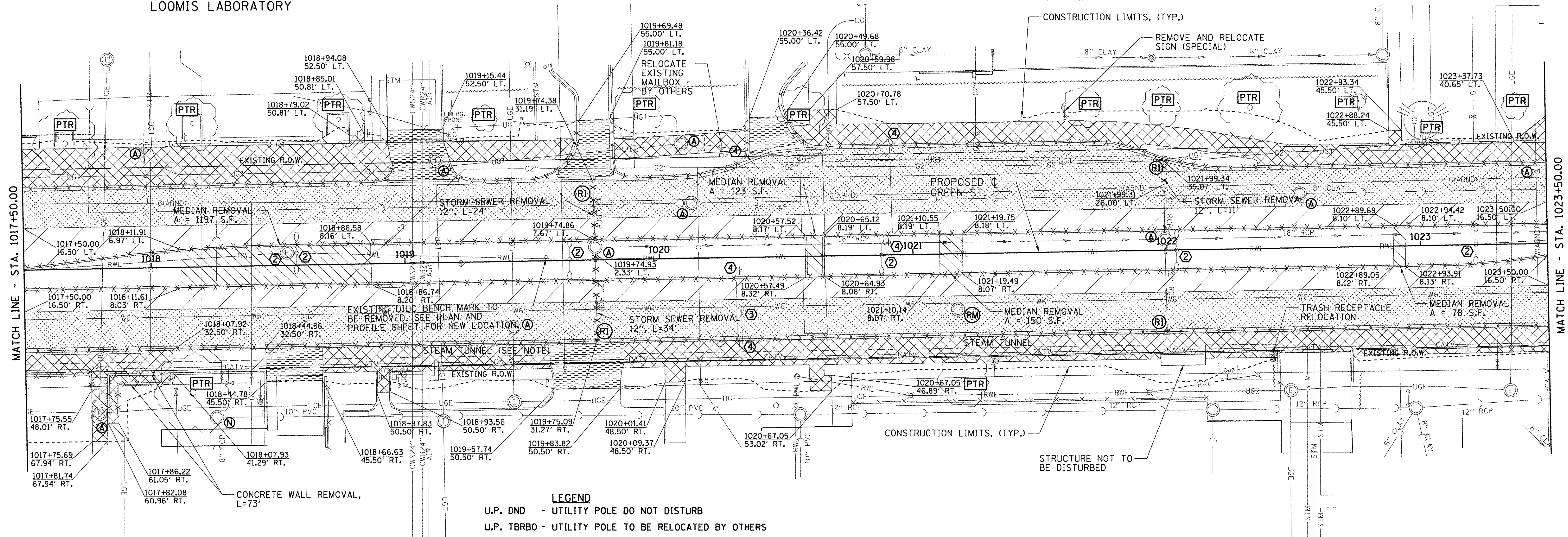
PROJECT 1 - GREEN STREET  
REMOVAL PLAN

SCALE: 1"=20' SHEET NO. OF SHEETS STA. 1011+50.00 TO STA. 1017+50.00

F.A.U. RTE.	SECTION	COUNTY	TOTAL SHEETS	SHEET NO.
7126	15-00304-01-PV	CHAMPAIGN	236	33
MCORE PROJECT 1			CONTRACT NO. 91539	
JOB NO. C-95-305-16 ILLINOIS FED. AID PROJECT TIG-5181(057)				

UNIVERSITY OF ILLINOIS  
LOOMIS LABORATORY

UNIVERSITY OF ILLINOIS  
DANIELS HALL

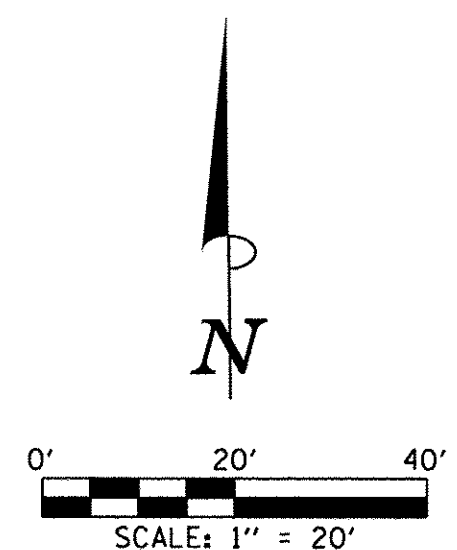


UNIVERSITY OF ILLINOIS  
GOODWIN-GREEN APARTMENTS

UNIVERSITY OF ILLINOIS  
ILLINOIS STREET RESIDENCE HALLS

- LEGEND**
- U.P. DND - UTILITY POLE DO NOT DISTURB
  - U.P. TBRBO - UTILITY POLE TO BE RELOCATED BY OTHERS
  - (A) - STRUCTURE TO BE ADJUSTED
  - (RM) (RI) - REMOVING MANHOLES/INLETS
  - (N) - STRUCTURE NO WORK REQUIRED
  - (PM) - PARKING METERS TO BE REMOVED
  - (PTR) - PROTECT TREE TO REMAIN (SEE LANDSCAPE PLANS)
  - [Pattern] - PAVEMENT REMOVAL
  - [Pattern] - HOT-MIX ASPHALT SURFACE REMOVAL, 1/2"
  - [Pattern] - DRIVEWAY PAVEMENT REMOVAL
  - [Pattern] - CURB REMOVAL
  - [Pattern] - COMBINATION CURB AND GUTTER REMOVAL
  - [Pattern] - SIDEWALK REMOVAL
  - [Pattern] - MEDIAN REMOVAL
  - [Pattern] - STORM SEWER REMOVAL
  - [Pattern] - TREE REMOVAL

- KEY NOTES**
- ① SEE TRAFFIC SIGNAL PLANS FOR TRAFFIC SIGNAL REMOVAL ITEMS.
  - ② SEE ROADWAY LIGHTING PLANS FOR ROADWAY LIGHTING REMOVAL ITEMS.
  - ③ SEE WATER MAIN PLANS FOR ADJUSTMENTS OF WATER VALVES BELONGING TO ILLINOIS AMERICAN WATER.
  - ④ SIGN REMOVAL PER ARTICLE 107.25



SEE LANDSCAPE PLANS FOR PROPOSED LOCATIONS FOR RELOCATE BENCH AND TRASH RECEPTACLE RELOCATION.

EXISTING PAVEMENTS, CURBS AND GUTTERS, AND SIDEWALKS IN WHICH THE TOP SURFACE IS TO BE JOINED TO THE PROPOSED WORK SHALL BE SO JOINED THROUGH SAW CUT JUNCTURES.

THE REMOVAL AND RELOCATION OF VARIOUS TRAFFIC SIGNS NOTED HEREON SHALL BE AS DIRECTED BY THE ENGINEER AND AS SPECIFIED IN THE STANDARD SPECIFICATIONS. THIS WORK SHALL NOT BE PAID FOR SEPARATELY AND IS CONSIDERED INCLUDED IN THE VARIOUS REMOVAL ITEMS.

ADJUSTMENT AND RELOCATION OF UNIVERSITY OF ILLINOIS OWNED UTILITIES SHALL BE PERFORMED BY THE CONTRACTOR AS NOTED IN THE PLANS AND SPECIFICATIONS. THE UNIVERSITY REQUIRES 72 HOUR PRIOR NOTIFICATION FOR ANY ADJUSTMENTS OR RELOCATIONS OF UNIVERSITY UTILITIES. SEE THE GENERAL NOTES SHEET AND THE VARIOUS PLAN SHEETS SHOWING UTILITY ADJUSTMENTS OR RELOCATIONS FOR ADDITIONAL INFORMATION. ALSO, SEE TEMPORARY SUPPORT OF EXISTING UTILITIES ON THE MISCELLANEOUS DETAILS SHEET.

THE ADJUSTMENTS OR RELOCATIONS OF VARIOUS PRIVATE UTILITY FACILITIES WILL BE MADE BY THE UTILITY OWNERS DURING CONSTRUCTION. THE CONTRACTOR AND THE VARIOUS PRIVATE UTILITY COMPANIES SHALL COOPERATE WITH ONE ANOTHER SO THAT THE ADJUSTMENTS OR RELOCATIONS CAN BE PERFORMED IN A TIMELY AND EFFICIENT MANNER. THIS WORK SHALL BE PERFORMED IN ACCORDANCE WITH ARTICLE 107.39 OF THE STANDARD SPECIFICATIONS. SEE THE GENERAL NOTES SHEET AND THE VARIOUS PLAN SHEETS SHOWING UTILITY ADJUSTMENTS OR RELOCATIONS FOR ADDITIONAL INFORMATION.

**EAST-WEST GREEN STREET STEAM TUNNEL NOTE:**  
EXISTING STEAM TUNNEL IS LOCATED NEAR THE SURFACE UNDER THE EXISTING SIDEWALK ALONG THE SOUTH SIDE OF GREEN STREET. THE EXACT DEPTH OF THE TUNNEL IS NOT KNOWN BUT RECORD DRAWINGS INDICATE THAT IT MAY BE AS SHALLOW AS 10-12 INCHES BELOW EXISTING TOP OF SIDEWALK. WHILE THE PROPOSED IMPROVEMENTS STAY AT OR ABOVE THE EXISTING SIDEWALK GRADES THAT CONTRACTOR MUST FIELD VERIFY THE LOCATION OF THE TUNNEL IN THE FIELD.

EXTREME CAUTION SHALL BE EXERCISED BY ALL CONTRACTORS TO AVOID DISTURBING OR DAMAGING THE TUNNEL. IT WILL BE THE CONTRACTOR'S RESPONSIBILITY TO REPAIR ANY DAMAGE CAUSED TO THE TUNNEL DURING CONSTRUCTION. REPAIRS SHALL BE TO THE SATISFACTION OF THE ENGINEER AND THE UNIVERSITY OF ILLINOIS. IT IS SUGGESTED THE CONTRACTOR CONDUCT PRE AND POST CONSTRUCTION INSPECTIONS OF THE TUNNEL WITH UNIVERSITY OF ILLINOIS STAFF.

SCHEDULES FOR ADJUSTMENTS (A)

MANHOLES TO BE ADJUSTED						
STATION	OFFSET	LT/RT	EXIST. ELEV.	PROP. ELEV.	UTILITY	
1017+78.80	57.00	RT	720.66	718.87	ELECTRICAL	UI
1017+98.87	46.44	LT	718.26	718.26	TELEPHONE	UI
1019+12.65	40.31	LT	717.86	718.02	TELEPHONE	UI
1019+42.15	25.93	RT	717.13	717.97	ELECTRICAL	UI
1020+09.31	45.62	LT	717.42	717.78	TELEPHONE	UI
1020+13.00	21.79	LT	716.94	717.78	SANITARY	
1022+52.69	21.44	LT	716.18	716.68	SANITARY	

MANHOLES TO BE ADJUSTED (SPECIAL)						
STATION	OFFSET	LT/RT	EXIST. ELEV.	PROP. ELEV.	UTILITY	
1019+74.92	5.00	LT	718.10	718.15	STORM	UI
1021+99.25	4.25	LT	717.17	717.26	STORM	UI

VALVE BOXES TO BE ADJUSTED						
STATION	OFFSET	LT/RT	EXIST. ELEV.	PROP. ELEV.	UTILITY	
1023+45.99	28.78	LT	715.64	716.03	WATER	UI

UI = UNIVERSITY OF ILLINOIS OWNED UTILITY

LAYOUT	BAB	11/24/15
DRAWN	RLA	2/4/16
REVIEWED	MGD	3/22/16

FILE NAME = Z:\Plans\sheets\Project1\P1-sht-removal04.dgn  
PLOT DATE = 8/25/2016 1:28:12 PM

DESIGNED - BAB  
DRAWN - RLA  
CHECKED - MGD  
DATE - 8/26/2016

REVISED -  
REVISED -  
REVISED -  
REVISED -

STATE OF ILLINOIS  
DEPARTMENT OF TRANSPORTATION

PROJECT 1 - GREEN STREET  
REMOVAL PLAN

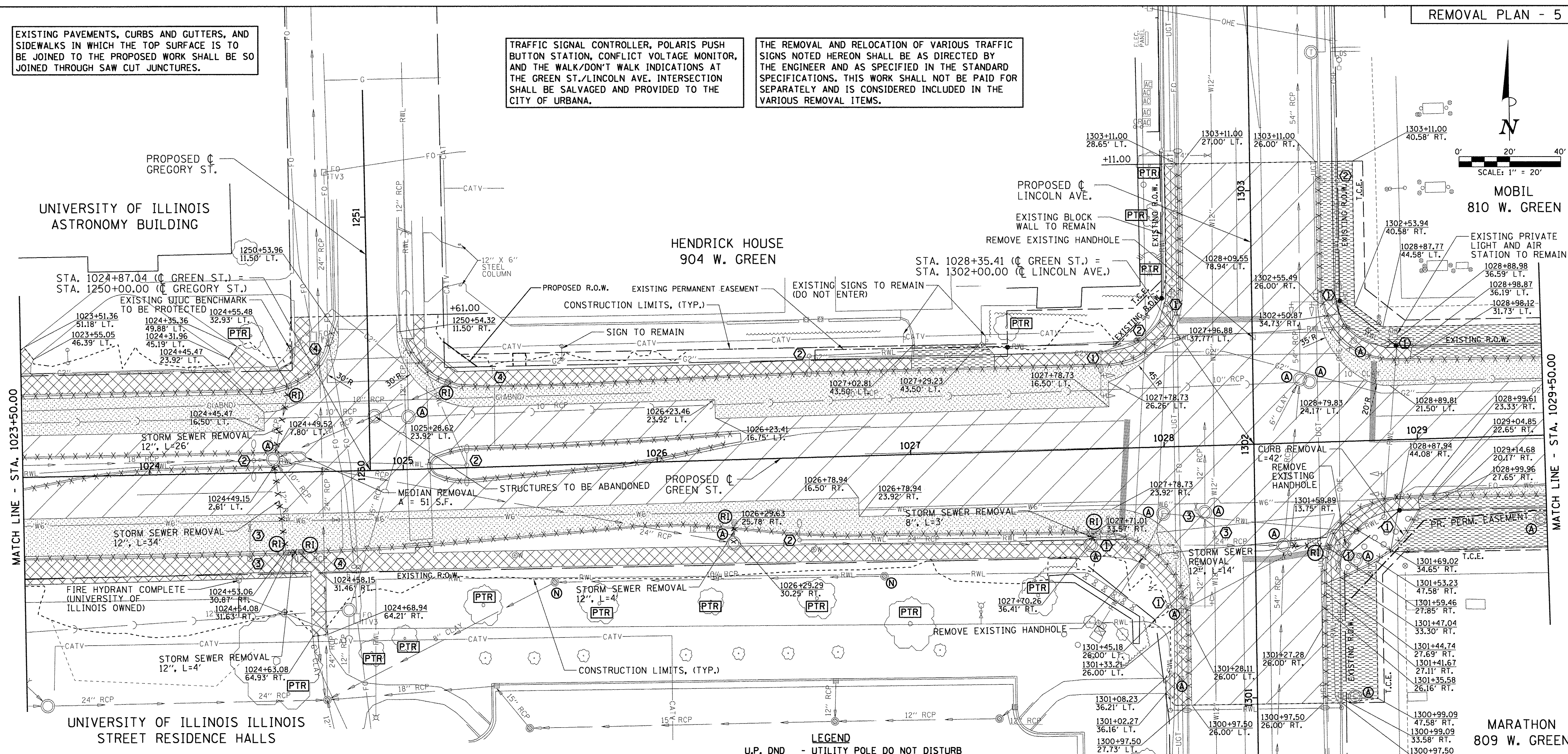
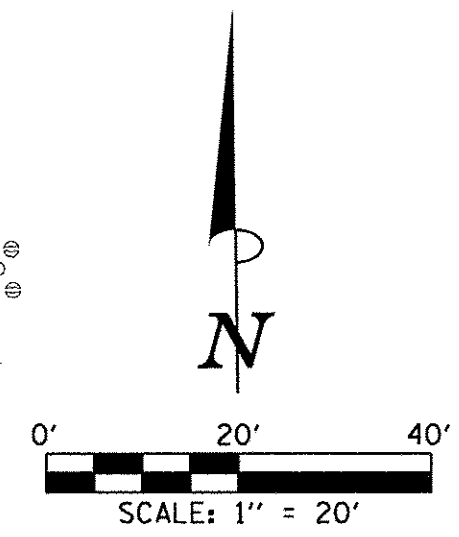
SCALE: 1"=20' SHEET NO. OF SHEETS STA. 1017+50.00 TO STA. 1023+50.00

F.A.U. RTE.	SECTION	COUNTY	TOTAL SHEETS	SHEET NO.
7126	15-00304-01-PV	CHAMPAIGN	236	34
MCORE PROJECT 1			CONTRACT NO. 91539	
JOB NO. C-95-305-16 ILLINOIS FED. AID PROJECT TIG-5181(057)				

EXISTING PAVEMENTS, CURBS AND GUTTERS, AND SIDEWALKS IN WHICH THE TOP SURFACE IS TO BE JOINED TO THE PROPOSED WORK SHALL BE SO JOINED THROUGH SAW CUT JUNCTURES.

TRAFFIC SIGNAL CONTROLLER, POLARIS PUSH BUTTON STATION, CONFLICT VOLTAGE MONITOR, AND THE WALK/DON'T WALK INDICATIONS AT THE GREEN ST./LINCOLN AVE. INTERSECTION SHALL BE SALVAGED AND PROVIDED TO THE CITY OF URBANA.

THE REMOVAL AND RELOCATION OF VARIOUS TRAFFIC SIGNS NOTED HEREON SHALL BE AS DIRECTED BY THE ENGINEER AND AS SPECIFIED IN THE STANDARD SPECIFICATIONS. THIS WORK SHALL NOT BE PAID FOR SEPARATELY AND IS CONSIDERED INCLUDED IN THE VARIOUS REMOVAL ITEMS.



SCHEDULES FOR ADJUSTMENTS (A)

MANHOLES TO BE ADJUSTED					
STATION	OFFSET	LT/RT	EXIST. ELEV.	PROP. ELEV.	UTILITY
1026+29.08	32.91	RT	717.06	716.70	STORM
1029+47.52	32.93	RT	717.63	717.71	ELECTRICAL
1300+99.88	38.52	RT	718.46	718.53	ELECTRICAL
1301+53.92	39.46	RT	718.36	717.72	ELECTRICAL

MANHOLES TO BE ADJUSTED WITH NEW TYPE 1 FRAME, CLOSED LID					
STATION	OFFSET	LT/RT	EXIST. ELEV.	PROP. ELEV.	UTILITY
1027+69.93	37.68	RT	717.72	717.67	STORM

HANDHOLE TO BE ADJUSTED					
STATION	OFFSET	LT/RT	EXIST. ELEV.	PROP. ELEV.	UTILITY
1301+08.01	29.91	LT	718.43	718.44	FIBER
1301+34.85	29.66	LT	718.37	718.37	FIBER
1302+40.19	40.06	RT	716.91	717.32	TRAFFIC

MANHOLES TO BE ADJUSTED (SPECIAL)					
STATION	OFFSET	LT/RT	EXIST. ELEV.	PROP. ELEV.	UTILITY
1024+48.75	5.25	LT	716.31	716.36	STORM
1027+98.83	26.28	RT	717.62	717.94	ELECTRICAL
1301+60.02	11.09	RT	717.77	718.13	STORM
1301+73.43	19.76	LT	717.73	717.71	STORM
1302+24.26	22.39	RT	717.20	717.70	SANITARY
1302+25.39	18.58	RT	717.18	717.69	STORM

SANITARY MANHOLES TO BE ADJUSTED WITH NEW TYPE 1 FRAME,					
STATION	OFFSET	LT/RT	EXIST. ELEV.	PROP. ELEV.	UTILITY
1025+02.61	20.83	LT	715.72	716.09	SANITARY

- KEY NOTES**
- SEE TRAFFIC SIGNAL PLANS FOR TRAFFIC SIGNAL REMOVAL ITEMS.
  - SEE ROADWAY LIGHTING PLANS FOR ROADWAY LIGHTING REMOVAL ITEMS.
  - SEE WATER MAIN PLANS FOR ADJUSTMENTS OF WATER VALVES BELONGING TO ILLINOIS AMERICAN WATER.
  - SIGN REMOVAL PER ARTICLE 107.25

- LEGEND**
- U.P. DND - UTILITY POLE DO NOT DISTURB
  - U.P. TBRBO - UTILITY POLE TO BE RELOCATED BY OTHERS
  - (A) - STRUCTURE TO BE ADJUSTED
  - (RM/RI) - REMOVING MANHOLES/INLETS
  - (N) - STRUCTURE NO WORK REQUIRED
  - (FM) - PARKING METERS TO BE REMOVED
  - (PTR) - PROTECTED TREE TO REMAIN (SEE LANDSCAPE PLANS)
  - [Pattern] - PAVEMENT REMOVAL
  - [Pattern] - HOT-MIX ASPHALT SURFACE REMOVAL, 1/2"
  - [Pattern] - DRIVEWAY PAVEMENT REMOVAL
  - [Pattern] - CURB REMOVAL
  - [Pattern] - COMBINATION CURB AND GUTTER REMOVAL
  - [Pattern] - SIDEWALK REMOVAL
  - [Pattern] - MEDIAN REMOVAL
  - [Pattern] - STORM SEWER REMOVAL
  - [Pattern] - TREE REMOVAL

SEE LANDSCAPE PLANS FOR PROPOSED LOCATIONS FOR RELOCATE BENCH AND TRASH RECEPTACLE RELOCATION.

ADJUSTMENT AND RELOCATION OF UNIVERSITY OF ILLINOIS OWNED UTILITIES SHALL BE PERFORMED BY THE CONTRACTOR AS NOTED IN THE PLANS AND SPECIFICATIONS. THE UNIVERSITY REQUIRES 72 HOUR PRIOR NOTIFICATION FOR ANY ADJUSTMENTS OR RELOCATIONS OF UNIVERSITY UTILITIES. SEE THE GENERAL NOTES SHEET AND THE VARIOUS PLAN SHEETS SHOWING UTILITY ADJUSTMENTS OR RELOCATIONS FOR ADDITIONAL INFORMATION. ALSO, SEE TEMPORARY SUPPORT OF EXISTING UTILITIES ON THE MISCELLANEOUS DETAILS SHEET.

THE ADJUSTMENTS OR RELOCATIONS OF VARIOUS PRIVATE UTILITY FACILITIES WILL BE MADE BY THE UTILITY OWNERS DURING CONSTRUCTION. THE CONTRACTOR AND THE VARIOUS PRIVATE UTILITY COMPANIES SHALL COOPERATE WITH ONE ANOTHER SO THAT THE ADJUSTMENTS OR RELOCATIONS CAN BE PERFORMED IN A TIMELY AND EFFICIENT MANNER. THIS WORK SHALL BE PERFORMED IN ACCORDANCE WITH ARTICLE 107.39 OF THE STANDARD SPECIFICATIONS. SEE THE GENERAL NOTES SHEET AND THE VARIOUS PLAN SHEETS SHOWING UTILITY ADJUSTMENTS OR RELOCATIONS FOR ADDITIONAL INFORMATION.

LAYOUT	BAB	11/24/15
DRAWN	RLA	2/4/16
REVIEWED	MGD	3/22/16

FILE NAME =	Z:\Plans\sheets\Project1\P1-sht-removal05.dgn
PLOT DATE =	8/25/2016 1:28:16 PM

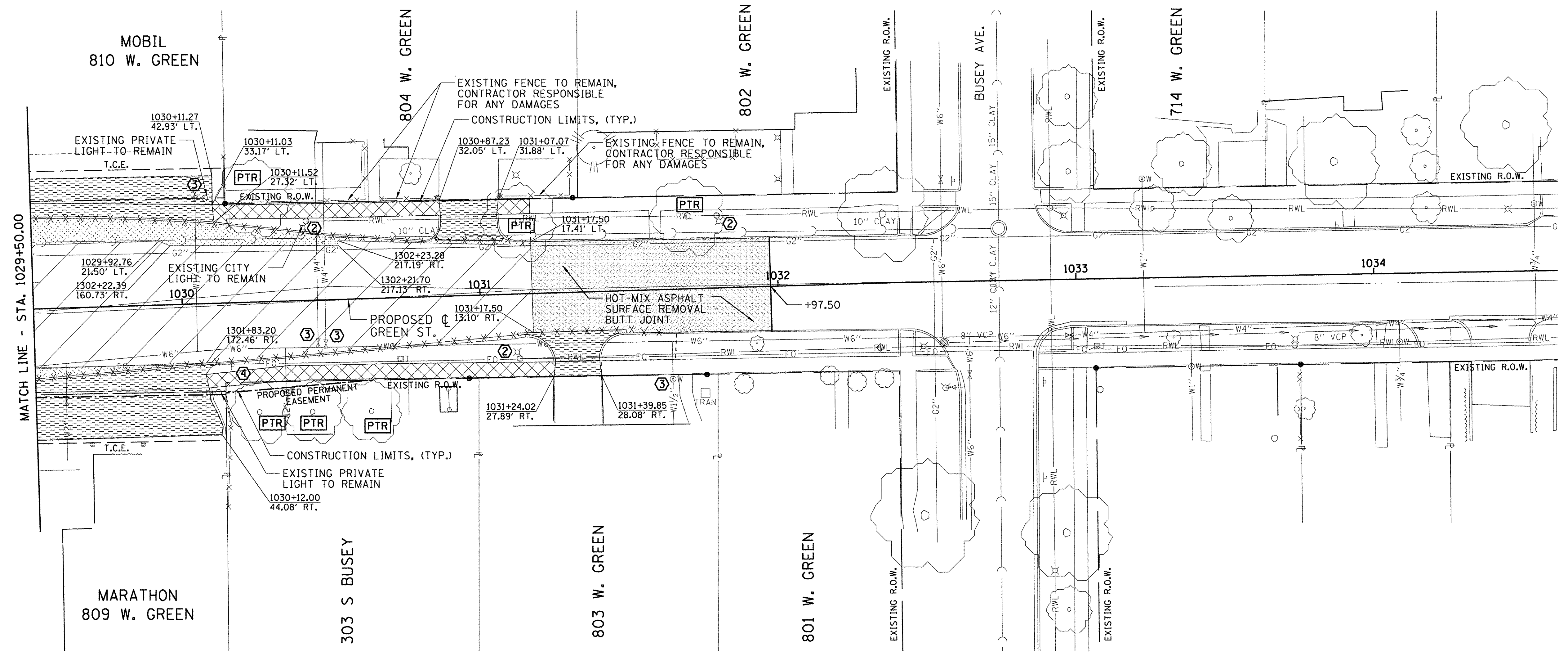
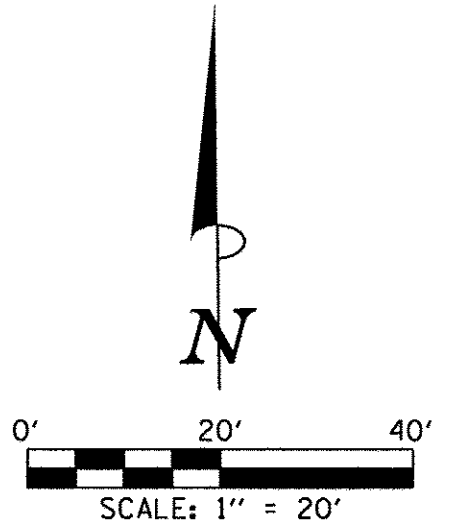
DESIGNED -	BAB	REVISED -	
DRAWN -	RLA	REVISED -	
CHECKED -	MGD	REVISED -	
DATE -	8/26/2016	REVISED -	

STATE OF ILLINOIS  
DEPARTMENT OF TRANSPORTATION

PROJECT 1 - GREEN STREET  
REMOVAL PLAN

SCALE: 1"=20'	SHEET NO. OF SHEETS	STA. 1023+50.00 TO STA. 1029+50.00
---------------	---------------------	------------------------------------

F.A.U. RTE.	SECTION	COUNTY	TOTAL SHEETS	SHEET NO.
7126	15-00304-01-PV	CHAMPAIGN	236	35
MCORE PROJECT 1			CONTRACT NO. 91539	
JOB NO. C-95-305-16 ILLINOIS FED. AID PROJECT TIC-5181057				



© Copyright Hanson Professional Services Inc. 2016  
**HANSON**  
 Hanson Professional Services Inc.

SEE LANDSCAPE PLANS FOR PROPOSED LOCATIONS FOR RELOCATE BENCH AND TRASH RECEPTACLE RELOCATION.

EXISTING PAVEMENTS, CURBS AND GUTTERS, AND SIDEWALKS IN WHICH THE TOP SURFACE IS TO BE JOINED TO THE PROPOSED WORK SHALL BE SO JOINED THROUGH SAW CUT JUNCTURES.

THE REMOVAL AND RELOCATION OF VARIOUS TRAFFIC SIGNS NOTED HEREON SHALL BE AS DIRECTED BY THE ENGINEER AND AS SPECIFIED IN THE STANDARD SPECIFICATIONS. THIS WORK SHALL NOT BE PAID FOR SEPARATELY AND IS CONSIDERED INCLUDED IN THE VARIOUS REMOVAL ITEMS.

ADJUSTMENT AND RELOCATION OF UNIVERSITY OF ILLINOIS OWNED UTILITIES SHALL BE PERFORMED BY THE CONTRACTOR AS NOTED IN THE PLANS AND SPECIFICATIONS. THE UNIVERSITY REQUIRES 72 HOUR PRIOR NOTIFICATION FOR ANY ADJUSTMENTS OR RELOCATIONS OF UNIVERSITY UTILITIES. SEE THE GENERAL NOTES SHEET AND THE VARIOUS PLAN SHEETS SHOWING UTILITY ADJUSTMENTS OR RELOCATIONS FOR ADDITIONAL INFORMATION. ALSO, SEE TEMPORARY SUPPORT OF EXISTING UTILITIES ON THE MISCELLANEOUS DETAILS SHEET.

THE ADJUSTMENTS OR RELOCATIONS OF VARIOUS PRIVATE UTILITY FACILITIES WILL BE MADE BY THE UTILITY OWNERS DURING CONSTRUCTION. THE CONTRACTOR AND THE VARIOUS PRIVATE UTILITY COMPANIES SHALL COOPERATE WITH ONE ANOTHER SO THAT THE ADJUSTMENTS OR RELOCATIONS CAN BE PERFORMED IN A TIMELY AND EFFICIENT MANNER. THIS WORK SHALL BE PERFORMED IN ACCORDANCE WITH ARTICLE 107.39 OF THE STANDARD SPECIFICATIONS. SEE THE GENERAL NOTES SHEET AND THE VARIOUS PLAN SHEETS SHOWING UTILITY ADJUSTMENTS OR RELOCATIONS FOR ADDITIONAL INFORMATION.

- LEGEND**
- U.P. DND - UTILITY POLE DO NOT DISTURB
  - U.P. TBRBO - UTILITY POLE TO BE RELOCATED BY OTHERS
  - (A) - STRUCTURE TO BE ADJUSTED
  - (RM)(RI) - REMOVING MANHOLES/INLETS
  - (N) - STRUCTURE NO WORK REQUIRED
  - (PM) - PARKING METERS TO BE REMOVED
  - (PTR) - PROTECT TREE TO REMAIN (SEE LANDSCAPE PLANS)
  - [Pattern] - PAVEMENT REMOVAL
  - [Pattern] - HOT-MIX ASPHALT SURFACE REMOVAL, 1/2"
  - [Pattern] - DRIVEWAY PAVEMENT REMOVAL
  - [Pattern] - CURB REMOVAL
  - [Pattern] - COMBINATION CURB AND GUTTER REMOVAL
  - [Pattern] - SIDEWALK REMOVAL
  - [Pattern] - MEDIAN REMOVAL
  - [Pattern] - STORM SEWER REMOVAL
  - [Pattern] - TREE REMOVAL

- KEY NOTES**
- ① SEE TRAFFIC SIGNAL PLANS FOR TRAFFIC SIGNAL REMOVAL ITEMS.
  - ② SEE ROADWAY LIGHTING PLANS FOR ROADWAY LIGHTING REMOVAL ITEMS.
  - ③ SEE WATER MAIN PLANS FOR ADJUSTMENTS OF WATER VALVES BELONGING TO ILLINOIS AMERICAN WATER.
  - ④ SIGN REMOVAL PER ARTICLE 107.25

LAYOUT	BAB	11/24/15
DRAWN	RLA	2/4/16
REVIEWED	MGD	3/22/16

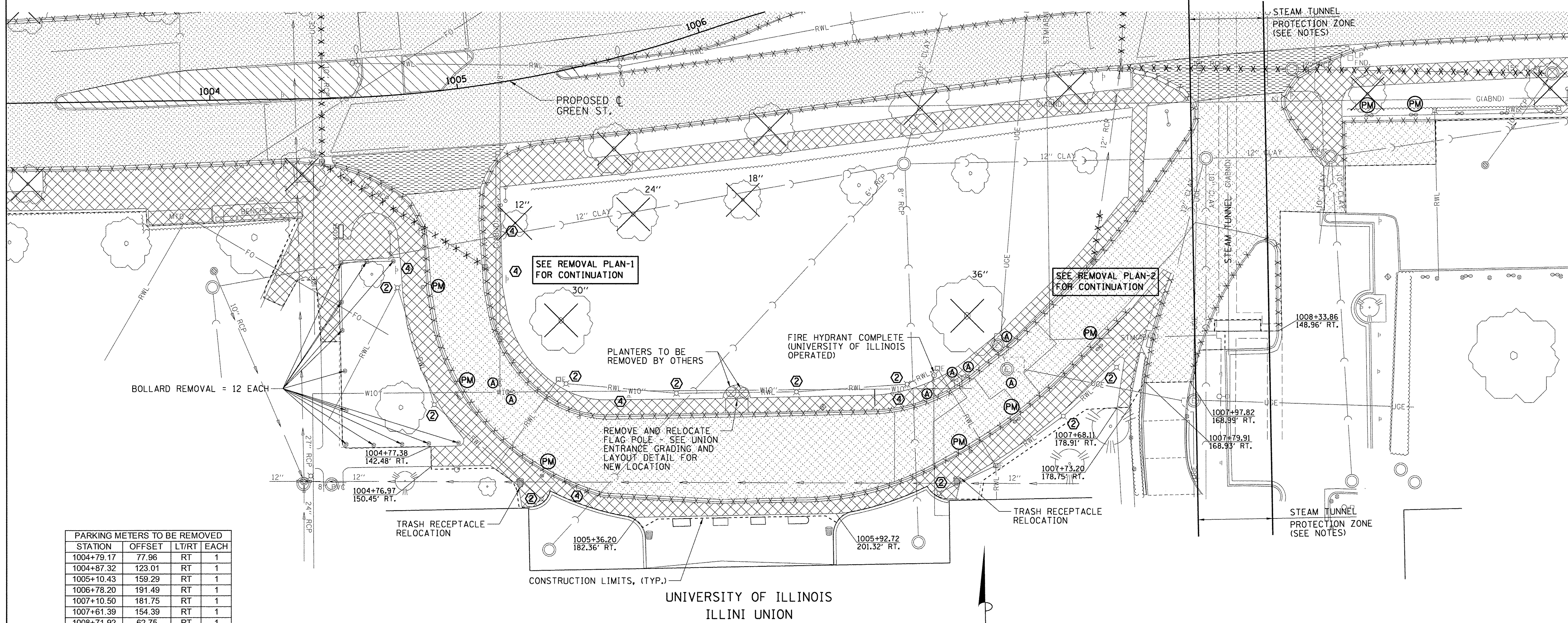
FILE NAME = Z:\Plans\sheets\Project1\P1-sht-removal06.dgn	DESIGNED - BAB	REVISED -
PLOT DATE = 8/25/2016 1:28:20 PM	DRAWN - RLA	REVISED -
	CHECKED - MGD	REVISED -
	DATE - 8/26/2016	REVISED -

STATE OF ILLINOIS  
DEPARTMENT OF TRANSPORTATION

PROJECT 1 - GREEN STREET  
REMOVAL PLAN

SCALE: 1"=20' SHEET NO. OF SHEETS STA. 1029+50.00 TO STA. 1033+55.00

F.A.U. RTE.	SECTION	COUNTY	TOTAL SHEETS	SHEET NO.
7126	15-00304-01-PV	CHAMPAIGN	236	36
MCORE PROJECT 1			CONTRACT NO. 91539	
JOB NO. C-95-305-16 ILLINOIS FED. AID PROJECT TIG-51810571				



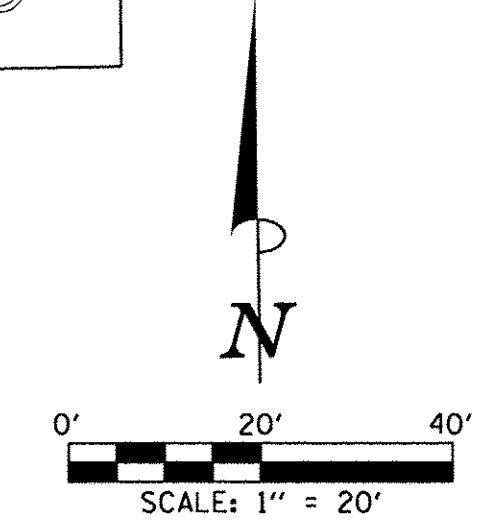
PARKING METERS TO BE REMOVED				
STATION	OFFSET	LT/RT	EACH	
1004+79.17	77.96	RT	1	
1004+87.32	123.01	RT	1	
1005+10.43	159.29	RT	1	
1006+78.20	191.49	RT	1	
1007+10.50	181.75	RT	1	
1007+61.39	154.39	RT	1	
1008+71.92	62.75	RT	1	
1008+89.83	62.78	RT	1	
TOTAL			8	

SCHEDULE FOR ADJUSTMENTS (A)					
MANHOLES TO BE ADJUSTED					
STATION	OFFSET	LT/RT	EXIST. ELEV.	PROP. ELEV.	UTILITY
1007+04.23	150.81	RT	724.31	723.32	ELECTRICAL UI
1007+08.07	160.85	RT	724.00	723.43	ELECTRICAL UI
VALVE BOXES TO BE ADJUSTED					
STATION	OFFSET	LT/RT	EXIST. ELEV.	PROP. ELEV.	UTILITY
1005+01.41	119.68	RT	724.66	724.70	WATER UI
1005+04.59	124.17	RT	724.70	724.78	WATER UI
1006+62.60	165.11	RT	725.29	724.60	WATER UI
1006+76.09	162.01	RT	725.03	724.27	WATER UI
1006+80.93	160.93	RT	724.92	724.13	WATER UI

UI = UNIVERSITY OF ILLINOIS OWNED UTILITY

- LEGEND**
- U.P. DND - UTILITY POLE DO NOT DISTURB
  - U.P. TBRBO - UTILITY POLE TO BE RELOCATED BY OTHERS
  - (A) - STRUCTURE TO BE ADJUSTED
  - (RM)(RI) - REMOVING MANHOLES/INLETS
  - (N) - STRUCTURE NO WORK REQUIRED
  - (PM) - PARKING METERS TO BE REMOVED
  - [Hatched] - PAVEMENT REMOVAL
  - [Cross-hatched] - DRIVEWAY PAVEMENT REMOVAL
  - [Dashed] - CURB REMOVAL
  - [Dashed with X] - COMBINATION CURB AND GUTTER REMOVAL
  - [Diagonal lines] - SIDEWALK REMOVAL
  - [Diagonal lines with X] - MEDIAN REMOVAL
  - [Dashed with X] - STORM SEWER REMOVAL
  - [Tree symbol] - TREE REMOVAL

- KEY NOTES**
- 1 SEE TRAFFIC SIGNAL PLANS FOR TRAFFIC SIGNAL REMOVAL ITEMS.
  - 2 SEE ROADWAY LIGHTING PLANS FOR ROADWAY LIGHTING REMOVAL ITEMS.
  - 3 SEE WATER MAIN PLANS FOR ADJUSTMENTS OF WATER VALVES BELONGING TO ILLINOIS AMERICAN WATER.
  - 4 SIGN REMOVAL PER ARTICLE 107.25



**GREEN STREET STEAM TUNNEL NOTE:** STA. 1008+00 TO STA. 1008+30 EXISTING BRICK STEAM TUNNEL CROSSING UNDER GREEN STREET. EXTREME CAUTION SHALL BE EXERCISED BY ALL CONTRACTORS TO AVOID DISTURBING OR DAMAGING THE TUNNEL. BREAKERS SHALL NOT BE USED WITHIN 20 FEET EAST AND WEST OF THE TUNNEL AND ONCE THE EXISTING PAVEMENT IS REMOVED NO EQUIPMENT OR TRUCKS SHALL BE ALLOWED TO DRIVE OVER THE TUNNEL UNTIL THE FINAL PAVEMENT HAS BEEN CONSTRUCTED.

ADJUSTMENT AND RELOCATION OF UNIVERSITY OF ILLINOIS OWNED UTILITIES SHALL BE PERFORMED BY THE CONTRACTOR AS NOTED IN THE PLANS AND SPECIFICATIONS. THE UNIVERSITY REQUIRES 72 HOUR PRIOR NOTIFICATION FOR ANY ADJUSTMENTS OR RELOCATIONS OF UNIVERSITY UTILITIES. SEE THE GENERAL NOTES SHEET AND THE VARIOUS PLAN SHEETS SHOWING UTILITY ADJUSTMENTS OR RELOCATIONS FOR ADDITIONAL INFORMATION. ALSO, SEE TEMPORARY SUPPORT OF EXISTING UTILITIES ON THE MISCELLANEOUS DETAILS SHEET.

THE ADJUSTMENTS OR RELOCATIONS OF VARIOUS PRIVATE UTILITY FACILITIES WILL BE MADE BY THE UTILITY OWNERS DURING CONSTRUCTION. THE CONTRACTOR AND THE VARIOUS PRIVATE UTILITY COMPANIES SHALL COOPERATE WITH ONE ANOTHER SO THAT THE ADJUSTMENTS OR RELOCATIONS CAN BE PERFORMED IN A TIMELY AND EFFICIENT MANNER. THIS WORK SHALL BE PERFORMED IN ACCORDANCE WITH ARTICLE 107.39 OF THE STANDARD SPECIFICATIONS. SEE THE GENERAL NOTES SHEET AND THE VARIOUS PLAN SHEETS SHOWING UTILITY ADJUSTMENTS OR RELOCATIONS FOR ADDITIONAL INFORMATION.

SEE LANDSCAPE PLANS FOR PROPOSED LOCATIONS FOR RELOCATE BENCH AND TRASH RECEPTACLE RELOCATION.

EXISTING PAVEMENTS, CURBS AND GUTTERS, AND SIDEWALKS IN WHICH THE TOP SURFACE IS TO BE JOINED TO THE PROPOSED WORK SHALL BE SO JOINED THROUGH SAW CUT JUNCTURES.

THE REMOVAL AND RELOCATION OF VARIOUS TRAFFIC SIGNS NOTED HEREON SHALL BE AS DIRECTED BY THE ENGINEER AND AS SPECIFIED IN THE STANDARD SPECIFICATIONS. THIS WORK SHALL NOT BE PAID FOR SEPARATELY AND IS CONSIDERED INCLUDED IN THE VARIOUS REMOVAL ITEMS.

LAYOUT: 11/24/15  
 DRAWN: BAB  
 REVIEWED: RLA  
 DATE: 2/4/16  
 DATE: 3/22/16

FILE NAME = Z:\Plans\sheets\Project1\P1-sht-removal07.dgn  
 PLOT DATE = 8/25/2016 1:28:22 PM

DESIGNED - BAB	REVISED -
DRAWN - RLA	REVISED -
CHECKED - MGD	REVISED -
DATE - 8/26/2016	REVISED -

STATE OF ILLINOIS  
DEPARTMENT OF TRANSPORTATION

PROJECT 1 - GREEN STREET  
REMOVAL PLAN

SCALE: 1"=20' SHEET NO. OF SHEETS STA. TO STA.

F.A.U. RTE.	SECTION	COUNTY	TOTAL SHEETS	SHEET NO.
7126	15-00304-01-PV	CHAMPAIGN	236	37
MCORE PROJECT 1			CONTRACT NO. 91539	
JOB NO. C-95-305-16 ILLINOIS FED. AID PROJECT TIG-5181(057)				



**LEGEND**

- PROPOSED PCC DRIVEWAY PAVEMENT (8" FOR C.E.) (SEE DETAIL)
- PARKWAY (SEE LANDSCAPE PLANS)
- PCC SIDEWALK, 6"
- PROPOSED PCC BASE COURSE WIDENING 11 1/2"
- PCC SIDEWALK, 8"
- PROPOSED SIDEWALK RAMP
- DETECTABLE WARNINGS (SEE DETAIL)
- PAVEMENT PATCHING
- STEAM TUNNEL (SEE TUNNEL NOTE)

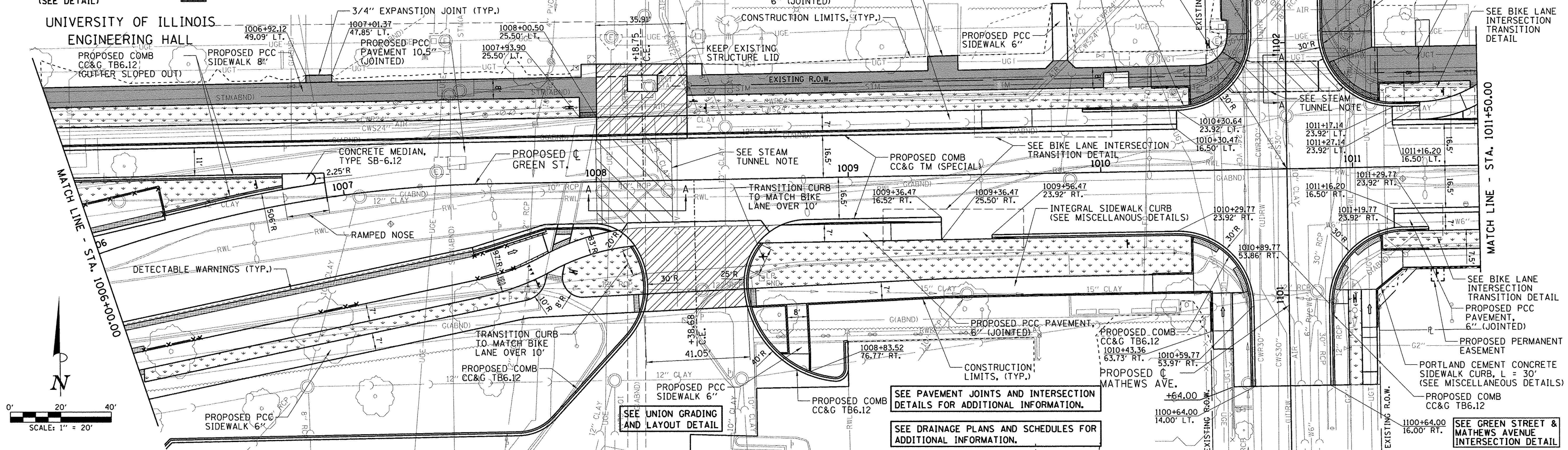
**UNIVERSITY OF ILLINOIS MATERIALS SCIENCE AND ENGINEERING**

STA. 1010+73.87 (C GREEN ST.) = STA. 1101+50.00 (C MATHEWS AVE.)

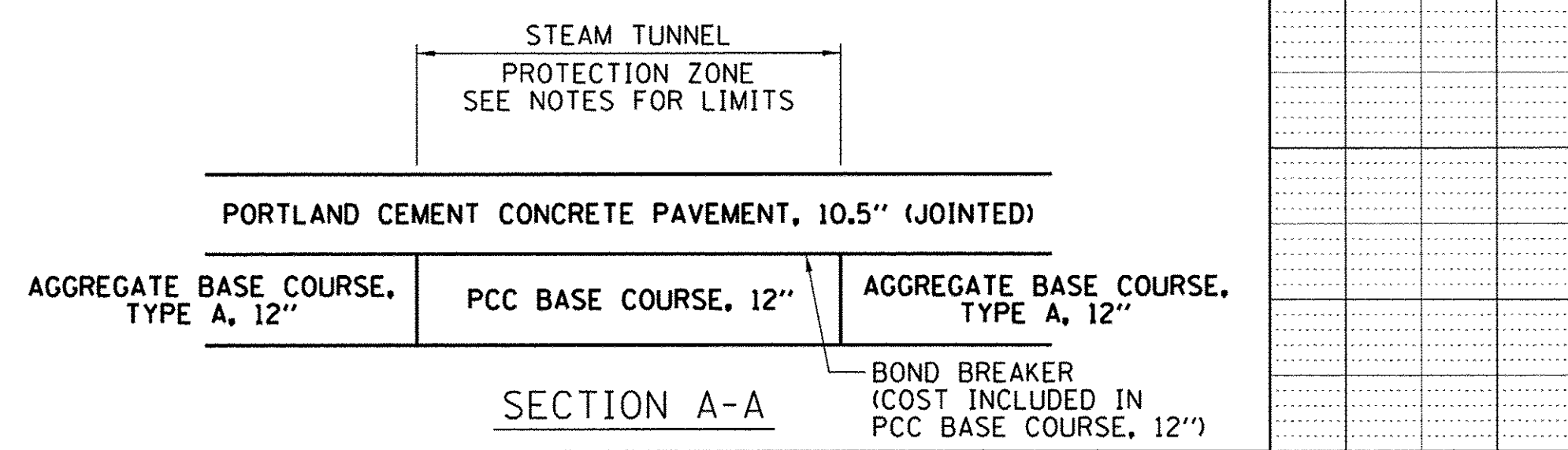
**PLAN AND PROFILE - 2**

**UNIVERSITY OF ILLINOIS ENGINEERING HALL**

PLAN	DATE
BY	
CHECKED	
DATE	
NO.	

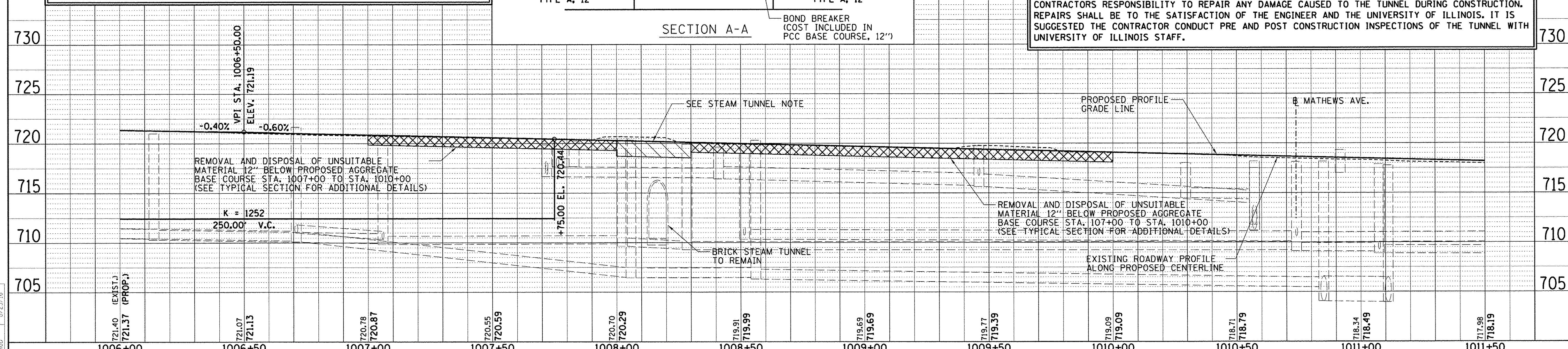


**MATHEWS STREET STEAM TUNNEL NOTE:** STA. 1101+80.50 TO STA. 1101+92.50  
 EXISTING WOOD LOG STEAM CONDUIT CROSSING UNDER MATHEWS STREET. EXTREME CAUTION SHALL BE EXERCISED BY ALL CONTRACTORS TO AVOID DISTURBING OR DAMAGING THE TUNNEL. ONCE THE EXISTING PAVEMENT IS REMOVED NO EQUIPMENT OR TRUCKS SHALL BE ALLOWED TO DRIVE OVER THE TUNNEL UNTIL THE FINAL PAVEMENT HAS BEEN CONSTRUCTED. FOR THE LIMITS NOTED PORTLAND CEMENT CONCRETE BASE COURSE 12" SHALL BE USED IN PLACE OF THE AGGREGATE BASE COURSE TYPE A, 12" TO HELP BRIDGE OVER THE TUNNEL. SEE PROJECT SPECIFICATIONS FOR ADDITIONAL REQUIREMENTS.



**GREEN STREET STEAM TUNNEL NOTE:** STA. 1008+00 TO STA. 1008+30  
 EXISTING BRICK STEAM TUNNEL CROSSING UNDER GREEN STREET. EXTREME CAUTION SHALL BE EXERCISED BY ALL CONTRACTORS TO AVOID DISTURBING OR DAMAGING THE TUNNEL. FOR THE LIMITS NOTED PORTLAND CEMENT CONCRETE BASE COURSE 12" SHALL BE USED IN PLACE OF THE AGGREGATE BASE COURSE TYPE A, 12" TO HELP BRIDGE OVER THE TUNNEL. SEE PROJECT SPECIFICATIONS FOR ADDITIONAL REQUIREMENTS. ONCE THE EXISTING PAVEMENT IS REMOVED IT IS RECOMMENDED THAT NO EQUIPMENT OR TRUCKS BE ALLOWED TO DRIVE OVER THE TUNNEL UNTIL AT LEAST THE PCC BASE COURSE, 12" HAS BEEN PLACED AND CURED. IT IS THEN UP TO THE CONTRACTORS' DISCRETION ON WHAT EQUIPMENT, TRUCKS, AND FULLY LOADED TRUCKS MAY DRIVE OVER THE TUNNEL. IT WILL BE THE CONTRACTORS RESPONSIBILITY TO REPAIR ANY DAMAGE CAUSED TO THE TUNNEL DURING CONSTRUCTION. REPAIRS SHALL BE TO THE SATISFACTION OF THE ENGINEER AND THE UNIVERSITY OF ILLINOIS. IT IS SUGGESTED THE CONTRACTOR CONDUCT PRE AND POST CONSTRUCTION INSPECTIONS OF THE TUNNEL WITH UNIVERSITY OF ILLINOIS STAFF.

PROFILE	DATE
BY	
CHECKED	
DATE	
NO.	



LAYOUT	DLC	8/24/15
DRAWN	RLA	8/24/16
REVIEWED	MGD	8/25/16

FILE NAME = Z:\Plans\sheets\Project1\p1-sht-GRNE-plnprof02.dgn  
 PLOT DATE = 8/25/2016 12:13:40 PM

DESIGNED	DLC	REVISED	-
DRAWN	RLA	REVISED	-
CHECKED	MGD	REVISED	-
DATE	8/26/2016	REVISED	-

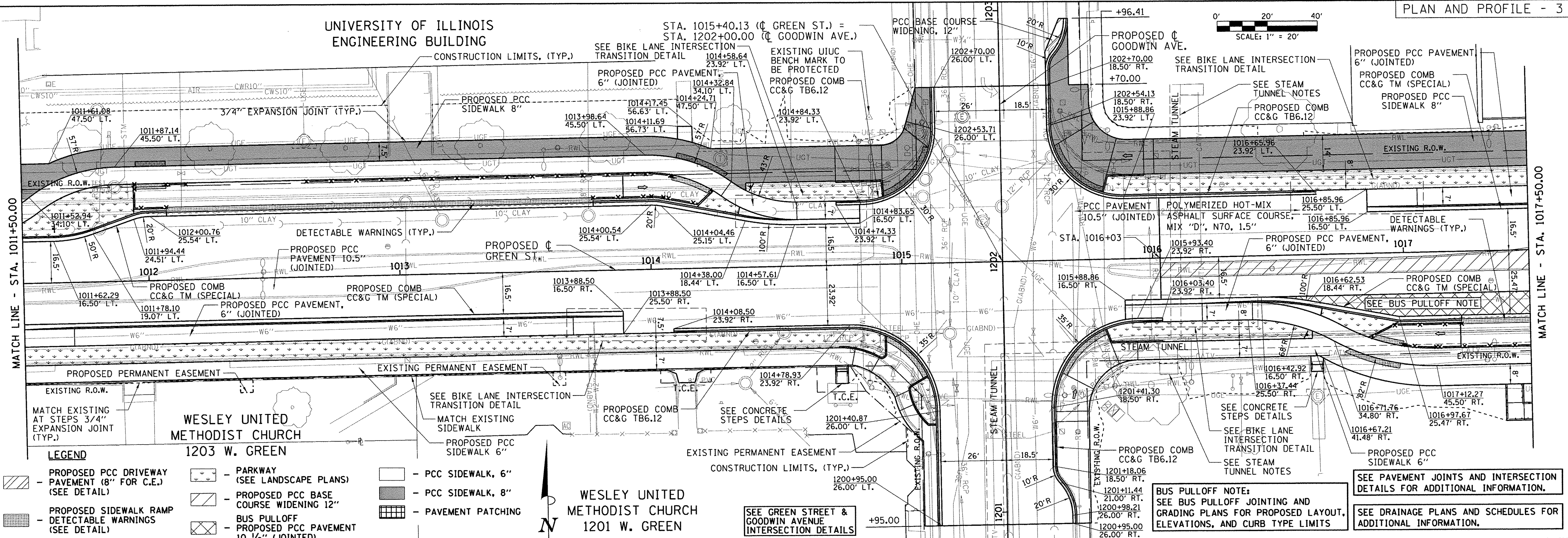
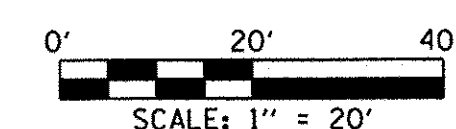
STATE OF ILLINOIS  
 DEPARTMENT OF TRANSPORTATION

PROJECT 1 - GREEN STREET  
 PLAN AND PROFILE  
 SCALE: 1"=20' SHEET NO. OF SHEETS STA. 1006+00.00 TO STA. 1011+50.00

F.A.U. R.T.E.	SECTION	COUNTY	TOTAL SHEETS	SHEET NO.
7126	15-00304-01-PV	CHAMPAIGN	236	39
MCORE PROJECT 1			CONTRACT NO. 91539	
JOB NO. C-95-305-16 ILLINOIS FED. AID PROJECT TIG-51810571				

UNIVERSITY OF ILLINOIS  
ENGINEERING BUILDING

STA. 1015+40.13 (C GREEN ST.) =  
STA. 1202+00.00 (C GOODWIN AVE.)

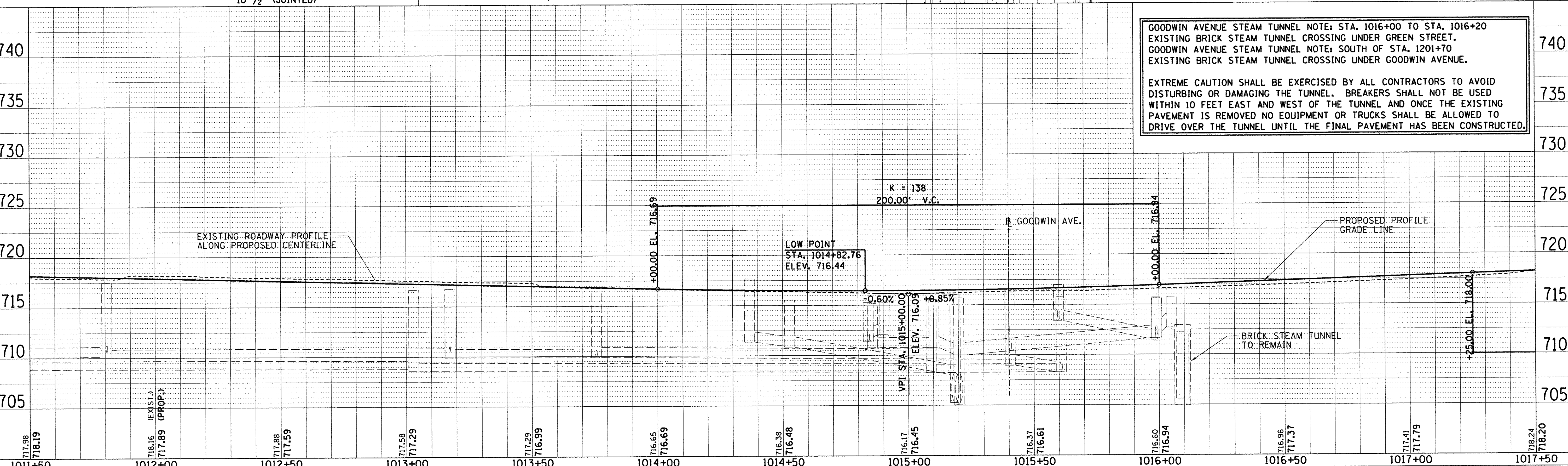


- LEGEND**
- PROPOSED PCC DRIVEWAY PAVEMENT (8" FOR C.E.) (SEE DETAIL)
  - PROPOSED SIDEWALK RAMP DETECTABLE WARNINGS (SEE DETAIL)
  - PARKWAY (SEE LANDSCAPE PLANS)
  - PROPOSED PCC BASE COURSE WIDENING 12"
  - BUS PULLOFF PROPOSED PCC PAVEMENT 10 1/2" (JOINTED)
  - PCC SIDEWALK, 6"
  - PCC SIDEWALK, 8"
  - PAVEMENT PATCHING

**BUS PULLOFF NOTE:**  
SEE BUS PULLOFF JOINTING AND GRADING PLANS FOR PROPOSED LAYOUT, ELEVATIONS, AND CURB TYPE LIMITS

**SEE PAVEMENT JOINTS AND INTERSECTION DETAILS FOR ADDITIONAL INFORMATION.**

**SEE DRAINAGE PLANS AND SCHEDULES FOR ADDITIONAL INFORMATION.**



**GOODWIN AVENUE STEAM TUNNEL NOTE:** STA. 1016+00 TO STA. 1016+20  
EXISTING BRICK STEAM TUNNEL CROSSING UNDER GREEN STREET.  
GOODWIN AVENUE STEAM TUNNEL NOTE: SOUTH OF STA. 1201+70  
EXISTING BRICK STEAM TUNNEL CROSSING UNDER GOODWIN AVENUE.

**EXTREME CAUTION SHALL BE EXERCISED BY ALL CONTRACTORS TO AVOID DISTURBING OR DAMAGING THE TUNNEL. BREAKERS SHALL NOT BE USED WITHIN 10 FEET EAST AND WEST OF THE TUNNEL AND ONCE THE EXISTING PAVEMENT IS REMOVED NO EQUIPMENT OR TRUCKS SHALL BE ALLOWED TO DRIVE OVER THE TUNNEL UNTIL THE FINAL PAVEMENT HAS BEEN CONSTRUCTED.**

DATE	
BY	
REVIEWED	
DATE	
BY	
REVIEWED	
DATE	
BY	
REVIEWED	

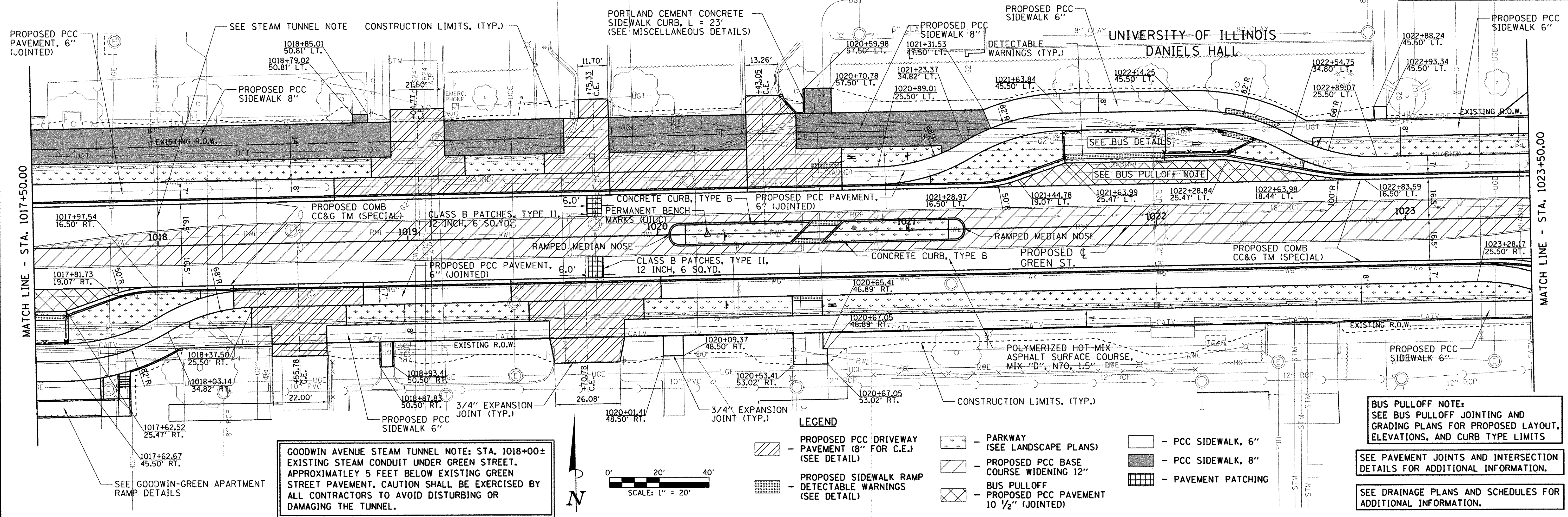


DATE	
BY	
REVIEWED	
DATE	
BY	
REVIEWED	
DATE	
BY	
REVIEWED	

DATE	11/24/15
BY	RLA
REVIEWED	8/24/16
DATE	8/25/16
BY	MCD
REVIEWED	

FILE NAME = Z:\Plans\sheets\Project1\P1-sht-GRNE-p\Inprof03.dgn	DESIGNED - DLC	REVISED -	STATE OF ILLINOIS DEPARTMENT OF TRANSPORTATION	PROJECT 1 - GREEN STREET PLAN AND PROFILE	F.A.U. RTE. 7126	SECTION 15-00304-01-PV	COUNTY CHAMPAIGN	TOTAL SHEETS 236	SHEET NO. 40		
PLOT DATE = 8/25/2016 12:14:47 PM	DRAWN - RLA	REVISED -			SCALE: 1"=20'	SHEET NO. OF SHEETS	STA. 1011+50.00 TO STA. 1017+50.00	MCORE PROJECT 1 CONTRACT NO. 91539			
	CHECKED - MGD	REVISED -			JOB NO. C-95-305-16 ILLINOIS FED. AID PROJECT TIG-5181057						
	DATE - 8/26/2016	REVISED -									





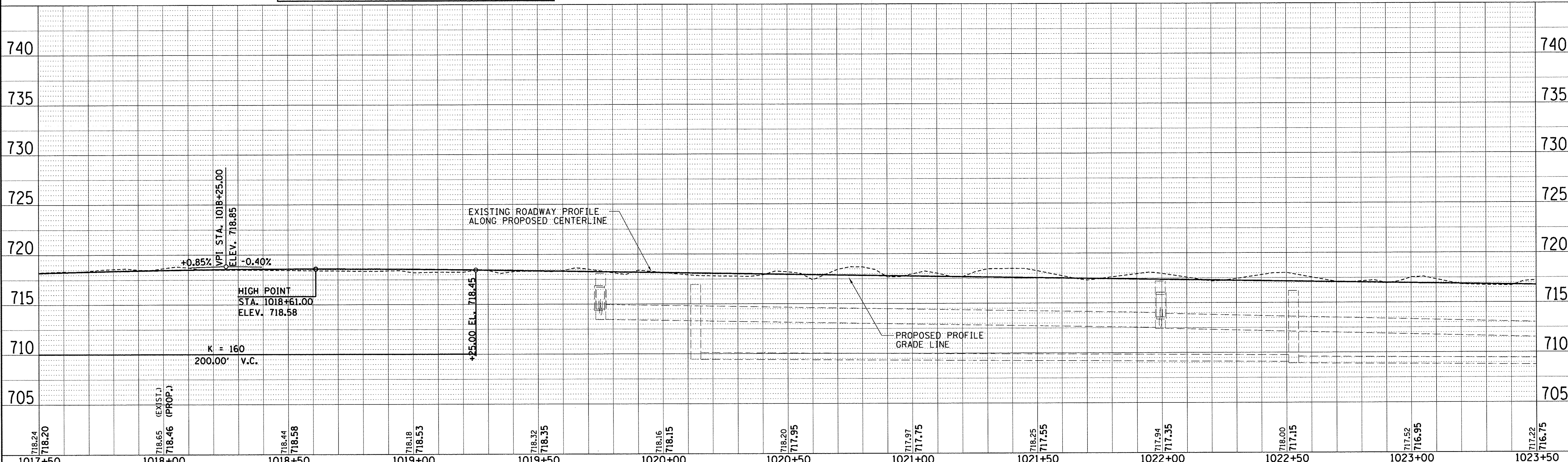
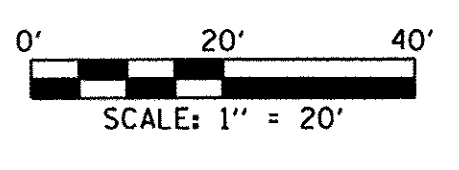
**GOODWIN AVENUE STEAM TUNNEL NOTE: STA. 1018+00±**  
 EXISTING STEAM CONDUIT UNDER GREEN STREET.  
 APPROXIMATELY 5 FEET BELOW EXISTING GREEN  
 STREET PAVEMENT. CAUTION SHALL BE EXERCISED BY  
 ALL CONTRACTORS TO AVOID DISTURBING OR  
 DAMAGING THE TUNNEL.

- LEGEND**
- PROPOSED PCC DRIVEWAY PAVEMENT (8" FOR C.E.) (SEE DETAIL)
  - PARKWAY (SEE LANDSCAPE PLANS)
  - PROPOSED PCC BASE COURSE WIDENING 12"
  - PROPOSED PCC SIDEWALK 6"
  - PROPOSED SIDEWALK RAMP DETECTABLE WARNINGS (SEE DETAIL)
  - BUS PULLOFF
  - PROPOSED PCC SIDEWALK 8"
  - PAVEMENT PATCHING

**BUS PULLOFF NOTE:**  
 SEE BUS PULLOFF JOINTING AND  
 GRADING PLANS FOR PROPOSED LAYOUT,  
 ELEVATIONS, AND CURB TYPE LIMITS

SEE PAVEMENT JOINTS AND INTERSECTION  
 DETAILS FOR ADDITIONAL INFORMATION.

SEE DRAINAGE PLANS AND SCHEDULES FOR  
 ADDITIONAL INFORMATION.



PLAN	SURVEYED	BY	DATE
NOTE BOOK	PLOTTED		
NO.	AT 100% MAGNIFICATION		
	CADD FILE NAME		
	NO.		



PROFILE	SURVEYED	BY	DATE
NOTE BOOK	PLOTTED		
NO.	GRADES CHECKED		
	STRUCTURE NOTATIONS CHECKED		

LAYOUT	DLC	11/24/15
DRAWN	RLA	2/4/16
REVIEWED	MGD	3/22/16

FILE NAME =	DESIGNED -	DLC	REVISED -	
Z:\Plans\sheets\Project1\P1-sht-GRNE-p\Inprof04.dgn	DRAWN -	RLA	REVISED -	
PLOT DATE =	CHECKED -	MGD	REVISED -	
8/25/2016 12:15:54 PM	DATE -	8/26/2016	REVISED -	

STATE OF ILLINOIS DEPARTMENT OF TRANSPORTATION	
SCALE: 1"=20'	SHEET NO. OF SHEETS
PROJECT 1 - GREEN STREET PLAN AND PROFILE	
STA. 1017+50.00 TO STA. 1023+50.00	

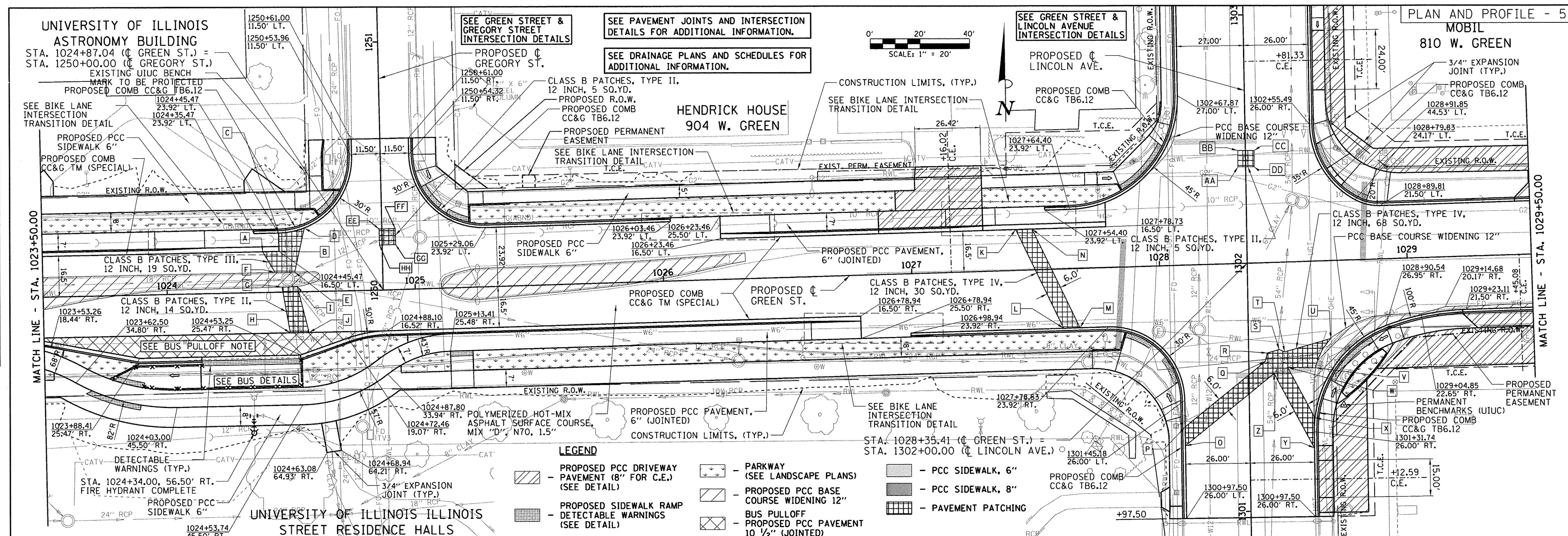
F.A.U. RTE.	SECTION	COUNTY	TOTAL SHEETS	SHEET NO.
7126	15-00304-01-PV	CHAMPAIGN	236	41
MCORE PROJECT 1		CONTRACT NO. 91539		
JOB NO. C-95-305-16		ILLINOIS FED. AID PROJECT T16-51810571		

DATE	
BY	
REVIEWED	
CHECKED	
DESIGNED	
FILE NAME	
NO.	

© Copyright Hanson Professional Services, Inc. 2016  
**HANSON**  
 Hanson Professional Services, Inc.

DATE	
BY	
REVIEWED	
CHECKED	
DESIGNED	
FILE NAME	
NO.	

DATE	11/24/15
BY	RLA
REVIEWED	2/17/16
CHECKED	3/22/16
DESIGNED	
FILE NAME	
NO.	



POINT	STATION	OFFSET	POINT	STATION	OFFSET	POINT	STATION	OFFSET	POINT	STATION	OFFSET	POINT	STATION	OFFSET	POINT	STATION	OFFSET
A	1024+38.92	16.50' LT.	H	1024+49.33	16.50' RT.	O	1301+26.83	26.00' LT.	V	1301+57.49	26.92' RT.	CC	1302+45.32	3.50' RT.	AA	1302+38.92	3.10' LT.
B	1024+45.47	16.50' LT.	I	1024+52.52	2.27' LT.	P	1301+34.49	26.00' LT.	W	1301+57.83	15.75' RT.	DD	1302+38.82	3.40' RT.	BB	1302+45.42	3.00' LT.
C	1024+45.47	23.92' LT.	J	1024+56.88	16.50' RT.	Q	1301+60.34	6.65' RT.	X	1301+37.37	26.35' RT.	EE	1250+24.72	1.12' LT.			
D	1024+55.84	25.76' LT.	K	1027+42.51	16.50' RT.	R	1301+63.71	7.49' RT.	Y	1301+25.13	26.00' RT.	FF	1250+24.78	5.38' RT.			
E	1024+51.62	8.00' LT.	L	1027+60.51	23.92' RT.	S	1301+65.02	12.32' RT.	Z	1301+55.42	10.11' RT.	GG	1250+18.28	5.44' RT.			
F	1024+43.74	8.00' LT.	M	1027+67.08	23.92' RT.	T	1301+64.07	14.52' RT.	AA	1302+38.92	3.10' LT.	HH	1250+18.22	1.06' LT.			
G	1024+46.42	2.01' LT.	N	1027+49.08	16.50' RT.	U	1301+69.15	33.22' RT.	BB	1302+45.42	3.00' LT.						

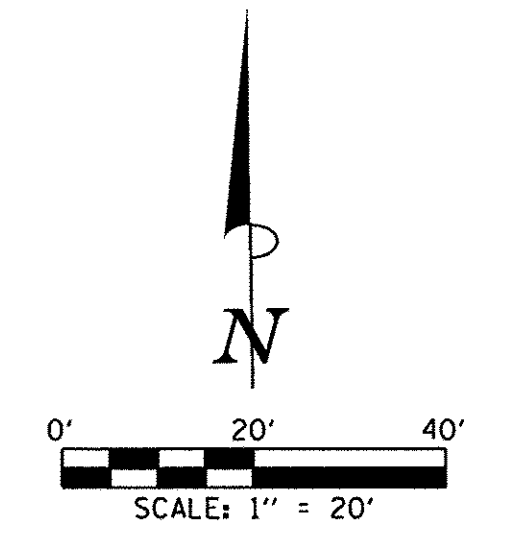
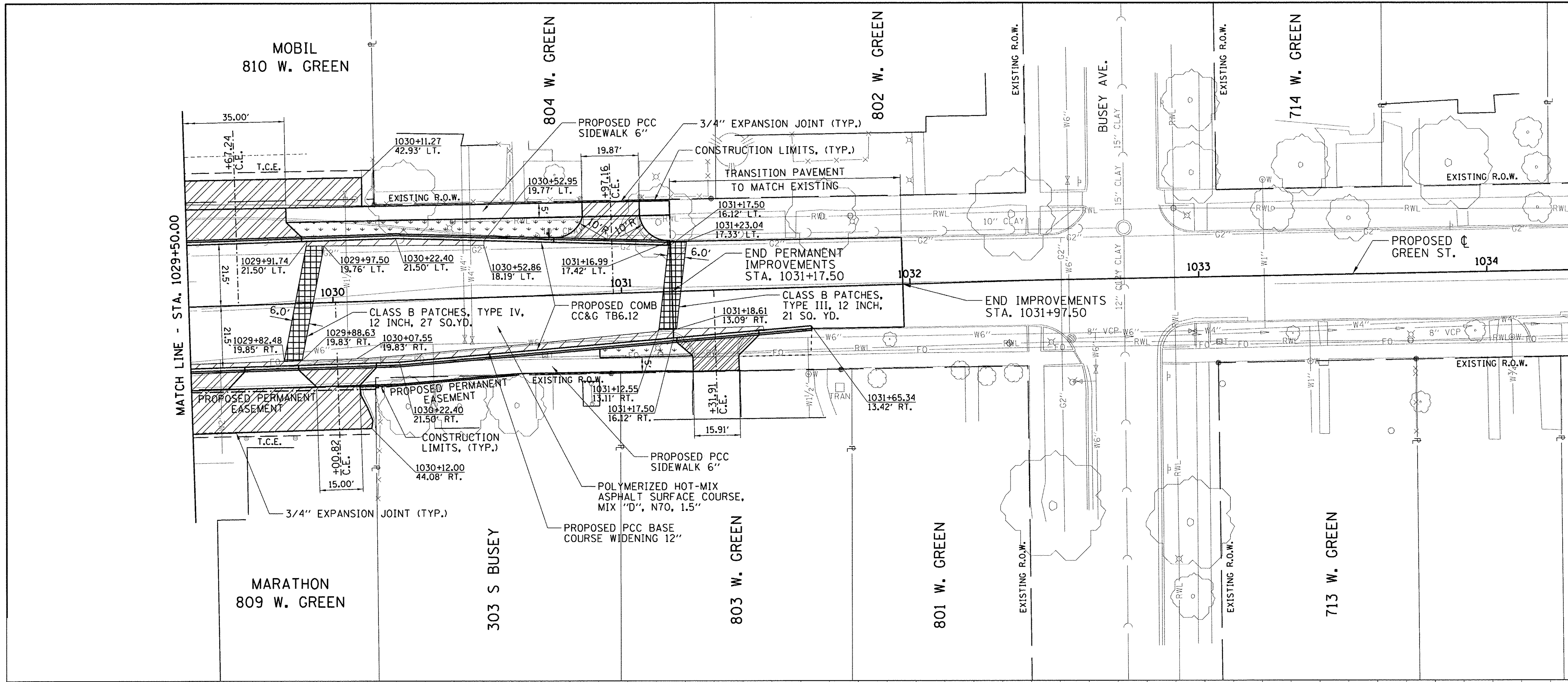
FILE NAME =	Z:\Plans\Sheets\Project1\P1-sht-GRNE-p\Inprof05.dgn	DESIGNED -	DLC	REVISED -		STATE OF ILLINOIS DEPARTMENT OF TRANSPORTATION				PROJECT 1 - GREEN STREET PLAN AND PROFILE				F.A.U. RTE.	SECTION	COUNTY	TOTAL SHEETS	SHEET NO.
PLOT DATE =	8/25/2016 12:17:20 PM	DRAWN -	RLA	CHECKED -	MGD					DATE	8/26/2016	REVIEWED -		SCALE: 1"=20'	SHEET NO.	OF SHEETS	STA. 1023+50.00 TO STA. 1029+50.00	7126
										MCORE PROJECT 1				CONTRACT NO. 91539				
										JOB NO. C-95-305-16				ILLINOIS FED. AID PROJECT TIG-518(057)				

PLAN	BY	DATE
SURVEYED		
ALIGNED		
CHECKED		
NOTE BOOK		
NO. OF WAY CHECKED		
CADD FILE NAME		
NO.		

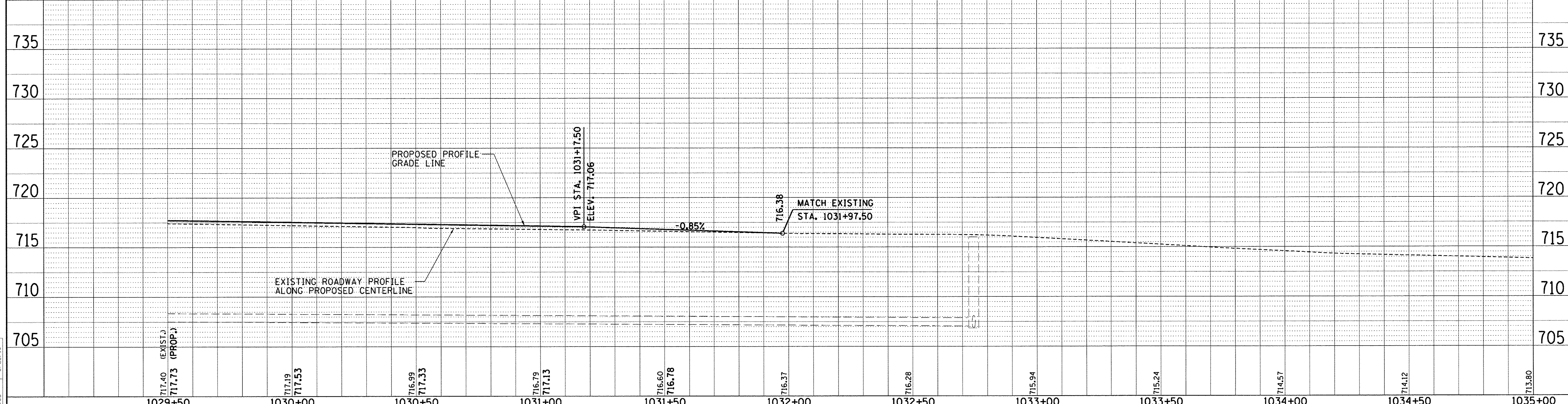
© Copyright Hanson Professional Services Inc. 2016  
**HANSON**  
 Hanson Professional Services Inc.

PROFILE	BY	DATE
SURVEYED		
NOTED		
CHECKED		
NOTE BOOK		
NO.		
STRUCTURE		
NOTATION		
CHKD		

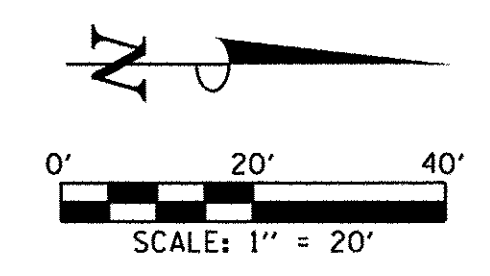
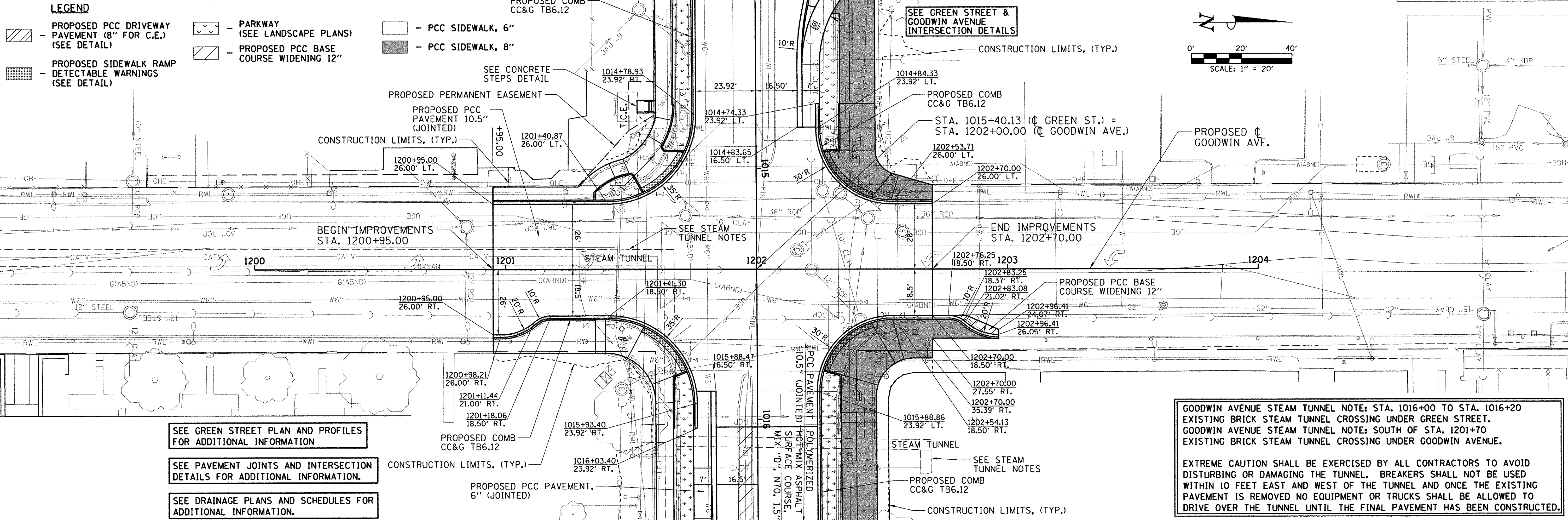
LAYOUT	DLC	11/24/15
DRAWN	RLA	2/4/16
REVIEWED	MCD	3/22/16



- LEGEND**
- PROPOSED PCC DRIVEWAY PAVEMENT (8" FOR C.E.) (SEE DETAIL)
  - PROPOSED SIDEWALK RAMP DETECTABLE WARNINGS (SEE DETAIL)
  - PARKWAY (SEE LANDSCAPE PLANS)
  - PROPOSED PCC BASE COURSE WIDENING 12"
  - PROPOSED PCC PAVEMENT 10 1/2" (JOINTED)
  - PCC SIDEWALK, 6"
  - PCC SIDEWALK, 8"
  - PAVEMENT PATCHING
- SEE PAVEMENT JOINTS AND INTERSECTION DETAILS FOR ADDITIONAL INFORMATION.
- SEE DRAINAGE PLANS AND SCHEDULES FOR ADDITIONAL INFORMATION.



FILE NAME =	Z:\Plans\sheets\Project1\P1-sht-GRNE-plnprof06.dgn	DESIGNED -	DLC	REVISED -		STATE OF ILLINOIS DEPARTMENT OF TRANSPORTATION	PROJECT 1 - GREEN STREET PLAN AND PROFILE		F.A.U. RTE.	SECTION	COUNTY	TOTAL SHEETS	SHEET NO.
PLOT DATE =	8/25/2016 2:03:25 PM	DRAWN -	RLA	REVISED -			7126	15-00304-01-PV	CHAMPAIGN	236	43		
		CHECKED -	MCD	REVISED -			MCORE PROJECT 1		CONTRACT NO. 91539				
		DATE -	8/26/2016	REVISED -			SCALE: 1"=20'	SHEET NO.	OF	SHEETS	STA. 1029+50.00 TO STA. 1033+55.00	JOB NO. C-95-305-16 ILLINOIS FED. AID PROJECT TIG-5181(057)	

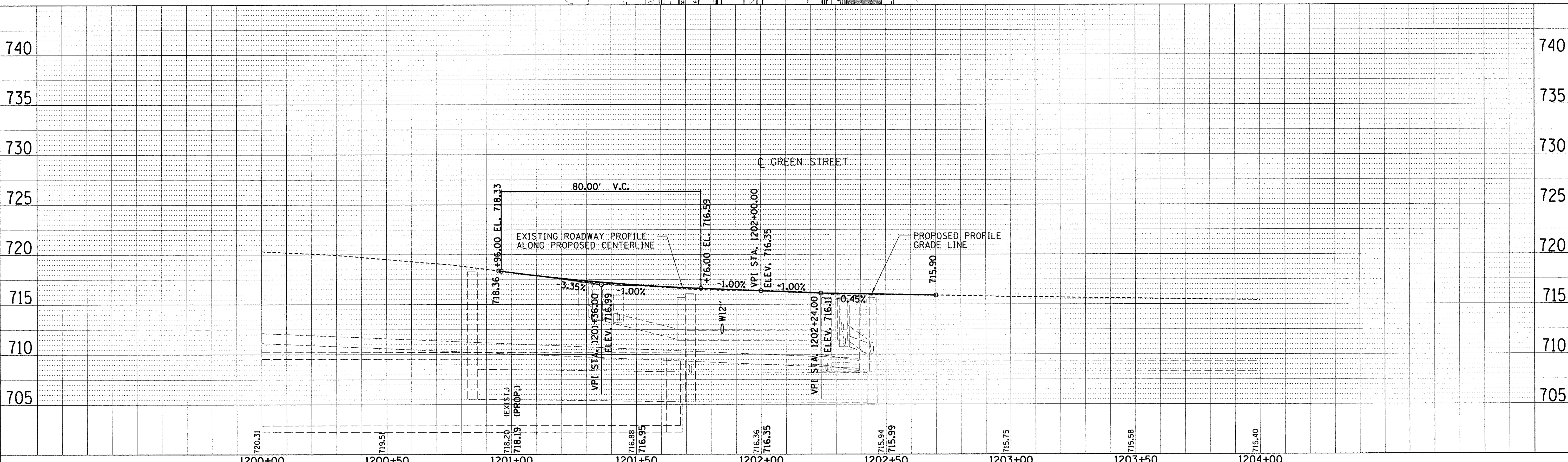


PLAN	SURVEYED	DATE
	PLOTTED	
	NOTED	
	BY	
	NO.	

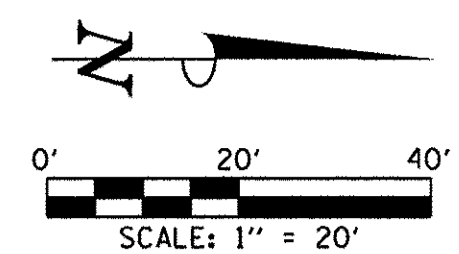
© Copyright Hanson Professional Services Inc. 2016  
**HANSON**  
 Hanson Professional Services Inc.

PROFILE	SURVEYED	DATE
	PLOTTED	
	NOTED	
	BY	
	NO.	

LAYOUT	DLC	11/24/15
DRAWN	RLA	2/4/16
REVIEWED	MGD	3/22/16



FILE NAME = Z:\Plans\Sheets\Project1\P1-sht-GWN-plnprof01.dgn	DESIGNED - DLC	REVISED -	STATE OF ILLINOIS DEPARTMENT OF TRANSPORTATION	PROJECT 1 - GOODWIN AVENUE PLAN AND PROFILE		F.A.U. RTE. 7126	SECTION 15-00304-01-PV	COUNTY CHAMPAIGN	TOTAL SHEETS 236	SHEET NO. 44	
PLOT DATE = 8/25/2016 12:19:28 PM	DRAWN - RLA	REVISED -		SCALE: 1"=20'	SHEET NO.	OF SHEETS	STA. 1200+95.00 TO STA. 1202+70.00	MCORE PROJECT 1 CONTRACT NO. 91539		JOB NO. C-95-305-16 ILLINOIS FED. AID PROJECT TIG-51810571	
	CHECKED - MGD	REVISED -									
	DATE - 8/26/2016	REVISED -									



SEE PAVEMENT JOINTS AND INTERSECTION DETAILS FOR ADDITIONAL INFORMATION.

SEE DRAINAGE PLANS AND SCHEDULES FOR ADDITIONAL INFORMATION.

SEE GREEN STREET PLAN AND PROFILES FOR ADDITIONAL INFORMATION.

SEE GREEN STREET & LINCOLN AVENUE INTERSECTION DETAILS

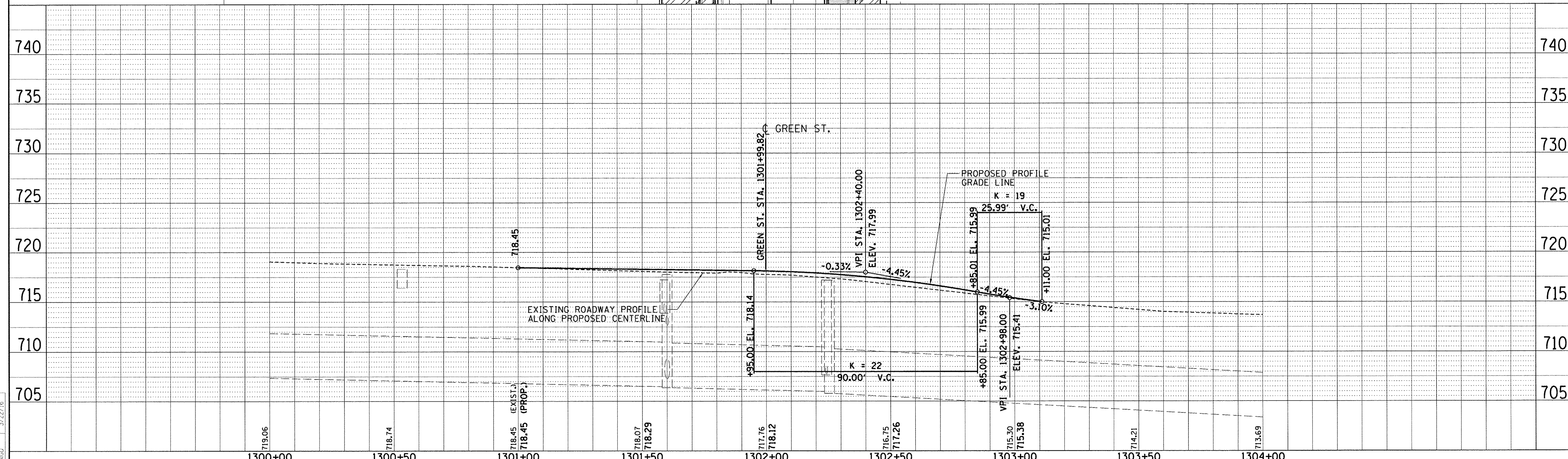
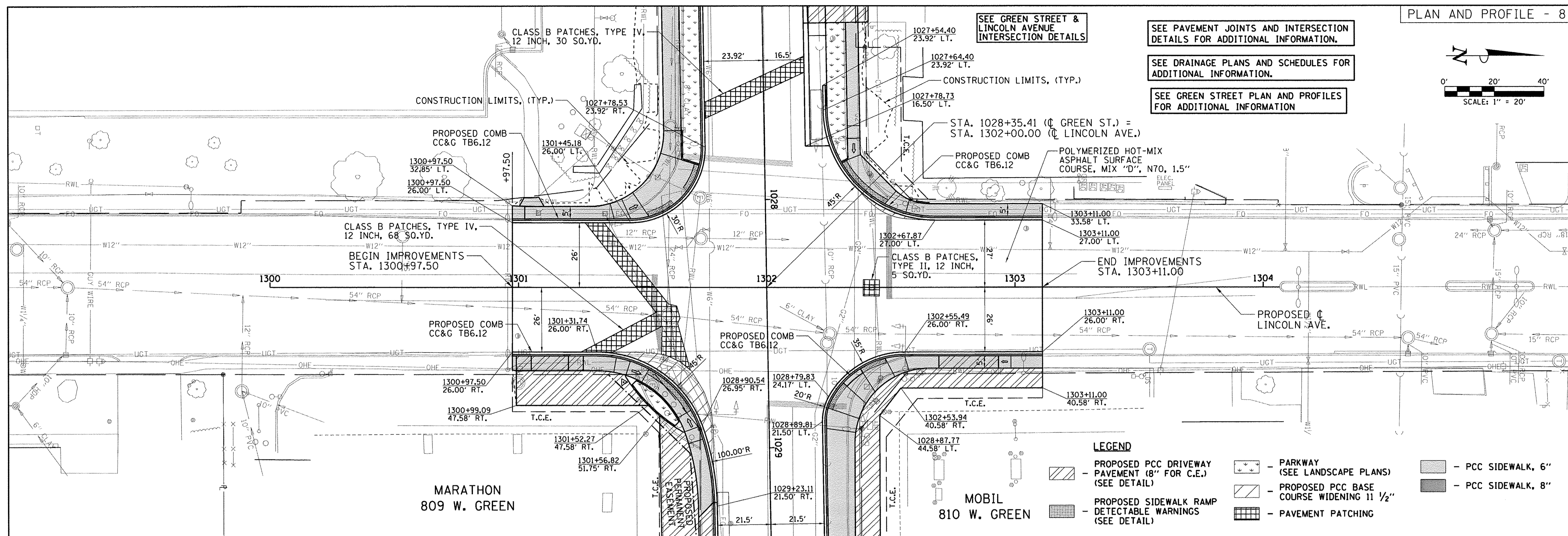
CONSTRUCTION LIMITS, (TYP.)

STA. 1028+35.41 (C GREEN ST.) = STA. 1302+00.00 (C LINCOLN AVE.)

PROPOSED COMB CC&G TB6.12  
POLYMERIZED HOT-MIX ASPHALT SURFACE COURSE, MIX "D", N70, 1.5"

**LEGEND**

- PROPOSED PCC DRIVEWAY PAVEMENT (8" FOR C.E.) (SEE DETAIL)
- PROPOSED PCC BASE COURSE WIDENING 1 1/2"
- PROPOSED SIDEWALK RAMP DETECTABLE WARNINGS (SEE DETAIL)
- PARKWAY (SEE LANDSCAPE PLANS)
- PCC SIDEWALK, 6"
- PCC SIDEWALK, 8"



PLAN	SURVEYED	DATE
	PLOTTED	
	CHECKED	
	BY	
	NO.	

PROFILE	SURVEYED	DATE
	PLOTTED	
	CHECKED	
	BY	
	NO.	

LAYOUT	DLC	11/24/15
	RLA	2/4/16
	MGD	3/22/16
REVIEWED		

FILE NAME =	Z:\Plans\Sheets\Project1\P1-sht-LIN-plnprof01.dgn		
DESIGNED -	DLC	REVISED -	
DRAWN -	RLA	REVISED -	
CHECKED -	MGD	REVISED -	
DATE -	8/26/2016	REVISED -	

**STATE OF ILLINOIS**  
**DEPARTMENT OF TRANSPORTATION**

**PROJECT 1 - LINCOLN AVENUE**  
**PLAN AND PROFILE**

SCALE: 1"=20'      SHEET NO. OF SHEETS      STA. 1300+79.50 TO STA. 1303+83.00

F.A.U. RTE.	SECTION	COUNTY	TOTAL SHEETS	SHEET NO.
7126	15-00304-01-PV	CHAMPAIGN	236	45
MCORE PROJECT 1		CONTRACT NO. 91539		
JOB NO. C-95-305-16    ILLINOIS FED. AID PROJECT T16-51810571				

© Copyright Hanson Professional Services Inc. 2016  
**HANSON**  
Hanson Professional Services Inc.

UNIVERSITY OF ILLINOIS  
EVERITT LABORATORY

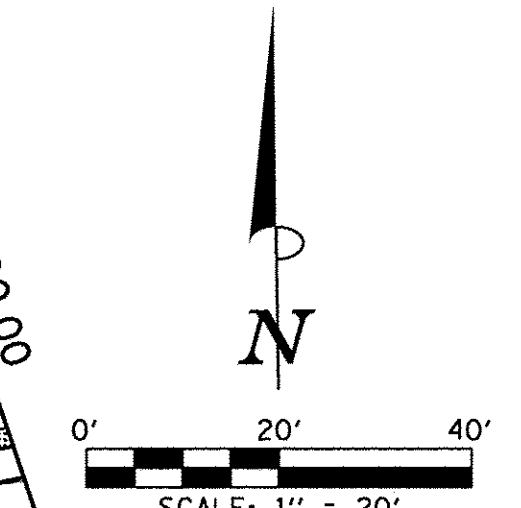
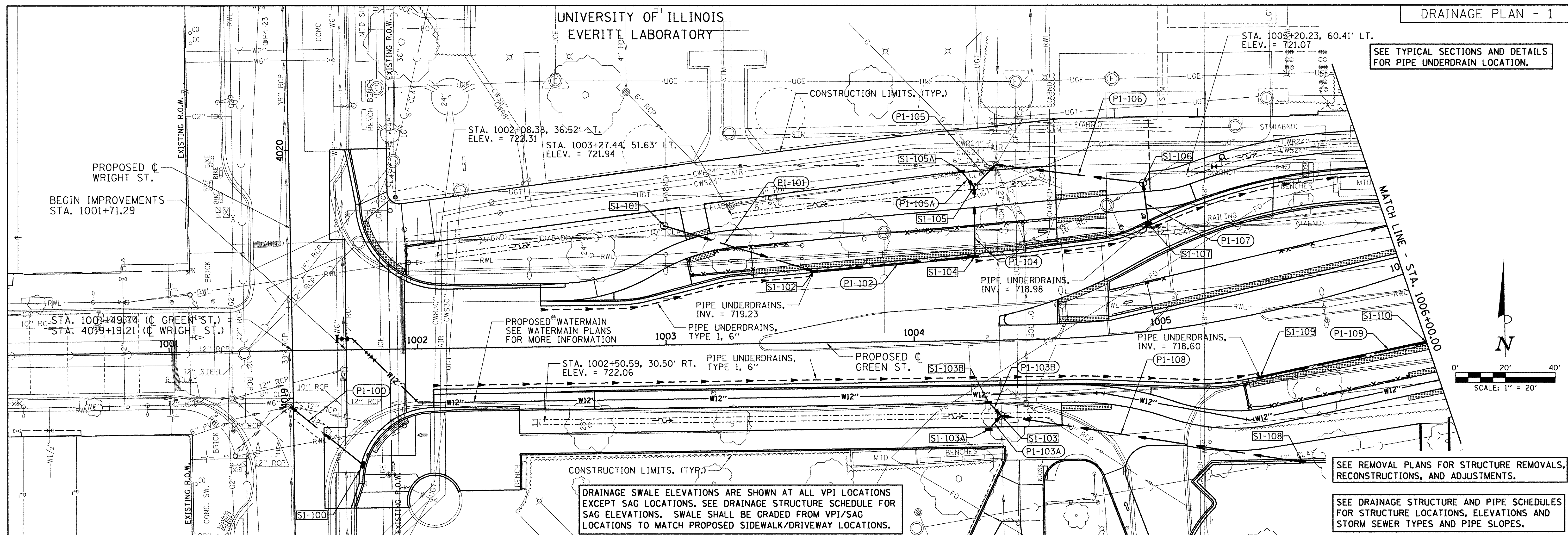
SEE TYPICAL SECTIONS AND DETAILS FOR PIPE UNDERDRAIN LOCATION.

PLAN	SURVEYED	DATE
	PLOTTED	
	CHECKED	
	BY	
	NO. OF SHEETS	
	DATE	

© Copyright Hanson Professional Services Inc. 2016  
**HANSON**  
Hanson Professional Services Inc.

PROFILE	SURVEYED	DATE
	PLOTTED	
	CHECKED	
	BY	
	NO. OF SHEETS	
	DATE	

LAYOUT	SAB	11/24/15
DRAWN	RLA	2/4/16
REVIEWED	MPB	3/22/16

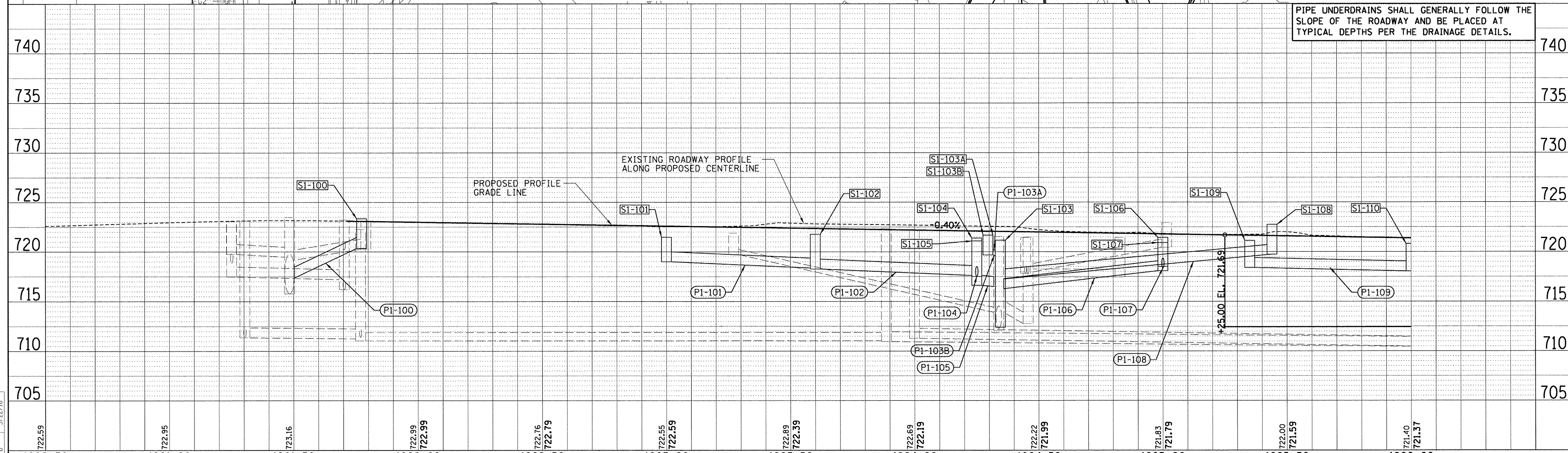


DRAINAGE SWALE ELEVATIONS ARE SHOWN AT ALL VPI LOCATIONS EXCEPT SAG LOCATIONS. SEE DRAINAGE STRUCTURE SCHEDULE FOR SAG ELEVATIONS. SWALE SHALL BE GRADED FROM VPI/SAG LOCATIONS TO MATCH PROPOSED SIDEWALK/DRIVEWAY LOCATIONS.

SEE REMOVAL PLANS FOR STRUCTURE REMOVALS, RECONSTRUCTIONS, AND ADJUSTMENTS.

SEE DRAINAGE STRUCTURE AND PIPE SCHEDULES FOR STRUCTURE LOCATIONS, ELEVATIONS AND STORM SEWER TYPES AND PIPE SLOPES.

PIPE UNDERDRAINS SHALL GENERALLY FOLLOW THE SLOPE OF THE ROADWAY AND BE PLACED AT TYPICAL DEPTHS PER THE DRAINAGE DETAILS.



1000+50	1001+00	1001+50	1002+00	1002+50	1003+00	1003+50	1004+00	1004+50	1005+00	1005+50	1006+00
722.59	722.95	723.16	722.99 722.99	722.76 722.79	722.55 722.59	722.89 722.39	722.69 722.19	722.22 721.99	721.83 721.79	722.00 721.59	721.40 721.37

FILE NAME = Z:\Plans\Sheets\Project1\P1-sht-GRNE-Drain01.dgn  
DESIGNED - BAB  
DRAWN - RLA  
CHECKED - MPB  
DATE - 8/26/2016

REVISIONS  
REVISED -  
REVISED -  
REVISED -  
REVISED -

STATE OF ILLINOIS  
DEPARTMENT OF TRANSPORTATION

PROJECT 1 - GREEN STREET  
DRAINAGE PLAN  
SCALE: 1"=20'  
SHEET NO. OF SHEETS STA. 1001+71.29 TO STA. 1006+00.00

F.A.U. R.T.E. 7126	SECTION 15-00304-01-PV	COUNTY CHAMPAIGN	TOTAL SHEETS 236	SHEET NO. 46
MCORE PROJECT 1		CONTRACT NO. 91539		
JOB NO. C-95-305-16 ILLINOIS FED. AID PROJECT TIG-51810571				

DRAINAGE STRUCTURE AND PIPE SCHEDULES - GREEN ST. DRAINAGE PLAN SHEET - 1

STORM SEWER STRUCTURE SCHEDULE									
STRUCTURE NUMBER	STATION	OFFSET	STRUCTURE TYPE	SPECIAL FRAME & GRATE TYPE	RIM ELEVATION	INVERT ELEVATIONS			
						N	S	E	W
S1-100	1001+77.35	46.50	RT	INLETS, TYPE A, WITH SPECIAL FRAME AND GRATE	NEENAH R-3429-A	723.52	719.52		
S1-101	1003+00.00	48.00	LT	INLETS, TYPE A, WITH SPECIAL FRAME AND GRATE	NEENAH R-4342	721.47		719.00	
S1-102	1003+60.00	28.90	LT	INLETS, TYPE B, WITH SPECIAL FRAME AND GRATE	NEENAH R-3471	721.77		718.27	718.37
S1-103	1004+34.50	30.50	RT	MANHOLES, TYPE A, 4'-DIAMETER, WITH SPECIAL FRAME AND GRATE	NEENAH R-4342	721.16	EX 712.39 718.61	EX 712.39 718.61	717.28
S1-103A	1004+29.50	36.00	RT	INLETS, TYPE A, WITH SPECIAL FRAME AND GRATE	NEENAH R-3429-A	721.68	718.68		
S1-103B	1004+29.50	25.00	RT	INLETS, TYPE A, WITH SPECIAL FRAME AND GRATE	NEENAH R-3429-A	721.68		718.68	
S1-104	1004+25.00	34.00	LT	INLETS, TYPE B, WITH SPECIAL FRAME AND GRATE	NEENAH R-3471	721.38	717.52		717.62
S1-105	1004+25.00	61.85	LT	INLETS, TYPE B, WITH SPECIAL FRAME AND GRATE	NEENAH R-4342	721.09	718.02	717.24	716.62
S1-105A	1004+20.00	68.33	LT	INLETS, TYPE A, WITH SPECIAL FRAME AND GRATE	NEENAH R-3429-A	721.60		718.10	EX 718.17
S1-106	1005+00.00	59.65	LT	MANHOLES, TYPE A, 4'-DIAMETER, TYPE 1 FRAME, CLOSED LID		721.44		718.18	718.08
S1-107	1005+00.00	42.98	LT	INLETS, TYPE A, WITH SPECIAL FRAME AND GRATE	NEENAH R-3429-A	721.52	718.52		
S1-108	1005+43.95	62.35	RT	INLETS, TYPE G-1		722.74			719.74
S1-109	1005+35.00	25.54	RT	INLETS, TYPE A, WITH SPECIAL FRAME AND GRATE	NEENAH R-3471	721.14		718.40	
S1-110	1006+00.00	29.20	RT	INLETS, TYPE B, WITH SPECIAL FRAME AND GRATE	NEENAH R-3471	720.80		718.05	718.05

STORM SEWER PIPE SCHEDULE										
PIPE NUMBER	FROM STRUCTURE	U/S INVERT	TO STRUCTURE	D/S INVERT	CLASS / TYPE	DIAMETER	LENGTH	SLOPE	TRENCH BACKFILL	
										P1-100
P1-101	S1-101	719.00	S1-102	718.37	STORM SEWERS, CLASS A, TYPE 1	12	63	1.00%	8	
P1-102	S1-102	718.27	S1-104	717.62	STORM SEWERS, CLASS A, TYPE 1	12	65	1.00%	9	
P1-103A	S1-103A	718.68	S1-103	718.61	STORM SEWERS, TYPE 1, WATER MAIN QUALITY PIPE	6	7	1.00%	1	
P1-103B	S1-103B	718.68	S1-103	718.61	STORM SEWERS, TYPE 1, WATER MAIN QUALITY PIPE	6	7	1.00%	1	
P1-104	S1-104	717.52	S1-105	717.24	STORM SEWERS, CLASS A, TYPE 1	12	28	1.00%	4	
P1-105	S1-105	716.62	EXISTING	716.50	STORM SEWERS, CLASS A, TYPE 2	12	12	1.00%	3	
P1-105A	S1-105A	719.60	S1-105	719.52	STORM SEWERS, TYPE 1, WATER MAIN QUALITY PIPE	6	8	1.00%	1	
P1-106	S1-106	718.08	EXISTING	716.28	STORM SEWERS, CLASS A, TYPE 2	12	60	3.00%	10	
P1-107	S1-107	718.52	S1-106	718.18	STORM SEWERS, CLASS A, TYPE 1	12	17	2.00%	2	
P1-108	S1-108	719.74	S1-103	717.28	STORM SEWERS, TYPE 1, WATER MAIN QUALITY PIPE	12	123	2.00%	16	
P1-109	S1-109	718.40	S1-110	718.05	STORM SEWERS, CLASS A, TYPE 1	12	69	0.51%	9	

NOTES:

- PIPE LENGTHS SHOWN IN STORM SEWER PIPE SCHEDULE ARE FROM CENTER OF STRUCTURE TO CENTER OF STRUCTURE.
- FIELD VERIFY EXISTING STRUCTURE CONDITIONS, LOCATIONS, PIPE SIZES, AND ELEVATIONS PRIOR TO ORDERING PROPOSED STRUCTURES.
- SPECIAL FRAME & GRATE TYPES SHALL BE AS SHOWN IN THE STORM SEWER STRUCTURE SCHEDULE OR APPROVED EQUIVALENTS.
- SEE PLAN SHEETS FOR PIPE UNDERDRAIN INVERTS. PIPE UNDERDRAIN INVERTS ARE NOT SHOWN IN THE SCHEDULES.
- INLET ELEVATION LOCATION:  
 INLETS, TY G-1 - SEE DETAIL  
 NEENAH R-3429-A - CENTER OF STRUCTURE  
 NEENAH R-3471 - MIDPOINT OF INLET ALONG THE EDGE OF PAVEMENT  
 NEENAH R-4342 - CENTER OF STRUCTURE  
 TY 3 - MIDPOINT OF INLET ALONG THE EDGE OF PAVEMENT  
 TY 11 - MIDPOINT OF INLET ALONG THE EDGE OF PAVEMENT

© Copyright Hanson Professional Services Inc. 2016  
**HANSON**  
 Hanson Professional Services Inc.

LAYOUT	BAB	11/24/15
DRAWN	RLA	2/4/16
REVIEWED	MPB	3/22/16

FILE NAME = Z:\Plans\sheets\Project1\P1-sht-GRNE-Drain01-schedule.dgn  
 PLOT DATE = 8/25/2016 1:28:45 PM

DESIGNED -	BAB	REVISED -	
DRAWN -	RLA	REVISED -	
CHECKED -	MPB	REVISED -	
DATE -	8/26/2016	REVISED -	

STATE OF ILLINOIS  
 DEPARTMENT OF TRANSPORTATION

PROJECT 1 - GREEN STREET  
 DRAINAGE STRUCTURE & PIPE SCHEDULES

SCALE: N/A SHEET NO. OF SHEETS STA. TO STA.

F.A.U. RTE.	SECTION	COUNTY	TOTAL SHEETS	SHEET NO.
7126	15-00304-01-PV	CHAMPAIGN	236	47
MCORE PROJECT 1			CONTRACT NO. 91539	
JOB NO. C-95-305-16 ILLINOIS FED. AID PROJECT TIG-5181057				

DRAINAGE SWALE ELEVATIONS ARE SHOWN AT ALL VPI LOCATIONS EXCEPT SAG LOCATIONS. SEE DRAINAGE STRUCTURE SCHEDULE FOR SAG ELEVATIONS. SWALE SHALL BE GRADED FROM VPI/SAG LOCATIONS TO MATCH PROPOSED SIDEWALK/DRIVEWAY LOCATIONS.

SEE TYPICAL SECTIONS AND DETAILS FOR PIPE UNDERDRAIN LOCATION.

UNIVERSITY OF ILLINOIS MATERIALS SCIENCE AND ENGINEERING

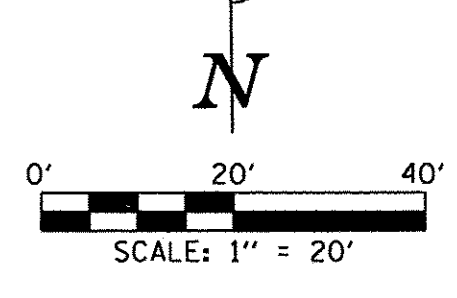
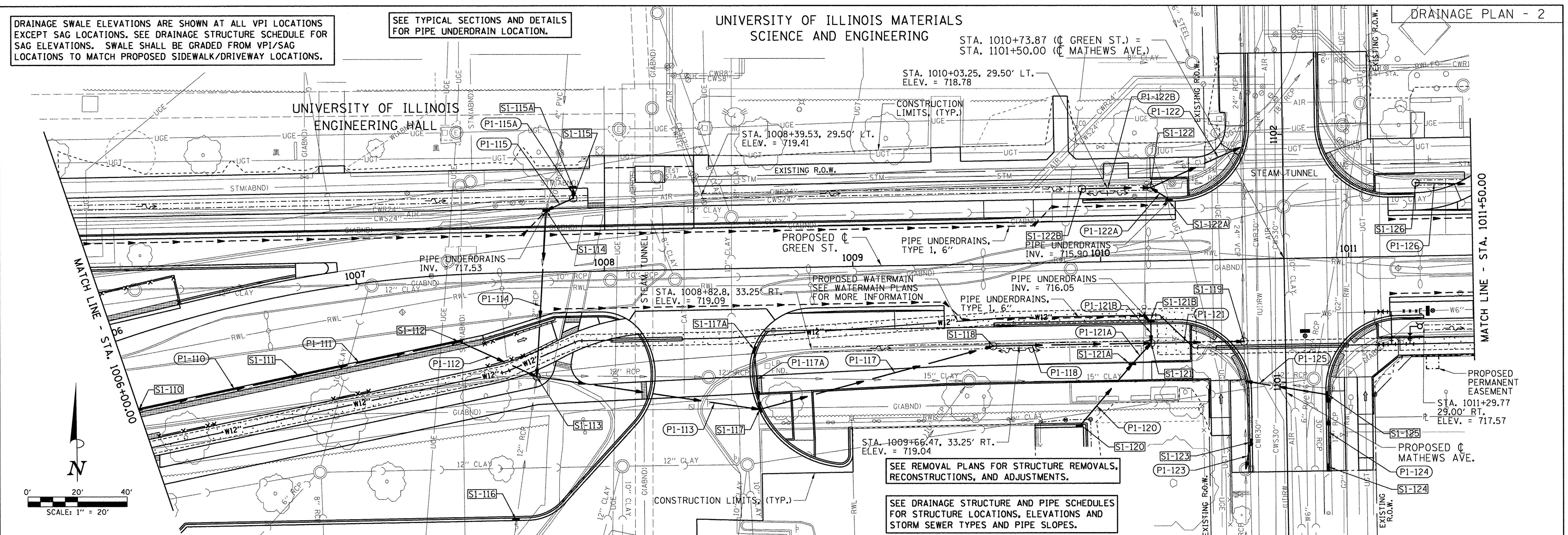
STA. 1010+73.87 (C GREEN ST.) = STA. 1101+50.00 (C MATHEWS AVE.)

PLAN	SURVEYED	DATE
	PLOTTED	
	CHECKED	
	REVISIONS	
	NO. DATE	
	BY	
	DATE	



PROFILE	SURVEYED	DATE
	PLOTTED	
	CHECKED	
	REVISIONS	
	NO. DATE	
	BY	
	DATE	

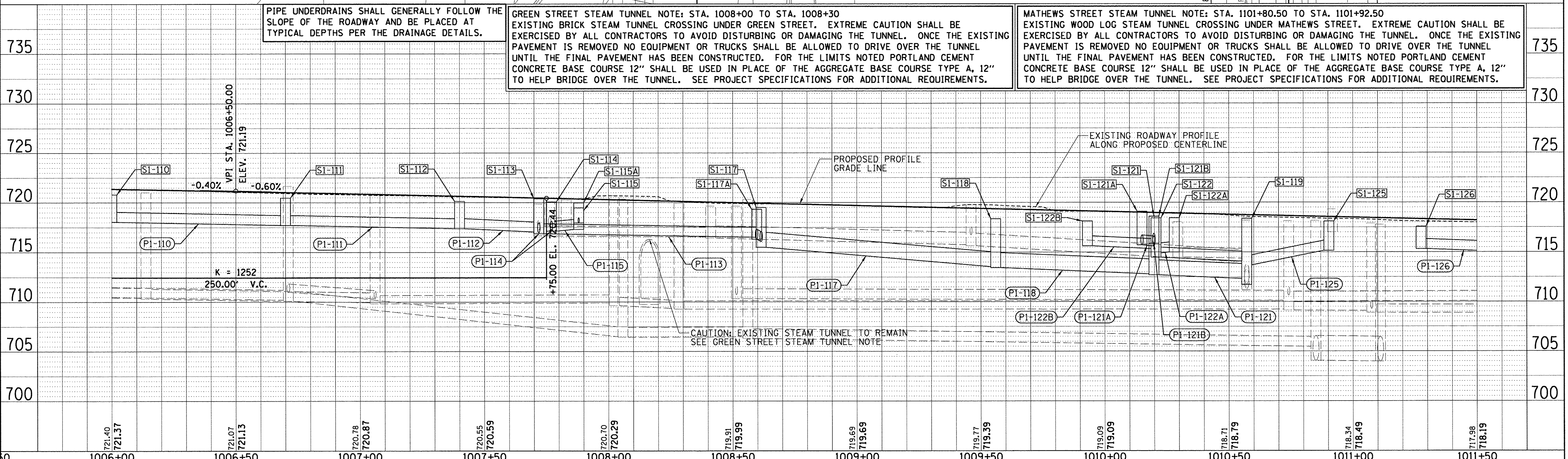
LAYOUT	BAB	11/24/15
DRAWN	RLA	2/4/16
REVIEWED	MPB	3/22/16



PIPE UNDERDRAINS SHALL GENERALLY FOLLOW THE SLOPE OF THE ROADWAY AND BE PLACED AT TYPICAL DEPTHS PER THE DRAINAGE DETAILS.

GREEN STREET STEAM TUNNEL NOTE: STA. 1008+00 TO STA. 1008+30 EXISTING BRICK STEAM TUNNEL CROSSING UNDER GREEN STREET. EXTREME CAUTION SHALL BE EXERCISED BY ALL CONTRACTORS TO AVOID DISTURBING OR DAMAGING THE TUNNEL. ONCE THE EXISTING PAVEMENT IS REMOVED NO EQUIPMENT OR TRUCKS SHALL BE ALLOWED TO DRIVE OVER THE TUNNEL UNTIL THE FINAL PAVEMENT HAS BEEN CONSTRUCTED. FOR THE LIMITS NOTED PORTLAND CEMENT CONCRETE BASE COURSE 12" SHALL BE USED IN PLACE OF THE AGGREGATE BASE COURSE TYPE A, 12" TO HELP BRIDGE OVER THE TUNNEL. SEE PROJECT SPECIFICATIONS FOR ADDITIONAL REQUIREMENTS.

MATHEWS STREET STEAM TUNNEL NOTE: STA. 1101+80.50 TO STA. 1101+92.50 EXISTING WOOD LOG STEAM TUNNEL CROSSING UNDER MATHEWS STREET. EXTREME CAUTION SHALL BE EXERCISED BY ALL CONTRACTORS TO AVOID DISTURBING OR DAMAGING THE TUNNEL. ONCE THE EXISTING PAVEMENT IS REMOVED NO EQUIPMENT OR TRUCKS SHALL BE ALLOWED TO DRIVE OVER THE TUNNEL UNTIL THE FINAL PAVEMENT HAS BEEN CONSTRUCTED. FOR THE LIMITS NOTED PORTLAND CEMENT CONCRETE BASE COURSE 12" SHALL BE USED IN PLACE OF THE AGGREGATE BASE COURSE TYPE A, 12" TO HELP BRIDGE OVER THE TUNNEL. SEE PROJECT SPECIFICATIONS FOR ADDITIONAL REQUIREMENTS.



FILE NAME = Z:\Plans\Sheets\Project1\P1-sht-GRNE-Drain02.dgn	DESIGNED - BAB	REVISED -	STATE OF ILLINOIS DEPARTMENT OF TRANSPORTATION	PROJECT 1 - GREEN STREET DRAINAGE PLAN	F.A.U. RTE. 7126	SECTION 15-00304-01-PV	COUNTY CHAMPAIGN	TOTAL SHEETS 236	SHEET NO. 48	
PLOT DATE = 8/25/2016 1:29:52 PM	DRAWN - RLA	REVISED -			SCALE: 1"=20'	SHEET NO. OF SHEETS	STA. 1006+00.00 TO STA. 1011+50.00	MCORE PROJECT 1 CONTRACT NO. 91539		
	CHECKED - MPB	REVISED -			JOB NO. C-95-305-16 ILLINOIS FED. AID PROJECT TIG-51810571					
	DATE - 8/26/2016	REVISED -								



DRAINAGE STRUCTURE AND PIPE SCHEDULES - GREEN ST. DRAINAGE PLAN SHEET - 2

**STORM SEWER STRUCTURE SCHEDULE**

STRUCTURE NUMBER	STATION	OFFSET	RT	STRUCTURE TYPE	SPECIAL FRAME & GRATE TYPE	RIM ELEVATION	INVERT ELEVATIONS			
							N	S	E	W
S1-110	1006+00.00	29.20	RT	INLETS, TYPE B, WITH SPECIAL FRAME AND GRATE	NEENAH R-3471	720.80			718.05	718.05
S1-111	1006+70.00	32.79	RT	INLETS, TYPE B, WITH SPECIAL FRAME AND GRATE	NEENAH R-3471	720.47			717.72	717.72
S1-112	1007+40.00	27.13	RT	INLETS, TYPE B, WITH SPECIAL FRAME AND GRATE	NEENAH R-3471	720.14			717.39	717.39
S1-113	1007+71.90	42.18	RT	MANHOLES, TYPE A, 4'-DIAMETER, TYPE 1 FRAME, CLOSED LID		720.08	716.97	EX 717.26	716.87	717.05
S1-114	1007+77.00	24.75	LT	MANHOLES, TYPE A, 4'-DIAMETER, WITH SPECIAL FRAME AND GRATE	NEENAH R-3429-A	720.04	EX 717.99	717.24	717.24	
S1-115	1007+88.00	29.50	LT	INLETS, TYPE A, WITH SPECIAL FRAME AND GRATE	NEENAH R-4342	719.47	717.92			717.30
S1-115A	1007+88.00	34.00	LT	INLETS, TYPE A, WITH SPECIAL FRAME AND GRATE	NEENAH R-3429-A	719.97		717.97		
S1-116	1007+62.48	99.71	RT	INLETS, TYPE G-1		721.17	EX 718.3			
S1-117	1008+61.44	57.03	RT	INLETS, TYPE G-1		719.50	716.08		715.50	716.51
S1-117A	1008+59.63	32.93	RT	INLETS, TYPE G-1		719.32		716.32		
S1-118	1009+56.00	33.25	RT	MANHOLES, TYPE A, 4'-DIAMETER, WITH SPECIAL FRAME AND GRATE	NEENAH R-4342	718.35			713.44	713.54
S1-119	1010+57.16	33.25	RT	MANHOLES, TYPE A, 5'-DIAMETER, TYPE 1 FRAME, CLOSED LID		718.37	EX 711.71	EX 711.71		712.33
S1-120	1009+90.24	66.18	RT	INLETS, TYPE G-1		719.33	716.83			
S1-121	1010+19.77	33.25	RT	MANHOLES, TYPE A, 4'-DIAMETER, WITH SPECIAL FRAME AND GRATE	NEENAH R-4342	718.59	715.78	715.60	712.70	712.80
S1-121A	1010+15.00	41.50	RT	INLETS, TYPE B, WITH SPECIAL FRAME AND GRATE	NEENAH R-3429-A	719.10	715.71	716.67		
S1-121B	1010+19.77	24.75	RT	INLETS, TYPE B, TYPE 11 FRAME AND GRATE		718.61		715.87		
S1-122	1010+20.64	29.50	LT	MANHOLES, TYPE A, 4'-DIAMETER, WITH SPECIAL FRAME AND GRATE	NEENAH R-4342	718.43		714.91	714.48	715.34
S1-122A	1010+28.00	24.75	LT	INLETS, TYPE B, TYPE 11 FRAME AND GRATE		718.44	715.00			
S1-122B	1009+93.00	29.50	LT	INLETS, TYPE A, WITH SPECIAL FRAME AND GRATE	NEENAH R-4342	718.12			715.62	
S1-123	1100+76.00	14.83	LT	INLETS, TYPE B, TYPE 11 FRAME AND GRATE		718.12		715.12		
S1-124	1100+65.50	16.83	RT	INLETS, TYPE B, TYPE 11 FRAME AND GRATE		718.26	715.54			
S1-125	1100+94.67	16.83	RT	INLETS, TYPE B, TYPE 11 FRAME AND GRATE		718.10		715.25		715.15
S1-126	1011+27.50	29.50	LT	INLETS, TYPE A, WITH SPECIAL FRAME AND GRATE	NEENAH R-4342	717.57			715.32	

**STORM SEWER PIPE SCHEDULE**

PIPE NUMBER	FROM STRUCTURE	U/S INVERT	TO STRUCTURE	D/S INVERT	CLASS / TYPE	DIAMETER	LENGTH	SLOPE	TRENCH BACKFILL
P1-111	S1-111	717.72	S1-112	717.39	STORM SEWERS, CLASS A, TYPE 1	12	66	0.50%	9
P1-112	S1-112	717.39	S1-113	717.05	STORM SEWERS, TYPE 1, WATER MAIN QUALITY PIPE	12	34	1.00%	4
P1-113	S1-113	716.87	S1-117	716.51	STORM SEWERS, TYPE 1, WATER MAIN QUALITY PIPE	18	91	0.40%	10
P1-114	S1-114	717.24	S1-113	716.97	STORM SEWERS, TYPE 1, WATER MAIN QUALITY PIPE	12	67	0.40%	9
P1-115	S1-115	717.30	S1-114	717.24	STORM SEWERS, CLASS A, TYPE 1	12	12	0.50%	2
P1-115A	S1-115A	717.97	S1-115	717.92	STORM SEWERS, TYPE 1, WATER MAIN QUALITY PIPE	6	5	1.00%	1
P1-117	S1-117	715.50	S1-118	713.54	STORM SEWERS, CLASS A, TYPE 1	18	98	2.00%	20
P1-117A	S1-117A	716.32	S1-117	716.08	STORM SEWERS, TYPE 1, WATER MAIN QUALITY PIPE	12	24	1.00%	3
P1-118	S1-118	713.44	S1-121	712.80	STORM SEWERS, TYPE 2, WATER MAIN QUALITY PIPE	18	64	1.00%	20
P1-120	S1-120	716.83	S1-121A	716.67	STORM SEWERS, CLASS A, TYPE 1	12	32	0.50%	4
P1-121	S1-121	712.70	S1-119	712.33	STORM SEWERS, TYPE 2, WATER MAIN QUALITY PIPE	18	37	1.00%	14
P1-121A	S1-121A	715.71	S1-121	715.60	STORM SEWERS, TYPE 1, WATER MAIN QUALITY PIPE	12	11	1.00%	1
P1-121B	S1-121B	715.87	S1-121	715.78	STORM SEWERS, TYPE 1, WATER MAIN QUALITY PIPE	12	9	1.00%	1
P1-122	S1-122	714.48	EXISTING	714.08	STORM SEWERS, CLASS A, TYPE 1	12	40	1.00%	6
P1-122A	S1-122A	715.00	S1-122	714.91	STORM SEWERS, CLASS A, TYPE 1	12	9	1.00%	1
P1-122B	S1-122B	715.62	S1-122	715.34	STORM SEWERS, CLASS A, TYPE 1	12	28	1.00%	4
P1-123	S1-123	715.12	EXISTING	715.01	STORM SEWERS, TYPE 1, WATER MAIN QUALITY PIPE	12	11	1.00%	1
P1-124	S1-124	715.54	S1-125	715.25	STORM SEWERS, TYPE 1, WATER MAIN QUALITY PIPE	12	29	1.00%	4
P1-125	S1-125	715.15	EXISTING	713.69	STORM SEWERS, TYPE 2, WATER MAIN QUALITY PIPE	12	34	4.29%	5
P1-126	S1-126	715.32	S1-127	714.57	STORM SEWERS, TYPE 1, WATER MAIN QUALITY PIPE	12	83	0.90%	11

**NOTES:**

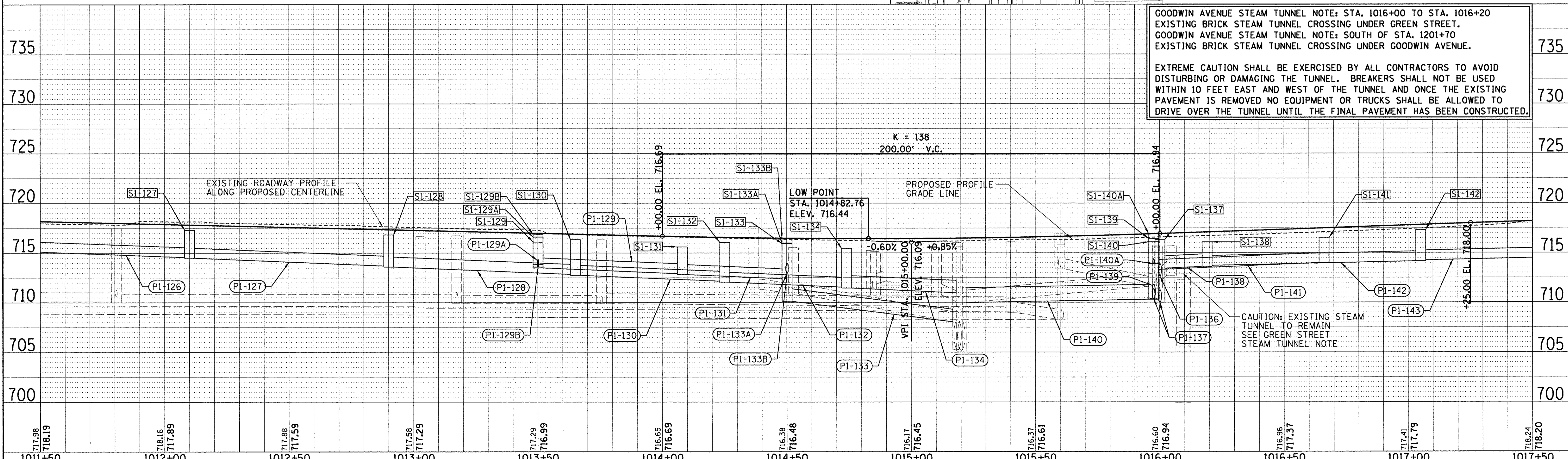
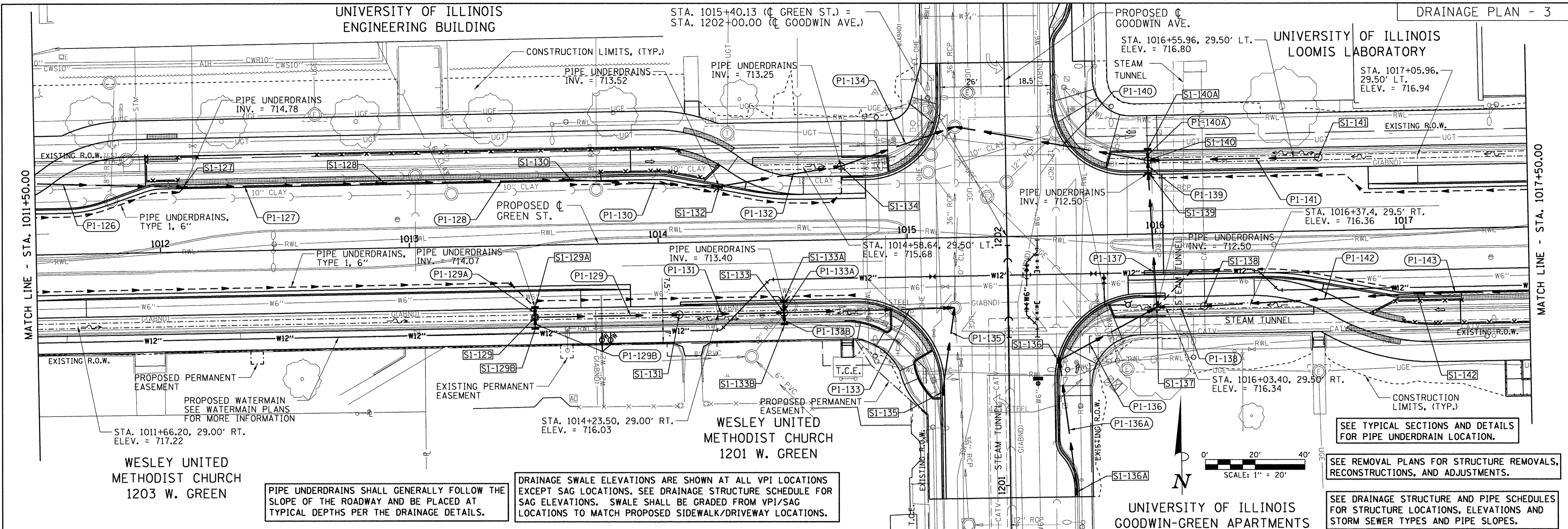
- PIPE LENGTHS SHOWN IN STORM SEWER PIPE SCHEDULE ARE FROM CENTER OF STRUCTURE TO CENTER OF STRUCTURE.
- FIELD VERIFY EXISTING STRUCTURE CONDITIONS, LOCATIONS, PIPE SIZES, AND ELEVATIONS PRIOR TO ORDERING PROPOSED STRUCTURES.
- SPECIAL FRAME & GRATE TYPES SHALL BE AS SHOWN IN THE STORM SEWER STRUCTURE SCHEDULE OR APPROVED EQUIVALENTS.
- SEE PLAN SHEETS FOR PIPE UNDERDRAIN INVERTS. PIPE UNDERDRAIN INVERTS ARE NOT SHOWN IN THE SCHEDULES.
- INLET ELEVATION LOCATION:  
 INLETS, TY G-1 - SEE DETAIL  
 NEENAH R-3429-A - CENTER OF STRUCTURE  
 NEENAH R-3471 - MIDPOINT OF INLET ALONG THE EDGE OF PAVEMENT  
 NEENAH R-4342 - CENTER OF STRUCTURE  
 TY 3 - MIDPOINT OF INLET ALONG THE EDGE OF PAVEMENT  
 TY 11 - MIDPOINT OF INLET ALONG THE EDGE OF PAVEMENT

DATE	
BY	
REVISIONS	
NO.	
DESCRIPTION	
DATE	
BY	
REVIEWED	
DATE	

© Copyright Hanson Professional Services Inc. 2016  
**HANSON**  
 Hanson Professional Services Inc.

DATE	
BY	
REVISIONS	
NO.	
DESCRIPTION	
DATE	
BY	
REVIEWED	
DATE	

DATE	11/24/15
BY	RLA
REVISIONS	2/4/16
NO.	3/22/16
DESCRIPTION	
DATE	
BY	
REVIEWED	
DATE	



FILE NAME =	Z:\Plans\sheets\Project1\P1-sht-GRNE-Drain03.dgn	DESIGNED -	BAB	REVISED -		STATE OF ILLINOIS DEPARTMENT OF TRANSPORTATION	PROJECT 1 - GREEN STREET DRAINAGE PLAN		F.A.U. R.T.E.	SECTION	COUNTY	TOTAL SHEETS	SHEET NO.		
PLOT DATE =	8/25/2016 1:31:16 PM	DRAWN -	RLA	REVISED -			SCALE: 1"=20'	SHEET NO.	OF SHEETS	STA. 1011+50.00 TO STA. 1017+50.00	7126	15-00304-01-PV	CHAMPAIGN	236	50
		CHECKED -	MPB	REVISED -							MSCORE PROJECT 1		CONTRACT NO. 91539		
		DATE	8/26/2016	REVISED							JOB NO. C-95-305-16 ILLINOIS FED. AID PROJECT TIG-5181(057)				

DRAINAGE STRUCTURE AND PIPE SCHEDULES - GREEN ST. DRAINAGE PLAN SHEET - 3

**STORM SEWER STRUCTURE SCHEDULE**

STRUCTURE NUMBER	STATION	OFFSET	STRUCTURE TYPE	SPECIAL FRAME & GRATE TYPE	RIM ELEVATION	INVERT ELEVATIONS				
						N	S	E	W	
S1-127	1012+10.00	26.00	LT	INLETS, TYPE B, WITH SPECIAL FRAME AND GRATE	NEENAH R-3471	717.32		714.50	714.57	
S1-128	1012+90.00	26.00	LT	INLETS, TYPE B, WITH SPECIAL FRAME AND GRATE	NEENAH R-3471	716.84		713.60	713.70	
S1-129	1013+50.00	29.00	RT	INLETS, TYPE B, WITH SPECIAL FRAME AND GRATE	NEENAH R-4342	716.10	713.57	713.81	713.50	
S1-129A	1013+50.00	25.00	RT	INLETS, TYPE A, WITH SPECIAL FRAME AND GRATE	NEENAH R-3429-A	716.61		713.61		
S1-129B	1013+50.00	33.50	RT	INLETS, TYPE A, WITH SPECIAL FRAME AND GRATE	NEENAH R-3429-A	716.86	713.86			
S1-130	1013+65.00	26.00	LT	INLETS, TYPE B, WITH SPECIAL FRAME AND GRATE	NEENAH R-3471	716.39		712.75	712.85	
S1-131	1014+08.00	29.00	RT	INLETS, TYPE B, WITH SPECIAL FRAME AND GRATE	NEENAH R-4342	715.61		712.82	712.92	
S1-132	1014+25.00	22.32	LT	INLETS, TYPE B, TYPE 3 FRAME AND GRATE		716.06		712.05	712.15	
S1-133	1014+50.00	29.00	RT	MANHOLES, TYPE A, 4'-DIAMETER, WITH SPECIAL FRAME AND GRATE	NEENAH R-4342	715.94	712.86	713.4 EX 710.95	710.12	712.40
S1-133A	1014+50.00	24.75	RT	INLETS, TYPE B, TYPE 11 FRAME AND GRATE		716.00		712.94		
S1-133B	1014+50.00	33.50	RT	INLETS, TYPE A, WITH SPECIAL FRAME AND GRATE	NEENAH R-3429-A	716.45	713.45			
S1-134	1014+74.00	29.50	LT	INLETS, TYPE B, WITH SPECIAL FRAME AND GRATE	NEENAH R-4342	715.44		711.45	711.55	
S1-135	1201+38.00	26.83	LT	INLETS, TYPE B, TYPE 11 FRAME AND GRATE		716.98	713.98			
S1-136	1201+50.00	20.46	RT	INLETS, TYPE B, WITH SPECIAL FRAME AND GRATE	NEENAH R-3471	717.06		714.02	713.92	
S1-136A	1200+97.00	26.83	RT	INLETS, TYPE B, TYPE 11 FRAME AND GRATE		718.08	715.08			
S1-137	1016+00.00	29.50	RT	MANHOLES, TYPE A, 4'-DIAMETER, TYPE 1 FRAME, CLOSED LID		716.34	710.62	713.02	713.43	
S1-138	1016+19.00	29.50	RT	INLETS, TYPE B, WITH SPECIAL FRAME AND GRATE	NEENAH R-4342	716.38		713.72	713.62	
S1-139	1015+97.50	24.75	LT	INLETS, TYPE B, TYPE 11 FRAME AND GRATE		716.44	710.35	710.35		
S1-140	1015+97.50	29.50	LT	MANHOLES, TYPE A, 4'-DIAMETER, WITH SPECIAL FRAME AND GRATE	NEENAH R-4342	716.10	713.84	710.30	713.31	710.30
S1-140A	1015+97.50	34.00	LT	INLETS, TYPE A, WITH SPECIAL FRAME AND GRATE	NEENAH R-3429-A	716.89		713.89		
S1-141	1016+66.00	29.50	LT	INLETS, TYPE A, WITH SPECIAL FRAME AND GRATE	NEENAH R-4342	716.49			713.99	
S1-142	1017+05.00	26.00	RT	INLETS, TYPE B, TYPE 3 FRAME AND GRATE		717.32		714.25	714.15	

**STORM SEWER PIPE SCHEDULE**

PIPE NUMBER	FROM STRUCTURE	U/S INVERT	TO STRUCTURE	D/S INVERT	CLASS / TYPE	DIAMETER	LENGTH	SLOPE	TRENCH BACKFILL
P1-127	S1-127	714.50	S1-128	713.70	STORM SEWERS, TYPE 1, WATER MAIN QUALITY PIPE	12	80	1.00%	11
P1-128	S1-128	713.60	S1-130	712.85	STORM SEWERS, CLASS A, TYPE 1	12	75	1.00%	10
P1-129	S1-129	713.50	S1-131	712.92	STORM SEWERS, TYPE 1, WATER MAIN QUALITY PIPE	12	58	1.00%	8
P1-129A	S1-129A	713.61	S1-129	713.57	STORM SEWERS, TYPE 1, WATER MAIN QUALITY PIPE	6	4	1.00%	1
P1-129B	S1-129B	713.86	S1-129	713.81	STORM SEWERS, TYPE 1, WATER MAIN QUALITY PIPE	6	5	1.00%	1
P1-130	S1-130	712.75	S1-132	712.15	STORM SEWERS, CLASS A, TYPE 1	12	60	1.00%	9
P1-131	S1-131	712.82	S1-133	712.40	STORM SEWERS, TYPE 1, WATER MAIN QUALITY PIPE	12	42	1.00%	6
P1-132	S1-132	712.05	S1-134	711.55	STORM SEWERS, CLASS A, TYPE 1	12	50	1.00%	8
P1-133	S1-133	710.12	EXISTING	708.05	STORM SEWERS, TYPE 2, WATER MAIN QUALITY PIPE	15	69	3.00%	56
P1-133A	S1-133A	712.94	S1-133	712.86	STORM SEWERS, TYPE 1, WATER MAIN QUALITY PIPE	12	4	2.00%	1
P1-133B	S1-133B	713.45	S1-133	713.40	STORM SEWERS, TYPE 1, WATER MAIN QUALITY PIPE	6	5	1.00%	1
P1-134	S1-134	711.45	EXISTING	710.01	STORM SEWERS, TYPE 1, WATER MAIN QUALITY PIPE	15	48	3.00%	12
P1-135	S1-135	713.98	EXISTING	713.47	STORM SEWERS, TYPE 1, WATER MAIN QUALITY PIPE	12	34	1.50%	4
P1-136	S1-136	713.92	S1-137	713.02	STORM SEWERS, TYPE 1, WATER MAIN QUALITY PIPE	12	45	2.00%	6
P1-136A	S1-136A	715.08	S1-136	714.02	STORM SEWERS, TYPE 1, WATER MAIN QUALITY PIPE	12	53	2.00%	7
P1-137	S1-137	710.62	S1-139	710.35	STORM SEWERS, TYPE 2, WATER MAIN QUALITY PIPE	15	54	0.50%	20
P1-138	S1-138	713.62	S1-137	713.43	STORM SEWERS, TYPE 1, WATER MAIN QUALITY PIPE	15	19	1.00%	2
P1-139	S1-139	710.35	S1-140	710.30	STORM SEWERS, CLASS A, TYPE 2	15	5	1.00%	2
P1-140	S1-140	710.30	EXISTING	709.98	STORM SEWERS, TYPE 2, WATER MAIN QUALITY PIPE	18	79	0.41%	30
P1-140A	S1-140A	713.89	S1-140	713.84	STORM SEWERS, TYPE 1, WATER MAIN QUALITY PIPE	6	5	1.00%	1
P1-141	S1-141	713.99	S1-140	713.31	STORM SEWERS, CLASS A, TYPE 1	12	68	1.00%	9
P1-142	S1-142	714.15	S1-138	713.72	STORM SEWERS, TYPE 1, WATER MAIN QUALITY PIPE	12	86	0.50%	11
P1-143	S1-143	714.50	S1-142	714.25	STORM SEWERS, TYPE 1, WATER MAIN QUALITY PIPE	12	50	0.50%	7

**NOTES:**

- PIPE LENGTHS SHOWN IN STORM SEWER PIPE SCHEDULE ARE FROM CENTER OF STRUCTURE TO CENTER OF STRUCTURE.
- FIELD VERIFY EXISTING STRUCTURE CONDITIONS, LOCATIONS, PIPE SIZES, AND ELEVATIONS PRIOR TO ORDERING PROPOSED STRUCTURES.
- SPECIAL FRAME & GRATE TYPES SHALL BE AS SHOWN IN THE STORM SEWER STRUCTURE SCHEDULE OR APPROVED EQUIVALENTS.
- SEE PLAN SHEETS FOR PIPE UNDERDRAIN INVERTS. PIPE UNDERDRAIN INVERTS ARE NOT SHOWN IN THE SCHEDULES.
- INLET ELEVATION LOCATION:  
 INLETS, TY G-1 - SEE DETAIL  
 NEENAH R-3429-A - CENTER OF STRUCTURE  
 NEENAH R-3471 - MIDPOINT OF INLET ALONG THE EDGE OF PAVEMENT  
 NEENAH R-4342 - CENTER OF STRUCTURE  
 TY 3 - MIDPOINT OF INLET ALONG THE EDGE OF PAVEMENT  
 TY 11 - MIDPOINT OF INLET ALONG THE EDGE OF PAVEMENT

© Copyright Hanson Professional Services Inc. 2016  
**HANSON**  
 Hanson Professional Services Inc.

LAYOUT	BAB	11/24/15
DRAWN	RLA	2/4/16
REVIEWED	MPB	3/22/16

FILE NAME = Z:\Plans\Sheets\Project1\PI-sht-GRNE-Drain03-schedule.dgn  
 PLOT DATE = 8/25/2016 1:31:20 PM

DESIGNED - BAB  
 DRAWN - RLA  
 CHECKED - MPB  
 DATE - 8/26/2016

REVISED -  
 REVISED -  
 REVISED -  
 REVISED -

STATE OF ILLINOIS  
 DEPARTMENT OF TRANSPORTATION

PROJECT 1 - GREEN STREET  
 DRAINAGE STRUCTURE & PIPE SCHEDULES

SCALE: N/A SHEET NO. OF SHEETS STA. TO STA.

F.A.U. RTE.	SECTION	COUNTY	TOTAL SHEETS	SHEET NO.
7126	15-00304-01-PV	CHAMPAIGN	236	51
MCORE PROJECT 1		CONTRACT NO. 91539		
JOB NO. C-95-305-16		ILLINOIS FED. AID PROJECT TIG-51810571		

UNIVERSITY OF ILLINOIS  
LOOMIS LABORATORY

UNIVERSITY OF ILLINOIS  
DANIELS HALL

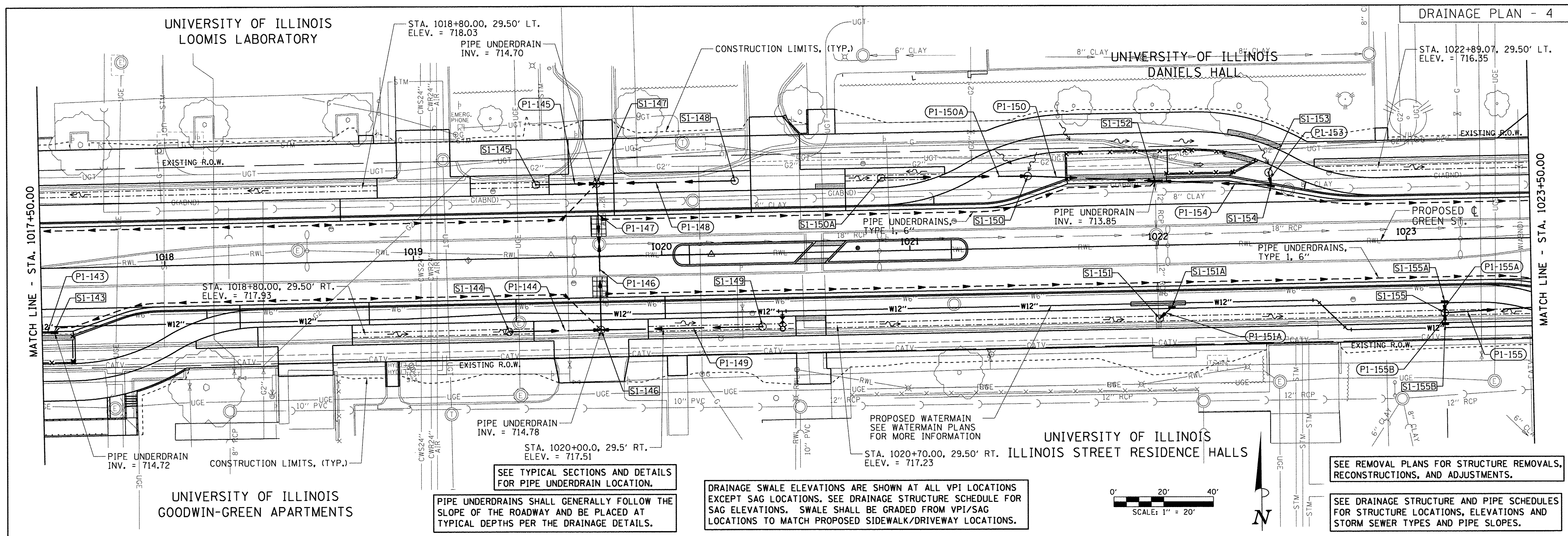
UNIVERSITY OF ILLINOIS  
GOODWIN-GREEN APARTMENTS

UNIVERSITY OF ILLINOIS  
ILLINOIS STREET RESIDENCE HALLS

PLAN	SURVEYED	DATE
	PLOTTED	
	CHECKED	
	BY	
	NO. OF WAY CHECKED	
	CADD FILE NAME	
	NO.	

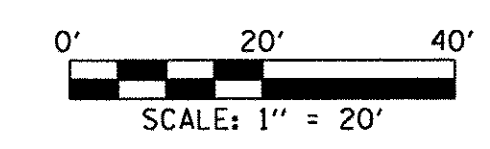
PROFILE	SURVEYED	DATE
	PLOTTED	
	CHECKED	
	BY	
	NO. OF WAY CHECKED	
	STRUCTURE NOTATIONS CHK'D	
	NO.	

LAYOUT	GAB	11/24/15
DRAWN	RLA	2/4/16
REVIEWED	MPB	3/22/16

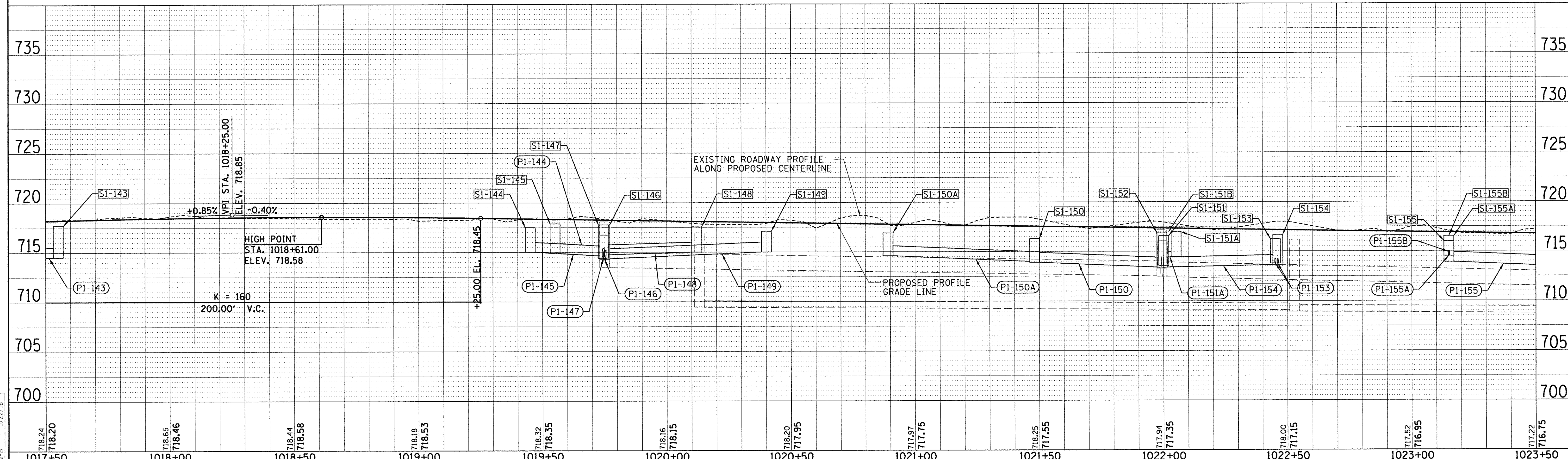


SEE TYPICAL SECTIONS AND DETAILS FOR PIPE UNDERDRAIN LOCATION.  
PIPE UNDERDRAINS SHALL GENERALLY FOLLOW THE SLOPE OF THE ROADWAY AND BE PLACED AT TYPICAL DEPTHS PER THE DRAINAGE DETAILS.

DRAINAGE SWALE ELEVATIONS ARE SHOWN AT ALL VPI LOCATIONS EXCEPT SAG LOCATIONS. SEE DRAINAGE STRUCTURE SCHEDULE FOR SAG ELEVATIONS. SWALE SHALL BE GRADED FROM VPI/SAG LOCATIONS TO MATCH PROPOSED SIDEWALK/DRIVEWAY LOCATIONS.



SEE REMOVAL PLANS FOR STRUCTURE REMOVALS, RECONSTRUCTIONS, AND ADJUSTMENTS.  
SEE DRAINAGE STRUCTURE AND PIPE SCHEDULES FOR STRUCTURE LOCATIONS, ELEVATIONS AND STORM SEWER TYPES AND PIPE SLOPES.



FILE NAME = Z:\Plans\Sheets\Project1\P1-sht-GRNE-Drain04.dgn	DESIGNED - BAB	REVISED -	STATE OF ILLINOIS DEPARTMENT OF TRANSPORTATION	PROJECT 1 - GREEN STREET DRAINAGE PLAN		F.A.U. RT. 7126	SECTION 15-00304-01-PV	COUNTY CHAMPAIGN	TOTAL SHEETS 236	SHEET NO. 52
PLOT DATE = 8/25/2016 1:32:41 PM	DRAWN - RLA	REVISED -		SCALE: 1"=20'	SHEET NO. OF SHEETS	STA. 1017+50.00 TO STA. 1023+50.00	MCORE PROJECT 1		CONTRACT NO. 91539	
	CHECKED - MPB	REVISED -					JOB NO. C-95-305-16		ILLINOIS FED. AID PROJECT TIG-51810571	
	DATE - 8/26/2016	REVISED -								

DRAINAGE STRUCTURE AND PIPE SCHEDULES - GREEN ST. DRAINAGE PLAN SHEET - 4

**STORM SEWER STRUCTURE SCHEDULE**

STRUCTURE NUMBER	STATION	OFFSET	RT	STRUCTURE TYPE	SPECIAL FRAME & GRATE TYPE	RIM ELEVATION	INVERT ELEVATIONS			
							N	S	E	W
S1-143	1017+55.00	26.00	RT	INLETS, TYPE A, WITH SPECIAL FRAME AND GRATE	NEENAH R-3471	717.72				714.50
S1-144	1019+45.00	29.50	RT	INLETS, TYPE A, WITH SPECIAL FRAME AND GRATE	NEENAH R-4342	717.51			715.00	
S1-145	1019+55.00	29.50	LT	INLETS, TYPE A, WITH SPECIAL FRAME AND GRATE	NEENAH R-4342	717.46			714.88	
S1-146	1019+75.00	29.50	RT	MANHOLES, TYPE A, 4'-DIAMETER, TYPE 1 FRAME, CLOSED LID		717.78	714.25		714.35	714.63
S1-147	1019+74.41	29.50	LT	MANHOLES, TYPE A, 4'-DIAMETER, TYPE 1 FRAME, CLOSED LID		717.78		714.40	714.72	714.64
S1-148	1020+12.00	29.50	LT	INLETS, TYPE A, TYPE 1 FRAME, OPEN LID		717.60				715.00
S1-149	1020+40.00	29.50	RT	INLETS, TYPE A, WITH SPECIAL FRAME AND GRATE	NEENAH R-4342	717.10				715.00
S1-150	1021+48.00	29.00	LT	INLETS, TYPE B, WITH SPECIAL FRAME AND GRATE	NEENAH R-4342	716.30			713.91	714.01
S1-150A	1020+89.00	29.50	LT	INLETS, TYPE A, WITH SPECIAL FRAME AND GRATE	NEENAH R-4342	716.90				714.60
S1-151	1022+00.00	29.50	RT	INLETS, TYPE B, WITH SPECIAL FRAME AND GRATE	NEENAH R-4342	716.58	EX 713.57		714.40	
S1-151A	1022+05.00	25.00	RT	INLETS, TYPE A, WITH SPECIAL FRAME AND GRATE	NEENAH R-3429-A	716.95				714.45
S1-152	1021+99.31	26.00	LT	MANHOLES, TYPE A, 4'-DIAMETER, WITH SPECIAL FRAME AND GRATE	NEENAH R-3471	716.85		EX 713.3	713.40	713.40
S1-153	1022+45.00	28.50	LT	INLETS, TYPE A, WITH SPECIAL FRAME AND GRATE	NEENAH R-4342	716.25		713.78		
S1-154	1022+46.00	23.36	LT	INLETS, TYPE B, TYPE 3 FRAME AND GRATE		716.66	713.73			713.63
S1-155	1023+15.00	29.50	RT	INLETS, TYPE B, WITH SPECIAL FRAME AND GRATE	NEENAH R-4342	716.00	714.46		714.46	713.90
S1-155A	1023+15.00	25.00	RT	INLETS, TYPE A, WITH SPECIAL FRAME AND GRATE	NEENAH R-3429-A	716.51			714.51	
S1-155B	1023+15.00	34.00	RT	INLETS, TYPE A, WITH SPECIAL FRAME AND GRATE	NEENAH R-3429-A	716.51	714.51			

**STORM SEWER PIPE SCHEDULE**

PIPE NUMBER	FROM STRUCTURE	U/S INVERT	TO STRUCTURE	D/S INVERT	CLASS / TYPE	DIAMETER	LENGTH	SLOPE	TRENCH BACKFILL
P1-144	S1-144	715.00	S1-146	714.63	STORM SEWERS, TYPE 1, WATER MAIN QUALITY PIPE	12	37	1.00%	5
P1-145	S1-145	714.88	S1-147	714.64	STORM SEWERS, TYPE 1, WATER MAIN QUALITY PIPE	12	24	1.00%	3
P1-146	S1-146	714.25	EXISTING	713.90	STORM SEWERS, TYPE 1, WATER MAIN QUALITY PIPE	12	35	1.00%	5
P1-147	S1-147	714.40	EXISTING	714.13	STORM SEWERS, CLASS A, TYPE 1	12	25	1.08%	3
P1-148	S1-148	715.00	S1-147	714.72	STORM SEWERS, CLASS A, TYPE 1	12	56	0.50%	7
P1-149	S1-149	715.00	S1-146	714.35	STORM SEWERS, TYPE 1, WATER MAIN QUALITY PIPE	12	65	1.00%	9
P1-150	S1-150	713.91	S1-152	713.40	STORM SEWERS, CLASS A, TYPE 1	12	51	1.00%	7
P1-150A	S1-150A	714.60	S1-150	714.01	STORM SEWERS, CLASS A, TYPE 1	12	59	1.00%	8
P1-151A	S1-151A	714.45	S1-151	714.40	STORM SEWERS, TYPE 1, WATER MAIN QUALITY PIPE	6	5	1.00%	1
P1-153	S1-153	713.78	S1-154	713.73	STORM SEWERS, TYPE 1, WATER MAIN QUALITY PIPE	6	5	1.00%	1
P1-154	S1-154	713.63	S1-152	713.40	STORM SEWERS, CLASS A, TYPE 1	12	46	0.50%	6
P1-155	S1-155	713.90	S1-156	713.05	STORM SEWERS, TYPE 1, WATER MAIN QUALITY PIPE	12	85	1.00%	11
P1-155A	S1-155A	714.51	S1-155	714.46	STORM SEWERS, TYPE 1, WATER MAIN QUALITY PIPE	6	5	1.00%	1
P1-155B	S1-155B	714.51	S1-155	714.46	STORM SEWERS, TYPE 1, WATER MAIN QUALITY PIPE	6	5	1.00%	1

**NOTES:**

- PIPE LENGTHS SHOWN IN STORM SEWER PIPE SCHEDULE ARE FROM CENTER OF STRUCTURE TO CENTER OF STRUCTURE.
- FIELD VERIFY EXISTING STRUCTURE CONDITIONS, LOCATIONS, PIPE SIZES, AND ELEVATIONS PRIOR TO ORDERING PROPOSED STRUCTURES.
- SPECIAL FRAME & GRATE TYPES SHALL BE AS SHOWN IN THE STORM SEWER STRUCTURE SCHEDULE OR APPROVED EQUIVALENTS.
- SEE PLAN SHEETS FOR PIPE UNDERDRAIN INVERTS. PIPE UNDERDRAIN INVERTS ARE NOT SHOWN IN THE SCHEDULES.
- INLET ELEVATION LOCATION:  
 INLETS, TY G-1 - SEE DETAIL  
 NEENAH R-3429-A - CENTER OF STRUCTURE  
 NEENAH R-3471 - MIDPOINT OF INLET ALONG THE EDGE OF PAVEMENT  
 NEENAH R-4342 - CENTER OF STRUCTURE  
 TY 3 - MIDPOINT OF INLET ALONG THE EDGE OF PAVEMENT  
 TY 11 - MIDPOINT OF INLET ALONG THE EDGE OF PAVEMENT

© Copyright Hanson Professional Services Inc. 2016  
**HANSON**  
 Hanson Professional Services Inc.

LAYOUT	BAB	11/24/15
DRAWN	RLA	2/4/16
REVIEWED	MPB	3/22/16

FILE NAME = Z:\Plans\Sheets\Project1\p1-sht-GRNE-Drain04-schedule.dgn  
 PLOT DATE = 8/25/2016 1:32:46 PM

DESIGNED -	BAB	REVISED -	
DRAWN -	RLA	REVISED -	
CHECKED -	MPB	REVISED -	
DATE -	8/26/2016	REVISED -	

STATE OF ILLINOIS  
 DEPARTMENT OF TRANSPORTATION

PROJECT 1 - GREEN STREET  
 DRAINAGE STRUCTURE & PIPE SCHEDULES

SCALE: N/A SHEET NO. OF SHEETS STA. TO STA.

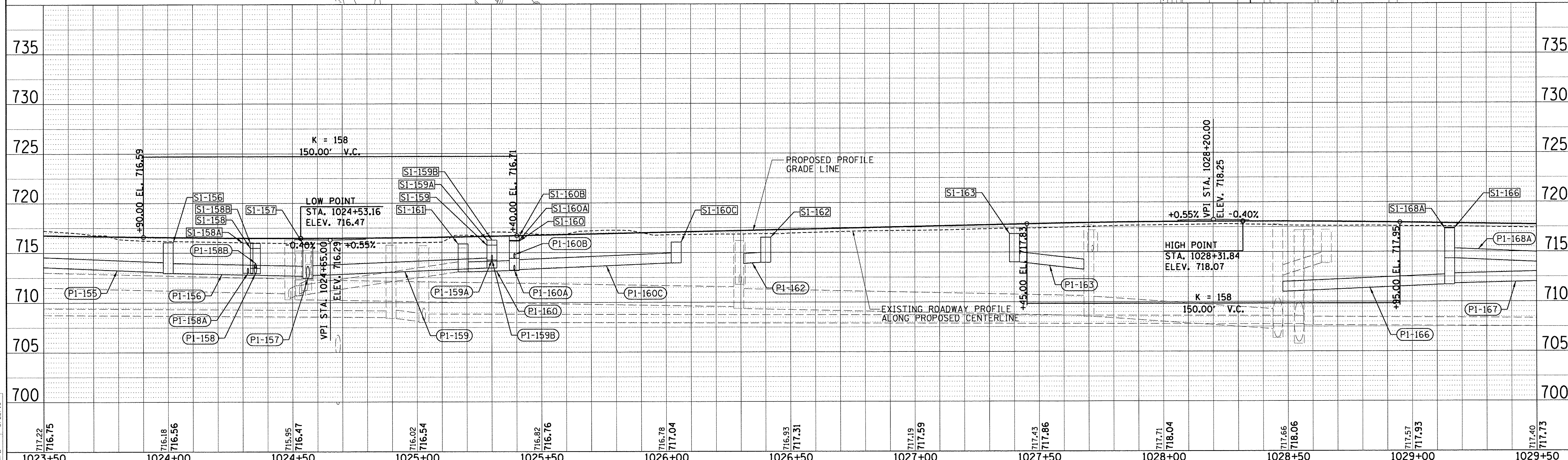
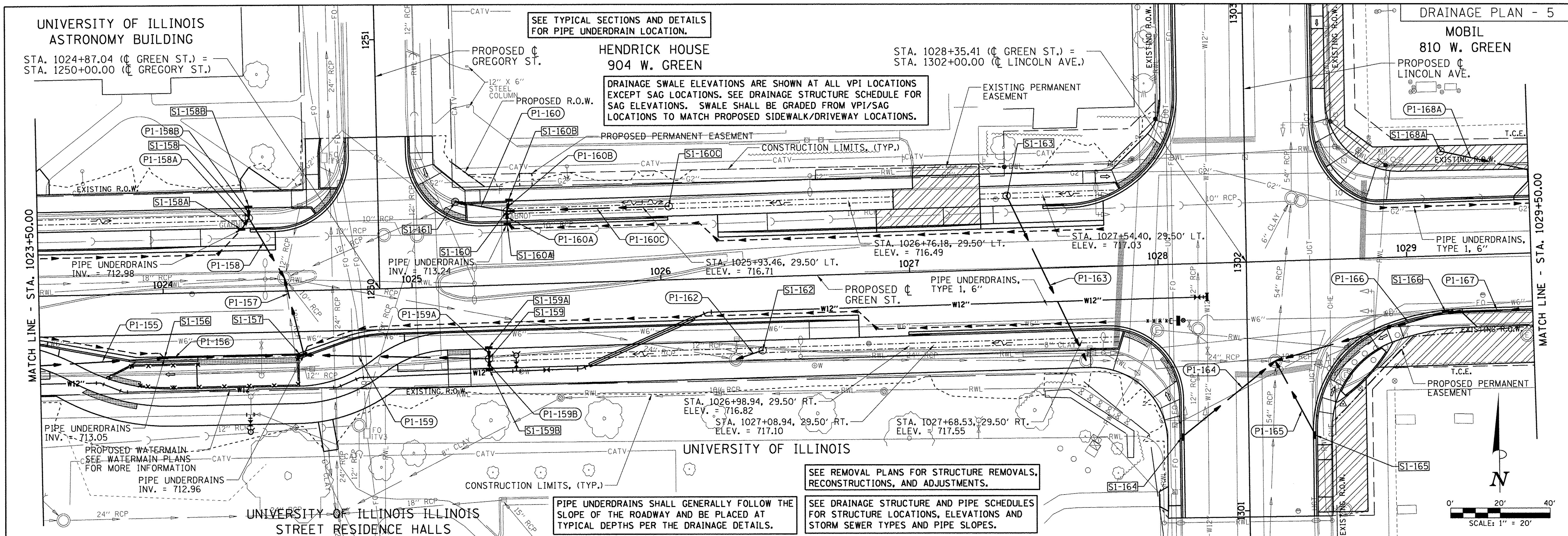
F.A.U. RTE.	SECTION	COUNTY	TOTAL SHEETS	SHEET NO.
7126	15-00304-01-PV	CHAMPAIGN	236	53
MCORE PROJECT 1			CONTRACT NO. 91539	
JOB NO. C-95-305-16 ILLINOIS FED. AID PROJECT TIG-5181057				

DATE	
BY	
PLAN	SURVEYED
	PLOTTED
	NOTE BOOK
	ALIGNED
	CHECKED
	NO.
	CADD FILE NAME
	NO.

© Copyright Hanson Professional Services Inc. 2016  
**HANSON**  
 Hanson Professional Services Inc.

DATE	
BY	
PROFILE	SURVEYED
	PLOTTED
	NOTE BOOK
	GRADES
	CHECKED
	NO.
	STRUCTURE
	NOTATIONS
	CHKD

LAYOUT	BAB	11/24/15
DRAWN	RLA	2/4/16
REVIEWED	MPB	3/22/16



FILE NAME = Z:\Plans\Sheets\Project1\P1-sht-GRNE-Drain05.dgn	DESIGNED - BAB	REVISED -	STATE OF ILLINOIS DEPARTMENT OF TRANSPORTATION	PROJECT 1 - GREEN STREET DRAINAGE PLAN		F.A.U. RTE.	SECTION	COUNTY	TOTAL SHEETS	SHEET NO.
PLOT DATE = 8/25/2016 1:34:07 PM	DRAWN - RLA	REVISED -		SCALE: 1"=20'	SHEET NO.	OF SHEETS	15-00304-01-PV	CHAMPAIGN	236	54
	CHECKED - MPB	REVISED -		STA. 1023+50.00 TO STA. 1029+50.00			MCORE PROJECT 1		CONTRACT NO. 91539	
	DATE - 8/26/2016	REVISED -						JOB NO. C-95-305-16		ILLINOIS FED. AID PROJECT TIG-5181057

DRAINAGE STRUCTURE AND PIPE SCHEDULES - GREEN ST. DRAINAGE PLAN SHEET - 5

**STORM SEWER STRUCTURE SCHEDULE**

STRUCTURE NUMBER	STATION	OFFSET	RT	STRUCTURE TYPE	SPECIAL FRAME & GRATE TYPE	RIM ELEVATION	INVERT ELEVATIONS			
							N	S	E	W
S1-156	1024+00.00	26.00	RT	INLETS, TYPE B, TYPE 3 FRAME AND GRATE		716.05				
S1-157	1024+56.00	25.95	RT	MANHOLES, TYPE A, 4' DIAMETER, TYPE 3 FRAME AND GRATE		715.85	712.42	712.95	712.72	712.67
S1-158	1024+35.00	29.50	LT	INLETS, TYPE B, WITH SPECIAL FRAME AND GRATE	NEENAH R-4342	715.47	713.42	712.93	712.85	
S1-158A	1024+32.00	25.00	LT	INLETS, TYPE A, WITH SPECIAL FRAME AND GRATE	NEENAH R-3429-A	716.00	712.98			
S1-158B	1024+35.00	34.00	LT	INLETS, TYPE A, WITH SPECIAL FRAME AND GRATE	NEENAH R-3429-A	715.97		713.47		
S1-159	1025+30.00	29.50	RT	INLETS, TYPE B, WITH SPECIAL FRAME AND GRATE	NEENAH R-4342	715.76	714.22	714.22		713.46
S1-159A	1025+30.00	25.00	RT	INLETS, TYPE A, WITH SPECIAL FRAME AND GRATE	NEENAH R-3429-A	716.27		714.27		
S1-159B	1025+30.00	34.00	RT	INLETS, TYPE A, WITH SPECIAL FRAME AND GRATE	NEENAH R-3429-A	716.27	714.27			
S1-160	1025+39.00	29.50	LT	INLETS, TYPE B, WITH SPECIAL FRAME AND GRATE	NEENAH R-4342	716.17	714.38	713.22	713.30	713.20
S1-160A	1025+39.00	24.75	LT	INLETS, TYPE B, TYPE 11 FRAME AND GRATE		716.24	713.24			
S1-160B	1025+40.00	34.00	LT	INLETS, TYPE A, WITH SPECIAL FRAME AND GRATE	NEENAH R-3429-A	716.68		714.43		
S1-160C	1026+04.00	29.50	LT	INLETS, TYPE A, WITH SPECIAL FRAME AND GRATE	NEENAH R-4342	716.05				713.95
S1-161	1025+18.40	33.92	LT	INLETS, TYPE B, TYPE 1 FRAME, CLOSED LID		715.88			713.08	EX 713.08
S1-162	1026+40.00	29.50	RT	INLETS, TYPE A, WITH SPECIAL FRAME AND GRATE	NEENAH R-4342	716.53				714.00
S1-163	1027+40.00	28.75	LT	INLETS, TYPE A, WITH SPECIAL FRAME AND GRATE	NEENAH R-4342	716.85		714.00		
S1-164	1301+30.00	26.83	LT	INLETS, TYPE B, TYPE 11 FRAME AND GRATE		717.90			714.90	
S1-165	1301+30.00	26.83	RT	INLETS, TYPE B, TYPE 11 FRAME AND GRATE		717.85	714.85			
S1-166	1029+15.00	22.67	RT	INLETS, TYPE B, TYPE 11 FRAME AND GRATE		717.39			711.81	711.71
S1-168A	1029+15.00	42.00	LT	INLETS, TYPE A, TYPE 1 FRAME, OPEN LID		717.32			714.32	

**STORM SEWER PIPE SCHEDULE**

PIPE NUMBER	FROM STRUCTURE	U/S INVERT	TO STRUCTURE	D/S INVERT	CLASS / TYPE	DIAMETER	LENGTH	SLOPE	TRENCH BACKFILL
P1-156	S1-156	712.95	S1-157	712.67	STORM SEWERS, CLASS A, TYPE 1	12	56	0.50%	7
P1-157	S1-157	712.42	EXISTING	712.10	STORM SEWERS, CLASS A, TYPE 1	15	32	1.00%	5
P1-158	S1-158	712.85	EXISTING	712.43	STORM SEWERS, CLASS A, TYPE 1	12	28	1.50%	4
P1-158A	S1-158A	712.98	S1-158	712.93	STORM SEWERS, TYPE 1, WATER MAIN QUALITY PIPE	6	5	1.00%	1
P1-158B	S1-158B	713.47	S1-158	713.42	STORM SEWERS, TYPE 1, WATER MAIN QUALITY PIPE	6	5	1.00%	1
P1-159	S1-159	713.46	S1-157	712.72	STORM SEWERS, TYPE 1, WATER MAIN QUALITY PIPE	12	74	1.00%	10
P1-159A	S1-159A	714.27	S1-159	714.22	STORM SEWERS, TYPE 1, WATER MAIN QUALITY PIPE	6	5	1.00%	1
P1-159B	S1-159B	714.27	S1-159	714.22	STORM SEWERS, TYPE 1, WATER MAIN QUALITY PIPE	6	5	1.00%	1
P1-160	S1-160	713.20	S1-161	713.08	STORM SEWERS, CLASS A, TYPE 1	12	21	0.57%	3
P1-160A	S1-160A	713.24	S1-160	713.22	STORM SEWERS, TYPE 1, WATER MAIN QUALITY PIPE	6	5	0.40%	1
P1-160B	S1-160B	714.43	S1-160	714.38	STORM SEWERS, TYPE 1, WATER MAIN QUALITY PIPE	6	5	1.00%	1
P1-160C	S1-160C	713.95	S1-160	713.30	STORM SEWERS, CLASS A, TYPE 1	12	65	1.00%	9
P1-162	S1-162	714.00	EXISTING	713.89	STORM SEWERS, CLASS A, TYPE 1	12	11	1.00%	1
P1-163	S1-163	714.00	EXISTING	713.26	STORM SEWERS, TYPE 1, WATER MAIN QUALITY PIPE	12	74	1.00%	10
P1-164	S1-164	714.90	EXISTING	714.42	STORM SEWERS, TYPE 1, WATER MAIN QUALITY PIPE	12	48	1.00%	6
P1-165	S1-165	714.85	EXISTING	714.00	STORM SEWERS, CLASS A, TYPE 1	12	34	2.50%	4
P1-166	S1-166	711.71	EXISTING	711.00	STORM SEWERS, TYPE 2, WATER MAIN QUALITY PIPE	12	71	1.00%	47
P1-167	S1-167	712.23	S1-166	711.81	STORM SEWERS, TYPE 2, WATER MAIN QUALITY PIPE	12	70	0.60%	21
P1-168A	S1-168A	714.32	S1-168	713.50	STORM SEWERS, CLASS A, TYPE 1	12	82	1.00%	11

**NOTES:**

- PIPE LENGTHS SHOWN IN STORM SEWER PIPE SCHEDULE ARE FROM CENTER OF STRUCTURE TO CENTER OF STRUCTURE.
- FIELD VERIFY EXISTING STRUCTURE CONDITIONS, LOCATIONS, PIPE SIZES, AND ELEVATIONS PRIOR TO ORDERING PROPOSED STRUCTURES.
- SPECIAL FRAME & GRATE TYPES SHALL BE AS SHOWN IN THE STORM SEWER STRUCTURE SCHEDULE OR APPROVED EQUIVALENTS.
- SEE PLAN SHEETS FOR PIPE UNDERDRAIN INVERTS. PIPE UNDERDRAIN INVERTS ARE NOT SHOWN IN THE SCHEDULES.
- INLET ELEVATION LOCATION:  
 INLETS, TY G-1 - SEE DETAIL  
 NEENAH R-3429-A - CENTER OF STRUCTURE  
 NEENAH R-3471 - MIDPOINT OF INLET ALONG THE EDGE OF PAVEMENT  
 NEENAH R-4342 - CENTER OF STRUCTURE  
 TY 3 - MIDPOINT OF INLET ALONG THE EDGE OF PAVEMENT  
 TY 11 - MIDPOINT OF INLET ALONG THE EDGE OF PAVEMENT



LAYOUT	BAB	11/24/15
DRAWN	RLA	2/4/16
REVIEWED	MPB	3/22/16

FILE NAME = Z:\Plans\Sheets\Project1\P1-sht-GRNE-Drain05-schedule.dgn  
 PLOT DATE = 8/25/2016 1:34:12 PM

DESIGNED - BAB  
 DRAWN - RLA  
 CHECKED - MPB  
 DATE - 8/26/2016

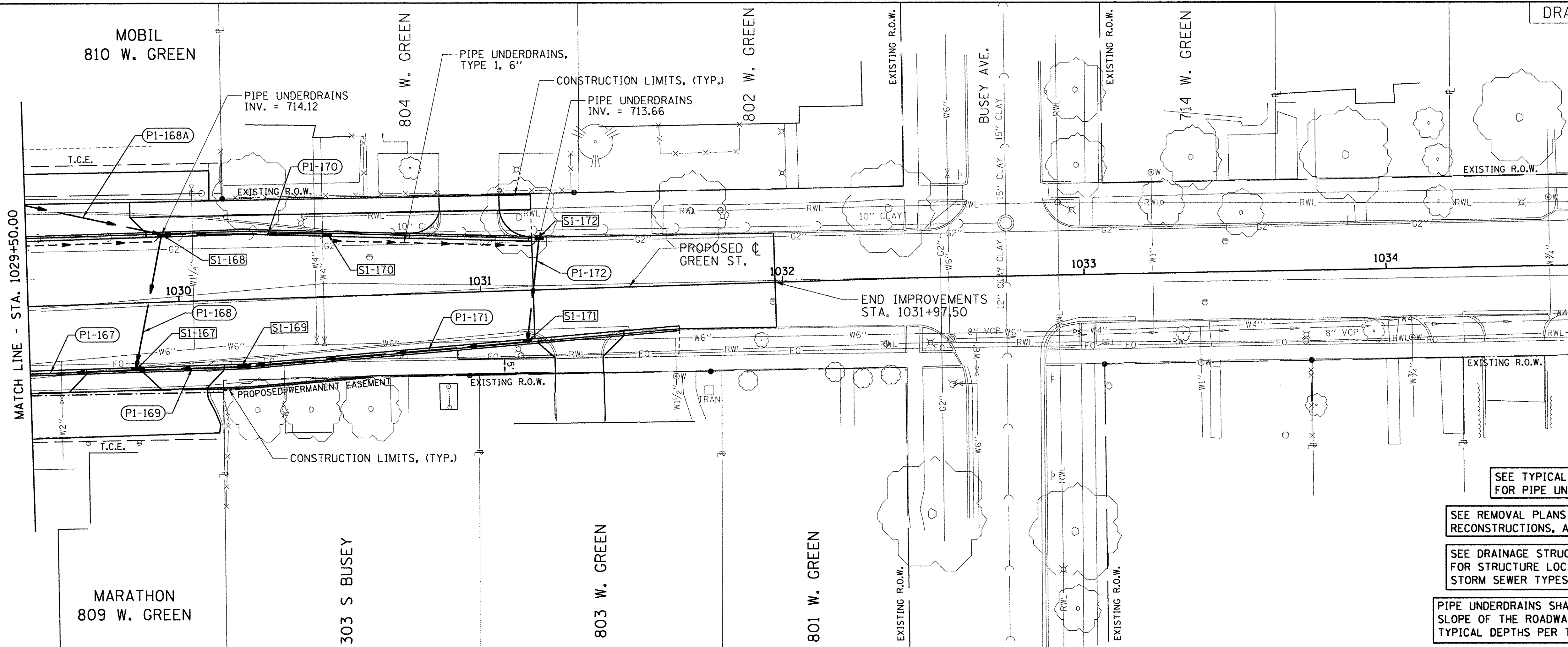
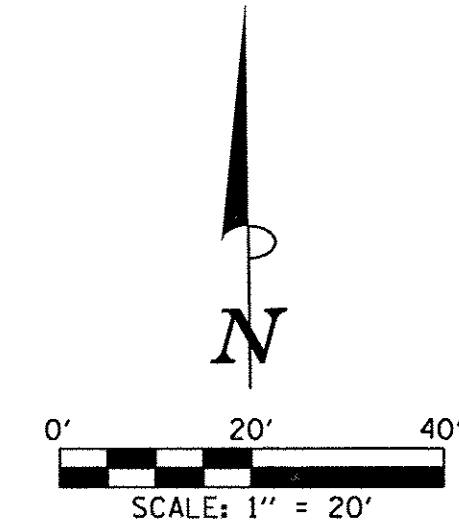
REVISED -  
 REVISED -  
 REVISED -  
 REVISED -

STATE OF ILLINOIS  
 DEPARTMENT OF TRANSPORTATION

PROJECT 1 - GREEN STREET  
 DRAINAGE STRUCTURE & PIPE SCHEDULES

SCALE: N/A SHEET NO. OF SHEETS STA. TO STA.

F.A.U. RTE.	SECTION	COUNTY	TOTAL SHEETS	SHEET NO.
7126	15-00304-01-PV	CHAMPAIGN	236	55
MCORE PROJECT 1			CONTRACT NO. 91539	
JOB NO. C-95-305-16 ILLINOIS FED. AID PROJECT TIC-5181057				

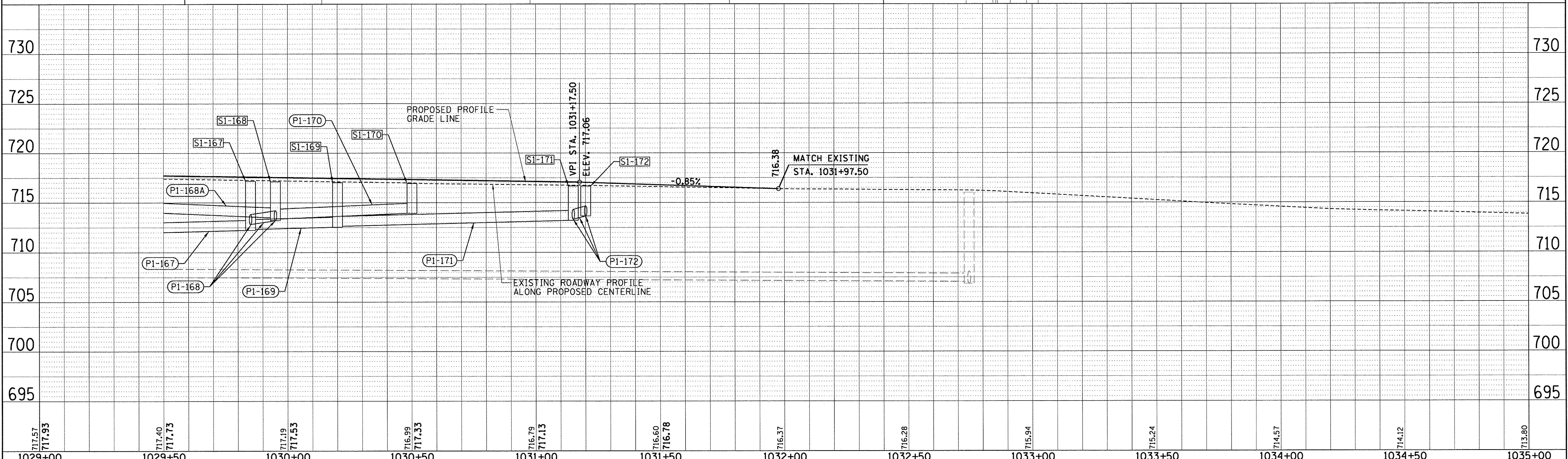


SEE TYPICAL SECTIONS AND DETAILS FOR PIPE UNDERDRAIN LOCATION.

SEE REMOVAL PLANS FOR STRUCTURE REMOVALS, RECONSTRUCTIONS, AND ADJUSTMENTS.

SEE DRAINAGE STRUCTURE AND PIPE SCHEDULES FOR STRUCTURE LOCATIONS, ELEVATIONS AND STORM SEWER TYPES AND PIPE SLOPES.

PIPE UNDERDRAINS SHALL GENERALLY FOLLOW THE SLOPE OF THE ROADWAY AND BE PLACED AT TYPICAL DEPTHS PER THE DRAINAGE DETAILS.



PLAN	SURVEYED	BY	DATE
	ALIGNED		
	CHECKED		
	NO.		

PROFILE	SURVEYED	BY	DATE
	GRADES		
	CHECKED		
	NO.		

LAYOUT	BAB	11/24/15
DRAWN	RLA	2/4/16
REVIEWED	MPB	3/22/16

© Copyright Hanson Professional Services Inc. 2016  
**HANSON**  
 Hanson Professional Services Inc.

FILE NAME = Z:\Plans\Sheets\Project1\P1-sht-GRNE-Drain06.dgn  
 PLOT DATE = 8/25/2016 1:35:25 PM

DESIGNED	-	BAB	REVISED	-
DRAWN	-	RLA	REVISED	-
CHECKED	-	MPB	REVISED	-
DATE	-	8/26/2016	REVISED	-

STATE OF ILLINOIS  
 DEPARTMENT OF TRANSPORTATION

PROJECT 1 - GREEN STREET  
 DRAINAGE PLAN

SCALE: 1"=20' SHEET NO. OF SHEETS STA. 1029+50.00 TO STA. 1033+55.00

F.A.U. RTE.	SECTION	COUNTY	TOTAL SHEETS	SHEET NO.
7126	15-00304-01-PV	CHAMPAIGN	236	56
MCORE PROJECT 1			CONTRACT NO. 91539	
JOB NO. C-95-305-16			ILLINOIS FED. AID PROJECT TIG-518(057)	



DRAINAGE STRUCTURE AND PIPE SCHEDULES - GREEN ST. DRAINAGE PLAN - 6

**STORM SEWER STRUCTURE SCHEDULE**

STRUCTURE NUMBER	STATION	OFFSET	STRUCTURE TYPE	SPECIAL FRAME & GRATE TYPE	RIM ELEVATION	INVERT ELEVATIONS			
						N	S	E	W
S1-167	1029+85.00	22.33	RT	MANHOLES, TYPE A, 4'-DIAMETER, TYPE 11 FRAME AND GRATE	717.16	712.82	712.33	712.23	
S1-168	1029+95.00	22.33	LT	MANHOLES, TYPE A, 4'-DIAMETER, TYPE 11 FRAME AND GRATE	717.12		713.28	713.38	713.50
S1-169	1030+20.00	22.33	RT	INLETS, TYPE B, TYPE 11 FRAME AND GRATE	717.02			712.64	712.54
S1-170	1030+50.00	20.77	LT	INLETS, TYPE B, TYPE 11 FRAME AND GRATE	716.93				713.93
S1-171	1031+15.00	17.10	RT	INLETS, TYPE B, TYPE 11 FRAME AND GRATE	716.67	713.31			713.21
S1-172	1031+20.00	17.19	LT	INLETS, TYPE B, TYPE 11 FRAME AND GRATE	716.66		713.66		

**STORM SEWER PIPE SCHEDULE**

PIPE NUMBER	FROM STRUCTURE	U/S INVERT	TO STRUCTURE	D/S INVERT	CLASS / TYPE	DIAMETER	LENGTH	SLOPE	TRENCH
									BACKFILL
P1-167	S1-167	712.23	S1-166	711.81	STORM SEWERS, TYPE 2, WATER MAIN QUALITY PIPE	12	70	0.60%	21
P1-168	S1-168	713.28	S1-167	712.82	STORM SEWERS, TYPE 2, WATER MAIN QUALITY PIPE	12	46	1.00%	8
P1-168A	S1-168A	714.32	S1-168	713.50	STORM SEWERS, CLASS A, TYPE 1	12	82	1.00%	11
P1-169	S1-169	712.54	S1-167	712.33	STORM SEWERS, TYPE 2, WATER MAIN QUALITY PIPE	12	35	0.60%	8
P1-170	S1-170	713.93	S1-168	713.38	STORM SEWERS, CLASS A, TYPE 1	12	55	1.00%	7
P1-171	S1-171	713.21	S1-169	712.64	STORM SEWERS, TYPE 1, WATER MAIN QUALITY PIPE	12	95	0.60%	14
P1-172	S1-172	713.66	S1-171	713.31	STORM SEWERS, TYPE 1, WATER MAIN QUALITY PIPE	12	35	1.00%	5

**NOTES:**

- PIPE LENGTHS SHOWN IN STORM SEWER PIPE SCHEDULE ARE FROM CENTER OF STRUCTURE TO CENTER OF STRUCTURE.
- FIELD VERIFY EXISTING STRUCTURE CONDITIONS, LOCATIONS, PIPE SIZES, AND ELEVATIONS PRIOR TO ORDERING PROPOSED STRUCTURES.
- SPECIAL FRAME & GRATE TYPES SHALL BE AS SHOWN IN THE STORM SEWER STRUCTURE SCHEDULE OR APPROVED EQUIVALENTS.
- SEE PLAN SHEETS FOR PIPE UNDERDRAIN INVERTS. PIPE UNDERDRAIN INVERTS ARE NOT SHOWN IN THE SCHEDULES.
- INLET ELEVATION LOCATION:  
 INLETS, TY G-1 - SEE DETAIL  
 NEENAH R-3429-A - CENTER OF STRUCTURE  
 NEENAH R-3471 - MIDPOINT OF INLET ALONG THE EDGE OF PAVEMENT  
 NEENAH R-4342 - CENTER OF STRUCTURE  
 TY 3 - MIDPOINT OF INLET ALONG THE EDGE OF PAVEMENT  
 TY 11 - MIDPOINT OF INLET ALONG THE EDGE OF PAVEMENT

© Copyright Hanson Professional Services Inc. 2016  
**HANSON**  
 Hanson Professional Services Inc.

LAYOUT	BAB	11/24/15
DRAWN	RLA	2/4/16
REVIEWED	MPB	3/22/16

FILE NAME = Z:\Plans\sheets\Project1\p1-sht-GRNE-Drain06-schedule.dgn  
 PLOT DATE = 8/25/2016 1:35:29 PM

DESIGNED -	BAB	REVISED -	
DRAWN -	RLA	REVISED -	
CHECKED -	MPB	REVISED -	
DATE -	8/26/2016	REVISED -	

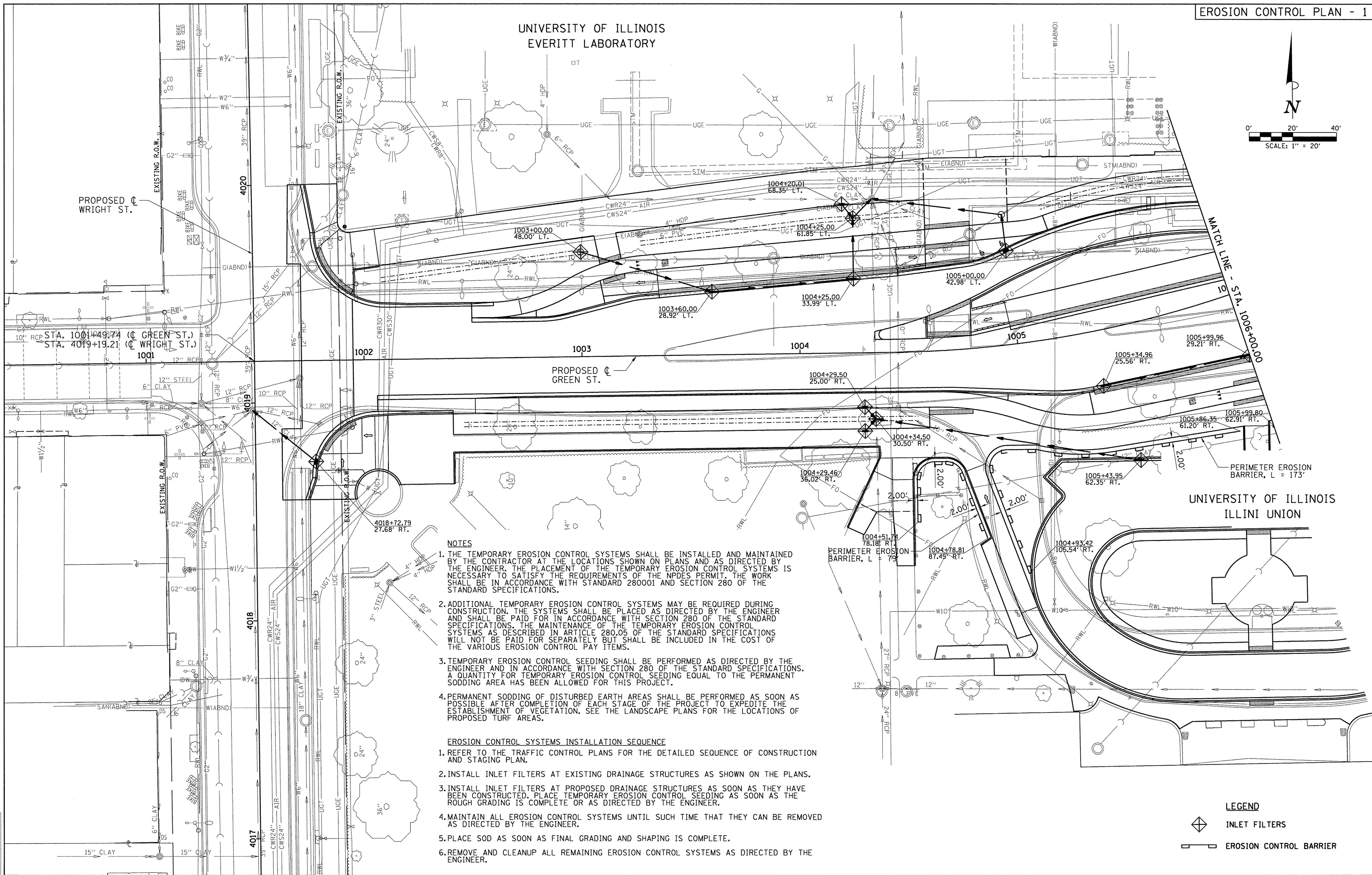
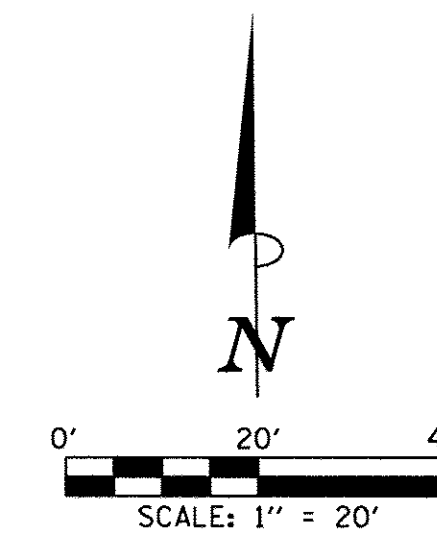
STATE OF ILLINOIS  
 DEPARTMENT OF TRANSPORTATION

PROJECT 1 - GREEN STREET  
 DRAINAGE STRUCTURE & PIPE SCHEDULES

SCALE: N/A SHEET NO. OF SHEETS STA. TO STA.

F.A.U. RTE.	SECTION	COUNTY	TOTAL SHEETS	SHEET NO.
7126	15-00304-01-PV	CHAMPAIGN	236	57
MCORE PROJECT 1		CONTRACT NO. 91539		
JOB NO. C-95-305-16 ILLINOIS FED. AID PROJECT TIG-5181057				

UNIVERSITY OF ILLINOIS  
EVERITT LABORATORY




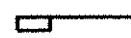
**NOTES**

1. THE TEMPORARY EROSION CONTROL SYSTEMS SHALL BE INSTALLED AND MAINTAINED BY THE CONTRACTOR AT THE LOCATIONS SHOWN ON PLANS AND AS DIRECTED BY THE ENGINEER. THE PLACEMENT OF THE TEMPORARY EROSION CONTROL SYSTEMS IS NECESSARY TO SATISFY THE REQUIREMENTS OF THE NPDES PERMIT. THE WORK SHALL BE IN ACCORDANCE WITH STANDARD 280001 AND SECTION 280 OF THE STANDARD SPECIFICATIONS.
2. ADDITIONAL TEMPORARY EROSION CONTROL SYSTEMS MAY BE REQUIRED DURING CONSTRUCTION. THE SYSTEMS SHALL BE PLACED AS DIRECTED BY THE ENGINEER AND SHALL BE PAID FOR IN ACCORDANCE WITH SECTION 280 OF THE STANDARD SPECIFICATIONS. THE MAINTENANCE OF THE TEMPORARY EROSION CONTROL SYSTEMS AS DESCRIBED IN ARTICLE 280.05 OF THE STANDARD SPECIFICATIONS WILL NOT BE PAID FOR SEPARATELY BUT SHALL BE INCLUDED IN THE COST OF THE VARIOUS EROSION CONTROL PAY ITEMS.
3. TEMPORARY EROSION CONTROL SEEDING SHALL BE PERFORMED AS DIRECTED BY THE ENGINEER AND IN ACCORDANCE WITH SECTION 280 OF THE STANDARD SPECIFICATIONS. A QUANTITY FOR TEMPORARY EROSION CONTROL SEEDING EQUAL TO THE PERMANENT SODDING AREA HAS BEEN ALLOWED FOR THIS PROJECT.
4. PERMANENT SODDING OF DISTURBED EARTH AREAS SHALL BE PERFORMED AS SOON AS POSSIBLE AFTER COMPLETION OF EACH STAGE OF THE PROJECT TO EXPEDITE THE ESTABLISHMENT OF VEGETATION. SEE THE LANDSCAPE PLANS FOR THE LOCATIONS OF PROPOSED TURF AREAS.

**EROSION CONTROL SYSTEMS INSTALLATION SEQUENCE**

1. REFER TO THE TRAFFIC CONTROL PLANS FOR THE DETAILED SEQUENCE OF CONSTRUCTION AND STAGING PLAN.
2. INSTALL INLET FILTERS AT EXISTING DRAINAGE STRUCTURES AS SHOWN ON THE PLANS.
3. INSTALL INLET FILTERS AT PROPOSED DRAINAGE STRUCTURES AS SOON AS THEY HAVE BEEN CONSTRUCTED. PLACE TEMPORARY EROSION CONTROL SEEDING AS SOON AS THE ROUGH GRADING IS COMPLETE OR AS DIRECTED BY THE ENGINEER.
4. MAINTAIN ALL EROSION CONTROL SYSTEMS UNTIL SUCH TIME THAT THEY CAN BE REMOVED AS DIRECTED BY THE ENGINEER.
5. PLACE SOD AS SOON AS FINAL GRADING AND SHAPING IS COMPLETE.
6. REMOVE AND CLEANUP ALL REMAINING EROSION CONTROL SYSTEMS AS DIRECTED BY THE ENGINEER.

**LEGEND**

-  INLET FILTERS
-  EROSION CONTROL BARRIER

© Copyright Hanson Professional Services Inc. 2016  
**HANSON**  
Hanson Professional Services Inc.

LAYOUT	BAB	11/24/15
DRAWN	RLA	2/4/16
REVIEWED	MPB	3/22/16

FILE NAME =  
Z:\Plans\sheets\Project1\1-sht-eros01.dgn

PLOT DATE =  
8/25/2016 1:36:35 PM

DESIGNED	-	BAB	REVISED	-
DRAWN	-	RLA	REVISED	-
CHECKED	-	MPB	REVISED	-
DATE	-	8/26/2016	REVISED	-

STATE OF ILLINOIS  
DEPARTMENT OF TRANSPORTATION

**PROJECT 1 - GREEN STREET  
EROSION CONTROL PLANS**

SCALE: 1"=20' SHEET NO. OF SHEETS STA. 1001+71.29 TO STA. 1006+00.00

F.A.U. RTE.	SECTION	COUNTY	TOTAL SHEETS	SHEET NO.
7126	15-00304-01-PV	CHAMPAIGN	236	58
MCORE PROJECT 1		CONTRACT NO. 91539		
JOB NO. C-95-305-16		ILLINOIS FED. AID PROJECT TIG-51810571		

UNIVERSITY OF ILLINOIS MATERIALS SCIENCE AND ENGINEERING

UNIVERSITY OF ILLINOIS ENGINEERING HALL

STA. 1010+73.87 (C GREEN ST.) = STA. 1101+50.00 (C MATHEWS AVE.)

MATCH LINE - STA. 1006+00.00

MATCH LINE - STA. 1011+50.00



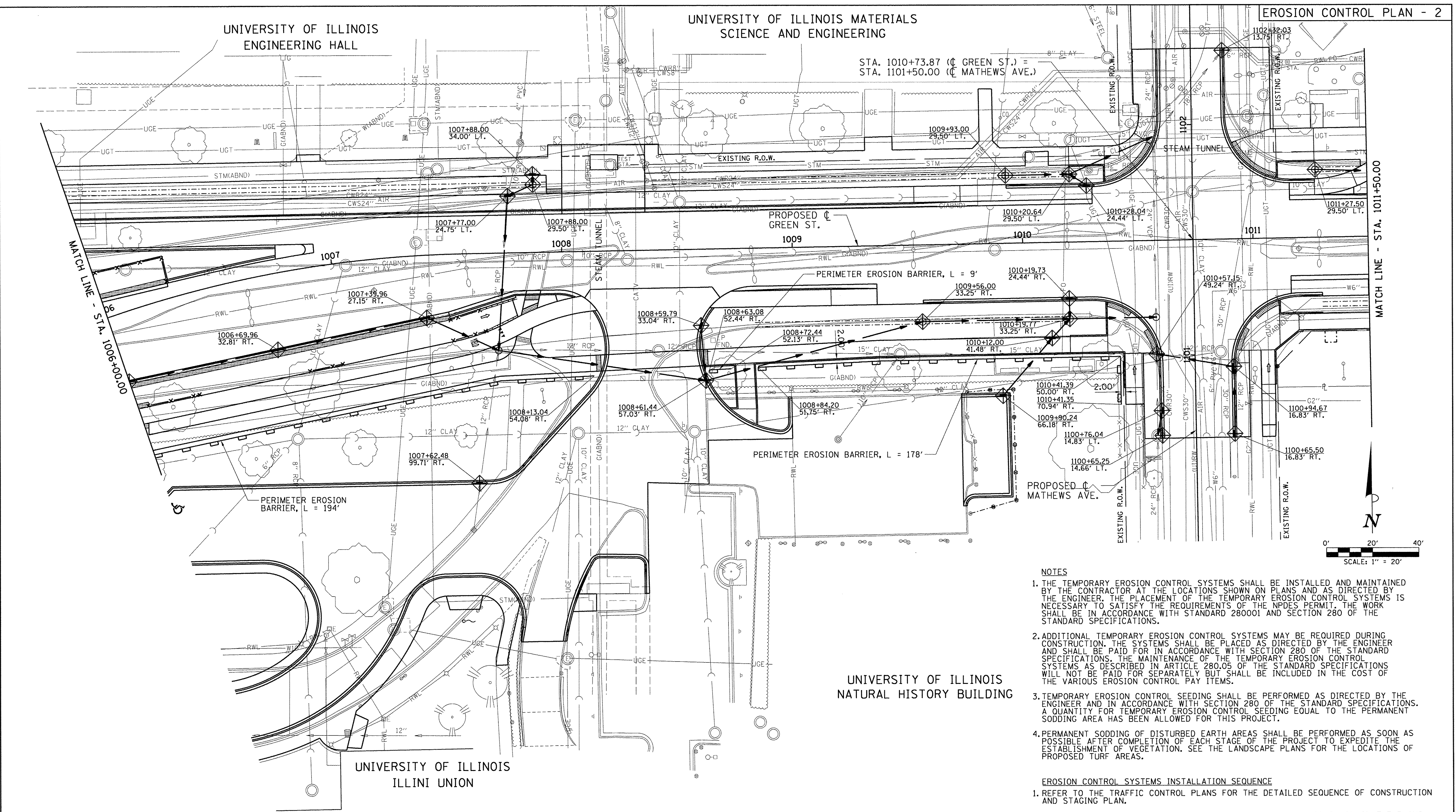
LAYOUT	BAB	11/24/15
DRAWN	RLA	2/4/16
REVIEWED	MPB	3/22/16

FILE NAME =	Z:\Plans\Sheets\Project1\P1-sht-eros02.dgn
PLOT DATE =	8/25/2016 1:36:41 PM

DESIGNED -	BAB	REVISED -	
DRAWN -	RLA	REVISED -	
CHECKED -	MPB	REVISED -	
DATE -	8/26/2016	REVISED -	

STATE OF ILLINOIS DEPARTMENT OF TRANSPORTATION

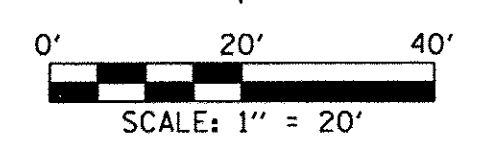
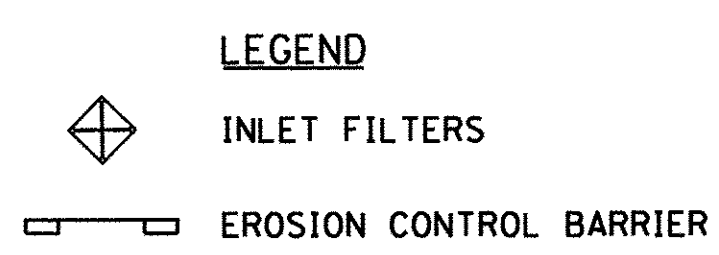
PROJECT 1 - GREEN STREET		F.A.U. RTE.	SECTION	COUNTY	TOTAL SHEETS	SHEET NO.
EROSION CONTROL PLANS		7126	15-00304-01-PV	CHAMPAIGN	236	59
SCALE: 1"=20'		SHEET NO. OF SHEETS		STA. 1006+00.00 TO STA. 1011+50.00		
		MCORE PROJECT 1		CONTRACT NO. 91539		
		JOB NO. C-95-305-16		ILLINOIS FED. AID PROJECT TIG-5181057		

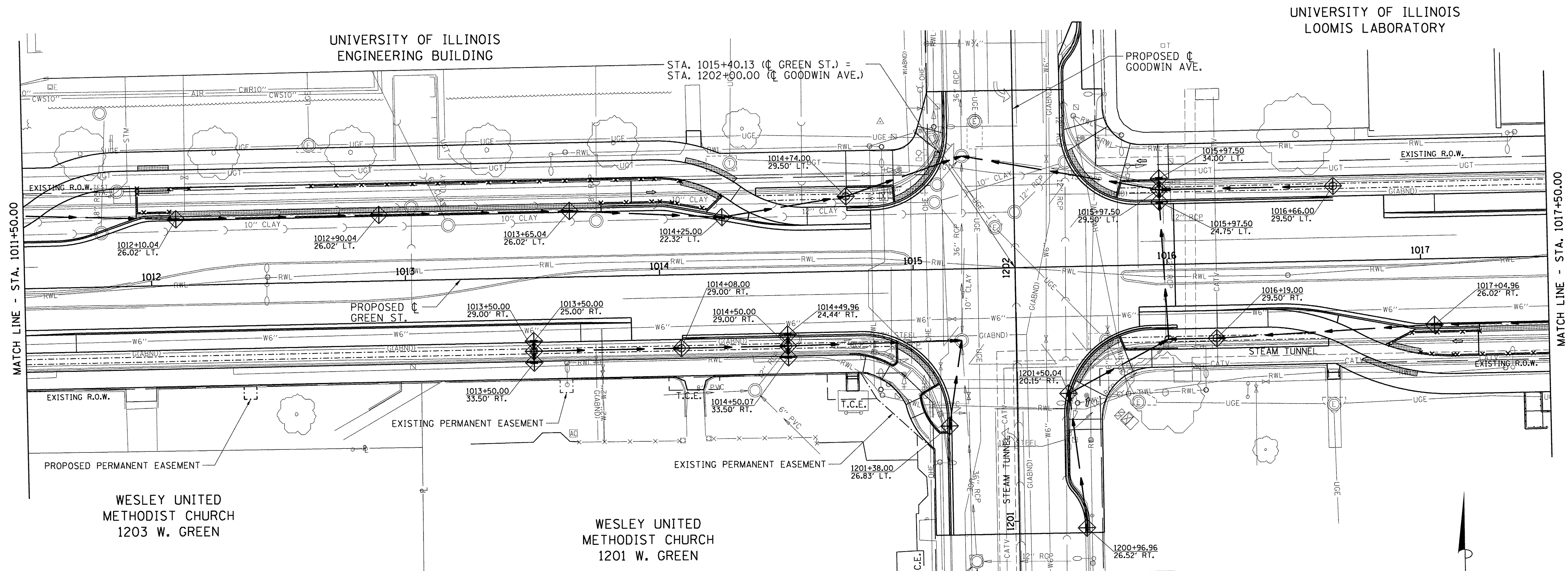


UNIVERSITY OF ILLINOIS NATURAL HISTORY BUILDING

- NOTES**
1. THE TEMPORARY EROSION CONTROL SYSTEMS SHALL BE INSTALLED AND MAINTAINED BY THE CONTRACTOR AT THE LOCATIONS SHOWN ON PLANS AND AS DIRECTED BY THE ENGINEER. THE PLACEMENT OF THE TEMPORARY EROSION CONTROL SYSTEMS IS NECESSARY TO SATISFY THE REQUIREMENTS OF THE NPDES PERMIT. THE WORK SHALL BE IN ACCORDANCE WITH STANDARD 280001 AND SECTION 280 OF THE STANDARD SPECIFICATIONS.
  2. ADDITIONAL TEMPORARY EROSION CONTROL SYSTEMS MAY BE REQUIRED DURING CONSTRUCTION. THE SYSTEMS SHALL BE PLACED AS DIRECTED BY THE ENGINEER AND SHALL BE PAID FOR IN ACCORDANCE WITH SECTION 280 OF THE STANDARD SPECIFICATIONS. THE MAINTENANCE OF THE TEMPORARY EROSION CONTROL SYSTEMS AS DESCRIBED IN ARTICLE 280.05 OF THE STANDARD SPECIFICATIONS WILL NOT BE PAID FOR SEPARATELY BUT SHALL BE INCLUDED IN THE COST OF THE VARIOUS EROSION CONTROL PAY ITEMS.
  3. TEMPORARY EROSION CONTROL SEEDING SHALL BE PERFORMED AS DIRECTED BY THE ENGINEER AND IN ACCORDANCE WITH SECTION 280 OF THE STANDARD SPECIFICATIONS. A QUANTITY FOR TEMPORARY EROSION CONTROL SEEDING EQUAL TO THE PERMANENT SODDING AREA HAS BEEN ALLOWED FOR THIS PROJECT.
  4. PERMANENT SODDING OF DISTURBED EARTH AREAS SHALL BE PERFORMED AS SOON AS POSSIBLE AFTER COMPLETION OF EACH STAGE OF THE PROJECT TO EXPEDITE THE ESTABLISHMENT OF VEGETATION. SEE THE LANDSCAPE PLANS FOR THE LOCATIONS OF PROPOSED TURF AREAS.

- EROSION CONTROL SYSTEMS INSTALLATION SEQUENCE**
1. REFER TO THE TRAFFIC CONTROL PLANS FOR THE DETAILED SEQUENCE OF CONSTRUCTION AND STAGING PLAN.
  2. INSTALL INLET FILTERS AT EXISTING DRAINAGE STRUCTURES AS SHOWN ON THE PLANS.
  3. INSTALL INLET FILTERS AT PROPOSED DRAINAGE STRUCTURES AS SOON AS THEY HAVE BEEN CONSTRUCTED. PLACE TEMPORARY EROSION CONTROL SEEDING AS SOON AS THE ROUGH GRADING IS COMPLETE OR AS DIRECTED BY THE ENGINEER.
  4. MAINTAIN ALL EROSION CONTROL SYSTEMS UNTIL SUCH TIME THAT THEY CAN BE REMOVED AS DIRECTED BY THE ENGINEER.
  5. PLACE SOD AS SOON AS FINAL GRADING AND SHAPING IS COMPLETE.
  6. REMOVE AND CLEANUP ALL REMAINING EROSION CONTROL SYSTEMS AS DIRECTED BY THE ENGINEER.

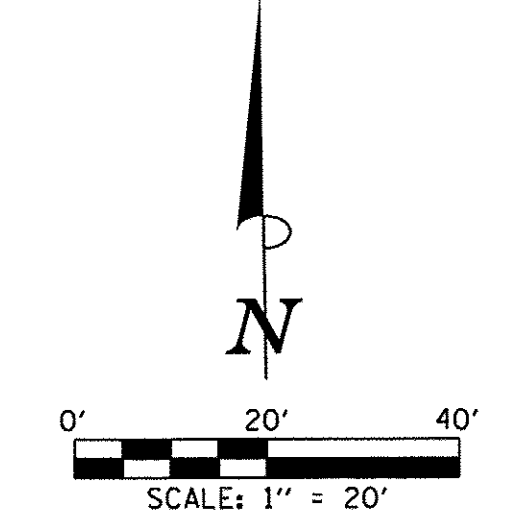




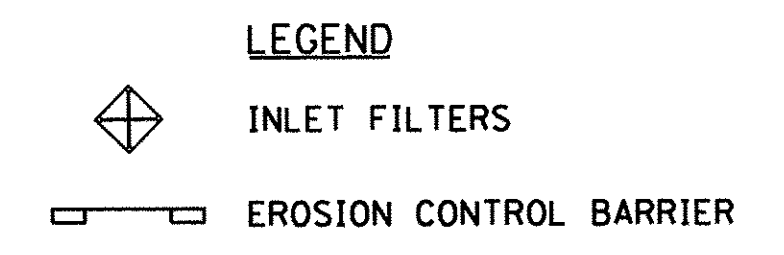
© Copyright Hanson Professional Services Inc. 2016  
**HANSON**  
 Hanson Professional Services Inc.

- NOTES**
1. THE TEMPORARY EROSION CONTROL SYSTEMS SHALL BE INSTALLED AND MAINTAINED BY THE CONTRACTOR AT THE LOCATIONS SHOWN ON PLANS AND AS DIRECTED BY THE ENGINEER. THE PLACEMENT OF THE TEMPORARY EROSION CONTROL SYSTEMS IS NECESSARY TO SATISFY THE REQUIREMENTS OF THE NPDES PERMIT. THE WORK SHALL BE IN ACCORDANCE WITH STANDARD 280001 AND SECTION 280 OF THE STANDARD SPECIFICATIONS.
  2. ADDITIONAL TEMPORARY EROSION CONTROL SYSTEMS MAY BE REQUIRED DURING CONSTRUCTION. THE SYSTEMS SHALL BE PLACED AS DIRECTED BY THE ENGINEER AND SHALL BE PAID FOR IN ACCORDANCE WITH SECTION 280 OF THE STANDARD SPECIFICATIONS. THE MAINTENANCE OF THE TEMPORARY EROSION CONTROL SYSTEMS AS DESCRIBED IN ARTICLE 280.05 OF THE STANDARD SPECIFICATIONS WILL NOT BE PAID FOR SEPARATELY BUT SHALL BE INCLUDED IN THE COST OF THE VARIOUS EROSION CONTROL PAY ITEMS.
  3. TEMPORARY EROSION CONTROL SEEDING SHALL BE PERFORMED AS DIRECTED BY THE ENGINEER AND IN ACCORDANCE WITH SECTION 280 OF THE STANDARD SPECIFICATIONS. A QUANTITY FOR TEMPORARY EROSION CONTROL SEEDING EQUAL TO THE PERMANENT SODDING AREA HAS BEEN ALLOWED FOR THIS PROJECT.
  4. PERMANENT SODDING OF DISTURBED EARTH AREAS SHALL BE PERFORMED AS SOON AS POSSIBLE AFTER COMPLETION OF EACH STAGE OF THE PROJECT TO EXPEDITE THE ESTABLISHMENT OF VEGETATION. SEE THE LANDSCAPE PLANS FOR THE LOCATIONS OF PROPOSED TURF AREAS.

- EROSION CONTROL SYSTEMS INSTALLATION SEQUENCE**
1. REFER TO THE TRAFFIC CONTROL PLANS FOR THE DETAILED SEQUENCE OF CONSTRUCTION AND STAGING PLAN.
  2. INSTALL INLET FILTERS AT EXISTING DRAINAGE STRUCTURES AS SHOWN ON THE PLANS.
  3. INSTALL INLET FILTERS AT PROPOSED DRAINAGE STRUCTURES AS SOON AS THEY HAVE BEEN CONSTRUCTED. PLACE TEMPORARY EROSION CONTROL SEEDING AS SOON AS THE ROUGH GRADING IS COMPLETE OR AS DIRECTED BY THE ENGINEER.
  4. MAINTAIN ALL EROSION CONTROL SYSTEMS UNTIL SUCH TIME THAT THEY CAN BE REMOVED AS DIRECTED BY THE ENGINEER.
  5. PLACE SOD AS SOON AS FINAL GRADING AND SHAPING IS COMPLETE.
  6. REMOVE AND CLEANUP ALL REMAINING EROSION CONTROL SYSTEMS AS DIRECTED BY THE ENGINEER.



UNIVERSITY OF ILLINOIS  
GOODWIN-GREEN APARTMENTS



LAYOUT	BAB	11/24/15
DRAWN	RLA	2/4/16
REVIEWED	MPB	3/22/16

FILE NAME =	Z:\Plans\Sheets\Project1\P1-sht-eros03.dgn
PLOT DATE =	8/25/2016 1:36:45 PM

DESIGNED -	BAB	REVISED -	
DRAWN -	RLA	REVISED -	
CHECKED -	MPB	REVISED -	
DATE -	8/26/2016	REVISED -	

STATE OF ILLINOIS  
DEPARTMENT OF TRANSPORTATION

<b>PROJECT 1 - GREEN STREET EROSION CONTROL PLANS</b>	
SCALE: 1"=20'	SHEET NO. OF SHEETS
STA. 1011+50.00 TO STA. 1017+50.00	

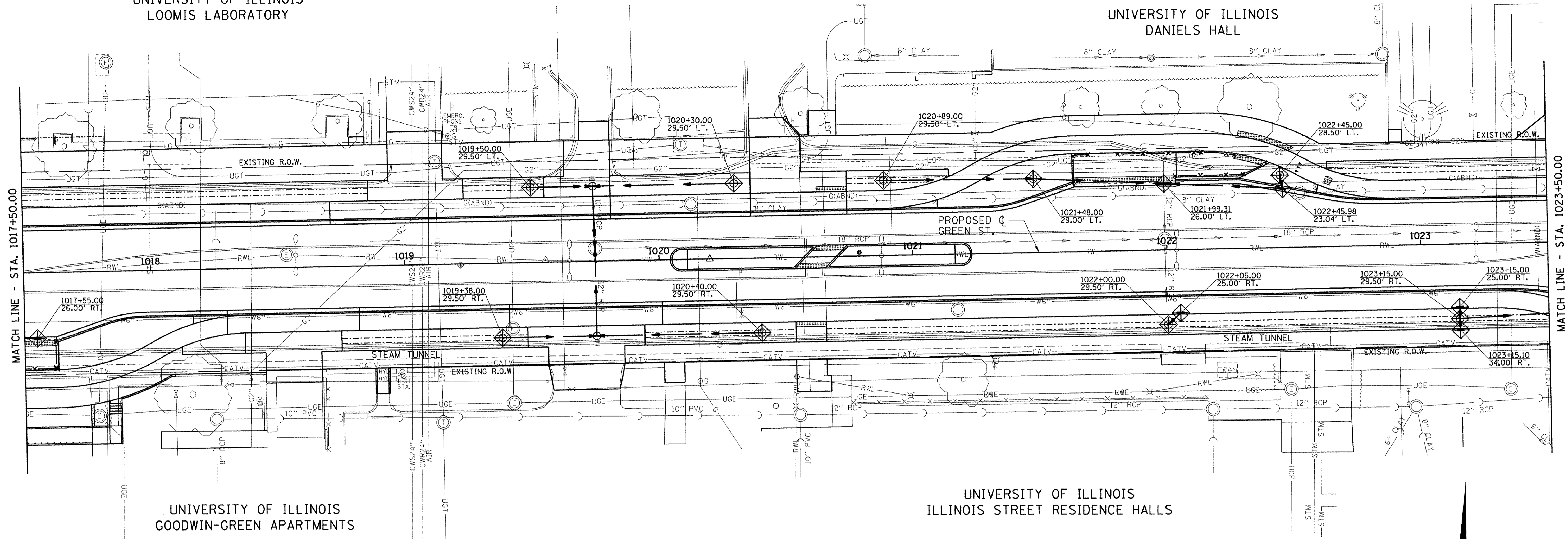
F.A.U. RTE.	SECTION	COUNTY	TOTAL SHEETS	SHEET NO.
7126	15-00304-01-PV	CHAMPAIGN	236	60
MCORE PROJECT 1		CONTRACT NO. 91539		
JOB NO. C-95-305-16 ILLINOIS FED. AID PROJECT TIC-5181(057)				

UNIVERSITY OF ILLINOIS  
LOOMIS LABORATORY

UNIVERSITY OF ILLINOIS  
DANIELS HALL

UNIVERSITY OF ILLINOIS  
GOODWIN-GREEN APARTMENTS

UNIVERSITY OF ILLINOIS  
ILLINOIS STREET RESIDENCE HALLS



MATCH LINE - STA. 1017+50.00

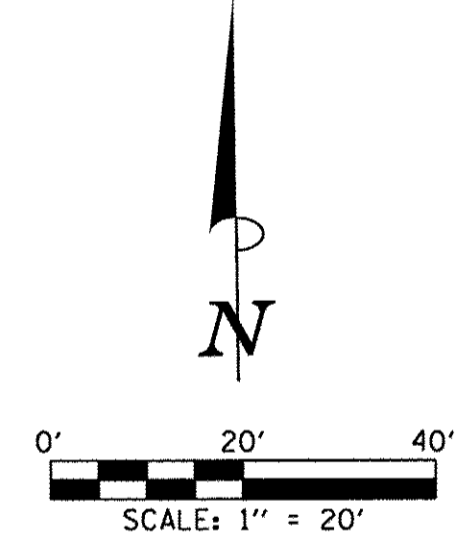
MATCH LINE - STA. 1023+50.00

**NOTES**

1. THE TEMPORARY EROSION CONTROL SYSTEMS SHALL BE INSTALLED AND MAINTAINED BY THE CONTRACTOR AT THE LOCATIONS SHOWN ON PLANS AND AS DIRECTED BY THE ENGINEER. THE PLACEMENT OF THE TEMPORARY EROSION CONTROL SYSTEMS IS NECESSARY TO SATISFY THE REQUIREMENTS OF THE NPDES PERMIT. THE WORK SHALL BE IN ACCORDANCE WITH STANDARD 280001 AND SECTION 280 OF THE STANDARD SPECIFICATIONS.
2. ADDITIONAL TEMPORARY EROSION CONTROL SYSTEMS MAY BE REQUIRED DURING CONSTRUCTION. THE SYSTEMS SHALL BE PLACED AS DIRECTED BY THE ENGINEER AND SHALL BE PAID FOR IN ACCORDANCE WITH SECTION 280 OF THE STANDARD SPECIFICATIONS. THE MAINTENANCE OF THE TEMPORARY EROSION CONTROL SYSTEMS AS DESCRIBED IN ARTICLE 280.05 OF THE STANDARD SPECIFICATIONS WILL NOT BE PAID FOR SEPARATELY BUT SHALL BE INCLUDED IN THE COST OF THE VARIOUS EROSION CONTROL PAY ITEMS.
3. TEMPORARY EROSION CONTROL SEEDING SHALL BE PERFORMED AS DIRECTED BY THE ENGINEER AND IN ACCORDANCE WITH SECTION 280 OF THE STANDARD SPECIFICATIONS. A QUANTITY FOR TEMPORARY EROSION CONTROL SEEDING EQUAL TO THE PERMANENT SODDING AREA HAS BEEN ALLOWED FOR THIS PROJECT.
4. PERMANENT SODDING OF DISTURBED EARTH AREAS SHALL BE PERFORMED AS SOON AS POSSIBLE AFTER COMPLETION OF EACH STAGE OF THE PROJECT TO EXPEDITE THE ESTABLISHMENT OF VEGETATION. SEE THE LANDSCAPE PLANS FOR THE LOCATIONS OF PROPOSED TURF AREAS.

**EROSION CONTROL SYSTEMS INSTALLATION SEQUENCE**

1. REFER TO THE TRAFFIC CONTROL PLANS FOR THE DETAILED SEQUENCE OF CONSTRUCTION AND STAGING PLAN.
2. INSTALL INLET FILTERS AT EXISTING DRAINAGE STRUCTURES AS SHOWN ON THE PLANS.
3. INSTALL INLET FILTERS AT PROPOSED DRAINAGE STRUCTURES AS SOON AS THEY HAVE BEEN CONSTRUCTED. PLACE TEMPORARY EROSION CONTROL SEEDING AS SOON AS THE ROUGH GRADING IS COMPLETE OR AS DIRECTED BY THE ENGINEER.
4. MAINTAIN ALL EROSION CONTROL SYSTEMS UNTIL SUCH TIME THAT THEY CAN BE REMOVED AS DIRECTED BY THE ENGINEER.
5. PLACE SOD AS SOON AS FINAL GRADING AND SHAPING IS COMPLETE.
6. REMOVE AND CLEANUP ALL REMAINING EROSION CONTROL SYSTEMS AS DIRECTED BY THE ENGINEER.



**LEGEND**

- INLET FILTERS
- EROSION CONTROL BARRIER

© Copyright Hanson Professional Services Inc. 2016  
**HANSON**  
Hanson Professional Services Inc.

LAYOUT	BAB	11/24/15
DRAWN	RLA	2/4/16
REVIEWED	MPB	3/22/16

FILE NAME =  
Z:\Plans\Sheets\Project1\P1-sht-eros04.dgn  
PLOT DATE =  
8/25/2016 1:36:49 PM

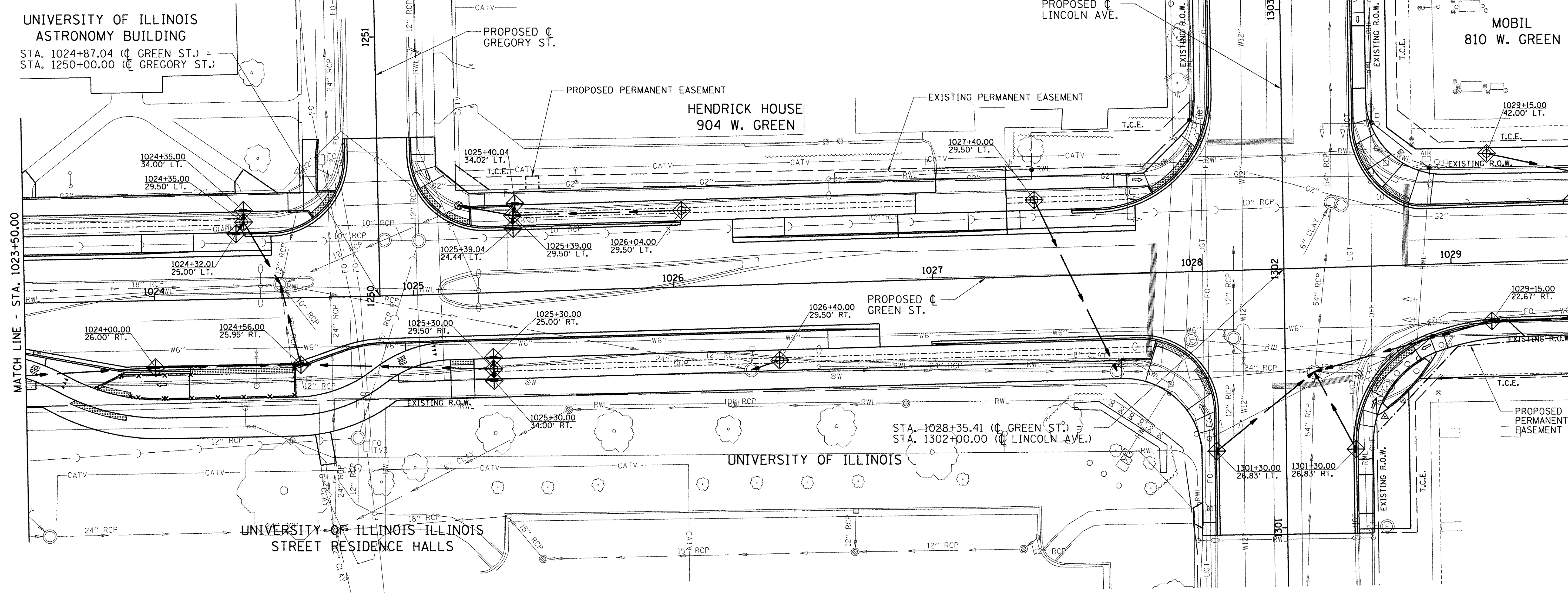
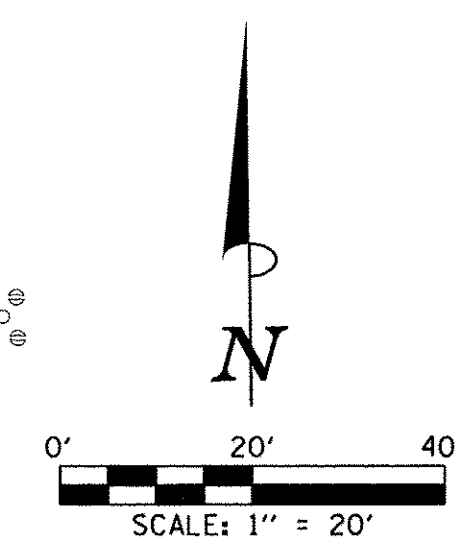
DESIGNED -	BAB	REVISED -	
DRAWN -	RLA	REVISED -	
CHECKED -	MPB	REVISED -	
DATE -	8/26/2016	REVISED -	

STATE OF ILLINOIS  
DEPARTMENT OF TRANSPORTATION

PROJECT 1 - GREEN STREET  
EROSION CONTROL PLANS

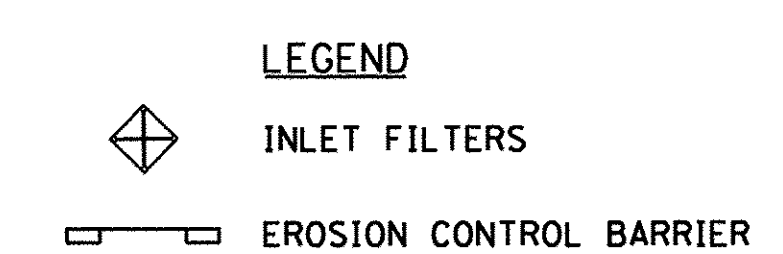
SCALE: 1"=20' SHEET NO. OF SHEETS STA. 1017+50.00 TO STA. 1023+50.00

F.A.U. RTE.	SECTION	COUNTY	TOTAL SHEETS	SHEET NO.
7126	15-00304-01-PV	CHAMPAIGN	236	61
MCORE PROJECT 1			CONTRACT NO. 91539	
JOB NO. C-95-305-16 ILLINOIS FED. AID PROJECT TIG-5181057				



- NOTES**
1. THE TEMPORARY EROSION CONTROL SYSTEMS SHALL BE INSTALLED AND MAINTAINED BY THE CONTRACTOR AT THE LOCATIONS SHOWN ON PLANS AND AS DIRECTED BY THE ENGINEER. THE PLACEMENT OF THE TEMPORARY EROSION CONTROL SYSTEMS IS NECESSARY TO SATISFY THE REQUIREMENTS OF THE NPDES PERMIT. THE WORK SHALL BE IN ACCORDANCE WITH STANDARD 280001 AND SECTION 280 OF THE STANDARD SPECIFICATIONS.
  2. ADDITIONAL TEMPORARY EROSION CONTROL SYSTEMS MAY BE REQUIRED DURING CONSTRUCTION. THE SYSTEMS SHALL BE PLACED AS DIRECTED BY THE ENGINEER AND SHALL BE PAID FOR IN ACCORDANCE WITH SECTION 280 OF THE STANDARD SPECIFICATIONS. THE MAINTENANCE OF THE TEMPORARY EROSION CONTROL SYSTEMS AS DESCRIBED IN ARTICLE 280.05 OF THE STANDARD SPECIFICATIONS WILL NOT BE PAID FOR SEPARATELY BUT SHALL BE INCLUDED IN THE COST OF THE VARIOUS EROSION CONTROL PAY ITEMS.
  3. TEMPORARY EROSION CONTROL SEEDING SHALL BE DIRECTED BY THE ENGINEER AND IN ACCORDANCE WITH SECTION 280 OF THE STANDARD SPECIFICATIONS. A QUANTITY FOR TEMPORARY EROSION CONTROL SEEDING EQUAL TO THE PERMANENT SODDING AREA HAS BEEN ALLOWED FOR THIS PROJECT.
  4. PERMANENT SODDING OF DISTURBED EARTH AREAS SHALL BE PERFORMED AS SOON AS POSSIBLE AFTER COMPLETION OF EACH STAGE OF THE PROJECT TO EXPEDITE THE ESTABLISHMENT OF VEGETATION. SEE THE LANDSCAPE PLANS FOR THE LOCATIONS OF PROPOSED TURF AREAS.

- EROSION CONTROL SYSTEMS INSTALLATION SEQUENCE**
1. REFER TO THE TRAFFIC CONTROL PLANS FOR THE DETAILED SEQUENCE OF CONSTRUCTION AND STAGING PLAN.
  2. INSTALL INLET FILTERS AT EXISTING DRAINAGE STRUCTURES AS SHOWN ON THE PLANS.
  3. INSTALL INLET FILTERS AT PROPOSED DRAINAGE STRUCTURES AS SOON AS THEY HAVE BEEN CONSTRUCTED. PLACE TEMPORARY EROSION CONTROL SEEDING AS SOON AS THE ROUGH GRADING IS COMPLETE OR AS DIRECTED BY THE ENGINEER.
  4. MAINTAIN ALL EROSION CONTROL SYSTEMS UNTIL SUCH TIME THAT THEY CAN BE REMOVED AS DIRECTED BY THE ENGINEER.
  5. PLACE SOD AS SOON AS FINAL GRADING AND SHAPING IS COMPLETE.
  6. REMOVE AND CLEANUP ALL REMAINING EROSION CONTROL SYSTEMS AS DIRECTED BY THE ENGINEER.



© Copyright Hanson Professional Services Inc. 2016  
**HANSON**  
 Hanson Professional Services Inc.

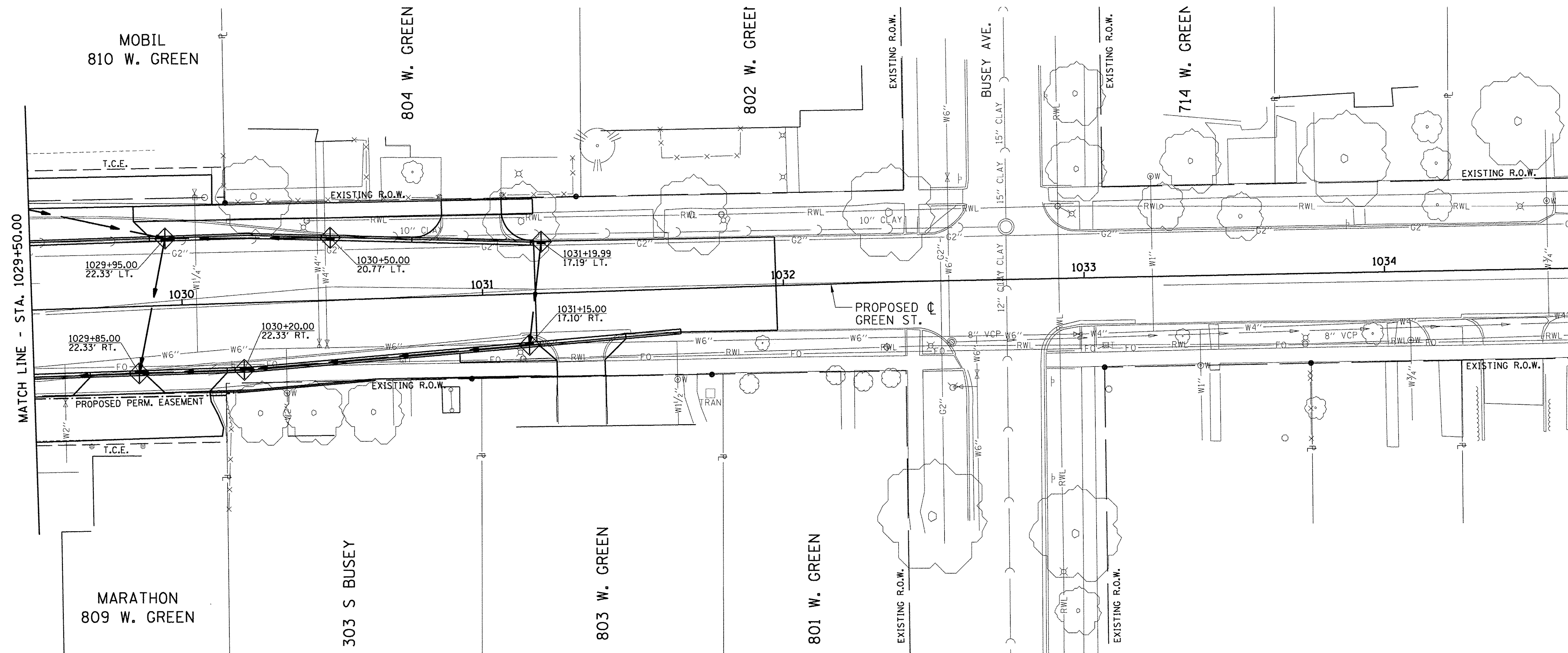
LAYOUT	BAB	11/24/15
DRAWN	RLA	2/4/16
REVIEWED	MPB	3/22/16

FILE NAME =	DESIGNED -	REVISED -
Z:\Plans\sheets\Project1\1-sht-eros05.dgn	BAB	
PLOT DATE =	DRAWN -	REVISED -
8/25/2016 1:36:52 PM	RLA	
	CHECKED -	REVISED -
	MPB	
	DATE -	REVISED -
	8/26/2016	

STATE OF ILLINOIS
DEPARTMENT OF TRANSPORTATION

PROJECT 1 - GREEN STREET
EROSION CONTROL PLANS
SCALE: 1"=20'
SHEET NO. OF SHEETS
STA. 1023+50.00 TO STA. 1029+50.00

F.A.U. RTE.	SECTION	COUNTY	TOTAL SHEETS	SHEET NO.
7126	15-00304-01-PV	CHAMPAIGN	236	62
MCORE PROJECT 1		CONTRACT NO. 91539		
JOB NO. C-95-305-16 ILLINOIS FED. AID PROJECT TIG-51810571				

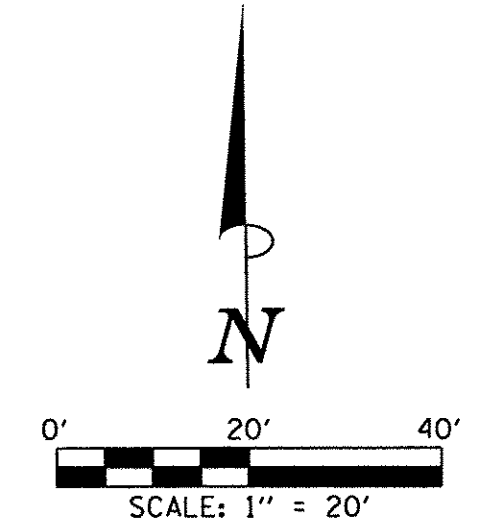


**NOTES**


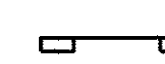
1. THE TEMPORARY EROSION CONTROL SYSTEMS SHALL BE INSTALLED AND MAINTAINED BY THE CONTRACTOR AT THE LOCATIONS SHOWN ON PLANS AND AS DIRECTED BY THE ENGINEER. THE PLACEMENT OF THE TEMPORARY EROSION CONTROL SYSTEMS IS NECESSARY TO SATISFY THE REQUIREMENTS OF THE NPDES PERMIT. THE WORK SHALL BE IN ACCORDANCE WITH STANDARD 280001 AND SECTION 280 OF THE STANDARD SPECIFICATIONS.
2. ADDITIONAL TEMPORARY EROSION CONTROL SYSTEMS MAY BE REQUIRED DURING CONSTRUCTION. THE SYSTEMS SHALL BE PLACED AS DIRECTED BY THE ENGINEER AND SHALL BE PAID FOR IN ACCORDANCE WITH SECTION 280 OF THE STANDARD SPECIFICATIONS. THE MAINTENANCE OF THE TEMPORARY EROSION CONTROL SYSTEMS AS DESCRIBED IN ARTICLE 280.05 OF THE STANDARD SPECIFICATIONS WILL NOT BE PAID FOR SEPARATELY BUT SHALL BE INCLUDED IN THE COST OF THE VARIOUS EROSION CONTROL PAY ITEMS.
3. TEMPORARY EROSION CONTROL SEEDING SHALL BE PERFORMED AS DIRECTED BY THE ENGINEER AND IN ACCORDANCE WITH SECTION 280 OF THE STANDARD SPECIFICATIONS. A QUANTITY FOR TEMPORARY EROSION CONTROL SEEDING EQUAL TO THE PERMANENT SODDING AREA HAS BEEN ALLOWED FOR THIS PROJECT.
4. PERMANENT SODDING OF DISTURBED EARTH AREAS SHALL BE PERFORMED AS SOON AS POSSIBLE AFTER COMPLETION OF EACH STAGE OF THE PROJECT TO EXPEDITE THE ESTABLISHMENT OF VEGETATION. SEE THE LANDSCAPE PLANS FOR THE LOCATIONS OF PROPOSED TURF AREAS.

**EROSION CONTROL SYSTEMS INSTALLATION SEQUENCE**

1. REFER TO THE TRAFFIC CONTROL PLANS FOR THE DETAILED SEQUENCE OF CONSTRUCTION AND STAGING PLAN.
2. INSTALL INLET FILTERS AT EXISTING DRAINAGE STRUCTURES AS SHOWN ON THE PLANS.
3. INSTALL INLET FILTERS AT PROPOSED DRAINAGE STRUCTURES AS SOON AS THEY HAVE BEEN CONSTRUCTED. PLACE TEMPORARY EROSION CONTROL SEEDING AS SOON AS THE ROUGH GRADING IS COMPLETE OR AS DIRECTED BY THE ENGINEER.
4. MAINTAIN ALL EROSION CONTROL SYSTEMS UNTIL SUCH TIME THAT THEY CAN BE REMOVED AS DIRECTED BY THE ENGINEER.
5. PLACE SOD AS SOON AS FINAL GRADING AND SHAPING IS COMPLETE.
6. REMOVE AND CLEANUP ALL REMAINING EROSION CONTROL SYSTEMS AS DIRECTED BY THE ENGINEER.



**LEGEND**

-  INLET FILTERS
-  EROSION CONTROL BARRIER

© Copyright Hanson Professional Services Inc. 2016  
**HANSON**  
 Hanson Professional Services Inc.

LAYOUT	BAB	11/24/15
DRAWN	RLA	2/4/16
REVIEWED	MPB	3/22/16

FILE NAME = Z:\Plans\Sheets\Project1\P1-sht-eros06.dgn  
 PLOT DATE = 8/25/2016 1:36:56 PM

DESIGNED	-	BAB	REVISED	-
DRAWN	-	RLA	REVISED	-
CHECKED	-	MPB	REVISED	-
DATE	-	8/26/2016	REVISED	-

STATE OF ILLINOIS  
 DEPARTMENT OF TRANSPORTATION

PROJECT 1 - GREEN STREET  
 EROSION CONTROL PLANS

SCALE: 1"=20' SHEET NO. OF SHEETS STA. 1029+50.00 TO STA. 1033+55.00

F.A.U. RTE.	SECTION	COUNTY	TOTAL SHEETS	SHEET NO.
7126	15-00304-01-PV	CHAMPAIGN	236	63
MCORE PROJECT 1			CONTRACT NO. 91539	
JOB NO. C-95-305-16 ILLINOIS FED. AID PROJECT T16-5181(057)				

# SCHEDULE OF QUANTITIES

SIGN SCHEDULE					
LOCATION			72000100	72800100	
STATION	OFFSET	LT/RT	SIGN PANEL - TYPE 1	TELESCOPING STEEL SIGN SUPPORT	
STATION	OFFSET	LT/RT	SIGN	SQ FT	FOOT
GREEN STREET					
1002+26.52	28.50	LT	BIKE-2	6.25	15.75
1003+20.99	37.49	LT	BIKE-1	0.75	
1003+24.83	47.84	LT	R1-2 (BIKE)	2.00	14.75
1004+32.70	28.50	RT	R1-5b (RT)	9.00	16.25
1004+50.33	28.55	RT	W11-2	6.25	17.00
			W16-7P	2.00	
1004+53.73	10.17	LT	W4-3	9.00	17.00
			W11-2	6.25	
			W16-7P	2.00	
1004+54.36	30.67	RT	R5-11	5.00	16.50
			BIKE-1	0.75	
			BIKE-1	0.75	
1004+55.29	58.59	LT	R5-11	5.00	16.50
			BIKE-1	0.75	
			BIKE-1	0.75	
1004+81.95	19.93	LT	W11-2	6.25	15.75
			W16-7P	2.00	
1005+07.54	58.69	LT	R5-11	5.00	16.50
			BIKE-1	0.75	
			BIKE-1	0.75	
1005+23.24	59.03	LT	R1-5b (RT)	9.00	16.25
1005+28.29	33.78	LT	R1-5b (LT)	9.00	16.25
1005+89.40	40.04	RT	BIKE-1	0.75	
1006+66.32	10.00	LT	R4-7	5.00	15.75
1007+50.72	28.47	RT	R1-5b (RT)	9.00	
1007+76.40	39.97	RT	R1-2 (BIKE)	2.00	14.75
1007+89.90	29.50	LT	BIKE-1	0.75	14.25
			BIKE-1	0.75	
1007+90.24	35.47	RT	BIKE-1	0.75	14.25
			BIKE-1	0.75	
1008+39.06	31.50	LT	R5-11	5.00	15.25
1008+43.60	28.42	LT	R1-5b (RT)	9.00	16.25
1008+65.43	30.50	RT	R1-1	9.00	16.25
1010+10.44	28.42	RT	R1-5b (RT)	9.00	16.25
1011+36.15	29.38	LT	R1-5b (RT)	9.00	16.25
1011+62.29	21.50	LT	BIKE-2	6.25	15.75
1012+07.52	38.00	LT	BIKE-1	0.75	
			BIKE-1	0.75	
1014+09.30	36.84	LT	BIKE-1	0.75	
			BIKE-1	0.75	
1014+40.33	32.00	LT	R1-2 (BIKE)	2.00	14.75
1014+91.17	37.00	RT	CULTURAL-1	4.00	
1016+60.93	32.00	RT	R1-2 (BIKE)	2.00	14.75
1016+99.17	36.84	RT	BIKE-1	0.75	
			BIKE-1	0.75	

SIGN SCHEDULE					
LOCATION			72000100	72800100	
STATION	OFFSET	LT/RT	SIGN PANEL - TYPE 1	TELESCOPING STEEL SIGN SUPPORT	
STATION	OFFSET	LT/RT	SIGN	SQ FT	FOOT
GREEN STREET					
1020+27.41	28.50	RT	R1-5b (RT)	9.00	16.25
1020+27.41	0.92	RT	R1-5b (LT)	9.00	16.25
1020+69.41	29.50	RT	BIKE-1	0.75	14.25
			BIKE-1	0.75	
1020+78.41	29.50	LT	BIKE-1	0.75	14.25
			BIKE-1	0.75	
1021+00.41	29.51	LT	R1-5b (RT)	9.00	16.25
1021+00.41	0.92	LT	R1-5b (LT)	9.00	16.25
1022+27.34	36.84	LT	BIKE-1	0.75	
			BIKE-1	0.75	
1022+65.58	32.00	LT	R1-2 (BIKE)	2.00	14.75
1023+51.66	32.00	RT	R1-2 (BIKE)	2.00	14.75
1023+89.90	36.84	RT	BIKE-1	0.75	
			BIKE-1	0.75	
1024+88.46	21.50	RT	R1-5b (RT)	9.00	16.25
1025+07.40	28.09	RT	R1-2 (BIKE)	2.00	14.75
1025+26.44	29.89	LT	BIKE-1	0.75	14.25
			BIKE-1	0.75	
1025+27.46	29.50	RT	BIKE-1	0.75	14.25
			BIKE-1	0.75	
1025+48.44	29.00	LT	R1-5b (RT)	9.00	16.25
1026+75.00	29.00	LT	RELOCATED		17.50
1030+75.00	21.53	LT	R3-17	3.00	14.75
MATHEWS AVENUE					
1100+98.10	26.18	RT	R6-2R	7.50	16.25
			R6-2L	7.50	
1101+99.68	30.57	LT	R6-2R	7.50	16.25
			R6-2L	7.50	
GREGORY STREET					
1250+47.52	17.02	LT	R1-1	9.00	16.25
UNION					
1005+97.95	80.09	RT	R7-8	1.50	13.00
			R7-1 101	0.50	
1006+50.95	154.53	RT	R5-1	6.25	15.75
1006+54.14	140.98	RT	R6-2R	7.50	16.25
1007+13.70	177.37	RT	R5-1	6.25	15.75
FROM TRAFFIC SIGNAL PLANS				61.00	
TOTAL				362.75	703.50

SIGN PANEL RELOCATION SCHEDULE							
EXISTING LOCATION		PROPOSED LOCATION			DESCRIPTION	X2600011 REMOVE AND RELOCATE SIGN PANEL EACH	
STATION	OFFSET	LT/RT	STATION	OFFSET	LT/RT		
1011+28.70	4.81	RT	1011+33.00	42.50	RT	GREEN/MATHEWS STREET NAMES	2
1025+25.07	1.01	LT	1025+47.00	39.50	RT	GREEN/GREGORY STREET NAMES	2
1026+61.11	39.96	LT	1026+75.00	29.00	LT	UNIVERSITY DISTRICT	1
TOTAL							5

PAVEMENT MARKING SCHEDULE												
LOCATION		78006100	78009000	78009004	78009006	78009012	78009024	X7830060	X7830070	X7830074	X7830078	X7830090
		PREFORMED THERMOPLASTIC PAVEMENT MARKING - LETTERS AND SYMBOLS	MODIFIED URETHANE PAVEMENT MARKING - LETTERS AND SYMBOLS	MODIFIED URETHANE PAVEMENT MARKING - LINE 4"	MODIFIED URETHANE PAVEMENT MARKING - LINE 6"	MODIFIED URETHANE PAVEMENT MARKING - LINE 12"	MODIFIED URETHANE PAVEMENT MARKING - LINE 24"	GROOVING FOR RECESSED PAVEMENT MARKING, LETTERS AND SYMBOLS	GROOVING FOR RECESSED PAVEMENT MARKING 5"	GROOVING FOR RECESSED PAVEMENT MARKING 7"	GROOVING FOR RECESSED PAVEMENT MARKING 13"	GROOVING FOR RECESSED PAVEMENT MARKING 25"
BEGIN STATION	END STATION	SQ FT	SQ FT	FOOT	FOOT	FOOT	FOOT	SQ FT	FOOT	FOOT	FOOT	FOOT
GREEN STREET												
1001+71.29	1006+00.00	240	107	1113	642	486	71	107	1113	642	486	71
1006+00.00	1011+50.00	544	103	1075	504	873	92	103	1075	504	873	92
1011+50.00	1017+50.00	780	103	1882	1007	94	116	103	1882	1007	94	116
1017+50.00	1023+50.00	480	72	1851	94	176	36	72	1851	94	176	36
1023+50.00	1029+50.00	432	92	1770	696	303	172	92	1770	696	303	172
1029+50.00	1033+55.00	240	18	568	333			18	568	333		
UNION			29	1082		132						
TOTAL		2,716	524	9,341	3,276	2,064	487	495	8,259	3,276	1,932	487

© Copyright Hanson Professional Services Inc. 2016  
**HANSON**  
 Hanson Professional Services Inc.

LAYOUT	BWW	11/24/15
DRAWN	RLA	8/24/16
REVIEWED	MCD	8/25/16

FILE NAME = Z:\Plans\Sheets\Project1\P1-sht-pvtmark-SCH.dgn  
 PLOT DATE = 8/25/2016 1:36:58 PM

DESIGNED - BWW  
 DRAWN - RLA  
 CHECKED - MCD  
 DATE - 8/26/2016

REVISED -  
 REVISED -  
 REVISED -  
 REVISED -

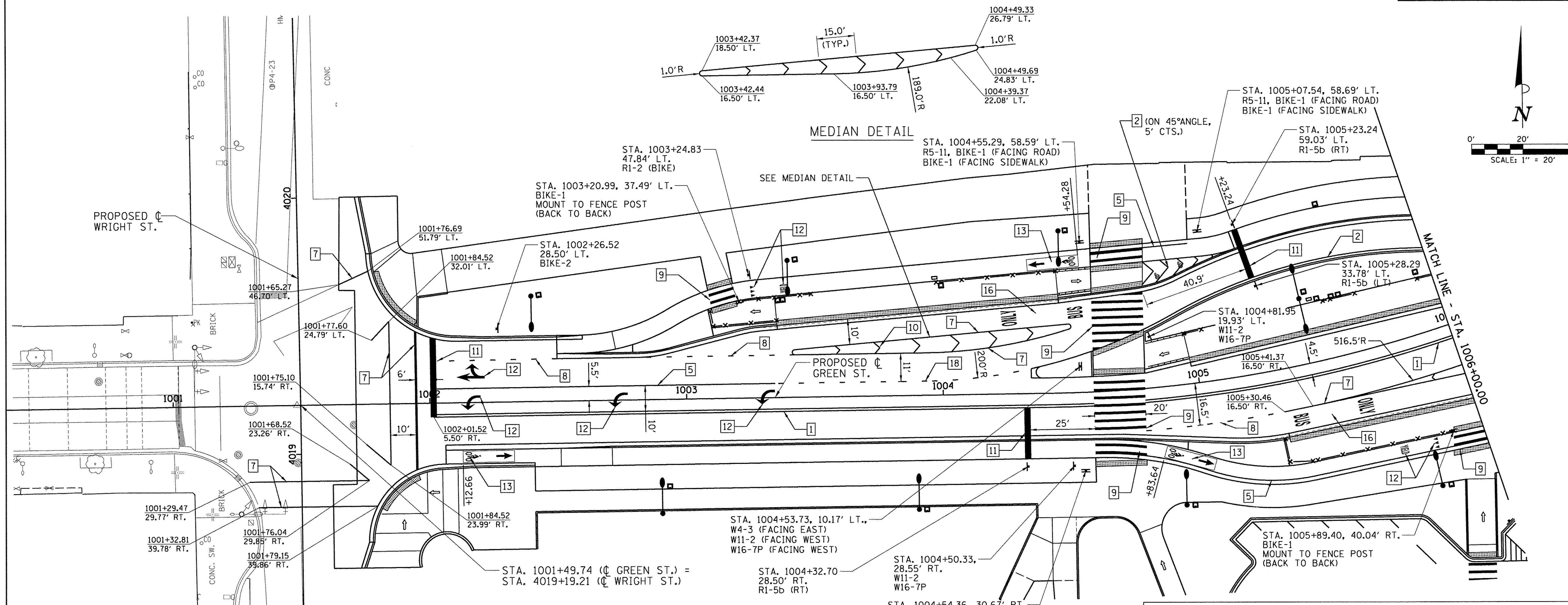
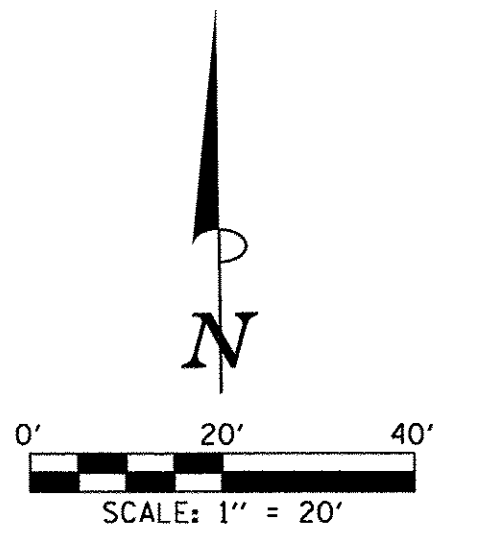
STATE OF ILLINOIS  
 DEPARTMENT OF TRANSPORTATION

PROJECT 1 - GREEN STREET  
 PAVEMENT MARKING AND SIGNING SCHEDULE

SCALE: 1"=20' SHEET NO. OF SHEETS STA. 1001+71.29 TO STA. 1006+00.00

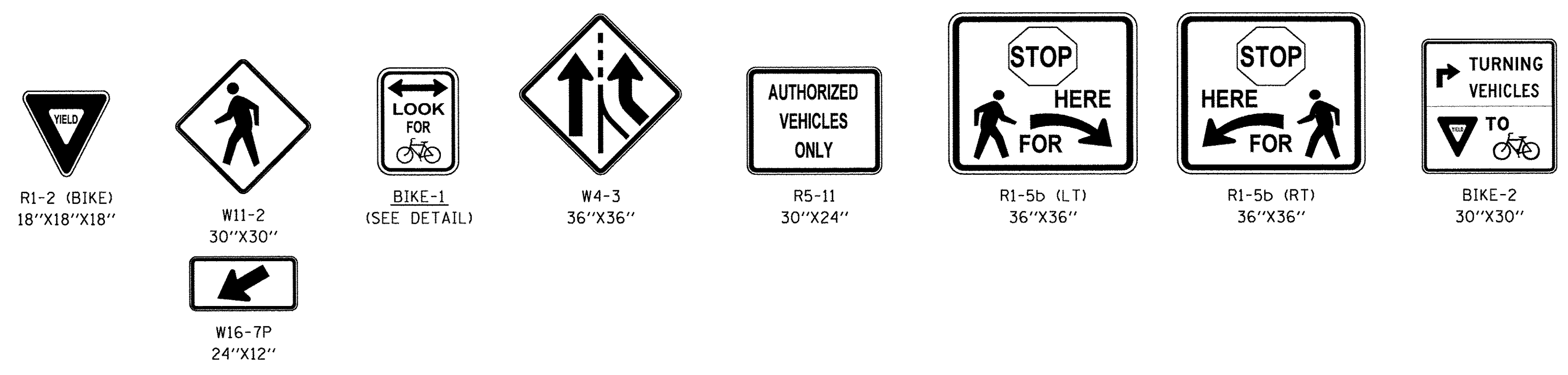
F.A.U. RTE.	SECTION	COUNTY	TOTAL SHEETS	SHEET NO.
7126	15-00304-01-PV	CHAMPAIGN	236	64
MCORE PROJECT 1		CONTRACT NO. 91539		
JOB NO. C-95-305-16 ILLINOIS FED. AID PROJECT TIG-51810571				





\*NOTE: ALL PAVEMENT MARKINGS SHALL BE INLAID EXCEPT AS NOTED. COST TO INLAY MODIFIED URETHANE MARKINGS IS PAID FOR AS "GROOVING FOR RECESSED PAVEMENT MARKINGS." INLAY FOR PREFORMED THERMOPLASTIC PAVEMENT MARKINGS ARE INCLUDED WITH THAT ITEM, SEE SPECIAL PROVISIONS.

TYPICAL PAVEMENT MARKING LEGEND	
1	DOUBLE YELLOW-MODIFIED URETHANE PAVEMENT MARKING LINE - 4" SOLID, 4" GAP
2	YELLOW-MODIFIED URETHANE PAVEMENT MARKING LINE - 4" SOLID
3	YELLOW-MODIFIED URETHANE PAVEMENT MARKING LINE - 10' LONG, 30' GAP - 4"
4	YELLOW-MODIFIED URETHANE PAVEMENT MARKING LINE - 12" (ON 45° ANGLE, 15' CTC)
5	WHITE-MODIFIED URETHANE PAVEMENT MARKING LINE - 4" SOLID
6	WHITE-MODIFIED URETHANE PAVEMENT MARKING LINE - 10' LONG, 30' GAP - 4"
7	WHITE-MODIFIED URETHANE PAVEMENT MARKING LINE - 6" SOLID
8	WHITE-MODIFIED URETHANE PAVEMENT MARKING LINE - 2' LONG, 6' GAP - 6"
9	WHITE-MODIFIED URETHANE PAVEMENT MARKING LINE - 12" SOLID
10	WHITE-MODIFIED URETHANE PAVEMENT MARKING LINE - 12" (ON 45° ANGLE, 15' CTC)
11	WHITE-MODIFIED URETHANE PAVEMENT MARKING LINE - 24" SOLID
12	WHITE-MODIFIED URETHANE PAVEMENT MARKING, LETTERS AND SYMBOLS (FOR LEFT AND RIGHT TURN LANE ONE ARROW 20' FROM FRONT OF STORAGE AND ONE ARROW AT BACK OF STORAGE AS SHOWN)
13	PREFORMED THERMOPLASTIC PAVEMENT MARKING - SEE BICYCLE LANE MARKING DETAIL
14	PREFORMED THERMOPLASTIC PAVEMENT MARKING - SEE BIKE LANE EXTENSION DETAIL
15	PREFORMED THERMOPLASTIC PAVEMENT MARKING - SEE BIKE BOX LAYOUT DETAIL
16	WHITE-MODIFIED URETHANE PAVEMENT MARKING, LETTERS AND SYMBOLS - SEE BUS ONLY DETAIL
17	PREFORMED THERMOPLASTIC PAVEMENT MARKING - WHITE - 6" SOLID
18	WHITE-MODIFIED URETHANE PAVEMENT MARKING LINE - 2' LONG, 6' GAP - 4"



LAYOUT	BWW	11/24/15
DRAWN	RLA	8/24/16
REVIEWED	MGD	8/25/16

FILE NAME =	Z:\Plans\sheets\Project1\p1-sht-pvtmark01.dgn
PLOT DATE =	8/25/2016 1:37:55 PM

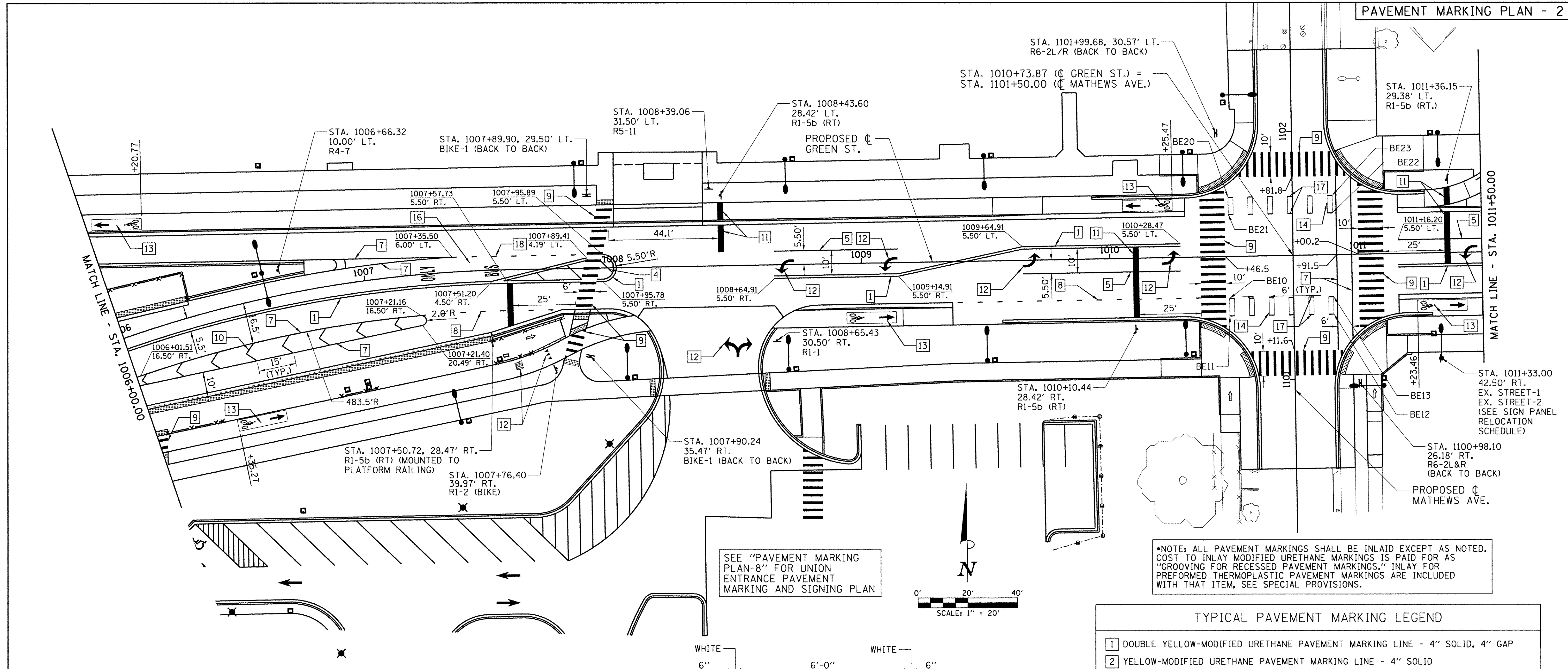
DESIGNED -	BWW	REVISED -	
DRAWN -	RLA	REVISED -	
CHECKED -	MGD	REVISED -	
DATE -	8/26/2016	REVISED -	

STATE OF ILLINOIS  
DEPARTMENT OF TRANSPORTATION

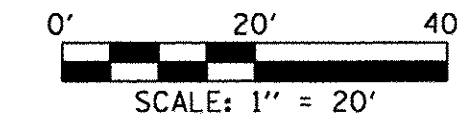
PROJECT 1 - GREEN STREET PAVEMENT MARKING AND SIGNING PLANS			
SCALE: 1"=20'	SHEET NO.	OF	SHEETS
			STA. 1001+71.29 TO STA. 1006+00.00

F.A.U. RTE.	SECTION	COUNTY	TOTAL SHEETS	SHEET NO.
7126	15-00304-01-PV	CHAMPAIGN	236	65
MCORE PROJECT 1			CONTRACT NO. 91539	
JOB NO. C-95-305-16   ILLINOIS FED. AID PROJECT T16-5181057				

© Copyright Hanson Professional Services Inc. 2016  
**HANSON**  
 Hanson Professional Services Inc.



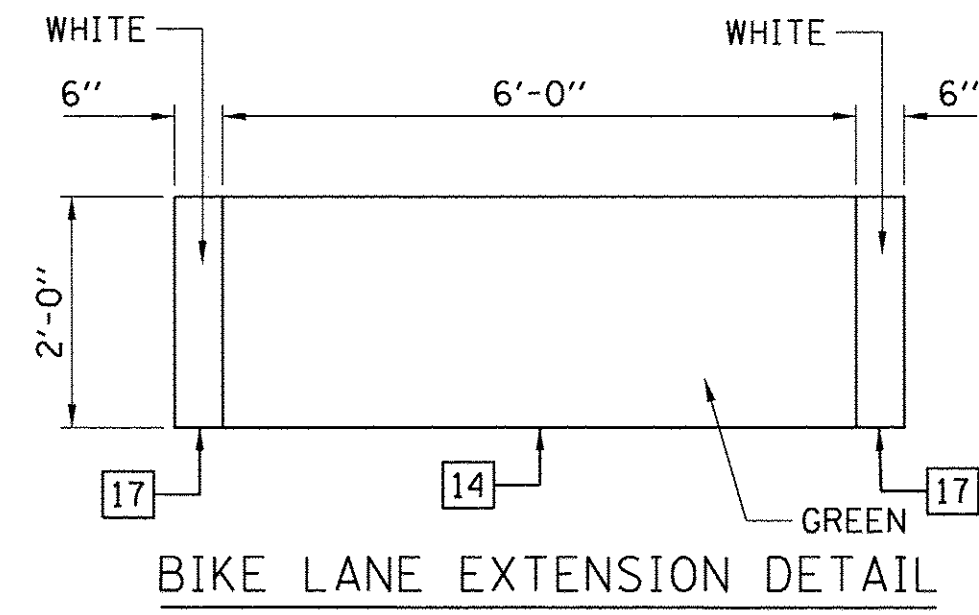
SEE "PAVEMENT MARKING PLAN-8" FOR UNION ENTRANCE PAVEMENT MARKING AND SIGNING PLAN



\*NOTE: ALL PAVEMENT MARKINGS SHALL BE INLAID EXCEPT AS NOTED. COST TO INLAY MODIFIED URETHANE MARKINGS IS PAID FOR AS "GROOVING FOR RECESSED PAVEMENT MARKINGS." INLAY FOR PREFORMED THERMOPLASTIC PAVEMENT MARKINGS ARE INCLUDED WITH THAT ITEM, SEE SPECIAL PROVISIONS.

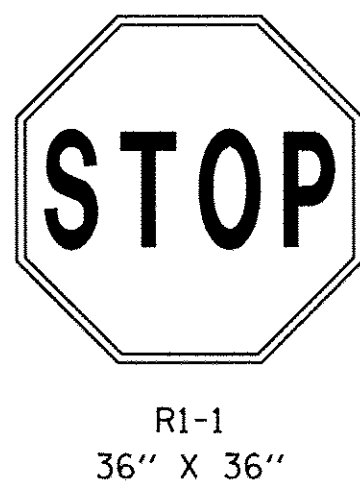
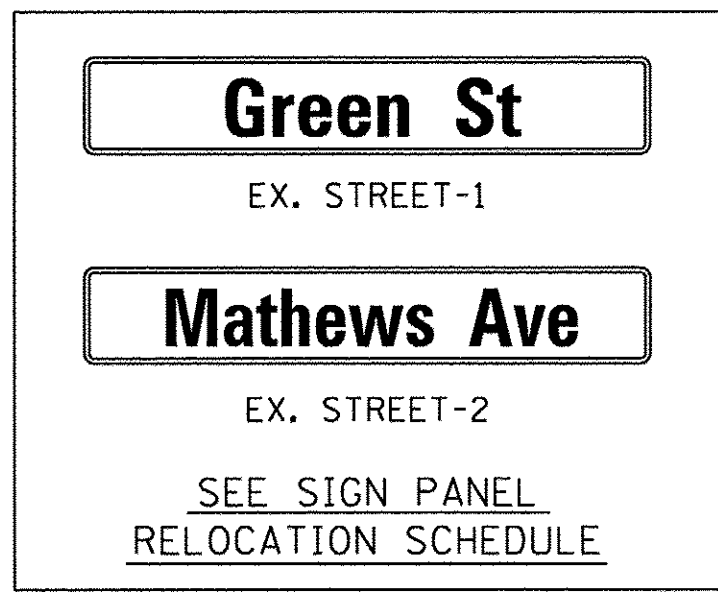
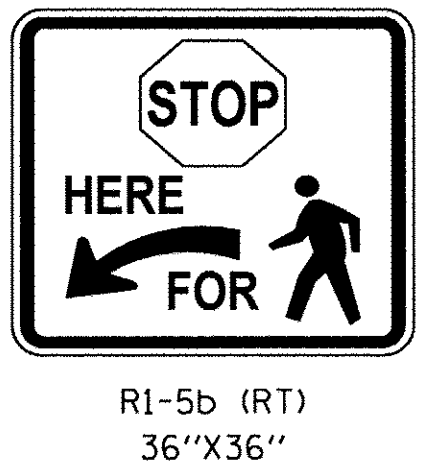
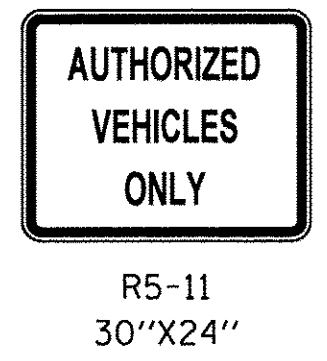
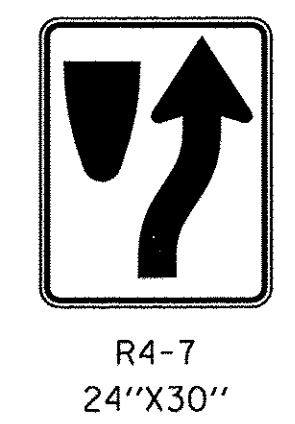
TYPICAL PAVEMENT MARKING LEGEND

- 1 DOUBLE YELLOW-MODIFIED URETHANE PAVEMENT MARKING LINE - 4" SOLID, 4" GAP
- 2 YELLOW-MODIFIED URETHANE PAVEMENT MARKING LINE - 4" SOLID
- 3 YELLOW-MODIFIED URETHANE PAVEMENT MARKING LINE - 10' LONG, 30' GAP - 4"
- 4 YELLOW-MODIFIED URETHANE PAVEMENT MARKING LINE - 12" (ON 45° ANGLE, 15' CTC)
- 5 WHITE-MODIFIED URETHANE PAVEMENT MARKING LINE - 4" SOLID
- 6 WHITE-MODIFIED URETHANE PAVEMENT MARKING LINE - 10' LONG, 30' GAP - 4"
- 7 WHITE-MODIFIED URETHANE PAVEMENT MARKING LINE - 6" SOLID
- 8 WHITE-MODIFIED URETHANE PAVEMENT MARKING LINE - 2' LONG, 6' GAP - 6"
- 9 WHITE-MODIFIED URETHANE PAVEMENT MARKING LINE - 12" SOLID
- 10 WHITE-MODIFIED URETHANE PAVEMENT MARKING LINE - 12" (ON 45° ANGLE, 15' CTC)
- 11 WHITE-MODIFIED URETHANE PAVEMENT MARKING LINE - 24" SOLID
- 12 WHITE-MODIFIED URETHANE PAVEMENT MARKING, LETTERS AND SYMBOLS (FOR LEFT AND RIGHT TURN LANE ONE ARROW 20' FROM FRONT OF STORAGE AND ONE ARROW AT BACK OF STORAGE AS SHOWN)
- 13 PREFORMED THERMOPLASTIC PAVEMENT MARKING - SEE BICYCLE LANE MARKING DETAIL
- 14 PREFORMED THERMOPLASTIC PAVEMENT MARKING - SEE BIKE LANE EXTENSION DETAIL
- 15 PREFORMED THERMOPLASTIC PAVEMENT MARKING - SEE BIKE BOX LAYOUT DETAIL
- 16 WHITE-MODIFIED URETHANE PAVEMENT MARKING, LETTERS AND SYMBOLS - SEE BUS ONLY DETAIL
- 17 PREFORMED THERMOPLASTIC PAVEMENT MARKING - WHITE - 6" SOLID
- 18 WHITE-MODIFIED URETHANE PAVEMENT MARKING LINE - 2' LONG, 6' GAP - 4"



BIKE LANE EXTENSION LAYOUT

PNT. NO.	STATION	OFFSET	SIDE
BE10	1010+47.92	16.92'	RT.
BE11	1010+47.92	23.92'	RT.
BE12	1010+89.92	23.92'	RT.
BE13	1010+89.92	16.92'	RT.
BE20	1010+48.00	23.92'	LT.
BE21	1010+48.00	16.92'	LT.
BE22	1010+90.00	16.92'	LT.
BE23	1010+90.00	23.92'	LT.



HANSON Professional Services Inc.

LAYOUT	BWW	11/24/15
DRAWN	RLA	8/24/16
REVIEWED	MGD	8/25/16

FILE NAME = Z:\Plans\sheets\Project1\P1-sht-pvtmark02.dgn  
 PLOT DATE = 8/25/2016 1:38:00 PM

DESIGNED - BWW	REVISED -
DRAWN - RLA	REVISED -
CHECKED - MGD	REVISED -
DATE - 8/26/2016	REVISED -

STATE OF ILLINOIS  
DEPARTMENT OF TRANSPORTATION

PROJECT 1 - GREEN STREET  
PAVEMENT MARKING AND SIGNING PLANS

SCALE: 1"=20' SHEET NO. OF SHEETS STA. 1006+00.00 TO STA. 1011+50.00

F.A.U. RTE.	SECTION	COUNTY	TOTAL SHEETS	SHEET NO.
7126	15-00304-01-PV	CHAMPAIGN	236	66
MCORE PROJECT 1		CONTRACT NO. 91539		
JOB NO. C-95-305-16 ILLINOIS FED. AID PROJECT TIG-51810571				

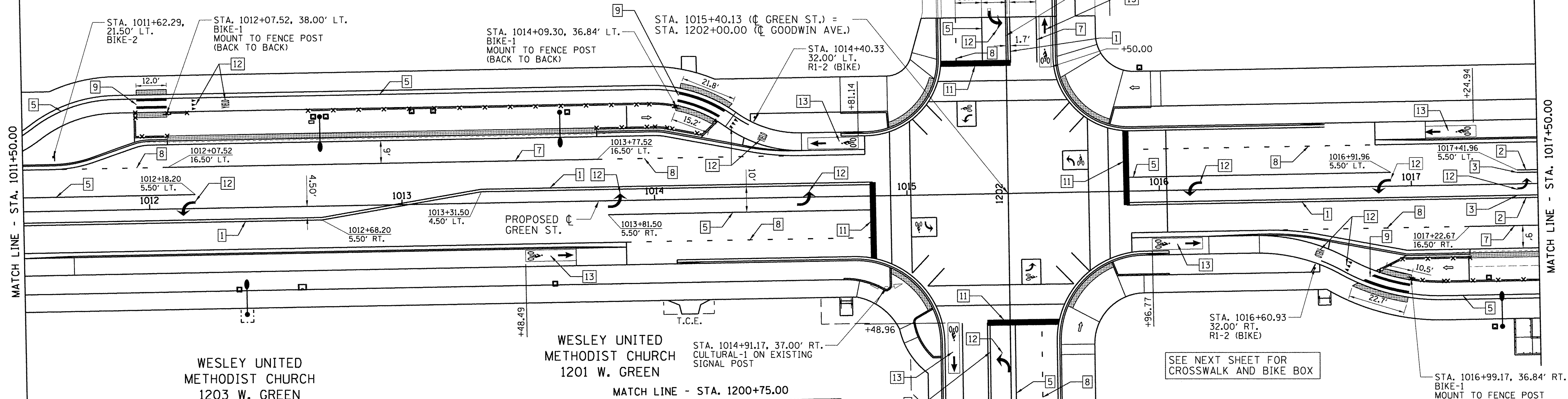
UNIVERSITY OF ILLINOIS  
LOOMIS LABORATORY

UNIVERSITY OF ILLINOIS  
ENGINEERING BUILDING

WESLEY UNITED  
METHODIST CHURCH  
1203 W. GREEN

WESLEY UNITED  
METHODIST CHURCH  
1201 W. GREEN

UNIVERSITY OF ILLINOIS  
GOODWIN-GREEN APARTMENTS

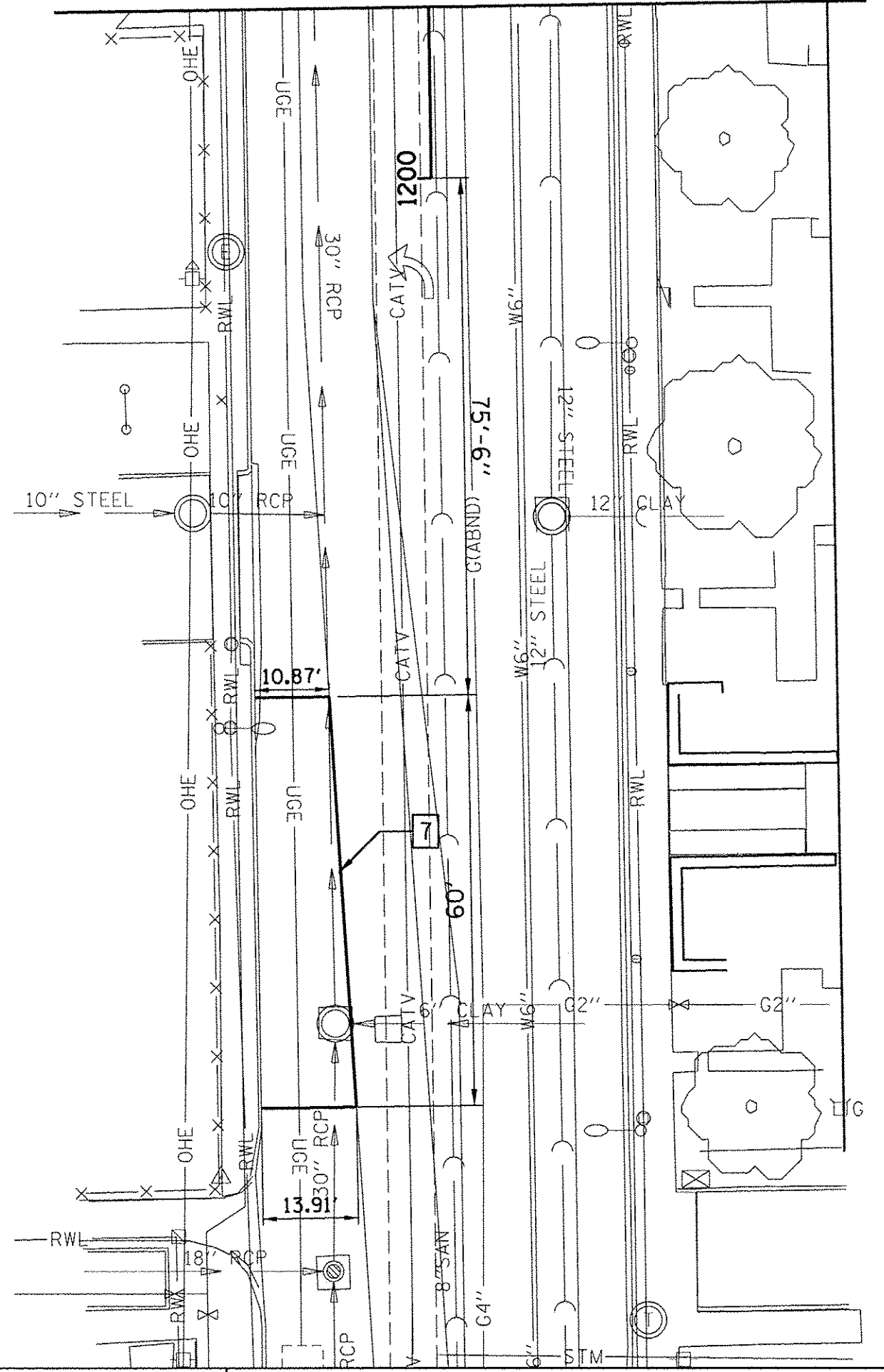


NOTE: ALL PAVEMENT MARKINGS SHALL BE INLAID EXCEPT AS NOTED. COST TO INLAY MODIFIED URETHANE MARKINGS IS PAID FOR AS "GROOVING FOR RECESSED PAVEMENT MARKINGS." INLAY FOR PREFORMED THERMOPLASTIC PAVEMENT MARKINGS ARE INCLUDED WITH THAT ITEM, SEE SPECIAL PROVISIONS.

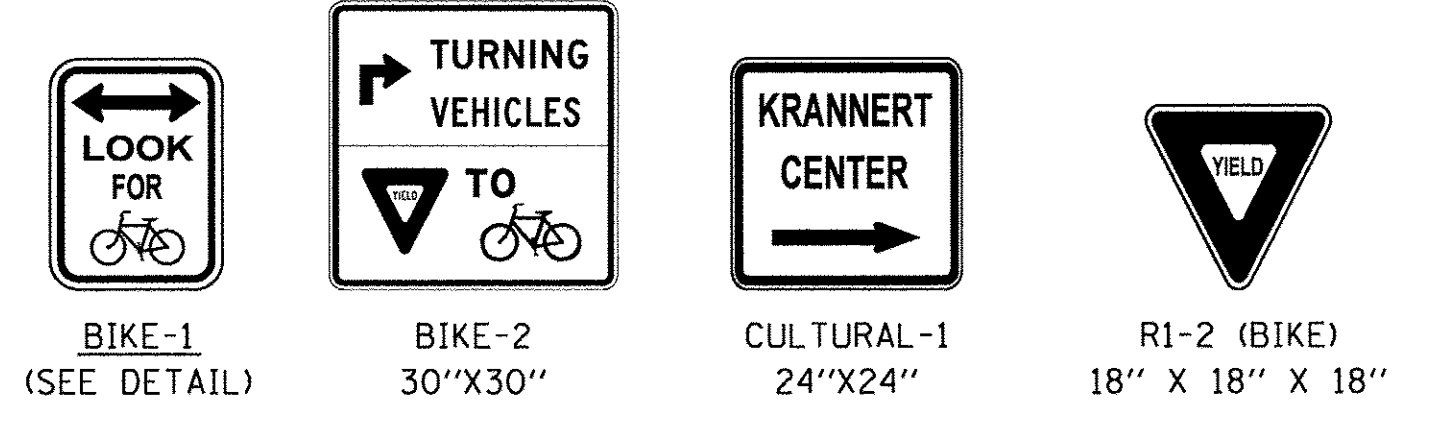
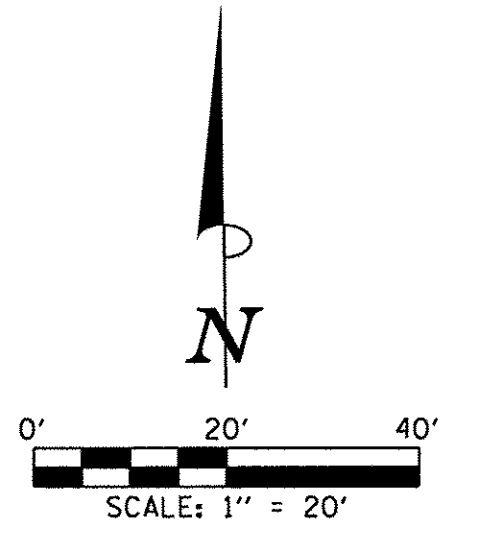
TYPICAL PAVEMENT MARKING LEGEND

- 1 DOUBLE YELLOW-MODIFIED URETHANE PAVEMENT MARKING LINE - 4" SOLID, 4" GAP
- 2 YELLOW-MODIFIED URETHANE PAVEMENT MARKING LINE - 4" SOLID
- 3 YELLOW-MODIFIED URETHANE PAVEMENT MARKING LINE - 10' LONG, 30' GAP - 4"
- 4 YELLOW-MODIFIED URETHANE PAVEMENT MARKING LINE - 12" (ON 45° ANGLE, 15' CTC)
- 5 WHITE-MODIFIED URETHANE PAVEMENT MARKING LINE - 4" SOLID
- 6 WHITE-MODIFIED URETHANE PAVEMENT MARKING LINE - 10' LONG, 30' GAP - 4"
- 7 WHITE-MODIFIED URETHANE PAVEMENT MARKING LINE - 6" SOLID
- 8 WHITE-MODIFIED URETHANE PAVEMENT MARKING LINE - 2' LONG, 6' GAP - 6"
- 9 WHITE-MODIFIED URETHANE PAVEMENT MARKING LINE - 12" SOLID
- 10 WHITE-MODIFIED URETHANE PAVEMENT MARKING LINE - 12" (ON 45° ANGLE, 15' CTC)
- 11 WHITE-MODIFIED URETHANE PAVEMENT MARKING LINE - 24" SOLID
- 12 WHITE-MODIFIED URETHANE PAVEMENT MARKING, LETTERS AND SYMBOLS (FOR LEFT AND RIGHT TURN LANE ONE ARROW 20' FROM FRONT OF STORAGE AND ONE ARROW AT BACK OF STORAGE AS SHOWN)
- 13 PREFORMED THERMOPLASTIC PAVEMENT MARKING - SEE BICYCLE LANE MARKING DETAIL
- 14 PREFORMED THERMOPLASTIC PAVEMENT MARKING - SEE BIKE LANE EXTENSION DETAIL
- 15 PREFORMED THERMOPLASTIC PAVEMENT MARKING - SEE BIKE BOX LAYOUT DETAIL
- 16 WHITE-MODIFIED URETHANE PAVEMENT MARKING, LETTERS AND SYMBOLS - SEE BUS ONLY DETAIL
- 17 PREFORMED THERMOPLASTIC PAVEMENT MARKING - WHITE - 6" SOLID
- 18 WHITE-MODIFIED URETHANE PAVEMENT MARKING LINE - 2' LONG, 6' GAP - 4"

NOTE: ALL PAVEMENT SHALL BE GROOVED FOR RECESSED PAVEMENT MARKINGS.



SEE NEXT SHEET FOR  
CROSSWALK AND BIKE BOX



© Copyright Hanson Professional Services Inc. 2016  
**HANSON**  
 Hanson Professional Services Inc.

LAYOUT	BWW	11/24/15
DRAWN	RLA	8/24/16
REVIEWED	MGD	8/25/16

FILE NAME =	Z:\Plans\sheets\Project1\P1-sht-pvtmark03.dgn
PLOT DATE =	8/25/2016 1:38:05 PM

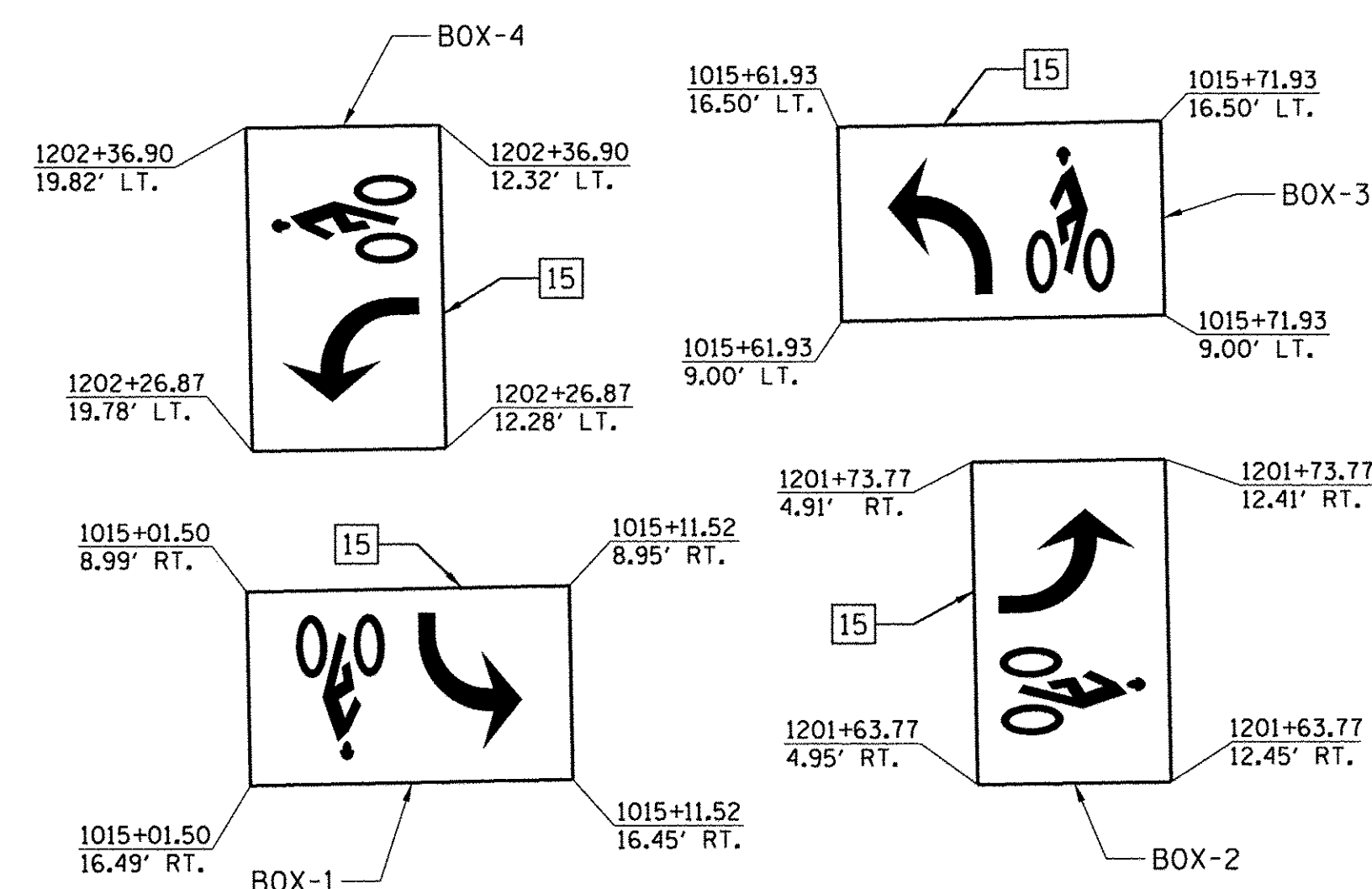
DESIGNED -	BWW	REVISED -	
DRAWN -	RLA	REVISED -	
CHECKED -	MGD	REVISED -	
DATE -	8/26/2016	REVISED -	

STATE OF ILLINOIS  
DEPARTMENT OF TRANSPORTATION

PROJECT 1 - GREEN STREET  
PAVEMENT MARKING AND SIGNING PLANS

SCALE: 1"=20' SHEET NO. OF SHEETS STA. 1011+50.00 TO STA. 1017+50.00

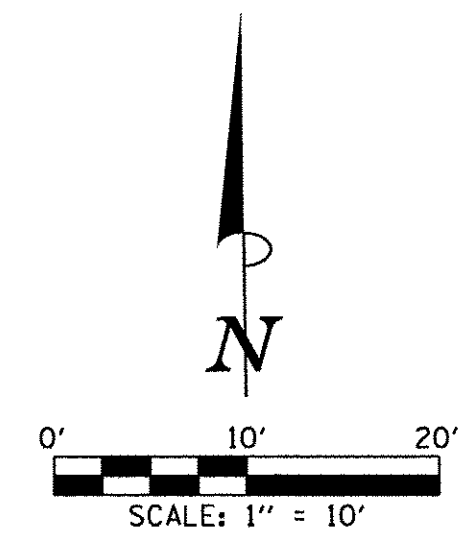
F.A.U. RTE.	SECTION	COUNTY	TOTAL SHEETS	SHEET NO.
7126	15-00304-01-PV	CHAMPAIGN	236	67
MCORE PROJECT 1		CONTRACT NO. 91539		
JOB NO. C-95-305-16 ILLINOIS FED. AID PROJECT TIG-51810571				



BIKE BOX LAYOUT DETAIL

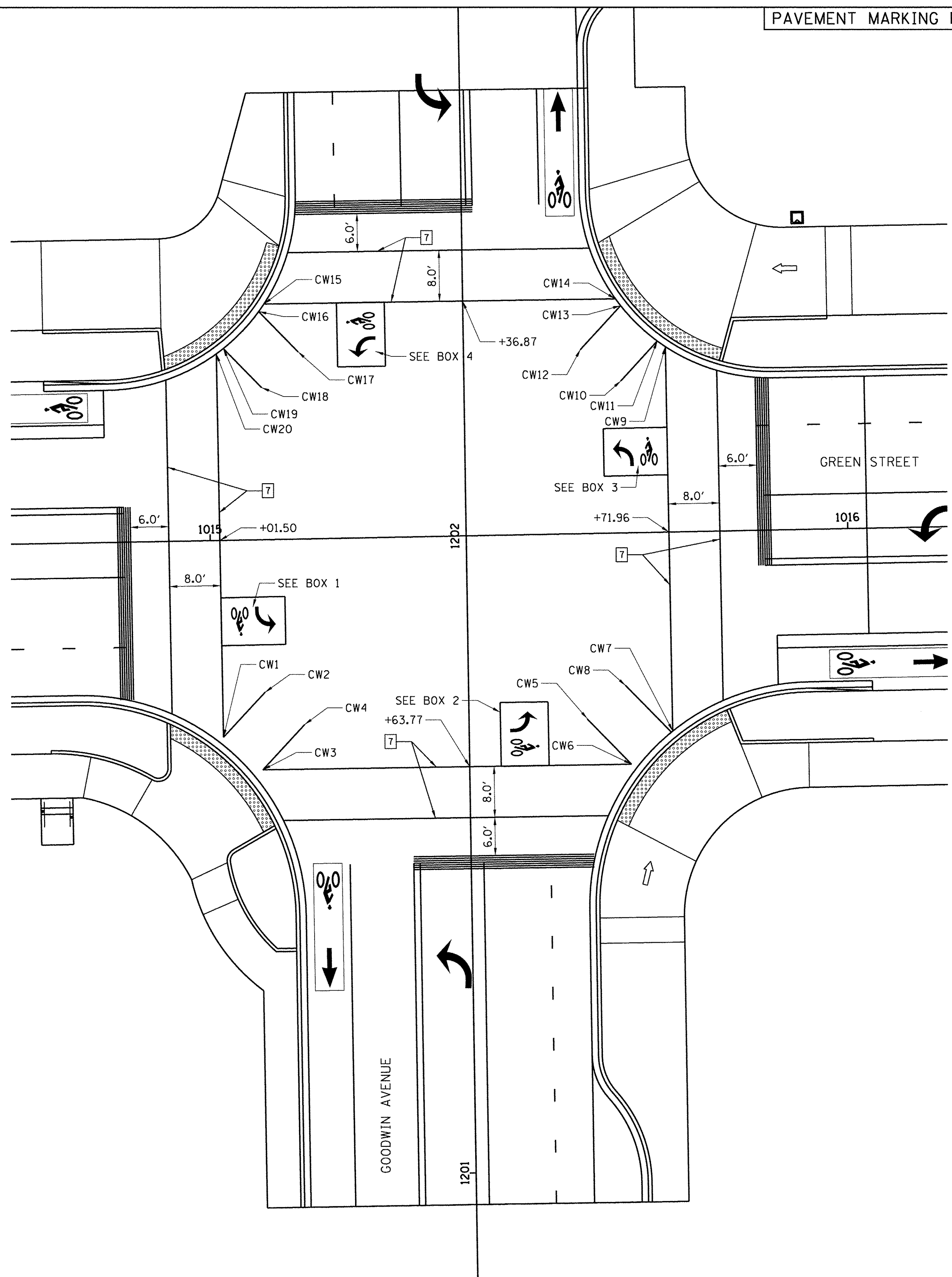
CROSSWALK LAYOUT			
PNT. NO.	STATION	OFFSET	SIDE
FROM GREEN STREET BASELINE			
CW1	1015+01.50	30.89'	RT.
CW2	1015+08.15	23.92'	RT.
CW3	1015+07.57	36.12'	RT.
CW4	1015+14.24	29.13'	RT.
CW5	1015+58.56	29.10'	RT.
CW6	1015+65.38	36.33'	RT.
CW7	1015+71.96	31.25'	RT.
CW8	1015+64.68	23.93'	RT.
CW9	1015+71.96	29.13'	LT.
CW10	1015+64.84	23.90'	LT.
CW11	1015+70.70	30.04'	LT.
CW12	1015+58.58	28.93'	LT.
CW13	1015+65.04	35.69'	LT.
CW14	1015+64.25	36.76'	LT.
CW15	1015+09.09	36.98'	LT.
CW16	1015+08.26	35.82'	LT.
CW17	1015+14.31	29.41'	LT.
CW18	1015+08.49	23.92'	LT.
CW19	1015+02.62	30.14'	LT.
CW20	1015+01.50	29.31'	LT.

NOTE: ALL PAVEMENT MARKINGS SHALL BE INLAID EXCEPT AS NOTED. COST TO INLAY MODIFIED URETHANE MARKINGS IS PAID FOR AS "GROOVING FOR RECESSED PAVEMENT MARKINGS." INLAY FOR PERFORMED THERMOPLASTIC PAVEMENT MARKINGS ARE INCLUDED WITH THAT ITEM, SEE SPECIAL PROVISIONS.



TYPICAL PAVEMENT MARKING LEGEND	
1	DOUBLE YELLOW-MODIFIED URETHANE PAVEMENT MARKING LINE - 4" SOLID, 4" GAP
2	YELLOW-MODIFIED URETHANE PAVEMENT MARKING LINE - 4" SOLID
3	YELLOW-MODIFIED URETHANE PAVEMENT MARKING LINE - 10' LONG, 30' GAP - 4"
4	YELLOW-MODIFIED URETHANE PAVEMENT MARKING LINE - 12" (ON 45° ANGLE, 15' CTC)
5	WHITE-MODIFIED URETHANE PAVEMENT MARKING LINE - 4" SOLID
6	WHITE-MODIFIED URETHANE PAVEMENT MARKING LINE - 10' LONG, 30' GAP - 4"
7	WHITE-MODIFIED URETHANE PAVEMENT MARKING LINE - 6" SOLID
8	WHITE-MODIFIED URETHANE PAVEMENT MARKING LINE - 2' LONG, 6' GAP - 6"
9	WHITE-MODIFIED URETHANE PAVEMENT MARKING LINE - 12" SOLID
10	WHITE-MODIFIED URETHANE PAVEMENT MARKING LINE - 12" (ON 45° ANGLE, 15' CTC)
11	WHITE-MODIFIED URETHANE PAVEMENT MARKING LINE - 24" SOLID
12	WHITE-MODIFIED URETHANE PAVEMENT MARKING, LETTERS AND SYMBOLS (FOR LEFT AND RIGHT TURN LANE ONE ARROW 20' FROM FRONT OF STORAGE AND ONE ARROW AT BACK OF STORAGE AS SHOWN)
13	PERFORMED THERMOPLASTIC PAVEMENT MARKING - SEE BICYCLE LANE MARKING DETAIL
14	PERFORMED THERMOPLASTIC PAVEMENT MARKING - SEE BIKE LANE EXTENSION DETAIL
15	PERFORMED THERMOPLASTIC PAVEMENT MARKING - SEE BIKE BOX LAYOUT DETAIL
16	WHITE-MODIFIED URETHANE PAVEMENT MARKING, LETTERS AND SYMBOLS - SEE BUS ONLY DETAIL
17	PERFORMED THERMOPLASTIC PAVEMENT MARKING - WHITE - 6" SOLID
18	WHITE-MODIFIED URETHANE PAVEMENT MARKING LINE - 2' LONG, 6' GAP - 4"

NOTE: ALL PAVEMENT SHALL BE GROOVED FOR RECESSED PAVEMENT MARKINGS.



© Copyright Hanson Professional Services Inc. 2016  
**HANSON**  
 Hanson Professional Services Inc.

LAYOUT	BWW	11/24/15
DRAWN	RLA	8/24/16
REVIEWED	MGD	8/25/16

FILE NAME =	Z:\Plans\sheets\Project1\p1-sht-pvtmark04.dgn
DESIGNED -	BWW
DRAWN -	RLA
CHECKED -	MGD
DATE -	8/26/2016
REVISOR -	
REVISION -	

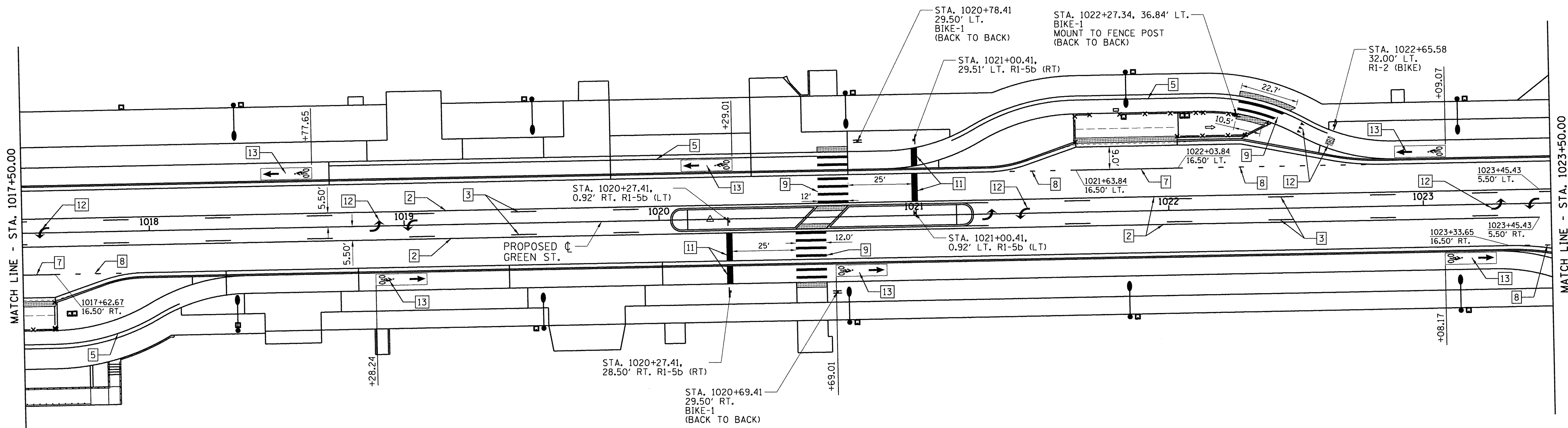
DESIGNED -	BWW	REVISOR -	
DRAWN -	RLA	REVISION -	
CHECKED -	MGD	REVISION -	
DATE -	8/26/2016	REVISION -	

STATE OF ILLINOIS  
 DEPARTMENT OF TRANSPORTATION

**PROJECT 1 - GREEN STREET**  
**PAVEMENT MARKING PLANS - GOODWIN INTERSECTION**

SCALE: 1"=10'    SHEET NO.    OF    SHEETS    STA.    TO    STA.

F.A.U. RTE.	SECTION	COUNTY	TOTAL SHEETS	SHEET NO.
7126	15-00304-01-PV	CHAMPAIGN	236	68
MCORE PROJECT 1		CONTRACT NO. 91539		
JOB NO. C-95-305-16    ILLINOIS FED. AID PROJECT TIG-51810571				

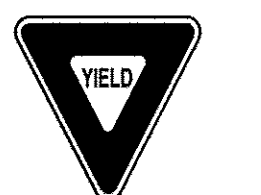
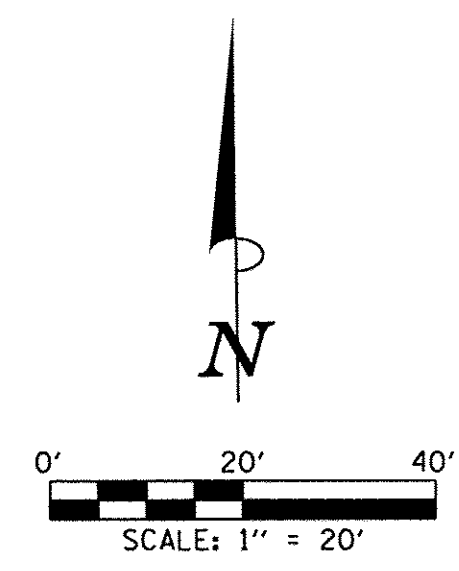


NOTE: ALL PAVEMENT MARKINGS SHALL BE INLAID EXCEPT AS NOTED. COST TO INLAY MODIFIED URETHANE MARKINGS IS PAID FOR AS "GROOVING FOR RECESSED PAVEMENT MARKINGS." INLAY FOR PREFORMED THERMOPLASTIC PAVEMENT MARKINGS ARE INCLUDED WITH THAT ITEM, SEE SPECIAL PROVISIONS.

TYPICAL PAVEMENT MARKING LEGEND

- 1 DOUBLE YELLOW-MODIFIED URETHANE PAVEMENT MARKING LINE - 4" SOLID, 4" GAP
- 2 YELLOW-MODIFIED URETHANE PAVEMENT MARKING LINE - 4" SOLID
- 3 YELLOW-MODIFIED URETHANE PAVEMENT MARKING LINE - 10' LONG, 30' GAP - 4"
- 4 YELLOW-MODIFIED URETHANE PAVEMENT MARKING LINE - 12" (ON 45° ANGLE, 15' CTC)
- 5 WHITE-MODIFIED URETHANE PAVEMENT MARKING LINE - 4" SOLID
- 6 WHITE-MODIFIED URETHANE PAVEMENT MARKING LINE - 10' LONG, 30' GAP - 4"
- 7 WHITE-MODIFIED URETHANE PAVEMENT MARKING LINE - 6" SOLID
- 8 WHITE-MODIFIED URETHANE PAVEMENT MARKING LINE - 2' LONG, 6' GAP - 6"
- 9 WHITE-MODIFIED URETHANE PAVEMENT MARKING LINE - 12" SOLID
- 10 WHITE-MODIFIED URETHANE PAVEMENT MARKING LINE - 12" (ON 45° ANGLE, 15' CTC)
- 11 WHITE-MODIFIED URETHANE PAVEMENT MARKING LINE - 24" SOLID
- 12 WHITE-MODIFIED URETHANE PAVEMENT MARKING, LETTERS AND SYMBOLS (FOR LEFT AND RIGHT TURN LANE ONE ARROW 20' FROM FRONT OF STORAGE AND ONE ARROW AT BACK OF STORAGE AS SHOWN)
- 13 PREFORMED THERMOPLASTIC PAVEMENT MARKING - SEE BICYCLE LANE MARKING DETAIL
- 14 PREFORMED THERMOPLASTIC PAVEMENT MARKING - SEE BIKE LANE EXTENSION DETAIL
- 15 PREFORMED THERMOPLASTIC PAVEMENT MARKING - SEE BIKE BOX LAYOUT DETAIL
- 16 WHITE-MODIFIED URETHANE PAVEMENT MARKING, LETTERS AND SYMBOLS - SEE BUS ONLY DETAIL
- 17 PREFORMED THERMOPLASTIC PAVEMENT MARKING - WHITE - 6" SOLID
- 18 WHITE-MODIFIED URETHANE PAVEMENT MARKING LINE - 2' LONG, 6' GAP - 4"

NOTE: ALL PAVEMENT SHALL BE GROOVED FOR RECESSED PAVEMENT MARKINGS.



R1-2 (BIKE)  
18" X 18" X 18"



R1-5b (LT)  
36"X36"



R1-5b (RT)  
36"X36"



BIKE-1  
(SEE DETAIL)

LAYOUT	BWW	11/24/15
DRAWN	RLA	8/24/16
REVIEWED	MGD	8/25/16

FILE NAME = Z:\Plans\Sheets\Project1\P1-sht-pvtmark05.dgn  
PLOT DATE = 8/25/2016 1:38:13 PM

DESIGNED - BWW  
DRAWN - RLA  
CHECKED - MGD  
DATE - 8/26/2016

REVISED -  
REVISED -  
REVISED -  
REVISED -

STATE OF ILLINOIS  
DEPARTMENT OF TRANSPORTATION

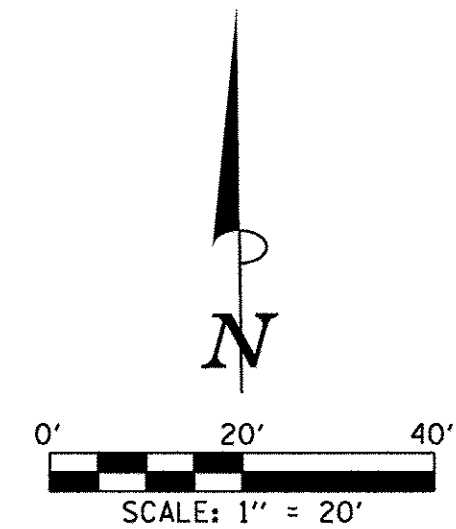
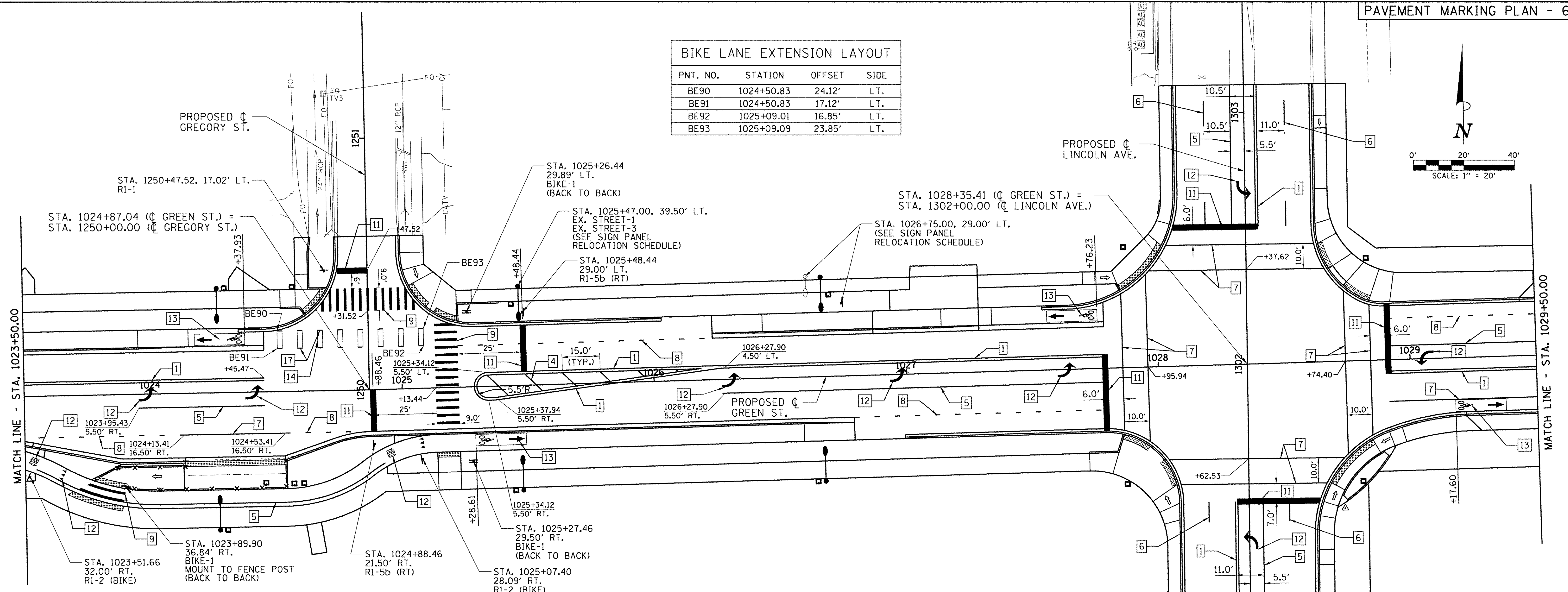
PROJECT 1 - GREEN STREET  
PAVEMENT MARKING AND SIGNING PLANS

SCALE: 1"=20' SHEET NO. OF SHEETS STA. 1017+50.00 TO STA. 1023+50.00

F.A.U. RTE.	SECTION	COUNTY	TOTAL SHEETS	SHEET NO.
7126	15-00304-01-PV	CHAMPAIGN	236	69
MCORE PROJECT 1			CONTRACT NO. 91539	
JOB NO. C-95-305-16 ILLINOIS FED. AID PROJECT TIG-5181057				

**BIKE LANE EXTENSION LAYOUT**

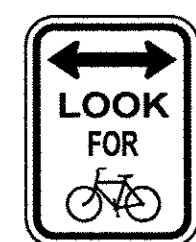
PNT. NO.	STATION	OFFSET	SIDE
BE90	1024+50.83	24.12'	LT.
BE91	1024+50.83	17.12'	LT.
BE92	1025+09.01	16.85'	LT.
BE93	1025+09.09	23.85'	LT.



**TYPICAL PAVEMENT MARKING LEGEND**

- 1 DOUBLE YELLOW-MODIFIED URETHANE PAVEMENT MARKING LINE - 4" SOLID, 4" GAP
- 2 YELLOW-MODIFIED URETHANE PAVEMENT MARKING LINE - 4" SOLID
- 3 YELLOW-MODIFIED URETHANE PAVEMENT MARKING LINE - 10' LONG, 30' GAP - 4"
- 4 YELLOW-MODIFIED URETHANE PAVEMENT MARKING LINE - 12" (ON 45° ANGLE, 15' CTC)
- 5 WHITE-MODIFIED URETHANE PAVEMENT MARKING LINE - 4" SOLID
- 6 WHITE-MODIFIED URETHANE PAVEMENT MARKING LINE - 10' LONG, 30' GAP - 4"
- 7 WHITE-MODIFIED URETHANE PAVEMENT MARKING LINE - 6" SOLID
- 8 WHITE-MODIFIED URETHANE PAVEMENT MARKING LINE - 2' LONG, 6' GAP - 6"
- 9 WHITE-MODIFIED URETHANE PAVEMENT MARKING LINE - 12" SOLID
- 10 WHITE-MODIFIED URETHANE PAVEMENT MARKING LINE - 12" (ON 45° ANGLE, 15' CTC)
- 11 WHITE-MODIFIED URETHANE PAVEMENT MARKING LINE - 24" SOLID
- 12 WHITE-MODIFIED URETHANE PAVEMENT MARKING, LETTERS AND SYMBOLS (FOR LEFT AND RIGHT TURN LANE ONE ARROW 20' FROM FRONT OF STORAGE AND ONE ARROW AT BACK OF STORAGE AS SHOWN)
- 13 PREFORMED THERMOPLASTIC PAVEMENT MARKING - SEE BICYCLE LANE MARKING DETAIL
- 14 PREFORMED THERMOPLASTIC PAVEMENT MARKING - SEE BIKE LANE EXTENSION DETAIL
- 15 PREFORMED THERMOPLASTIC PAVEMENT MARKING - SEE BIKE BOX LAYOUT DETAIL
- 16 WHITE-MODIFIED URETHANE PAVEMENT MARKING, LETTERS AND SYMBOLS - SEE BUS ONLY DETAIL
- 17 PREFORMED THERMOPLASTIC PAVEMENT MARKING - WHITE - 6" SOLID
- 18 WHITE-MODIFIED URETHANE PAVEMENT MARKING LINE - 2' LONG, 6' GAP - 4"

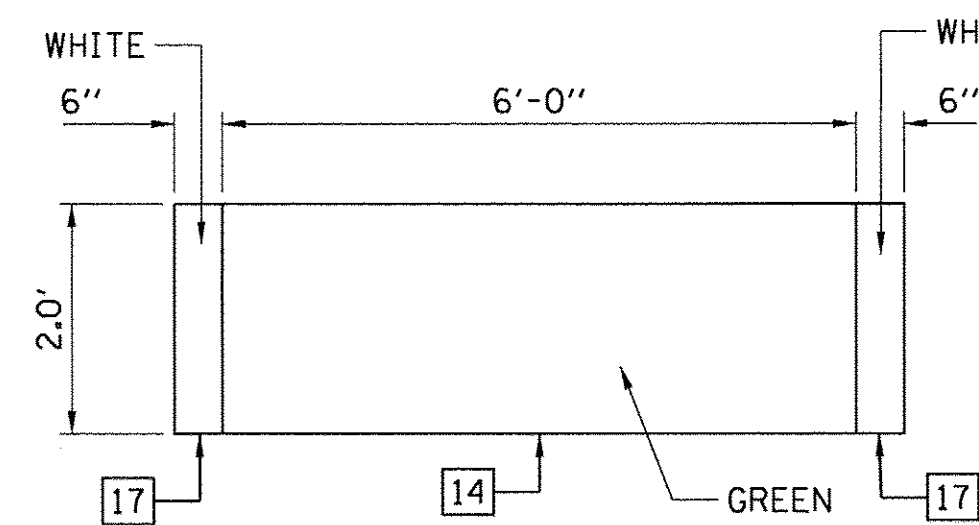
•NOTE: ALL PAVEMENT MARKINGS SHALL BE INLAID EXCEPT AS NOTED. COST TO INLAY MODIFIED URETHANE MARKINGS IS PAID FOR AS "GROOVING FOR RECESSED PAVEMENT MARKINGS." INLAY FOR PREFORMED THERMOPLASTIC PAVEMENT MARKINGS ARE INCLUDED WITH THAT ITEM, SEE SPECIAL PROVISIONS.



**Green St**  
EX. STREET-1

**Gregory St**  
EX. STREET-3

SEE SIGN PANEL  
RELOCATION SCHEDULE



•NOTE: ALL PAVEMENT SHALL BE GROOVED FOR RECESSED PAVEMENT MARKINGS.

LAYOUT	BWW	11/24/15
DRAWN	RLA	8/24/16
REVIEWED	MGD	8/25/16

FILE NAME = Z:\Plans\Sheets\Project1\PI-sht-pvtmark06.dgn  
PLOT DATE = 8/25/2016 1:38:51 PM

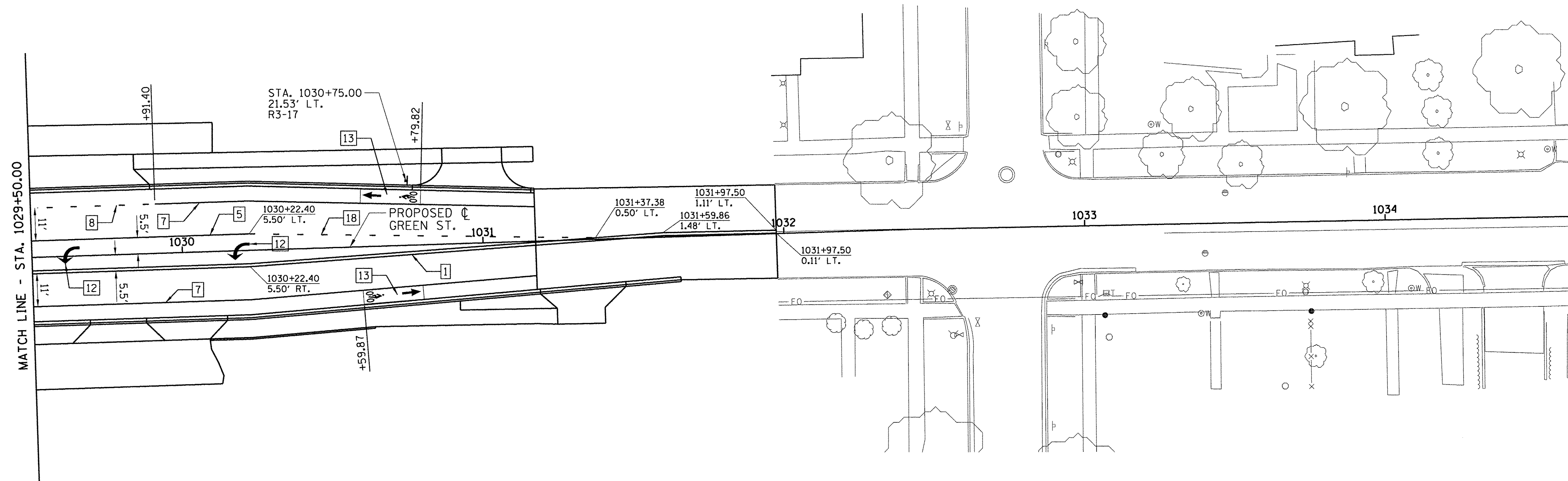
DESIGNED	BWW	REVISED	-
DRAWN	RLA	REVISED	-
CHECKED	MGD	REVISED	-
DATE	8/26/2016	REVISED	-

STATE OF ILLINOIS  
DEPARTMENT OF TRANSPORTATION

PROJECT 1 - GREEN STREET  
PAVEMENT MARKING AND SIGNING PLANS

SCALE: 1"=20' SHEET NO. OF SHEETS STA. 1023+50.00 TO STA. 1029+50.00

F.A.U. RTE.	SECTION	COUNTY	TOTAL SHEETS	SHEET NO.
7126	15-00304-01-PV	CHAMPAIGN	236	70
MCORE PROJECT 1			CONTRACT NO. 91539	
JOB NO. C-95-305-16 ILLINOIS FED. AID PROJECT TIG-5181057				



NOTE: ALL PAVEMENT MARKINGS SHALL BE INLAID EXCEPT AS NOTES. COST TO INLAY MODIFIED URETHANE MARKINGS IS PAID FOR AS "GROOVING FOR RECESSED PAVEMENT MARKINGS." INLAY FOR PREFORMED THERMOPLASTIC PAVEMENT MARKINGS ARE INCLUDED WITH THAT ITEM, SEE SPECIAL PROVISIONS.

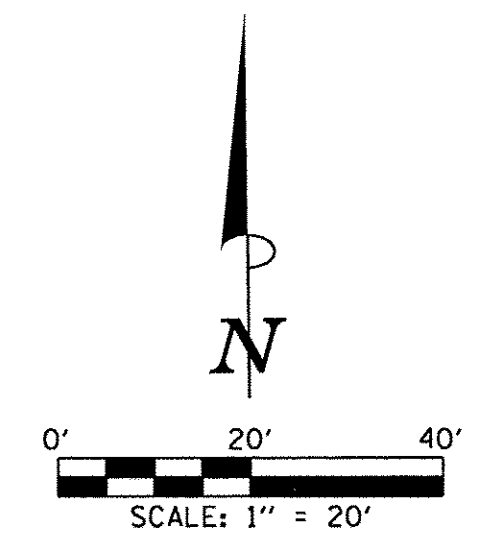
TYPICAL PAVEMENT MARKING LEGEND

- 1 DOUBLE YELLOW-MODIFIED URETHANE PAVEMENT MARKING LINE - 4" SOLID, 4" GAP
- 2 YELLOW-MODIFIED URETHANE PAVEMENT MARKING LINE - 4" SOLID
- 3 YELLOW-MODIFIED URETHANE PAVEMENT MARKING LINE - 10' LONG, 30' GAP - 4"
- 4 YELLOW-MODIFIED URETHANE PAVEMENT MARKING LINE - 12" (ON 45° ANGLE, 15' CTC)
- 5 WHITE-MODIFIED URETHANE PAVEMENT MARKING LINE - 4" SOLID
- 6 WHITE-MODIFIED URETHANE PAVEMENT MARKING LINE - 10' LONG, 30' GAP - 4"
- 7 WHITE-MODIFIED URETHANE PAVEMENT MARKING LINE - 6" SOLID
- 8 WHITE-MODIFIED URETHANE PAVEMENT MARKING LINE - 2' LONG, 6' GAP - 6"
- 9 WHITE-MODIFIED URETHANE PAVEMENT MARKING LINE - 12" SOLID
- 10 WHITE-MODIFIED URETHANE PAVEMENT MARKING LINE - 12" (ON 45° ANGLE, 15' CTC)
- 11 WHITE-MODIFIED URETHANE PAVEMENT MARKING LINE - 24" SOLID
- 12 WHITE-MODIFIED URETHANE PAVEMENT MARKING, LETTERS AND SYMBOLS (FOR LEFT AND RIGHT TURN LANE ONE ARROW 20' FROM FRONT OF STORAGE AND ONE ARROW AT BACK OF STORAGE AS SHOWN)
- 13 PREFORMED THERMOPLASTIC PAVEMENT MARKING - SEE BICYCLE LANE MARKING DETAIL
- 14 PREFORMED THERMOPLASTIC PAVEMENT MARKING - SEE BIKE LANE EXTENSION DETAIL
- 15 PREFORMED THERMOPLASTIC PAVEMENT MARKING - SEE BIKE BOX LAYOUT DETAIL
- 16 WHITE-MODIFIED URETHANE PAVEMENT MARKING, LETTERS AND SYMBOLS - SEE BUS ONLY DETAIL
- 17 PREFORMED THERMOPLASTIC PAVEMENT MARKING - WHITE - 6" SOLID
- 18 WHITE-MODIFIED URETHANE PAVEMENT MARKING LINE - 2' LONG, 6' GAP - 4"

NOTE: ALL PAVEMENT SHALL BE GROOVED FOR RECESSED PAVEMENT MARKINGS.



R3-17  
24"x18"



© Copyright Hanson Professional Services Inc. 2016  
**HANSON**  
 Hanson Professional Services Inc.

LAYOUT	BWW	11/24/15
DRAWN	RLA	8/24/16
REVIEWED	MGD	8/25/16

FILE NAME = Z:\Plans\Sheets\Project1\P1-sht-pvmark07.dgn  
 PLOT DATE = 8/25/2016 1:38:55 PM

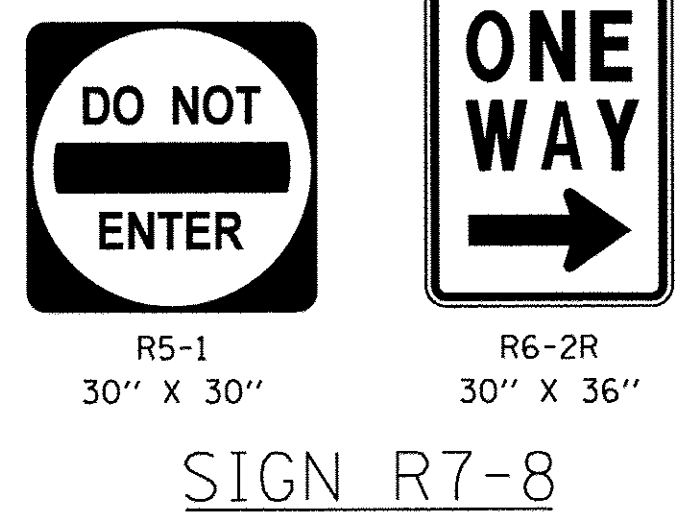
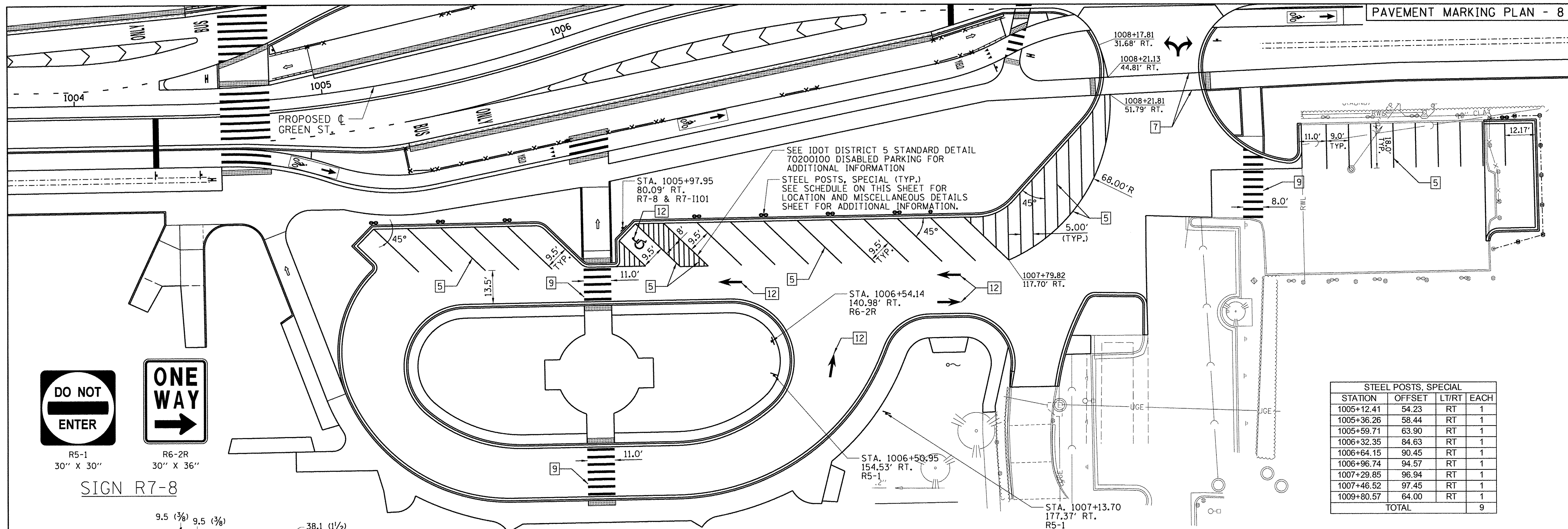
DESIGNED - BWW	REVISED -
DRAWN - RLA	REVISED -
CHECKED - MGD	REVISED -
DATE - 8/26/2016	REVISED -

STATE OF ILLINOIS  
DEPARTMENT OF TRANSPORTATION

PROJECT 1 - GREEN STREET  
PAVEMENT MARKING AND SIGNING PLANS

SCALE: 1"=20' SHEET NO. OF SHEETS STA. 1029+50.00 TO STA. 1031+97.50

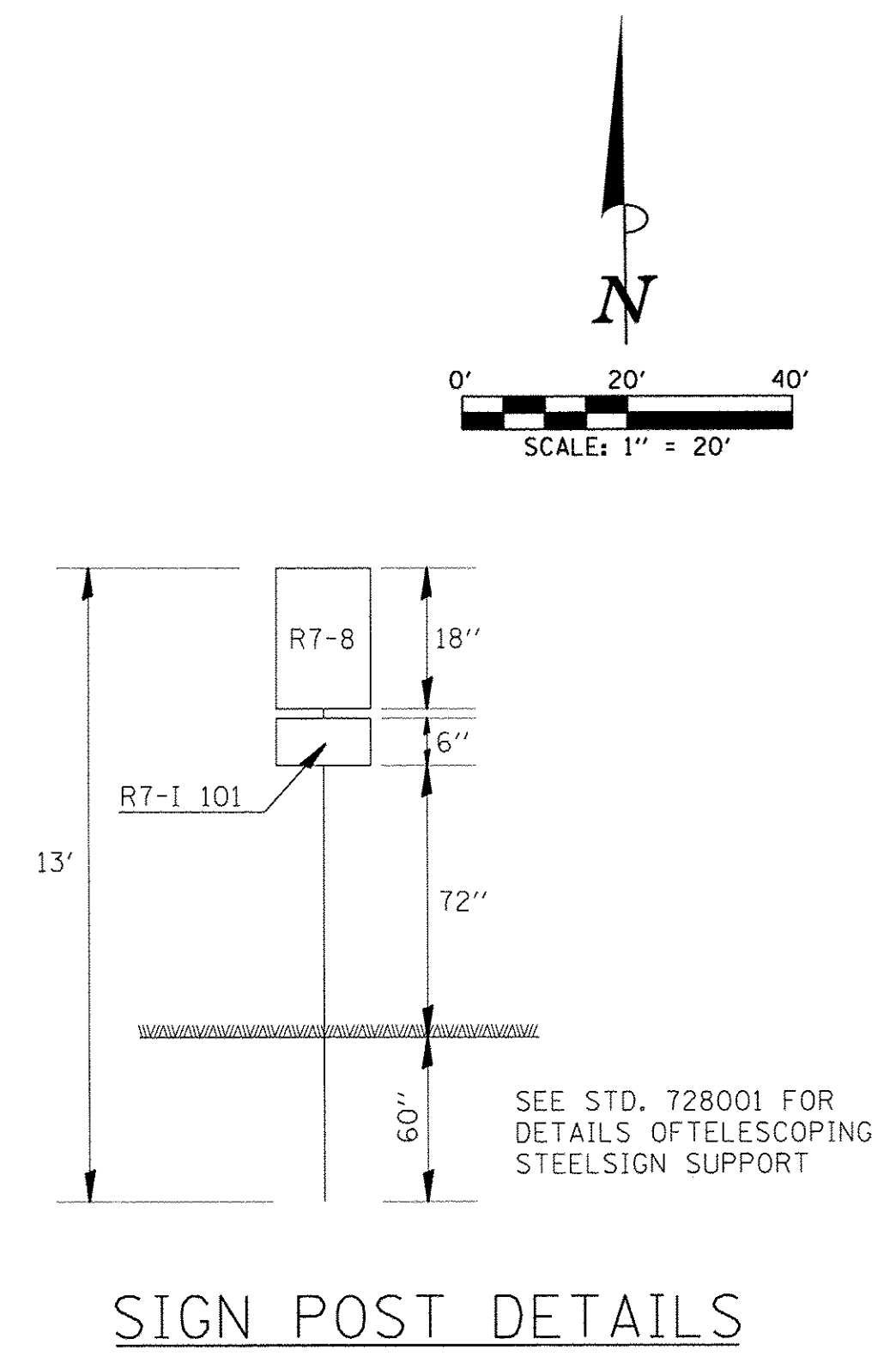
F.A.U. RTE.	SECTION	COUNTY	TOTAL SHEETS	SHEET NO.
7126	15-00304-01-PV	CHAMPAIGN	236	71
MCORE PROJECT 1			CONTRACT NO. 91539	
JOB NO. C-95-305-16 ILLINOIS FED. AID PROJECT T16-5181057				



SIGN SIZE	DIMENSIONS							
	A	B	C	D	E	F	G	H
152.4 x 304.8 (6 x 12)	340.8 (12)	152.4 (6)	38.1 (1.5)	114.3 (4.5)	29.2 (1.15)	86.4 (3.4)	116.8 (4.6)	101.6 (4.0)

SIGN SIZE	SERIES Lines	Margin	Border	BLK Std
152.4 x 304.8 (6 x 12)	1/3A	9.5 (0.37)	9.5 (0.37)	B5-126



NOTE: PAVEMENT MARKING IN ILLINI UNION PARKING LOT SHALL NOT BE RECESSED. THIS SHEET ONLY.

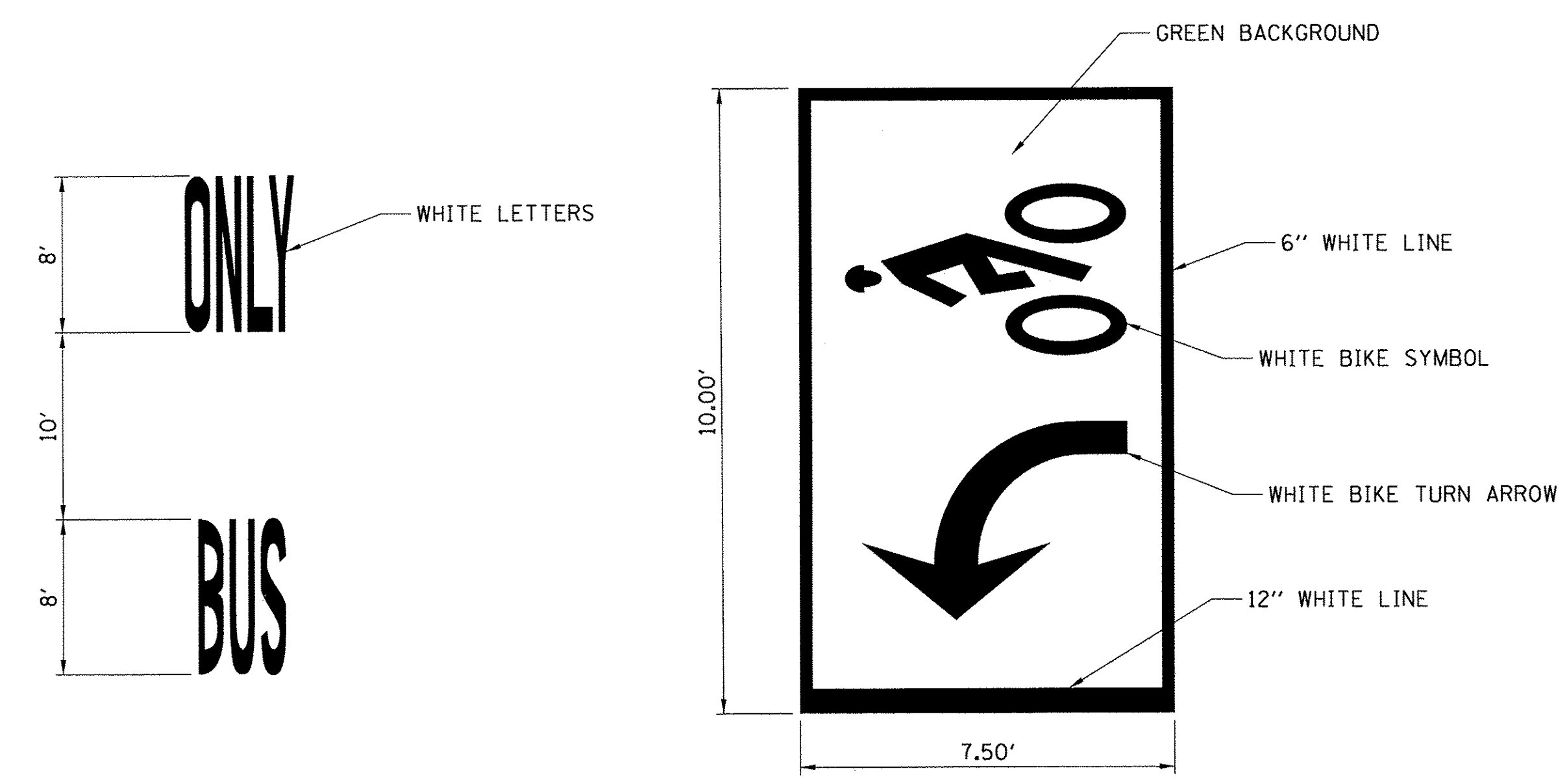
TYPICAL PAVEMENT MARKING LEGEND

- DOUBLE YELLOW-MODIFIED URETHANE PAVEMENT MARKING LINE - 4" SOLID, 4" GAP
- YELLOW-MODIFIED URETHANE PAVEMENT MARKING LINE - 4" SOLID
- YELLOW-MODIFIED URETHANE PAVEMENT MARKING LINE - 10' LONG, 30' GAP - 4"
- YELLOW-MODIFIED URETHANE PAVEMENT MARKING LINE - 12" (ON 45° ANGLE, 15' CTC)
- WHITE-MODIFIED URETHANE PAVEMENT MARKING LINE - 4" SOLID
- WHITE-MODIFIED URETHANE PAVEMENT MARKING LINE - 10' LONG, 30' GAP - 4"
- WHITE-MODIFIED URETHANE PAVEMENT MARKING LINE - 6" SOLID
- WHITE-MODIFIED URETHANE PAVEMENT MARKING LINE - 2' LONG, 6' GAP - 6"
- WHITE-MODIFIED URETHANE PAVEMENT MARKING LINE - 12" SOLID
- WHITE-MODIFIED URETHANE PAVEMENT MARKING LINE - 12" (ON 45° ANGLE, 15' CTC)
- WHITE-MODIFIED URETHANE PAVEMENT MARKING LINE - 24" SOLID
- WHITE-MODIFIED URETHANE PAVEMENT MARKING, LETTERS AND SYMBOLS (FOR LEFT AND RIGHT TURN LANE ONE ARROW 20' FROM FRONT OF STORAGE AND ONE ARROW AT BACK OF STORAGE AS SHOWN)
- PREFORMED THERMOPLASTIC PAVEMENT MARKING - SEE BICYCLE LANE MARKING DETAIL
- PREFORMED THERMOPLASTIC PAVEMENT MARKING - SEE BIKE LANE EXTENSION DETAIL
- PREFORMED THERMOPLASTIC PAVEMENT MARKING - SEE BIKE BOX LAYOUT DETAIL
- WHITE-MODIFIED URETHANE PAVEMENT MARKING, LETTERS AND SYMBOLS - SEE BUS ONLY DETAIL
- PREFORMED THERMOPLASTIC PAVEMENT MARKING - WHITE - 6" SOLID
- WHITE-MODIFIED URETHANE PAVEMENT MARKING LINE - 2' LONG, 6' GAP - 4"

© Copyright Hanson Professional Services Inc. 2016  
**HANSON**  
Hanson Professional Services Inc.

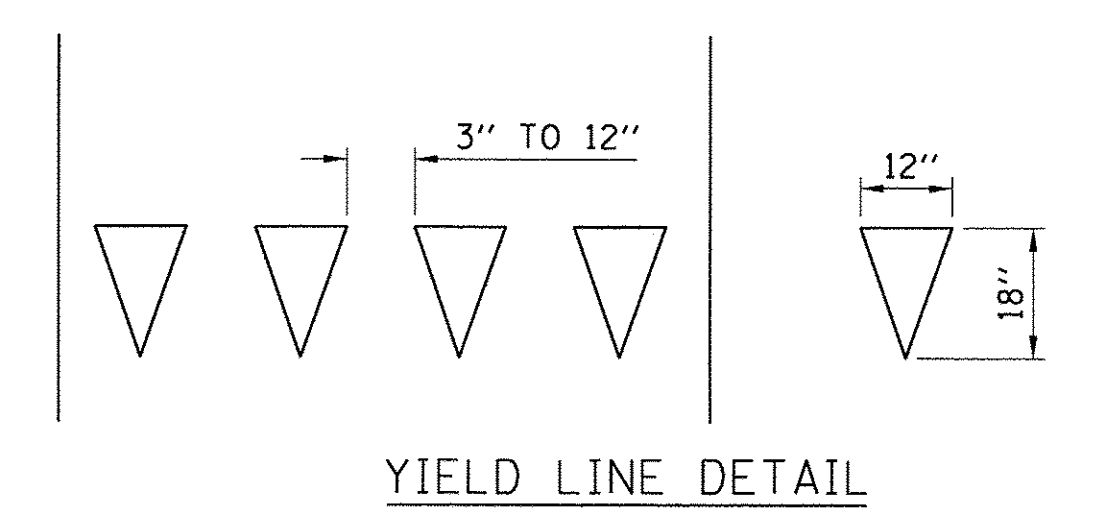
LAYOUT	BWW	11/24/15
DRAWN	RLA	8/24/16
REVIEWED	MGD	8/25/16



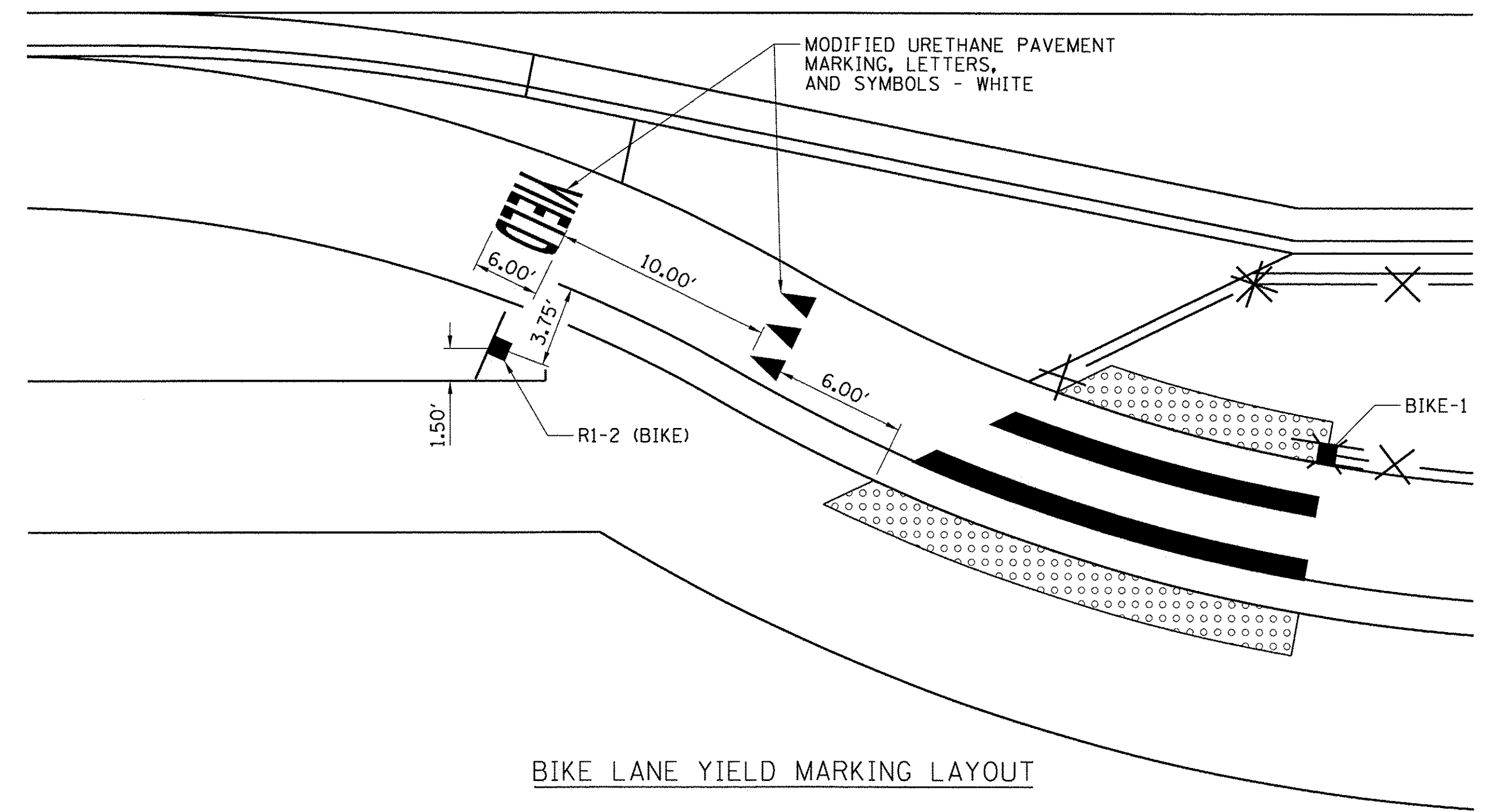


**BUS ONLY DETAIL**  
(WHITE-MODIFIED URETHANE PAVEMENT MARKING, LETTERS AND SYMBOLS)

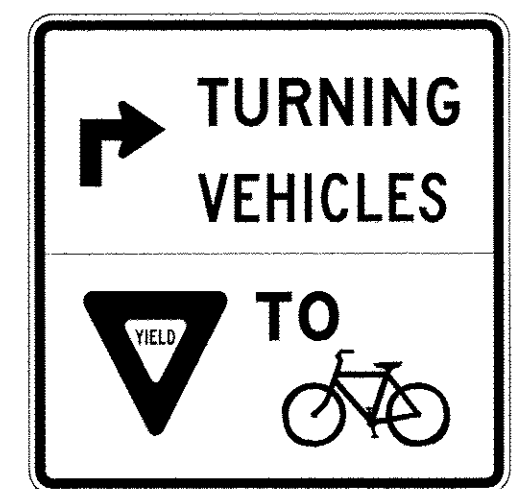
**2-STAGE QUEUE PAVEMENT MARKING**  
(PERFORMED THERMOPLASTIC PAVEMENT MARKING - GREEN WITH EMBEDDED WHITE SYMBOL)



**YIELD LINE DETAIL**

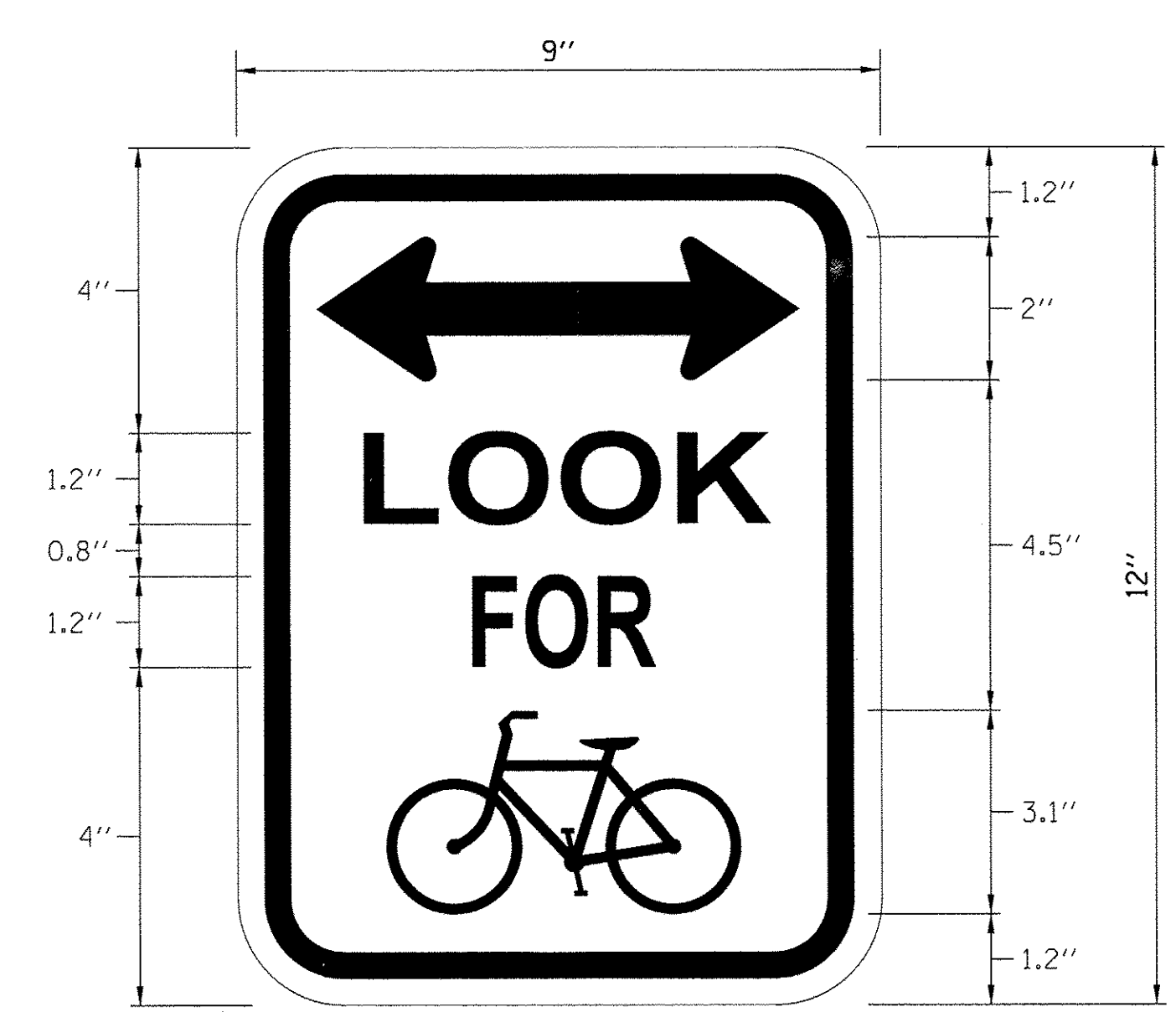


**BIKE LANE YIELD MARKING LAYOUT**

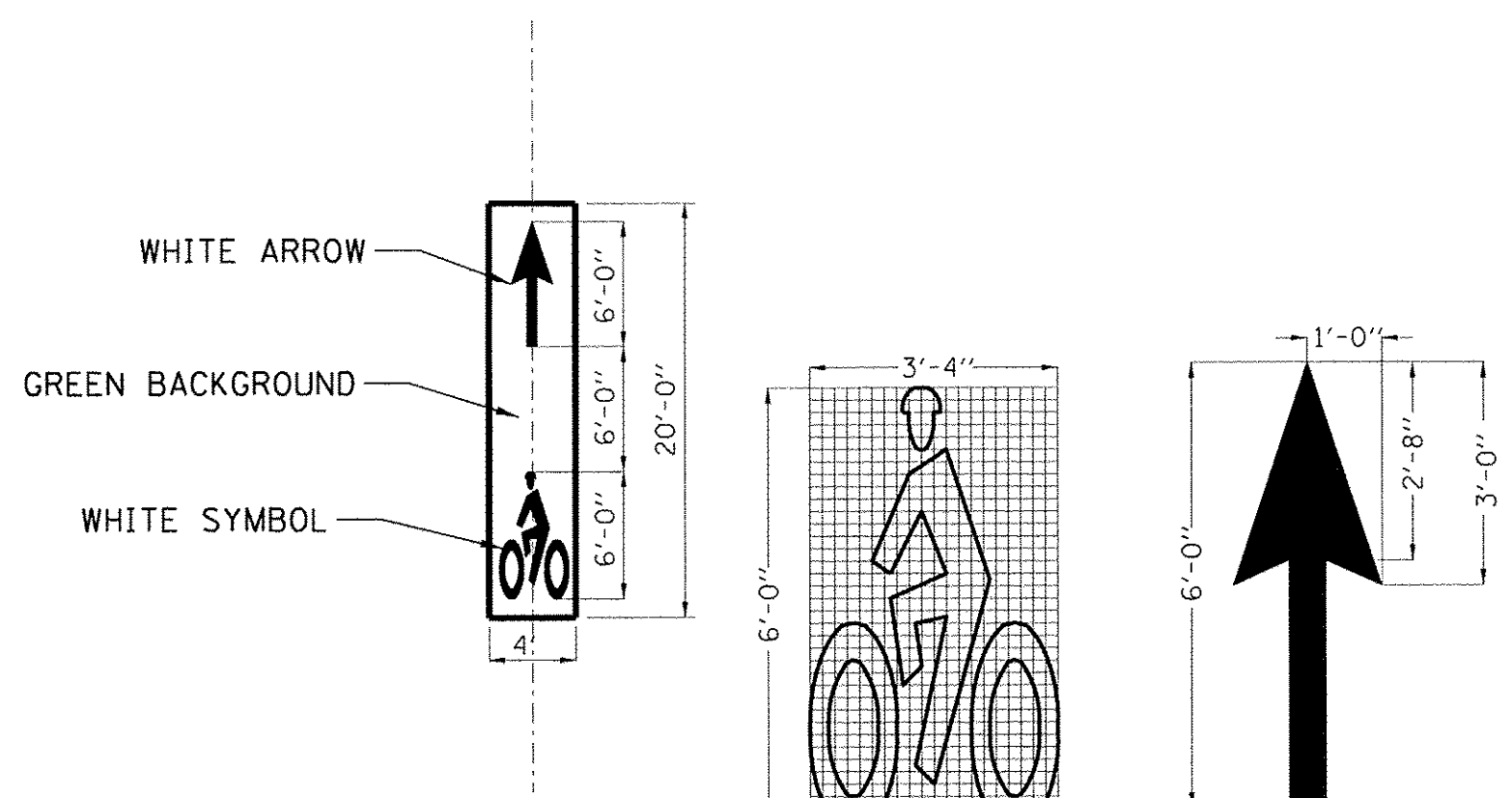


**TURNING VEHICLES YIELD TO BIKES (BIKE-2)**

30"X30"  
(R10-15a)



**BIKES USE BIKE SIGNAL SIGN (BIKE-1)**



**BICYCLE LANE MARKING LAYOUT**

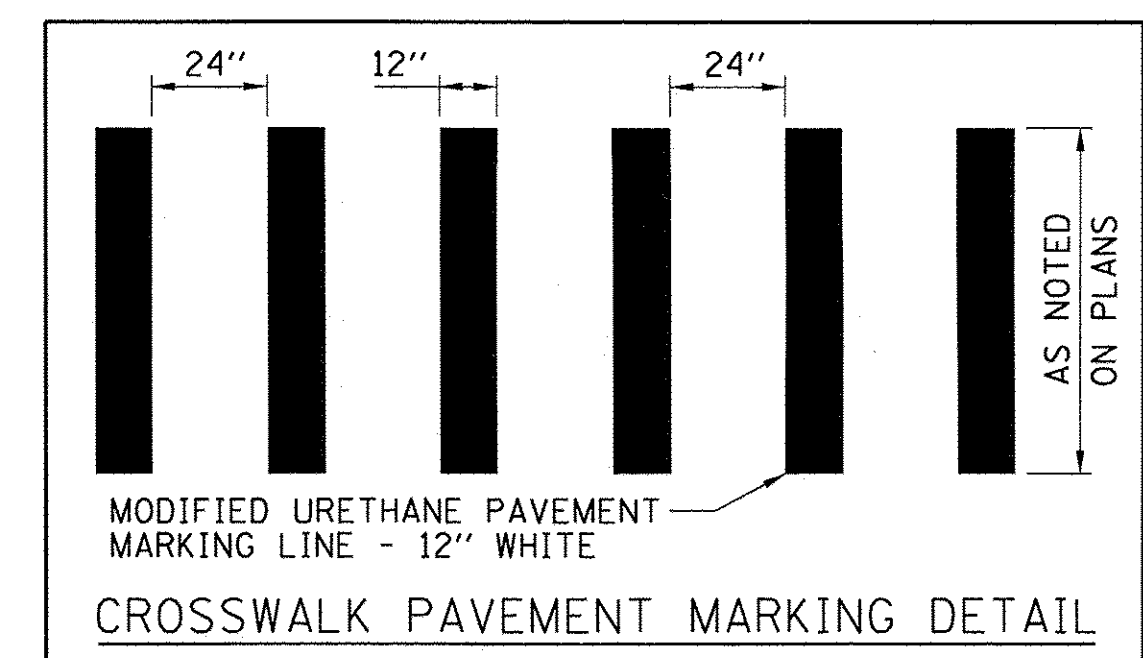
**BIKE RIDER SYMBOL DETAIL**  
6.6 SQ FT

**BIKE LANE ARROW DETAIL**  
4.3 SQ FT

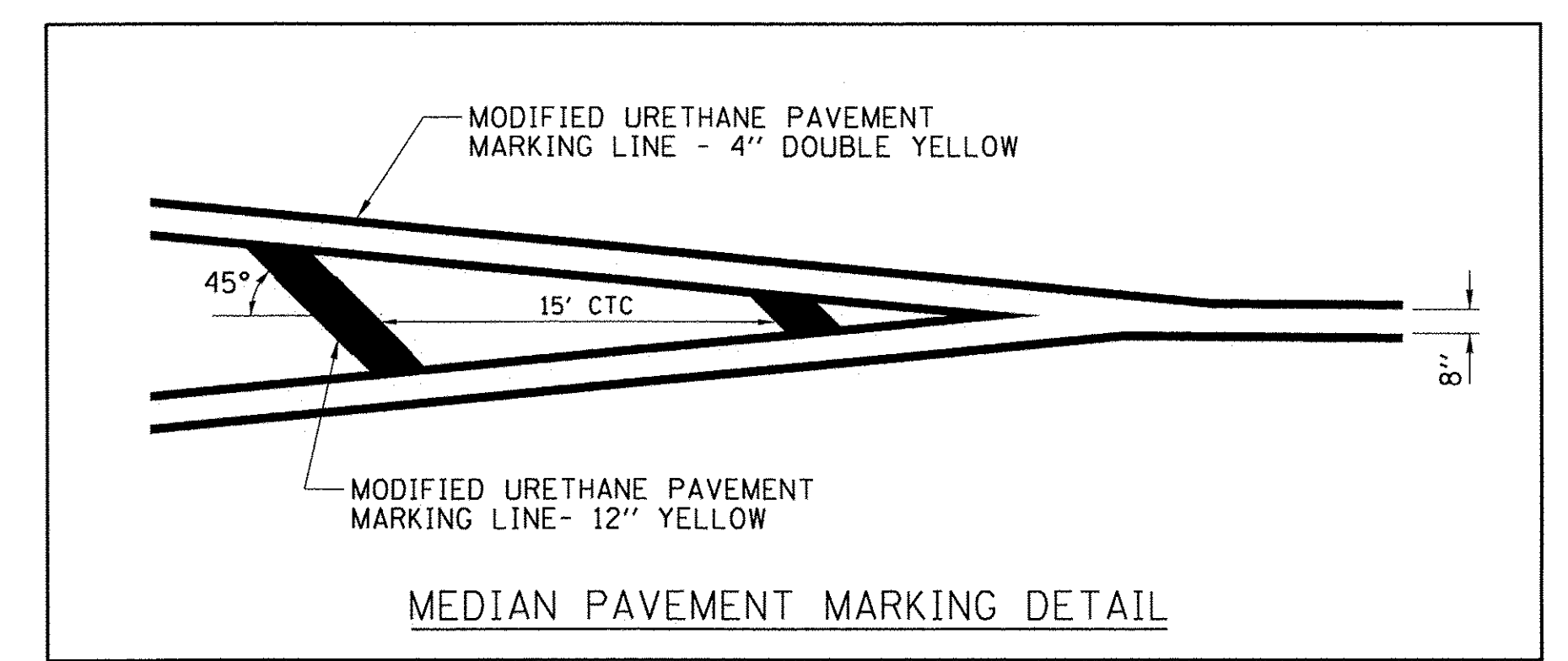
**NOTES:**

- BICYCLE LANE MARKINGS SHALL CONSIST OF BIKE RIDER SYMBOL AND BIKE LANE ARROW AND WILL BE PAID FOR AT THE CONTRACT UNIT PRICE PER EACH FOR BICYCLE LANE MARKING.
- PAID FOR AS: PERFORMED THERMOPLASTIC PAVEMENT MARKING - GREEN WITH EMBEDDED WHITE SYMBOL.
- BICYCLE LANE MARKINGS SHALL HAVE A GREEN BACKGROUND. (SEE SPECIAL PROVISIONS)

**BICYCLE LANE MARKING**  
(WHITE)



**CROSSWALK PAVEMENT MARKING DETAIL**



**MEDIAN PAVEMENT MARKING DETAIL**

© Copyright Hanson Professional Services Inc. 2016  
**HANSON**  
Hanson Professional Services Inc.

LAYOUT	BWW	11/24/15
DRAWN	RLA	8/24/16
REVIEWED	MGD	8/25/16

FILE NAME = Z:\Plans\sheets\Project1\p1-sht-pvtmark09.dgn  
PLOT DATE = 8/25/2016 1:39:08 PM

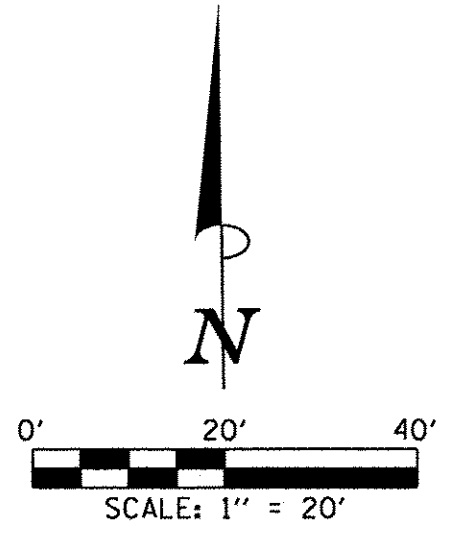
DESIGNED - BWW	REVISED -
DRAWN - RLA	REVISED -
CHECKED - MGD	REVISED -
DATE - 8/26/2016	REVISED -

STATE OF ILLINOIS  
DEPARTMENT OF TRANSPORTATION

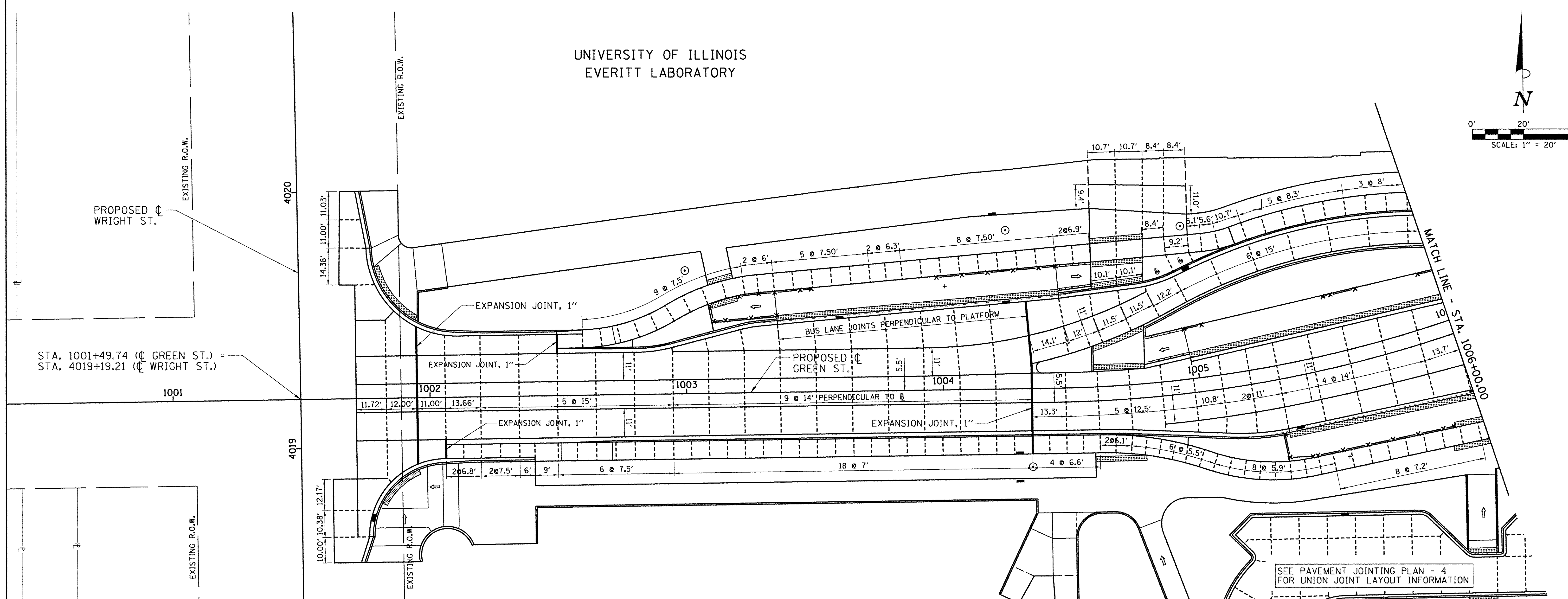
PROJECT 1 - GREEN STREET  
PAVEMENT MARKING DETAILS

SCALE: N/A	SHEET NO. OF SHEETS	STA. TO STA.
------------	---------------------	--------------

F.A.U. RTE. 7126	SECTION 15-00304-01-PV	COUNTY CHAMPAIGN	TOTAL SHEETS 236	SHEET NO. 73
MCORE PROJECT 1		CONTRACT NO. 91539		
JOB NO. C-95-305-16   ILLINOIS   FED. AID PROJECT TIG-5181057				



UNIVERSITY OF ILLINOIS  
EVERITT LABORATORY



© Copyright Hanson Professional Services Inc. 2016  
**HANSON**  
 Hanson Professional Services Inc.

**NOTES**

1. ON GREEN STREET THE CURB AND GUTTER SHALL NOT BE POURED MONOLITHIC WITH THE PCC PAVEMENT EXCEPT AT THE STUB LOCATIONS. TIE BARS BETWEEN THE PAVEMENT AND THE CURB AND GUTTER WILL BE REQUIRED.
2. ALL SAWED TRANSVERSE CONTRACTION JOINTS AND EXPANSION JOINTS IN THE PAVEMENT MUST EXTEND THROUGH THE CURB AND GUTTER.
3. ALL SAWED JOINTS IN THE PCC PAVEMENT AND THE COMBINATION CONCRETE CURB AND GUTTER SHALL BE SEALED WITH A JOINT SEALER MEETING THE REQUIREMENTS OF ARTICLES 420.02 AND 606.06 OF THE STANDARD SPECIFICATIONS.
4. WHEN LONGITUDINAL CONSTRUCTION JOINTS ARE CONSTRUCTED IN THE PAVEMENT, THE JOINTS SHALL BE TIED WITH NO. 6 x 24" EPOXY COATED TIE BARS SPACED AT 24" CENTERS AS SHOWN ON STD. 420001.
5. TRANSVERSE CONSTRUCTION JOINTS SHALL MATCH THE LOCATION OF THE SAWED TRANSVERSE JOINTS OR EXPANSION JOINTS SHOWN ON THE PAVEMENT JOINT PLANS AND SHALL BE AS SHOWN ON STANDARDS 420101 AND 420106. TRANSVERSE CONSTRUCTION JOINTS SHALL NOT BE PLACED LESS THAN 15 FEET FROM A STAGE CONSTRUCTION LIMIT. THE CONSTRUCTION JOINTS THAT COINCIDE WITH CONTRACTION JOINTS SHALL HAVE SMOOTH EPOXY COATED DOWEL BARS 1.5" DIA., 18 INCHES LONG PLACED AT 12 INCH SPACING'S AND CENTERED ACROSS THE JOINT. CONSTRUCTION JOINTS THAT COINCIDE WITH EXPANSION JOINTS SHALL BE DOWELED AS SHOWN ON STANDARD 420001.
6. SEE STANDARD 420111 FOR CONSTRUCTION DETAILS WHERE INLETS OR MANHOLES ARE LOCATED WITHIN THE PAVEMENT AREA.

**LEGEND**

	PROPOSED 1" EXPANSION JOINTS
	PROPOSED LONGITUDINAL JOINTS
	PROPOSED SAWED CONTRACTION JOINTS
	PROPOSED INLETS
	PROPOSED MANHOLES OR CATCH BASINS

SEE PAVEMENT JOINTING PLAN - 4  
FOR UNION JOINT LAYOUT INFORMATION

SEE THE INTERSECTION DETAIL SHEETS  
FOR ADDITIONAL ROADWAY GEOMETRIC AND  
BACK OF SIDEWALK ELEVATION INFORMATION.

LAYOUT	DLC	11/24/15
DRAWN	RLA	2/4/16
REVIEWED	MGD	3/22/16

FILE NAME = Z:\Plans\sheets\Project1\P1-sht-pvtjoint01.dgn	DESIGNED - DLC	REVISED -
PLOT DATE = 8/25/2016 1:39:26 PM	DRAWN - RLA	REVISED -
	CHECKED - MGD	REVISED -
	DATE - 8/26/2016	REVISED -

STATE OF ILLINOIS  
DEPARTMENT OF TRANSPORTATION

PROJECT 1 - GREEN STREET  
PAVEMENT JOINTING PLANS

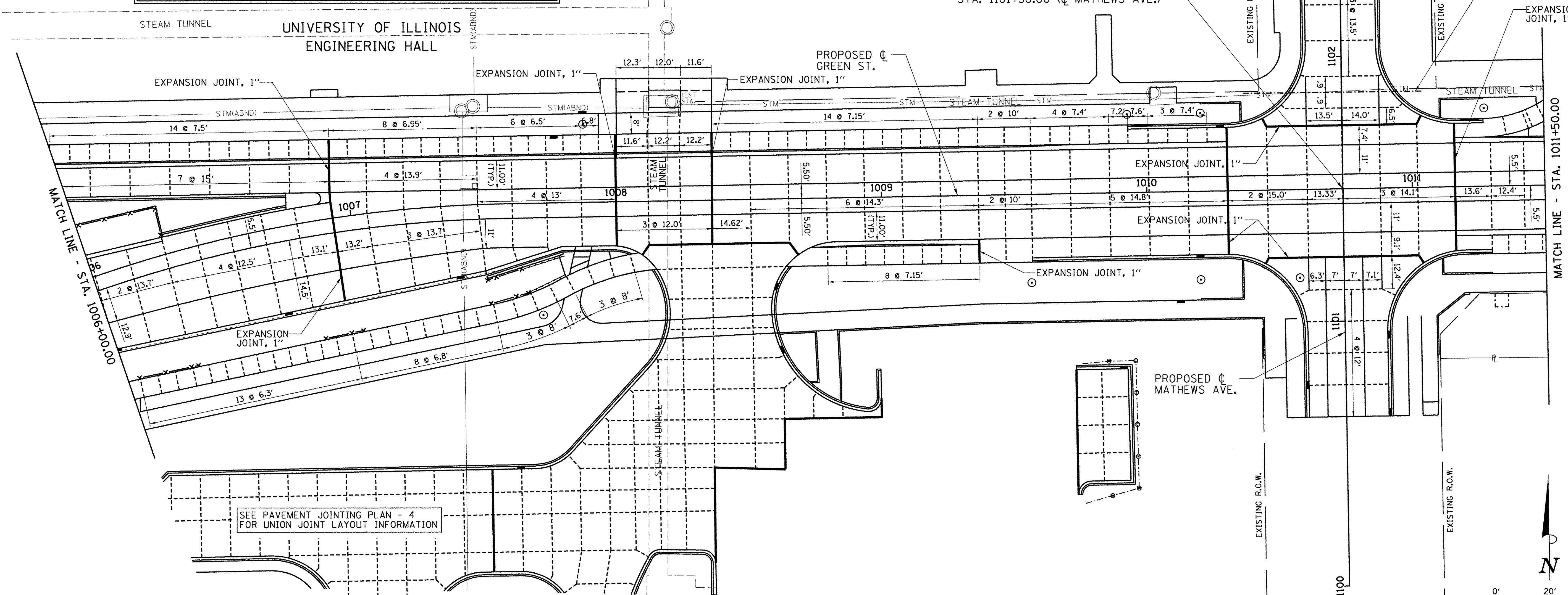
SCALE: 1"=20' SHEET NO. OF SHEETS STA. 1001+71.29 TO STA. 1006+00.00

F.A.U. RTE. 7126	SECTION 15-00304-01-PV	COUNTY CHAMPAIGN	TOTAL SHEETS 236	SHEET NO. 74
MCORE PROJECT 1		CONTRACT NO. 91539		
JOB NO. C-95-305-16 ILLINOIS FED. AID PROJECT TIG-51810571				

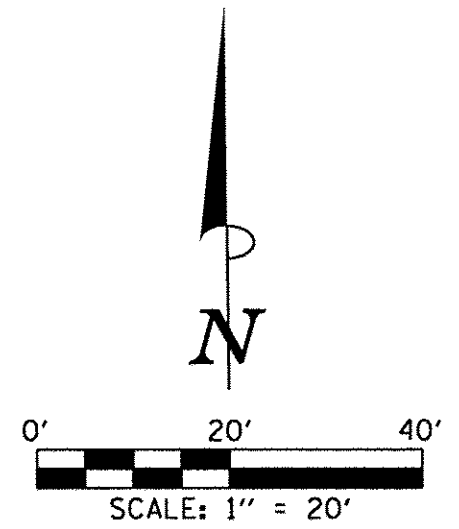
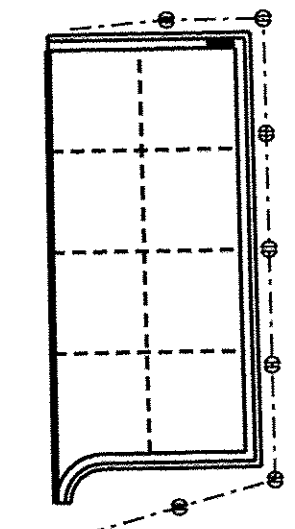
STEAM TUNNEL NOTE: STA. 1008+00 TO STA. 1008+30  
 EXISTING STEAM TUNNEL CROSSING UNDER GREEN STREET. EXTREME CAUTION  
 SHALL BE EXERCISED BY ALL CONTRACTORS TO AVOID DISTURBING OR DAMAGING  
 THE TUNNEL. JOINTING FOR THE PORTLAND CEMENT CONCRETE BASE COURSE 12"  
 PLACED BELOW THE SURFACE PAVEMENT SHALL MATCH THE JOINTING SHOWN FOR  
 THE PROPOSED PCC PAVEMENT 10.5" (JOINTED) SHOWN FOR THE SURFACE.

UNIVERSITY OF ILLINOIS MATERIALS  
 SCIENCE AND ENGINEERING

STA. 1010+73.87 (C GREEN ST.) =  
 STA. 1101+50.00 (C MATHEWS AVE.)



SEE PAVEMENT JOINTING PLAN - 4  
 FOR UNION JOINT LAYOUT INFORMATION



- NOTES**
- ON GREEN STREET THE CURB AND GUTTER SHALL NOT BE POURED MONOLITHIC WITH THE PCC PAVEMENT EXCEPT AT THE STUB LOCATIONS. TIE BARS BETWEEN THE PAVEMENT AND THE CURB AND GUTTER WILL BE REQUIRED.
  - ALL SAWS TRANSVERSE CONTRACTION JOINTS AND EXPANSION JOINTS IN THE PAVEMENT MUST EXTEND THROUGH THE CURB AND GUTTER.
  - ALL SAWS JOINTS IN THE PCC PAVEMENT AND THE COMBINATION CONCRETE CURB AND GUTTER SHALL BE SEALED WITH A JOINT SEALER MEETING THE REQUIREMENTS OF ARTICLES 420.02 AND 606.06 OF THE STANDARD SPECIFICATIONS.
  - WHEN LONGITUDINAL CONSTRUCTION JOINTS ARE CONSTRUCTED IN THE PAVEMENT, THE JOINTS SHALL BE TIED WITH NO. 6 x 24" EPOXY COATED TIE BARS SPACED AT 24" CENTERS AS SHOWN ON STD. 420001.
  - TRANSVERSE CONSTRUCTION JOINTS SHALL MATCH THE LOCATION OF THE SAWS TRANSVERSE JOINTS OR EXPANSION JOINTS SHOWN ON THE PAVEMENT JOINT PLANS AND SHALL BE AS SHOWN ON STANDARDS 420101 AND 420106. TRANSVERSE CONSTRUCTION JOINTS SHALL NOT BE PLACED LESS THAN 15 FEET FROM A STAGE CONSTRUCTION LIMIT. THE CONSTRUCTION JOINTS THAT COINCIDE WITH CONTRACTION JOINTS SHALL HAVE SMOOTH EPOXY COATED DOWEL BARS 1.5" DIA., 18 INCHES LONG PLACED AT 12 INCH SPACING'S AND CENTERED ACROSS THE JOINT. CONSTRUCTION JOINTS THAT COINCIDE WITH EXPANSION JOINTS SHALL BE DOWELED AS SHOWN ON STANDARD 420001.
  - SEE STANDARD 420111 FOR CONSTRUCTION DETAILS WHERE INLETS OR MANHOLES ARE LOCATED WITHIN THE PAVEMENT AREA.

- LEGEND**
- PROPOSED 1" EXPANSION JOINTS
  - PROPOSED LONGITUDINAL JOINTS
  - - - - PROPOSED SAWS CONTRACTION JOINTS
  - PROPOSED INLETS
  - ⊙ PROPOSED MANHOLES OR CATCH BASINS

SEE THE INTERSECTION DETAIL SHEETS  
 FOR ADDITIONAL ROADWAY GEOMETRIC AND  
 BACK OF SIDEWALK ELEVATION INFORMATION.

LAYOUT	DLC	11/24/15
DRAWN	RLA	2/14/16
REVIEWED	MCD	3/22/16

FILE NAME =	Z:\Plans\sheets\Project1\P1-sht-pvtjoint02.dgn
PLOT DATE =	8/25/2016 1:40:08 PM

DESIGNED -	DLC	REVISED -	
DRAWN -	RLA	REVISED -	
CHECKED -	MCD	REVISED -	
DATE -	8/26/2016	REVISED -	

STATE OF ILLINOIS  
 DEPARTMENT OF TRANSPORTATION

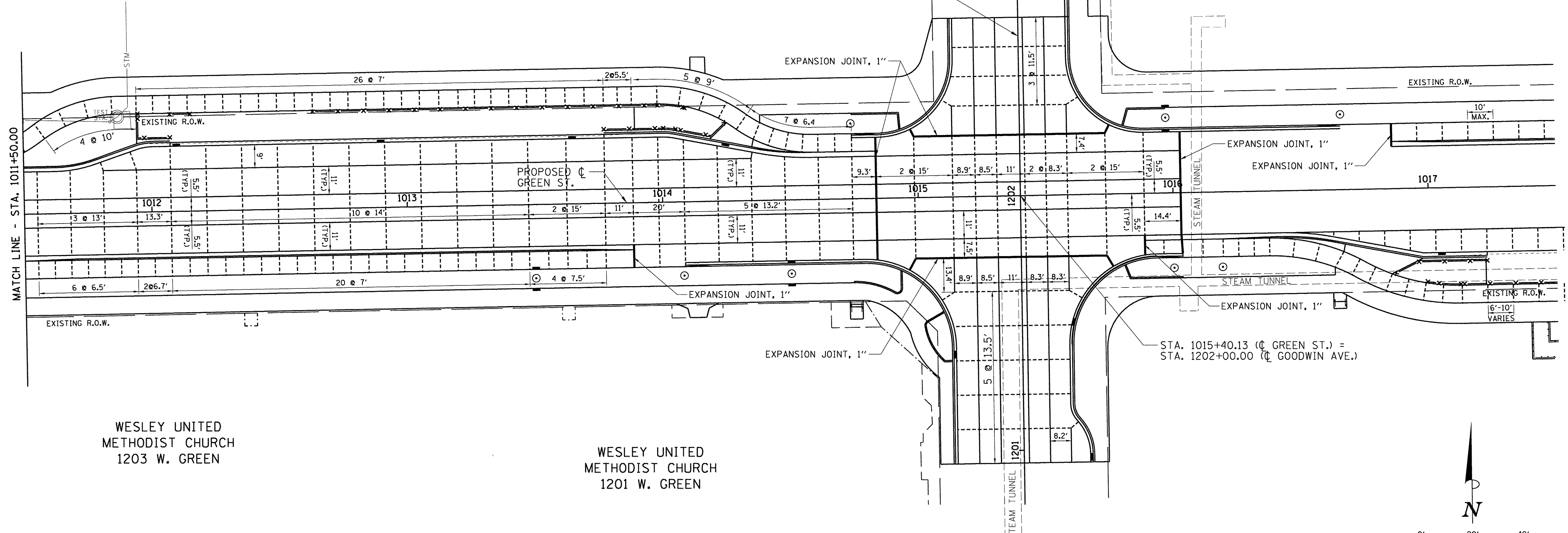
PROJECT 1 - GREEN STREET PAVEMENT JOINTING PLANS	
SCALE: 1"=20'	SHEET NO. OF SHEETS
STA. 1006+00.00 TO STA. 1011+50.00	

F.A.U. RTE.	SECTION	COUNTY	TOTAL SHEETS	SHEET NO.
7126	15-00304-01-PV	CHAMPAIGN	236	75
MCORE PROJECT 1		CONTRACT NO. 91539		
JOB NO. C-95-305-16 ILLINOIS FED. AID PROJECT TIG-5181057				

© Copyright Hanson Professional Services Inc. 2016  
**HANSON**  
 Hanson Professional Services Inc.

UNIVERSITY OF ILLINOIS  
ENGINEERING BUILDING

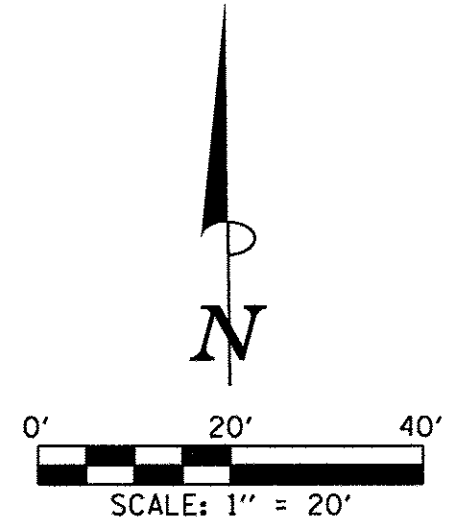
PROPOSED  $\phi$   
GOODWIN AVE.



WESLEY UNITED  
METHODIST CHURCH  
1203 W. GREEN

WESLEY UNITED  
METHODIST CHURCH  
1201 W. GREEN

STA. 1015+40.13 ( $\phi$  GREEN ST.) =  
STA. 1202+00.00 ( $\phi$  GOODWIN AVE.)



**LEGEND**

- PROPOSED 1" EXPANSION JOINTS
- PROPOSED LONGITUDINAL JOINTS
- - - PROPOSED SAWED CONTRACTION JOINTS
- PROPOSED INLETS
- PROPOSED MANHOLES OR CATCH BASINS

**NOTES**

1. ON GREEN STREET THE CURB AND GUTTER SHALL NOT BE POURED MONOLITHIC WITH THE PCC PAVEMENT EXCEPT AT THE STUB LOCATIONS. TIE BARS BETWEEN THE PAVEMENT AND THE CURB AND GUTTER WILL BE REQUIRED.
2. ALL SAWED TRANSVERSE CONTRACTION JOINTS AND EXPANSION JOINTS IN THE PAVEMENT MUST EXTEND THROUGH THE CURB AND GUTTER.
3. ALL SAWED JOINTS IN THE PCC PAVEMENT AND THE COMBINATION CONCRETE CURB AND GUTTER SHALL BE SEALED WITH A JOINT SEALER MEETING THE REQUIREMENTS OF ARTICLES 420.02 AND 606.06 OF THE STANDARD SPECIFICATIONS.
4. WHEN LONGITUDINAL CONSTRUCTION JOINTS ARE CONSTRUCTED IN THE PAVEMENT, THE JOINTS SHALL BE TIED WITH NO. 6 x 24" EPOXY COATED TIE BARS SPACED AT 24" CENTERS AS SHOWN ON STD. 420001.
5. TRANSVERSE CONSTRUCTION JOINTS SHALL MATCH THE LOCATION OF THE SAWED TRANSVERSE JOINTS OR EXPANSION JOINTS SHOWN ON THE PAVEMENT JOINT PLANS AND SHALL BE AS SHOWN ON STANDARDS 420101 AND 420106. TRANSVERSE CONSTRUCTION JOINTS SHALL NOT BE PLACED LESS THAN 15 FEET FROM A STAGE CONSTRUCTION LIMIT. THE CONSTRUCTION JOINTS THAT COINCIDE WITH CONTRACTION JOINTS SHALL HAVE SMOOTH EPOXY COATED DOWEL BARS 1.5" DIA., 18 INCHES LONG PLACED AT 12 INCH SPACING'S AND CENTERED ACROSS THE JOINT. CONSTRUCTION JOINTS THAT COINCIDE WITH EXPANSION JOINTS SHALL BE DOWELED AS SHOWN ON STANDARD 420001.
6. SEE STANDARD 420111 FOR CONSTRUCTION DETAILS WHERE INLETS OR MANHOLES ARE LOCATED WITHIN THE PAVEMENT AREA.

SEE THE INTERSECTION DETAIL SHEETS  
FOR ADDITIONAL ROADWAY GEOMETRIC AND  
BACK OF SIDEWALK ELEVATION INFORMATION.

© Copyright Hanson Professional Services Inc. 2016  
**HANSON**  
 Hanson Professional Services Inc.

LAYOUT	DLC	11/24/15
DRAWN	RLA	2/4/16
REVIEWED	MGD	3/22/16

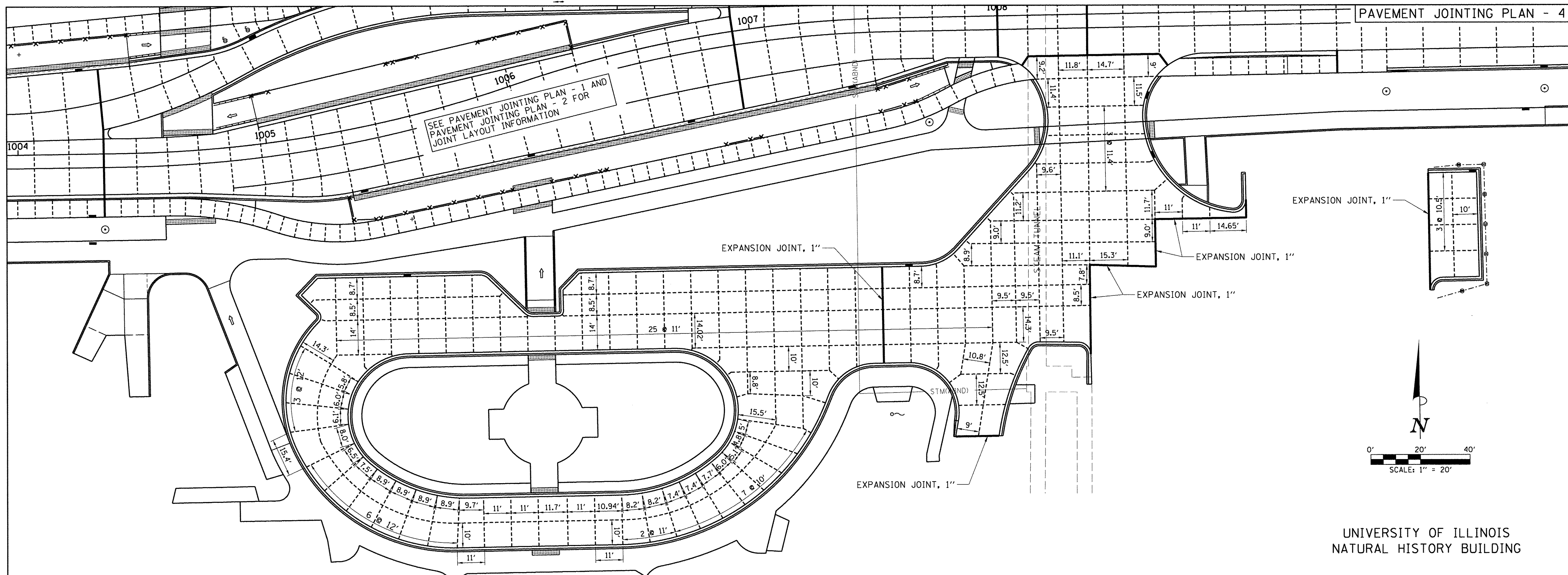
FILE NAME =	Z:\Plans\sheets\Project1\p1-sht-pvtjoint03.dgn
PLOT DATE =	8/25/2016 1:40:13 PM

DESIGNED -	DLC	REVISED -	
DRAWN -	RLA	REVISED -	
CHECKED -	MGD	REVISED -	
DATE -	8/26/2016	REVISED -	

STATE OF ILLINOIS  
DEPARTMENT OF TRANSPORTATION

PROJECT 1 - GREEN STREET PAVEMENT JOINTING PLANS	
SCALE: 1"=20'	SHEET NO. OF SHEETS
STA. 1011+50.00 TO STA. 1017+50.00	

F.A.U. RTE.	SECTION	COUNTY	TOTAL SHEETS	SHEET NO.
7126	15-00304-01-PV	CHAMPAIGN	236	76
MCORE PROJECT 1		CONTRACT NO. 91539		
JOB NO. C-95-305-16 ILLINOIS FED. AID PROJECT TIG-51810571				



UNIVERSITY OF ILLINOIS  
ILLINI UNION

UNIVERSITY OF ILLINOIS  
NATURAL HISTORY BUILDING

NOTES

1. ALL SAWED TRANSVERSE CONTRACTION JOINTS AND EXPANSION JOINTS IN THE PAVEMENT MUST EXTEND THROUGH THE CURB AND GUTTER.
2. ALL SAWED JOINTS IN THE PCC PAVEMENT AND THE COMBINATION CONCRETE CURB AND GUTTER SHALL BE SEALED WITH A JOINT SEALER MEETING THE REQUIREMENTS OF ARTICLES 420.02 AND 606.06 OF THE STANDARD SPECIFICATIONS.
3. WHEN LONGITUDINAL CONSTRUCTION JOINTS ARE CONSTRUCTED IN THE PAVEMENT, THE JOINTS SHALL BE TIED WITH NO. 6 x 24" EPOXY COATED TIE BARS SPACED AT 24" CENTERS AS SHOWN ON STD. 420001.
4. TRANSVERSE CONSTRUCTION JOINTS SHALL MATCH THE LOCATION OF THE SAWED TRANSVERSE JOINTS OR EXPANSION JOINTS SHOWN ON THE PAVEMENT JOINT PLANS AND SHALL BE AS SHOWN ON STANDARDS 420101 AND 420106. TRANSVERSE CONSTRUCTION JOINTS SHALL NOT BE PLACED LESS THAN 15 FEET FROM A STAGE CONSTRUCTION LIMIT. THE CONSTRUCTION JOINTS THAT COINCIDE WITH CONTRACTION JOINTS SHALL HAVE SMOOTH EPOXY COATED DOWEL BARS 1.5" DIA., 18 INCHES LONG PLACED AT 12 INCH SPACING'S AND CENTERED ACROSS THE JOINT. CONSTRUCTION JOINTS THAT COINCIDE WITH EXPANSION JOINTS SHALL BE DOWELED AS SHOWN ON STANDARD 420001.
5. SEE STANDARD 420111 FOR CONSTRUCTION DETAILS WHERE INLETS OR MANHOLES ARE LOCATED WITHIN THE PAVEMENT AREA.

LEGEND

- PROPOSED 1" EXPANSION JOINTS
- PROPOSED LONGITUDINAL JOINTS
- - - - PROPOSED SAWED CONTRACTION JOINTS
- PROPOSED INLETS
- ⊙ PROPOSED MANHOLES OR CATCH BASINS

LAYOUT	DLC	11/24/15
DRAWN	RLA	2/4/16
REVIEWED	MGD	3/22/16

FILE NAME = Z:\Plans\Sheets\Project\11\11-sht-pvtjoint04.dgn  
 PLOT DATE = 8/25/2016 1:40:16 PM

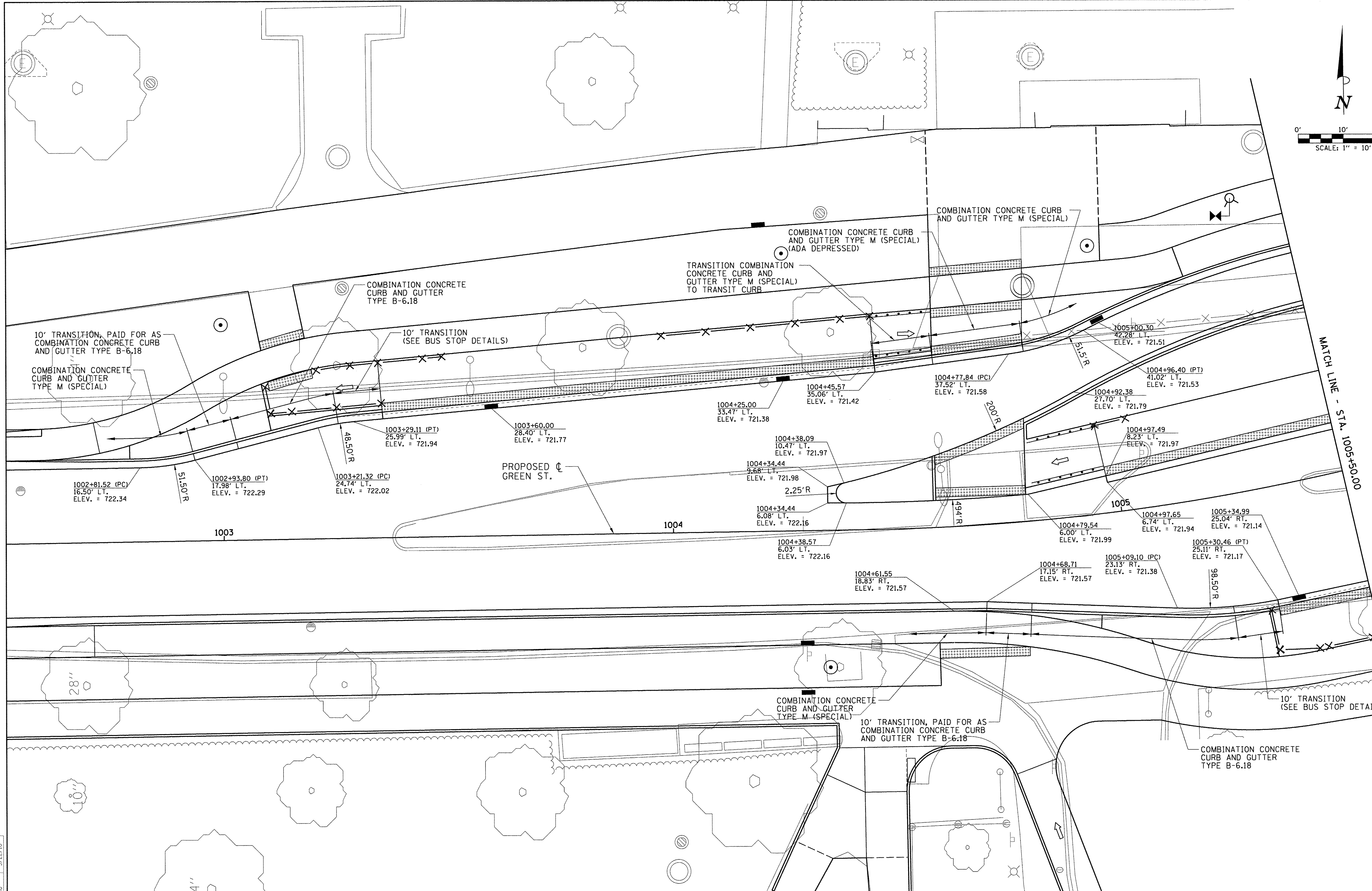
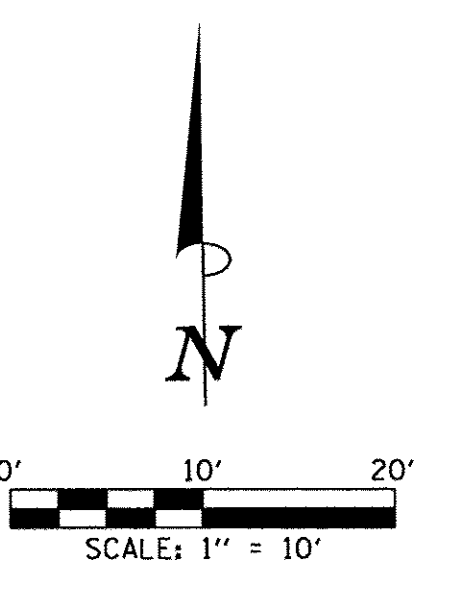
DESIGNED -	DLC	REVISED -	
DRAWN -	RLA	REVISED -	
CHECKED -	MGD	REVISED -	
DATE -	8/26/2016	REVISED -	

STATE OF ILLINOIS  
DEPARTMENT OF TRANSPORTATION

PROJECT 1 - UNION ENTRANCE  
PAVEMENT JOINTING PLANS

SCALE: 1"=20' SHEET NO. OF SHEETS STA. 1011+50.00 TO STA. 1017+50.00

F.A.U. RTE.	SECTION	COUNTY	TOTAL SHEETS	SHEET NO.
7126	15-00304-01-PV	CHAMPAIGN	236	77
MCORE PROJECT 1			CONTRACT NO. 91539	
JOB NO. C-95-305-16 ILLINOIS FED. AID PROJECT TIG-5181057				



© Copyright Hanson Professional Services Inc. 2016  
**HANSON**  
 Hanson Professional Services Inc.

LAYOUT	DLC	2/2/16
DRAWN	RLA	2/4/16
REVIEWED	MGD	3/22/16

FILE NAME = Z:\Plans\Sheets\Project1\1-sht-detail10.dgn  
 PLOT DATE = 8/25/2016 1:40:20 PM

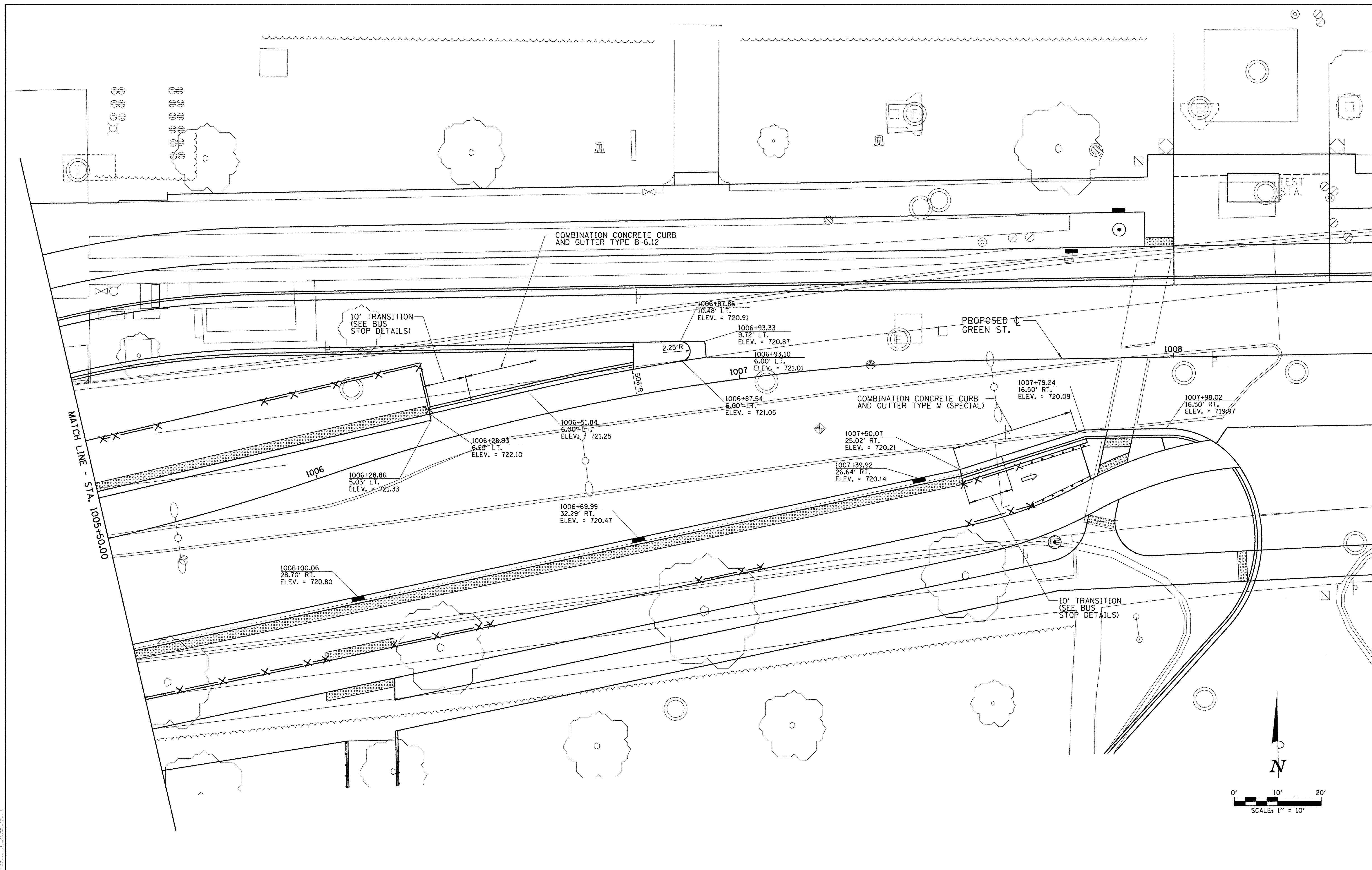
DESIGNED -	DLC	REVISED -	
DRAWN -	RLA	REVISED -	
CHECKED -	MGD	REVISED -	
DATE -	8/26/2016	REVISED -	

**STATE OF ILLINOIS**  
**DEPARTMENT OF TRANSPORTATION**

**PROJECT 1 - GREEN STREET**  
**BUS PULLOFF DETAILS**

SCALE: 1"=10'    SHEET NO.    OF    SHEETS    STA.    TO    STA.

F.A.U. RTE.	SECTION	COUNTY	TOTAL SHEETS	SHEET NO.
7126	15-00304-01-PV	CHAMPAIGN	236	78
MCORE PROJECT 1		CONTRACT NO. 91539		
JOB NO. C-95-305-16 ILLINOIS FED. AID PROJECT TIC-51810571				



LAYOUT	DLC	2/2/16
DRAWN	RLA	2/4/16
REVIEWED	MGD	3/22/16

FILE NAME = Z:\Plans\sheets\Project1\p1-sht-detail11.dgn  
 PLOT DATE = 8/25/2016 1:40:22 PM

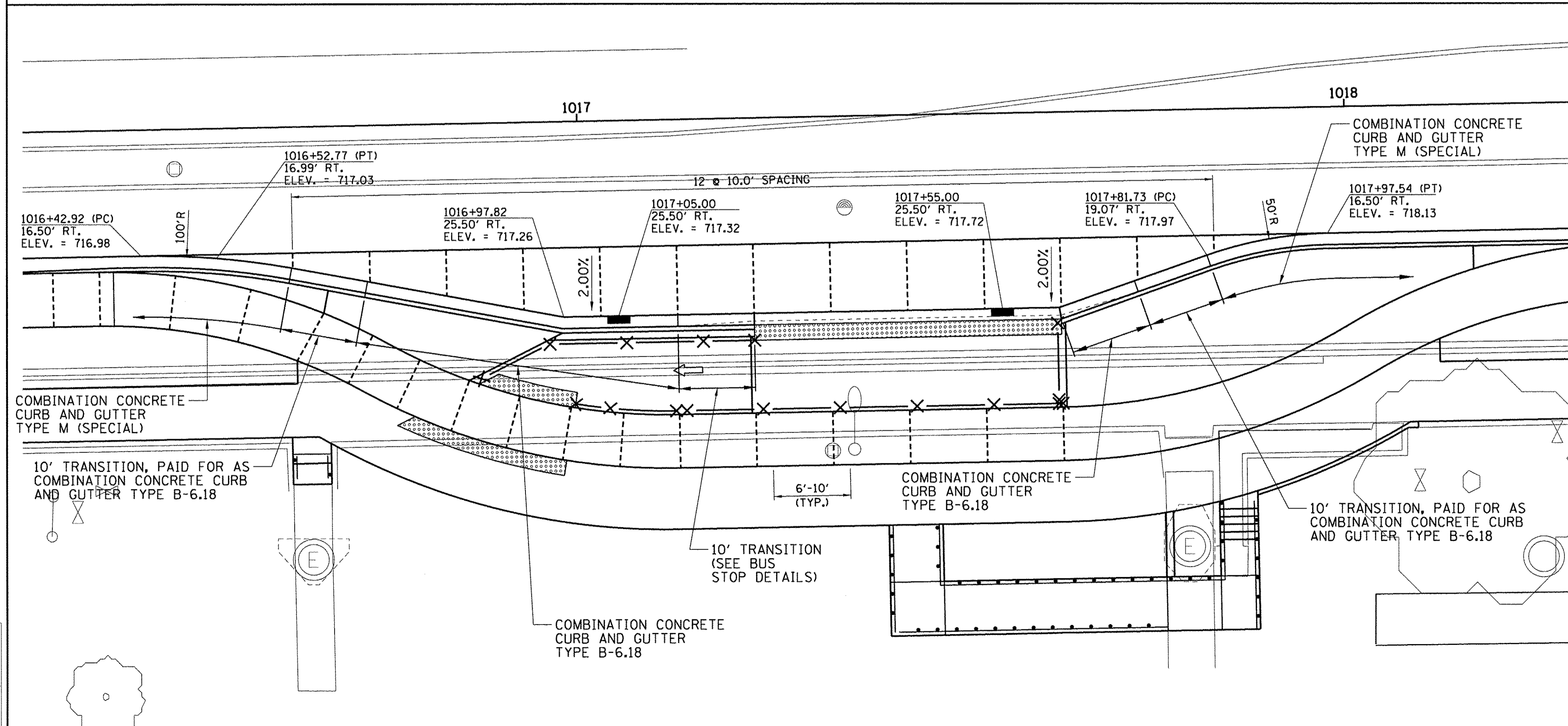
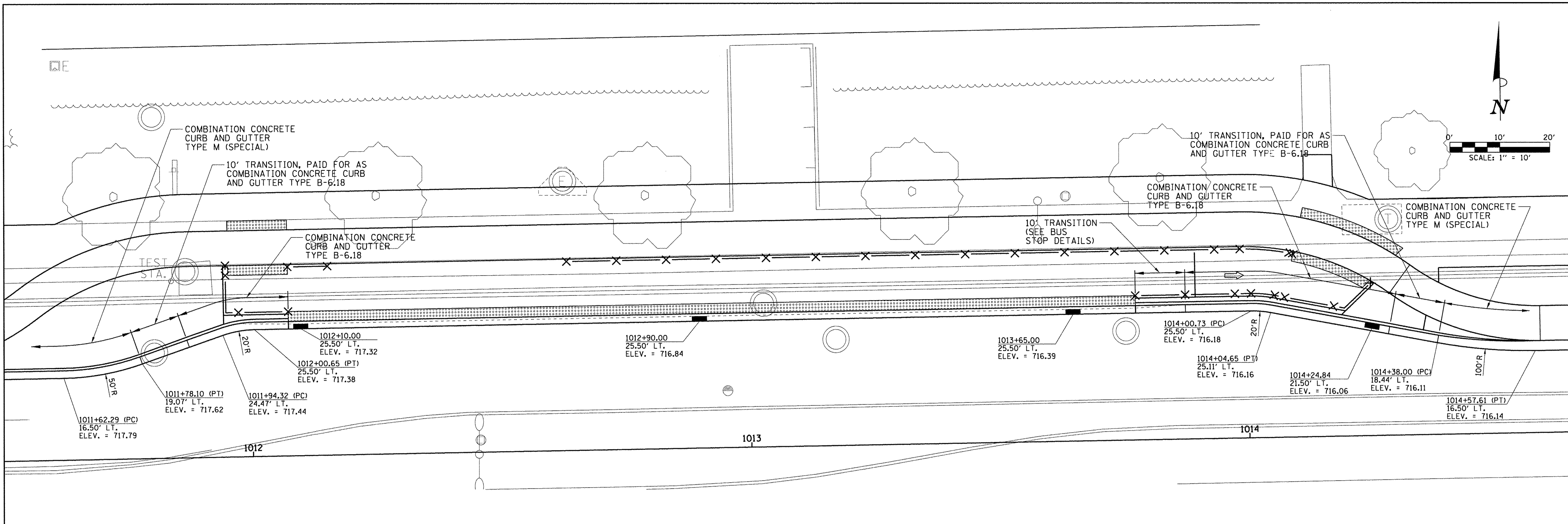
DESIGNED -	DLC	REVISED -	
DRAWN -	RLA	REVISED -	
CHECKED -	MGD	REVISED -	
DATE -	8/26/2016	REVISED -	

STATE OF ILLINOIS  
 DEPARTMENT OF TRANSPORTATION

PROJECT 1 - GREEN STREET  
 BUS PULLOFF DETAILS

SCALE: 1"=10' SHEET NO. OF SHEETS STA. TO STA.

F.A.U. RTE.	SECTION	COUNTY	TOTAL SHEETS	SHEET NO.
7126	15-00304-01-PV	CHAMPAIGN	236	79
MCORE PROJECT 1			CONTRACT NO. 91539	
JOB NO. C-95-305-16 ILLINOIS FED. AID PROJECT TIG-5181(057)				



- LEGEND**
- PROPOSED 1" EXPANSION JOINTS
  - PROPOSED LONGITUDINAL JOINTS
  - - - - PROPOSED SAWED CONTRACTION JOINTS
  - PROPOSED INLETS
  - PROPOSED MANHOLES OR CATCH BASINS

SEE THE INTERSECTION DETAIL SHEETS FOR ADDITIONAL ROADWAY GEOMETRIC AND BACK OF SIDEWALK ELEVATION INFORMATION.

- NOTES**
1. ON GREEN STREET THE CURB AND GUTTER SHALL NOT BE POURED MONOLITHIC WITH THE P.C.C. PAVEMENT EXCEPT AT THE STUB LOCATIONS. TIE BARS BETWEEN THE PAVEMENT AND THE CURB AND GUTTER WILL BE REQUIRED.
  2. ALL SAWED TRANSVERSE CONTRACTION JOINTS AND EXPANSION JOINTS IN THE PAVEMENT MUST EXTEND THROUGH THE CURB AND GUTTER.
  3. ALL SAWED JOINTS IN THE P.C.C. PAVEMENT AND THE COMBINATION CONCRETE CURB AND GUTTER SHALL BE SEALED WITH A JOINT SEALER MEETING THE REQUIREMENTS OF ARTICLES 420.02 AND 606.06 OF THE STANDARD SPECIFICATIONS.
  4. THE P.C.C. PAVEMENT SHALL BE POURED MONOLITHIC WITH THE COMBINATION CONCRETE CURB AND GUTTER AT THE STUB LOCATIONS SHOWN ON THE JOINTING PLAN. THE COST OF ADDITIONAL GUTTER FLAG WIDTH WILL BE PAID FOR AT THE CONTRACT UNIT PRICE PER SQUARE YARD FOR P.C.C. PAVEMENT.
  5. WHEN LONGITUDINAL CONSTRUCTION JOINTS ARE CONSTRUCTED IN THE PAVEMENT, THE JOINTS SHALL BE TIED WITH NO. 6 x 24" EPOXY COATED TIE BARS SPACED AT 24" CENTERS AS SHOWN ON STD. 420001.
  6. TRANSVERSE CONSTRUCTION JOINTS SHALL MATCH THE LOCATION OF THE SAWED TRANSVERSE JOINTS OR EXPANSION JOINTS SHOWN ON THE PAVEMENT JOINT PLANS AND SHALL BE AS SHOWN ON STANDARDS 420101 AND 420106. TRANSVERSE CONSTRUCTION JOINTS SHALL NOT BE PLACED LESS THAN 15 FEET FROM A STAGE CONSTRUCTION LIMIT. THE CONSTRUCTION JOINTS THAT COINCIDE WITH CONTRACTION JOINTS SHALL HAVE SMOOTH EPOXY COATED DOWEL BARS 1.5" DIA., 18 INCHES LONG PLACED AT 12 INCH SPACING'S AND CENTERED ACROSS THE JOINT. CONSTRUCTION JOINTS THAT COINCIDE WITH EXPANSION JOINTS SHALL BE DOWELED AS SHOWN ON STANDARD 420001.
  7. SEE STANDARD 420111 FOR CONSTRUCTION DETAILS WHERE INLETS OR MANHOLES ARE LOCATED WITHIN THE PAVEMENT AREA.

LAYOUT	DLC	2/2/16
DRAWN	RLA	2/4/16
REVIEWED	MGD	3/22/16

FILE NAME = Z:\Plans\Sheets\Project1\P1-sht-detail12.dgn  
 PLOT DATE = 8/25/2016 1:40:27 PM

DESIGNED	- DLC	REVISED	-
DRAWN	- RLA	REVISED	-
CHECKED	- MGD	REVISED	-
DATE	- 8/26/2016	REVISED	-

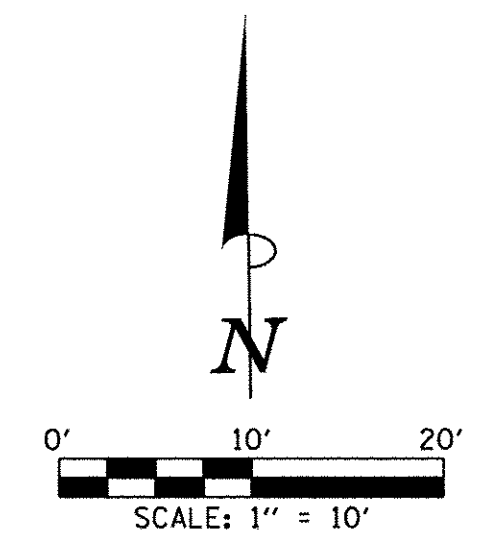
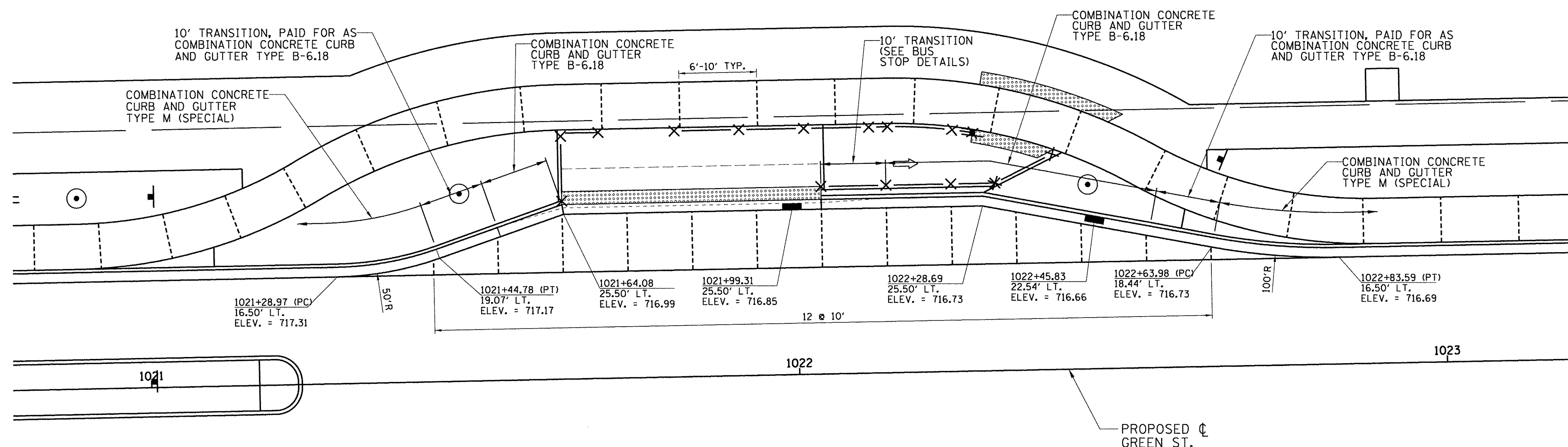
**STATE OF ILLINOIS**  
 DEPARTMENT OF TRANSPORTATION

**PROJECT 1 - GREEN STREET**  
**BUS PULLOFF DETAILS**

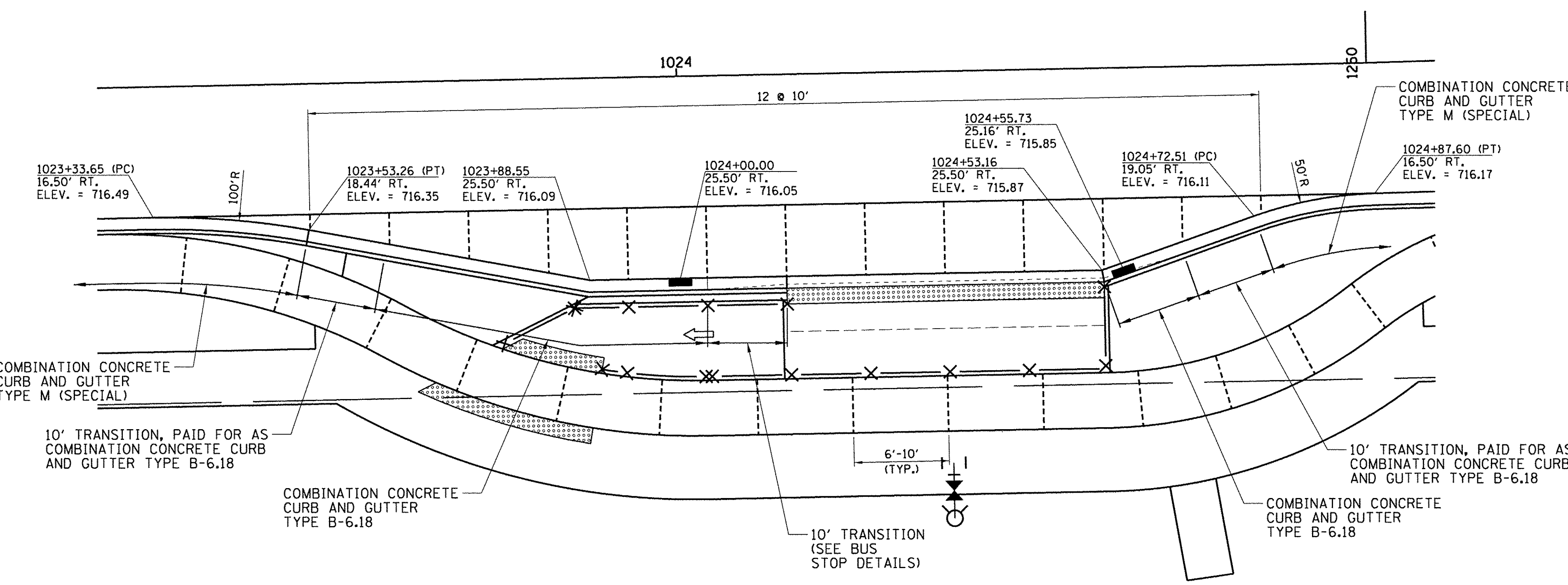
SCALE: 1"=10'    SHEET NO.    OF SHEETS    STA.    TO STA.

F.A.U. RTE.	SECTION	COUNTY	TOTAL SHEETS	SHEET NO.
7126	15-00304-01-PV	CHAMPAIGN	236	80
MCORE PROJECT 1		CONTRACT NO. 91539		
JOB NO. C-95-305-16 ILLINOIS FED. AID PROJECT TIG-5181057				





© Copyright Hanson Professional Services Inc. 2018  
**HANSON**  
 Hanson Professional Services Inc.



- LEGEND**
- PROPOSED 1" EXPANSION JOINTS
  - PROPOSED LONGITUDINAL JOINTS
  - - - - - PROPOSED SAWED CONTRACTION JOINTS
  - PROPOSED INLETS
  - PROPOSED MANHOLES OR CATCH BASINS

- NOTES**
1. ON GREEN STREET THE CURB AND GUTTER SHALL NOT BE POURED MONOLITHIC WITH THE P.C.C. PAVEMENT EXCEPT AT THE STUB LOCATIONS. TIE BARS BETWEEN THE PAVEMENT AND THE CURB AND GUTTER WILL BE REQUIRED.
  2. ALL SAWED TRANSVERSE CONTRACTION JOINTS AND EXPANSION JOINTS IN THE PAVEMENT MUST EXTEND THROUGH THE CURB AND GUTTER.
  3. ALL SAWED JOINTS IN THE P.C.C. PAVEMENT AND THE COMBINATION CONCRETE CURB AND GUTTER SHALL BE SEALED WITH A JOINT SEALER MEETING THE REQUIREMENTS OF ARTICLES 420.02 AND 606.06 OF THE STANDARD SPECIFICATIONS.
  4. THE P.C.C. PAVEMENT SHALL BE POURED MONOLITHIC WITH THE COMBINATION CONCRETE CURB AND GUTTER AT THE STUB LOCATIONS SHOWN ON THE JOINTING PLAN. THE COST OF ADDITIONAL GUTTER FLAG WIDTH WILL BE PAID FOR AT THE CONTRACT UNIT PRICE PER SQUARE YARD FOR P.C.C. PAVEMENT.
  5. WHEN LONGITUDINAL CONSTRUCTION JOINTS ARE CONSTRUCTED IN THE PAVEMENT, THE JOINTS SHALL BE TIED WITH NO. 6 x 24" EPOXY COATED TIE BARS SPACED AT 24" CENTERS AS SHOWN ON STD. 420001.
  6. TRANSVERSE CONSTRUCTION JOINTS SHALL MATCH THE LOCATION OF THE SAWED TRANSVERSE JOINTS OR EXPANSION JOINTS SHOWN ON THE PAVEMENT JOINT PLANS AND SHALL BE AS SHOWN ON STANDARDS 420101 AND 420106. TRANSVERSE CONSTRUCTION JOINTS SHALL NOT BE PLACED LESS THAN 15 FEET FROM A STAGE CONSTRUCTION LIMIT. THE CONSTRUCTION JOINTS THAT COINCIDE WITH CONTRACTION JOINTS SHALL HAVE SMOOTH EPOXY COATED DOWEL BARS 1.5" DIA., 18 INCHES LONG PLACED AT 12 INCH SPACING'S AND CENTERED ACROSS THE JOINT. CONSTRUCTION JOINTS THAT COINCIDE WITH EXPANSION JOINTS SHALL BE DOWELED AS SHOWN ON STANDARD 420001.
  7. SEE STANDARD 420111 FOR CONSTRUCTION DETAILS WHERE INLETS OR MANHOLES ARE LOCATED WITHIN THE PAVEMENT AREA.

LAYOUT	D.C.	2/2/16
DRAWN	RLA	2/4/16
REVIEWED	MGD	3/22/16

FILE NAME =	Z:\Plans\sheets\Project1\p1-sht-detail113.dgn
PLOT DATE =	8/25/2016 1:40:33 PM

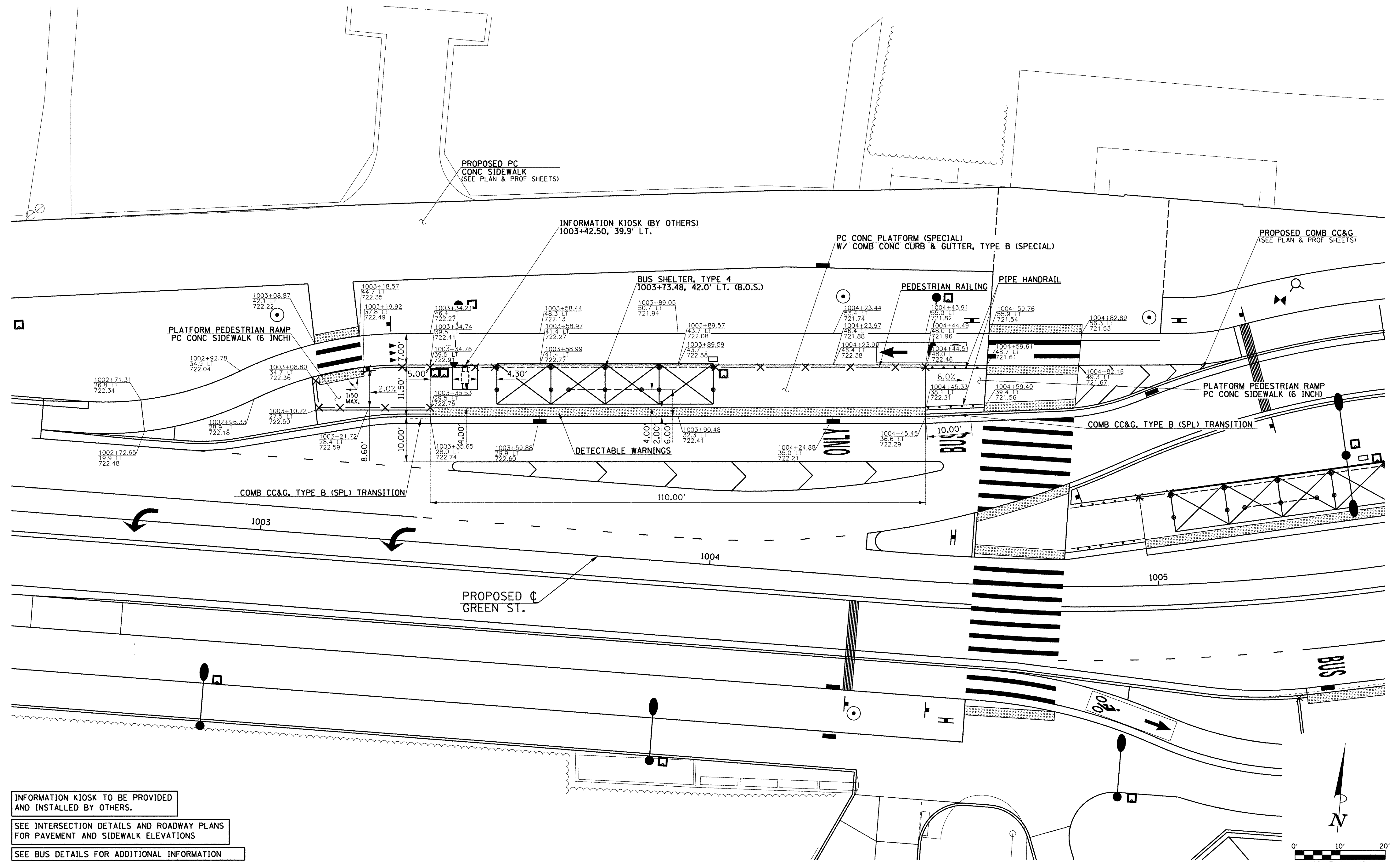
DESIGNED -	DLC	REVISED -	
DRAWN -	RLA	REVISED -	
CHECKED -	MGD	REVISED -	
DATE -	8/26/2016	REVISED -	

STATE OF ILLINOIS  
 DEPARTMENT OF TRANSPORTATION

<b>PROJECT 1 - GREEN STREET BUS PULLOFF DETAILS</b>			
SCALE: 1"=10'	SHEET NO.	OF SHEETS	STA. TO STA.

F.A.U. RTE.	SECTION	COUNTY	TOTAL SHEETS	SHEET NO.
7126	15-00304-01-PV	CHAMPAIGN	236	81
MCORE PROJECT 1		CONTRACT NO. 91539		
JOB NO. C-95-305-16 ILLINOIS FED. AID PROJECT TIG-5181057				

TYLIN INTERNATIONAL



INFORMATION KIOSK TO BE PROVIDED AND INSTALLED BY OTHERS.

SEE INTERSECTION DETAILS AND ROADWAY PLANS FOR PAVEMENT AND SIDEWALK ELEVATIONS

SEE BUS DETAILS FOR ADDITIONAL INFORMATION

LAYOUT	KRP	8/24/16
DRAWN	KRP	8/24/16
REVIEWED	MPG	8/25/16

FILE NAME =	Z:\Plans\Sheets\Project1\PI-sht-WRT-bus01.dgn
PLOT DATE =	8/25/2016 1:41:26 PM

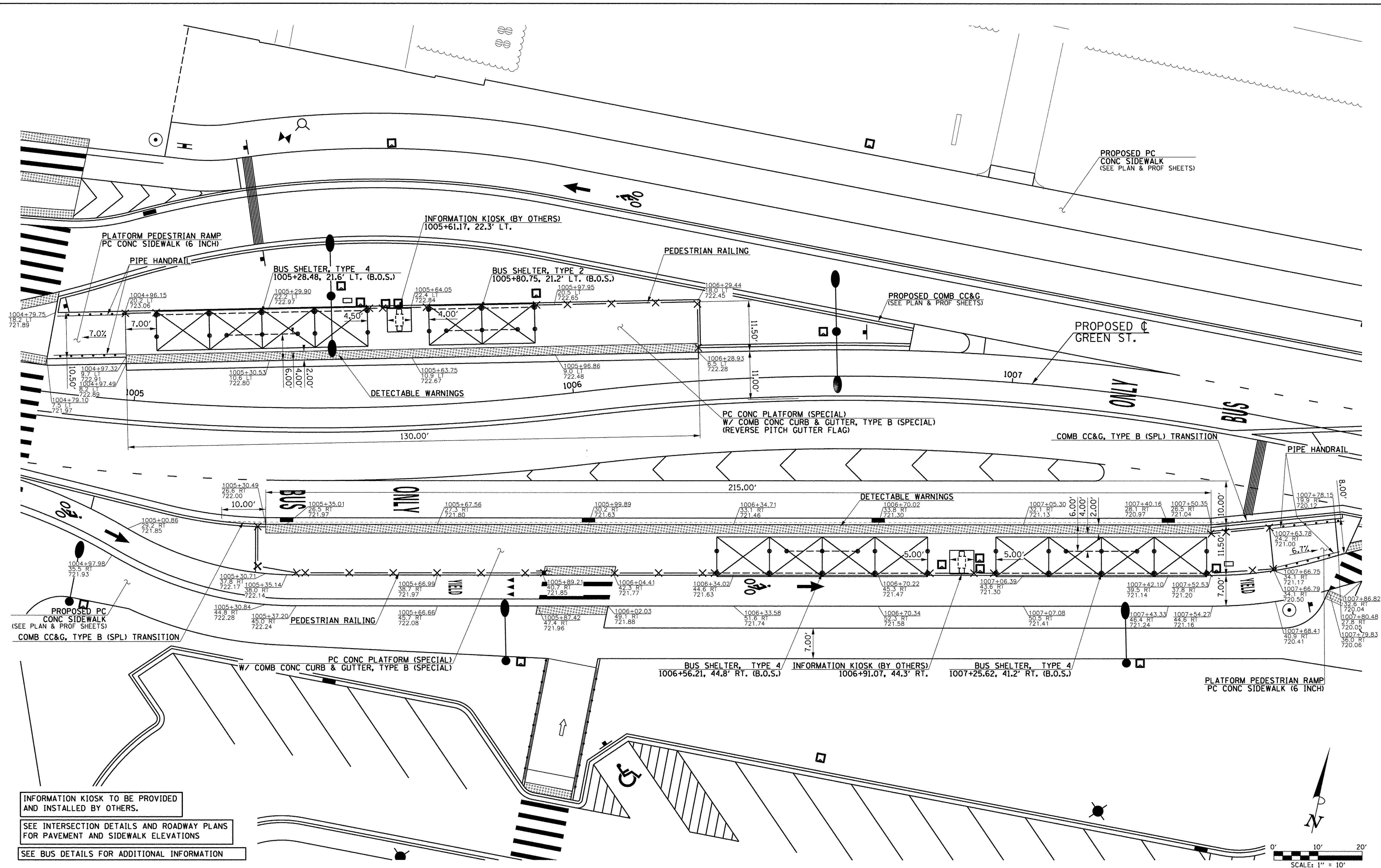
DESIGNED -	KRP	REVISED -	
DRAWN -	KRP	REVISED -	
CHECKED -	MPG	REVISED -	
DATE -	8/26/2016	REVISED -	

STATE OF ILLINOIS  
DEPARTMENT OF TRANSPORTATION

**BUS STOP DETAIL**  
**GREEN ST. & WRIGHT ST. (ILLINI UNION)**

SCALE: 1"=10' SHEET NO. OF SHEETS STA. TO STA.

F.A.U. RTE.	SECTION	COUNTY	TOTAL SHEETS	SHEET NO.
7126	15-00304-01-PV	CHAMPAIGN	236	82
MCORE PROJECT 1			CONTRACT NO. 91539	
JOB NO. C-95-305-16 ILLINOIS FED. AID PROJECT TIG-51810571				



INFORMATION KIOSK TO BE PROVIDED AND INSTALLED BY OTHERS.

SEE INTERSECTION DETAILS AND ROADWAY PLANS FOR PAVEMENT AND SIDEWALK ELEVATIONS

SEE BUS DETAILS FOR ADDITIONAL INFORMATION

LAYOUT	KRP	8/24/16
DRAWN	KRP	8/25/16
REVIEWED	NPC	8/25/16

FILE NAME =	Z:\Plans\sheets\Project1\P1-sht-WRT-bus02.dgn
DESIGNED -	KRP
DRAWN -	KRP
CHECKED -	
DATE -	8/26/2016

REVISED -	
REVISED -	
REVISED -	
REVISED -	

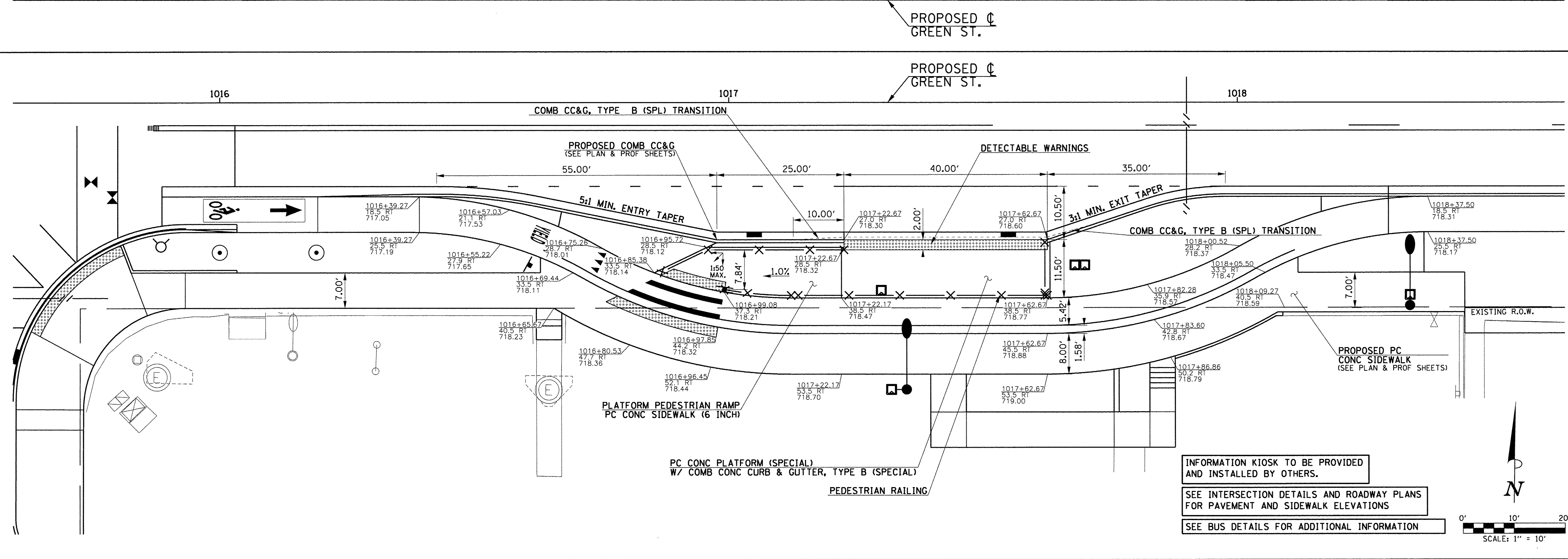
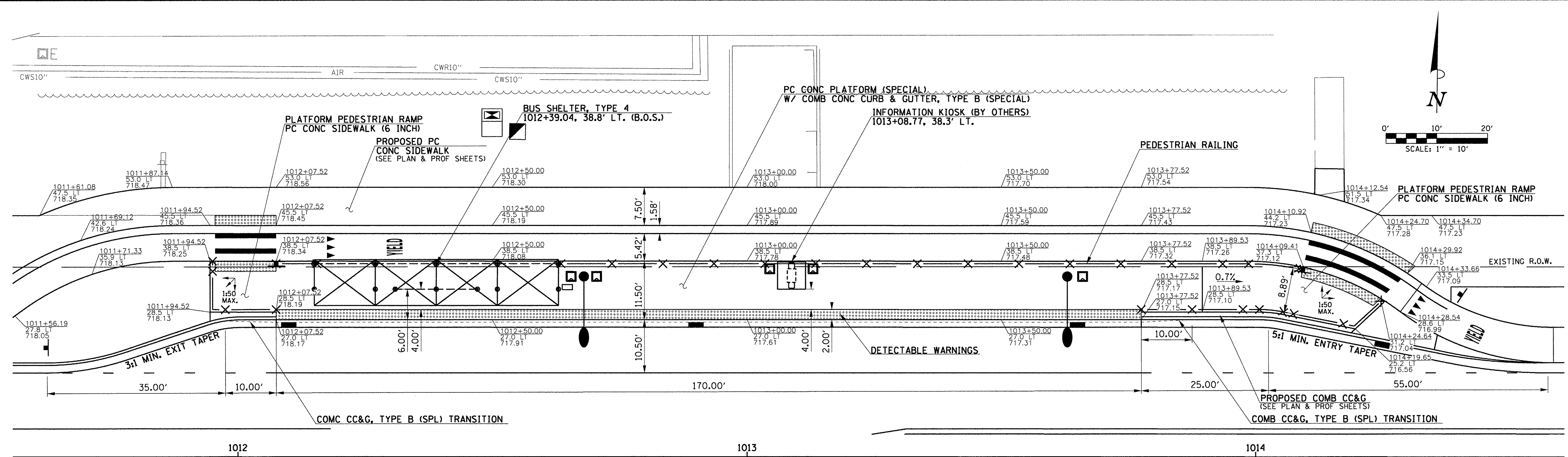
STATE OF ILLINOIS  
DEPARTMENT OF TRANSPORTATION

**BUS STOP DETAIL**  
**GREEN ST. & WRIGHT ST. (ILLINI UNION)**

SCALE: 1"=10' SHEET NO. OF SHEETS STA. TO STA.

F.A.U. RTE.	SECTION	COUNTY	TOTAL SHEETS	SHEET NO.
7126	15-00304-01-PV	CHAMPAIGN	236	83
MCORE PROJECT 1			CONTRACT NO. 91539	
JOB NO. C-95-305-16 ILLINOIS FED. AID PROJECT TIG-5181(057)				

TYLIN INTERNATIONAL



INFORMATION KIOSK TO BE PROVIDED AND INSTALLED BY OTHERS.  
 SEE INTERSECTION DETAILS AND ROADWAY PLANS FOR PAVEMENT AND SIDEWALK ELEVATIONS  
 SEE BUS DETAILS FOR ADDITIONAL INFORMATION

LAYOUT	KRP	8/24/16
DRAWN	KRP	8/25/16
REVIEWED	MPC	

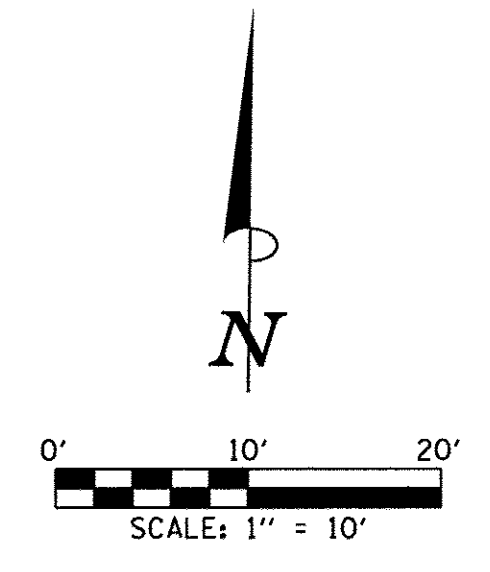
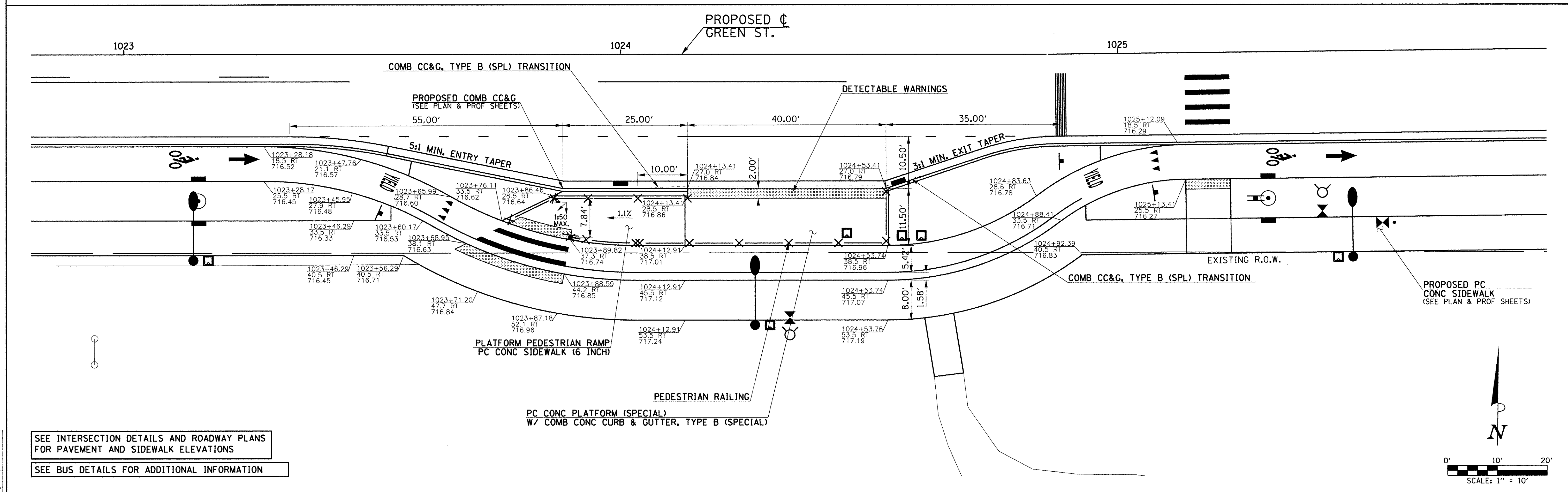
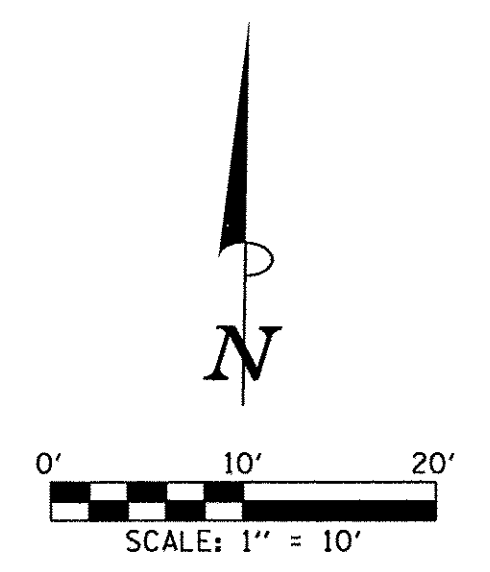
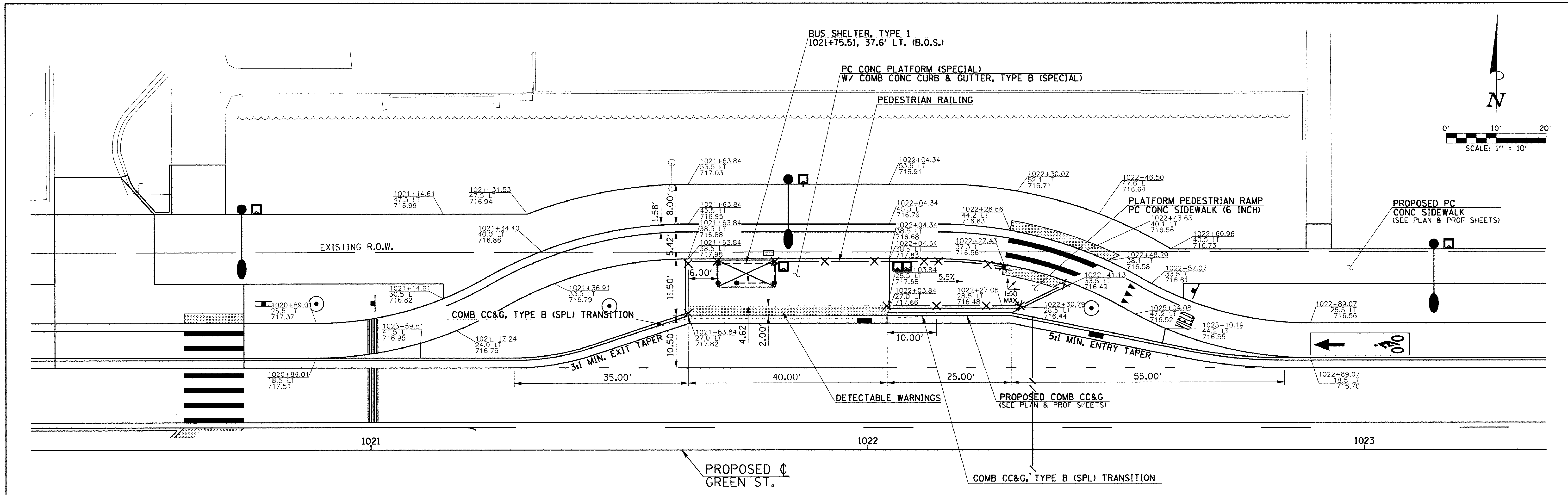
FILE NAME =	Z:\Plans\Sheets\Project1\P1-sht-GWN-bus.dgn
PLOT DATE =	8/25/2016 1:43:05 PM

DESIGNED -	KRP	REVISED -	
DRAWN -	KRP	REVISED -	
CHECKED -	MPC	REVISED -	
DATE -	8/26/2016	REVISED -	

STATE OF ILLINOIS  
 DEPARTMENT OF TRANSPORTATION

**BUS STOP DETAIL**  
**GREEN ST. & GOODWIN AVE.**  
 SCALE: 1"=10' SHEET NO. OF SHEETS STA. TO STA.

F.A.U. RTE.	SECTION	COUNTY	TOTAL SHEETS	SHEET NO.
7126	15-00304-01-FV	CHAMPAIGN	236	84
MCORE PROJECT 1		CONTRACT NO. 91539		
JOB NO. C-95-305-16 ILLINOIS FED. AID PROJECT TIG-51810571				



SEE INTERSECTION DETAILS AND ROADWAY PLANS FOR PAVEMENT AND SIDEWALK ELEVATIONS

SEE BUS DETAILS FOR ADDITIONAL INFORMATION

LAYOUT	KRP
DRAWN	KRP
REVIEWED	KRP
MPG	

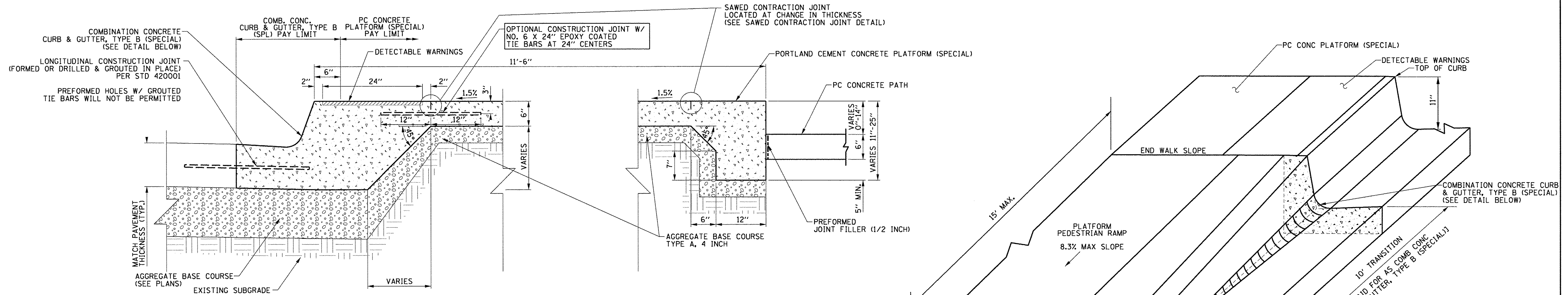
FILE NAME =	Z:\Plans\sheets\Project1\p1-sht-GRG-bus.dgn
PLOT DATE =	8/25/2016 1:43:17 PM

DESIGNED -	KRP	REVISED -	
DRAWN -	KRP	REVISED -	
CHECKED -	MPG	REVISED -	
DATE -	8/26/2016	REVISED -	

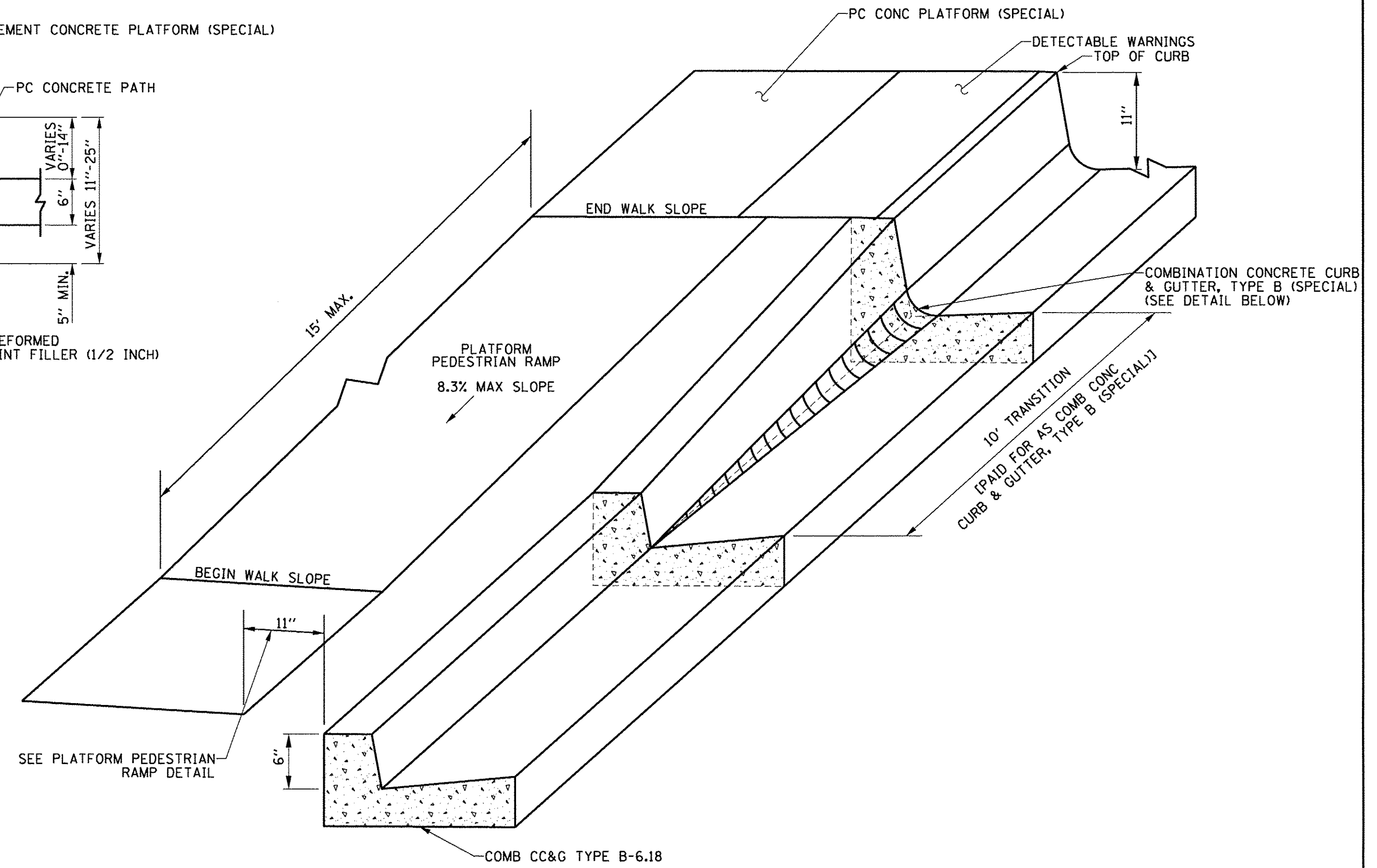
STATE OF ILLINOIS  
DEPARTMENT OF TRANSPORTATION

<b>BUS STOP DETAIL</b>			
<b>GREEN ST. &amp; GREGORY ST.</b>			
SCALE: 1"=10'	SHEET NO.	OF SHEETS	STA. TO STA.

F.A.U. RTE.	SECTION	COUNTY	TOTAL SHEETS	SHEET NO.
7126	15-00304-01-PV	CHAMPAIGN	236	85
MCORE PROJECT 1			CONTRACT NO. 91539	
JOB NO. C-95-305-16 ILLINOIS FED. AID PROJECT TIG-5181057				

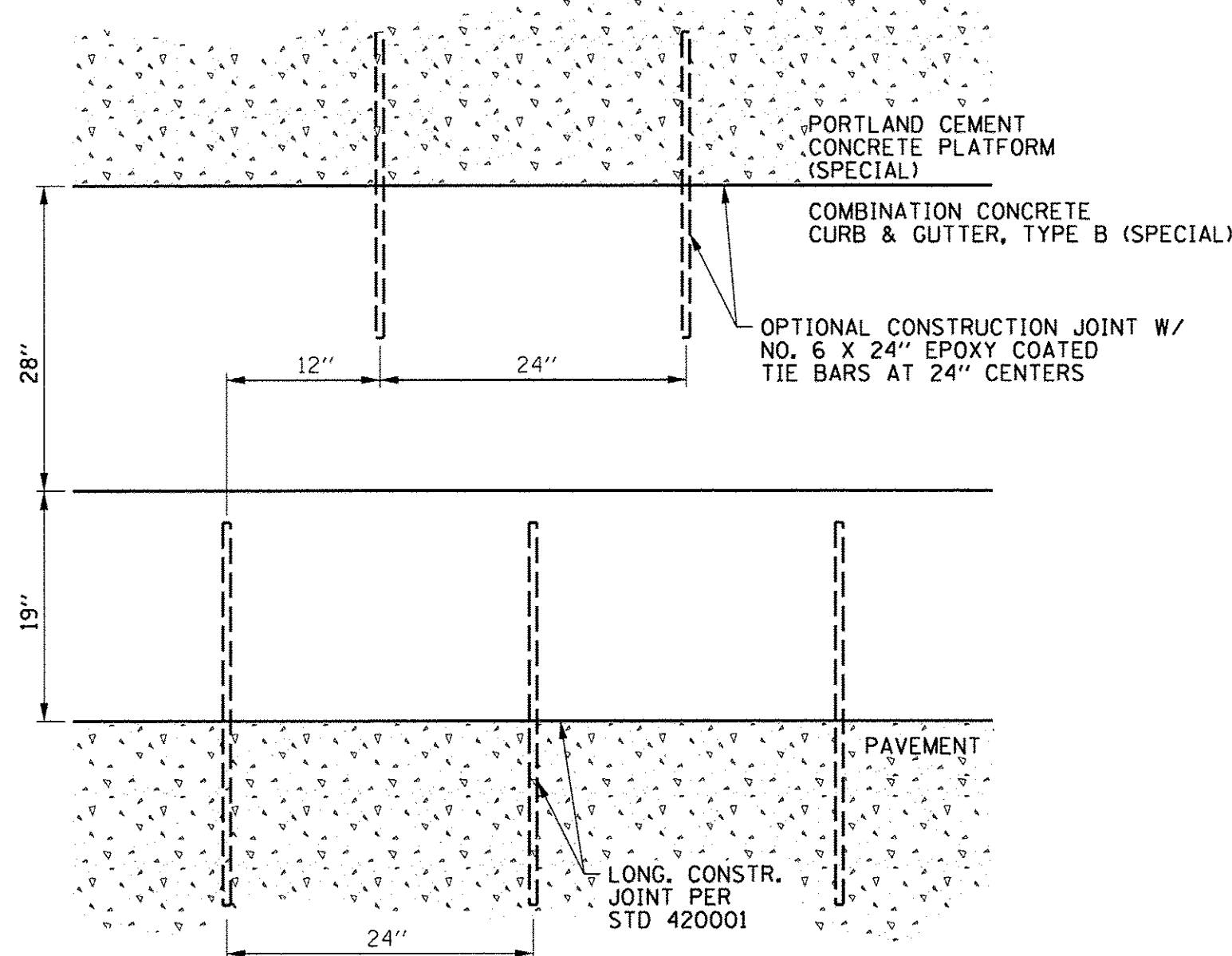


**PORTLAND CEMENT CONCRETE PLATFORM (SPECIAL) DETAIL**  
SCALE: NONE

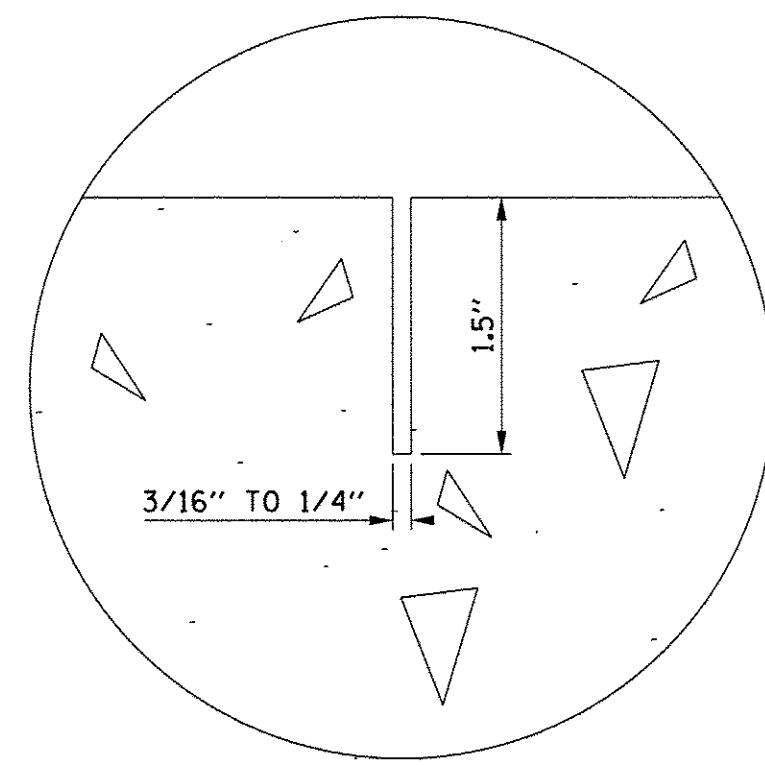


**COMBINATION CONCRETE CURB & GUTTER, TYPE B (SPECIAL) TRANSITION DETAIL**  
SCALE: NONE

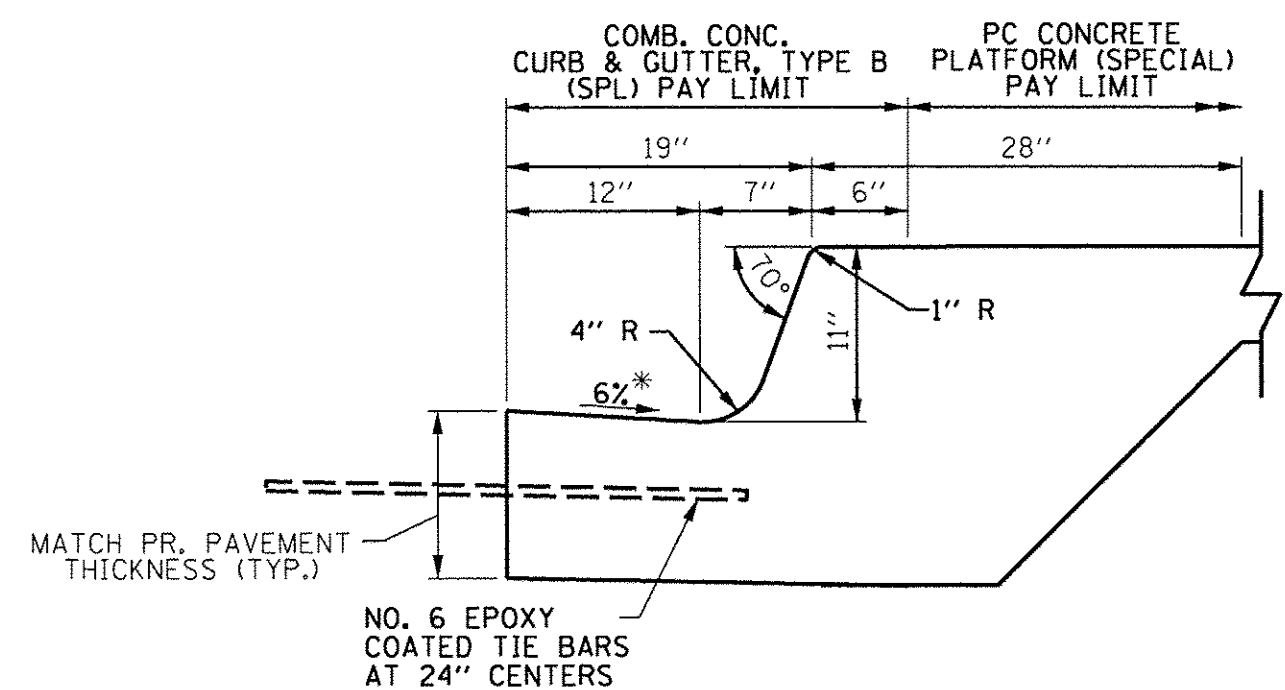
NOTE: TRANSIT PLATFORM PEDESTRIAN RAMPS EXCEEDING 6" IN ELEVATION CHANGE REQUIRE HANDRAIL PER ADA REQUIREMENTS. SEE PLANS FOR EXTENT OF HANDRAIL.



**COMBINATION CONCRETE CURB & GUTTER, TYPE B (SPECIAL) TIE-BAR SPACING DETAIL**  
SCALE: NONE

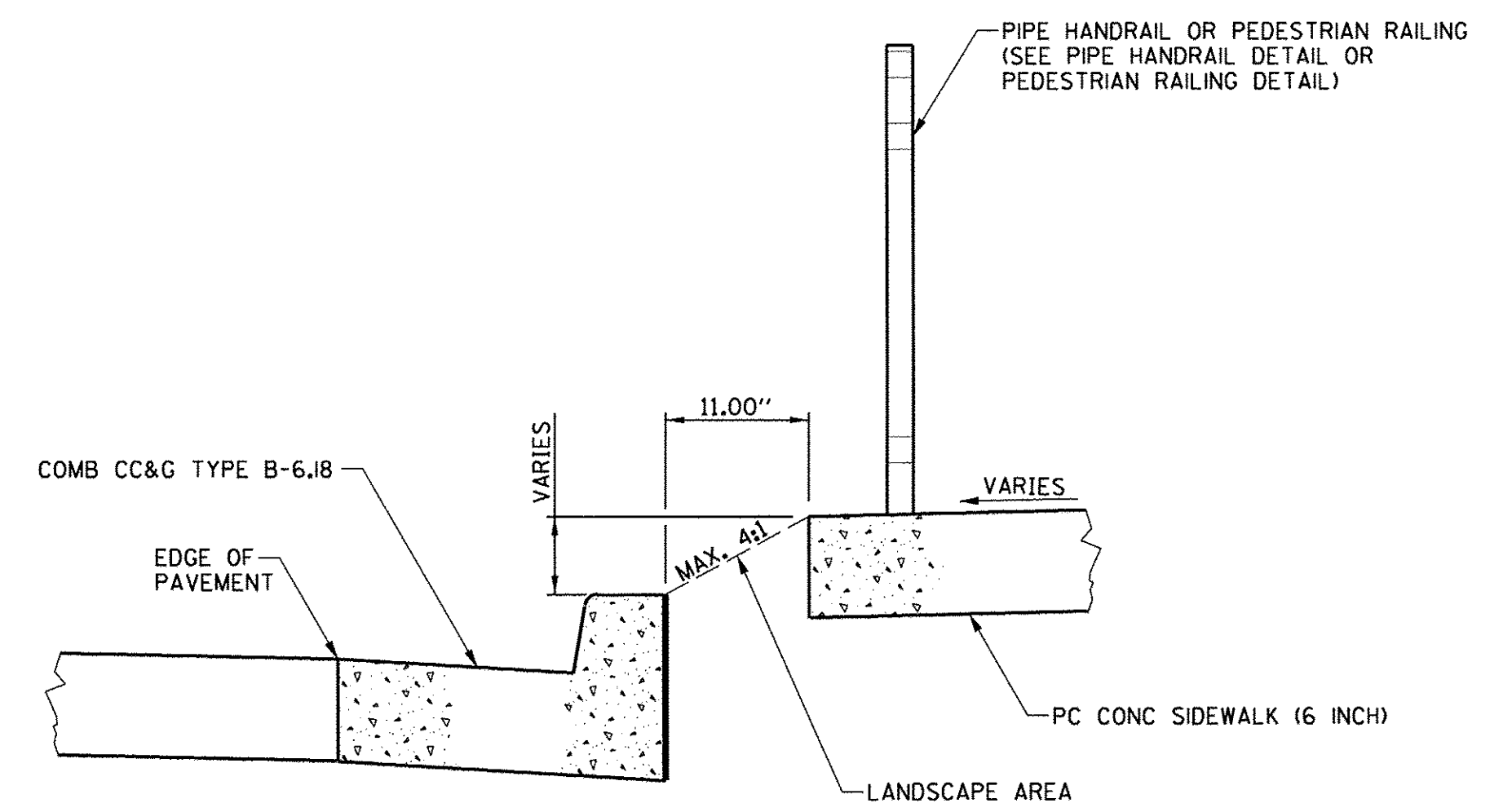


**SAWED CONTRACTION JOINT DETAIL**  
SCALE: NONE



**COMBINATION CONCRETE CURB & GUTTER, TYPE B (SPECIAL) ADJACENT TO PLATFORM**  
SCALE: NONE

\* REVERSE PITCH GUTTER FLAG AT 2% WHERE NOTED ON THE PLANS



**PLATFORM PEDESTRIAN RAMP DETAIL**  
SCALE: NONE

LAYOUT	KRP	8/24/16
DRAWN	KRP	8/25/16
REVIEWED	MPG	

FILE NAME = Z:\Plans\Sheets\Project1\P1-sht-detail\_BUS\_01.dgn  
PLOT DATE = 8/25/2016 12:34:43 PM

DESIGNED - KRP  
DRAWN -  
CHECKED -  
DATE - 8/26/2016

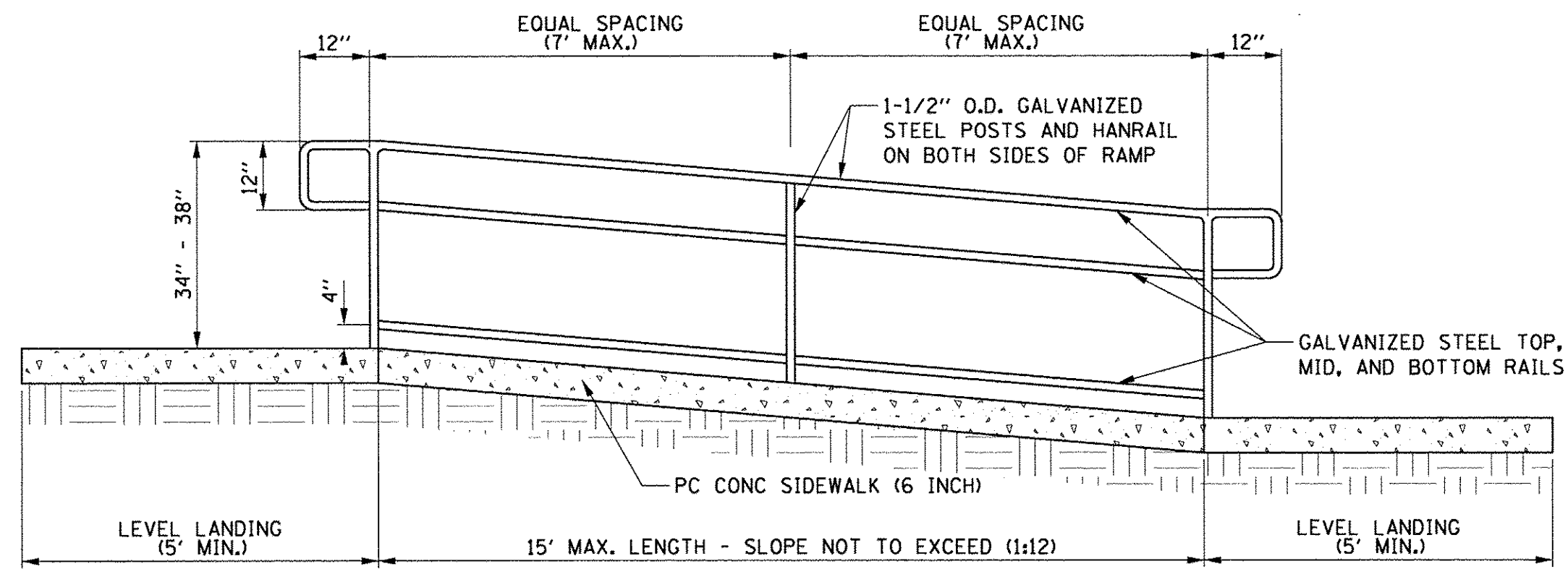
REVISED -  
REVISED -  
REVISED -  
REVISED -

STATE OF ILLINOIS  
DEPARTMENT OF TRANSPORTATION

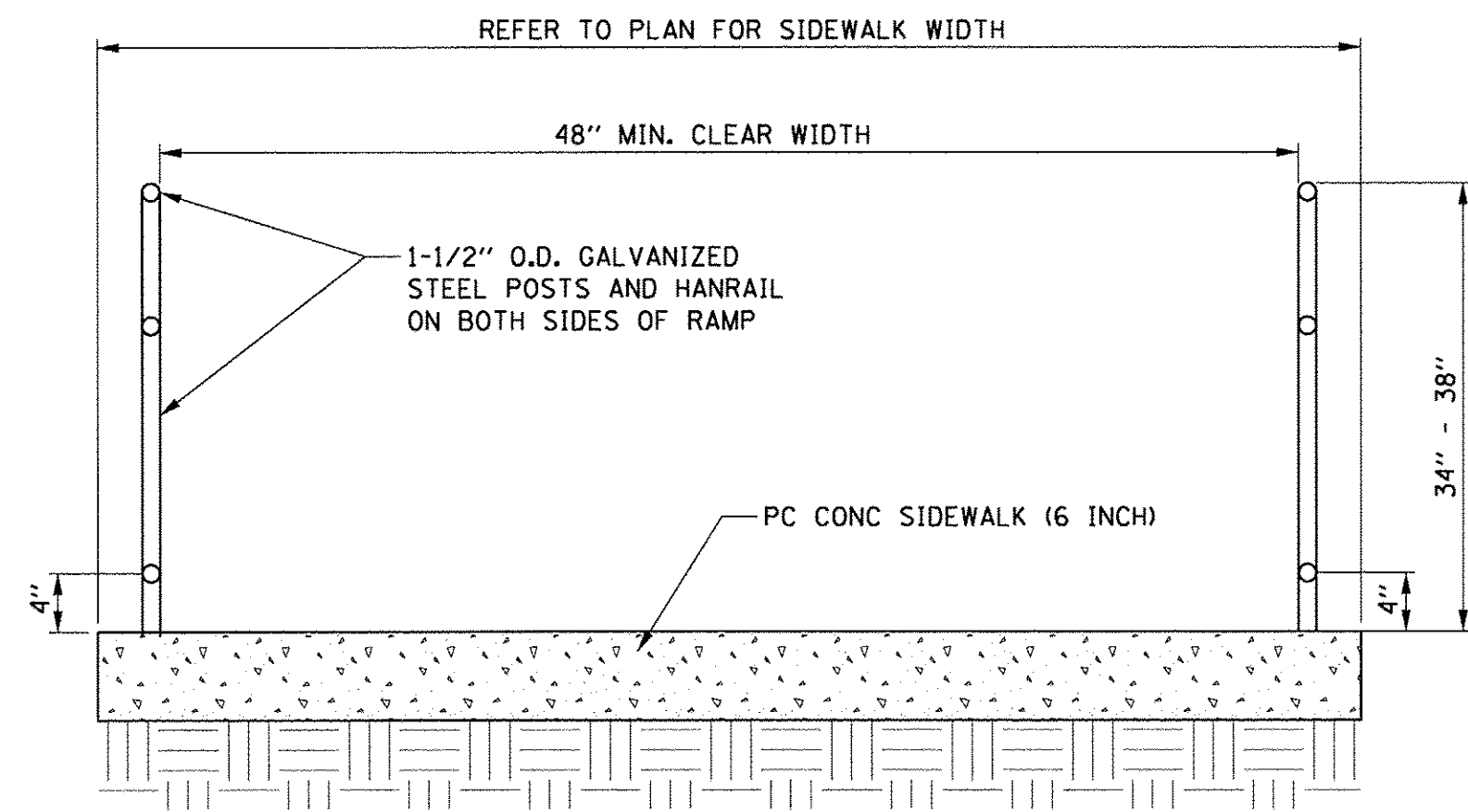
BUS DETAILS  
PC CONCRETE PLATFORM

SCALE: N/A SHEET NO. OF SHEETS STA. TO STA.

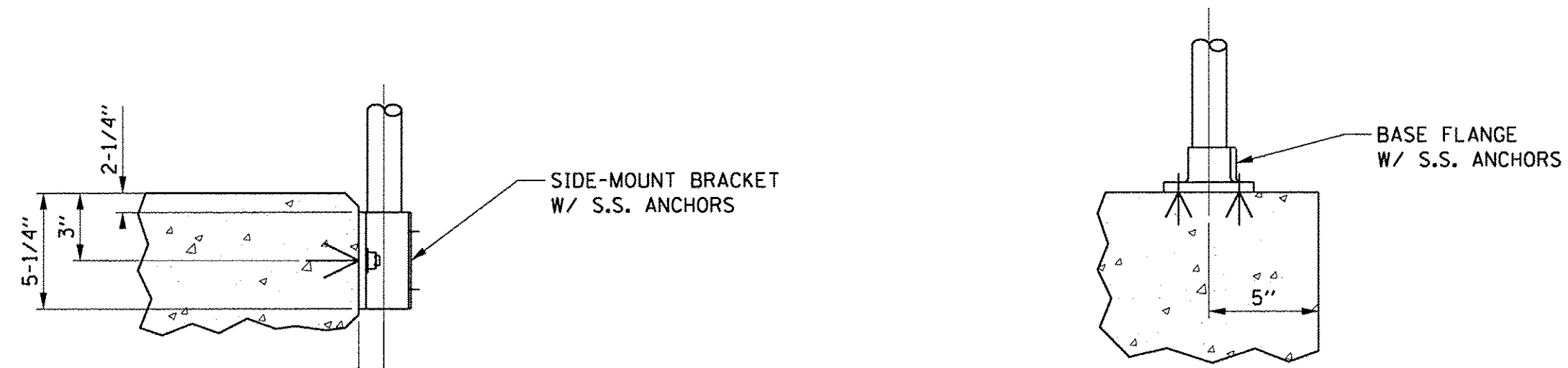
F.A.U. RTE.	SECTION	COUNTY	TOTAL SHEETS	SHEET NO.
7126	15-00304-01-PV	CHAMPAIGN	236	86
MCORE PROJECT 1		CONTRACT NO. 91539		
JOB NO. C-95-305-16 ILLINOIS FED. AID PROJECT TIG-51810571				



SIDEWALK RAMP W/ HANDRAILS - SIDE VIEW



SIDEWALK RAMP W/ HANDRAILS - END VIEW



TYPICAL SIDE MOUNT CONNECTION

TYPICAL SURFACE MOUNT CONNECTION

**PIPE HANDRAIL DETAIL**  
SCALE: NONE

- NOTE: 1) ANCHOR ASSEMBLY SHALL BE TO THE DIAMETER AND DEPTH REQUIRED BY THE MANUFACTURER
- 2) HANDRAIL PRE-PRIMER AND PRIMER COATS SHALL BE FACTORY APPLIED; ALL FINISH COATS SHALL BE FIELD APPLIED BLACK EPOXY TO MATCH PEDESTRIAN RAILING
- 3) PIPE HANDRAIL TO BE INSTALLED AT ALL PLATFORM PEDESTRIAN RAMPS TO THE EXTENTS SHOWN ON THE PLANS

LAYOUT	KRP
DRAWN	KRP
REVIEWED	KRP
DATE	8/25/2016
TIME	12:34:47 PM

FILE NAME =	Z:\Plans\sheets\Project1\P1-sht-detail_BUS_02.dgn
PLOT DATE =	8/25/2016 12:34:47 PM

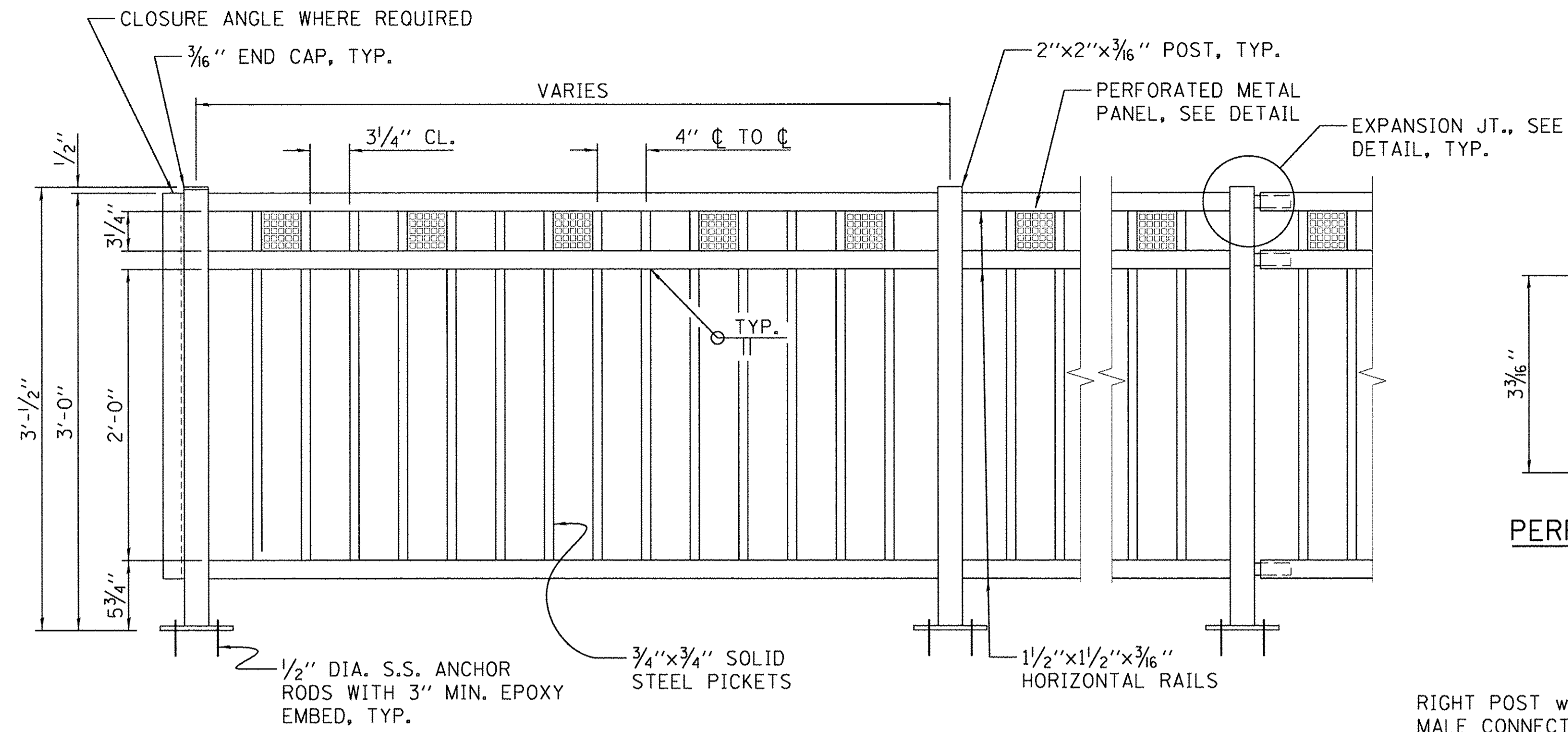
DESIGNED -	KRP	REVISED -	
DRAWN -	KRP	REVISED -	
CHECKED -	MPG	REVISED -	
DATE -	8/26/2016	REVISED -	

STATE OF ILLINOIS  
DEPARTMENT OF TRANSPORTATION

**BUS DETAILS  
PIPE HANDRAIL**

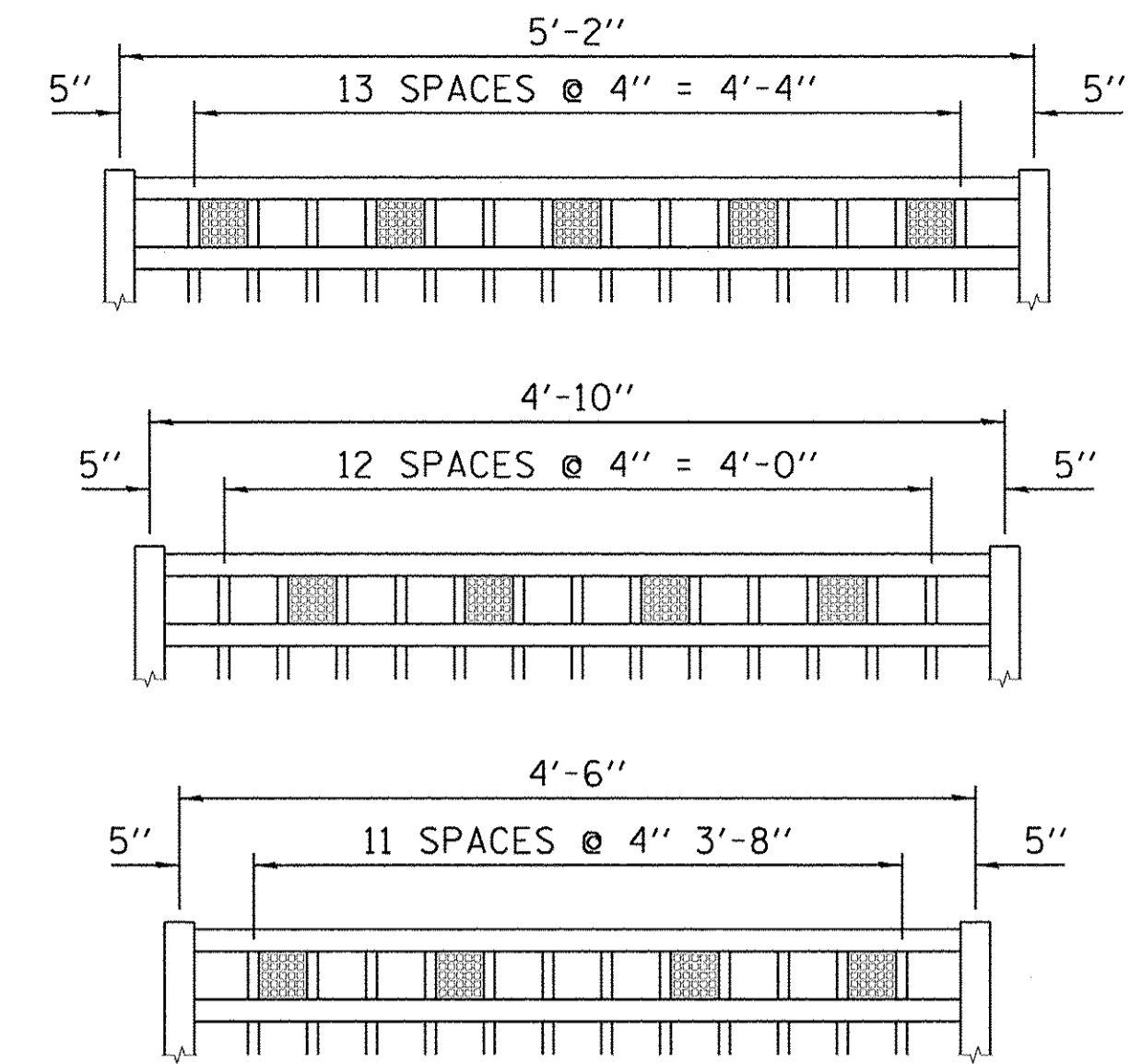
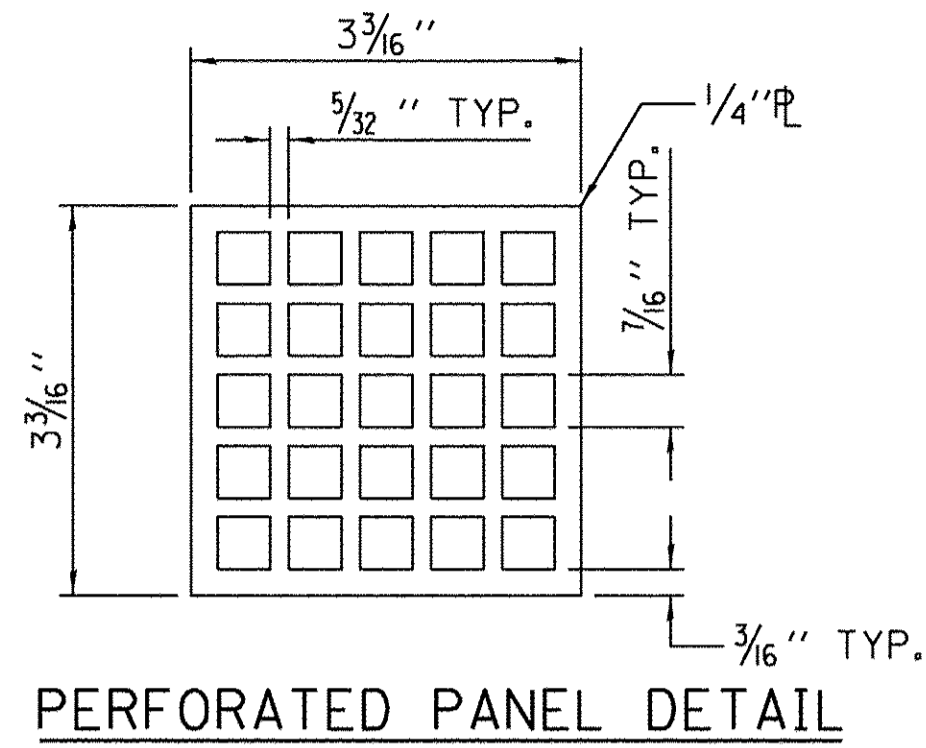
SCALE: N/A SHEET NO. OF SHEETS STA. TO STA.

F.A.U. RTE.	SECTION	COUNTY	TOTAL SHEETS	SHEET NO.
7126	15-00304-01-PV	CHAMPAIGN	236	87
MCCORE PROJECT 1			CONTRACT NO. 91539	
JOB NO. C-95-305-16 ILLINOIS FED. AID PROJECT TIG-518(057)				

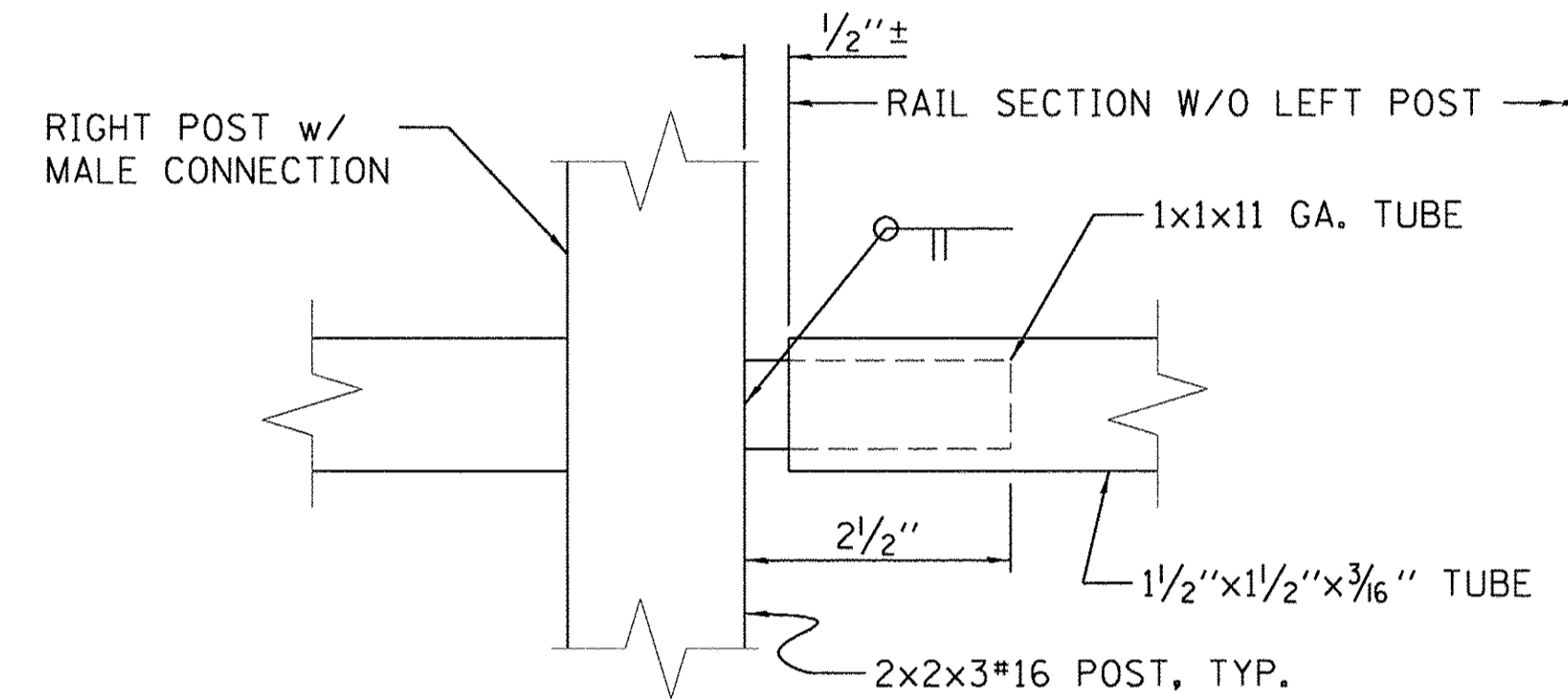


**PEDESTRIAN RAILING**

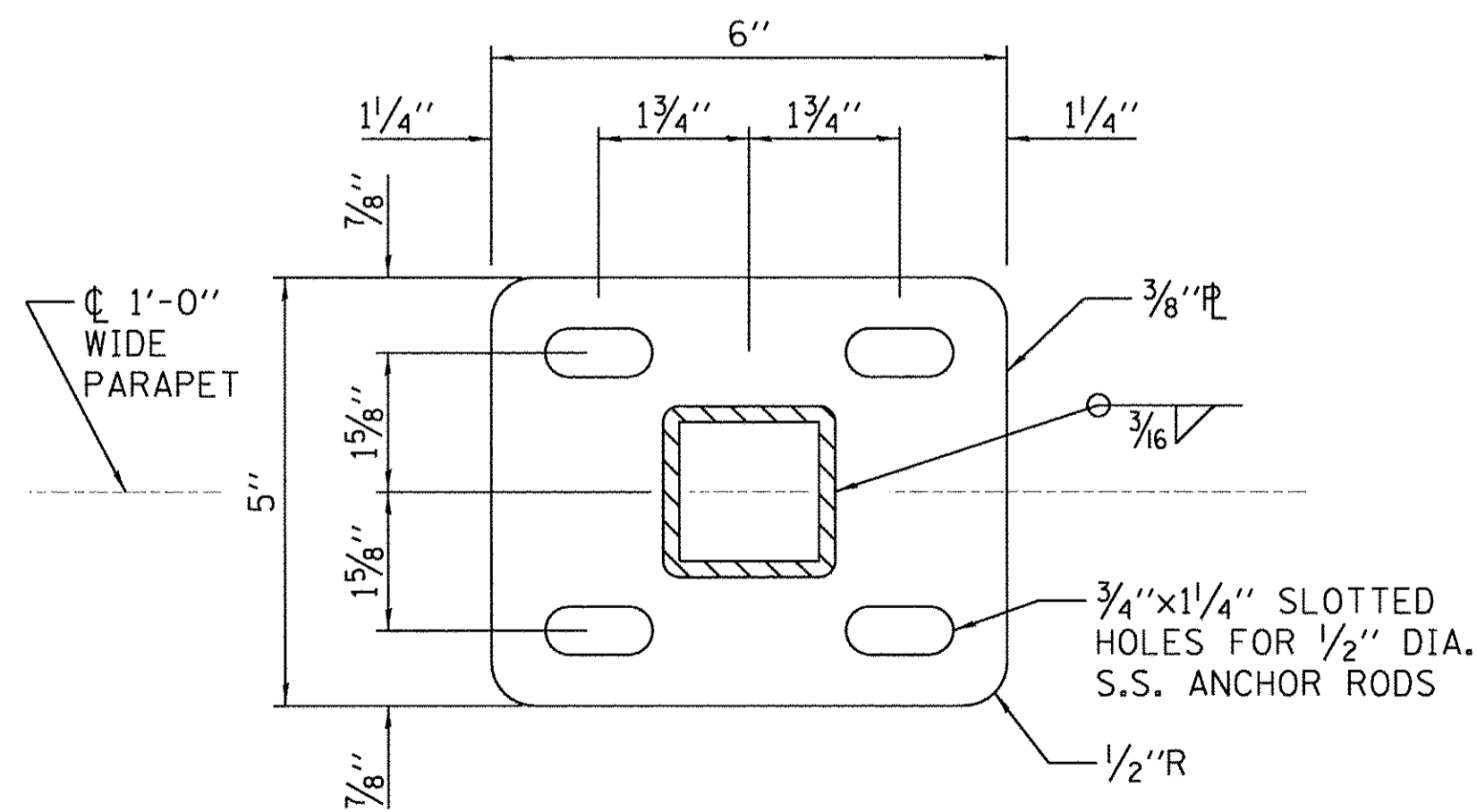
NOTE:  
 ALL POST, RAILING, SPLICES, ANCHOR DEVICES, AND PLATES SHALL BE GALVANIZED AND PAINTED. SEE SPECIAL PROVISIONS.



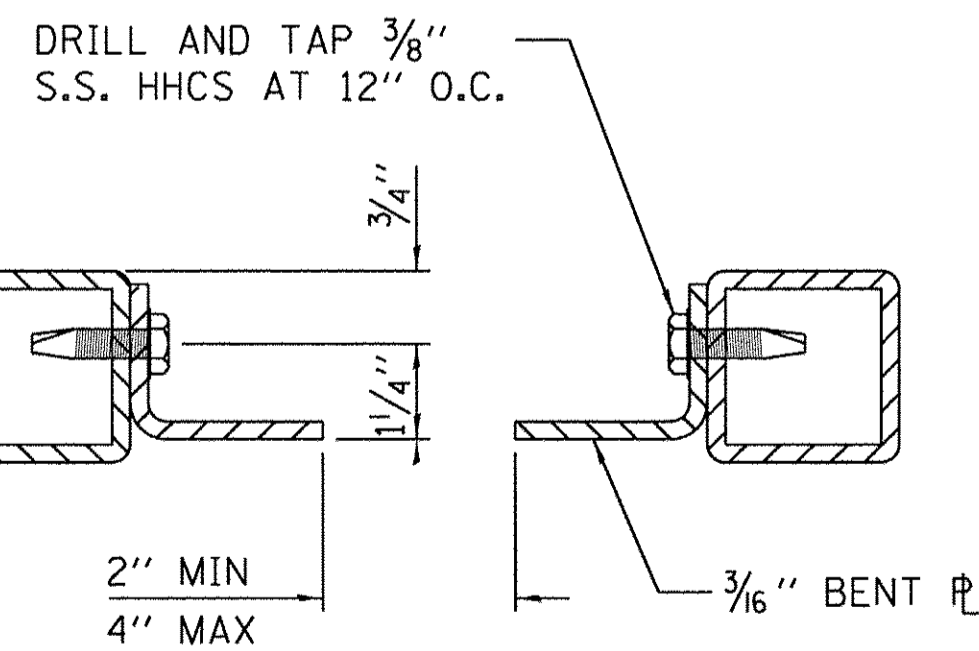
**PERFORATED PANEL PLACEMENT AND PICKET SPACING**



**EXPANSION JOINT**



**BASE PLATE**



**CLOSURE ANGLE**

LAYOUT	KRP
DRAWN	KRP
REVIEWED	KRP
MFG	MFG

FILE NAME = Z:\Plans\sheet\Project1\PI-sht-detail\_BUS\_03.dgn  
 PLOT DATE = 8/25/2016 12:34:49 PM

DESIGNED - KRP  
 DRAWN - KRP  
 CHECKED - MPG  
 DATE - 8/26/2016

REVISED -  
 REVISED -  
 REVISED -  
 REVISED -

STATE OF ILLINOIS  
 DEPARTMENT OF TRANSPORTATION

**BUS DETAILS  
 PEDESTRIAN RAILING**

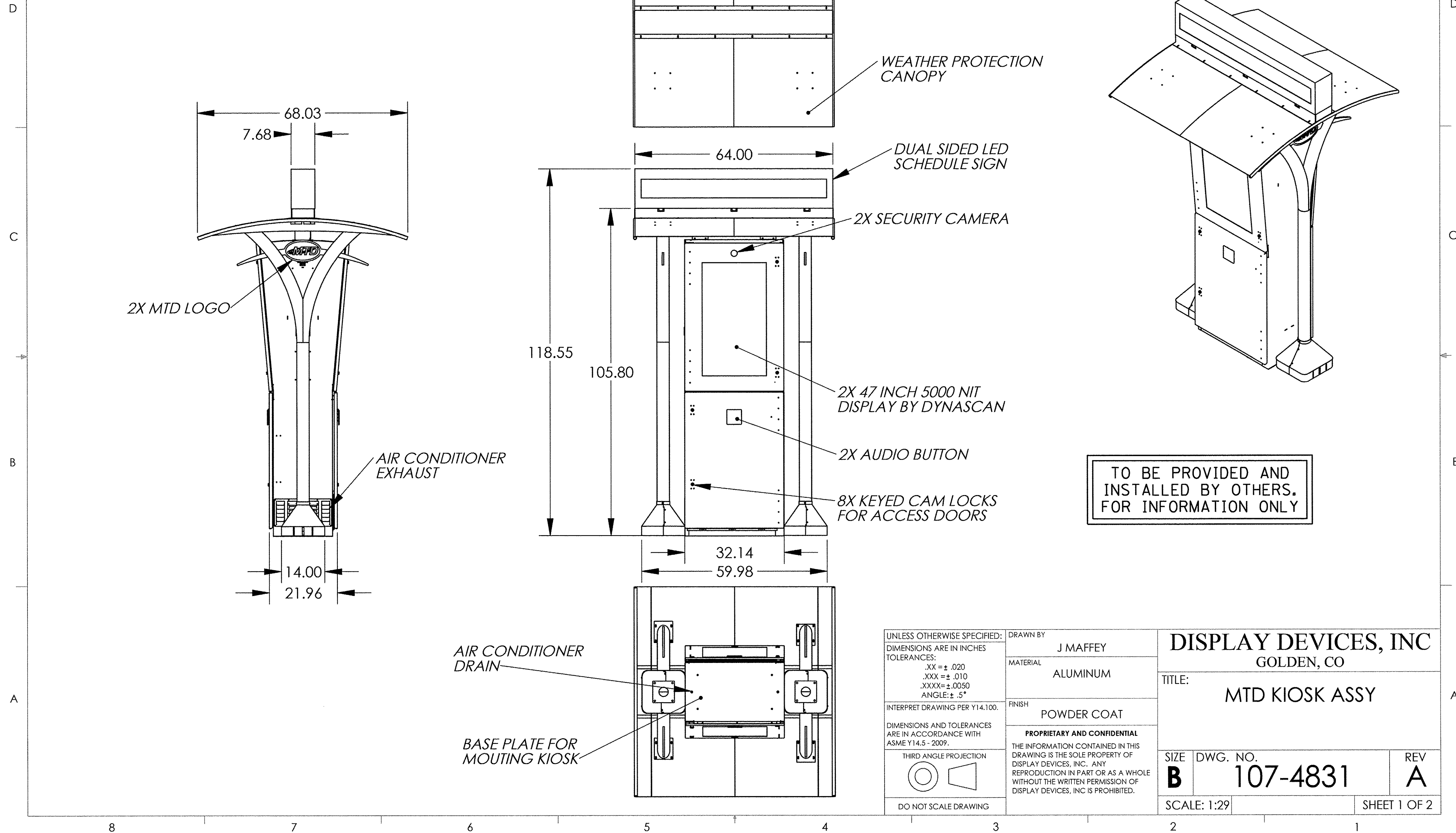
SCALE: N/A SHEET NO. OF SHEETS STA. TO STA.

F.A.U. RTE.	SECTION	COUNTY	TOTAL SHEETS	SHEET NO.
7126	15-00304-01-PV	CHAMPAIGN	236	88
MCORE PROJECT 1			CONTRACT NO. 91539	
JOB NO. C-95-305-16 ILLINOIS FED. AID PROJECT TIG-51810571				



NOTES:

- 1. DEBUR ALL SHARP EDGES.
- 2. ALL THREADS TO BE FREE OF POWDER COAT AND, OR PAINT.
- 3. Δ INDICATES CHANGE AT LAST REVISION



UNLESS OTHERWISE SPECIFIED: DIMENSIONS ARE IN INCHES TOLERANCES: .XX = ± .020 .XXX = ± .010 .XXXX = ± .0050 ANGLE: ± .5°	DRAWN BY J MAFFEY	DISPLAY DEVICES, INC GOLDEN, CO	
	MATERIAL ALUMINUM	TITLE: MTD KIOSK ASSY	
INTERPRET DRAWING PER Y14.100.	FINISH POWDER COAT	SIZE <b>B</b>	DWG. NO. 107-4831
DIMENSIONS AND TOLERANCES ARE IN ACCORDANCE WITH ASME Y14.5 - 2009.	THIRD ANGLE PROJECTION 	REV <b>A</b>	SHEET 1 OF 2
DO NOT SCALE DRAWING	SCALE: 1:29		

INFORMATION KIOSK DETAIL  
SCALE: NONE

LAYOUT	KRP	8/24/16
DRAWN	KRP	8/24/16
REVIEWED	MPG	8/25/16

FILE NAME = Z:\Plans\sheets\Project1\P1-sht-detail\_BUS\_04.dgn  
PLOT DATE = 8/25/2016 12:34:58 PM

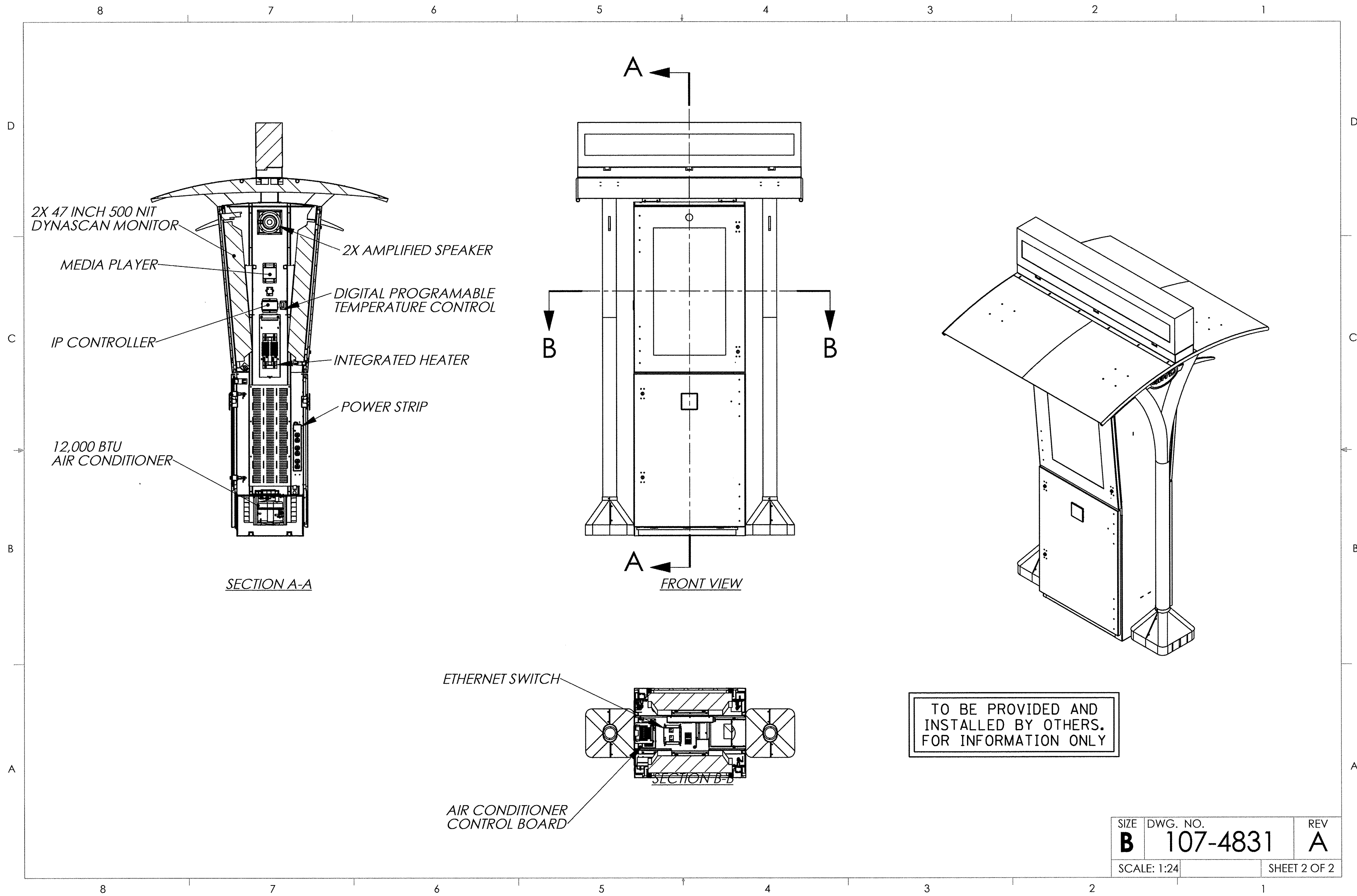
DESIGNED - KRP	REVISED -
DRAWN - KRP	REVISED -
CHECKED - MPG	REVISED -
DATE - 8/26/2016	REVISED -

STATE OF ILLINOIS  
DEPARTMENT OF TRANSPORTATION

BUS DETAILS  
INFORMATION KIOSK

SCALE: N/A SHEET NO. OF SHEETS STA. TO STA.

F.A.U. RTE.	SECTION	COUNTY	TOTAL SHEETS	SHEET NO.
7126	15-00304-01-PV	CHAMPAIGN	236	89
MCORE PROJECT 1			CONTRACT NO. 91539	
JOB NO. C-95-305-16 ILLINOIS FED. AID PROJECT TIG-5181057				



SIZE	DWG. NO.	REV
<b>B</b>	<b>107-4831</b>	<b>A</b>
SCALE: 1:24		SHEET 2 OF 2

**INFORMATION KIOSK DETAIL**  
SCALE: NONE

LAYOUT	KRP	8/24/16
DRAWN	KRP	8/24/16
REVIEWED	MPG	8/25/16

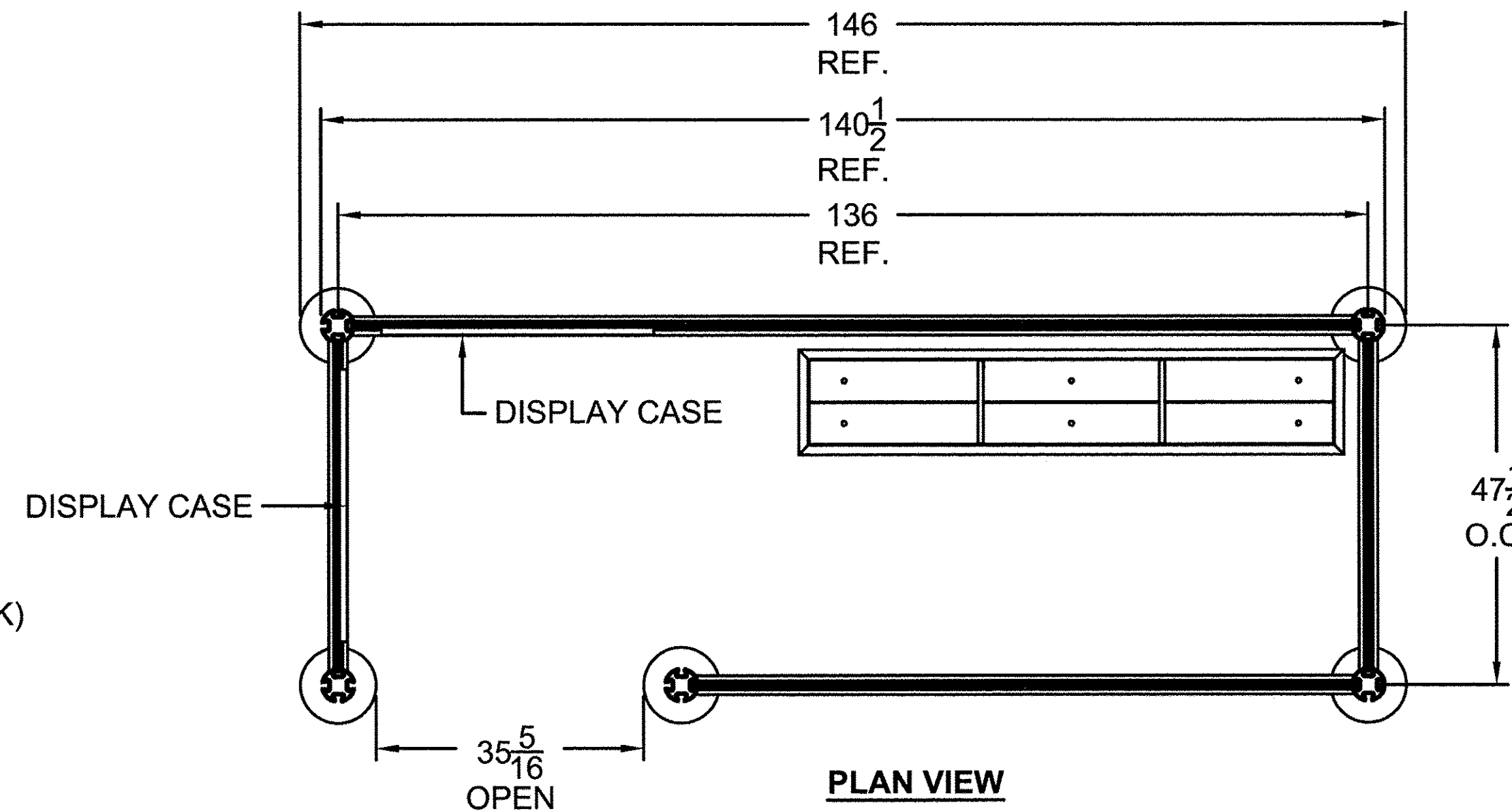
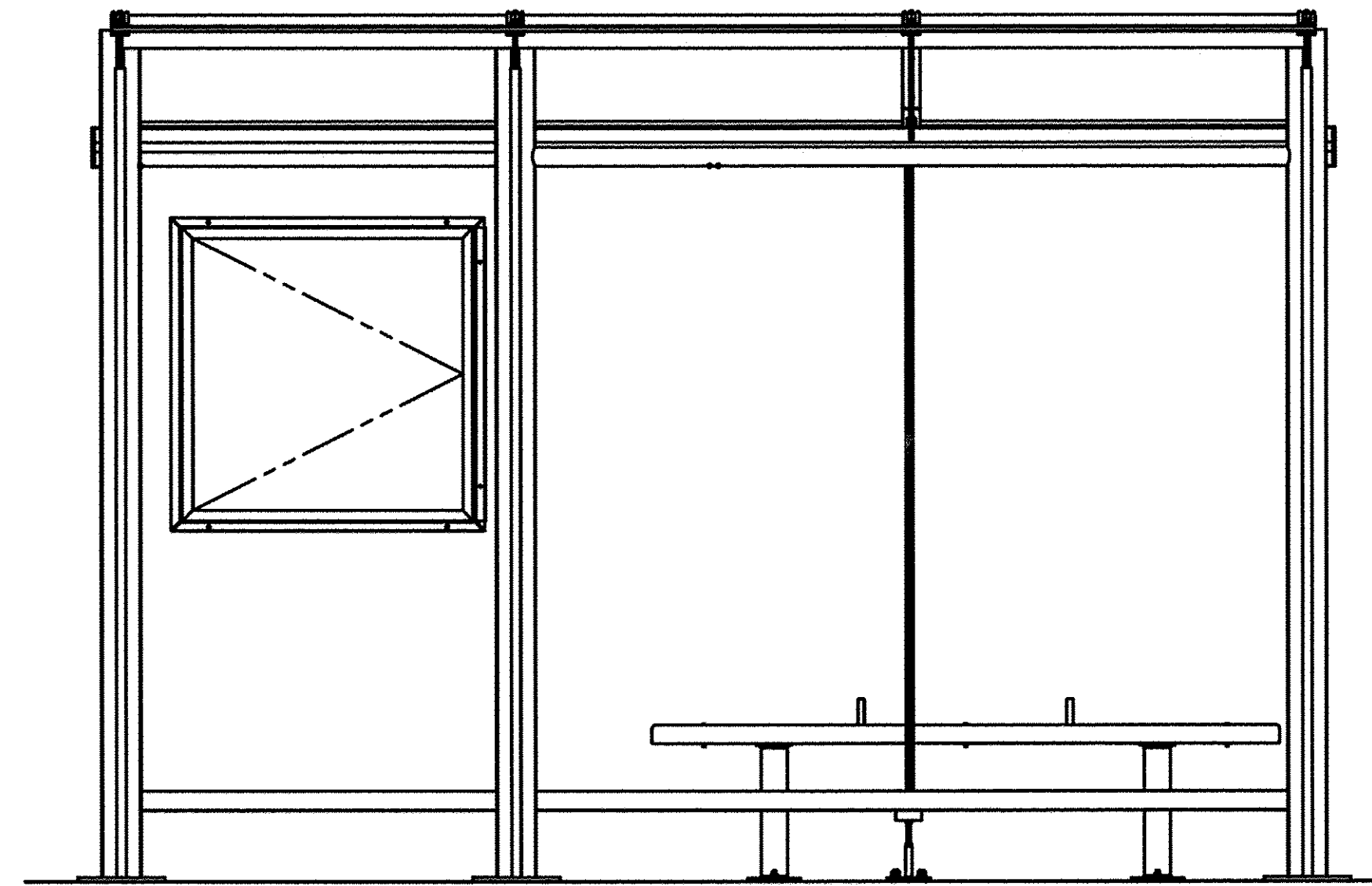
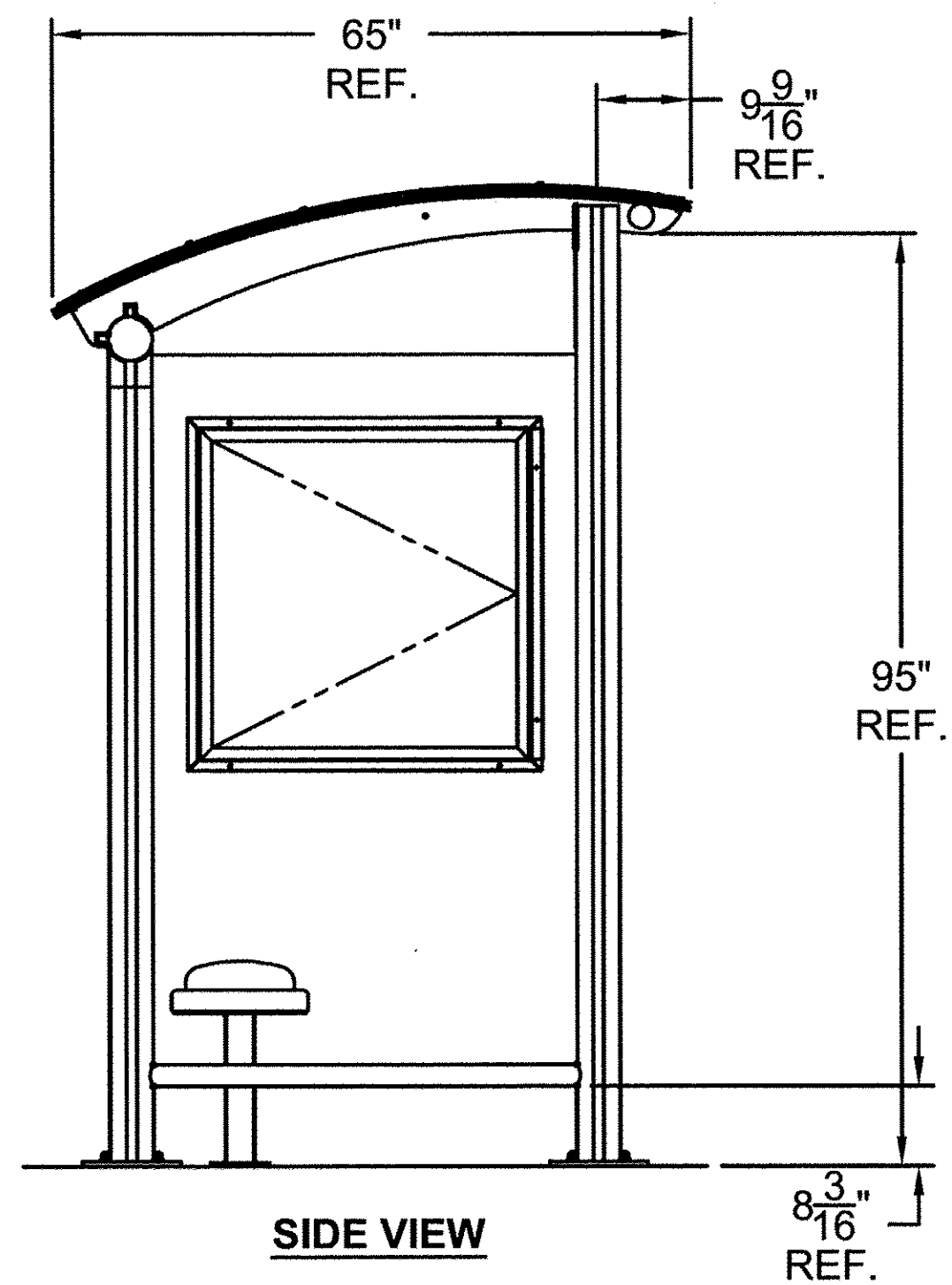
FILE NAME =	Z:\Plans\sheets\Project1\P1-sht-detail_BUS_05.dgn
PLOT DATE =	8/25/2016 12:35:15 PM

DESIGNED -	KRP	REVISED -	
DRAWN -	KRP	REVISED -	
CHECKED -	MPG	REVISED -	
DATE -	8/26/2016	REVISED -	

STATE OF ILLINOIS  
DEPARTMENT OF TRANSPORTATION

<b>BUS DETAILS</b>			
<b>INFORMATION KIOSK</b>			
SCALE: N/A	SHEET NO.	OF SHEETS	STA. TO STA.

F.A.U. RTE.	SECTION	COUNTY	TOTAL SHEETS	SHEET NO.
7126	15-00304-01-PV	CHAMPAIGN	236	90
MCORE PROJECT 1		CONTRACT NO. 91539		
JOB NO. C-95-305-16 ILLINOIS FED. AID PROJECT TIG-51810571				



**QUANTITY (xx) SHELTERS THUS SPECIFICATIONS:**

- POWDER COATED ALUMINUM STRUCTURE (RAL 9017 TRAFFIC BLACK)
- 3/8" CLEAR TEMPERED SAFETY GLASS
- BRONZE ARCHED ROOF
- 1' ECLIPSE LIGHT
- 6' ECLIPSE HDPE BENCH
- (2) 3' X 3' DISPLAY CASES



**BRASCO INTERNATIONAL, INC.**

32400 INDUSTRIAL DRIVE  
MADISON HEIGHTS, MICHIGAN 48071  
1-800-893-3665 WWW.BRASCO.COM

THIS DRAWING IS CONFIDENTIAL AND IS FOR THE SOLE USE OF OUR CUSTOMERS AND MAY NOT BE REPRODUCED OR COPIED WITHOUT WRITTEN PERMISSION FROM BRASCO INTERNATIONAL.  
**LEAD TIME BEGINS UPON RECEIPT OF SIGNED APPROVAL.**

© SIGNED: \_\_\_\_\_ DATE: \_\_\_\_\_

CUSTOMER:	CHAMPAIGN URBANA	ENGINEER:	ZTL
PROJECT:	ARCHED ROOF STYLE TRANSIT SHELTER	DATE:	3-1-16
MODEL:	ECLIPSE SERIES - EC0512-AR-AC-25	CHECKER:	XX
JOB #	XXXX	DATE:	YY
		SHEET #:	2

**BUS SHELTER, TYPE 1**  
SCALE: NONE

LAYOUT	KRP
DRAWN	KRP
REVIEWED	MPG

FILE NAME = Z:\Plans\sheets\Project1\P1-sht-detail\_BUS\_06.dgn  
PLOT DATE = 8/25/2016 12:35:32 PM

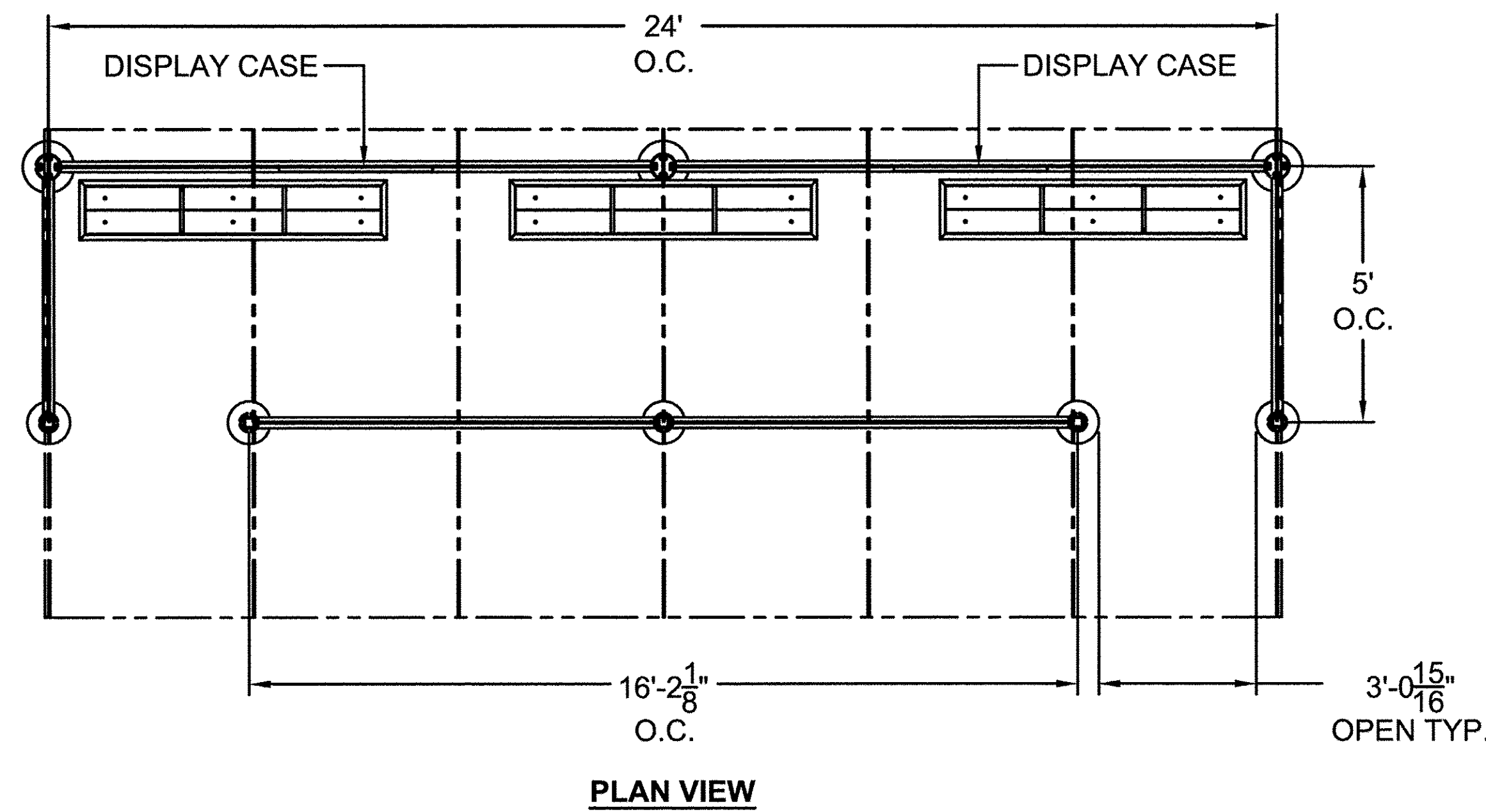
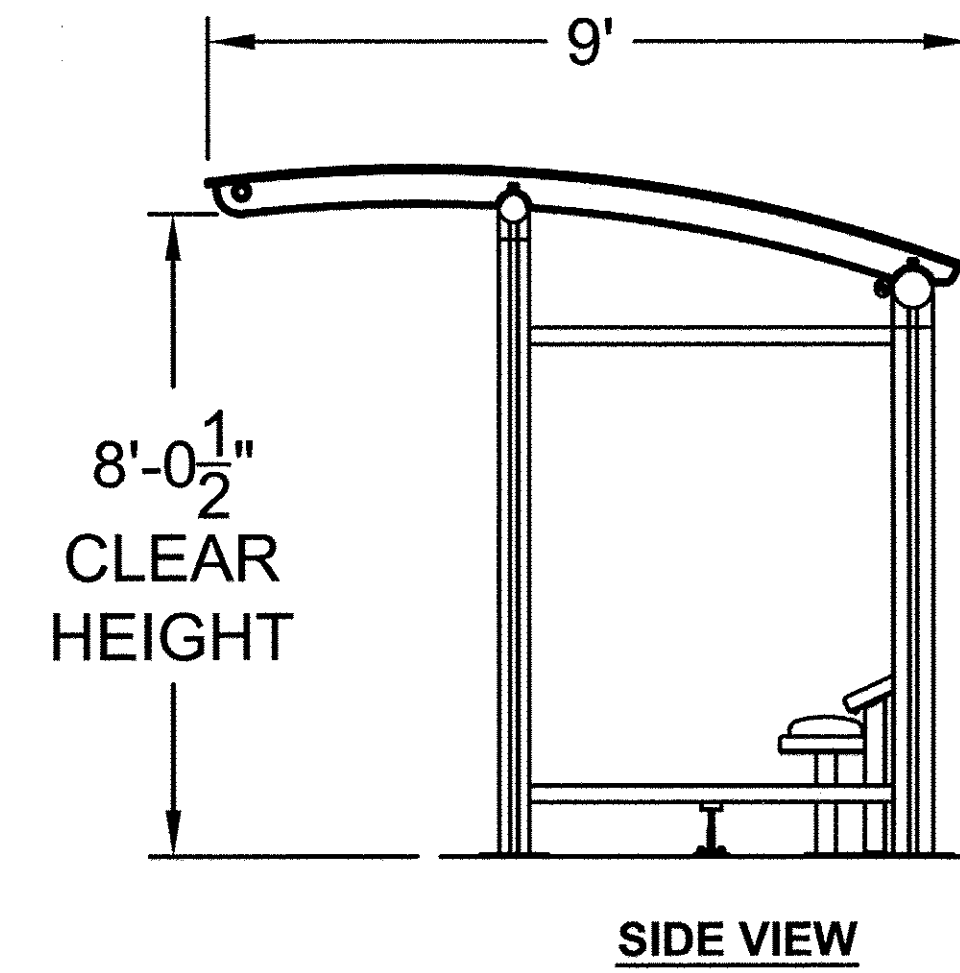
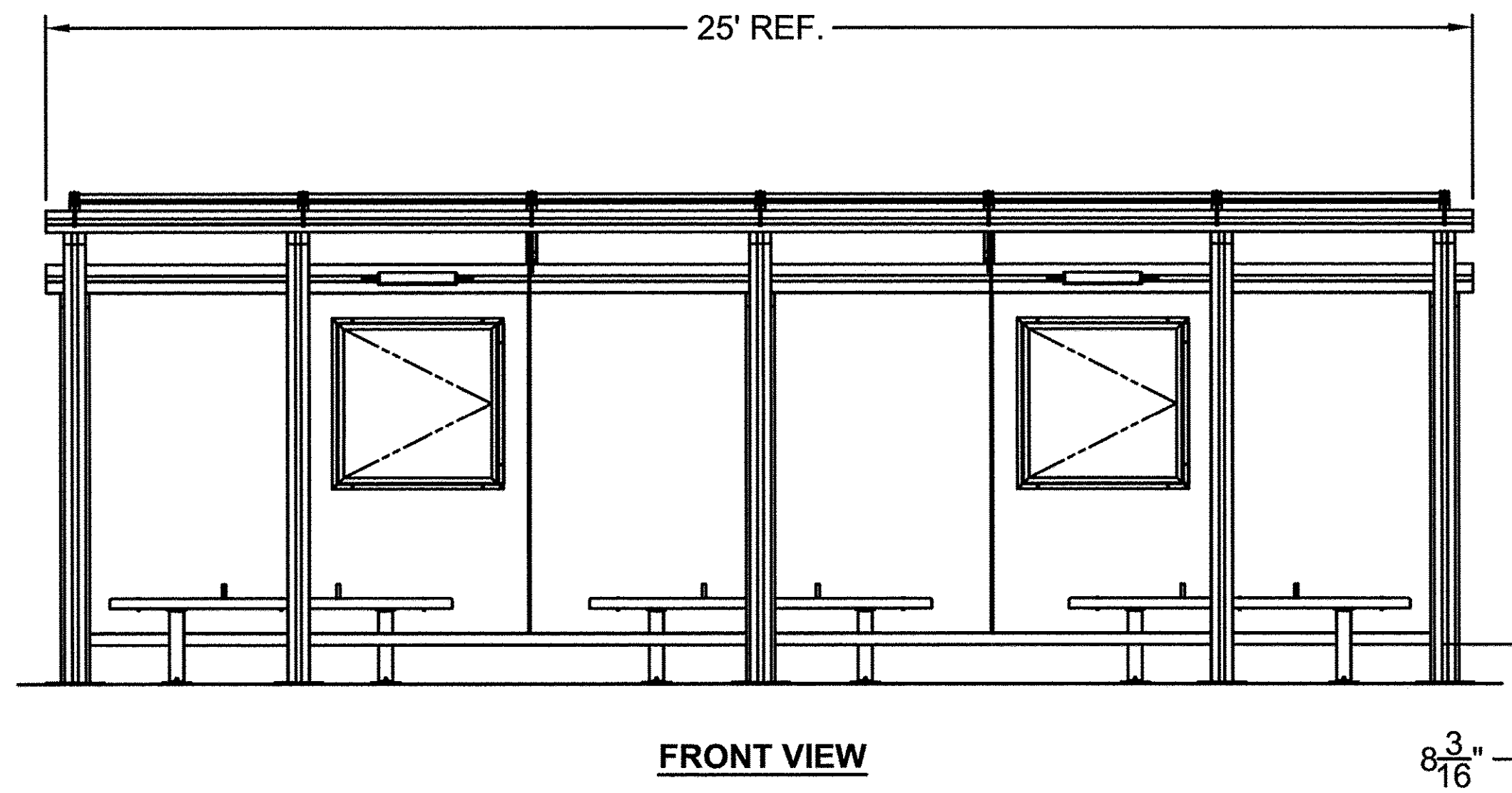
DESIGNED	- KRP	REVISED	-
DRAWN	- KRP	REVISED	-
CHECKED	- MPG	REVISED	-
DATE	- 8/26/2016	REVISED	-

STATE OF ILLINOIS  
DEPARTMENT OF TRANSPORTATION

**BUS DETAILS  
BUS SHELTER - TYPE 1**

SCALE: N/A SHEET NO. OF SHEETS STA. TO STA.

F.A.U. RTE.	SECTION	COUNTY	TOTAL SHEETS	SHEET NO.
7126	15-00304-01-PV	CHAMPAIGN	236	91
MCORE PROJECT 1			CONTRACT NO. 91539	
JOB NO. C-95-305-16 ILLINOIS FED. AID PROJECT TIG-5181057				



**QUANTITY (xx) SHELTERS THUS**

**SPECIFICATIONS:**

- POWDER COATED ALUMINUM STRUCTURE (RAL 9017 TRAFFIC BLACK)
- $\frac{3}{8}$ " CLEAR TEMPERED SAFETY GLASS
- BRONZE ARCHED ROOF
- 1' ECLIPSE LIGHT
- 6' ECLIPSE HDPE BENCH
- (2) 3' X 3' DISPLAY CASES



**BRASCO INTERNATIONAL, INC.**

32400 INDUSTRIAL DRIVE  
MADISON HEIGHTS, MICHIGAN 48071  
1-800-893-3665 WWW.BRASCO.COM

THIS DRAWING IS CONFIDENTIAL AND IS FOR THE SOLE USE OF OUR CUSTOMERS AND MAY NOT BE REPRODUCED OR COPIED WITHOUT WRITTEN PERMISSION FROM BRASCO INTERNATIONAL.  
**LEAD TIME BEGINS UPON RECEIPT OF SIGNED APPROVAL.**

© SIGNED: \_\_\_\_\_ DATE: \_\_\_\_\_

CUSTOMER:	CHAMPAIGN URBANA	ENGINEER:	ZTL
PROJECT:	ARCHED ROOF STYLE TRANSIT SHELTER	DATE:	3-1-16
MODEL:	ECLIPSE SERIES - EC0924-AR-AC-25	CHECKER:	XX
JOB #	XXXX	DATE:	YY
SHEET #:	6		

**BUS SHELTER, TYPE 2**  
SCALE: NONE

LAYOUT	KRP
DRAWN	KRP
REVIEWED	MPG

FILE NAME = Z:\Plans\sheets\Project1\PI-sht-detail\_BUS\_07.dgn  
PLOT DATE = 8/25/2016 12:35:47 PM

DESIGNED - KRP  
DRAWN - KRP  
CHECKED - MPG  
DATE - 8/26/2016

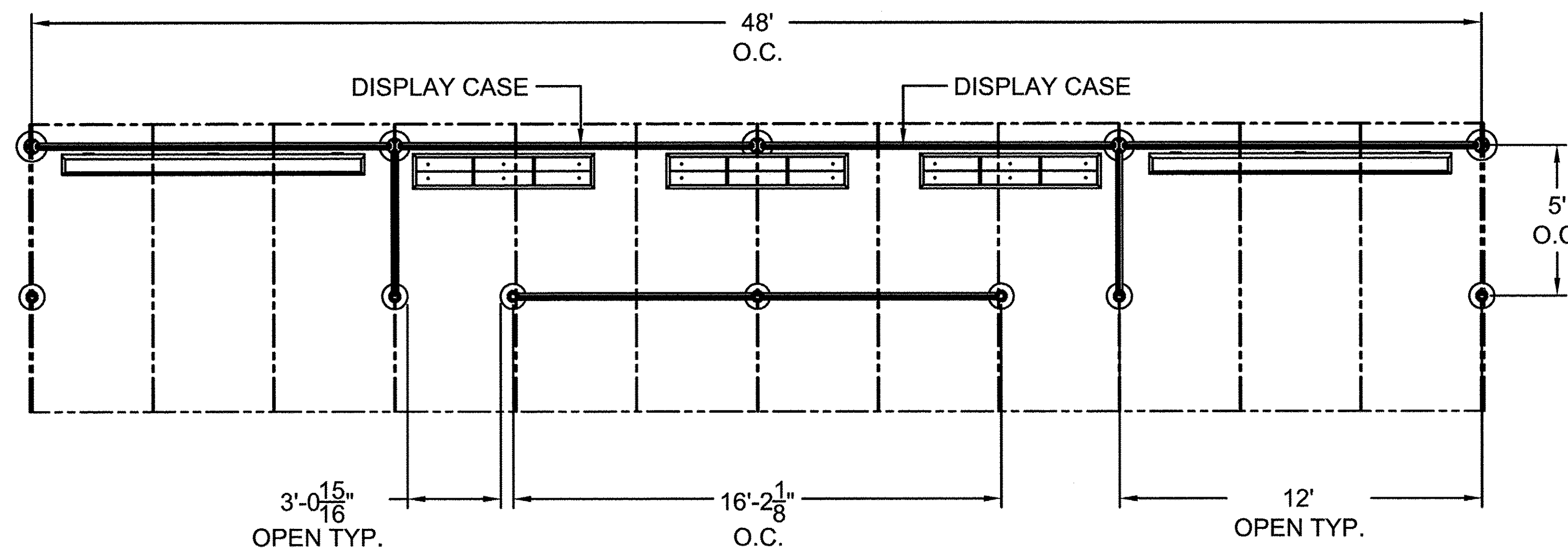
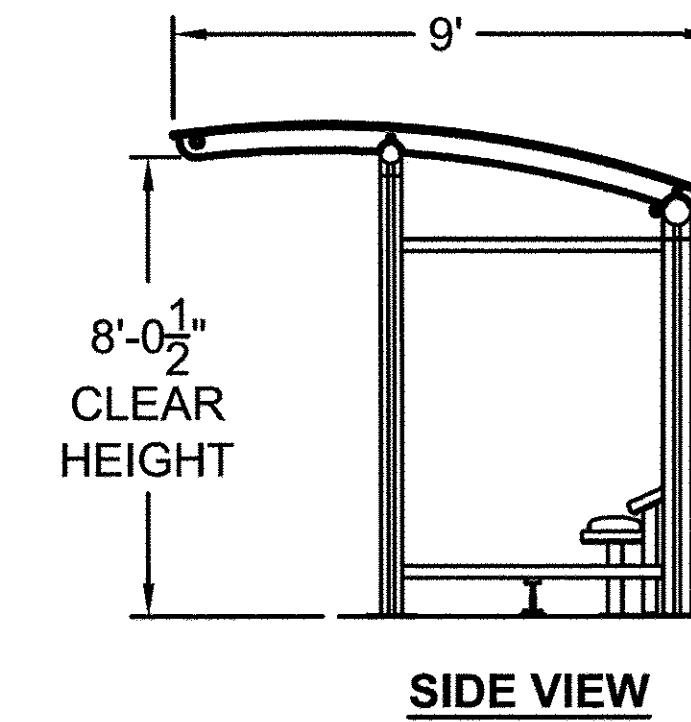
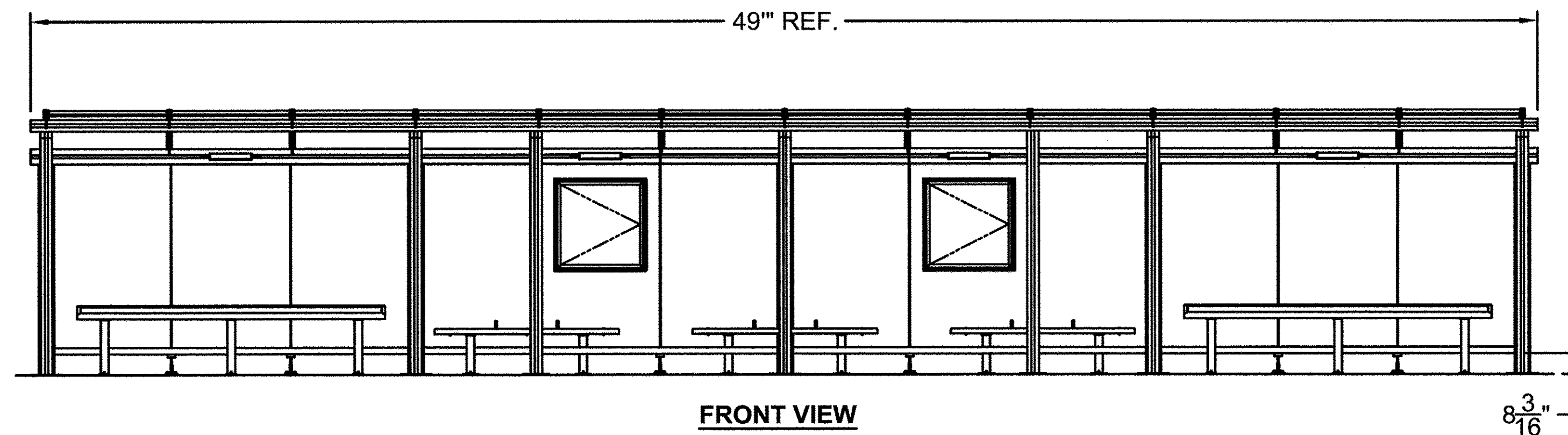
REVISED -  
REVISED -  
REVISED -  
REVISED -

STATE OF ILLINOIS  
DEPARTMENT OF TRANSPORTATION

**BUS DETAILS**  
**BUS SHELTER - TYPE 2**

SCALE: N/A SHEET NO. OF SHEETS STA. TO STA.

F.A.U. RTE.	SECTION	COUNTY	TOTAL SHEETS	SHEET NO.
7126	15-00304-01-PV	CHAMPAIGN	236	92
MCORE PROJECT 1			CONTRACT NO. 91539	
JOB NO. C-95-305-16 ILLINOIS FED. AID PROJECT TIG-51810571				



- QUANTITY (xx) SHELTERS THUS**
- SPECIFICATIONS:**
- POWDER COATED ALUMINUM STRUCTURE (RAL 9017 TRAFFIC BLACK)
  - 3/8" CLEAR TEMPERED SAFETY GLASS
  - BRONZE ARCHED ROOF
  - 1' ECLIPSE LIGHT
  - 6' ECLIPSE HDPE BENCH
  - 10' ECLIPSE HDPE LEAN RAIL
  - (2) 3' X 3' DISPLAY CASES



**BRASCO INTERNATIONAL, INC.**  
 32400 INDUSTRIAL DRIVE  
 MADISON HEIGHTS, MICHIGAN 48071  
 1-800-893-3665 WWW.BRASCO.COM

THIS DRAWING IS CONFIDENTIAL AND IS FOR THE SOLE USE OF OUR CUSTOMERS AND MAY NOT BE REPRODUCED OR COPIED WITHOUT WRITTEN PERMISSION FROM BRASCO INTERNATIONAL.  
**LEAD TIME BEGINS UPON RECEIPT OF SIGNED APPROVAL.**

© SIGNED: \_\_\_\_\_ DATE: \_\_\_\_\_

CUSTOMER:	CHAMPAIGN URBANA	ENGINEER:	ZTL
PROJECT:	ARCHED ROOF STYLE TRANSIT SHELTER	DATE:	3-1-16
MODEL:	ECLIPSE SERIES - EC0948-AR-AC-25	CHECKER:	XX
JOB #	XXXX	DATE:	YY
SHEET #:	5		

**BUS SHELTER, TYPE 4**  
 SCALE: NONE

LAYOUT	KRP
DRAWN	KRP
REVIEWED	MPG

FILE NAME = Z:\Plans\sheets\Project1\P1-sht-detail\_BUS\_08.dgn  
 PLOT DATE = 8/25/2016 12:36:00 PM

DESIGNED - KRP  
 DRAWN - KRP  
 CHECKED - MPG  
 DATE - 8/26/2016

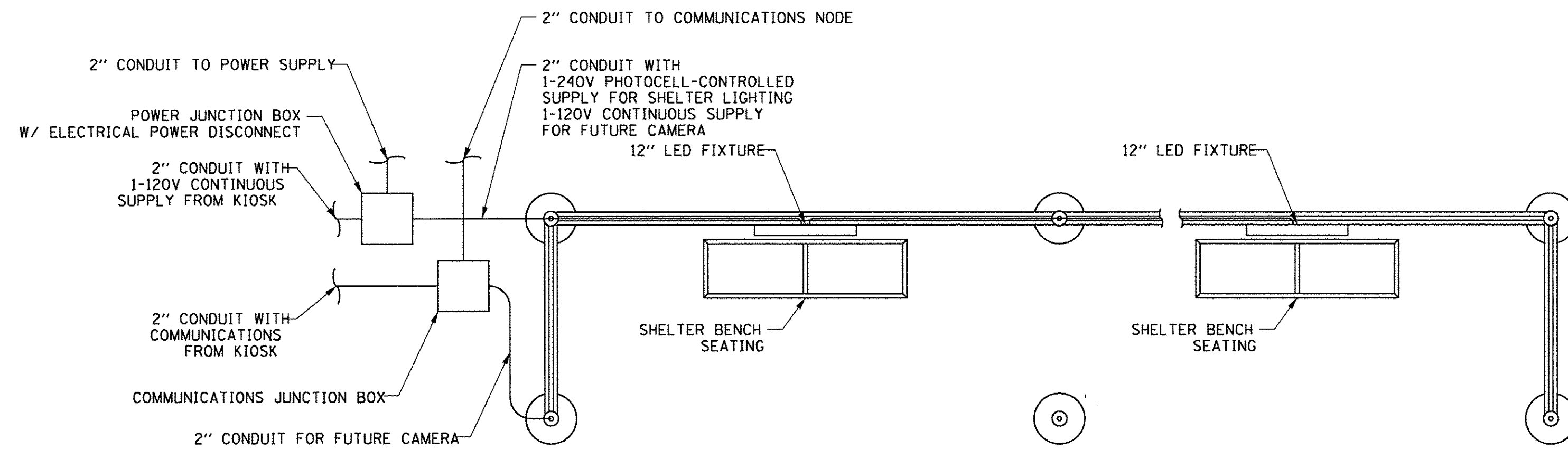
REVISED -  
 REVISED -  
 REVISED -  
 REVISED -

STATE OF ILLINOIS  
 DEPARTMENT OF TRANSPORTATION

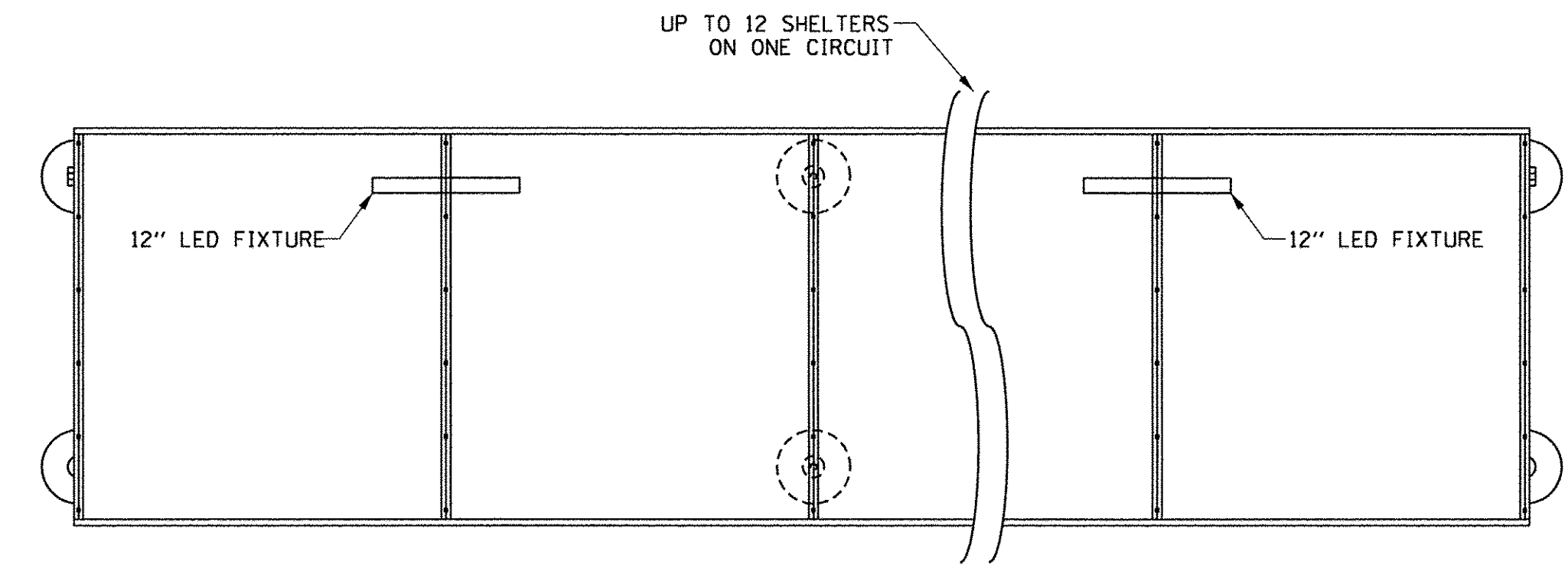
**BUS DETAILS**  
**BUS SHELTER - TYPE 4**

SCALE: N/A SHEET NO. OF SHEETS STA. TO STA.

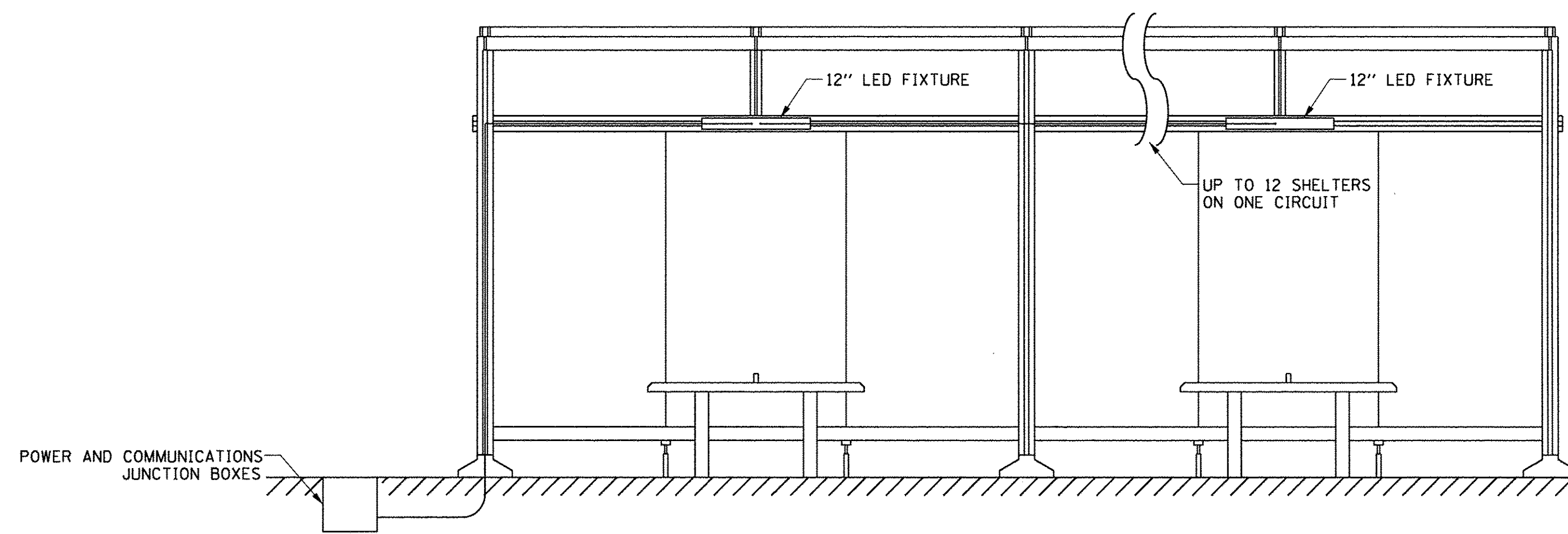
F.A.U. RTE.	SECTION	COUNTY	TOTAL SHEETS	SHEET NO.
7126	15-00304-01-PV	CHAMPAIGN	236	93
MCORE PROJECT 1			CONTRACT NO. 91539	
JOB NO. C-95-305-16 ILLINOIS FED. AID PROJECT TIG-51810571				



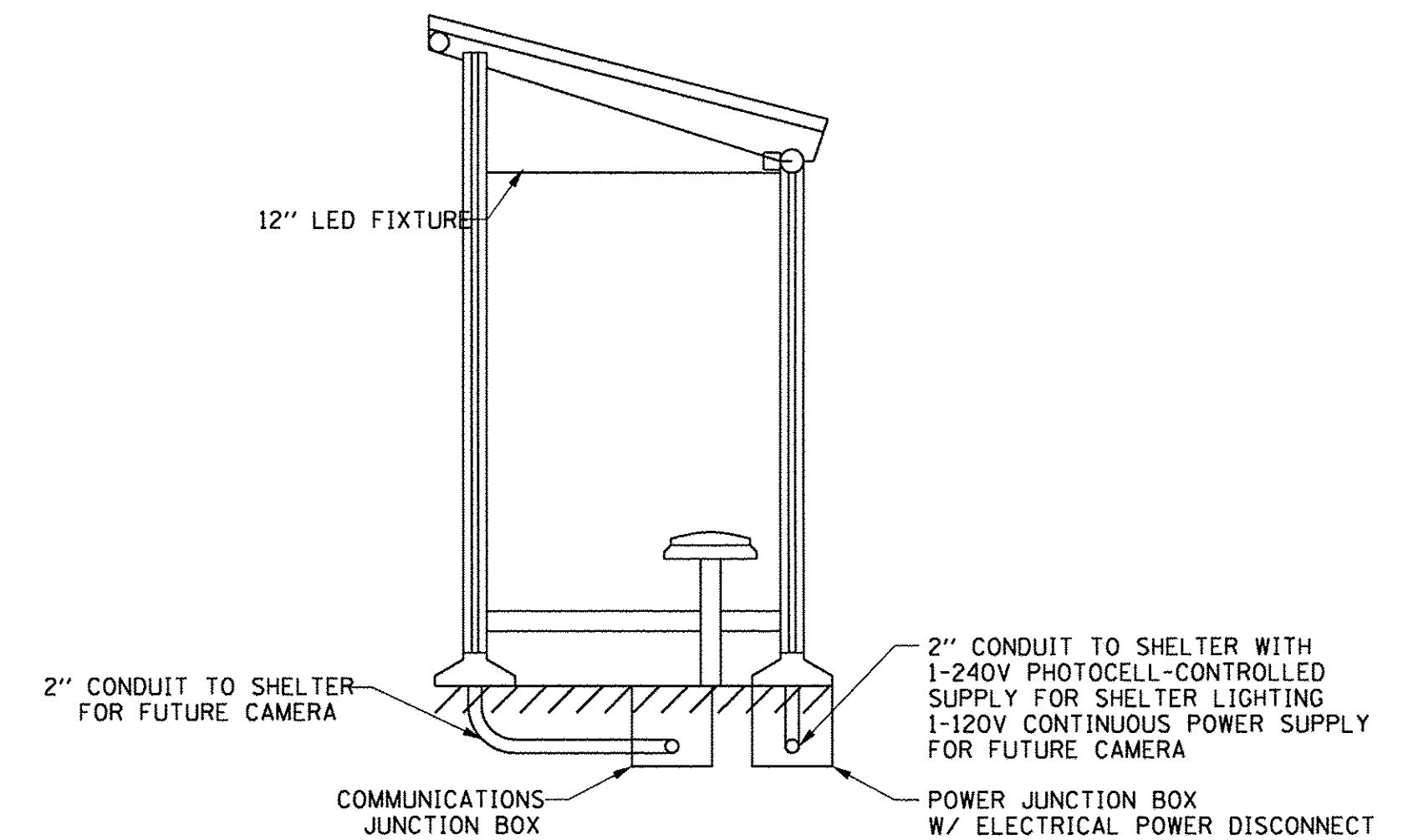
**BUS SHELTER  
(PLAN VIEW)**  
SCALE: NONE



**BUS SHELTER  
(REFLECTED CEILING PLAN)**  
SCALE: NONE



**BUS SHELTER  
(FRONT ELEVATION)**  
SCALE: NONE



**BUS SHELTER  
(SIDE ELEVATION)**  
SCALE: NONE

- NOTES:
1. BUS SHELTER FOR ILLUSTRATIVE PURPOSES ONLY REFER TO BUS SHELTER DETAILS
  2. SEE ROADWAY LIGHTING PLANS FOR JUNCTION BOX LOCATIONS
  3. CONTRACTOR TO INSTALL ELECTRICAL POWER DISCONNECT W/ IN SHELTER POWER JUNCTION BOX

LAYOUT	SF
DRAWN	KRP
REVIEWED	BM

FILE NAME = Z:\Plans\sheets\Project1\p1-sht-detail1\_BUS\_09.dgn  
 PLOT DATE = 8/25/2016 12:36:19 PM

DESIGNED - SF  
 DRAWN - KRP  
 CHECKED - BM  
 DATE - 8/26/2016

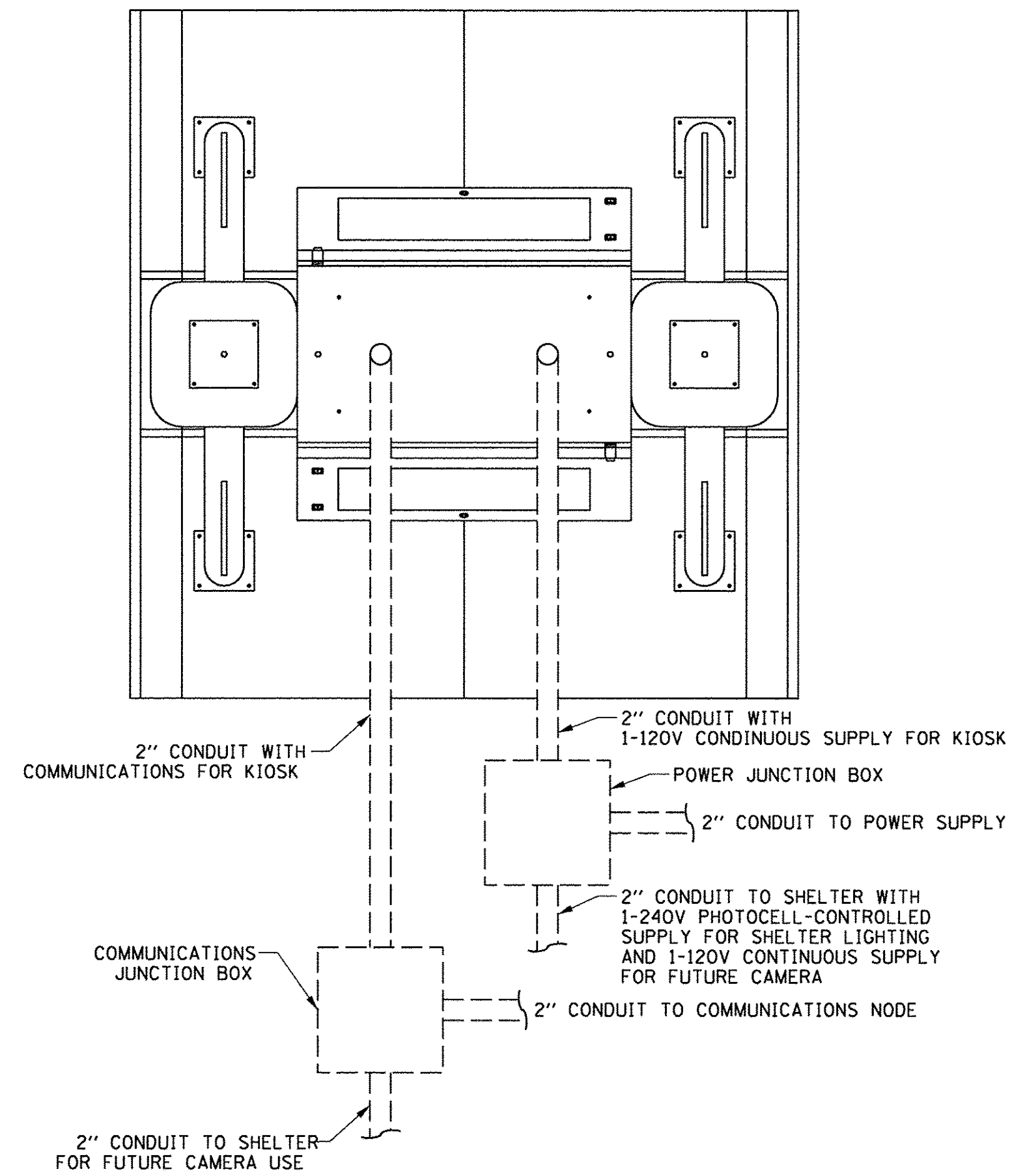
REVISED -  
 REVISED -  
 REVISED -  
 REVISED -

STATE OF ILLINOIS  
 DEPARTMENT OF TRANSPORTATION

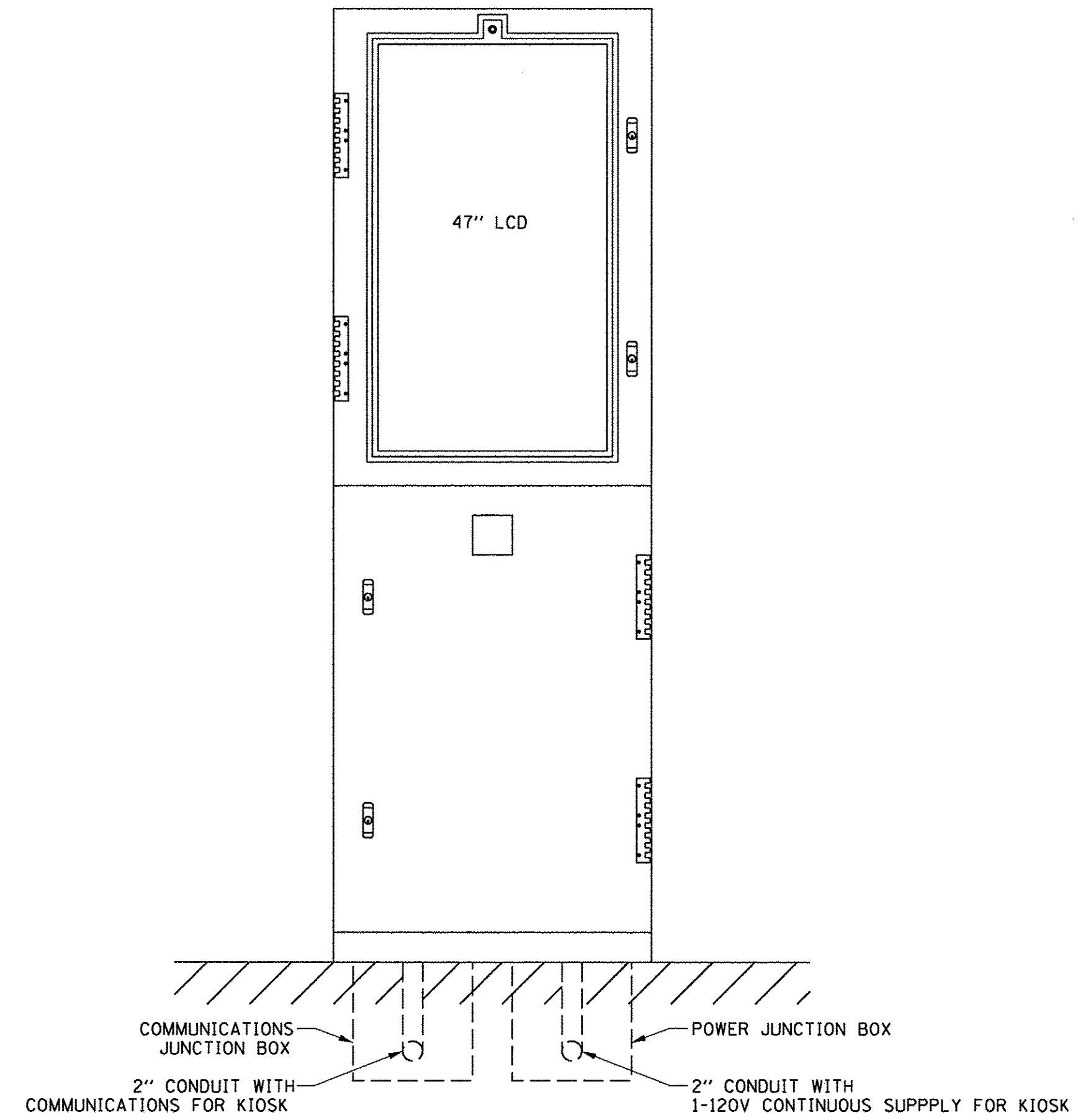
BUS DETAILS  
 POWER AND COMMUNICATION

SCALE: N/A SHEET NO. OF SHEETS STA. TO STA.

F.A.U. RTE.	SECTION	COUNTY	TOTAL SHEETS	SHEET NO.
7126	15-00304-01-PV	CHAMPAIGN	236	94
MCORE PROJECT 1			CONTRACT NO. 91539	
JOB NO. C-95-305-16 ILLINOIS FED. AID PROJECT TIG-51810571				



**INFORMATION KIOSK PLAN**  
SCALE: NONE



**INFORMATION KIOSK FRONT ELEVATION**  
SCALE: NONE

**NOTES:**

1. KIOSK FOR ILLUSTRATIVE PURPOSES ONLY  
REFER TO INFORMATION KIOSK DETAIL
2. CONTRACTOR SHALL TERMINATE POWER AND COMMUNICATION  
CONDUIT 6 INCHES ABOVE CONCRETE SURFACE
3. CONTRACTOR SHALL COORDINATE THE INSTALLATION  
OF THE KIOSK ASSEMBLY PER SPECIFICATIONS
4. SEE ROADWAY LIGHTING PLANS FOR JUNCTION BOX LOCATIONS

LAYOUT	SF
DRAWN	KRP
REVIEWED	BM

FILE NAME = Z:\Plans\sheets\Project1\P1-sht-detail\_BUS\_10.dgn  
PLOT DATE = 8/25/2016 12:36:28 PM

DESIGNED	- SF	REVISED	-
DRAWN	- KRP	REVISED	-
CHECKED	- BM	REVISED	-
DATE	- 8/26/2016	REVISED	-

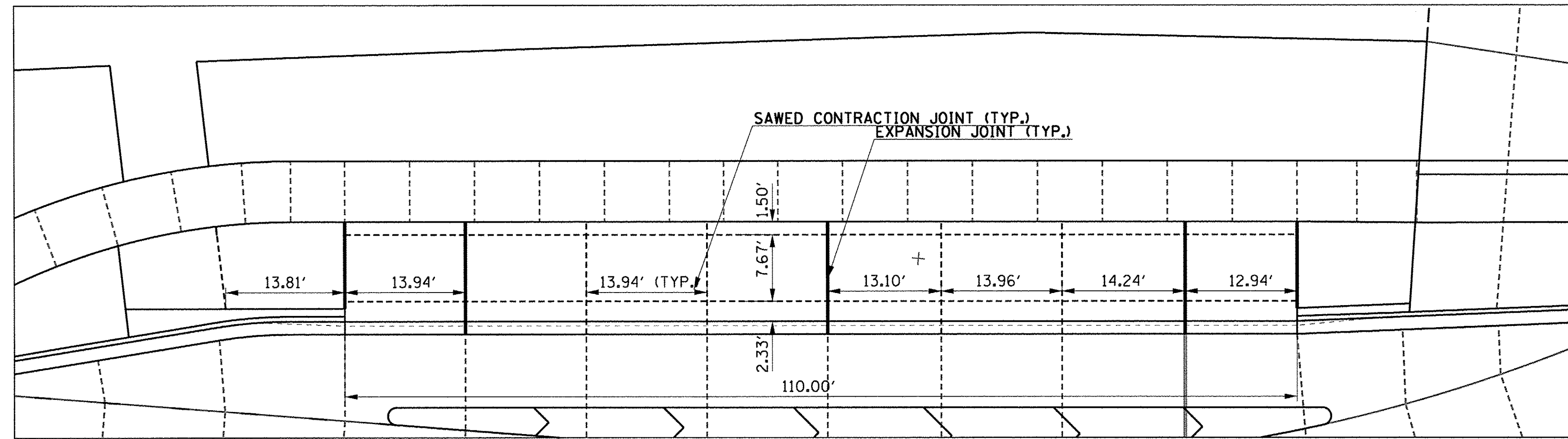
STATE OF ILLINOIS  
DEPARTMENT OF TRANSPORTATION

**BUS DETAILS**  
**POWER AND COMMUNICATION**

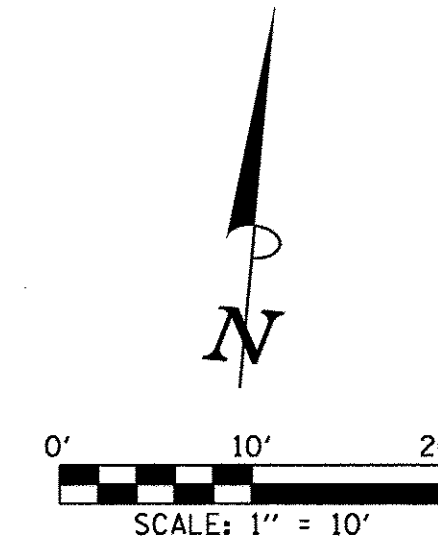
SCALE: N/A SHEET NO. OF SHEETS STA. TO STA.

F.A.U. RTE.	SECTION	COUNTY	TOTAL SHEETS	SHEET NO.
7126	15-00304-01-PV	CHAMPAIGN	236	95
MCCORE PROJECT 1			CONTRACT NO. 91539	
JOB NO. C-95-305-16 ILLINOIS FED. AID PROJECT T16-51810571				

TYLIN INTERNATIONAL



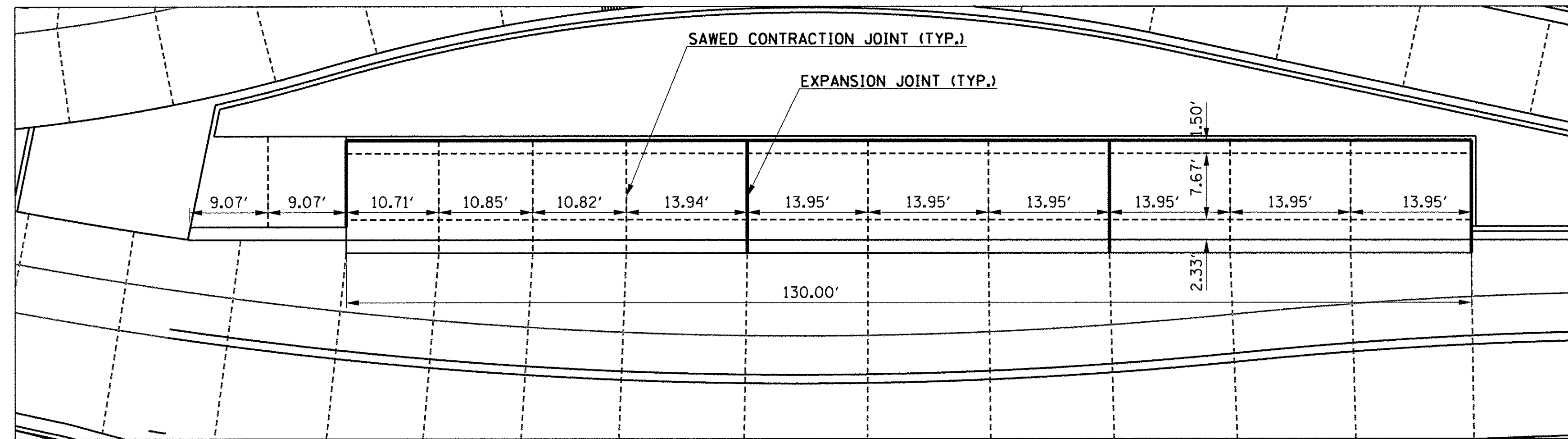
JOINTING DETAIL  
WRIGHT STREET (ILLINI UNION WB)



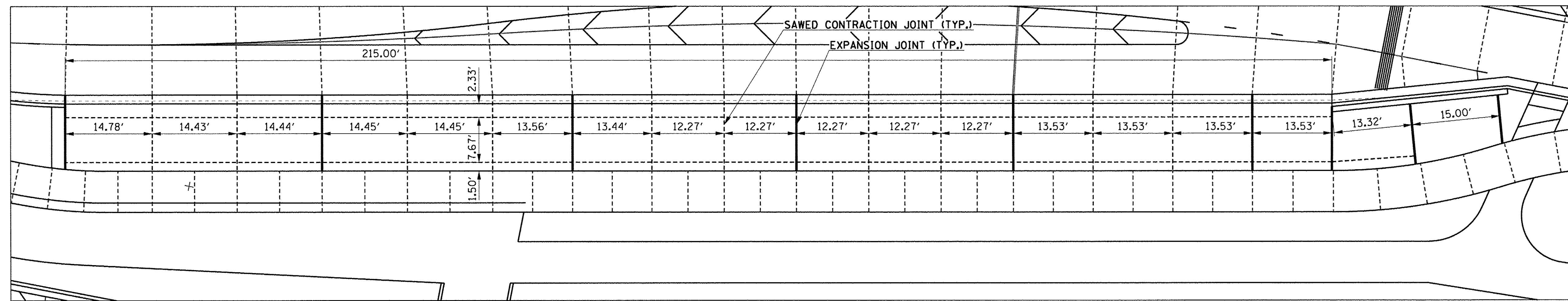
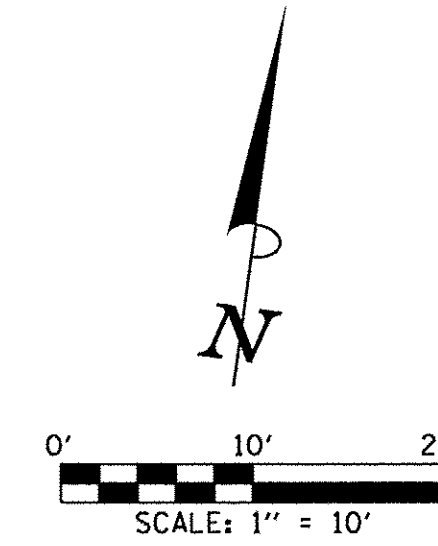
PLATFORM JOINT SPACING TO ALIGN W/ PAVEMENT AND  
BUS TURNOUT JOINT SPACING (SEE PAVEMENT JOINT PLAN)

SEE INTERSECTION DETAILS AND ROADWAY PLANS  
FOR PAVEMENT AND SIDEWALK ELEVATIONS

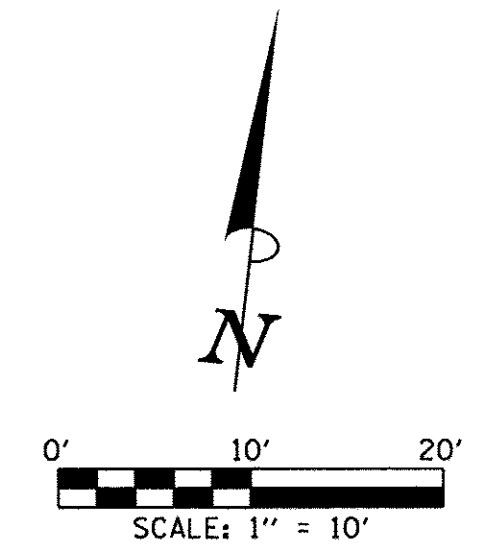
SEE BUS DETAILS FOR ADDITIONAL INFORMATION



JOINTING DETAIL  
WRIGHT STREET (ILLINI UNION WB)



JOINTING DETAIL  
WRIGHT STREET (ILLINI UNION EB)



LAYOUT	SF
DRAWN	KRP
REVIEWED	BM

FILE NAME =  
Z:\Plans\Sheets\Project1\P1-sht-detail\_BUS\_11.dgn

PLOT DATE =  
8/25/2016 12:36:49 PM

DESIGNED - SF  
DRAWN - KRP  
CHECKED - BM  
DATE - 8/26/2016

REVISED -  
REVISED -  
REVISED -  
REVISED -

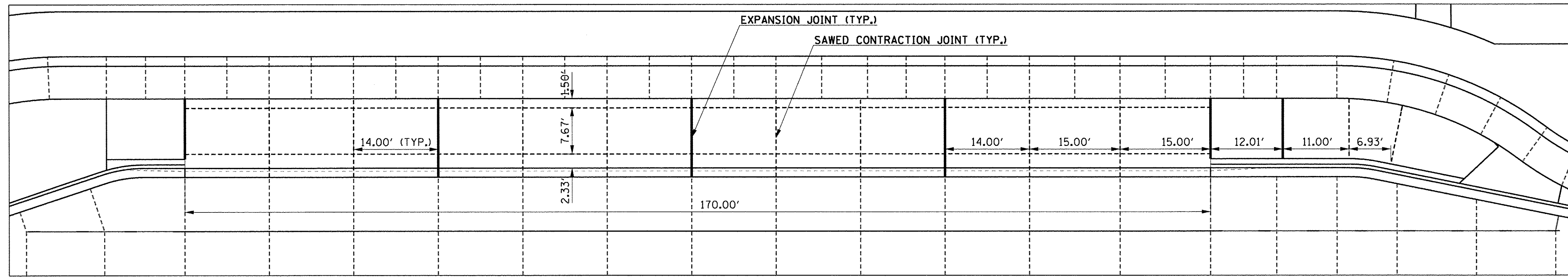
STATE OF ILLINOIS  
DEPARTMENT OF TRANSPORTATION

BUS DETAILS  
PC CONCRETE PLATFORM JOINTING PLAN

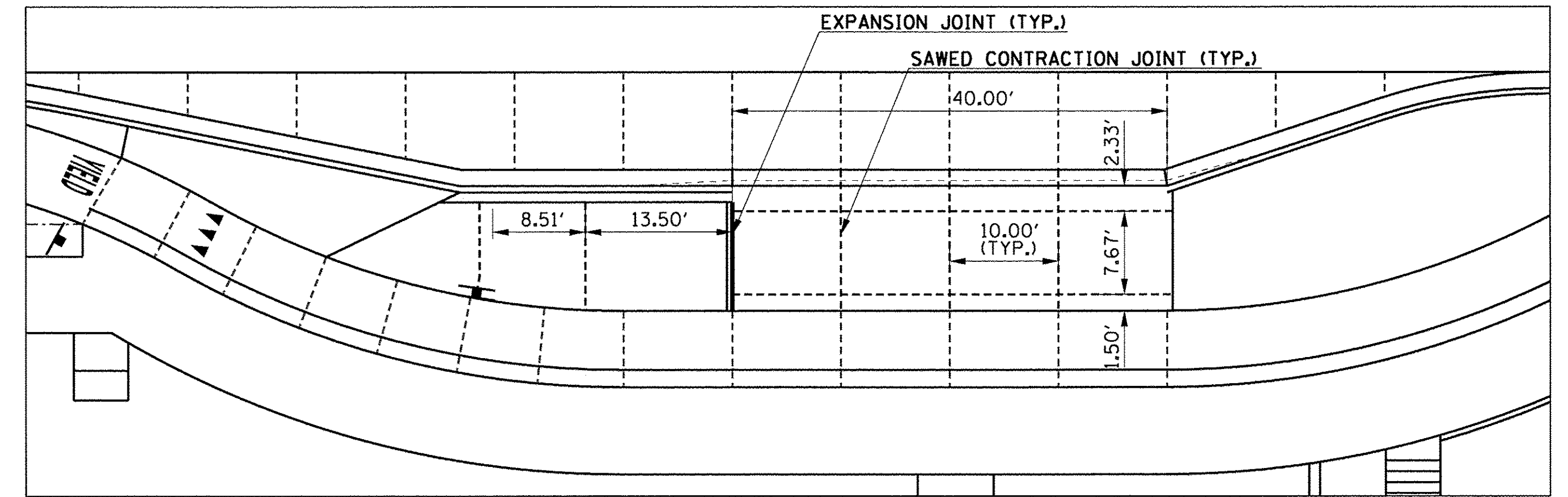
SCALE: N/A SHEET NO. OF SHEETS STA. TO STA.

F.A.U. RTE.	SECTION	COUNTY	TOTAL SHEETS	SHEET NO.
7126	15-00304-01-PV	CHAMPAIGN	236	96
MCORE PROJECT 1			CONTRACT NO. 91539	
JOB NO. C-95-305-16 ILLINOIS FED. AID PROJECT TIG-5181057				

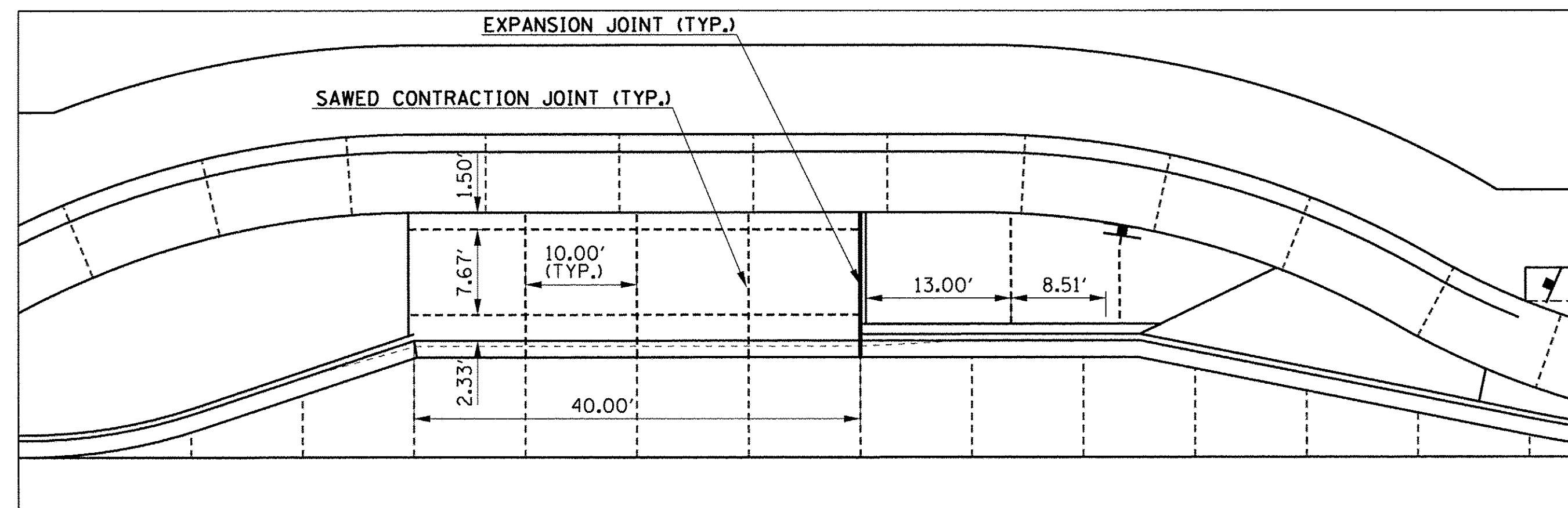




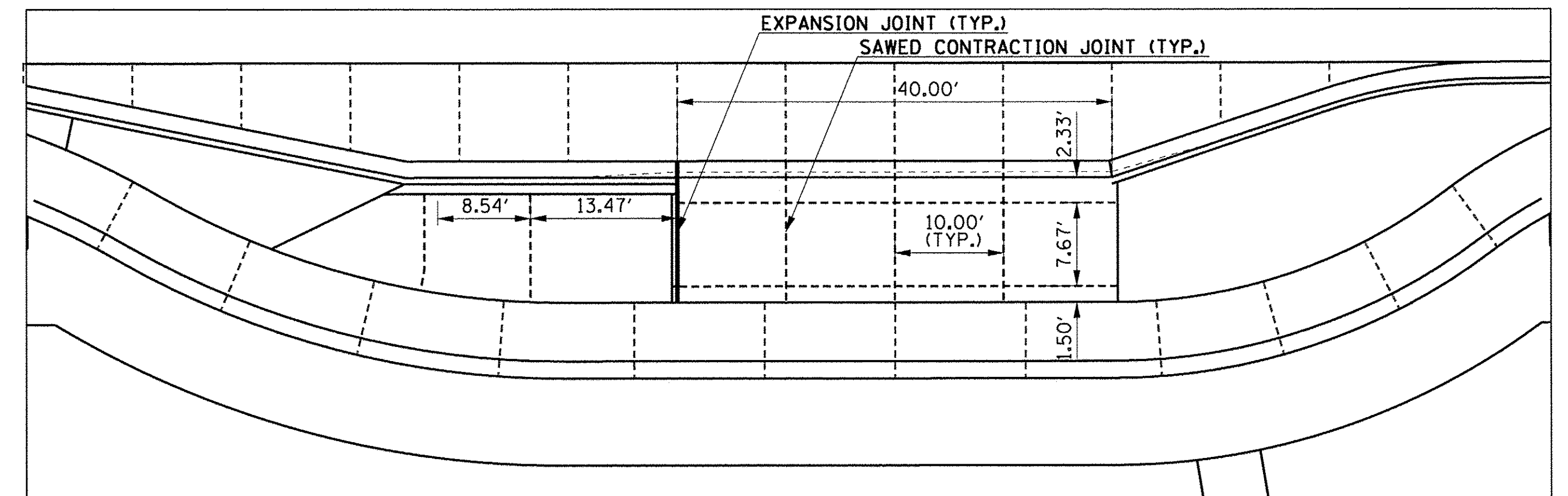
JOINTING DETAIL  
GREEN STREET & GOODWIN AVENUE (WB)



JOINTING DETAIL  
GREEN STREET & GOODWIN AVENUE (EB)



JOINTING DETAIL  
GREEN STREET & GREGORY STREET (WB)



JOINTING DETAIL  
GREEN STREET & GREGORY STREET (EB)

PLATFORM JOINT SPACING TO ALIGN W/ PAVEMENT AND  
BUS TURNOUT JOINT SPACING (SEE PAVEMENT JOINT PLAN)

SEE INTERSECTION DETAILS AND ROADWAY PLANS  
FOR PAVEMENT AND SIDEWALK ELEVATIONS

SEE BUS DETAILS FOR ADDITIONAL INFORMATION

LAYOUT	SF
DRAWN	KRP
REVIEWED	BM

FILE NAME =  
Z:\Plans\sheets\Project1\P1-sht-detail1\_BUS\_12.dgn  
PLOT DATE =  
8/25/2016 12:36:57 PM

DESIGNED - SF  
DRAWN - KRP  
CHECKED - BM  
DATE - 8/26/2016

REVISED -  
REVISED -  
REVISED -  
REVISED -

STATE OF ILLINOIS  
DEPARTMENT OF TRANSPORTATION

BUS DETAILS  
PC CONCRETE PLATFORM JOINTING PLAN

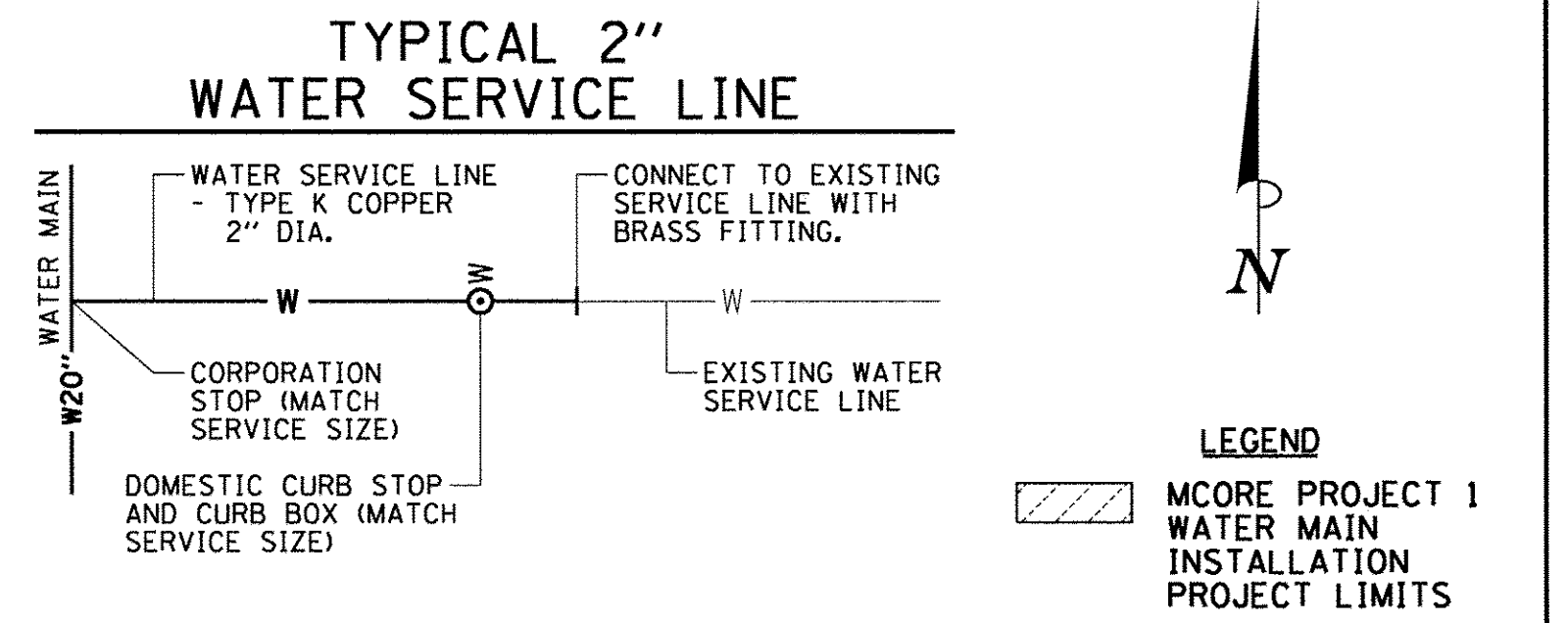
SCALE: N/A SHEET NO. OF SHEETS STA. TO STA.

F.A.U. RTE.	SECTION	COUNTY	TOTAL SHEETS	SHEET NO.
7126	15-00304-01-PV	CHAMPAIGN	236	97
MCORE PROJECT 1			CONTRACT NO. 91539	
JOB NO. C-95-305-16 ILLINOIS FED. AID PROJECT TIG-5181(057)				

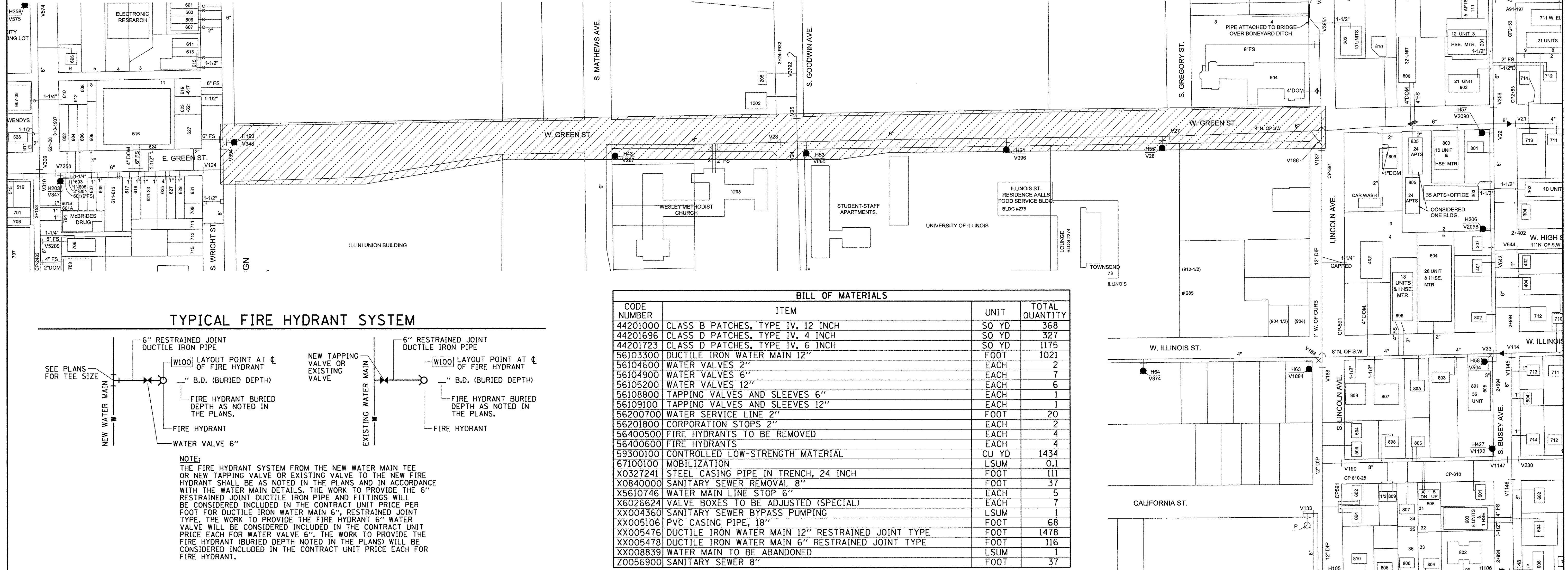
**WATER MAIN GENERAL NOTES**

- ELEVATIONS ARE BOTTOM OF PIPE FOR WATER MAIN.
- MINIMUM COVER FROM TOP OF WATER MAIN TO FINISHED GRADE ELEVATION SHALL BE 42 INCHES WITH A MAXIMUM OF 48 INCHES UNLESS NOTED OTHERWISE IN THE PLANS.  
PROPOSED WATER MAIN RESTRAINED JOINTS:
- ALL PROPOSED WATER MAIN PIPING JOINTS SHALL BE FIELD LOK GASKETS AND ALL PROPOSED WATER MAIN FITTINGS SHALL EITHER BE FIELD LOK GASKETS FOR PUSH-ON JOINT FITTINGS OR RETAINER GLANDS (MEGA LUGS) FOR MJ FITTINGS. ALL CONNECTIONS TO EXISTING WATER MAIN SHALL BE RESTRAINED JOINT. SEE SPECIAL PROVISIONS AND WATER MAIN DETAIL SHEETS FOR ADDITIONAL INFORMATION. THIS WORK WILL BE CONSIDERED INCLUDED IN THE CONTRACT UNIT PRICE PER FOOT FOR DUCTILE IRON WATER MAIN (SIZE SPECIFIED IN THE PLANS), RESTRAINED JOINT TYPE.
- ALL WATER MAIN SYSTEMS AND WATER SERVICES WITHIN TWO FEET LATERALLY OF THE PROPOSED PAVEMENT, DRIVEWAY PAVEMENT, SIDEWALK OR CURB AND GUTTER SHALL BE BACKFILLED WITH SAND ONE FOOT ABOVE PIPE AND THEN CONTROLLED LOW-STRENGTH MATERIAL (CLSM) AS SHOWN ON THE WATER MAIN DETAILS AND IN ACCORDANCE WITH THE SPECIAL PROVISIONS. THE SAND BACKFILL TO ONE FOOT ABOVE PIPE WILL NOT BE PAID FOR SEPARATELY AND WILL BE CONSIDERED INCLUDED IN THE CONTRACT UNIT PRICE PER FOOT FOR DUCTILE IRON WATER MAIN AND WATER SERVICE LINE (SIZE SPECIFIED IN THE PLANS). SEE WATER MAIN DETAILS FOR TRENCH BACKFILL REQUIREMENTS.
- EXISTING WATER VALVE BOXES THAT ARE WITHIN THE PROJECT PROPOSED PAVING AREA WILL BE REMOVED AND REPLACED. INSTALL NEW VALVE BOX OVER EXISTING VALVE AND ADJUST NEW BOX LID TO THE PROPOSED FINISH GRADE. THIS WORK WILL BE CONSIDERED INCLUDED IN THE CONTRACT UNIT PRICE EACH FOR VALVE BOXES TO BE ADJUSTED (SPECIAL).
- IT WILL BE NECESSARY TO CONSTRUCT THE WATER MAIN IN VARIOUS STAGES. SEE WATER MAIN STAGE CONSTRUCTION DETAILS AND MAINTENANCE OF TRAFFIC PLANS FOR ADDITIONAL INFORMATION.
- SEE THE ROADWAY PLAN AND PROFILE SHEETS FOR STORM SEWER INFORMATION.
- SEE THE SANITARY SEWER REPLACEMENT ENLARGEMENT FOR SANITARY SEWER INFORMATION.
- CONTRACTOR TO VERIFY DEPTH OF UTILITIES AND EXISTING WATER MAIN PRIOR TO CONSTRUCTION. WHEN CONNECTIONS ARE TO BE MADE TO EXISTING PIPING AND FITTINGS, THE LOCATION AND ELEVATION OF THE EXISTING PIPING SHALL BE FIELD DETERMINED AND THE APPROPRIATE ADJUSTMENTS MADE.
- CONTRACTOR TO PROVIDE ALL PIPING & GASKETS, FITTINGS, AND HARDWARE NECESSARY TO CONNECT TO EXISTING WATER MAIN. SEE WATER MAIN DETAILS FOR ADDITIONAL INFORMATION.

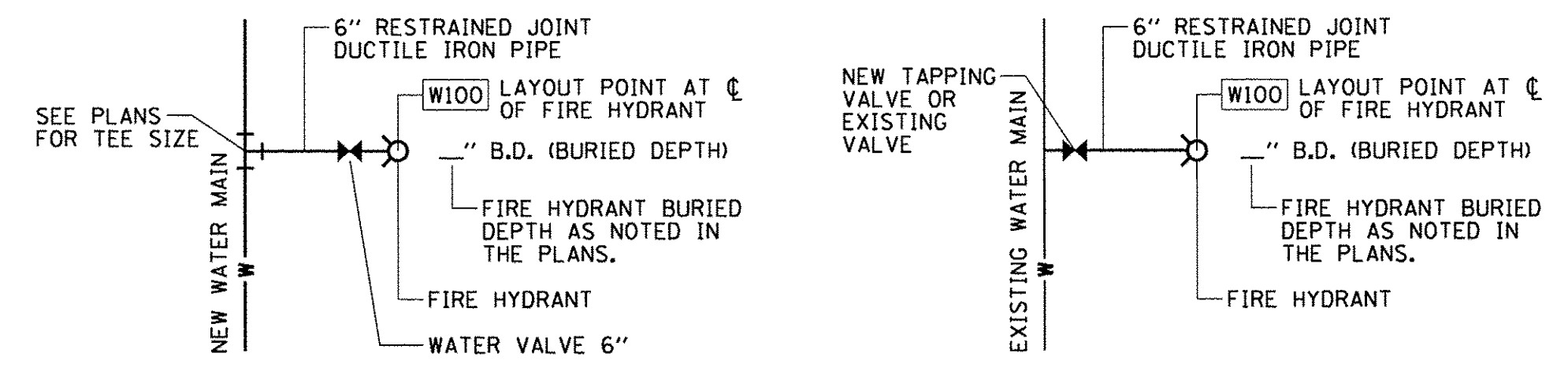
- WHEREVER THE NEW WATER MAIN CROSSES OTHER UTILITIES AND THE SEPARATION BETWEEN THE PIPES IS LESS THAN 4 INCHES, THE CONTRACTOR SHALL PLACE RIGID INSULATION BOARD BETWEEN THE NEW WATER MAIN PIPE AND UTILITY PIPE.
- CONTRACTOR TO FIELD VERIFY EXISTING WATER SERVICES TO PROVIDE 1" MINIMUM WATER SERVICE LINE, CORPORATION STOP, CURB STOP AND CURB BOX, AND NECESSARY FITTINGS AND HARDWARE FOR CONNECTION TO RESIDENTIAL SERVICE LINES. SEE WATER MAIN DETAILS FOR ADDITIONAL INFORMATION.
- CONTRACTOR TO PROVIDE FOR FLUSHING AND SAMPLING TAPS EVERY 1200 FEET, AT THE END OF STAGE CONSTRUCTION LIMITS, AND AS DIRECTED BY THE ENGINEER. SEE WATER MAIN STAGE CONSTRUCTION DETAILS FOR MORE INFORMATION.
- THE EXISTING WATER MAINS TO BE RETIRED WITHIN THE PROJECT LIMITS SHALL BE REMOVED OR ABANDONED IN PLACE AND FILLED WITH GROUT INCLUDING THE DOMESTIC WATER SERVICE LINES. EXPOSED ENDS OF ABANDONED LINES SHALL BE PLUGGED OR CAPPED IN A WATERTIGHT MANNER. ALL RETIRED WATER VALVE BOXES, DOMESTIC CURB STOP BOXES, AND DEAD END AND CROSS BLOCKING INSTALLED FOR STAGING PURPOSES SHALL BE REMOVED. THIS WORK WILL BE CONSIDERED INCLUDED IN THE CONTRACT UNIT PRICE LUMP SUM FOR WATER MAIN TO BE ABANDONED.
- CONTRACTOR WILL OPERATE ANY EXISTING VALVES REQUIRED TO COMPLETE THE FLUSHING, DISINFECTING, AND PRESSURE TESTING. NOTICE MUST BE GIVEN TO ILLINOIS AMERICAN WATER REPRESENTATIVE PRIOR TO BEGINNING THIS PROCESS WHEN CUSTOMERS ARE AFFECTED.
- CONTACT ILAW REPRESENTATIVE ELIZABETH DOELLMAN AT (217)373-3273 OR (217)493-7950 BEFORE SHUTTING DOWN WATER MAIN AND WHEN WATER SERVICE IS RESUMED. CONTACT ILAW REPRESENTATIVE RITCHIE GLENN AT (217)373-3234 OR (217)621-4952 AT LEAST 48 HOURS PRIOR TO MAKING CONNECTIONS TO WATER MAIN SO THAT BOIL ORDER NOTICES CAN BE ISSUED.
- A RESIDENT PROJECT REPRESENTATIVE OF ILLINOIS AMERICAN WATER COMPANY WILL BE RESPONSIBLE FOR COLLECTING GPS DATA OF THE PROPOSED IMPROVEMENTS INCLUDING ALL FIRE HYDRANTS, VALVES, CORPORATION STOPS, METER PITS, FITTINGS, DEFLECTION POINTS AND HORIZONTAL ALIGNMENT POINTS AT 100 FOOT MAXIMUM INTERVALS ALONG THE WATER MAIN. THE CONTRACTOR WILL BE RESPONSIBLE FOR COORDINATING AND COOPERATING WITH THE RESIDENT PROJECT REPRESENTATIVE WHILE THEY PERFORM THEIR WORK. WHEN POSSIBLE THIS DATA WILL BE COLLECTED AFTER THE PIPING AND APPURTENANCES ARE INSTALLED, BUT BEFORE THE TRENCH IS BACKFILLED. IF GPS DATA IS NOT COLLECTED WHILE THE TRENCH IS OPEN, THE CONTRACTOR SHALL INSTALL 29\*32X 49\*32 WOOD VERTICAL RISER MARKERS AT EACH BURIED FEATURE OR PROVIDE A MINIMUM OF 3 HORIZONTAL TIES FOR EACH FEATURE WITH WRITTEN DOCUMENTATION SHEETS PROVIDED TO THE REPRESENTATIVE AND ENGINEER. IF WOOD RISERS ARE USED, THEY SHOULD BE PLUMB AND EXTEND TO 2 FEET ABOVE GRADE AND THE TOPS SHOULD BE PAINTED BLUE. THE RISERS SHALL BE MARKED ABOVE GRADE WITH PAINT OR PERMANENT MARKERS TO IDENTIFY THE TYPE OF FEATURE BEING MARKED (I.E. VALVE, 45 DEG. ELBOW, ETC.). ANY COST ASSOCIATED WITH THESE REQUIREMENTS OR FOR DELAYS IN THE PROJECT WILL NOT BE CONSIDERED FOR PAYMENT AND NO ADDITIONAL COMPENSATION WILL BE ALLOWED.



**NOTE:**  
THE WORK TO PROVIDE THE NEW WATER SERVICE LINE AND NECESSARY FITTINGS AND HARDWARE FOR CONNECTION TO EXISTING SERVICE LINE WILL BE CONSIDERED INCLUDED IN THE CONTRACT UNIT PRICE PER FOOT FOR WATER SERVICE LINE (SIZE SPECIFIED IN THE PLANS). THE WORK TO PROVIDE FOR DOMESTIC CURB STOP AND CURB BOX WILL BE CONSIDERED INCLUDED IN THE CONTRACT UNIT PRICE EACH FOR WATER VALVES (SIZE SPECIFIED IN THE PLANS). THE WORK TO PROVIDE A CORPORATION STOP WILL BE CONSIDERED INCLUDED IN THE CONTRACT UNIT PRICE EACH FOR CORPORATION STOP (SIZE SPECIFIED IN THE PLANS). SEE WATER MAIN DETAILS FOR ADDITIONAL INFORMATION.

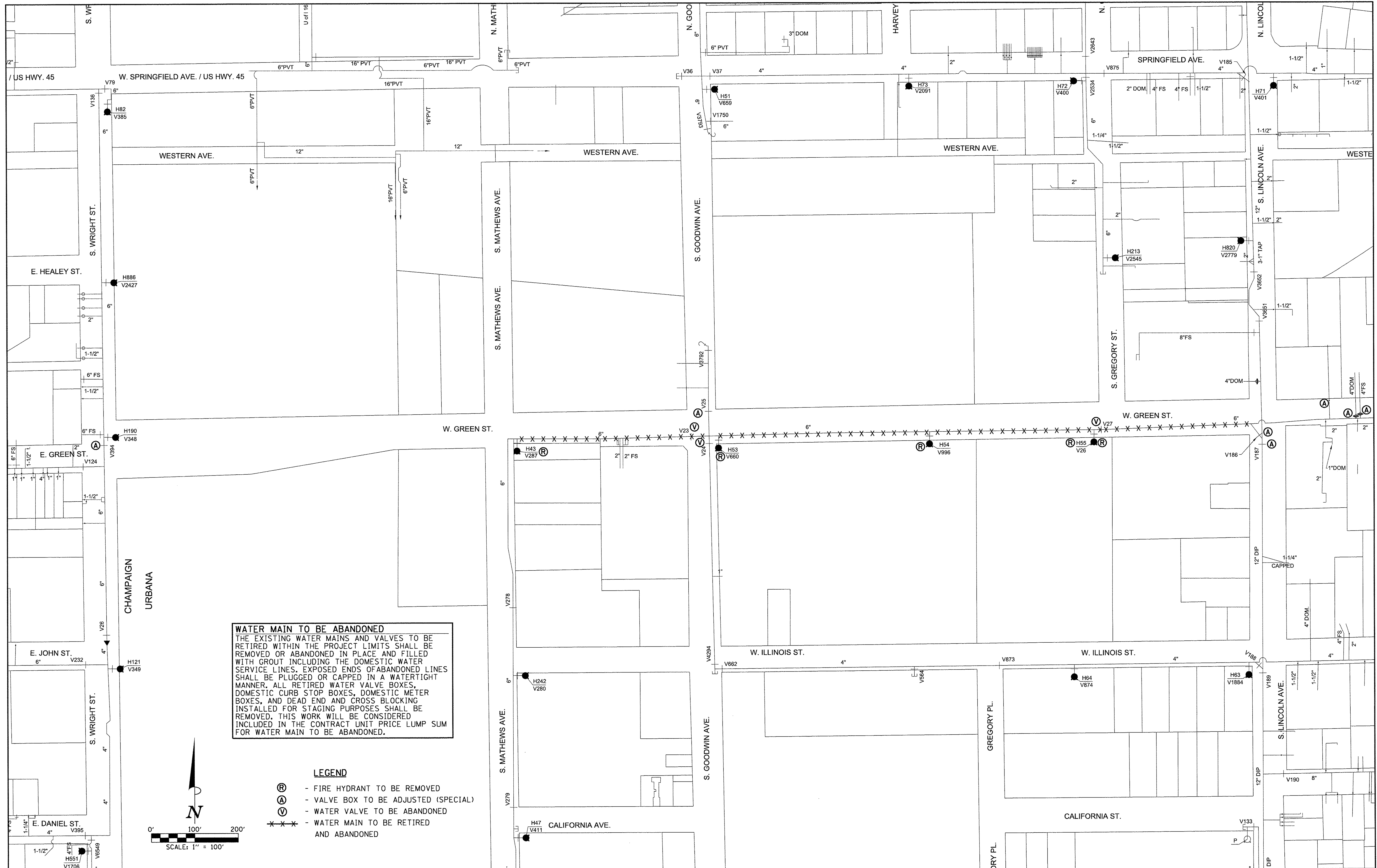


**TYPICAL FIRE HYDRANT SYSTEM**



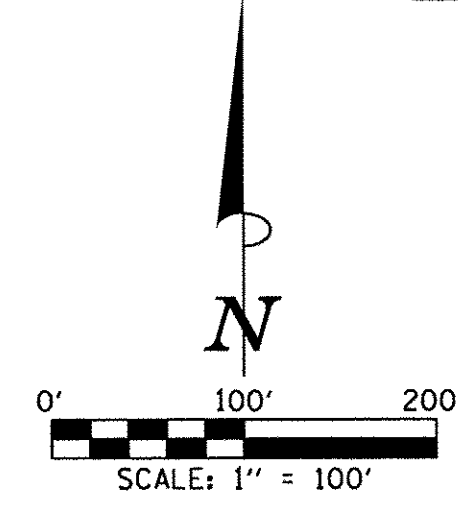
**NOTE:**  
THE FIRE HYDRANT SYSTEM FROM THE NEW WATER MAIN TEE OR NEW TAPPING VALVE OR EXISTING VALVE TO THE NEW FIRE HYDRANT SHALL BE AS NOTED IN THE PLANS AND IN ACCORDANCE WITH THE WATER MAIN DETAILS. THE WORK TO PROVIDE THE 6" RESTRAINED JOINT DUCTILE IRON PIPE AND FITTINGS WILL BE CONSIDERED INCLUDED IN THE CONTRACT UNIT PRICE PER FOOT FOR DUCTILE IRON WATER MAIN 6". RESTRAINED JOINT TYPE. THE WORK TO PROVIDE THE FIRE HYDRANT 6" WATER VALVE WILL BE CONSIDERED INCLUDED IN THE CONTRACT UNIT PRICE EACH FOR WATER VALVE 6". THE WORK TO PROVIDE THE FIRE HYDRANT (BURIED DEPTH NOTED IN THE PLANS) WILL BE CONSIDERED INCLUDED IN THE CONTRACT UNIT PRICE EACH FOR FIRE HYDRANT.

BILL OF MATERIALS			
CODE NUMBER	ITEM	UNIT	TOTAL QUANTITY
44201000	CLASS B PATCHES, TYPE IV, 12 INCH	SO YD	368
44201696	CLASS D PATCHES, TYPE IV, 4 INCH	SO YD	327
44201723	CLASS D PATCHES, TYPE IV, 6 INCH	SO YD	1175
56103300	DUCTILE IRON WATER MAIN 12"	FOOT	1021
56104600	WATER VALVES 2"	EACH	2
56104900	WATER VALVES 6"	EACH	7
56105200	WATER VALVES 12"	EACH	6
56108800	TAPPING VALVES AND SLEEVES 6"	EACH	1
56109100	TAPPING VALVES AND SLEEVES 12"	EACH	1
56200700	WATER SERVICE LINE 2"	FOOT	20
56201800	CORPORATION STOPS 2"	EACH	2
56400500	FIRE HYDRANTS TO BE REMOVED	EACH	4
56400600	FIRE HYDRANTS	EACH	4
59300100	CONTROLLED LOW-STRENGTH MATERIAL	CU YD	1434
67100100	MOBILIZATION	LSUM	0.1
X0327241	STEEL CASING PIPE IN TRENCH, 24 INCH	FOOT	111
X0840000	SANITARY SEWER REMOVAL 8"	FOOT	37
X5610746	WATER MAIN LINE STOP 6"	EACH	5
X6026624	VALVE BOXES TO BE ADJUSTED (SPECIAL)	EACH	7
XX004360	SANITARY SEWER BYPASS PUMPING	LSUM	1
XX005106	PVC CASING PIPE, 18"	FOOT	68
XX005476	DUCTILE IRON WATER MAIN 12" RESTRAINED JOINT TYPE	FOOT	1478
XX005478	DUCTILE IRON WATER MAIN 6" RESTRAINED JOINT TYPE	FOOT	116
XX008839	WATER MAIN TO BE ABANDONED	LSUM	1
Z0056900	SANITARY SEWER 8"	FOOT	37



**WATER MAIN TO BE ABANDONED**  
 THE EXISTING WATER MAINS AND VALVES TO BE RETIRED WITHIN THE PROJECT LIMITS SHALL BE REMOVED OR ABANDONED IN PLACE AND FILLED WITH GROUT INCLUDING THE DOMESTIC WATER SERVICE LINES. EXPOSED ENDS OF ABANDONED LINES SHALL BE PLUGGED OR CAPPED IN A WATERTIGHT MANNER. ALL RETIRED WATER VALVE BOXES, DOMESTIC CURB STOP BOXES, DOMESTIC METER BOXES, AND DEAD END AND CROSS BLOCKING INSTALLED FOR STAGING PURPOSES SHALL BE REMOVED. THIS WORK WILL BE CONSIDERED INCLUDED IN THE CONTRACT UNIT PRICE LUMP SUM FOR WATER MAIN TO BE ABANDONED.

- LEGEND**
- (R) - FIRE HYDRANT TO BE REMOVED
  - (A) - VALVE BOX TO BE ADJUSTED (SPECIAL)
  - (V) - WATER VALVE TO BE ABANDONED
  - X - X - X - WATER MAIN TO BE RETIRED AND ABANDONED



FILE NAME = P:\C0010720\_MCORE\Plans\Sheets\Project1\P1-sht-water-cover-details.dgn  
 PLOT DATE = 8/25/2016 1:30:34 PM

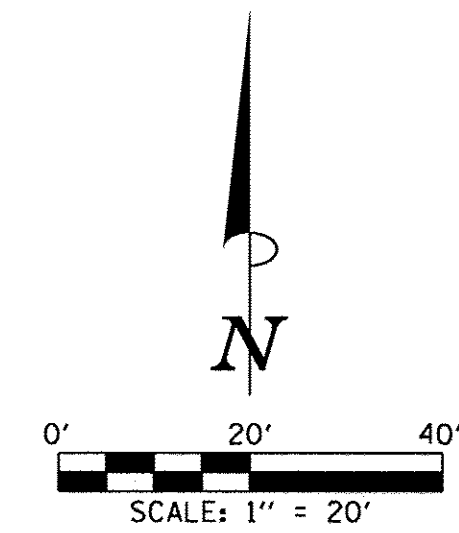
DESIGNED - R.J.H.	REVISED -
DRAWN - R.J.H.	REVISED -
CHECKED - C.S.G.	REVISED -
DATE - MARCH 2016	REVISED -

STATE OF ILLINOIS  
 DEPARTMENT OF TRANSPORTATION

**WATER MAIN PLANS**  
**EXISTING WATER MAIN TO BE ABANDONED**  
 SCALE: 1"=100' SHEET NO. 99 OF 236 SHEETS STA. TO STA.

F.A.U. RTE.	SECTION	COUNTY	TOTAL SHEETS	SHEET NO.
	15-00304-01-PV	CHAMPAIGN	236	99
MCORE PROJECT 1		CONTRACT NO. 91539		
JOB NO. C-95-305-16 ILLINOIS FED. AID PROJECT TIC-5181(057)				

SEC. 18, T.19N., R.9E., 3rd P.M.  
CHAMPAIGN COUNTY, ILLINOIS

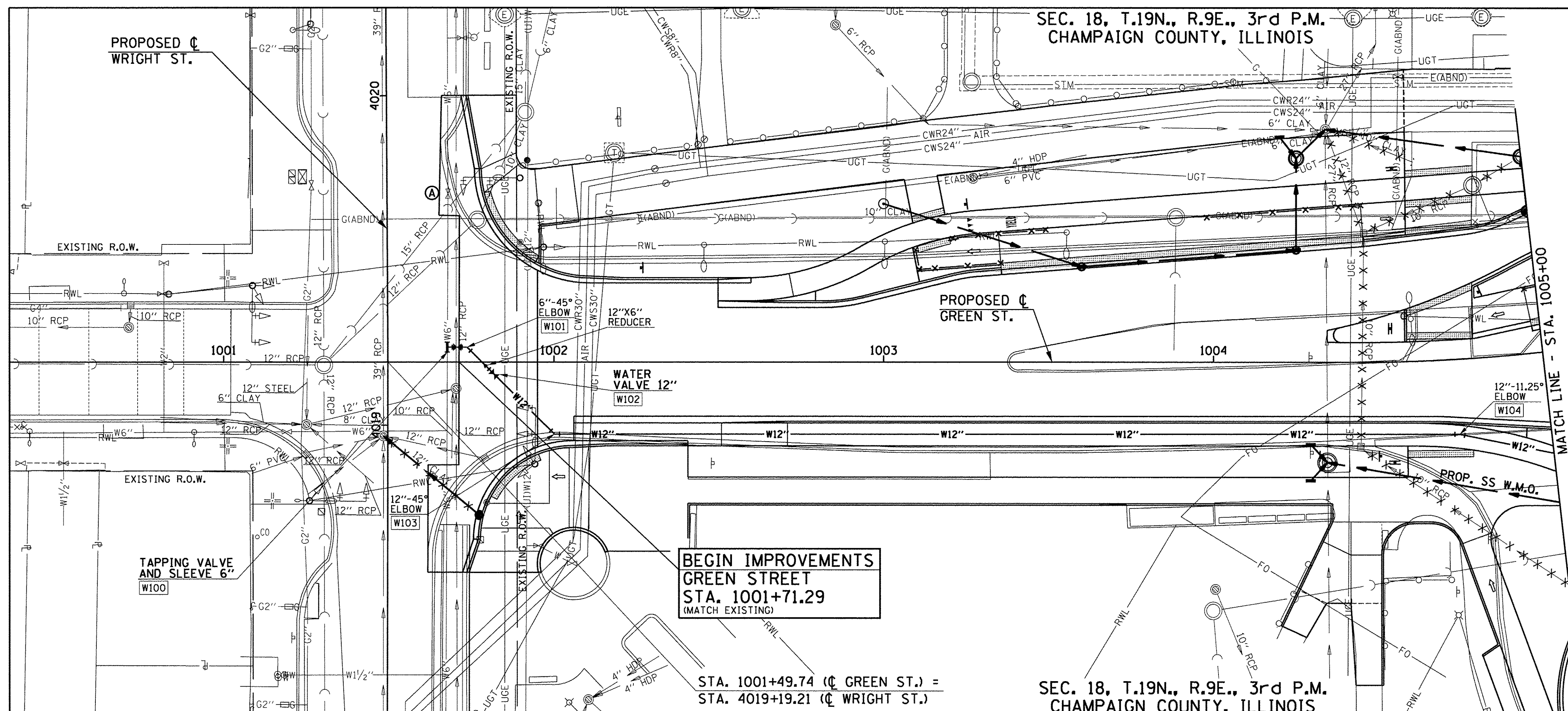


WATER MAIN LAYOUT AND BOTTOM OF PIPE ELEVATION			
POINT NO.	STATION	OFFSET	BOT. OF PIPE ELEVATION
W100	1001+67.72	4.50' LT	718.85
W101	1001+73.72	4.50' LT	718.85
W102	1001+81.89	3.67' RT.	718.60
W103	1002+00.14	21.92' RT.	715.95
W104	1004+73.43	22.85' RT.	716.95

PLAN	BY	DATE
SURVEYED		
PLOTTED		
CHECKED		
NO. OF WAY CHECKED		
CADD FILE NAME		

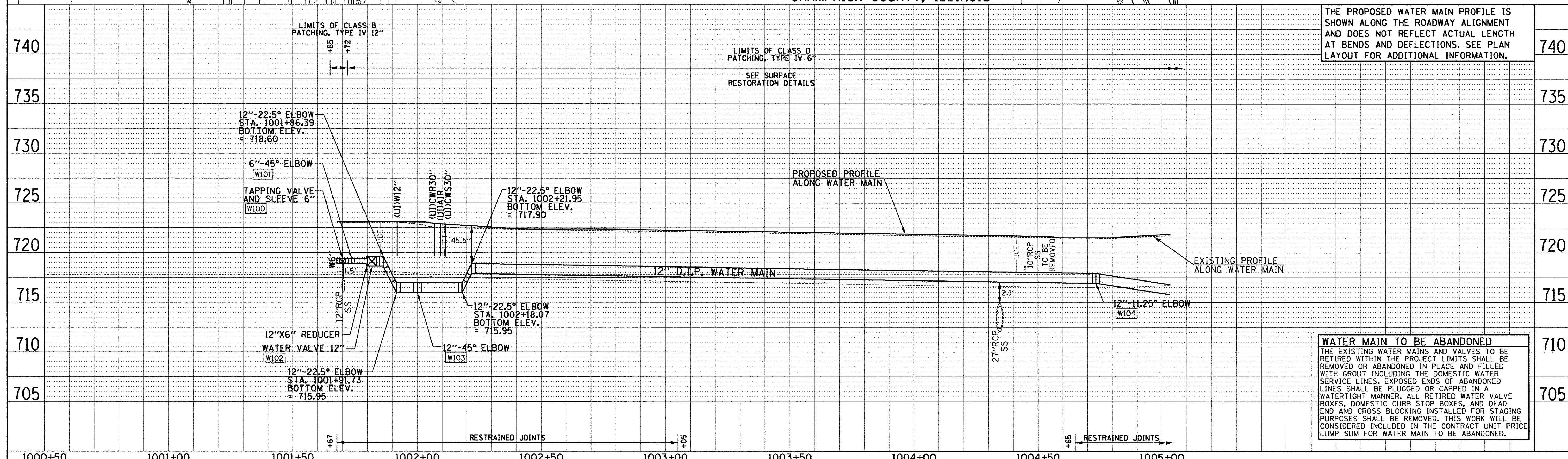


PROFILE	BY	DATE
SURVEYED		
PLOTTED		
CHECKED		
NO. OF WAY CHECKED		
STRUCTURE NOTATIONS OK'D		



- LEGEND**
- W100 - PROPOSED LAYOUT POINT NUMBER
  - - PROPOSED STORM SEWER
  - (A) - VALVE BOX TO BE ADJUSTED (SPECIAL)
  - - STORM SEWER TO BE REMOVED

SEE ROADWAY PLAN AND PROFILE SHEETS FOR ADDITIONAL INFORMATION.



THE PROPOSED WATER MAIN PROFILE IS SHOWN ALONG THE ROADWAY ALIGNMENT AND DOES NOT REFLECT ACTUAL LENGTH AT BENDS AND DEFLECTIONS. SEE PLAN LAYOUT FOR ADDITIONAL INFORMATION.

**WATER MAIN TO BE ABANDONED**  
THE EXISTING WATER MAINS AND VALVES TO BE RETIRED WITHIN THE PROJECT LIMITS SHALL BE REMOVED OR ABANDONED IN PLACE AND FILLED WITH GROUT INCLUDING THE DOMESTIC WATER SERVICE LINES. EXPOSED ENDS OF ABANDONED LINES SHALL BE PLUGGED OR CAPPED IN A WATERTIGHT MANNER. ALL RETIRED WATER VALVE BOXES, DOMESTIC CURB STOP BOXES, AND DEAD END AND CROSS BLOCKING INSTALLED FOR STAGING PURPOSES SHALL BE REMOVED. THIS WORK WILL BE CONSIDERED INCLUDED IN THE CONTRACT UNIT PRICE LUMP SUM FOR WATER MAIN TO BE ABANDONED.

FILE NAME = P:\0010720_MCORE\Plans\Sheets\Project1\P1-sht-water-plnprof.dgn	DESIGNED - R.J.H.	REVISED - R.J.H.	STATE OF ILLINOIS DEPARTMENT OF TRANSPORTATION	WATER MAIN PLANS - GREEN STREET		F.A.U. RTE.	SECTION	COUNTY	TOTAL SHEETS	SHEET NO.
PLOT DATE = 8/25/2016 1:30:40 PM	DRAWN - R.J.H.	REVISED - R.J.H.		SCALE: 1"=20'	SHEET NO. 100 OF 236 SHEETS	STA. 1000+35 TO STA. 1005+00	15-00304-01-PV	CHAMPAIGN	236	100
	CHECKED - C.S.G.	REVISED - S.M.W.					MCORE PROJECT 1		CONTRACT NO. 91539	
	DATE - FEBRUARY 2016	REVISED - AUGUST 2016					JOB NO. C-95-305-16		ILLINOIS FED. AID PROJECT T16-5181(057)	