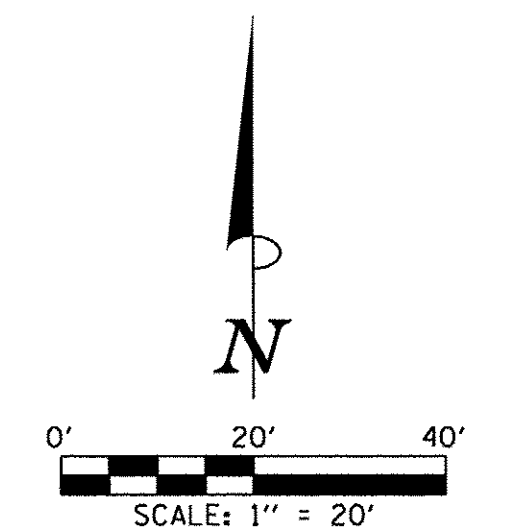
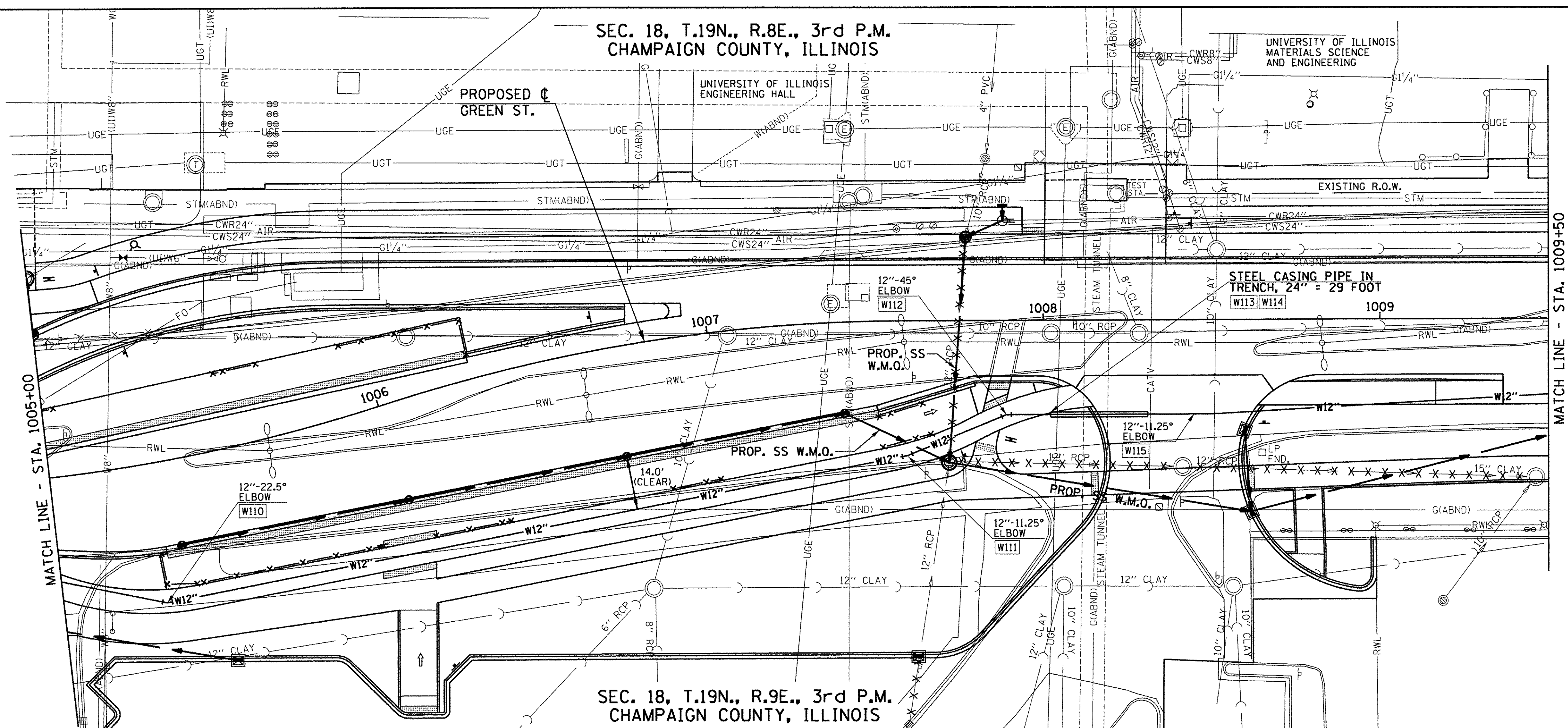


SEC. 18, T.19N., R.8E., 3rd P.M.
CHAMPAIGN COUNTY, ILLINOIS



DATE	
BY	
PLAN	SUBMITTED
	PLOTTED
	ALIGNMENT CHECKED
	NOTE BOOK
	CADD FILE NAME
	NO.

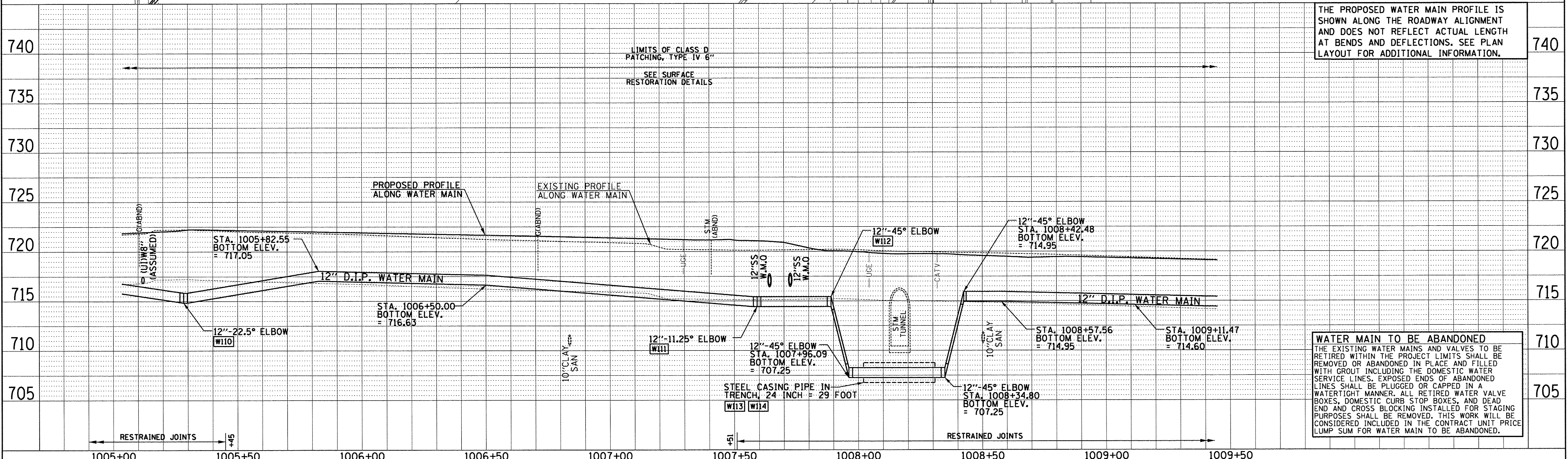


WATER MAIN LAYOUT AND BOTTOM OF PIPE ELEVATION			
POINT NO.	STATION	OFFSET	BOT. OF PIPE ELEVATION
W110	1005+28.20	41.59' RT.	714.85
W111	1007+59.48	40.06' RT.	714.45
W112	1007+88.93	28.04' RT.	714.45
W113	1008+02 ±	28.04' RT.	-
W114	1008+31 ±	28.04' RT.	-

- LEGEND**
- W100 - PROPOSED LAYOUT POINT NUMBER
 - - PROPOSED STORM SEWER
 - * * * - STORM SEWER TO BE REMOVED

SEE PROPOSED SANITARY SEWER ENLARGEMENT PLAN FOR ADDITIONAL INFORMATION.

SEE ROADWAY PLAN AND PROFILE SHEETS FOR ADDITIONAL INFORMATION.



THE PROPOSED WATER MAIN PROFILE IS SHOWN ALONG THE ROADWAY ALIGNMENT AND DOES NOT REFLECT ACTUAL LENGTH AT BENDS AND DEFLECTIONS. SEE PLAN LAYOUT FOR ADDITIONAL INFORMATION.

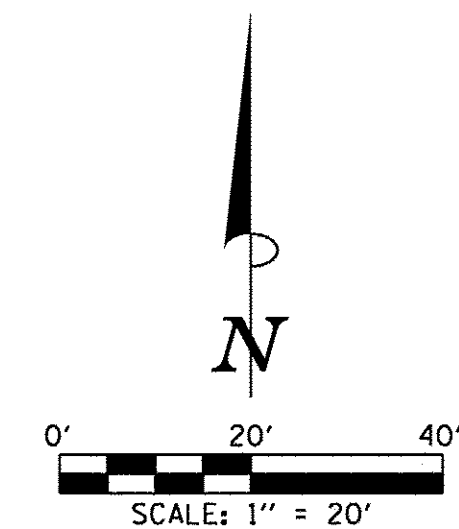
WATER MAIN TO BE ABANDONED
THE EXISTING WATER MAINS AND VALVES TO BE RETIRED WITHIN THE PROJECT LIMITS SHALL BE REMOVED OR ABANDONED IN PLACE AND FILLED WITH GROUT INCLUDING THE DOMESTIC WATER SERVICE LINES. EXPOSED ENDS OF ABANDONED LINES SHALL BE PLUGGED OR CAPPED IN A WATERTIGHT MANNER. ALL RETIRED WATER VALVE BOXES, DOMESTIC CURB STOP BOXES, AND DEAD END AND CROSS BLOCKING INSTALLED FOR STAGING PURPOSES SHALL BE REMOVED. THIS WORK WILL BE CONSIDERED INCLUDED IN THE CONTRACT UNIT PRICE LUMP SUM FOR WATER MAIN TO BE ABANDONED.

DATE	
BY	
PROFILE	REVIEWED
	PLOTTED
	GRADES CHECKED
	NOTE BOOK
	STRUCTURE NOTATIONS CHECKED
	NO.

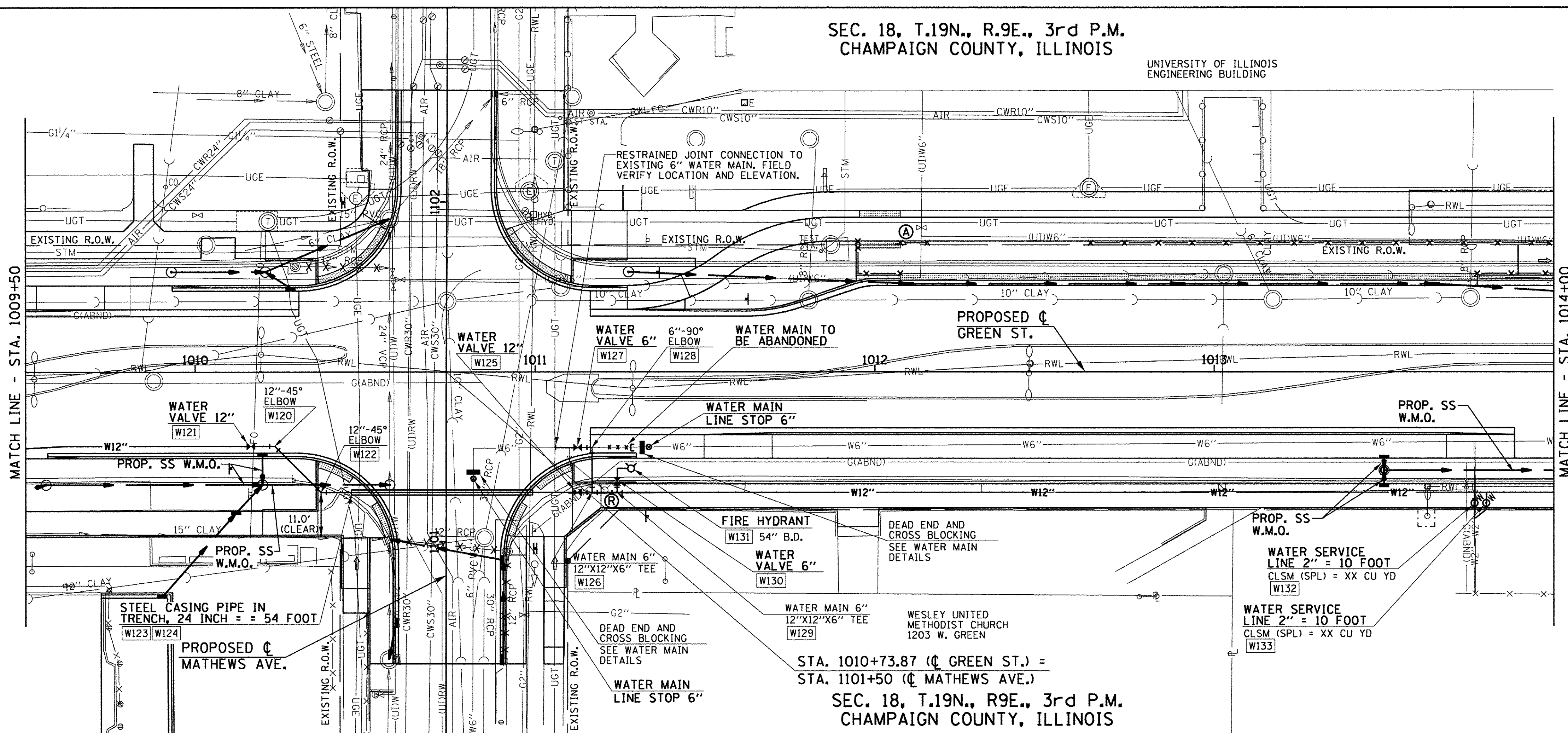


SEC. 18, T.19N., R.9E., 3rd P.M.
CHAMPAIGN COUNTY, ILLINOIS

UNIVERSITY OF ILLINOIS
ENGINEERING BUILDING



PLAN	DATE
BY	
CHECKED	
NO.	

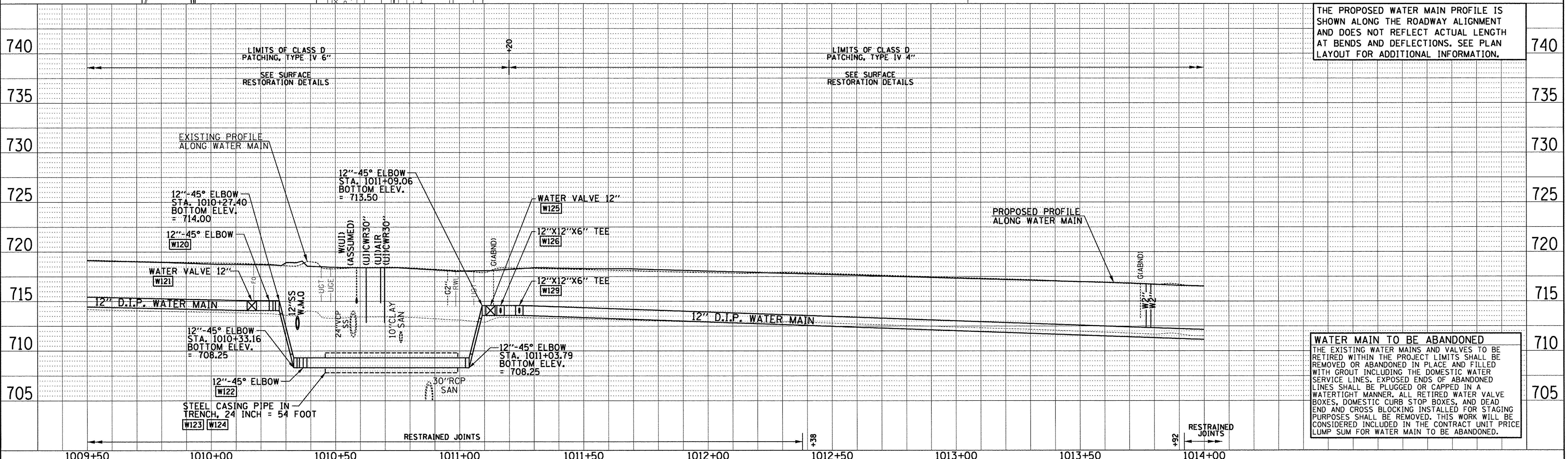


POINT NO.	STATION	OFFSET	BOT. OF PIPE ELEVATION
W120	1010+23.37	21.92' RT.	714.00
W121	1010+16.37	21.92' RT.	714.00
W122	1010+36.96	35.50' RT.	708.25
W123	1010+45 ±	35.51' RT.	-
W124	1010+99 ±	35.51' RT.	-
W125	1011+12.42	35.50' RT.	713.50
W126	1011+16.70	35.51' RT.	713.50
W127	1011+12.47	22.28' RT.	714.65
W128	1011+16.70	22.36' RT.	714.65
W129	1011+24.05	35.50' RT.	713.50
W130	1011+24.11	32.32' RT.	-
W131	1011+28.19	28.50' RT.	713.65
W132	1013+76.71	38.66' RT.	712.30
W133	1013+80.14	38.65' RT.	712.30

- LEGEND**
- W100 - PROPOSED LAYOUT POINT NUMBER
 - - PROPOSED STORM SEWER
 - Ⓡ - FIRE HYDRANT TO BE REMOVED
 - ⓐ - VALVE BOX TO BE ADJUSTED (SPECIAL)
 - *** - STORM SEWER TO BE REMOVED
- SEE ROADWAY PLAN AND PROFILE SHEETS FOR ADDITIONAL INFORMATION.

Clark Dew
ENGINEERS

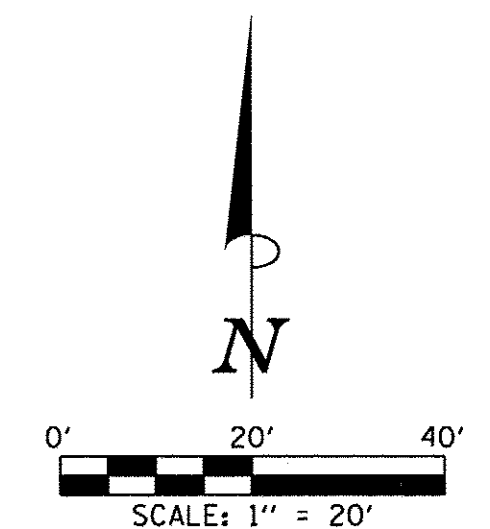
PROFILE	DATE
BY	
CHECKED	
NO.	



THE PROPOSED WATER MAIN PROFILE IS SHOWN ALONG THE ROADWAY ALIGNMENT AND DOES NOT REFLECT ACTUAL LENGTH AT BENDS AND DEFLECTIONS. SEE PLAN LAYOUT FOR ADDITIONAL INFORMATION.

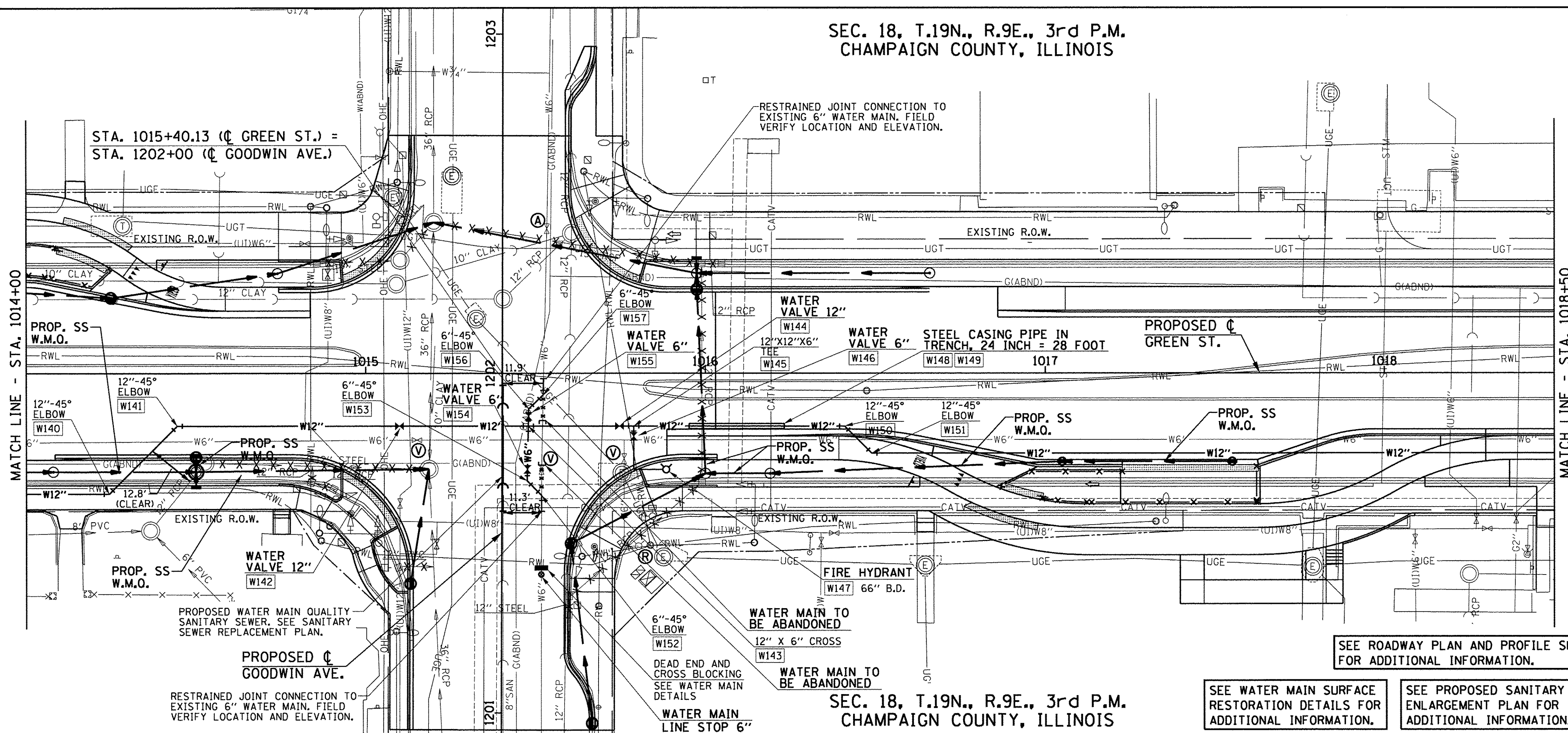
WATER MAIN TO BE ABANDONED
THE EXISTING WATER MAINS AND VALVES TO BE RETIRED WITHIN THE PROJECT LIMITS SHALL BE REMOVED OR ABANDONED IN PLACE AND FILLED WITH GROUT INCLUDING THE DOMESTIC WATER SERVICE LINES. EXPOSED ENDS OF ABANDONED LINES SHALL BE PLUGGED OR CAPPED IN A WATERTIGHT MANNER. ALL RETIRED WATER VALVE BOXES, DOMESTIC CURB STOP BOXES, AND DEAD END AND CROSS BLOCKING INSTALLED FOR STAGING PURPOSES SHALL BE REMOVED. THIS WORK WILL BE CONSIDERED INCLUDED IN THE CONTRACT UNIT PRICE LUMP SUM FOR WATER MAIN TO BE ABANDONED.

SEC. 18, T.19N., R.9E., 3rd P.M.
CHAMPAIGN COUNTY, ILLINOIS



WATER MAIN LAYOUT AND BOTTOM OF PIPE ELEVATION			
POINT NO.	STATION	OFFSET	BOT. OF PIPE ELEVATION
W140	1014+24.51	35.50' RT.	710.90
W141	1014+44.46	15.55' RT.	710.90
W142	1015+09.90	15.55' RT.	712.05
W143	1015+74.85	15.55' RT.	712.05
W144	1015+74.73	15.56' RT.	712.05
W145	1015+78.92	15.57' RT.	712.05
W146	1015+78.92	18.59' RT.	-
W147	1015+88.45	28.33' RT.	711.70
W148	1015+95.18	15.59' RT.	-
W149	1016+23.18	15.60' RT.	-
W150	1016+41.00	15.61' RT.	712.40
W151	1016+48.97	23.59' RT.	712.40
W152	1015+51.71	35.88' RT.	712.90
W153	1015+47.47	31.63' RT.	712.30
W154	1015+47.55	28.26' RT.	712.30
W155	1015+47.91	12.65' RT.	712.30
W156	1015+47.96	10.47' RT.	712.30
W157	1015+52.23	6.39' RT.	712.90

- LEGEND**
- W100 - PROPOSED LAYOUT POINT NUMBER
 - - PROPOSED STORM SEWER
 - - PROPOSED SANITARY SEWER (WATER MAIN QUALITY)
 - Ⓡ - FIRE HYDRANT TO BE REMOVED
 - Ⓐ - VALVE BOX TO BE ADJUSTED (SPECIAL)
 - Ⓥ - VALVE BOX TO BE ABANDONED
 - * * * - STORM SEWER TO BE REMOVED



SEE ROADWAY PLAN AND PROFILE SHEETS FOR ADDITIONAL INFORMATION.

SEE WATER MAIN SURFACE RESTORATION DETAILS FOR ADDITIONAL INFORMATION.

SEE PROPOSED SANITARY SEWER ENLARGEMENT PLAN FOR ADDITIONAL INFORMATION.

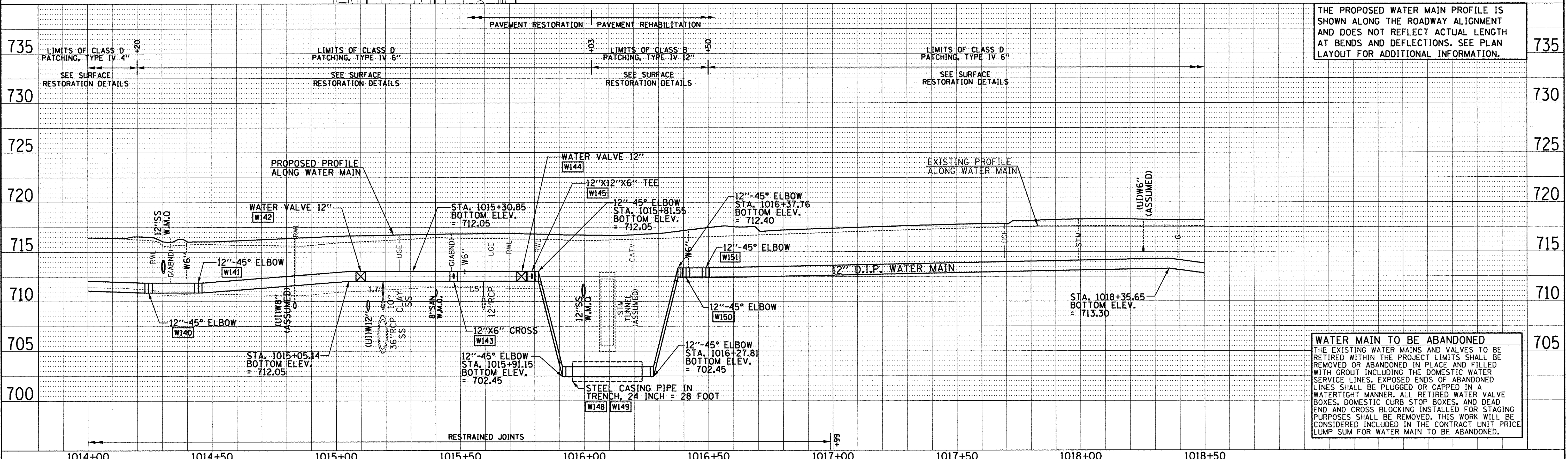
RESTRAINED JOINT CONNECTION TO EXISTING 6" WATER MAIN. FIELD VERIFY LOCATION AND ELEVATION.

DEAD END AND CROSS BLOCKING SEE WATER MAIN DETAILS

SEC. 18, T.19N., R.9E., 3rd P.M.
CHAMPAIGN COUNTY, ILLINOIS

DATE	
BY	
PLAN	SURVEYED
	PLOTTED
	ALIGNED
	CHECKED
	NO. 1
	NO. 2
	NO. 3
	NO. 4
	NO. 5
	NO. 6
	NO. 7
	NO. 8
	NO. 9
	NO. 10
	NO. 11
	NO. 12
	NO. 13
	NO. 14
	NO. 15
	NO. 16
	NO. 17
	NO. 18
	NO. 19
	NO. 20
	NO. 21
	NO. 22
	NO. 23
	NO. 24
	NO. 25
	NO. 26
	NO. 27
	NO. 28
	NO. 29
	NO. 30
	NO. 31
	NO. 32
	NO. 33
	NO. 34
	NO. 35
	NO. 36
	NO. 37
	NO. 38
	NO. 39
	NO. 40
	NO. 41
	NO. 42
	NO. 43
	NO. 44
	NO. 45
	NO. 46
	NO. 47
	NO. 48
	NO. 49
	NO. 50
	NO. 51
	NO. 52
	NO. 53
	NO. 54
	NO. 55
	NO. 56
	NO. 57
	NO. 58
	NO. 59
	NO. 60
	NO. 61
	NO. 62
	NO. 63
	NO. 64
	NO. 65
	NO. 66
	NO. 67
	NO. 68
	NO. 69
	NO. 70
	NO. 71
	NO. 72
	NO. 73
	NO. 74
	NO. 75
	NO. 76
	NO. 77
	NO. 78
	NO. 79
	NO. 80
	NO. 81
	NO. 82
	NO. 83
	NO. 84
	NO. 85
	NO. 86
	NO. 87
	NO. 88
	NO. 89
	NO. 90
	NO. 91
	NO. 92
	NO. 93
	NO. 94
	NO. 95
	NO. 96
	NO. 97
	NO. 98
	NO. 99
	NO. 100

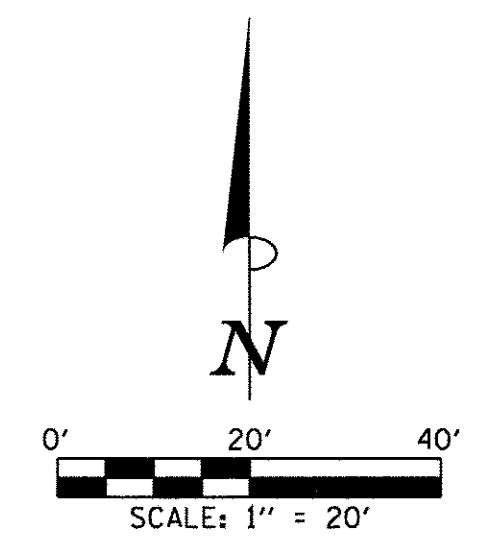
DATE	
BY	
PROFILE	SURVEYED
	PLOTTED
	GRADES CHECKED
	NO. 1
	NO. 2
	NO. 3
	NO. 4
	NO. 5
	NO. 6
	NO. 7
	NO. 8
	NO. 9
	NO. 10
	NO. 11
	NO. 12
	NO. 13
	NO. 14
	NO. 15
	NO. 16
	NO. 17
	NO. 18
	NO. 19
	NO. 20
	NO. 21
	NO. 22
	NO. 23
	NO. 24
	NO. 25
	NO. 26
	NO. 27
	NO. 28
	NO. 29
	NO. 30
	NO. 31
	NO. 32
	NO. 33
	NO. 34
	NO. 35
	NO. 36
	NO. 37
	NO. 38
	NO. 39
	NO. 40
	NO. 41
	NO. 42
	NO. 43
	NO. 44
	NO. 45
	NO. 46
	NO. 47
	NO. 48
	NO. 49
	NO. 50
	NO. 51
	NO. 52
	NO. 53
	NO. 54
	NO. 55
	NO. 56
	NO. 57
	NO. 58
	NO. 59
	NO. 60
	NO. 61
	NO. 62
	NO. 63
	NO. 64
	NO. 65
	NO. 66
	NO. 67
	NO. 68
	NO. 69
	NO. 70
	NO. 71
	NO. 72
	NO. 73
	NO. 74
	NO. 75
	NO. 76
	NO. 77
	NO. 78
	NO. 79
	NO. 80
	NO. 81
	NO. 82
	NO. 83
	NO. 84
	NO. 85
	NO. 86
	NO. 87
	NO. 88
	NO. 89
	NO. 90
	NO. 91
	NO. 92
	NO. 93
	NO. 94
	NO. 95
	NO. 96
	NO. 97
	NO. 98
	NO. 99
	NO. 100



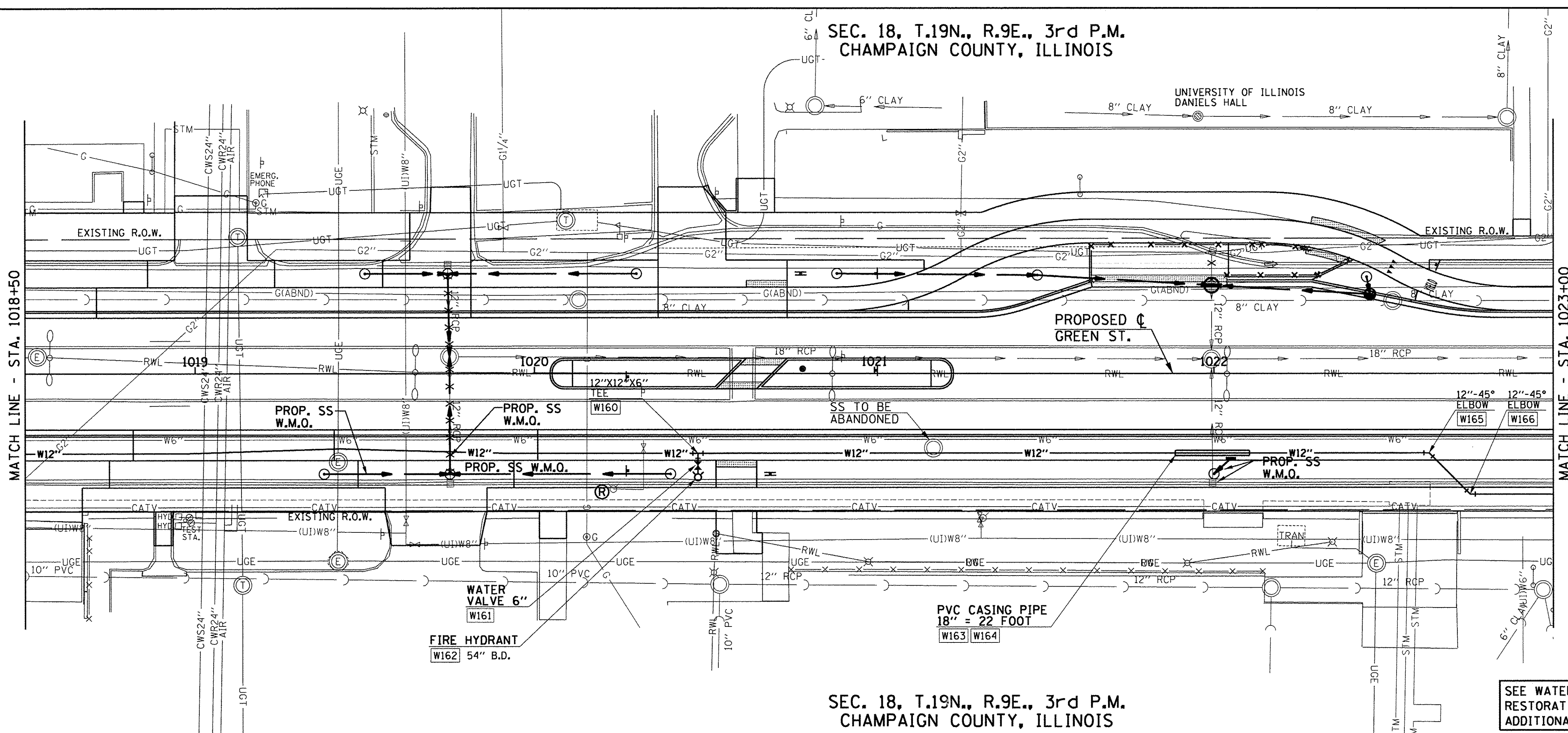
THE PROPOSED WATER MAIN PROFILE IS SHOWN ALONG THE ROADWAY ALIGNMENT AND DOES NOT REFLECT ACTUAL LENGTH AT BENDS AND DEFLECTIONS. SEE PLAN LAYOUT FOR ADDITIONAL INFORMATION.

WATER MAIN TO BE ABANDONED
THE EXISTING WATER MAINS AND VALVES TO BE RETIRED WITHIN THE PROJECT LIMITS SHALL BE REMOVED OR ABANDONED IN PLACE AND FILLED WITH GROUT INCLUDING THE DOMESTIC WATER SERVICE LINES. EXPOSED ENDS OF ABANDONED LINES SHALL BE PLUGGED OR CAPPED IN A WATERTIGHT MANNER. ALL RETIRED WATER VALVE BOXES, DOMESTIC CURB STOP BOXES, AND DEAD END AND CROSS BLOCKING INSTALLED FOR STAGING PURPOSES SHALL BE REMOVED. THIS WORK WILL BE CONSIDERED INCLUDED IN THE CONTRACT UNIT PRICE LUMP SUM FOR WATER MAIN TO BE ABANDONED.

SEC. 18, T.19N., R.9E., 3rd P.M.
CHAMPAIGN COUNTY, ILLINOIS



DATE	
BY	
PLAN	
SURVEYED	
PLOTTED	
CHECKED	
NOTE BOOK	
NO. _____	
CADD FILE NAME	



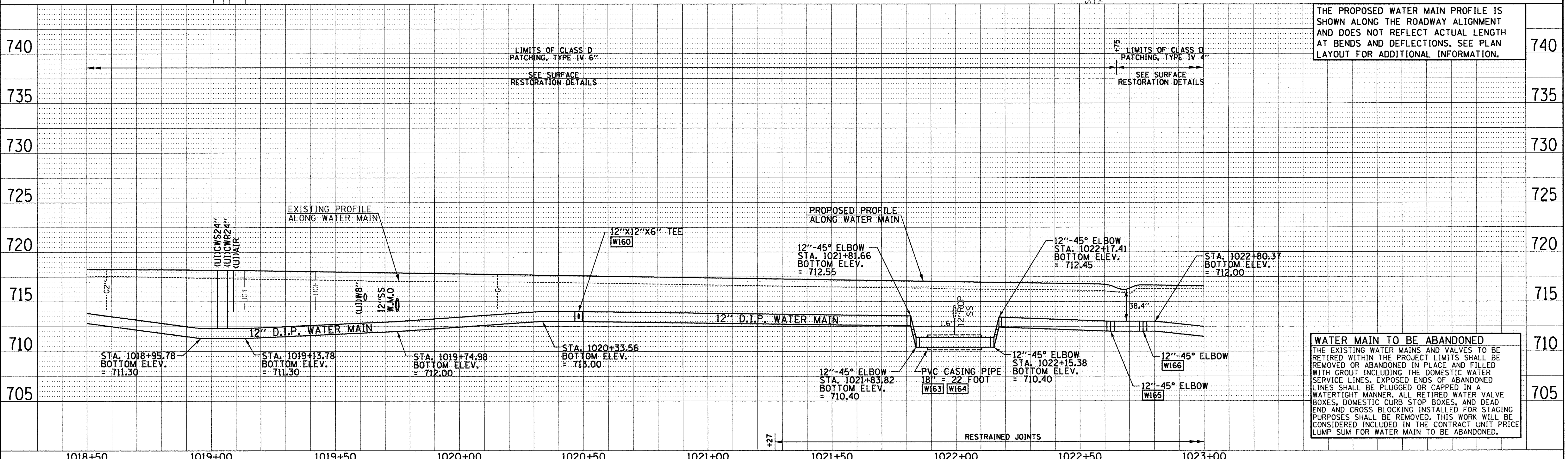
WATER MAIN LAYOUT AND BOTTOM OF PIPE ELEVATION			
POINT NO.	STATION	OFFSET	BOT. OF PIPE ELEVATION
W160	1020+48.07	23.43' RT.	713.00
W161	1020+48.07	27.01' RT.	-
W162	1020+48.09	30.48' RT.	713.25
W163	1021+88 ±	23.37' RT.	-
W164	1022+10 ±	23.36' RT.	-
W165	1022+63.37	23.34' RT.	712.00
W166	1022+75.53	35.50' RT.	712.00

- LEGEND**
- W100 - PROPOSED LAYOUT POINT NUMBER
 - - PROPOSED STORM SEWER
 - Ⓡ - FIRE HYDRANT TO BE REMOVED
 - *-*- - STORM SEWER TO BE REMOVED

SEE WATER MAIN SURFACE RESTORATION DETAILS FOR ADDITIONAL INFORMATION.

SEE ROADWAY PLAN AND PROFILE SHEETS FOR ADDITIONAL INFORMATION.

SEC. 18, T.19N., R.9E., 3rd P.M.
CHAMPAIGN COUNTY, ILLINOIS



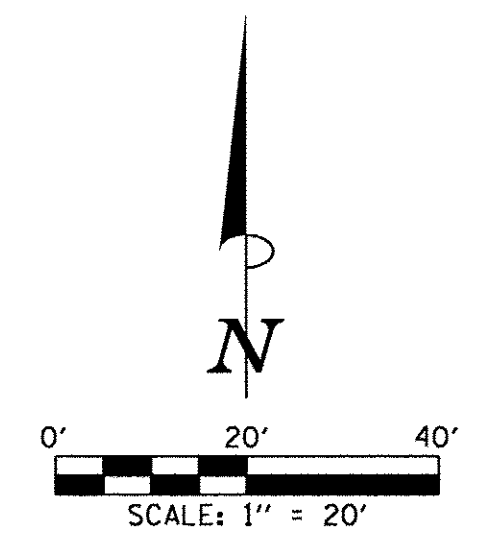
THE PROPOSED WATER MAIN PROFILE IS SHOWN ALONG THE ROADWAY ALIGNMENT AND DOES NOT REFLECT ACTUAL LENGTH AT BENDS AND DEFLECTIONS. SEE PLAN LAYOUT FOR ADDITIONAL INFORMATION.

WATER MAIN TO BE ABANDONED
THE EXISTING WATER MAINS AND VALVES TO BE RETIRED WITHIN THE PROJECT LIMITS SHALL BE REMOVED OR ABANDONED IN PLACE AND FILLED WITH GROUT INCLUDING THE DOMESTIC WATER SERVICE LINES. EXPOSED ENDS OF ABANDONED LINES SHALL BE PLUGGED OR CAPPED IN A WATERTIGHT MANNER. ALL RETIRED WATER VALVE BOXES, DOMESTIC CURB STOP BOXES, AND DEAD END AND CROSS BLOCKING INSTALLED FOR STAGING PURPOSES SHALL BE REMOVED. THIS WORK WILL BE CONSIDERED INCLUDED IN THE CONTRACT UNIT PRICE LUMP SUM FOR WATER MAIN TO BE ABANDONED.

DATE	
BY	
PROFILE	
SURVEYED	
PLOTTED	
CHECKED	
NOTE BOOK	
NO. _____	
STRUCTURE NOTATION	CHKD



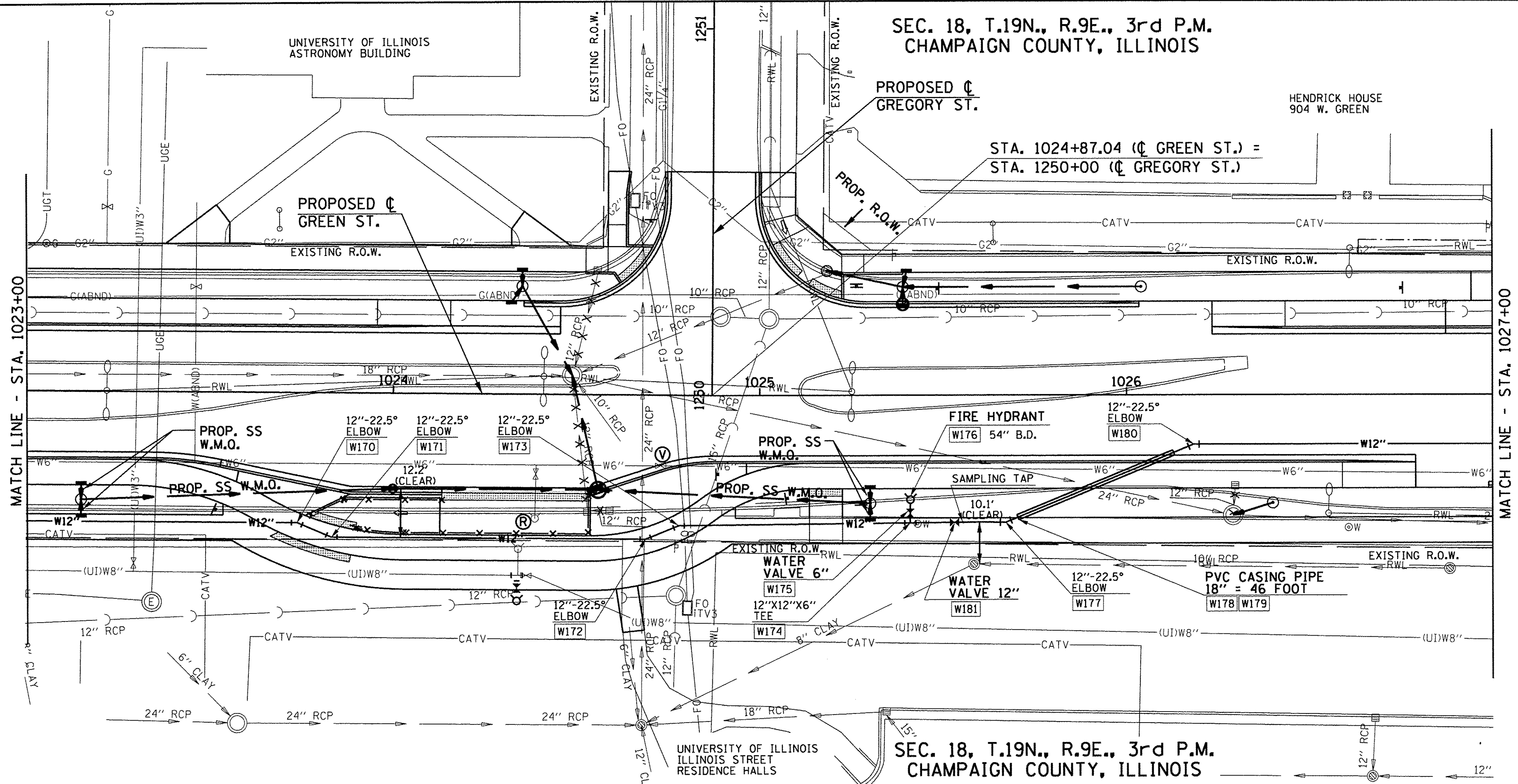
SEC. 18, T.19N., R.9E., 3rd P.M.
CHAMPAIGN COUNTY, ILLINOIS



DATE	BY



DATE	BY

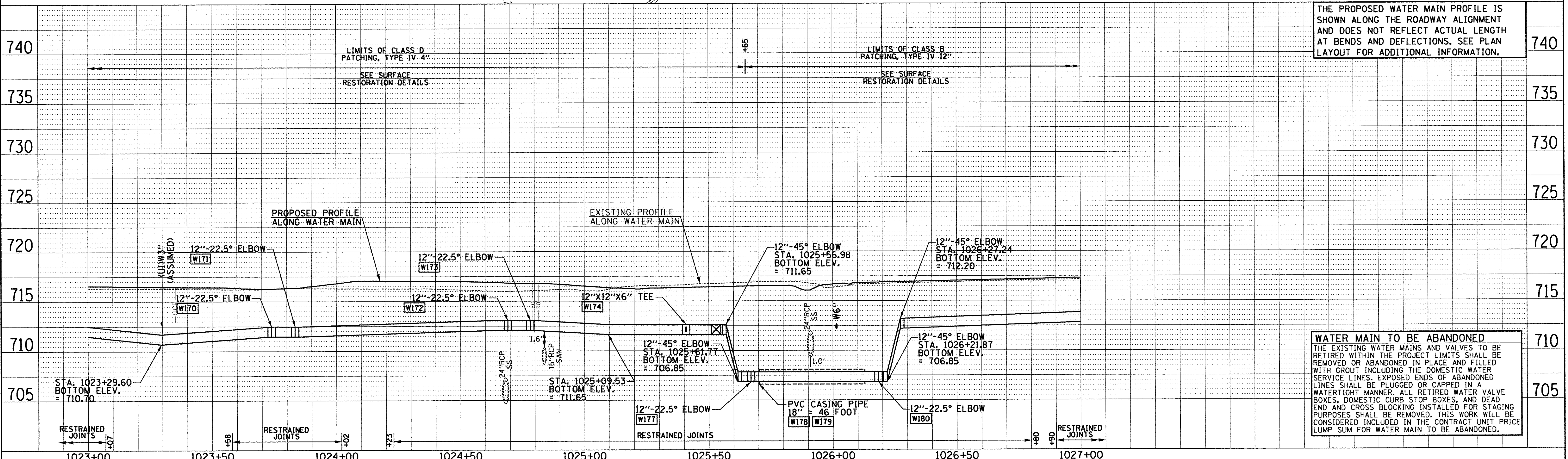


WATER MAIN LAYOUT AND BOTTOM OF PIPE ELEVATION			
POINT NO.	STATION	OFFSET	BOT. OF PIPE ELEVATION
W170	1023+73.89	35.50' RT.	711.45
W171	1023+83.32	39.40' RT.	711.45
W172	1024+69.10	39.35' RT.	712.10
W173	1024+78.17	35.59' RT.	712.10
W174	1025+40.86	34.86' RT.	711.65
W175	1025+40.89	32.22' RT.	-
W176	1025+40.95	28.50' RT.	711.90
W177	1025+67.02	34.75' RT.	706.85
W178	1025+70.32	33.38' RT.	-
W179	1026+12.82	15.78' RT.	-
W180	1026+18.31	13.50' RT.	706.85
W181	1025+53.00	34.73' RT.	711.65

- LEGEND**
- W100 - PROPOSED LAYOUT POINT NUMBER
 - - PROPOSED STORM SEWER
 - Ⓡ - FIRE HYDRANT TO BE REMOVED
 - Ⓐ - VALVE BOX TO BE ADJUSTED (SPECIAL)
 - Ⓥ - VALVE BOX TO BE ABANDONED
 - x---x--- - STORM SEWER TO BE REMOVED

SEE WATER MAIN SURFACE RESTORATION DETAILS FOR ADDITIONAL INFORMATION.

SEE ROADWAY PLAN AND PROFILE SHEETS FOR ADDITIONAL INFORMATION.



THE PROPOSED WATER MAIN PROFILE IS SHOWN ALONG THE ROADWAY ALIGNMENT AND DOES NOT REFLECT ACTUAL LENGTH AT BENDS AND DEFLECTIONS. SEE PLAN LAYOUT FOR ADDITIONAL INFORMATION.

WATER MAIN TO BE ABANDONED
THE EXISTING WATER MAINS AND VALVES TO BE RETIRED WITHIN THE PROJECT LIMITS SHALL BE REMOVED OR ABANDONED IN PLACE AND FILLED WITH GROUT INCLUDING THE DOMESTIC WATER SERVICE LINES. EXPOSED ENDS OF ABANDONED LINES SHALL BE PLUGGED OR CAPPED IN A WATERTIGHT MANNER. ALL RETIRED WATER VALVE BOXES, DOMESTIC CURB STOP BOXES, AND DEAD END AND CROSS BLOCKING INSTALLED FOR STAGING PURPOSES SHALL BE REMOVED. THIS WORK WILL BE CONSIDERED INCLUDED IN THE CONTRACT UNIT PRICE LUMP SUM FOR WATER MAIN TO BE ABANDONED.

FILE NAME = P:\C0010720_MCORE\Plans\sheets\Project1\P1-sht-water-p1nprof.dgn
PLOT DATE = 8/25/2016 1:30:45 PM

DESIGNED - R.J.H.	REVISED -
DRAWN - R.J.H.	REVISED -
CHECKED - C.S.G.	REVISED -
DATE - FEBRUARY 2016	REVISED -

STATE OF ILLINOIS
DEPARTMENT OF TRANSPORTATION

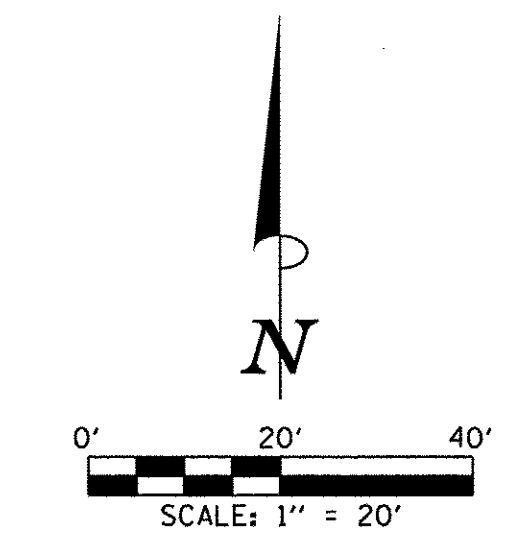
WATER MAIN PLANS - GREEN STREET
SCALE: 1"=20' SHEET NO. 105 OF 236 SHEETS STA. 1023+00 TO STA. 1027+00

F.A.U. RTE.	SECTION	COUNTY	TOTAL SHEETS	SHEET NO.
	15-00304-01-PV	CHAMPAIGN	236	105
MCORE PROJECT 1		CONTRACT NO. 91539		
JOB NO. C-95-305-16		ILLINOIS FED. AID PROJECT TIG-5181057		

SEC. 17, T.19N., R98E., 3rd P.M.
CHAMPAIGN COUNTY, ILLINOIS

SEC. 17, T.19N., R.9E., 3rd P.M.
CHAMPAIGN COUNTY, ILLINOIS

END IMPROVEMENTS
GREEN STREET
STA. 1031+17.50
(MATCH EXISTING)

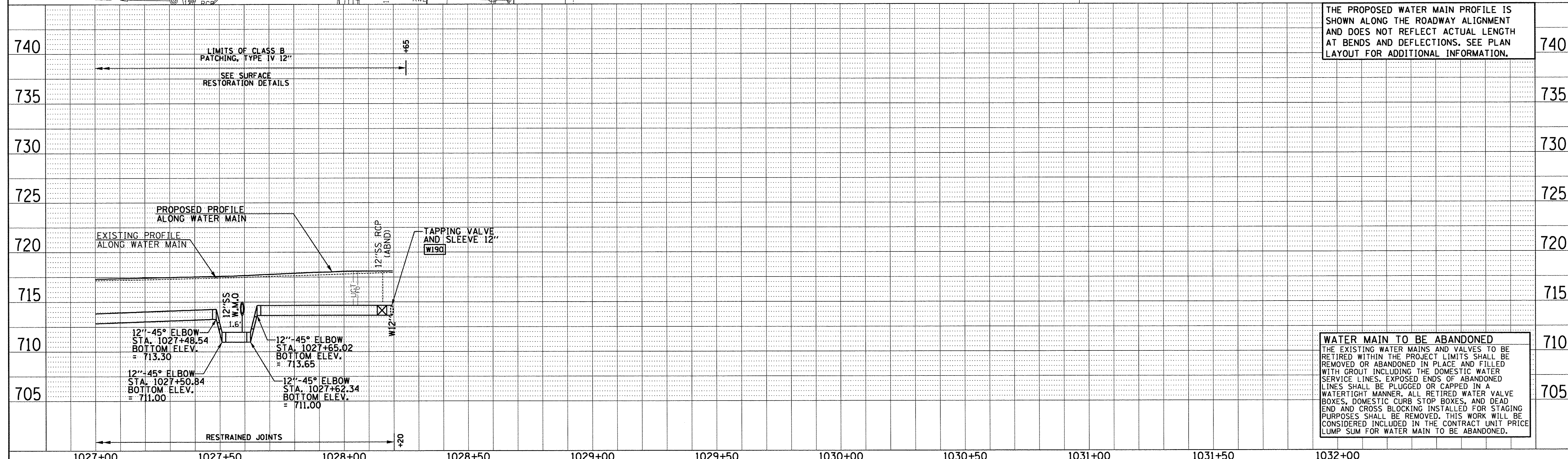
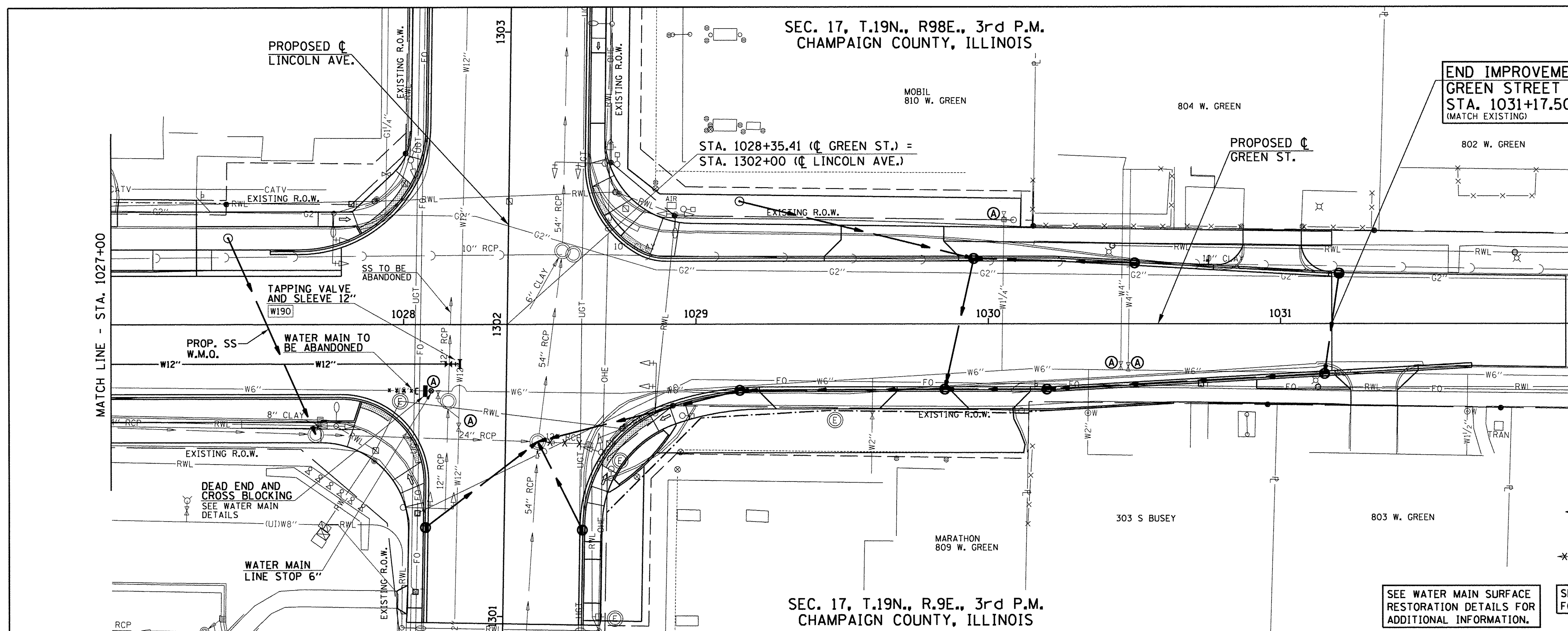


WATER MAIN LAYOUT AND BOT. OF PIPE ELEVATION			
POINT NO.	STATION	OFFSET	BOT. OF PIPE ELEVATION
W190	1028+19.22	13.50' RT.	713.65

- LEGEND**
- W100 - PROPOSED LAYOUT POINT NUMBER
 - - PROPOSED STORM SEWER
 - (A) - VALVE BOX TO BE ADJUSTED (SPECIAL)
 - * * * - STORM SEWER TO BE REMOVED

SEE WATER MAIN SURFACE RESTORATION DETAILS FOR ADDITIONAL INFORMATION.

SEE ROADWAY PLAN AND PROFILE SHEETS FOR ADDITIONAL INFORMATION.



THE PROPOSED WATER MAIN PROFILE IS SHOWN ALONG THE ROADWAY ALIGNMENT AND DOES NOT REFLECT ACTUAL LENGTH AT BENDS AND DEFLECTIONS. SEE PLAN LAYOUT FOR ADDITIONAL INFORMATION.

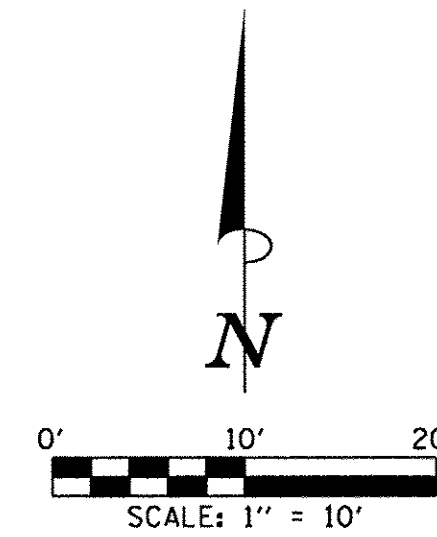
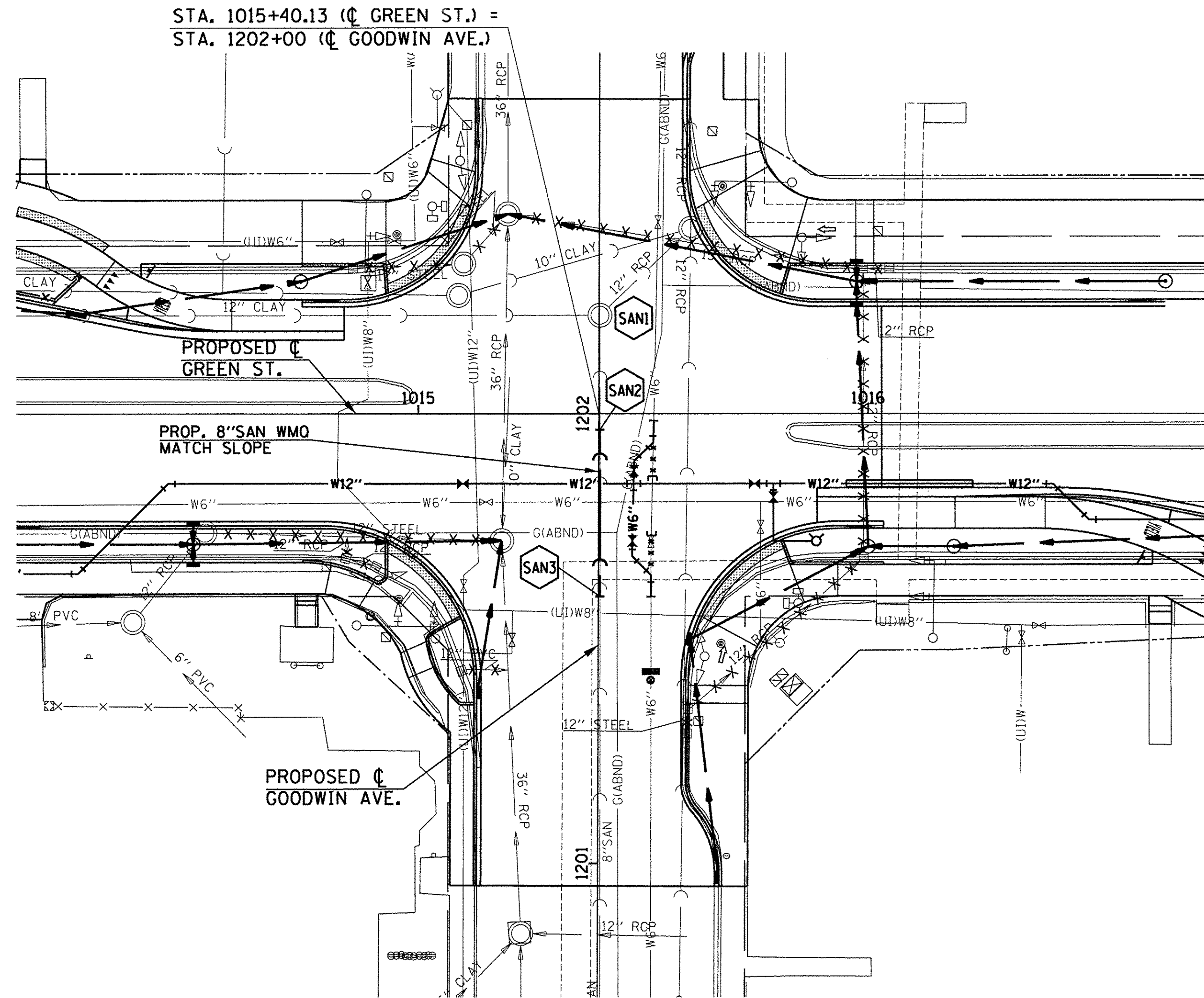
WATER MAIN TO BE ABANDONED
THE EXISTING WATER MAINS AND VALVES TO BE RETIRED WITHIN THE PROJECT LIMITS SHALL BE REMOVED OR ABANDONED IN PLACE AND FILLED WITH GROUT INCLUDING THE DOMESTIC WATER SERVICE LINES. EXPOSED ENDS OF ABANDONED LINES SHALL BE PLUGGED OR CAPPED IN A WATERTIGHT MANNER. ALL RETIRED WATER VALVE BOXES, DOMESTIC CURB STOP BOXES, AND DEAD END AND CROSS BLOCKING INSTALLED FOR STAGING PURPOSES SHALL BE REMOVED. THIS WORK WILL BE CONSIDERED INCLUDED IN THE CONTRACT UNIT PRICE LUMP SUM FOR WATER MAIN TO BE ABANDONED.

PLAN	SURVEYED	DATE
	PLOTTED	
	NOTE BOOK	
	REVISIONS	
	CADD FILE NAME	
	NO.	

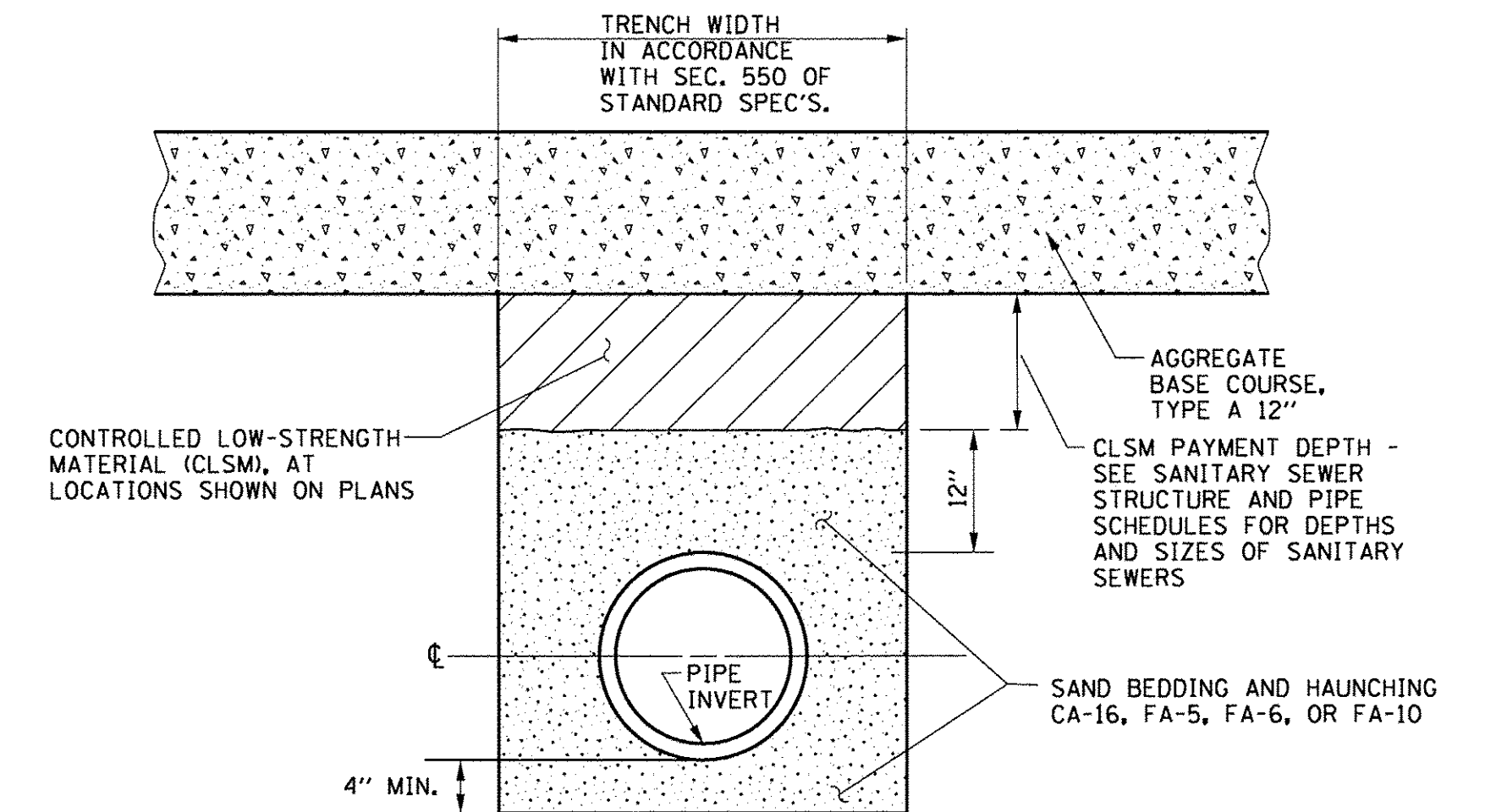
PROFILE	SURVEYED	DATE
	PLOTTED	
	NOTE BOOK	
	REVISIONS	
	STRUCTURE NOTATIONS	
	CHKD	
	NO.	



SEC. 18, T.19N., R.9E., 3rd P.M.
CHAMPAIGN COUNTY, ILLINOIS



- LEGEND**
- - PROPOSED STORM SEWER
 - X-X- - STORM SEWER TO BE REMOVED
 - C-O- - PROPOSED SANITARY SEWER (WATER MAIN QUALITY)
 - SANX - SANITARY SEWER STRUCTURE NUMBER
 - W12"- - PROPOSED WATER MAIN



SANITARY SEWER TRENCH DETAIL

NOTES:

1. THE APPLICABLE ARTICLES OF SECTION 550 OF THE STANDARD SPECIFICATIONS SHALL APPLY FOR EXCAVATION, BEDDING, AND INSTALLATION OF THE SANITARY SEWERS.
2. THE USE OF DOUBLE TRENCH BOXES WILL BE ALLOWED TO MINIMIZE TRENCH WIDTHS.
3. THE AGGREGATE BEDDING AND HAUNCHING MATERIAL SHALL BE PLACED IN 8 INCH LIFTS, LOOSE MEASUREMENT AND COMPACTED TO THE SATISFACTION OF THE ENGINEER.
4. THE CLSM SHALL BE PLACED IN LIFTS AS DESCRIBED IN SECTION 593 OF THE STANDARD SPECIFICATIONS.
5. THE COST OF TRENCHING, AGGREGATE BEDDING MATERIAL, AND AGGREGATE HAUNCHING MATERIAL FROM THE TOP OF THE BEDDING TO 12" ABOVE THE TOP OF THE PIPE WILL NOT BE PAID FOR SEPARATELY BUT SHALL BE INCLUDED IN THE COST OF THE SANITARY SEWER, AND NO ADDITIONAL COMPENSATION WILL BE ALLOWED.

SANITARY SEWER STRUCTURE SCHEDULE								
STR. NO.	STRUCTURE TYPE	OFF-SET SIDE	C/L STA. OF STR.	OFFSET TO C/L OF STR.	INVERT IN ELEV.	U.S. STR. NO.	INVERT OUT ELEV.	D.S. STR. NO.
SAN1	SEE REMOVAL PLANS	-	-	-	-	-	-	-
SAN2	SANITARY SEWER CONNECTION	RT	*1015+40.36	*3.55	*	SAN6	*	SAN4
SAN3	SANITARY SEWER CONNECTION	RT	*1015+40.30	*40.55	*	SOUTH	*	SAN5

* FIELD VERIFY LOCATION AND ELEVATION

SANITARY SEWER PIPE SCHEDULE				
LOCATION STRUCTURE TO STRUCTURE	SANITARY SEWER REM 8" (FOOT)	SANITARY SEWER TYPE 2 8" (FOOT)	GRADE %	CONTR LOW-STRENG MATERIAL (CU YD)
SAN2-SAN3	37	**37	***	10.9

** FOR CONNECTION TO EXISTING PIPES
*** MATCH EXISTING SLOPE

SEE DRAINAGE STRUCTURE AND PIPE SCHEDULES FOR STORM SEWER STRUCTURE LOCATIONS, ELEVATIONS, STORM SEWER TYPES, PIPE SLOPES AND ADDITIONAL SANITARY MANHOLE ADJUSTMENTS.

SEE ROADWAY PLANS, WATER MAIN PLANS, TRAFFIC SIGNAL PLANS, AND ROADWAY LIGHTING PLANS FOR PROPOSED UTILITY INFORMATION.

SEC. 18, T.19N., R.9E., 3rd P.M.
CHAMPAIGN COUNTY, ILLINOIS

FILE NAME = P:\C0010720_MCORE\Plans\Sheets\Project1\P1-sht-water-plnprof.dgn
PLOT DATE = 8/25/2016 1:30:46 PM

DESIGNED - R.J.H.
DRAWN - R.J.H.
CHECKED - C.S.G.
DATE - MARCH 2016

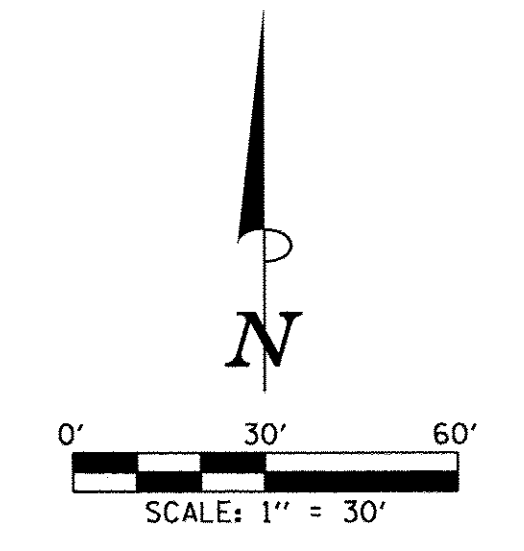
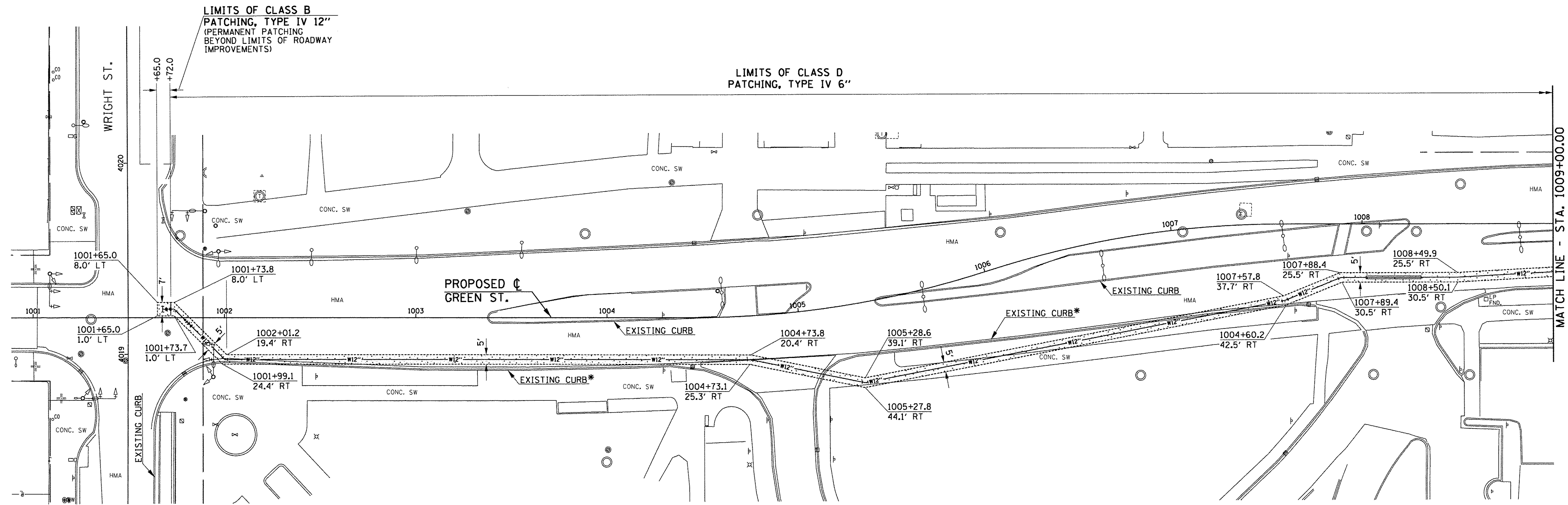
REVISED -
REVISED -
REVISED -
REVISED -

STATE OF ILLINOIS
DEPARTMENT OF TRANSPORTATION

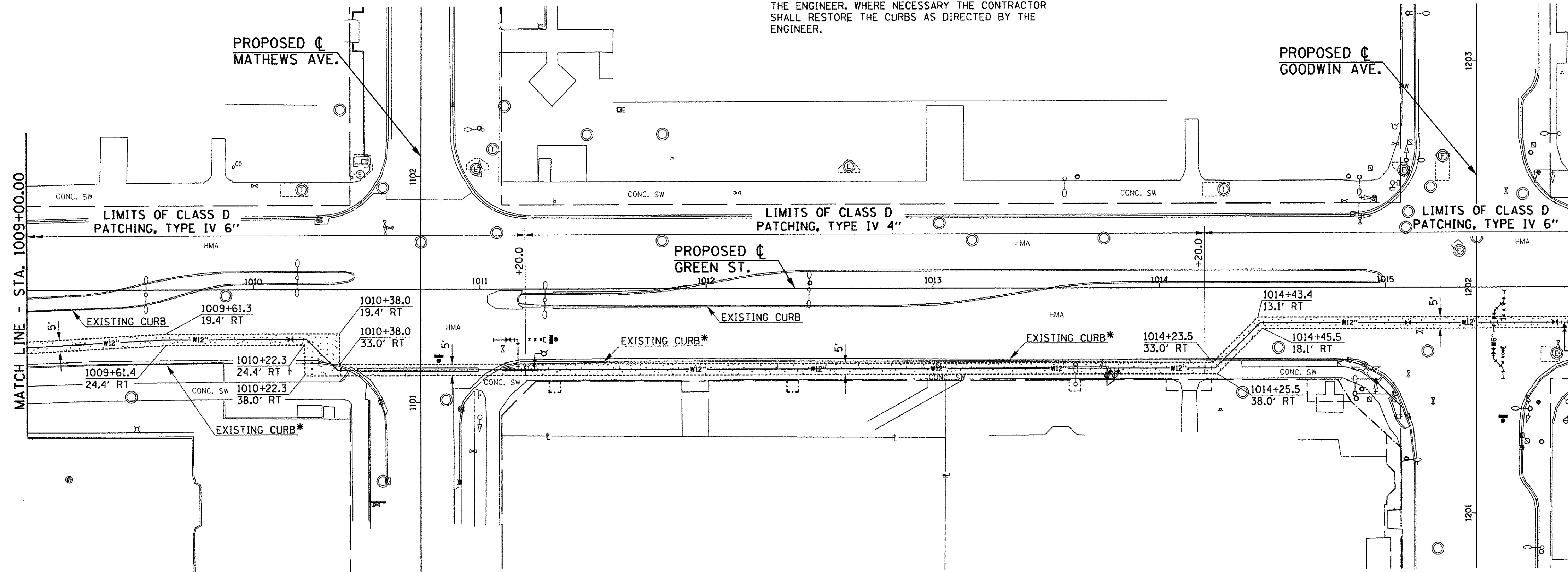
WATER MAIN PLANS - GREEN STREET
SANITARY SEWER REPLACEMENT ENLARGEMENT

SCALE : 1"=10' SHEET NO. 107 OF 236 SHEETS STA. TO STA.

F.A.U. RTE.	SECTION	COUNTY	TOTAL SHEETS	SHEET NO.
	15-00304-01-PV	CHAMPAIGN	236	107
MCORE PROJECT 1		CONTRACT NO. 91539		
JOB NO. C-95-305-16 ILLINOIS FED. AID PROJECT TIG-51810571				



*INTERIM CURB REMOVAL NOT SHOWN. THE CONTRACTOR SHALL PROTECT THE EXISTING CURB AS DIRECTED BY THE ENGINEER, WHERE NECESSARY THE CONTRACTOR SHALL RESTORE THE CURBS AS DIRECTED BY THE ENGINEER.



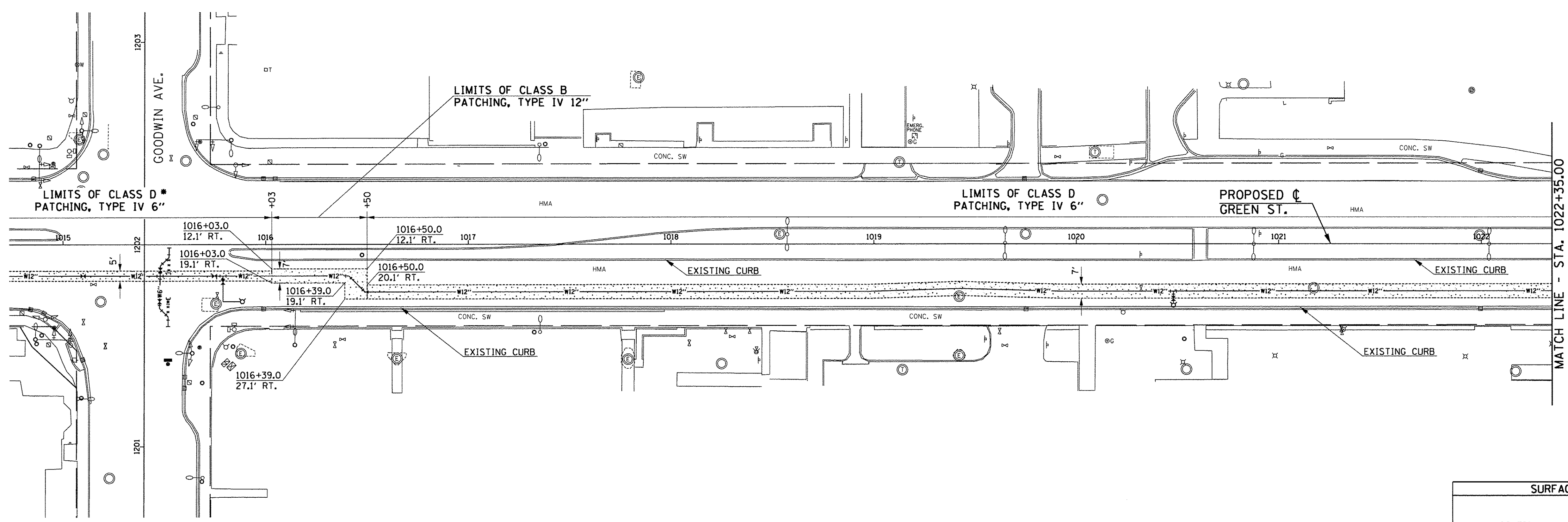
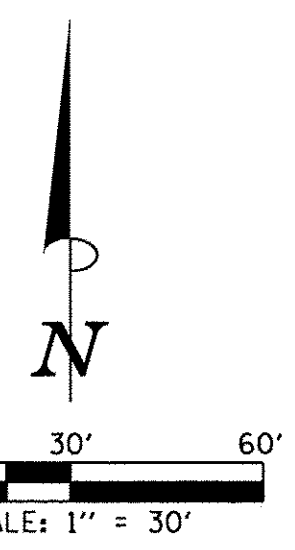
SURFACE RESTORATION SCHEDULE			
LOCATION	CLASS B PATCHES, TYPE IV, 12" (SQ YD)	CLASS D PATCHES, TYPE IV, 4" (SQ YD)	CLASS D PATCHES, TYPE IV, 6" (SQ YD)
1001+65.0 TO 1001+72.0	6		559
1001+72.0 TO 1011+20.0			
1011+20.0 TO 1014+20.0		167	
1014+20.0 TO 1016+03.0 (NOT SHOWN)			107
SHEET TOTAL	6	167	666

- NOTES:
- LOCATIONS OF WATER MAIN PAVEMENT PATCHES ARE CONSIDERED APPROXIMATE. THE CONTRACTOR SHALL FIELD VERIFY LOCATIONS, EXISTING UNDERGROUND UTILITIES AND PROPOSED IMPROVEMENTS NOT SHOWN FOR CLARITY, SEE PLANS.
 - THE CLASS B PATCHES, TYPE IV 12" ARE INTENDED AS PERMANENT PAVEMENT REPLACEMENTS. PROPOSED PATCHING THICKNESS SHALL MATCH THE EXISTING PAVEMENT THICKNESS AS DIRECTED BY THE ENGINEER.
 - THE PERMANENT PAVEMENT PATCHING SHALL EXTEND A MINIMUM OF 12" BEYOND THE TRENCH WIDTH, SEE TRENCH BACKFILL DETAIL FOR MAXIMUM TRENCH WIDTH INFORMATION WHICH PAVEMENT PATCHING LIMITS WILL ADHERE TO. NO ADDITIONAL COMPENSATION WILL BE ALLOWED BEYOND THESE LIMITS.
 - THE CLASS D PATCHES, TYPE IV 6" ARE INTENDED AS TEMPORARY PAVEMENT REPLACEMENTS WITHIN THE EXISTING ROADWAY LIMITS AND WILL BE RECONSTRUCTED WITH THE PROPOSED IMPROVEMENTS.
 - THE CLASS D PATCHES, TYPE IV 4" ARE INTENDED AS TEMPORARY PAVEMENT REPLACEMENTS WITHIN THE EXISTING SIDEWALK LIMITS AND WILL BE RECONSTRUCTED WITH THE PROPOSED IMPROVEMENTS.
 - THE CONTRACTOR WILL BE ALLOWED TO START WATER MAIN IMPROVEMENTS IN ADVANCE OF PROPOSED ROADWAY IMPROVEMENTS. SEE STAGE CONSTRUCTION PLANS AND SPECIAL PROVISIONS FOR ADDITIONAL DETAILS.
 - THE CONTRACTOR MAY BE REQUIRED TO STAGE THE PROPOSED WATER MAIN IMPROVEMENTS THAT CONFLICT WITH EXISTING CONDITIONS. ANY NECESSARY STAGING OF IMPROVEMENTS SHALL BE DONE AS DIRECTED BY THE ENGINEER AND SHALL BE INCLUDED IN THE VARIOUS ITEMS OF PROPOSED WORK AND NO ADDITIONAL COMPENSATION WILL BE ALLOWED.

SEE WATER MAIN PLANS FOR ADDITIONAL INFORMATION.

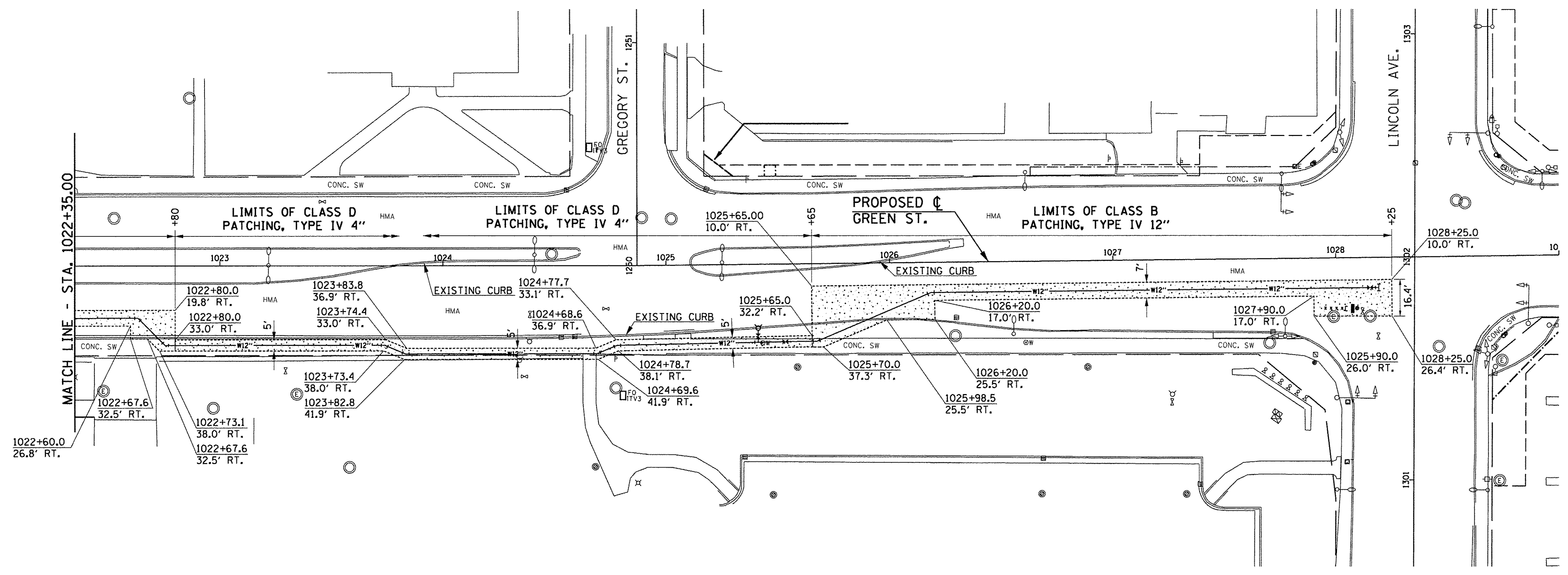
SEE TYPICAL SECTIONS, PLAN AND PROFILE SHEETS, AND STAGE CONSTRUCTION PLANS FOR ADDITIONAL DETAILS.

FILE NAME = P:\0010720_MCORE\Plans\Sheets\Project1\P1-sht-water-p\Inprof.dgn PLOT DATE = 8/25/2016 1:30:49 PM	DESIGNED - R.J.H.	REVISED - R.J.H.	STATE OF ILLINOIS DEPARTMENT OF TRANSPORTATION	WATER MAIN PLANS - GREEN STREET SURFACE RESTORATION		F.A.U. RTE.	SECTION	COUNTY	TOTAL SHEETS	SHEET NO.
	DRAWN - R.J.H.	REVISED - R.J.H.		SCALE : 1"=30' SHEET NO. 108 OF 236 SHEETS STA. TO STA.		15-00304-01-PV	CHAMPAIGN	236	108	
	CHECKED - C.S.G.	REVISED - S.M.W.			MCORE PROJECT 1 CONTRACT NO. 91539					
	DATE - MARCH 2016	REVISED - AUGUST 2016			JOB NO. C-95-305-16 ILLINOIS FED. AID PROJECT TIG-5181(057)					



*SEE PREVIOUS SHEET FOR SURFACE RESTORATION SCHEDULE

SURFACE RESTORATION SCHEDULE			
LOCATION	CLASS B PATCHES, TYPE IV, 12" (SQ YD)	CLASS D PATCHES, TYPE IV, 4" (SQ YD)	CLASS D PATCHES, TYPE IV, 6" (SQ YD)
1016+03.0 TO 1016+40.0	47		
1016+40.0 TO 1022+80.0			509
1022+80.0 TO 1025+65.0		160	
1025+65.0 TO 1028+25.0	315		
SHEET TOTAL	362	160	509



- NOTES:
1. LOCATIONS OF WATER MAIN PAVEMENT PATCHES ARE CONSIDERED APPROXIMATE. THE CONTRACTOR SHALL FIELD VERIFY LOCATIONS, EXISTING UNDERGROUND UTILITIES AND PROPOSED IMPROVEMENTS NOT SHOWN FOR CLARITY, SEE PLANS.
 2. THE CLASS B PATCHES, TYPE IV 12" ARE INTENDED AS PERMANENT PAVEMENT REPLACEMENTS. PROPOSED PATCHING THICKNESS SHALL MATCH THE EXISTING PAVEMENT THICKNESS AS DIRECTED BY THE ENGINEER.
 3. THE PERMANENT PAVEMENT PATCHING SHALL EXTEND A MINIMUM OF 12" BEYOND THE TRENCH WIDTH. SEE TRENCH BACKFILL DETAIL FOR MAXIMUM TRENCH WIDTH INFORMATION WHICH PAVEMENT PATCHING LIMITS WILL ADHERE TO. NO ADDITIONAL COMPENSATION WILL BE ALLOWED BEYOND THESE LIMITS.
 4. THE CLASS D PATCHES, TYPE IV 6" ARE INTENDED AS TEMPORARY PAVEMENT REPLACEMENTS WITHIN THE EXISTING ROADWAY LIMITS AND WILL BE RECONSTRUCTED WITH THE PROPOSED IMPROVEMENTS.
 5. THE CLASS D PATCHES, TYPE IV 4" ARE INTENDED AS TEMPORARY PAVEMENT REPLACEMENTS WITHIN THE EXISTING SIDEWALK LIMITS AND WILL BE RECONSTRUCTED WITH THE PROPOSED IMPROVEMENTS.
 6. THE CONTRACTOR WILL BE ALLOWED TO START WATER MAIN IMPROVEMENTS IN ADVANCE OF PROPOSED ROADWAY IMPROVEMENTS. SEE STAGE CONSTRUCTION PLANS AND SPECIAL PROVISIONS FOR ADDITIONAL DETAILS.
 7. THE CONTRACTOR MAY BE REQUIRED TO STAGE THE PROPOSED WATER MAIN IMPROVEMENTS THAT CONFLICT WITH EXISTING CONDITIONS. ANY NECESSARY STAGING OF IMPROVEMENTS SHALL BE DONE AS DIRECTED BY THE ENGINEER AND SHALL BE INCLUDED IN THE VARIOUS ITEMS OF PROPOSED WORK AND NO ADDITIONAL COMPENSATION WILL BE ALLOWED.

SEE WATER MAIN PLANS FOR ADDITIONAL INFORMATION.

SEE TYPICAL SECTIONS, PLAN AND PROFILE SHEETS, AND STAGE CONSTRUCTION PLANS FOR ADDITIONAL DETAILS.

FILE NAME = P:\0010720_MCORE\Plans\Sheets\Project1\P1-sht-water-plnprof.dgn
 PLOT DATE = 8/25/2016 1:30:49 PM

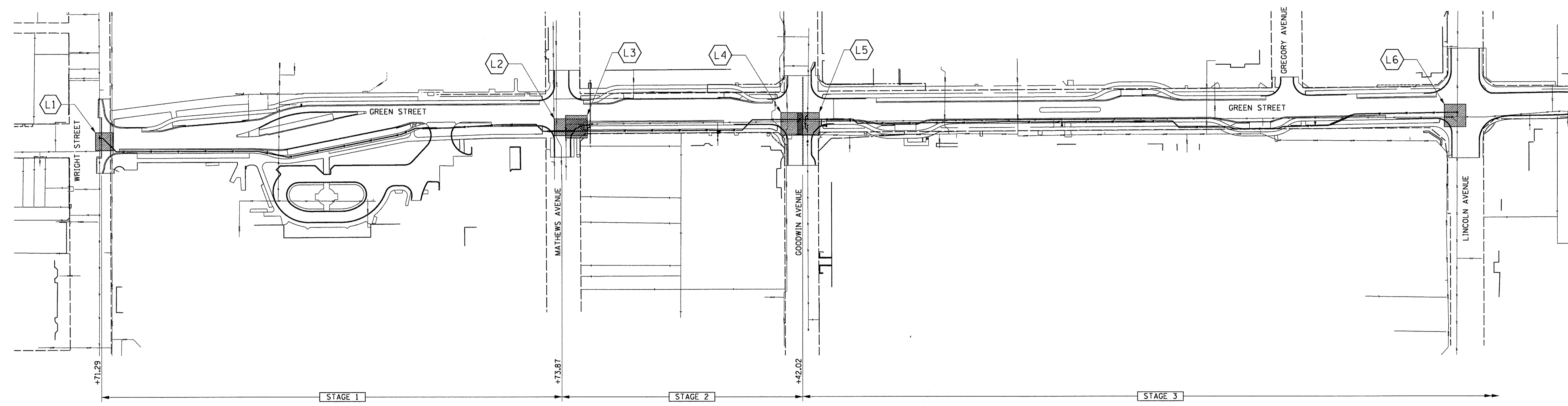
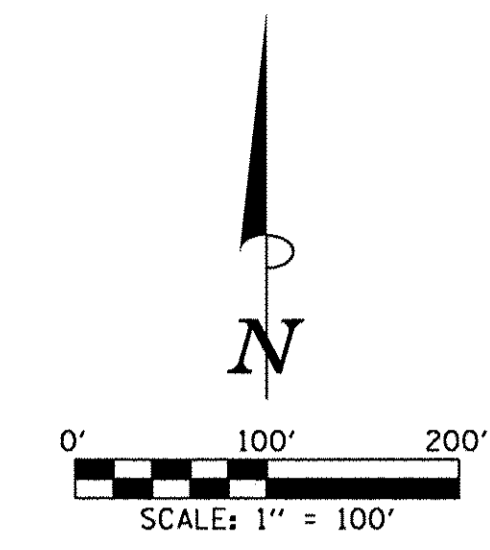
DESIGNED - R.J.H.	REVISED - R.J.H.
DRAWN - R.J.H.	REVISED - R.J.H.
CHECKED - C.S.G.	REVISED - S.M.W.
DATE - MARCH 2016	REVISED - AUGUST 2016

STATE OF ILLINOIS
 DEPARTMENT OF TRANSPORTATION

WATER MAIN PLANS - GREEN STREET
 SURFACE RESTORATION

SCALE: 1"=30'
 SHEET NO. 109 OF 236 SHEETS
 STA. TO STA.

F.A.U. RTE.	SECTION	COUNTY	TOTAL SHEETS	SHEET NO.
	15-00304-01-PV	CHAMPAIGN	236	109
MCORE PROJECT 1		CONTRACT NO. 91539		
JOB NO. C-95-305-16 ILLINOIS FED. AID PROJECT TIG-5181057J				



WATER MAIN STAGE CONSTRUCTION OVERVIEW

WATER MAIN STAGE CONSTRUCTION NOTES

1. CONTRACTOR SHALL CONTACT ILLINOIS AMERICAN WATER AT LEAST 72 HOURS BEFORE OPERATING AN EXISTING VALVE.
2. CONTRACTOR SHALL OPERATE VALVES IN SUCH A WAY SO THAT SERVICE IS MAINTAINED AT ALL TIMES EXCEPT FOR WHEN SERVICES ARE TRANSFERRED TO THE NEW WATER MAIN.
3. THE PROPOSED CONFIGURATIONS SHOWN ON THIS SHEET REPRESENT THE ANTICIPATED INSTALLATION AND ABANDONMENT PLAN. CONFIGURATIONS ARE LABELED FOR REFERENCE ONLY. THE CONTRACTOR SHALL DETERMINE THE APPROPRIATE SEQUENCE DURING CONSTRUCTION AS APPROVED BY THE ENGINEER.
4. TEMPORARY FIRE HYDRANTS, LINE STOPS, VALVES, AND REDUCERS MAY BE REUSED. THESE COSTS WILL BE CONSIDERED INCLUDED IN THE CONTRACT UNIT PRICE LUMP SUM FOR WATER MAIN TO BE ABANDONED.

- LEGEND**
- STAGING LOCATION
 - STAGE LIMITS
 - LOCATION DETAIL (SEE PLANS)

SEE TYPICAL SECTIONS, PLAN AND PROFILE SHEETS, AND STAGE CONSTRUCTION PLANS FOR ADDITIONAL DETAILS.



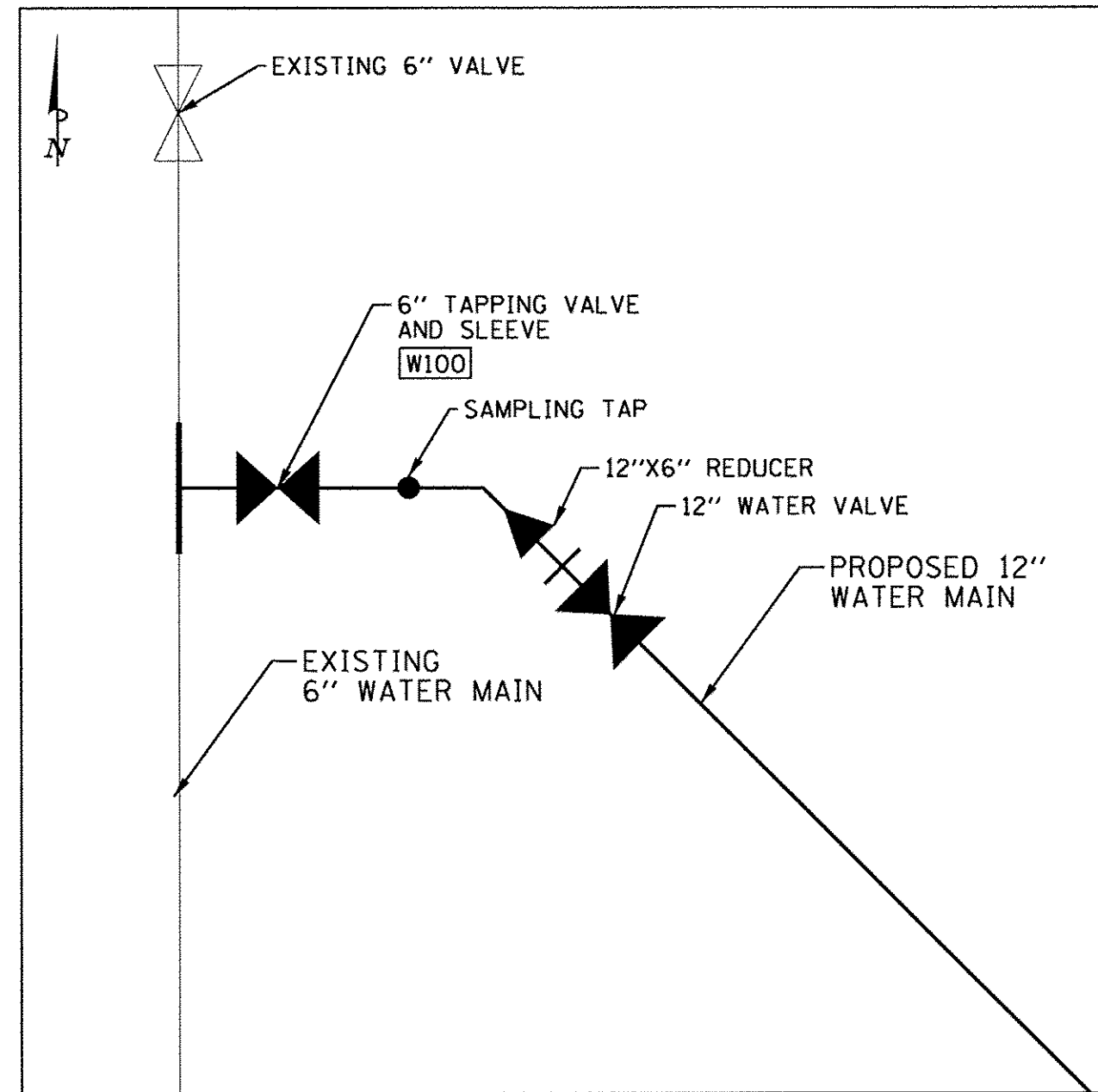
FILE NAME = P:\C0010720_MCORE\Plans\sheets\Project1\P1-sht-water-cover-details.dgn	DESIGNED - R.J.H.	REVISED - R.J.H.
PLOT DATE = 8/25/2016 1:30:51 PM	DRAWN - R.J.H.	REVISED - R.J.H.
	CHECKED - C.S.G.	REVISED - S.M.W.
	DATE - MARCH 2016	REVISED - AUGUST 2016

STATE OF ILLINOIS
DEPARTMENT OF TRANSPORTATION

**WATER MAIN PLANS
STAGE CONSTRUCTION**

SCALE : 1"=100' SHEET NO. 110 OF 236 SHEETS STA. TO STA.

F.A.U. RTE.	SECTION	COUNTY	TOTAL SHEETS	SHEET NO.
	15-00304-01-PV	CHAMPAIGN	236	110
MCORE PROJECT 1			CONTRACT NO. 91539	
JOB NO. C-95-305-16 ILLINOIS FED. AID PROJECT TIG-51810571				

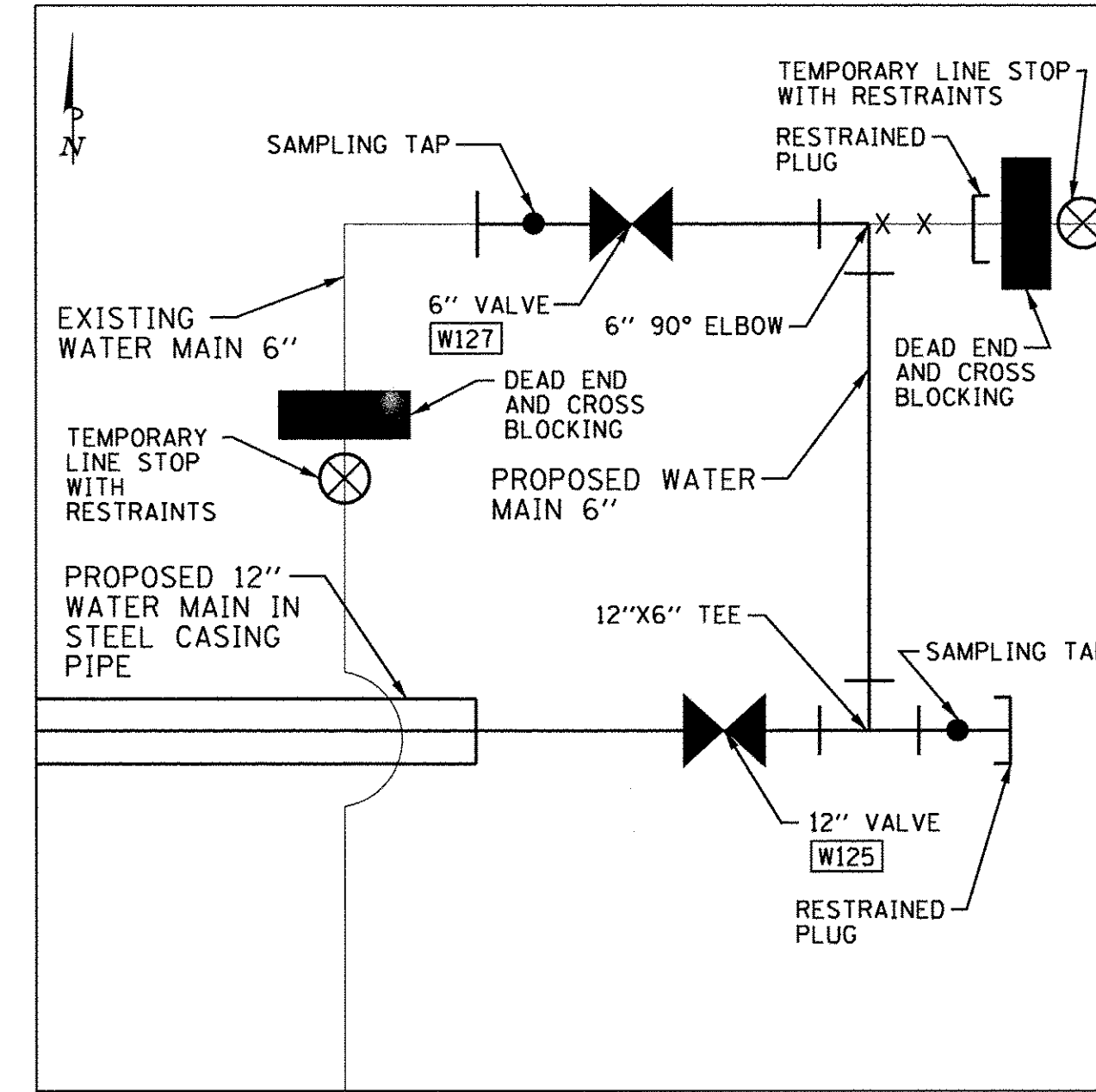


L1 LOCATION 1
WRIGHT STREET

LOCATION 1 NOTES

1. DURING STAGE 1, INSTALL NEW 12" WATER MAIN FROM 6" TAPPING VALVE AND SLEEVE, W100 TO 12" VALVE, W125 AT LOCATION 2. USE 12"x6" REDUCER, AND 6" TAPPING VALVE AND SLEEVE, W100, TO CONNECT TO EXISTING 6" WATER MAIN.
2. USE SAMPLING TAP TO DISINFECT AND TEST NEW 12" WATER MAIN.

NOTE:
THE INSTALLATION OF THE PROPOSED WATER MAIN BEYOND THE LIMITS OF STAGE CONSTRUCTION MAY BE REQUIRED. THE CONTRACTOR SHALL COORDINATE THIS WORK IN A MANNER THAT MINIMIZES LANE CLOSURES AS DIRECTED BY THE ENGINEER. NIGHT-TIME OR WEEKEND OPERATIONS MAY BE REQUIRED AND SHALL BE CONSIDERED INCLUDED IN THE VARIOUS WATER MAIN ITEMS OF WORK. NO ADDITIONAL COMPENSATION WILL BE ALLOWED.

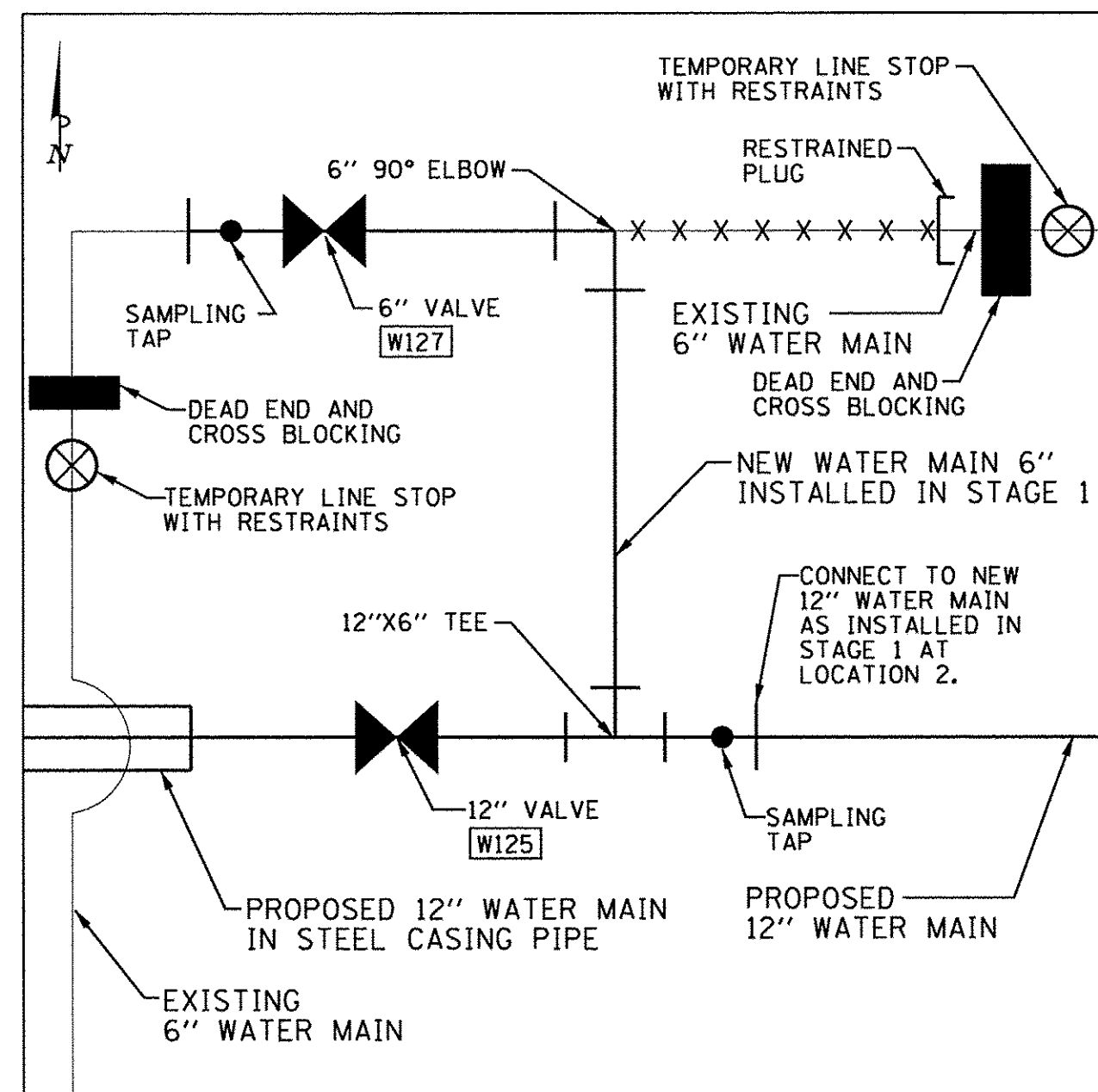


L2 LOCATION 2
MATHEWS AVENUE

LOCATION 2 NOTES

1. DURING STAGE 1, INSTALL NEW 12" WATER MAIN AND STEEL CASING PIPE FROM 6" TAPPING VALVE AND SLEEVE, W100, AT WRIGHT ST. TO 12" VALVE, W125. CAP NEW 12" WATER MAIN BEYOND 12"x6" TEE AS SHOWN.
2. INSTALL LINE STOPS ON EXISTING 6" WATER MAIN.
3. CONNECT NEW 12" WATER MAIN TO EXISTING 6" WATER MAIN USING 12"x6" TEE, NEW 6" WATER MAIN, 6" 90° ELBOW, AND 6" VALVE, W127.
4. UTILIZE SAMPLING TAPS SHOWN IN LOCATIONS 1 AND 2 FOR BOIL ORDER SAMPLE. FLUSH AND TEST NEW 12" WATER MAIN.

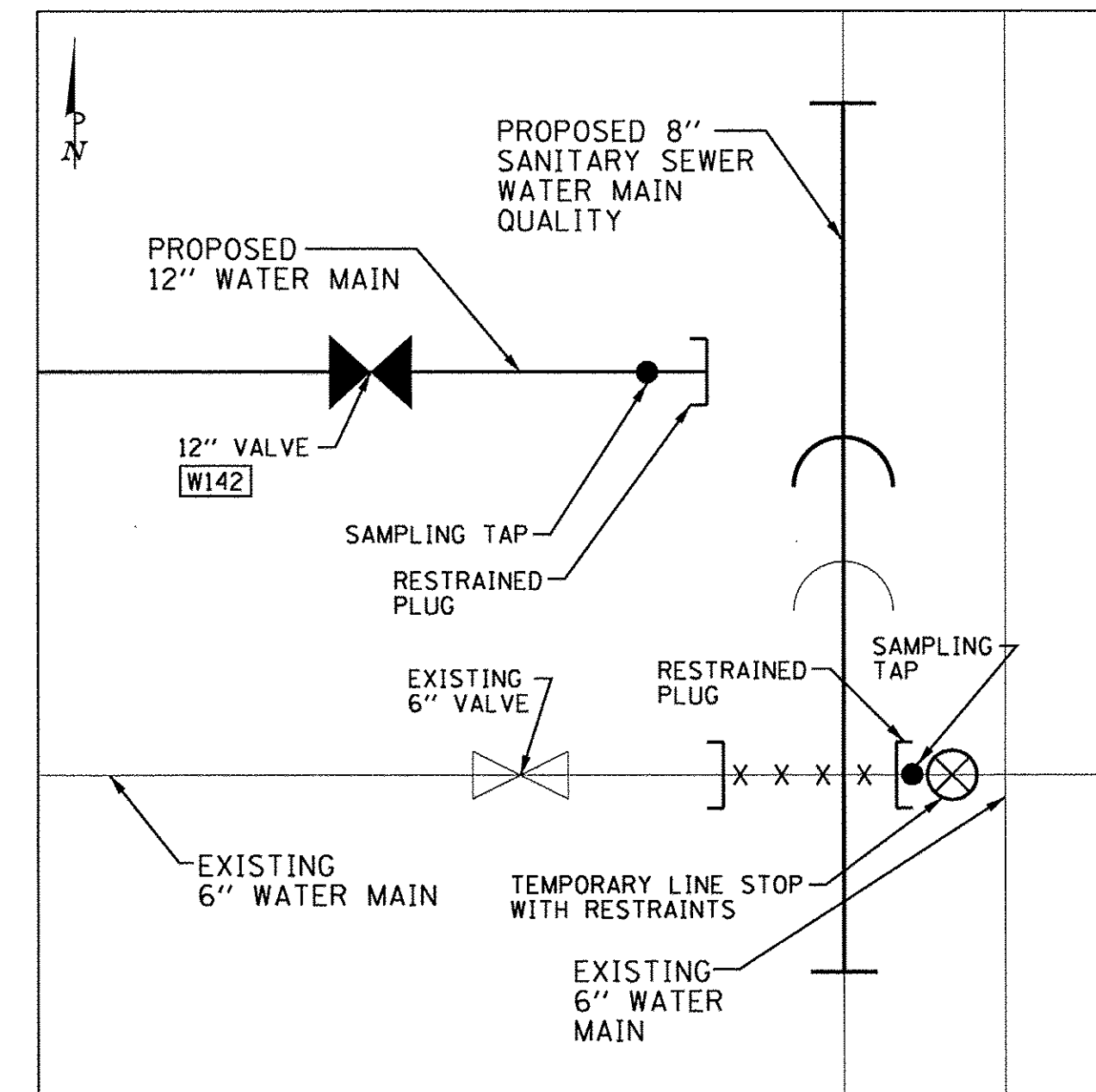
NOTE:
THE INSTALLATION OF THE PROPOSED WATER MAIN BEYOND THE LIMITS OF STAGE CONSTRUCTION MAY BE REQUIRED. THE CONTRACTOR SHALL COORDINATE THIS WORK IN A MANNER THAT MINIMIZES LANE CLOSURES AS DIRECTED BY THE ENGINEER. NIGHT-TIME OR WEEKEND OPERATIONS MAY BE REQUIRED AND SHALL BE CONSIDERED INCLUDED IN THE VARIOUS WATER MAIN ITEMS OF WORK. NO ADDITIONAL COMPENSATION WILL BE ALLOWED.



L3 LOCATION 3
MATHEWS AVENUE

LOCATION 3 NOTES

1. DURING STAGE 2, INSTALL NEW 12" WATER MAIN FROM RESTRAINED CAP AT MATHEWS AVE. TO 12" VALVE, W142, AT GOODWIN AVE. CONNECT NEW 12" WATER MAIN TO NEW 12" WATER MAIN INSTALLED IN STAGE 1.
2. UTILIZE SAMPLING TAPS SHOWN IN LOCATIONS 3 AND 4 FOR BOIL ORDER SAMPLE. FLUSH AND TEST NEW 12" WATER MAIN.
3. CONNECT SERVICE LINES TO NEW 12" WATER MAIN.

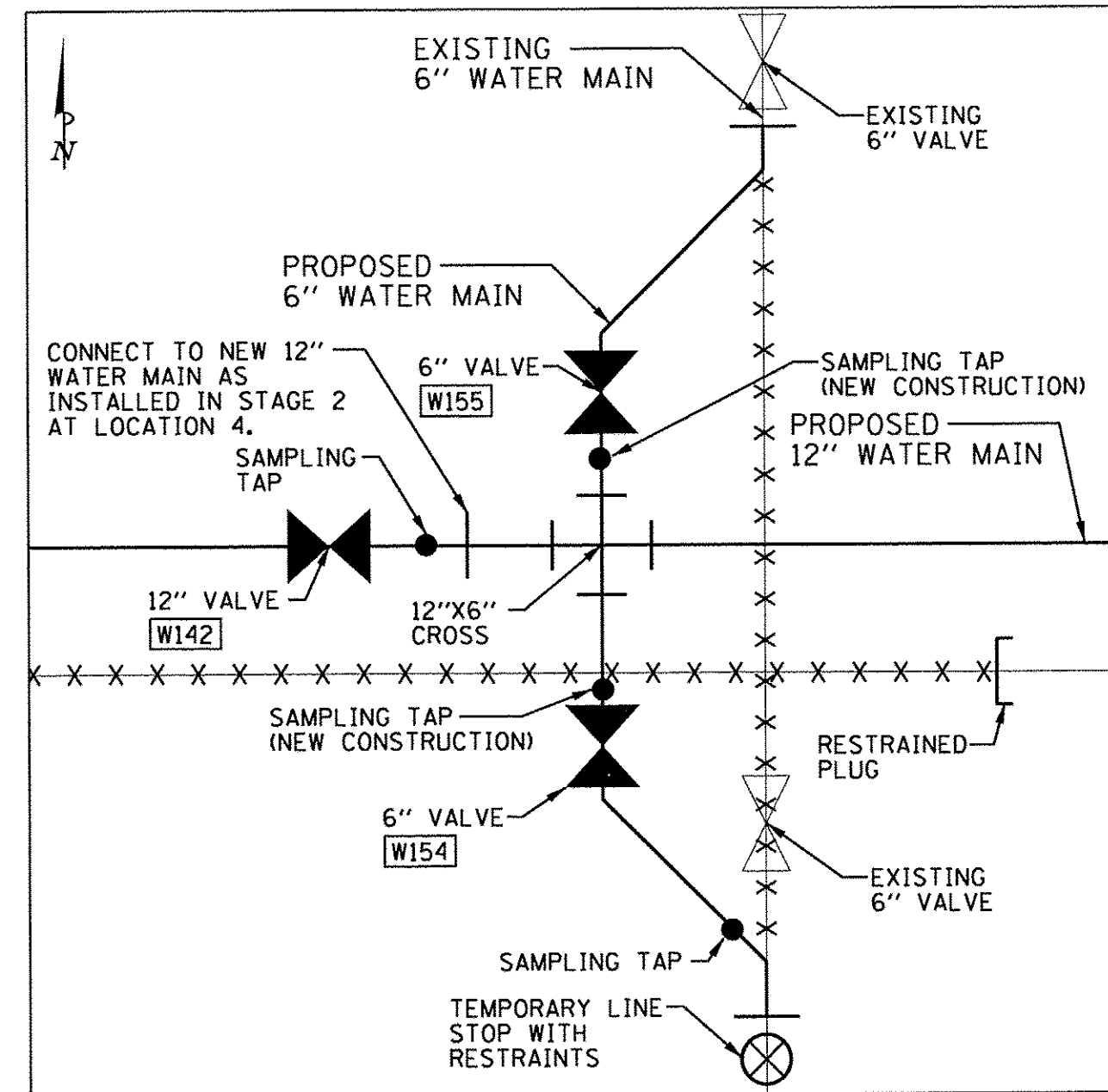


L4 LOCATION 4
GOODWIN AVENUE

LOCATION 4 NOTES

1. DURING STAGE 2, INSTALL NEW 12" WATER MAIN FROM 12" VALVE, W142, AT GOODWIN AVE. TO LOCATION 3 AT MATHEWS AVE. CAP NEW 12" WATER MAIN BEYOND THE 12" VALVE, W142 AS SHOWN.
2. INSTALL PROPOSED 8" SANITARY SEWER, WATER MAIN QUALITY.
3. UTILIZE SAMPLING TAPS SHOWN IN LOCATIONS 3 AND 4 FOR BOIL ORDER SAMPLE. FLUSH AND TEST NEW 12" WATER MAIN.
4. USE EXISTING VALVE AND LINE STOP TO CUT AND CAP EXISTING 6" WATER MAIN AT LOCATION 4 AS SHOWN.

NOTE:
THE INSTALLATION OF THE PROPOSED WATER MAIN BEYOND THE LIMITS OF STAGE CONSTRUCTION MAY BE REQUIRED. THE CONTRACTOR SHALL COORDINATE THIS WORK IN A MANNER THAT MINIMIZES LANE CLOSURES AS DIRECTED BY THE ENGINEER. NIGHT-TIME OR WEEKEND OPERATIONS MAY BE REQUIRED AND SHALL BE CONSIDERED INCLUDED IN THE VARIOUS WATER MAIN ITEMS OF WORK. NO ADDITIONAL COMPENSATION WILL BE ALLOWED.

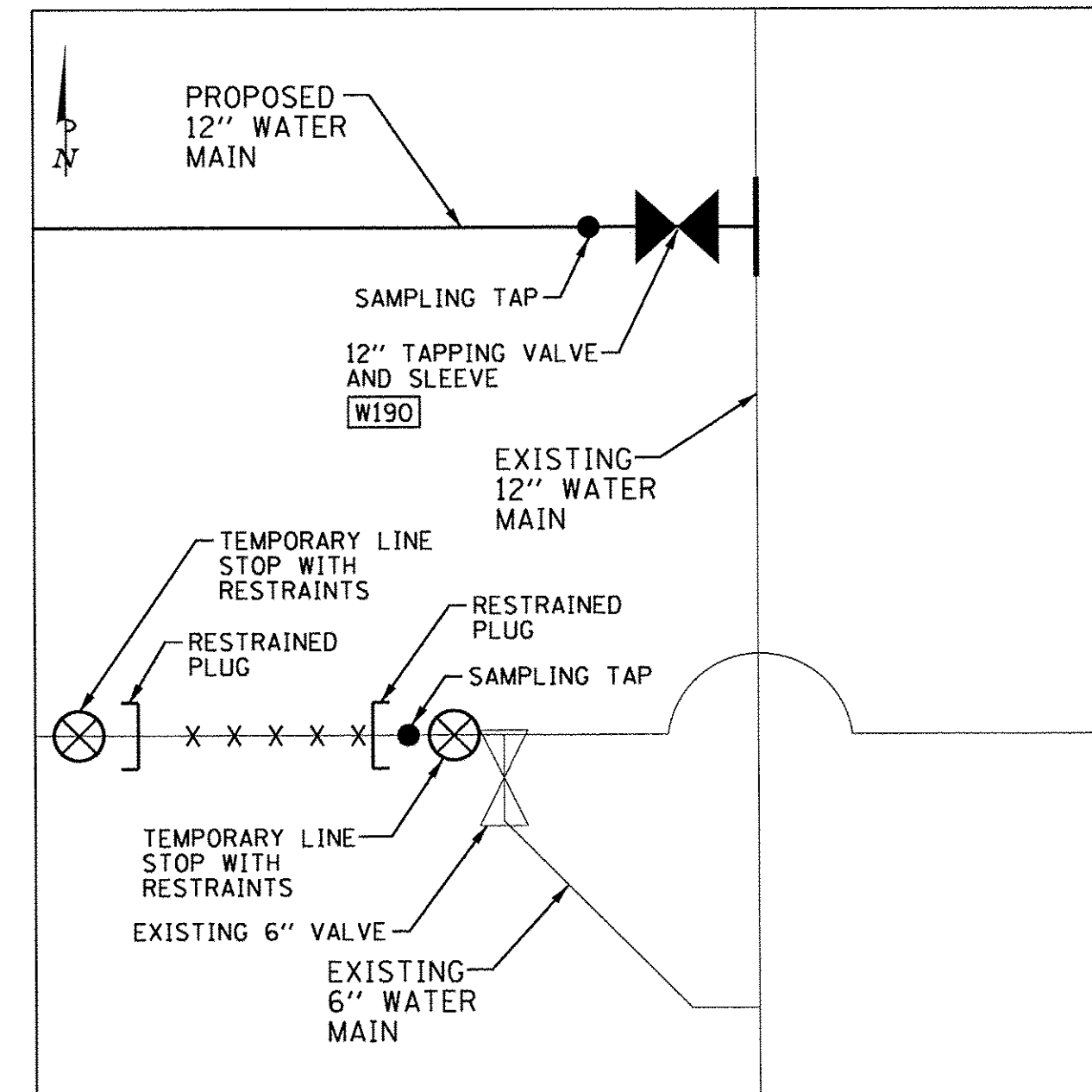


L5 LOCATION 5
GOODWIN AVENUE

LOCATION 5 NOTES

1. DURING STAGE 3, CONNECT 12"x6" CROSS, W143, TO NEW 12" WATER MAIN INSTALLED IN STAGE 2 AT LOCATION 4 (REMOVE RESTRAINED PLUG).
2. INSTALL NEW 6" WATER MAIN.
3. THE TWO NEW CONSTRUCTION SAMPLES NEED TO PASS AND WATER MAIN NEEDS TO BE IN SERVICE BEFORE MAKING TIE IN TO EXISTING WATER MAINS.
4. USE EXISTING 6" VALVE NORTH OF LOCATION 5 AND 6" LINE STOP AS SHOWN TO CONNECT NEW 6" WATER MAIN TO EXISTING 6" WATER MAIN.
5. INSTALL NEW 12" WATER MAIN FROM 12"x6" CROSS, W143, AT GOODWIN AVE. TO 12" TAPPING VALVE AND SLEEVE, W190, AT LINCOLN AVE. AS SHOWN IN LOCATION 6.
6. USE SAMPLING TAPS SHOWN IN LOCATION 5 AND SAMPLING TAP BETWEEN LOCATION 5 AND LOCATION 6 TO FLUSH AND TEST NEW 12" WATER MAIN.

NOTE:
ILLINOIS AMERICAN WATER REPRESENTATIVE SHALL BE CONTACTED FOR BOIL ORDER SAMPLE AT BLOW OFF ASSEMBLY NORTH OF THIS CONNECTION AT LEAST 48 HOURS PRIOR TO MAKING THIS CONNECTION. SEE WATER MAIN GENERAL NOTES FOR ADDITIONAL INFORMATION. CONTRACTOR SHALL COORDINATE SERVICE INTERRUPTION WITH BUILDINGS NORTH OF LOCATION 5.



L6 LOCATION 6
LINCOLN AVENUE

LOCATION 6 NOTES

1. DURING STAGE 3, INSTALL NEW 12" WATER MAIN NEAR 12" VALVE, W142, AT GOODWIN AVE. TO 12" VALVE, W190, AT LINCOLN AVE.
2. CONNECT NEW 12" WATER MAIN TO EXISTING 12" WATER MAIN AT LOCATION 3 USING 12" TAPPING VALVE AND SLEEVE, W190.
3. USE SAMPLING TAP ON NEW 12" WATER MAIN AS SHOWN IN LOCATION 6 AND SAMPLING TAP BETWEEN LOCATION 5 AND LOCATION 6 FOR FLUSHING, DISINFECTING, AND TESTING OF NEW 12" WATER MAIN.
4. INSTALL TEMPORARY LINE STOPS TO CUT AND CAP EXISTING 6" WATER MAIN AS SHOWN AFTER THE RETIREMENT OF THE EXISTING 6" WATER MAIN AT THE INTERSECTION OF GREEN ST. AND GOODWIN AVE.

FILE NAME =
P:\00010720_MCORE\Plans\Sheets\Project1\P1-sht-water-cover-details.dgn
PLOT DATE =
8/25/2016 1:30:51 PM

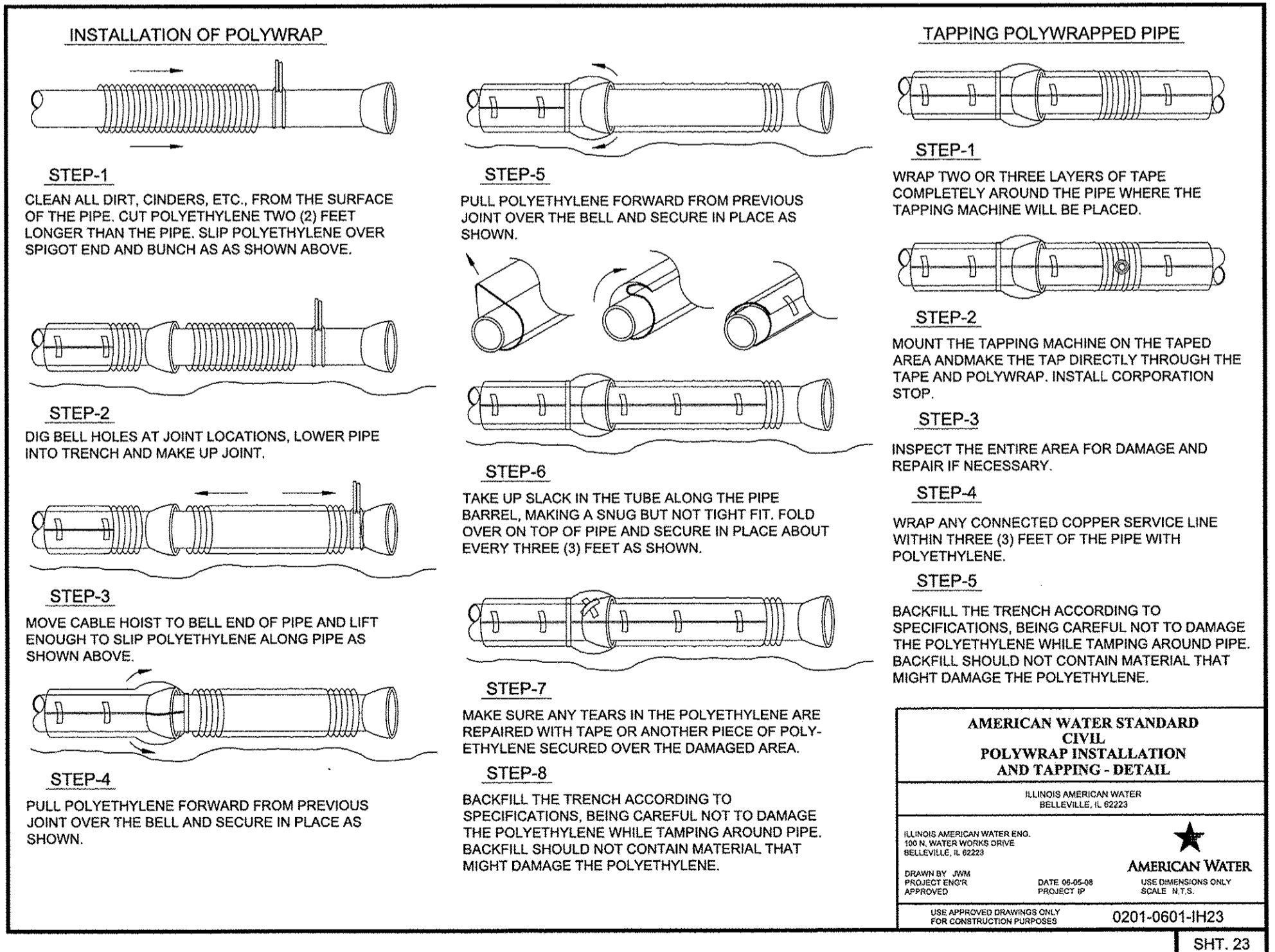
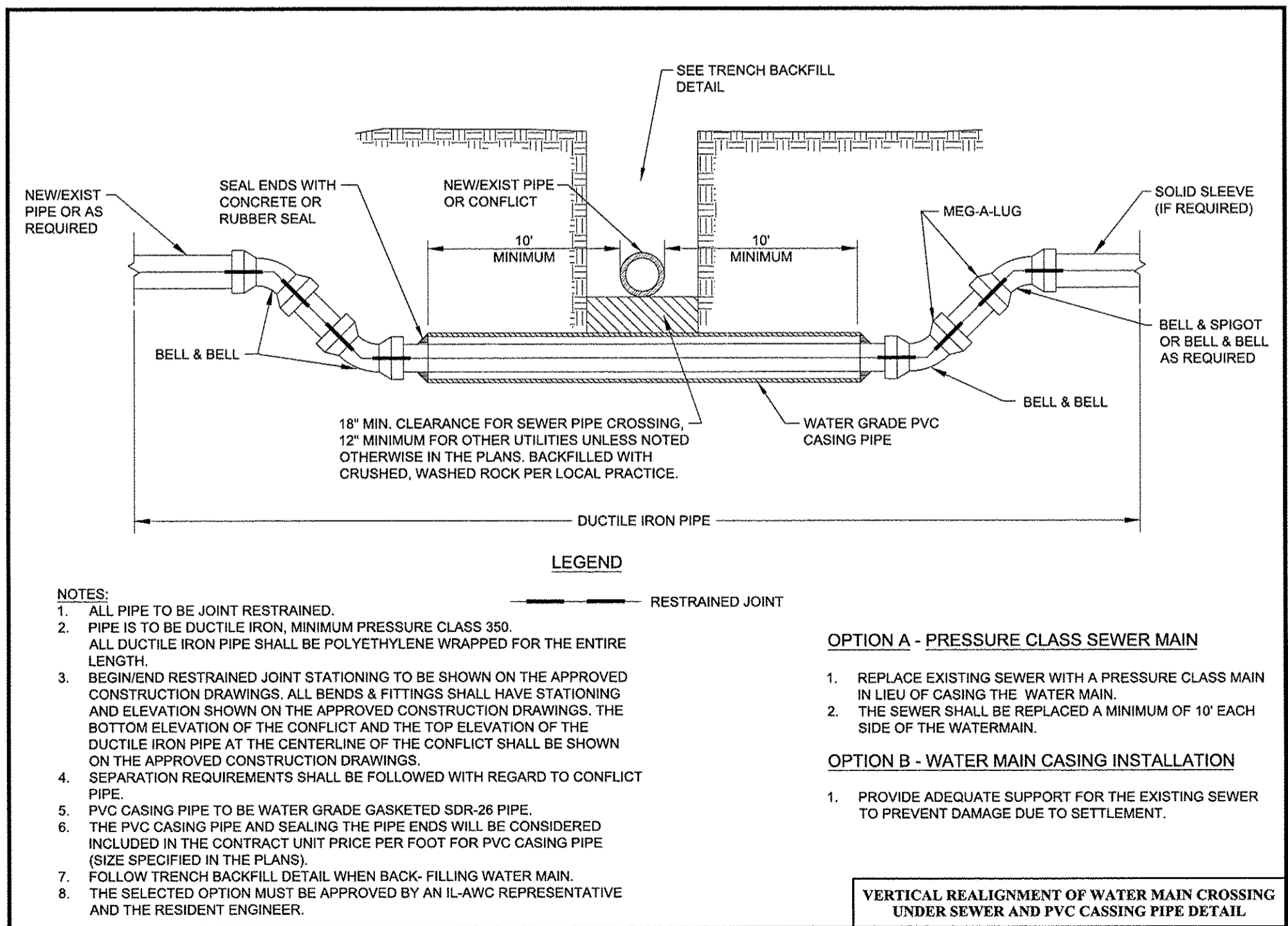
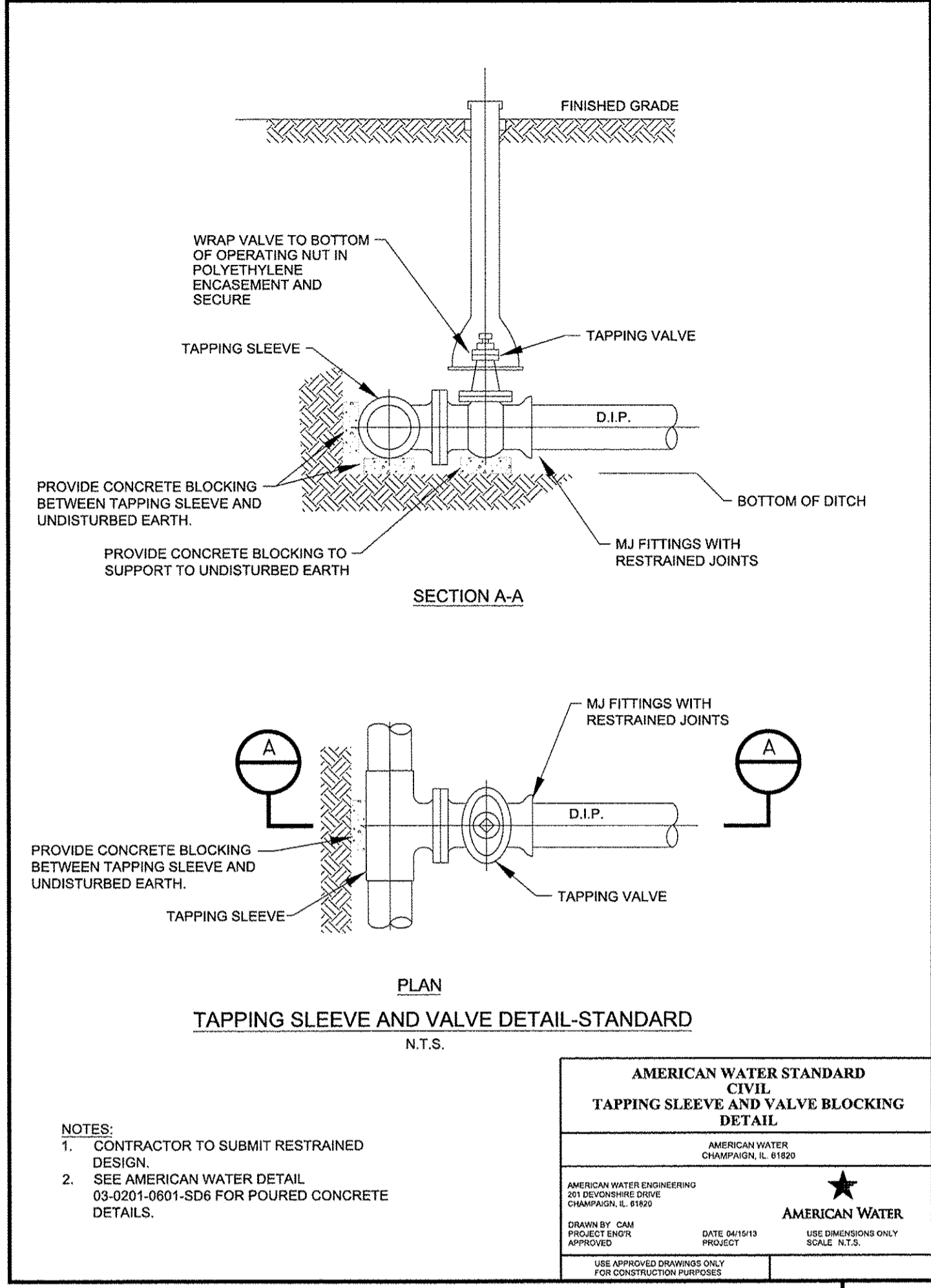
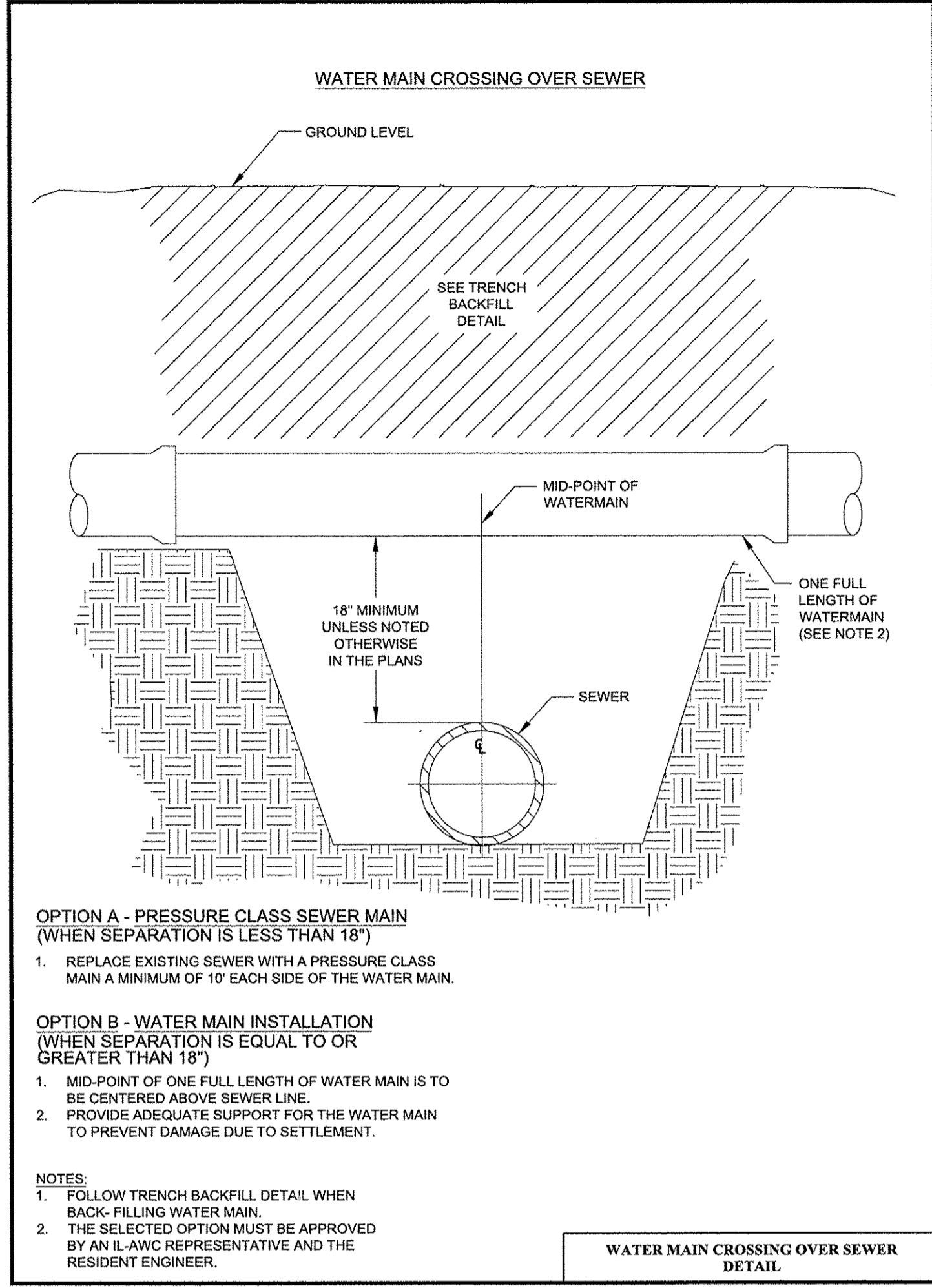
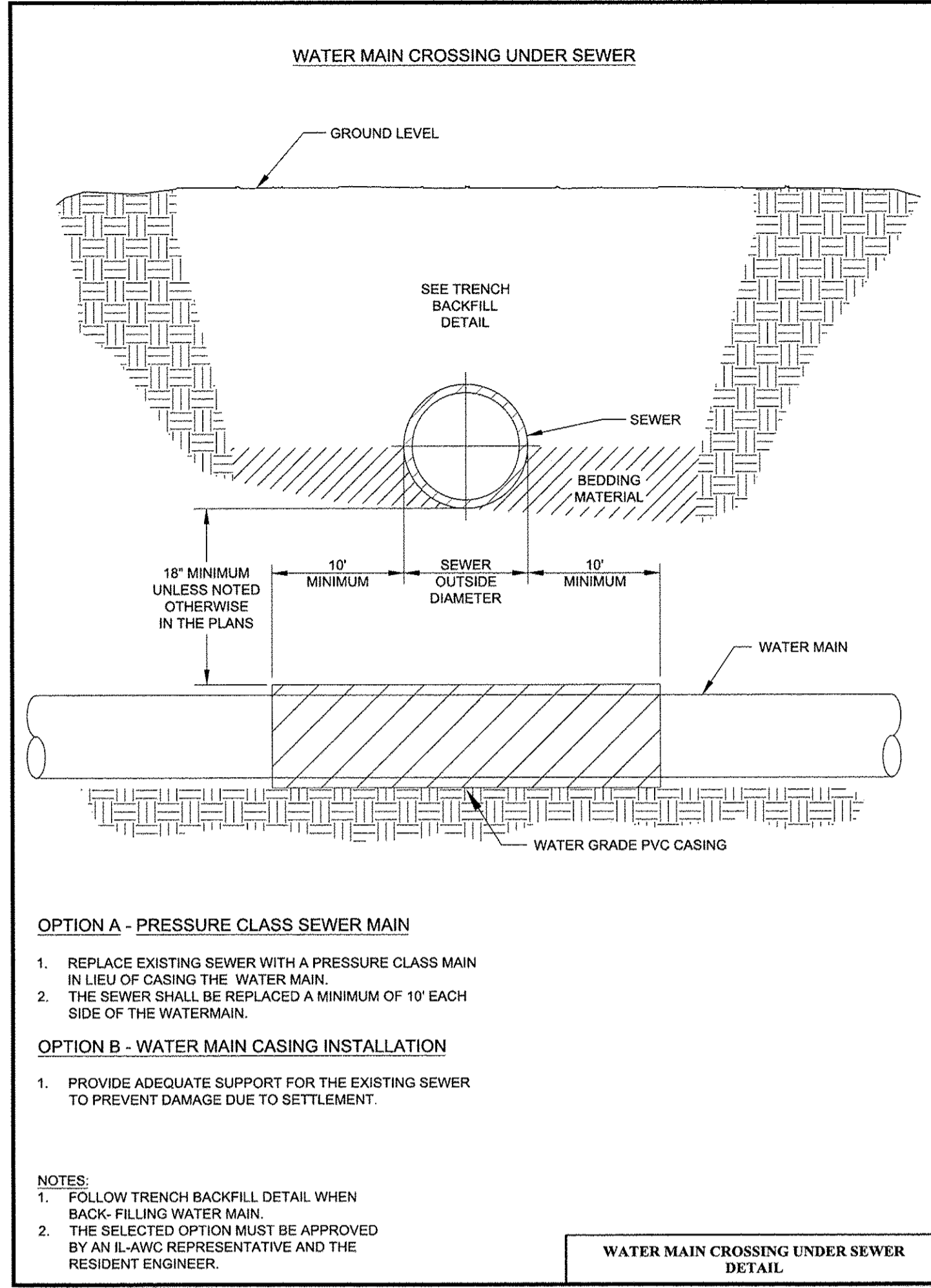
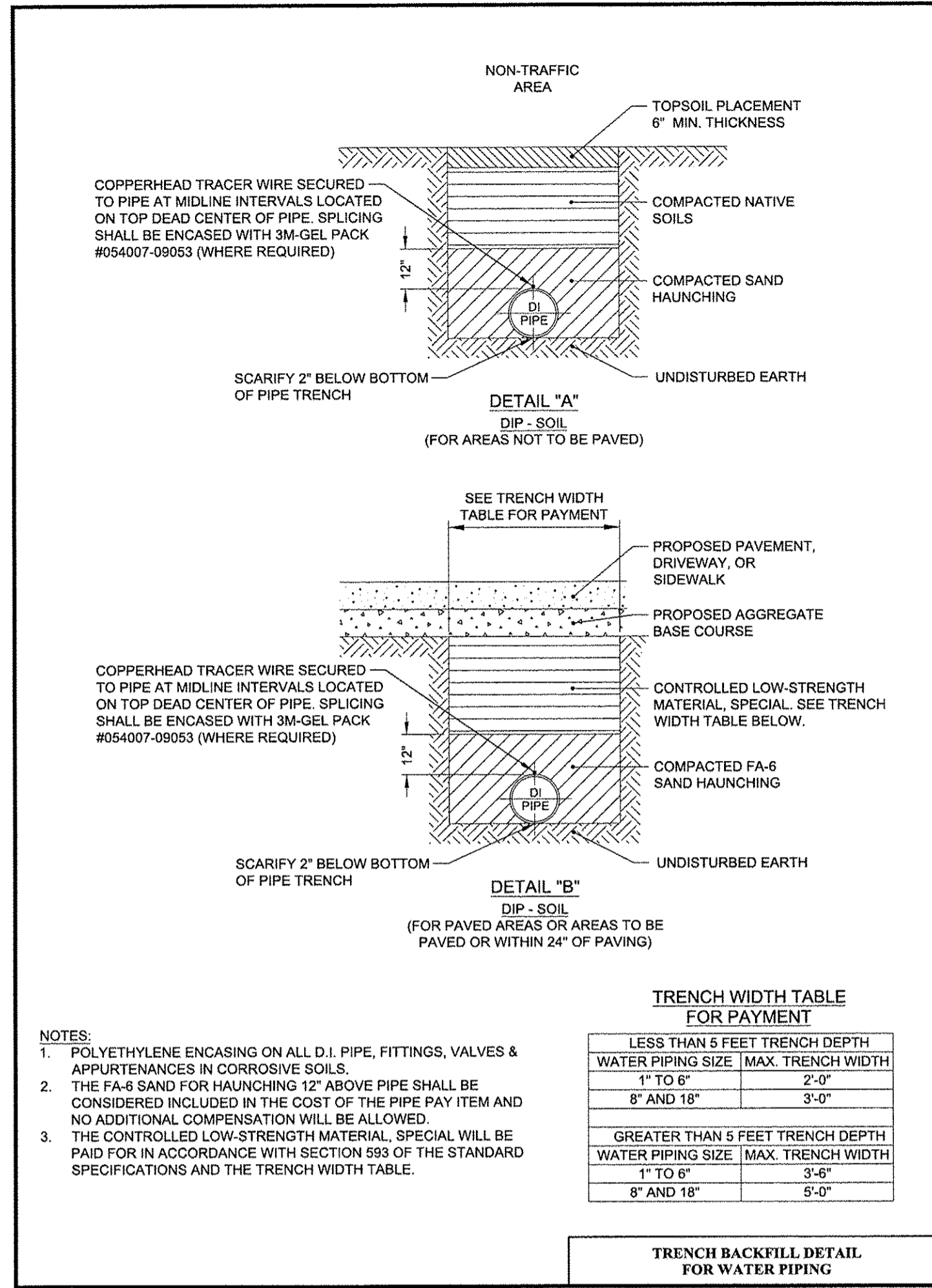
DESIGNED - R.J.H.	REVISED - R.J.H.
DRAWN - R.J.H.	REVISED - R.J.H.
CHECKED - C.S.G.	REVISED - S.M.W.
DATE - MARCH 2016	REVISED - AUGUST 2016

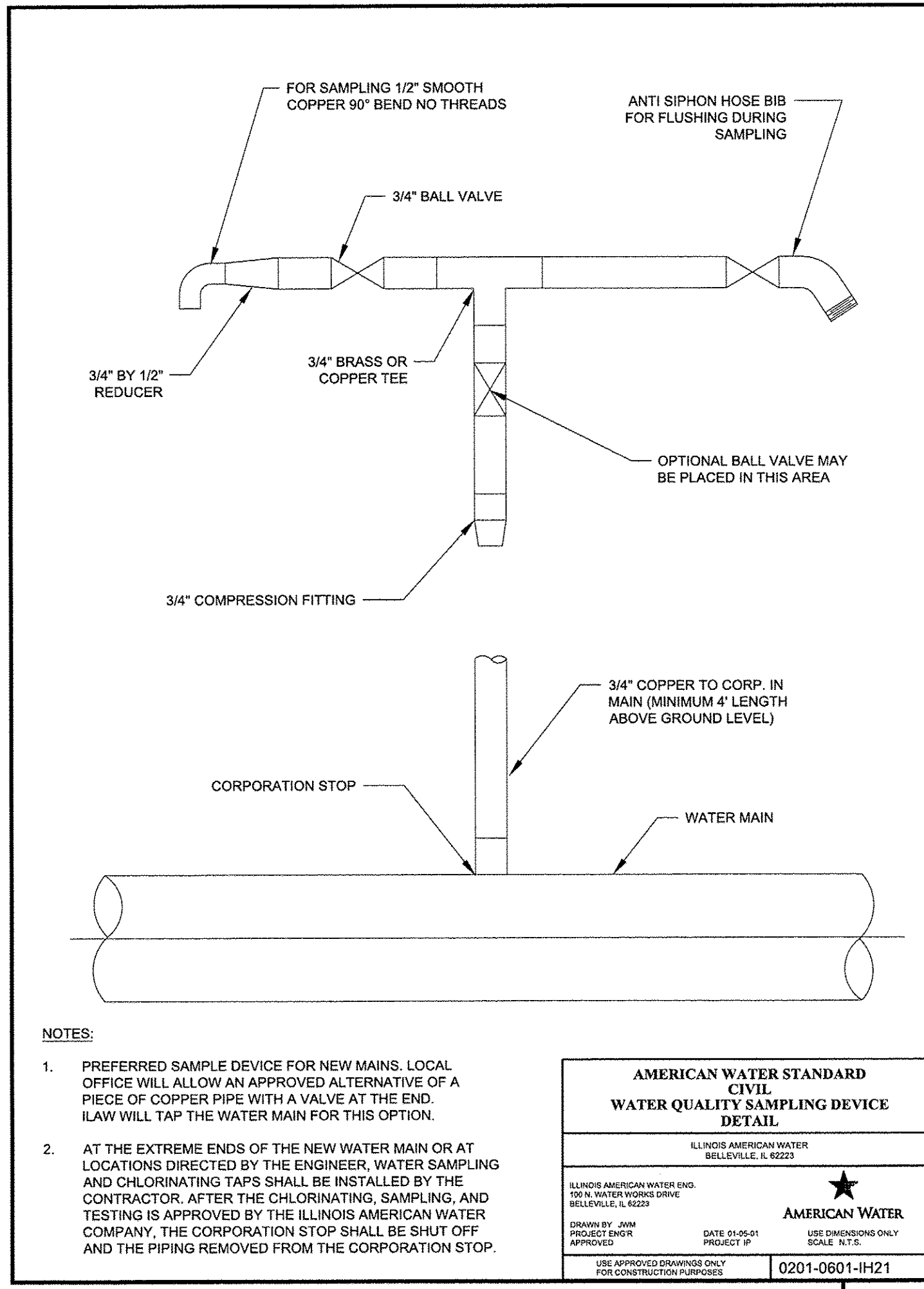
STATE OF ILLINOIS
DEPARTMENT OF TRANSPORTATION

**WATER MAIN PLANS
STAGE CONSTRUCTION**

SCALE : NONE SHEET NO. 112 OF 236 SHEETS STA. TO STA.

F.A.U. RTE.	SECTION	COUNTY	TOTAL SHEETS	SHEET NO.
	15-00304-01-PV	CHAMPAIGN	236	112
MCORE PROJECT 1			CONTRACT NO. 91539	
JOB NO. C-95-305-16 ILLINOIS FED. AID PROJECT TIG-5181(057)				





AMERICAN WATER STANDARD CIVIL WATER QUALITY SAMPLING DEVICE DETAIL

ILLINOIS AMERICAN WATER
BELLEVILLE, IL 62223

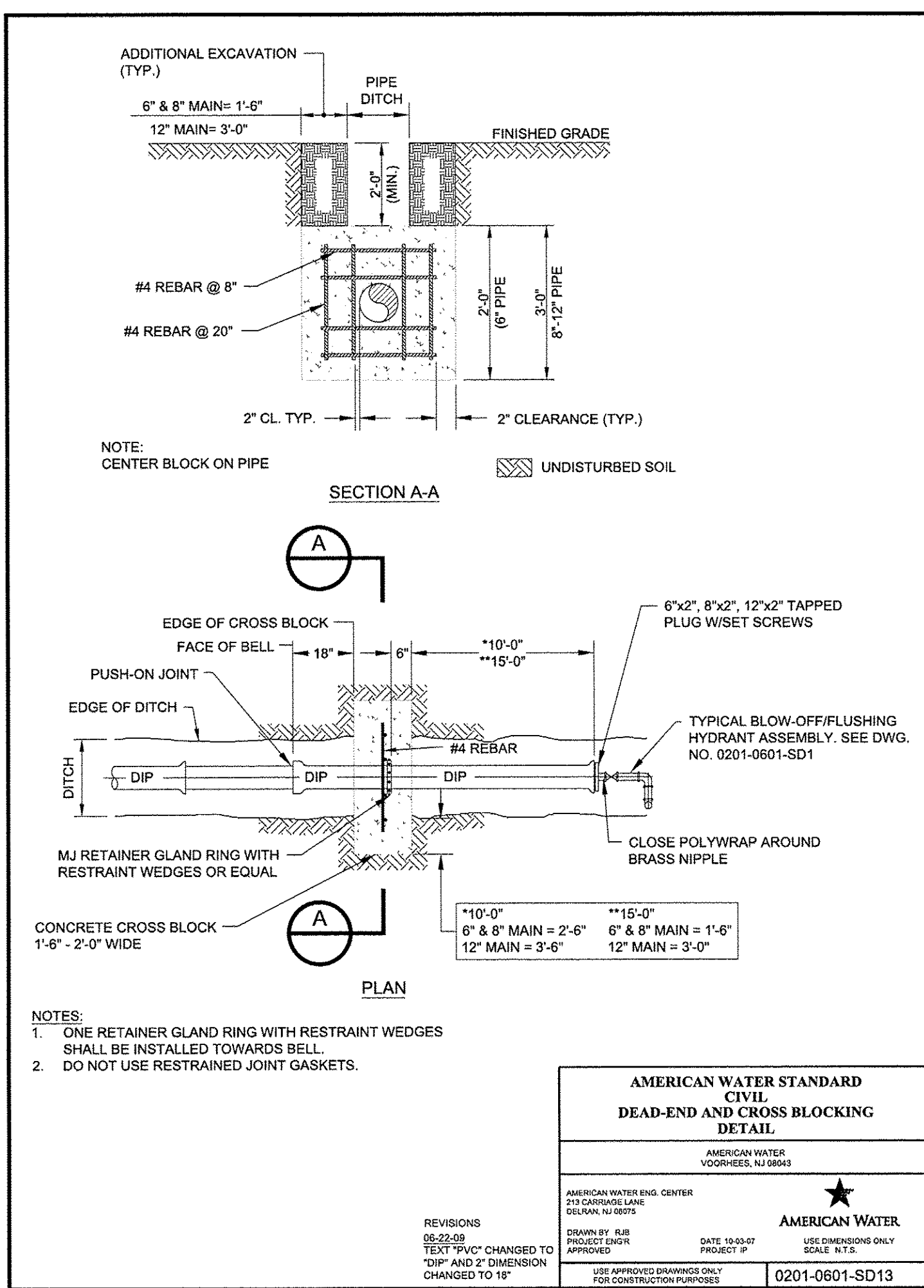
ILLINOIS AMERICAN WATER ENG.
150 N. WATER WORKS DRIVE
BELLEVILLE, IL 62223

AMERICAN WATER

DRAWN BY: JMM PROJECT ENGR APPROVED DATE: 01/05/01 PROJECT: P USE DIMENSIONS ONLY SCALE: N.T.S.

0201-0601-IH21

SHT. 21



AMERICAN WATER STANDARD CIVIL DEAD-END AND CROSS BLOCKING DETAIL

AMERICAN WATER
VOORHEES, NJ 08843

AMERICAN WATER ENG. CENTER
210 CARROLLS LANE
BELLEVILLE, NJ 08075

AMERICAN WATER

DRAWN BY: JMM PROJECT ENGR APPROVED DATE: 12/05/07 PROJECT: P USE DIMENSIONS ONLY SCALE: N.T.S.

0201-0601-SD13

SHT. 6

MAXIMUM JOINT DEFLECTION FULL-LENGTH PIPE-PUSH-ON TYPE JOINT PIPE

NOMINAL PIPE SIZE INCHES	DEFLECTION ANGLE DEGREES	MAX OFFSET - S INCHES			
		L=18 FT	L=20 FT	L=18 FT	L=20 FT
3	4	15	17	256	285
4	4	15	17	256	285
6	4	15	17	256	285
8	4	15	17	256	285
10	4	15	17	256	285
12	4	15	17	256	285
14	4	9	10	256	285
16	2.5	9	10	429	476
18	2.5	9	10	429	476
20	2.5	9	10	429	476
24	2.5	9	10	429	476

MAXIMUM JOINT DEFLECTION DUCTILE IRON PUSH ON PIPE

NOMINAL PIPE SIZE INCHES	DEFLECTION ANGLE DEGREES	MAX OFFSET - S INCHES			
		L=18 FT	L=20 FT	L=18 FT	L=20 FT
3	4	15	17	256	285
4	4	15	17	256	285
6	4	15	17	256	285
8	4	15	17	256	285
10	4	15	17	256	285
12	4	15	17	256	285
14	4	9	10	256	285
16	2.5	9	10	429	476
18	2.5	9	10	429	476
20	2.5	9	10	429	476
24	2.5	9	10	429	476

NOTES:
1. PIPE JOINT DEFLECTION ALLOWED ON DUCTILE IRON PIPE ONLY. PIPE JOINT DEFLECTION NOT ALLOWED ON PVC PIPE.

θ = DEFLECTION ANGLE
S = JOINT DEFLECTION OFFSET
L = LAYING LENGTH
R = RADIUS OF CURVE
 $R = L / (2 \tan(\theta/2))$

AMERICAN WATER STANDARD CIVIL PIPE CURVE GEOMETRY DETAIL

AMERICAN WATER
VOORHEES, NJ 08843

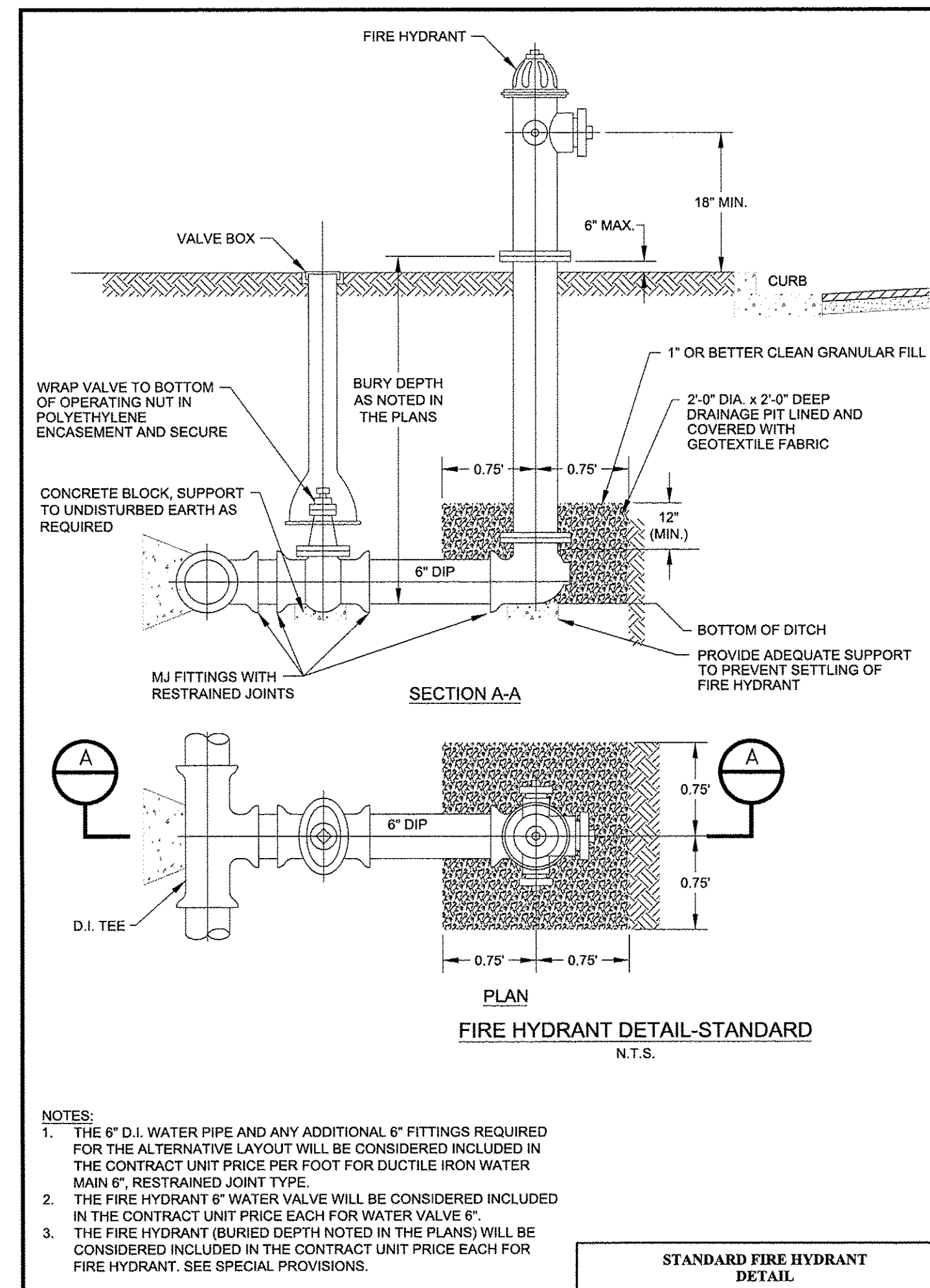
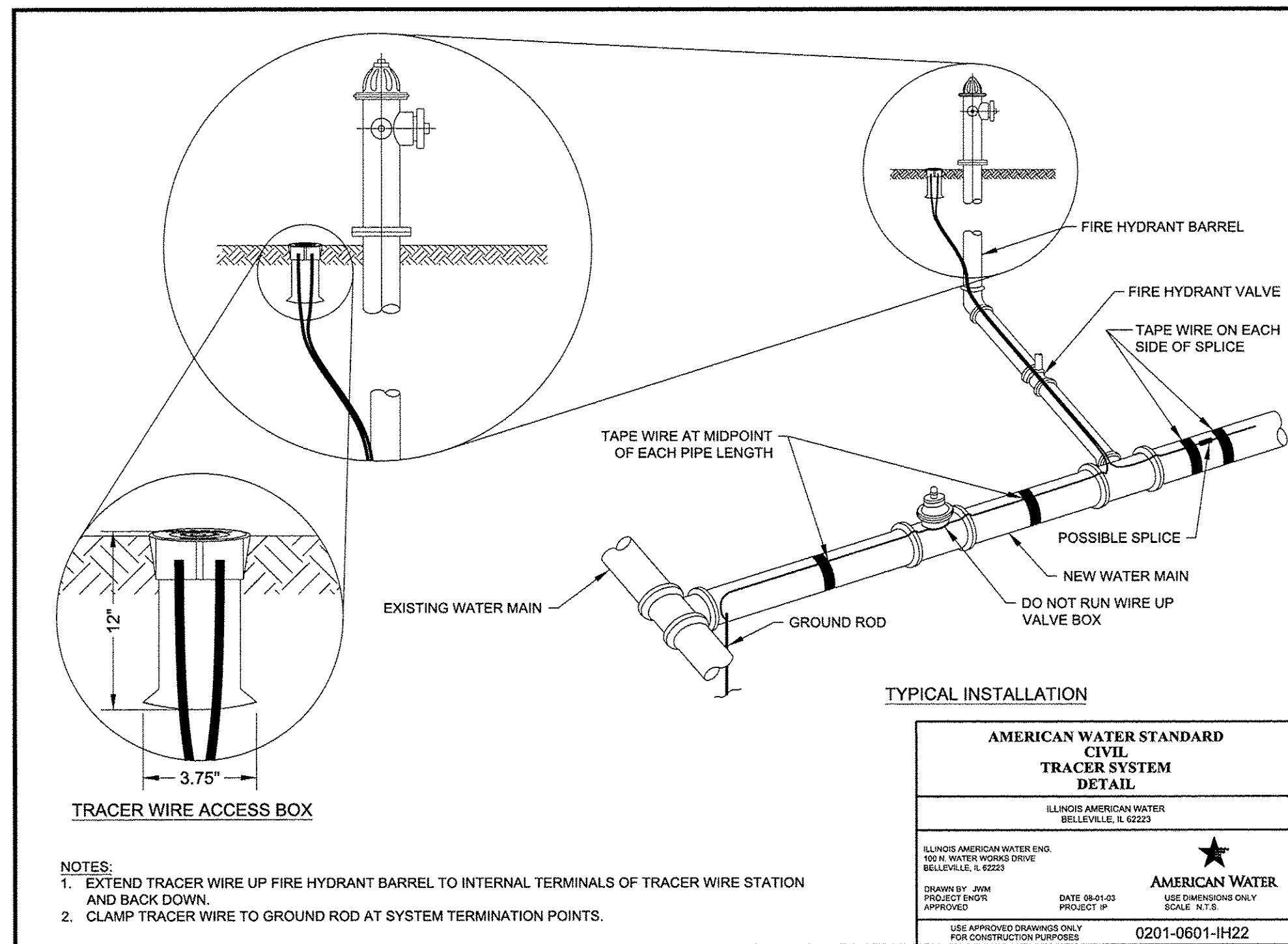
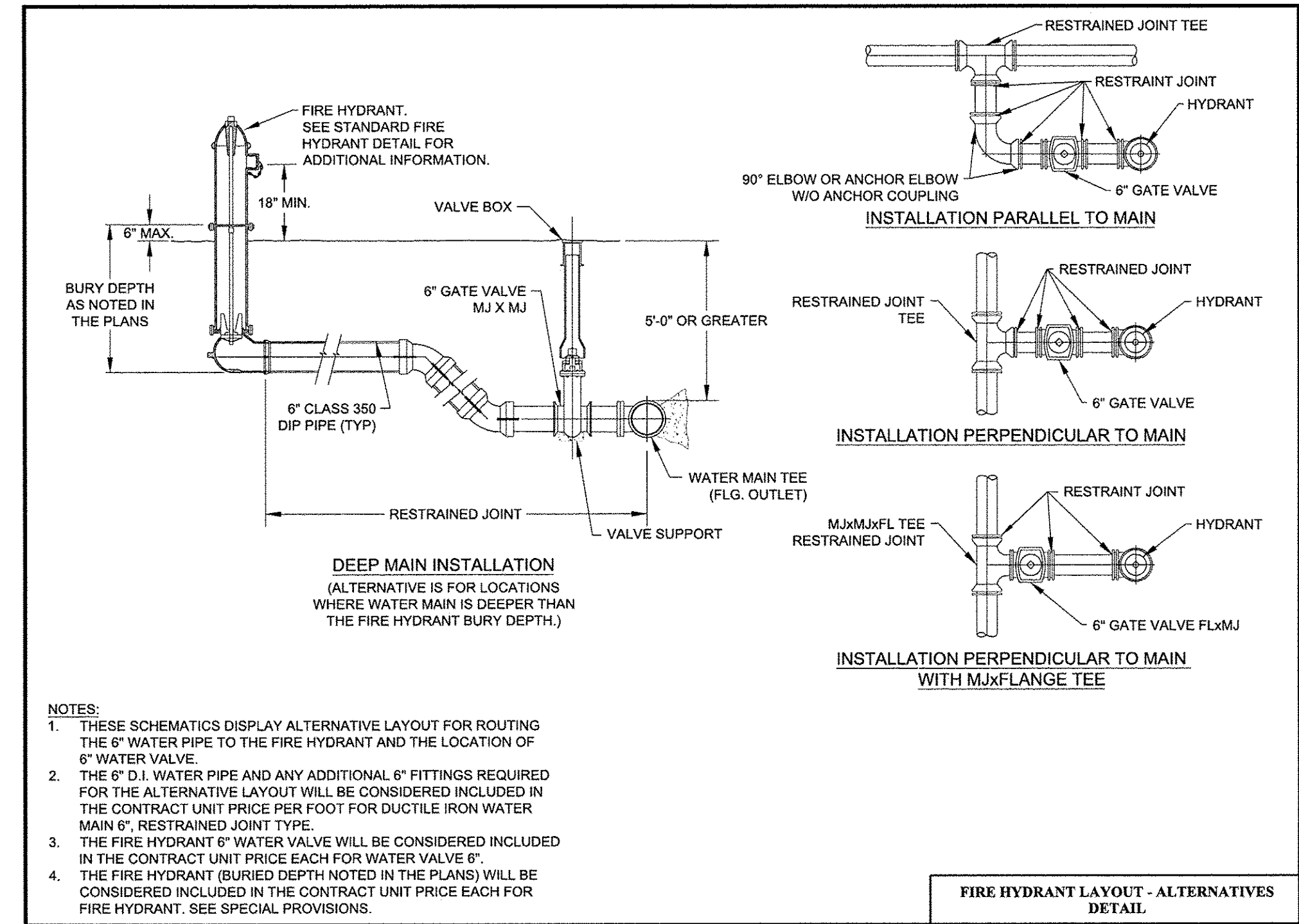
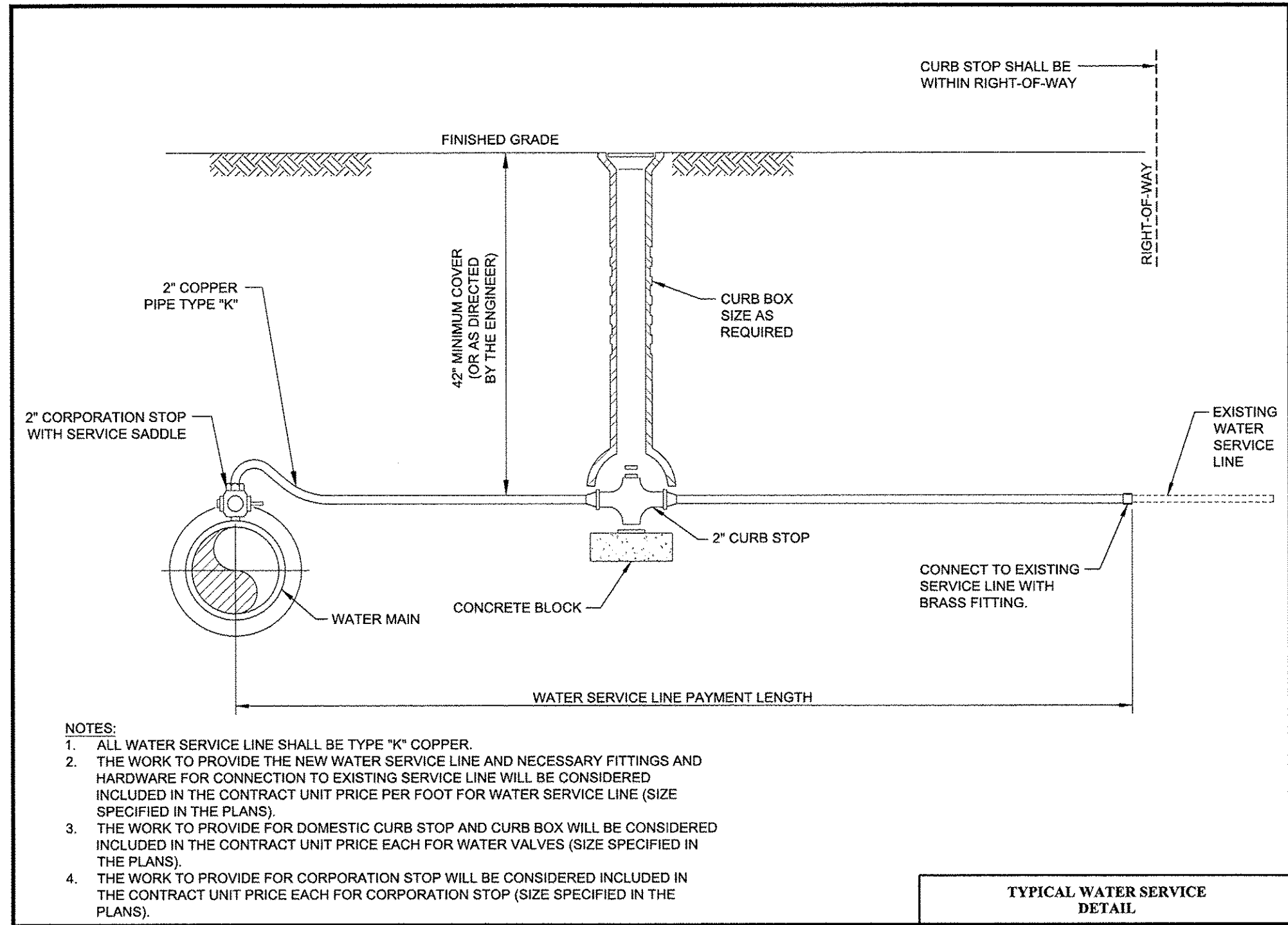
AMERICAN WATER ENGINEERING
3005 CHAMPAIGN ROAD
MOUNT LAUREL, NJ 08054

AMERICAN WATER

DRAWN BY: RJB PROJECT ENGR APPROVED DATE: 06/06/08 PROJECT: P USE DIMENSIONS ONLY SCALE: N.T.S.

0201-0601-SD32

SHT. 8



Clark Dietz
ENGINEERS

FILE NAME = P:\0010720_MCORE\Plans\Sheets\Project1\P1-sht-water-cover-details.dgn
PLOT DATE = 8/25/2016 1:30:54 PM

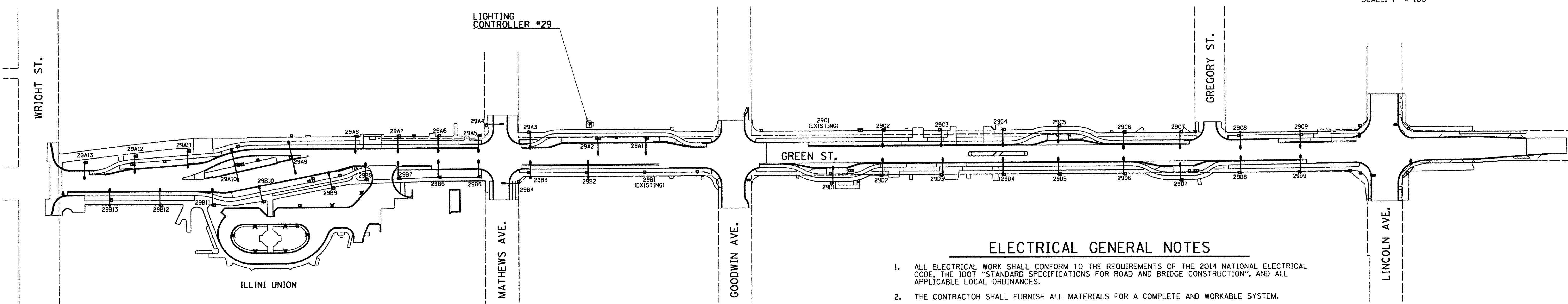
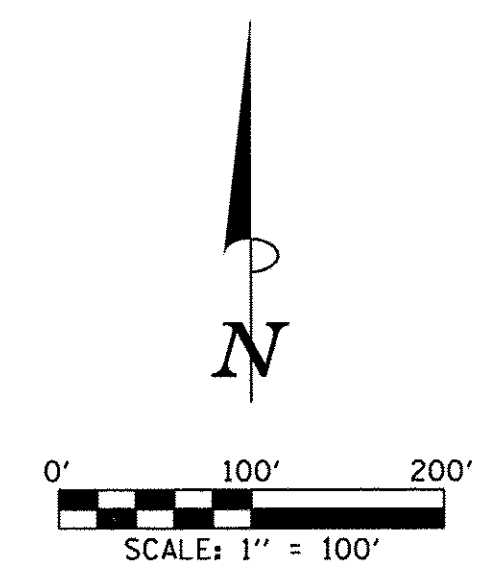
DESIGNED - R.J.H.	REVISED -
DRAWN - R.J.H.	REVISED -
CHECKED - C.S.G.	REVISED -
DATE - MARCH 2016	REVISED -

STATE OF ILLINOIS
DEPARTMENT OF TRANSPORTATION

WATER MAIN PLANS DETAILS

SCALE: NONE SHEET NO. 115 OF 236 SHEETS STA. TO STA.

F.A.U. RTE.	SECTION	COUNTY	TOTAL SHEETS	SHEET NO.
	15-00304-01-PV	CHAMPAIGN	236	115
MCORE PROJECT 1		CONTRACT NO. 91539		
JOB NO. C-95-305-16 ILLINOIS FED. AID PROJECT T16-51810577				



ELECTRICAL GENERAL NOTES

1. ALL ELECTRICAL WORK SHALL CONFORM TO THE REQUIREMENTS OF THE 2014 NATIONAL ELECTRICAL CODE, THE IDOT "STANDARD SPECIFICATIONS FOR ROAD AND BRIDGE CONSTRUCTION", AND ALL APPLICABLE LOCAL ORDINANCES.
2. THE CONTRACTOR SHALL FURNISH ALL MATERIALS FOR A COMPLETE AND WORKABLE SYSTEM.
3. THE CONTRACTOR SHALL BE RESPONSIBLE FOR OBTAINING ALL REQUIRED PERMITS AND FOR PROVIDING ALL SUPERVISION, LABOR, MATERIAL AND TOOLS FOR THE PROJECT. CONTRACTOR SHALL OBTAIN CITY OF URBANA ELECTRICIAN LICENSE PRIOR TO START OF WORK. CONTRACTOR SHALL COORDINATE INSPECTION OF WORK WITH THE CITY OF URBANA.
4. ALL LOCATIONS AND DIMENSIONS SHOWN ARE APPROXIMATE. THE CONTRACTOR SHALL FIELD VERIFY ALL EQUIPMENT LOCATIONS AND EQUIPMENT DIMENSIONS.
5. ALL CONDUITS WITH WIRING SHALL BE PROVIDED WITH AN INSULATED COPPER GROUNDING CONDUCTOR SIZED AS NOTED ON PLANS AND IN ACCORDANCE WITH THE 2014 NATIONAL ELECTRICAL CODE.
6. ALL GROUNDING CONDUCTORS SHALL BE BONDED TOGETHER IN ALL HANDHOLES AND JUNCTION BOXES. (SEE DETAILS)
7. ALL SERVICE LATERAL CONDUITS SHALL BE SCHEDULE 40 PVC EXCEPT ALL ELBOWS AND VERTICAL RISERS SHALL BE RIGID GALVANIZED STEEL. ALL ELBOWS SHALL BE LONG RADIUS TYPE. CONTRACTOR SHALL VERIFY AND COMPLY WITH ALL UNIVERSITY OF ILLINOIS AND PRAIRIELAND ENERGY REQUIREMENTS FOR THE SERVICE INSTALLATIONS.
8. CONDUIT ROUTING SHOWN IS SCHEMATIC ONLY. CONTRACTOR SHALL COORDINATE EXACT ROUTING AND INSTALLATION WITH ALL OTHER SITE WORK BEING PERFORMED. COORDINATE ALL POLE LOCATIONS WITH ENGINEER IN THE FIELD.
9. PROVIDE PULLSTRING IN ALL CONDUITS, INCLUDING THOSE CONDUITS WITH CONDUCTORS INSTALLED. THE PULL STRING SHALL BE INCLUDED IN THE COST OF THE CONDUITS AND NO ADDITIONAL COMPENSATION WILL BE ALLOWED.
10. THE CONTRACTOR SHALL TAG ALL ELECTRICAL CONDUCTORS (PHASE CONDUCTORS, NEUTRALS, AND GROUNDS) WITH PERMANENT TAGS. EACH CONDUCTOR SHALL BE TAGGED IN ALL CONCRETE HANDHOLES, JUNCTION BOXES, AND POLE HANDHOLES. THE TAG SHALL INDICATE THE LIGHTING CONTROLLER AND CIRCUIT NUMBER FROM WHICH THE CONDUCTORS ORIGINATE.
11. ALL CONDUITS SHALL BE 30" BELOW FINAL GRADE UNLESS OTHERWISE DIRECTED BY THE ENGINEER. CONTRACTOR IS RESPONSIBLE FOR REPAIR TO ALL UNDERGROUND UTILITIES DAMAGED DURING INSTALLATION OF ROADWAY LIGHTING AND FEEDER SYSTEMS.
12. SERVICE GROUND RODS SHALL BE 3/4" DIAMETER x 10'-0" LONG COPPER CLAD STEEL. GROUND RODS AT POLES SHALL BE 3/8" DIAMETER x 10'-0" LONG. GROUNDING ELECTRODE CONDUCTORS SHALL BE #4 SOLID COPPER AND SHALL BE CONNECTED WITH HYDRAULIC CRIMP TYPE CONNECTIONS TO GROUNDING ELECTRODE. GROUND ROD SHALL BE INSTALLED AT LIGHTING CONTROLLER, HANDHOLES AND JUNCTION BOXES.
13. POLE WIRING WILL NOT BE PAID FOR SEPARATELY BUT SHALL BE INCLUDED WITH THE LUMINAIRE PER ARTICLE 821.03 OF THE STANDARD SPECIFICATIONS.
14. WHERE EXISTING CONDUCTORS ARE TO BE ABANDONED IN PLACE, THE CONDUCTORS SHALL BE DISCONNECTED AND ISOLATED FROM EXISTING CONDUCTORS WHICH ARE TO REMAIN ENERGIZED.
15. THE CONTRACTOR SHALL USE CARE IN CONSTRUCTING THE LIGHT POLES THAT ARE NEAR TRENCH EXCAVATIONS FOR STORM SEWERS AND OTHER UTILITIES. THE CONTROLLED LOW-STRENGTH MATERIAL SHALL BE BLOCKED OUT AT THE CONCRETE FOUNDATION LOCATIONS TO ALLOW FOR THEIR LATER CONSTRUCTION AS DIRECTED BY THE ENGINEER.
16. THE EXISTING LIGHTING UNITS (LUMINAIRES AND POLES) THAT ARE NOTED TO BE SALVAGED SHALL REMAIN THE PROPERTY OF THE CITY OF URBANA, AND SHALL BE MOVED TO AND STORED AT A LOCATION DESIGNATED BY THE ENGINEER FOR PICK UP BY THE CITY'S FORCES.
17. CONDUITS ARE INDICATED AS TRENCHED OR AUGERED FOR INFORMATION PURPOSES. ALL CONDUIT WILL BE PAID AT THE CONTRACT UNIT PRICE PER FOOT FOR UNDERGROUND CONDUIT OF THE TYPE AND SIZE SPECIFIED.
18. JUNCTION BOXES SHALL INCLUDE THE INTENDED USE CAST INTO THE COVER. SEE SPECIAL PROVISIONS.
19. MTD KIOSKS WILL BE PROVIDED BY OTHERS. THE CONTRACTOR SHALL COORDINATE THE CONDUIT FEEDS WITH THE CHAMPAIGN-URBANA MASS TRANSIT DISTRICT AND AS DIRECTED BY THE ENGINEER. THIS COORDINATION SHALL BE INCLUDED IN THE COST OF THE CONDUITS AND NO ADDITIONAL COMPENSATION WILL BE ALLOWED. SEE SPECIAL PROVISIONS FOR ADDITIONAL INFORMATION.

BILL OF MATERIALS

CODE NUMBER	ITEM	UNIT	TOTAL QUANTITY
81028350	UNDERGROUND CONDUIT, PVC, 2" DIA.	FOOT	10038
81028400	UNDERGROUND CONDUIT, PVC, 5" DIA.	FOOT	9
81400700	HANDHOLE, PORTLAND CEMENT CONCRETE	EACH	1
81500120	GULFBOX JUNCTION, COMPOSITE CONCRETE	EACH	1
81702110	ELECTRIC CABLE IN CONDUIT, 600V (XLP-TYPE USE) 1/C NO. 10	FOOT	155
81702120	ELECTRIC CABLE IN CONDUIT, 600V (XLP-TYPE USE) 1/C NO. 8	FOOT	3786
81702130	ELECTRIC CABLE IN CONDUIT, 600V (XLP-TYPE USE) 1/C NO. 6	FOOT	1861
81702140	ELECTRIC CABLE IN CONDUIT, 600V (XLP-TYPE USE) 1/C NO. 4	FOOT	20208
81702155	ELECTRIC CABLE IN CONDUIT, 600V (XLP-TYPE USE) 1/C NO. 1	FOOT	2070
83000400	LIGHT POLE, ALUMINUM, 30 FT. M.H., 10 FT. DAVIT ARM	EACH	39
83600200	LIGHT POLE FOUNDATION, 24" DIAMETER	FOOT	168
84200500	REMOVAL OF LIGHTING UNIT, SALVAGE	EACH	1
84200600	REMOVAL OF LIGHTING UNIT, NO SALVAGE	EACH	27
84200804	REMOVAL OF POLE FOUNDATION	EACH	30
84400105	RELOCATE EXISTING LIGHTING UNIT	EACH	5
84500110	REMOVAL OF LIGHTING CONTROLLER	EACH	1
84500120	REMOVAL OF ELECTRIC SERVICE INSTALLATION	EACH	1
X0327739	MISCELLANEOUS ELECTRICAL WORK	LSUM	1
X1400092	LIGHT POLE, ALUMINUM, 30 FT. M.H., 10 FT. DAVIT ARM - TWIN	EACH	2
X1700001	DRILL EXISTING MANHOLE, HEAVY DUTY HANDHOLE, OR MEDIAN WALL JUNCTION BOX	EACH	8
X6050040	REMOVING MANHOLES, SPECIAL	EACH	1
X8040102	ELECTRIC SERVICE INSTALLATION, SPECIAL	EACH	4
X8130110	JUNCTION BOX (SPECIAL)	EACH	78
X8130125	REMOVE EXISTING JUNCTION BOX	EACH	8
X8211125	LUMINAIRE, LED, HORIZONTAL MOUNT, SPECIAL	EACH	21
X8250505	LIGHTING CONTROLLER, SPECIAL	EACH	1
X8360120	LIGHT POLE FOUNDATION, SPECIAL	EACH	22
XX003303	CONCRETE LIGHT POLE	EACH	8
XX007797	LUMINAIRE (SPECIAL)	EACH	8
XX008068	LUMINAIRE INSTALLATION, TYPE 1	EACH	15
XX008069	LUMINAIRE INSTALLATION, TYPE 2	EACH	8
XX009128	FIBER OPTIC CABLE IN CONDUIT (SPECIAL)	FOOT	3187



FILE NAME = P:\C0010720_MCORE\Plans\sheets\Project1\P1-sht-lighting.dgn
 PLOT DATE = 8/25/2016 1:39:15 PM

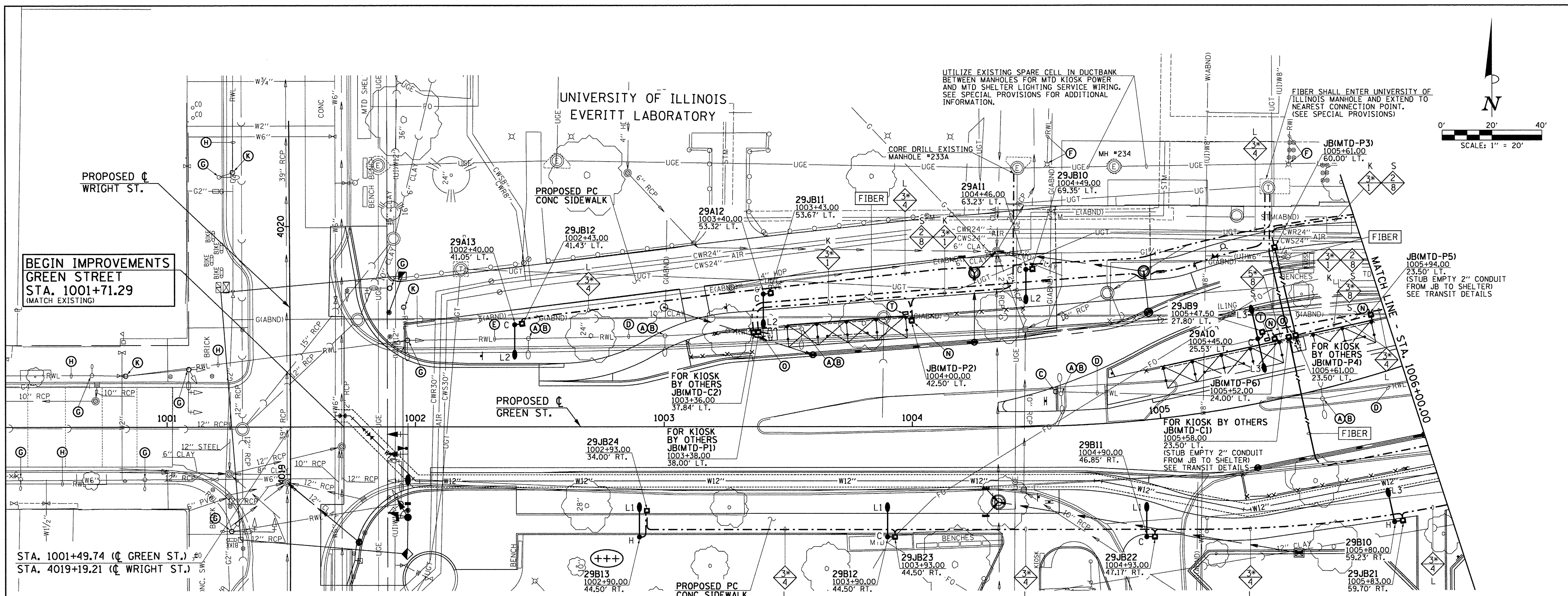
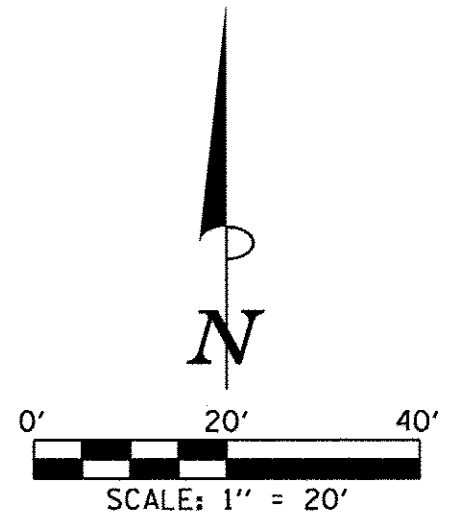
DESIGNED - M.L.S.	REVISED - M.L.S.
DRAWN - L.F.D.	REVISED - R.J.H.
CHECKED - L.M.Z.	REVISED - S.M.W.
DATE - MARCH 2016	REVISED - AUGUST 2016

STATE OF ILLINOIS
DEPARTMENT OF TRANSPORTATION

ROADWAY LIGHTING PLANS - GENERAL PLAN

SCALE: 1"=100' SHEET NO. 116 OF 236 SHEETS STA. TO STA.

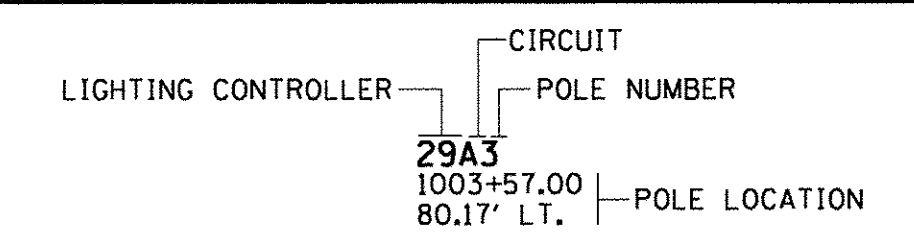
F.A.U. RTE.	SECTION	COUNTY	TOTAL SHEETS	SHEET NO.
	15-00304-01-PV	CHAMPAIGN	236	116
MCORE PROJECT 1			CONTRACT NO. 91539	
JOB NO. C-95-305-16			ILLINOIS FED. AID PROJECT T10-51810571	



BEGIN IMPROVEMENTS
GREEN STREET
STA. 1001+71.29
(MATCH EXISTING)

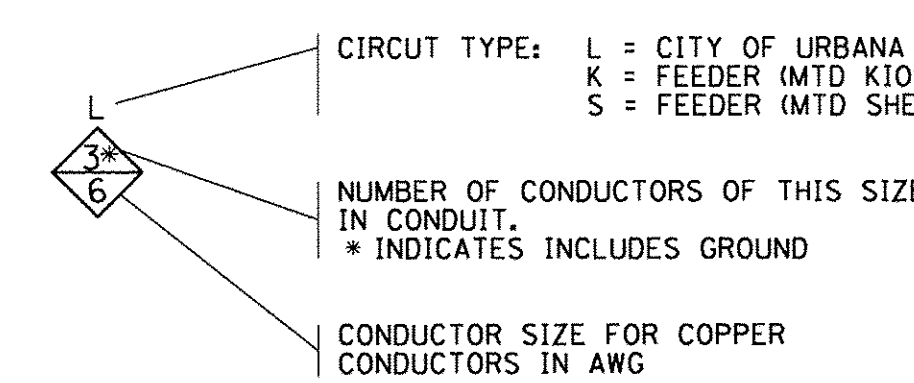
STA. 1001+49.74 (C GREEN ST.)
STA. 4019+19.21 (C WRIGHT ST.)

CIRCUIT DESIGNATION SCHEME



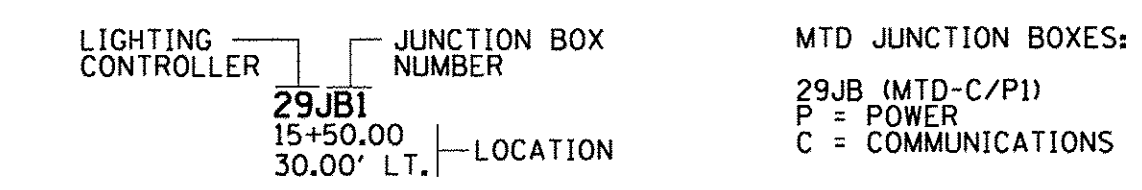
NOTE:
THE CONTRACTOR SHALL PROVIDE A PERMANENT STICKER INSIDE HAND HOLE OF EACH LIGHT POLE INDICATING THE LIGHTING CONTROLLER, CIRCUIT AND POLE NUMBER.

CONDUCTOR SYMBOL SCHEME



FIBER SINGLE MODE/MULTI-MODE FIBER OPTIC CABLE (SEE SPECIAL PROVISIONS)

JUNCTION BOX DESIGNATION SCHEME



ROADWAY LIGHTING LEGEND

EXISTING	PROPOSED	DESCRIPTION
		ROADWAY LED LUMINAIRE ("L#" INDICATES LUMINAIRE TYPE, SEE SPECIAL PROVISIONS FOR DESCRIPTION OF LUMINAIRE TYPE). LUMINAIRE MOUNTED ON 10' DAVIT ARM MOUNTED ON 30' ALUMINUM LIGHT POLE MOUNTED FOUNDATION ("H" INDICATES HELIX FOUNDATION, "C" INDICATES CONCRETE FOUNDATION).
		PEDESTRIAN LED LUMINAIRE, LUMINAIRE MOUNTED ON A DIRECTLY IMBEDDED 13' PRE-STRESSED CONCRETE LIGHT POLE, LUMINAIRE SHALL BE CONNECTED TO U OF I FACILITIES AND WILL BE MAINTAINED BY THE U OF I.
		TWO (2) ROADWAY LED LUMINAIRES ("L#" INDICATES LUMINAIRE TYPE, SEE SPECIAL PROVISIONS FOR DESCRIPTION OF LUMINAIRE TYPE). LUMINAIRES MOUNTED ON TWIN 10' DAVIT ARMS MOUNTED ON 30' ALUMINUM LIGHT POLE MOUNTED ON CONCRETE TYPE FOUNDATION.
		ROADWAY LED LUMINAIRE (SEE SPECIAL PROVISIONS FOR DESCRIPTION OF LUMINAIRE TYPE). LUMINAIRE MOUNTED ON 15' ALUMINUM TRUSS ARM MOUNTED ON 35' TRAFFIC SIGNAL MAST ARM POLE, TRUSS ARM, POLE AND FOUNDATION TO BE PROVIDED AND INSTALLED AS PART OF THE TRAFFIC SIGNAL INSTALLATION, COORDINATE LUMINAIRE INSTALLATION WITH POLE AND SIGNAL INSTALLATION.
		ROADWAY LIGHTING UNIT WITH LUMINAIRE AND POLE
		PORTLAND CEMENT CONCRETE HANDHOLE
		PROPOSED LIGHTING CONTROLLER (* AS NOTED)
		COMPOSITE TYPE JUNCTION BOX, SPECIAL (12"W x 12"L x 12"D)
		GULFBOX JUNCTION, COMPOSITE CONCRETE (13"W x 24"L x 12"D)
		2" PVC CONDUIT (SCHEDULE 80), AUGURED
		2" PVC CONDUIT (SCHEDULE 40), TRENCHED
		UNDERGROUND CONDUIT
		OVERHEAD ELECTRICAL CONDUCTORS
		ROADWAY LIGHTING CONDUIT/CONDUCTORS

KEYED NOTES (THIS SHEET)

- (A) EXISTING LIGHTING UNIT (POLE AND LUMINAIRE) TO BE REMOVED COMPLETE.
 - (B) EXISTING CONCRETE FOUNDATION TO BE REMOVED COMPLETE.
 - (C) EXISTING JUNCTION BOX TO BE REMOVED COMPLETE.
 - (D) EXISTING CONDUIT AND CONDUCTORS TO BE CUT OFF BELOW GRADE AND ABANDONED IN PLACE.
 - (E) REMOVE EXISTING CONDUCTORS BACK TO NEAREST JUNCTION BOX OR LIGHTING UNIT TO REMAIN, CUT OFF CONDUIT BELOW GRADE AND ABANDON IN PLACE.
 - (F) UNIVERSITY OF ILLINOIS EXISTING LIGHTING EQUIPMENT AND SYSTEM TO REMAIN AS PRESENTLY INSTALLED.
 - (G) EXISTING LIGHTING UNIT (POLE AND LUMINAIRE) TO REMAIN.
 - (H) EXISTING CONDUIT AND CONDUCTORS TO REMAIN.
 - (K) EXISTING HANDHOLE TO REMAIN.
 - (L) CONNECT ILLUMINATED STREET SIGN TO SAME ROADWAY LIGHTING CIRCUIT THAT IS SERVING ROADWAY LIGHTING LUMINAIRE ON THIS SIGNAL POLE.
 - (N) PROVIDE COMPOSITE TYPE JUNCTION BOX FOR LIGHTING CONNECTION TO MTD BUS SHELTER, PROVIDE 2" CONDUIT TO REAR LEG OF SHELTER FOR LIGHTING WIRING, COORDINATE WITH SHELTER MANUFACTURER, CONNECT SHELTER LIGHTING TO MTD SHELTER LIGHTING CIRCUIT FROM ELECTRONIC TIME SWITCH PEDESTAL, PROVIDE IN-LINE FUSE HOLDER WITH 15A FUSE FOR SHELTER LIGHTING DISCONNECT.
 - (O) PROVIDE TWO COMPOSITE TYPE JUNCTION BOXES FOR POWER AND COMMUNICATIONS CONNECTIONS TO MTD KIOSK, PROVIDE TWO 2" CONDUITS TO KIOSK FOR POWER AND COMMUNICATIONS WIRING, COORDINATE WITH KIOSK MANUFACTURER.
 - (T) PROVIDE ELECTRONIC TIME SWITCH FOR MTD BUS SHELTER CONSISTING OF 18" PEDESTAL WITH LOCKABLE COVER AND ELECTRONIC TIME SWITCH, SEE DETAILS FOR ADDITIONAL INFORMATION.
- (I) (J) (M) (P) (R) (S) NOT USED

+++ THE CONTRACTOR WILL BE RESPONSIBLE FOR PROTECTING THE EXISTING HEDGE FROM DAMAGE DURING THE INSTALLATION OF THE PROPOSED LIGHTING SYSTEM. THE CONTRACTOR WILL BE ALLOWED TO REMOVE THE EXISTING HEDGE A MAXIMUM OF 30" WIDE ONLY WHERE IT CONFLICTS WITH THE PROPOSED LIGHT POLE AND FOUNDATION INSTALLATIONS. THE CONTRACTOR WILL BE RESPONSIBLE FOR ANY DAMAGES AS DETERMINED BY THE ENGINEER.

UNIVERSITY OF ILLINOIS
ILLINI UNION

FILE NAME = P:\0010720_MCORE\Plans\Sheets\Project1\P1-sht-lighting.dgn
PLOT DATE = 8/29/2016 1:39:16 PM

DESIGNED - M.L.S.	REVISED - M.L.S.
DRAWN - L.F.D.	REVISED - R.J.H.
CHECKED - L.M.Z.	REVISED - S.M.W.
DATE - MARCH 2016	REVISED - AUGUST 2016

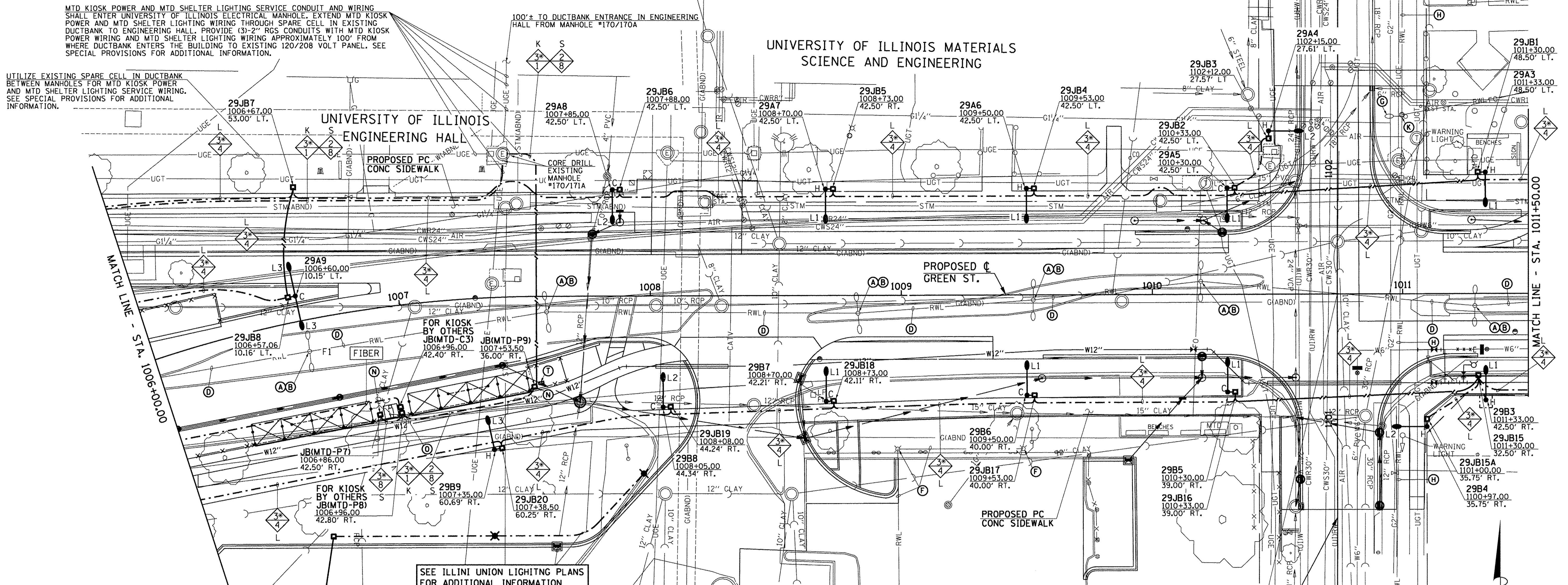
STATE OF ILLINOIS
DEPARTMENT OF TRANSPORTATION

ROADWAY LIGHTING PLANS - GREEN STREET

SCALE: 1"=20' SHEET NO. 117 OF 236 SHEETS STA. 1001+71 TO STA. 1006+00

F.A.U. RTE.	SECTION	COUNTY	TOTAL SHEETS	SHEET NO.
	15-00304-01-PV	CHAMPAIGN	236	117
MCORE PROJECT 1		CONTRACT NO. 91539		
JOB NO. C-95-305-16 ILLINOIS FED. AID PROJECT TIG-5181057				

UNIVERSITY OF ILLINOIS
SCIENCE AND ENGINEERING

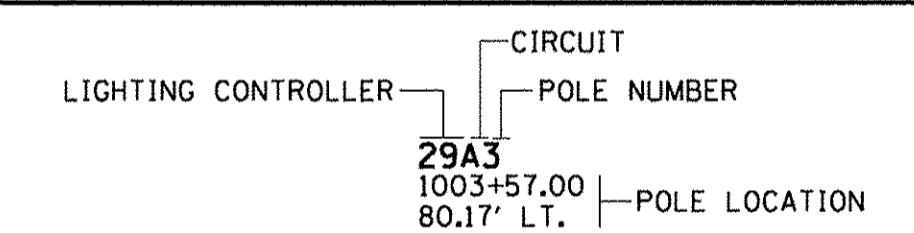


MTD KIOSK POWER AND MTD SHELTER LIGHTING SERVICE CONDUIT AND WIRING SHALL ENTER UNIVERSITY OF ILLINOIS ELECTRICAL MANHOLE, EXTEND MTD KIOSK POWER AND MTD SHELTER LIGHTING WIRING THROUGH SPARE CELL IN EXISTING DUCTBANK TO ENGINEERING HALL. PROVIDE (3)-2" RGS CONDUITS WITH MTD KIOSK POWER WIRING AND MTD SHELTER LIGHTING WIRING APPROXIMATELY 100' FROM WHERE DUCTBANK ENTERS THE BUILDING TO EXISTING 120/208 VOLT PANEL. SEE SPECIAL PROVISIONS FOR ADDITIONAL INFORMATION.

UTILIZE EXISTING SPARE CELL IN DUCTBANK BETWEEN MANHOLES FOR MTD KIOSK POWER AND MTD SHELTER LIGHTING SERVICE WIRING. SEE SPECIAL PROVISIONS FOR ADDITIONAL INFORMATION.

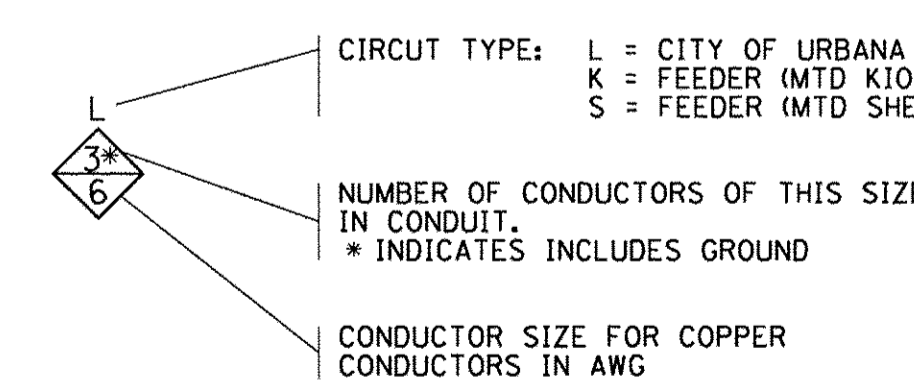


CIRCUIT DESIGNATION SCHEME



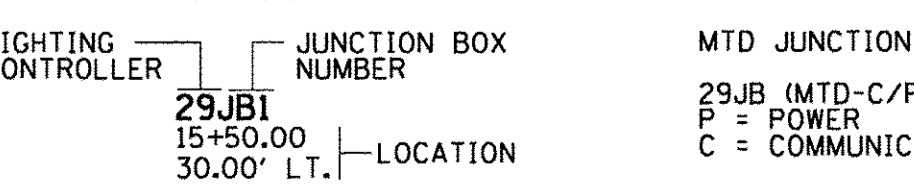
NOTE:
THE CONTRACTOR SHALL PROVIDE A PERMANENT STICKER INSIDE HAND HOLE OF EACH LIGHT POLE INDICATING THE LIGHTING CONTROLLER, CIRCUIT AND POLE NUMBER.

CONDUCTOR SYMBOL SCHEME



FIBER SINGLE MODE/MULTI-MODE FIBER OPTIC CABLE (SEE SPECIAL PROVISIONS)

JUNCTION BOX DESIGNATION SCHEME

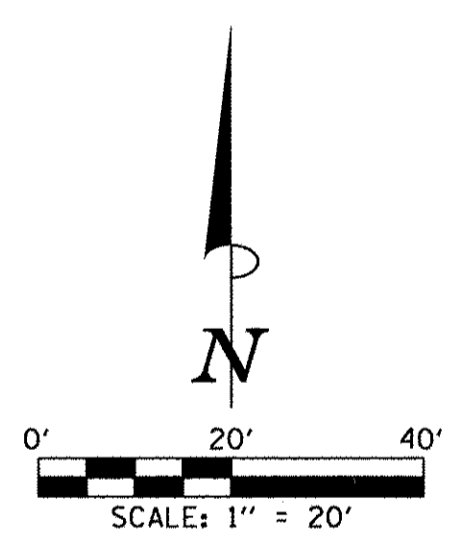


ROADWAY LIGHTING LEGEND

EXISTING	PROPOSED	DESCRIPTION
		ROADWAY LED LUMINAIRE ("L" INDICATES LUMINAIRE TYPE, SEE SPECIAL PROVISIONS FOR DESCRIPTION OF LUMINAIRE TYPE). LUMINAIRE MOUNTED ON 10' DAVIT ARM MOUNTED ON 30' ALUMINUM LIGHT POLE MOUNTED FOUNDATION ("H" INDICATES HELIX FOUNDATION, "C" INDICATES CONCRETE FOUNDATION).
		PEDESTRIAN LED LUMINAIRE, LUMINAIRE MOUNTED ON A DIRECTLY IMBEDDED 13' PRE-STRESSED CONCRETE LIGHT POLE, LUMINAIRE SHALL BE CONNECTED TO U OF I FACILITIES AND WILL BE MAINTAINED BY THE U OF I.
		TWO (2) ROADWAY LED LUMINAIRES ("L" INDICATES LUMINAIRE TYPE, SEE SPECIAL PROVISIONS FOR DESCRIPTION OF LUMINAIRE TYPE). LUMINAIRES MOUNTED ON TWIN 10' DAVIT ARMS MOUNTED ON 30' ALUMINUM LIGHT POLE MOUNTED ON CONCRETE TYPE FOUNDATION.
		ROADWAY LED LUMINAIRE (SEE SPECIAL PROVISIONS FOR DESCRIPTION OF LUMINAIRE TYPE), LUMINAIRE MOUNTED ON 15' ALUMINUM TRUSS ARM MOUNTED ON 35' TRAFFIC SIGNAL MAST ARM POLE, TRUSS ARM, POLE AND FOUNDATION TO BE PROVIDED AND INSTALLED AS PART OF THE TRAFFIC SIGNAL INSTALLATION, COORDINATE LUMINAIRE INSTALLATION WITH POLE AND SIGNAL INSTALLATION.
		ROADWAY LIGHTING UNIT WITH LUMINAIRE AND POLE
		PORTLAND CEMENT CONCRETE HANDHOLE
		PROPOSED LIGHTING CONTROLLER (* AS NOTED)
		COMPOSITE TYPE JUNCTION BOX, SPECIAL (12"W x 12"L x 12"D)
		GULFBOX JUNCTION, COMPOSITE CONCRETE (13"W x 24"L x 12"D)
		2" PVC CONDUIT (SCHEDULE 80), AUGURED
		2" PVC CONDUIT (SCHEDULE 40), TRENCHED
		UNDERGROUND CONDUIT
		OVERHEAD ELECTRICAL CONDUCTORS
		ROADWAY LIGHTING CONDUIT/CONDUCTORS

STA. 1010+73.87 (C GREEN ST.) =
STA. 1101+50 (C MATHEWS AVE.)

PROPOSED C
MATHEWS AVE.



KEYED NOTES (THIS SHEET)

- (A) EXISTING LIGHTING UNIT (POLE AND LUMINAIRE) TO BE REMOVED COMPLETE.
 - (B) EXISTING CONCRETE FOUNDATION TO BE REMOVED COMPLETE.
 - (D) EXISTING CONDUIT AND CONDUCTORS TO BE CUT OFF BELOW GRADE AND ABANDONED IN PLACE.
 - (F) UNIVERSITY OF ILLINOIS EXISTING LIGHTING EQUIPMENT AND SYSTEM TO REMAIN AS PRESENTLY INSTALLED.
 - (G) EXISTING LIGHTING UNIT (POLE AND LUMINAIRE) TO REMAIN.
 - (H) EXISTING CONDUIT AND CONDUCTORS TO REMAIN.
 - (K) EXISTING HANDHOLE TO REMAIN.
 - (N) PROVIDE COMPOSITE TYPE JUNCTION BOX FOR LIGHTING CONNECTION TO MTD BUS SHELTER. PROVIDE 2" CONDUIT TO REAR LEG OF SHELTER FOR LIGHTING WIRING. COORDINATE WITH SHELTER MANUFACTURER. CONNECT SHELTER LIGHTING TO MTD SHELTER LIGHTING CIRCUIT FROM ELECTRONIC TIME SWITCH PEDESTAL. PROVIDE IN-LINE FUSE HOLDER WITH 15A FUSE FOR SHELTER LIGHTING DISCONNECT.
 - (O) PROVIDE TWO COMPOSITE TYPE JUNCTION BOXES FOR POWER AND COMMUNICATIONS CONNECTIONS TO MTD KIOSK. PROVIDE TWO 2" CONDUITS TO KIOSK FOR POWER AND COMMUNICATIONS WIRING. COORDINATE WITH KIOSK MANUFACTURER.
 - (T) PROVIDE ELECTRONIC TIME SWITCH FOR MTD BUS SHELTER CONSISTING OF 18" PEDESTAL WITH LOCKABLE COVER AND ELECTRONIC TIME SWITCH. SEE DETAILS FOR ADDITIONAL INFORMATION.
- (C)(E)(I)(J)(L)(M)(P)(R)(S) NOT USED

FILE NAME = P:\0010720_MCORE\Plans\Sheets\Project1\P1-sht-lighting.dgn
PLOT DATE = 8/25/2016 1:39:18 PM

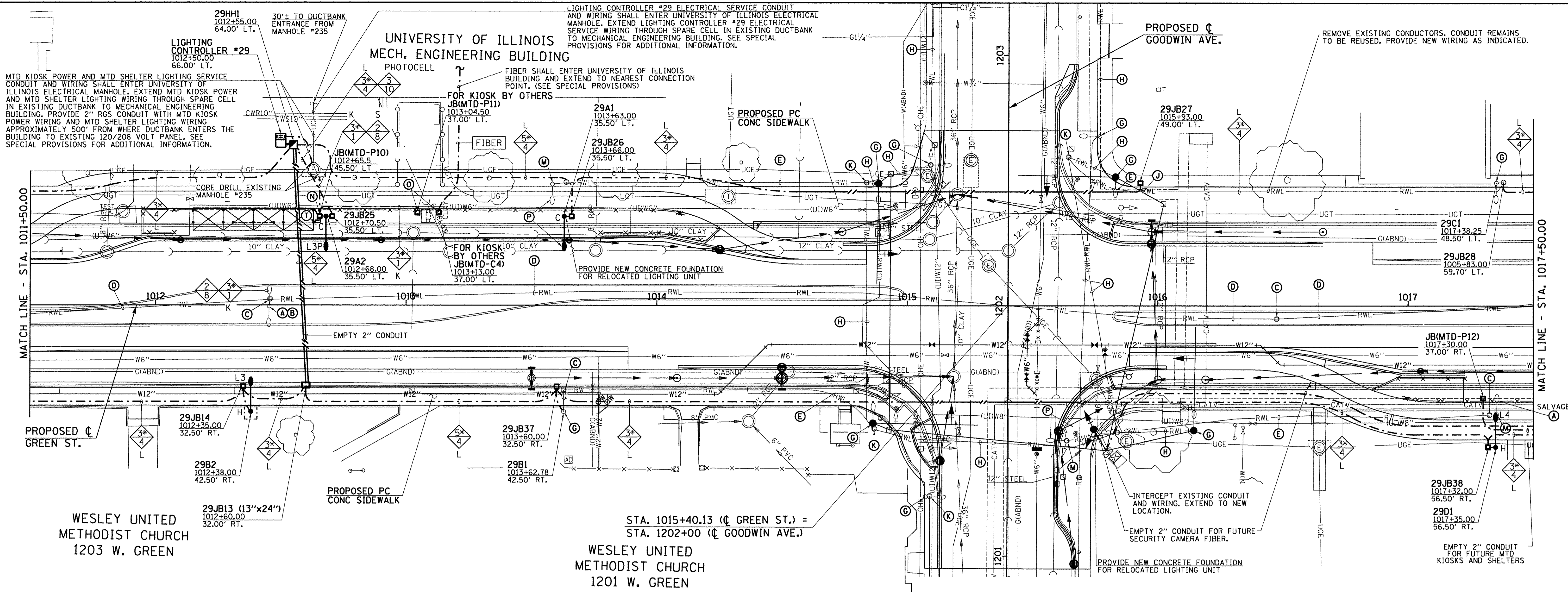
DESIGNED - M.L.S.	REVISED - M.L.S.
DRAWN - L.F.D.	REVISED - R.J.H.
CHECKED - L.M.Z.	REVISED - S.M.W.
DATE - MARCH 2016	REVISED - AUGUST 2016

STATE OF ILLINOIS
DEPARTMENT OF TRANSPORTATION

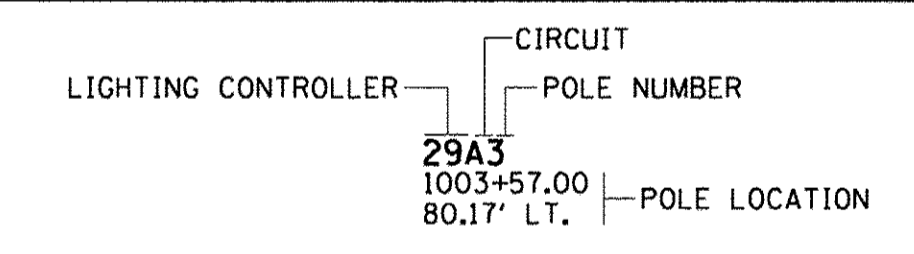
ROADWAY LIGHTING PLANS - GREEN STREET

SCALE: 1"=20' SHEET NO. 118 OF 236 SHEETS STA. 1006+00 TO STA. 1011+50

F.A.U. RTE.	SECTION	COUNTY	TOTAL SHEETS	SHEET NO.
	15-00304-01-PV	CHAMPAIGN	236	118
MCORE PROJECT 1		CONTRACT NO. 91539		
JOB NO. C-95-305-16 ILLINOIS FED. AID PROJECT TIG-5181(057)				

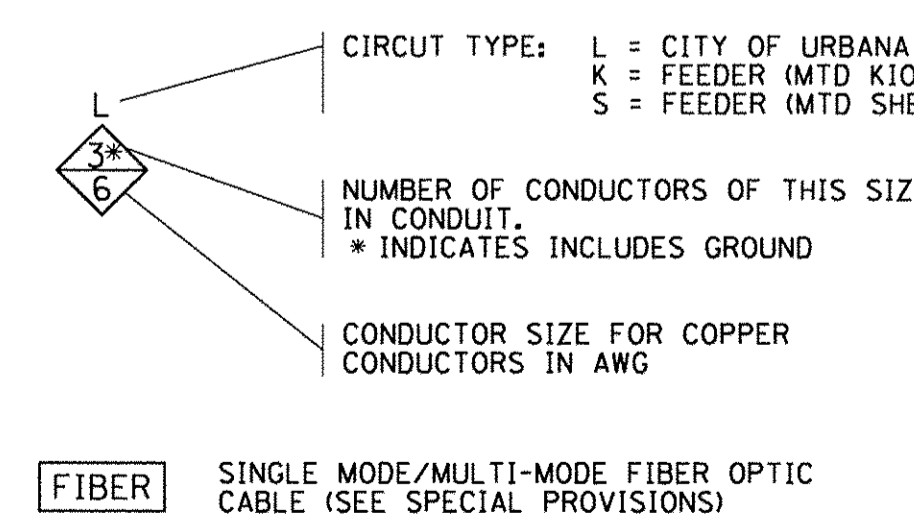


CIRCUIT DESIGNATION SCHEME

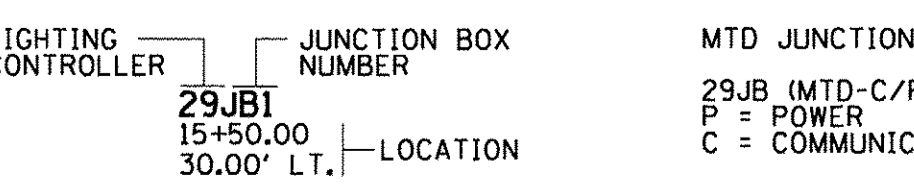


NOTE:
THE CONTRACTOR SHALL PROVIDE A PERMANENT STICKER INSIDE HAND HOLE OF EACH LIGHT POLE INDICATING THE LIGHTING CONTROLLER, CIRCUIT AND POLE NUMBER.

CONDUCTOR SYMBOL SCHEME



JUNCTION BOX DESIGNATION SCHEME

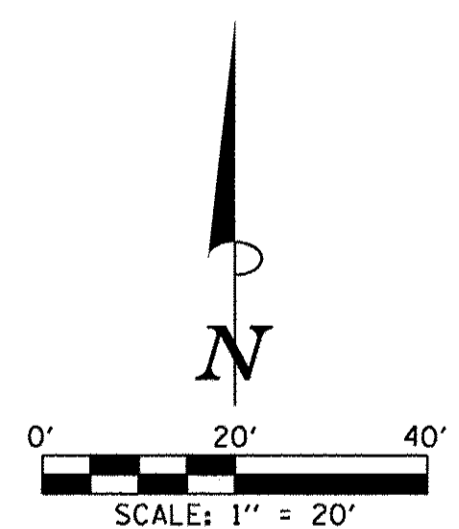


ROADWAY LIGHTING LEGEND

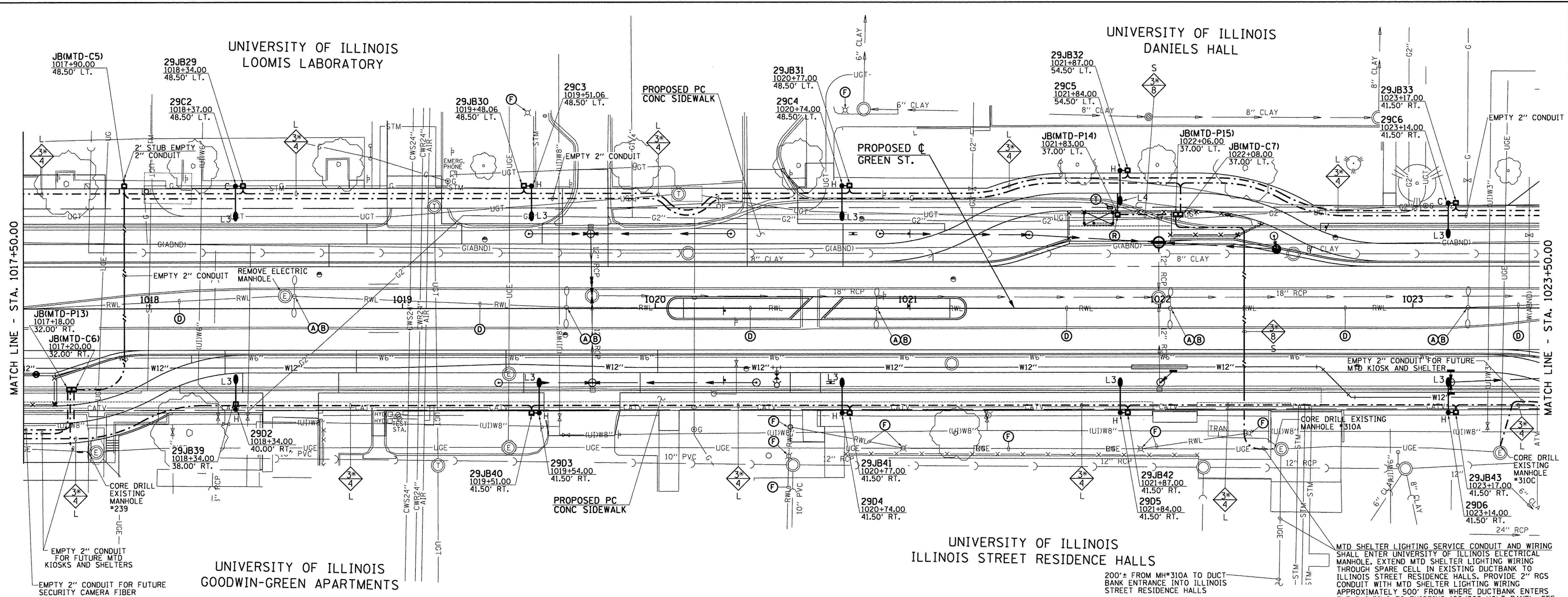
EXISTING	PROPOSED	DESCRIPTION
		ROADWAY LED LUMINAIRE ("L#" INDICATES LUMINAIRE TYPE, SEE SPECIAL PROVISIONS FOR DESCRIPTION OF LUMINAIRE TYPE). LUMINAIRE MOUNTED ON 10' DAVIT ARM MOUNTED ON 30' ALUMINUM LIGHT POLE MOUNTED ON CONCRETE TYPE FOUNDATION. "H" INDICATES HELIX FOUNDATION, "C" INDICATES CONCRETE FOUNDATION.
		PEDESTRIAN LED LUMINAIRE, LUMINAIRE MOUNTED ON A DIRECTLY IMBEDDED 13' PRE-STRESSED CONCRETE LIGHT POLE, LUMINAIRE SHALL BE CONNECTED TO U OF I FACILITIES AND WILL BE MAINTAINED BY THE U OF I.
		TWO (2) ROADWAY LED LUMINAIRES ("L#" INDICATES LUMINAIRE TYPE, SEE SPECIAL PROVISIONS FOR DESCRIPTION OF LUMINAIRE TYPE). LUMINAIRES MOUNTED ON TWIN 10' DAVIT ARMS MOUNTED ON 30' ALUMINUM LIGHT POLE MOUNTED ON CONCRETE TYPE FOUNDATION.
		ROADWAY LED LUMINAIRE (SEE SPECIAL PROVISIONS FOR DESCRIPTION OF LUMINAIRE TYPE). LUMINAIRE MOUNTED ON 15' ALUMINUM TRUSS ARM MOUNTED ON 35' TRAFFIC SIGNAL MAST ARM POLE, TRUSS ARM, POLE AND FOUNDATION TO BE PROVIDED AND INSTALLED AS PART OF THE TRAFFIC SIGNAL INSTALLATION. COORDINATE LUMINAIRE INSTALLATION WITH POLE AND SIGNAL INSTALLATION.
		ROADWAY LIGHTING UNIT WITH LUMINAIRE AND POLE
		PORTLAND CEMENT CONCRETE HANDHOLE
		PROPOSED LIGHTING CONTROLLER (# AS NOTED)
		COMPOSITE TYPE JUNCTION BOX, SPECIAL (12"W x 12"L x 12"D)
		GULFBOX JUNCTION, COMPOSITE CONCRETE (13"W x 24"L x 12"D)
		2" PVC CONDUIT (SCHEDULE 80), AUGURED
		2" PVC CONDUIT (SCHEDULE 40), TRENCHED
		UNDERGROUND CONDUIT
		OVERHEAD ELECTRICAL CONDUCTORS
		ROADWAY LIGHTING CONDUIT/CONDUCTORS

KEYED NOTES (THIS SHEET)

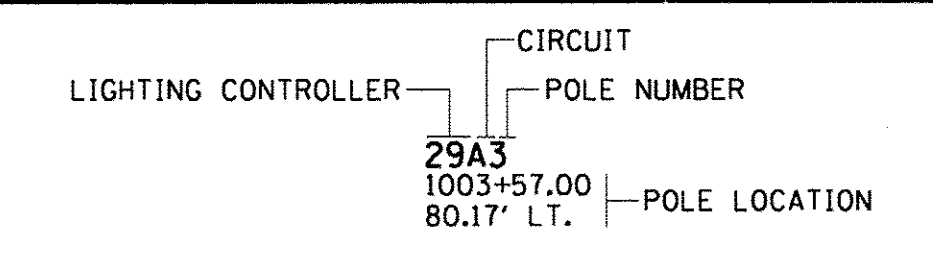
- (A) EXISTING LIGHTING UNIT (POLE AND LUMINAIRE) TO BE REMOVED COMPLETE.
 - (B) EXISTING CONCRETE FOUNDATION TO BE REMOVED COMPLETE.
 - (C) EXISTING JUNCTION BOX TO BE REMOVED COMPLETE.
 - (D) EXISTING CONDUIT AND CONDUCTORS TO BE CUT OFF BELOW GRADE AND ABANDONED IN PLACE.
 - (E) REMOVE EXISTING CONDUCTORS BACK TO NEAREST JUNCTION BOX OR LIGHTING UNIT TO REMAIN, CUT OFF CONDUIT BELOW GRADE AND ABANDON IN PLACE.
 - (G) EXISTING LIGHTING UNIT (POLE AND LUMINAIRE) TO REMAIN.
 - (H) EXISTING CONDUIT AND CONDUCTORS TO REMAIN.
 - (J) INTERCEPT EXISTING CONDUIT AND EXTEND TO NEW JUNCTION BOX.
 - (K) EXISTING HANDHOLE TO REMAIN.
 - (M) EXISTING METAL HELIX FOUNDATION TO BE REMOVED COMPLETE. (SEE SPECIAL PROVISIONS)
 - (N) PROVIDE COMPOSITE TYPE JUNCTION BOX FOR LIGHTING CONNECTION TO MTD BUS SHELTER, PROVIDE 2" CONDUIT TO REAR LEG OF SHELTER FOR LIGHTING WIRING, COORDINATE WITH SHELTER MANUFACTURER, CONNECT SHELTER LIGHTING TO MTD SHELTER LIGHTING CIRCUIT FROM ELECTRONIC TIME SWITCH PEDESTAL, PROVIDE IN-LINE FUSE HOLDER WITH 15A FUSE FOR SHELTER LIGHTING DISCONNECT.
 - (O) PROVIDE TWO COMPOSITE TYPE JUNCTION BOXES FOR POWER AND COMMUNICATIONS CONNECTIONS TO MTD KIOSK, PROVIDE TWO 2" CONDUITS TO KIOSK FOR POWER AND COMMUNICATIONS WIRING, COORDINATE WITH KIOSK MANUFACTURER.
 - (P) RELOCATE EXISTING ROADWAY LIGHTING UNIT.
 - (T) PROVIDE ELECTRONIC TIME SWITCH FOR MTD BUS SHELTER CONSISTING OF 18" PEDESTAL WITH LOCKABLE COVER AND ELECTRONIC TIME SWITCH. SEE DETAILS FOR ADDITIONAL INFORMATION.
- (F) (I) (L) (R) (S) NOT USED



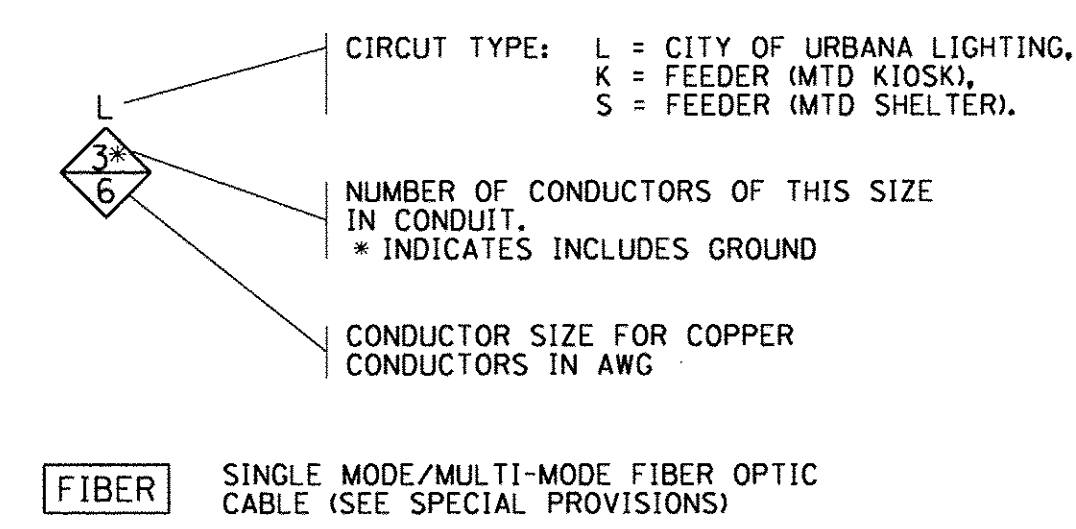
FILE NAME = P:\0010720_MCORE\PIans\sheet\Project1\P1-sht-lighting.dgn	DESIGNED - M.L.S.	REVISED - M.L.S.	STATE OF ILLINOIS DEPARTMENT OF TRANSPORTATION	ROADWAY LIGHTING PLANS - GREEN STREET			F.A.U. RTE.	SECTION	COUNTY	TOTAL SHEETS	SHEET NO.
PLOT DATE = 8/25/2016 1:39:21 PM	DRAWN - L.F.D.	REVISED - R.J.H.					15-00304-01-PV	CHAMPAIGN	236	119	
	CHECKED - L.M.Z.	REVISED - S.M.W.		MCORE PROJECT 1			CONTRACT NO. 91539				
	DATE - MARCH 2016	REVISED - AUGUST 2016		SCALE: 1"=20'	SHEET NO. 119 OF 236 SHEETS	STA. 1011+50 TO STA. 1017+50	JOB NO. C-95-305-16 ILLINOIS FED. AID PROJECT TIG-5181057				



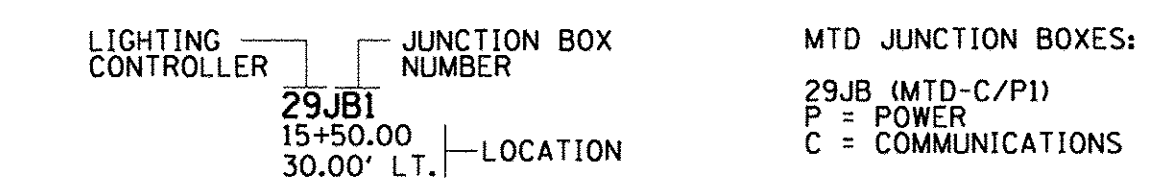
CIRCUIT DESIGNATION SCHEME



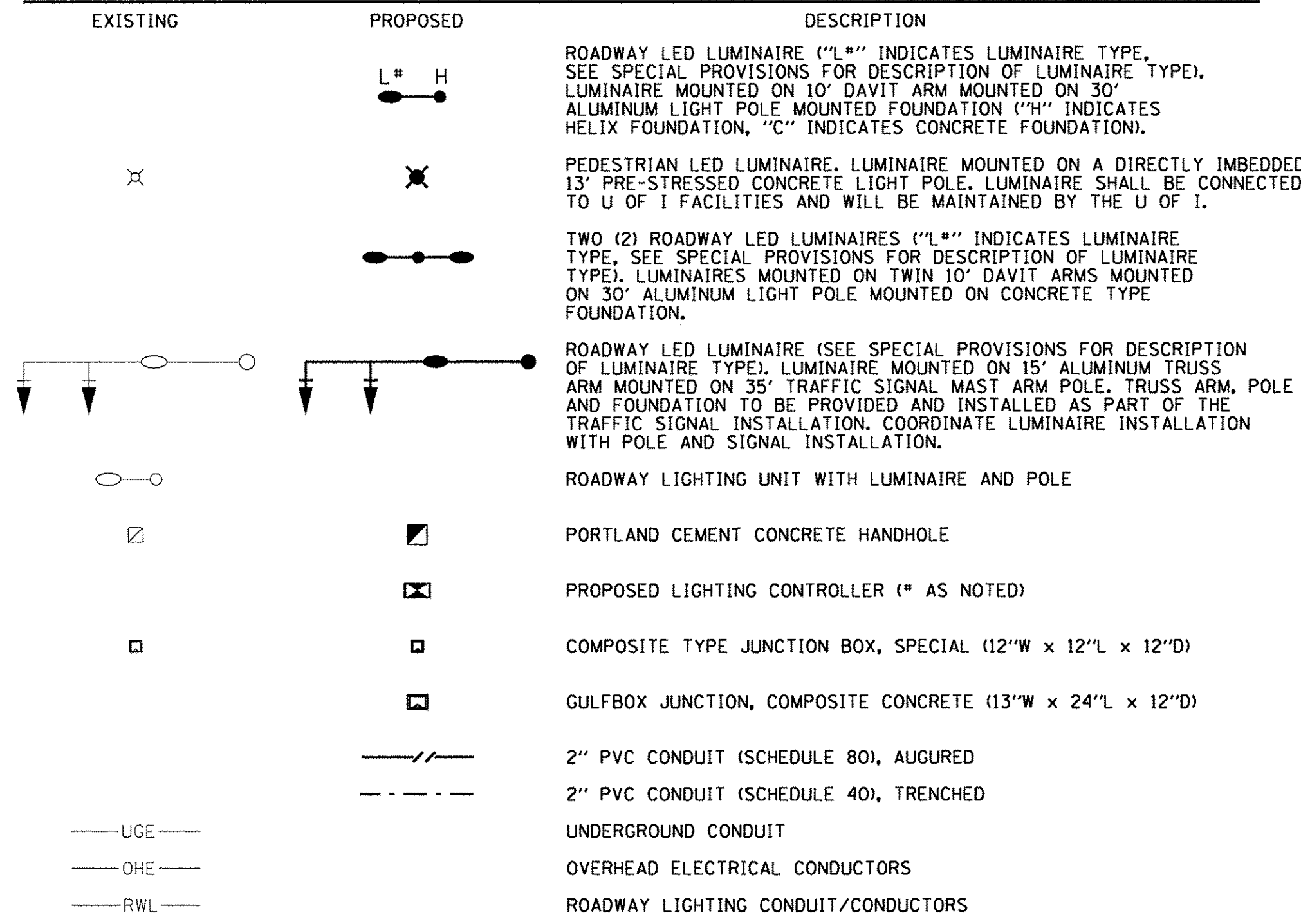
CONDUCTOR SYMBOL SCHEME



JUNCTION BOX DESIGNATION SCHEME

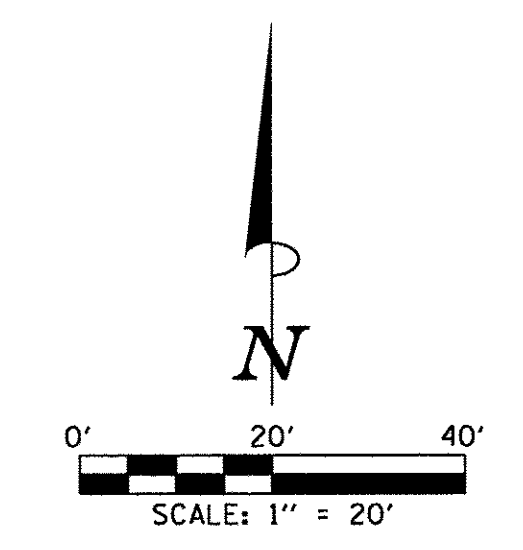


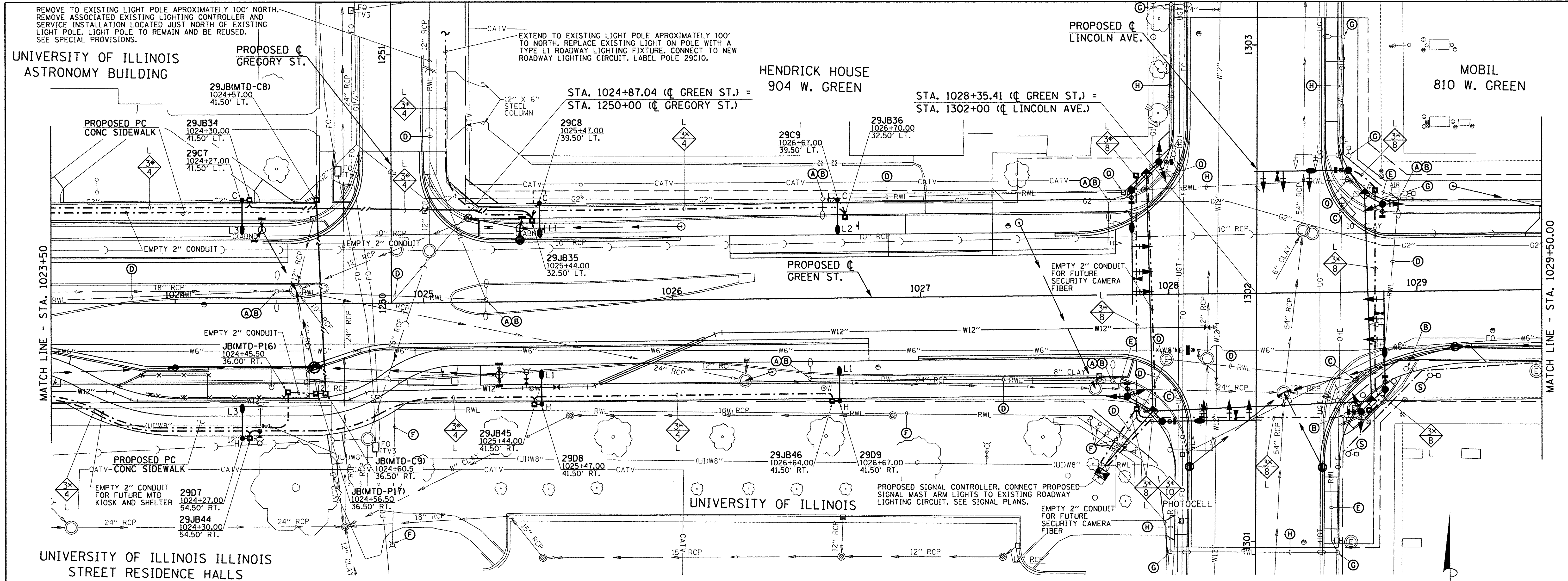
ROADWAY LIGHTING LEGEND



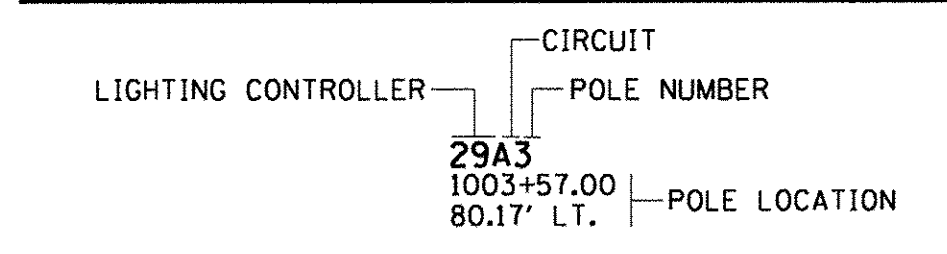
KEYED NOTES (THIS SHEET)

- (A) EXISTING LIGHTING UNIT (POLE AND LUMINAIRE) TO BE REMOVED COMPLETE.
- (B) EXISTING CONCRETE FOUNDATION TO BE REMOVED COMPLETE.
- (C) EXISTING JUNCTION BOX TO BE REMOVED COMPLETE.
- (D) EXISTING CONDUIT AND CONDUCTORS TO BE CUT OFF BELOW GRADE AND ABANDONED IN PLACE.
- (F) UNIVERSITY OF ILLINOIS EXISTING LIGHTING EQUIPMENT AND SYSTEM TO REMAIN AS PRESENTLY INSTALLED.
- (R) PROVIDE COMPOSITE TYPE JUNCTION BOX FOR LIGHTING CONNECTION TO MTD BUS SHELTER. PROVIDE 2" CONDUIT TO REAR LEG OF SHELTER FOR LIGHTING WIRING. COORDINATE WITH SHELTER MANUFACTURER. IN JUNCTION BOX, CONNECT SHELTER LIGHTING TO MTD SHELTER LIGHTING CIRCUIT FROM ELECTRONIC TIME SWITCH PEDESTAL. PROVIDE IN-LINE FUSE HOLDER WITH 15A FUSE FOR SHELTER LIGHTING DISCONNECT.
- (T) PROVIDE ELECTRONIC TIME SWITCH FOR MTD BUS SHELTER CONSISTING OF 18" PEDESTAL WITH LOCKABLE COVER AND ELECTRONIC TIME SWITCH. SEE DETAILS FOR ADDITIONAL INFORMATION.
- (E) (G) (H) (I) (J) (K) (L) (M) (N) (O) (P) (S) NOT USED



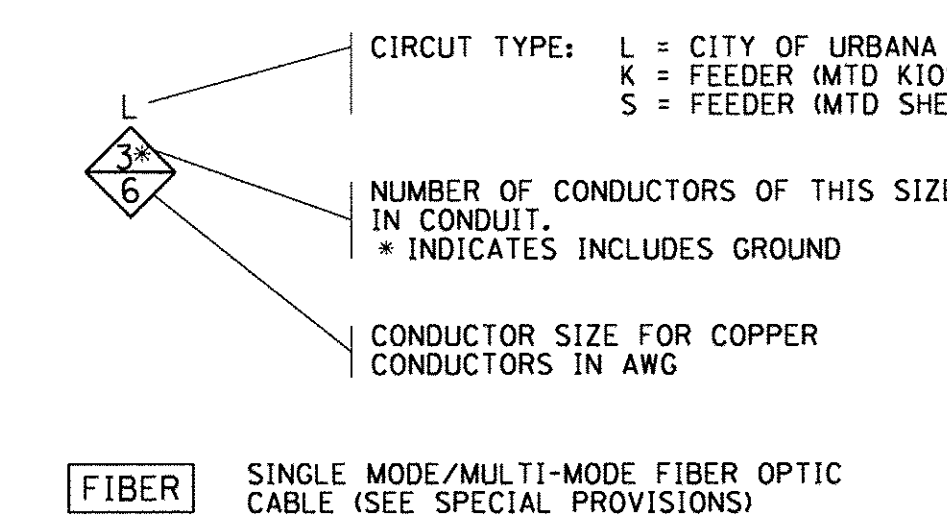


CIRCUIT DESIGNATION SCHEME

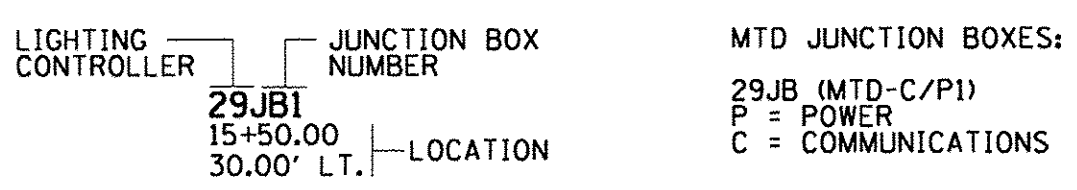


NOTE:
THE CONTRACTOR SHALL PROVIDE A PERMANENT STICKER INSIDE HAND HOLE OF EACH LIGHT POLE INDICATING THE LIGHTING CONTROLLER, CIRCUIT AND POLE NUMBER.

CONDUCTOR SYMBOL SCHEME



JUNCTION BOX DESIGNATION SCHEME

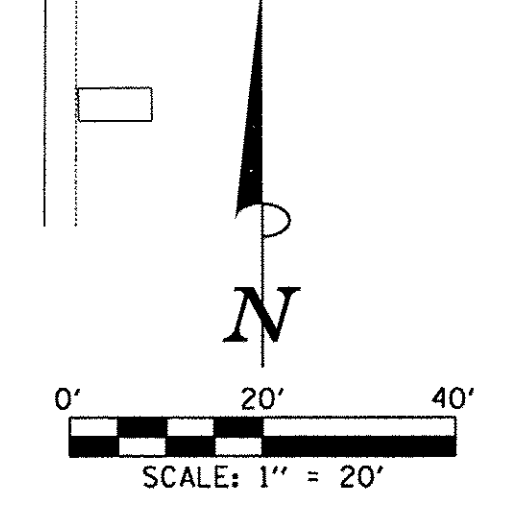


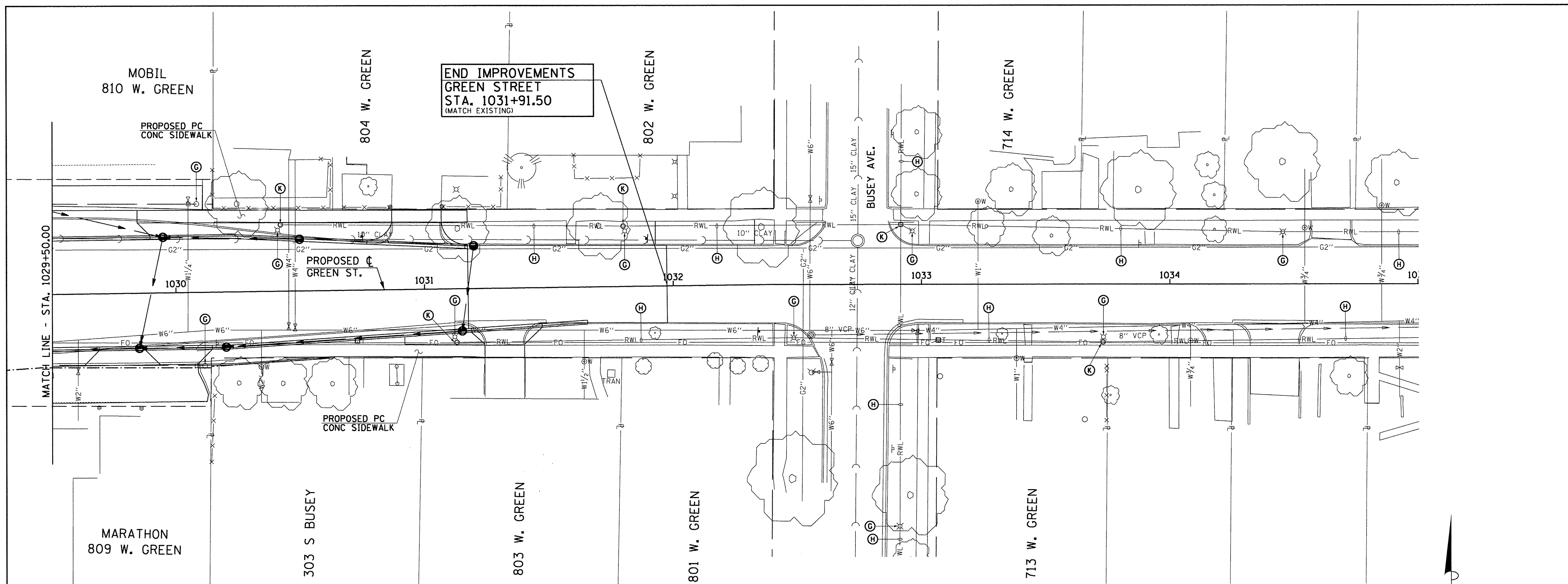
ROADWAY LIGHTING LEGEND

EXISTING	PROPOSED	DESCRIPTION
		ROADWAY LED LUMINAIRE ("L#" INDICATES LUMINAIRE TYPE, SEE SPECIAL PROVISIONS FOR DESCRIPTION OF LUMINAIRE TYPE). LUMINAIRE MOUNTED ON 10' DAVIT ARM MOUNTED ON 30" ALUMINUM LIGHT POLE MOUNTED ON CONCRETE TYPE FOUNDATION. "H" INDICATES HELIX FOUNDATION, "C" INDICATES CONCRETE FOUNDATION.
		PEDESTRIAN LED LUMINAIRE, LUMINAIRE MOUNTED ON A DIRECTLY IMBEDDED 13' PRE-STRESSED CONCRETE LIGHT POLE. LUMINAIRE SHALL BE CONNECTED TO U OF I FACILITIES AND WILL BE MAINTAINED BY THE U OF I.
		TWO (2) ROADWAY LED LUMINAIRES ("L#" INDICATES LUMINAIRE TYPE, SEE SPECIAL PROVISIONS FOR DESCRIPTION OF LUMINAIRE TYPE). LUMINAIRES MOUNTED ON TWIN 10' DAVIT ARMS MOUNTED ON 30" ALUMINUM LIGHT POLE MOUNTED ON CONCRETE TYPE FOUNDATION.
		ROADWAY LED LUMINAIRE (SEE SPECIAL PROVISIONS FOR DESCRIPTION OF LUMINAIRE TYPE). LUMINAIRE MOUNTED ON 15' ALUMINUM TRUSS ARM MOUNTED ON 35' TRAFFIC SIGNAL MAST ARM POLE. TRUSS ARM, POLE AND FOUNDATION TO BE PROVIDED AND INSTALLED AS PART OF THE TRAFFIC SIGNAL INSTALLATION. COORDINATE LUMINAIRE INSTALLATION WITH POLE AND SIGNAL INSTALLATION.
		ROADWAY LIGHTING UNIT WITH LUMINAIRE AND POLE
		PORTLAND CEMENT CONCRETE HANDHOLE
		PROPOSED LIGHTING CONTROLLER (* AS NOTED)
		COMPOSITE TYPE JUNCTION BOX, SPECIAL (12"W x 12"L x 12"D)
		GULFBOX JUNCTION, COMPOSITE CONCRETE (13"W x 24"L x 12"D)
		2" PVC CONDUIT (SCHEDULE 80), AUGURED
		2" PVC CONDUIT (SCHEDULE 40), TRENCHED
		UNDERGROUND CONDUIT
		OVERHEAD ELECTRICAL CONDUCTORS
		ROADWAY LIGHTING CONDUIT/CONDUCTORS

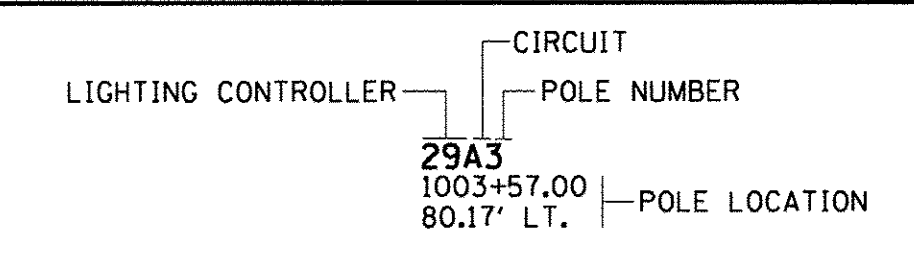
KEYED NOTES (THIS SHEET)

- (A) EXISTING LIGHTING UNIT (POLE AND LUMINAIRE) TO BE REMOVED COMPLETE.
- (B) EXISTING CONCRETE FOUNDATION TO BE REMOVED COMPLETE.
- (C) EXISTING HANDHOLE TO BE REMOVED COMPLETE.
- (D) EXISTING CONDUIT AND CONDUCTORS TO BE CUT OFF BELOW GRADE AND ABANDONED IN PLACE.
- (E) REMOVE EXISTING CONDUCTORS BACK TO NEAREST JUNCTION BOX OR LIGHTING UNIT TO REMAIN. CUT OFF CONDUIT BELOW GRADE AND ABANDON IN PLACE.
- (F) UNIVERSITY OF ILLINOIS EXISTING LIGHTING EQUIPMENT AND SYSTEM TO REMAIN AS PRESENTLY INSTALLED.
- (G) EXISTING LIGHTING UNIT (POLE AND LUMINAIRE) TO REMAIN.
- (H) EXISTING CONDUIT AND CONDUCTORS TO REMAIN.
- (I) EXISTING JUNCTION BOX TO BE ADJUSTED AND REMAIN IN SERVICE.
- (J) RELOCATE EXISTING LIGHTING UNIT. PROVIDE NEW CONCRETE FOUNDATION TO MATCH EXISTING CONCRETE FOUNDATION. EXTEND ROADWAY LIGHTING CIRCUIT (CONDUIT AND WIRING) TO NEW LOCATION TO MAINTAIN SERVICE TO RELOCATED LIGHTING UNIT. NEW LOCATION TO BE VERIFIED BY ENGINEER IN THE FIELD.
- (K) (L) (M) (N) (O) (P) (R) (T) NOT USED



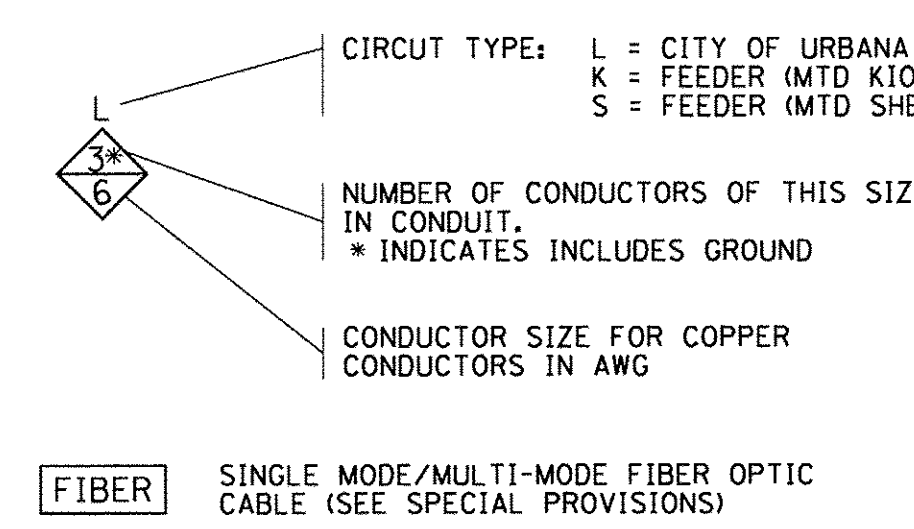


CIRCUIT DESIGNATION SCHEME

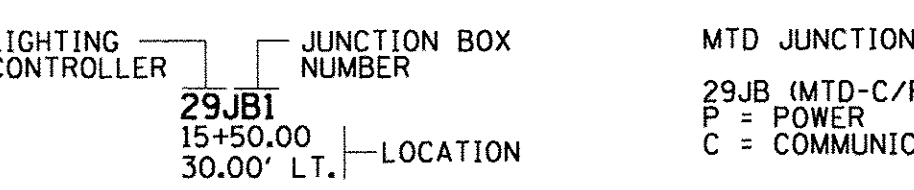


NOTE:
THE CONTRACTOR SHALL PROVIDE A PERMANENT STICKER INSIDE HAND HOLE OF EACH LIGHT POLE INDICATING THE LIGHTING CONTROLLER, CIRCUIT AND POLE NUMBER.

CONDUCTOR SYMBOL SCHEME



JUNCTION BOX DESIGNATION SCHEME

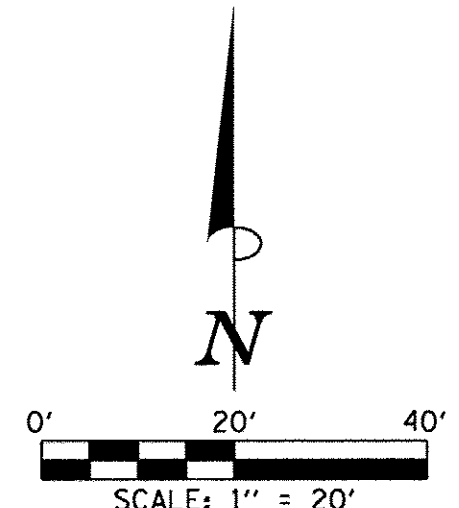


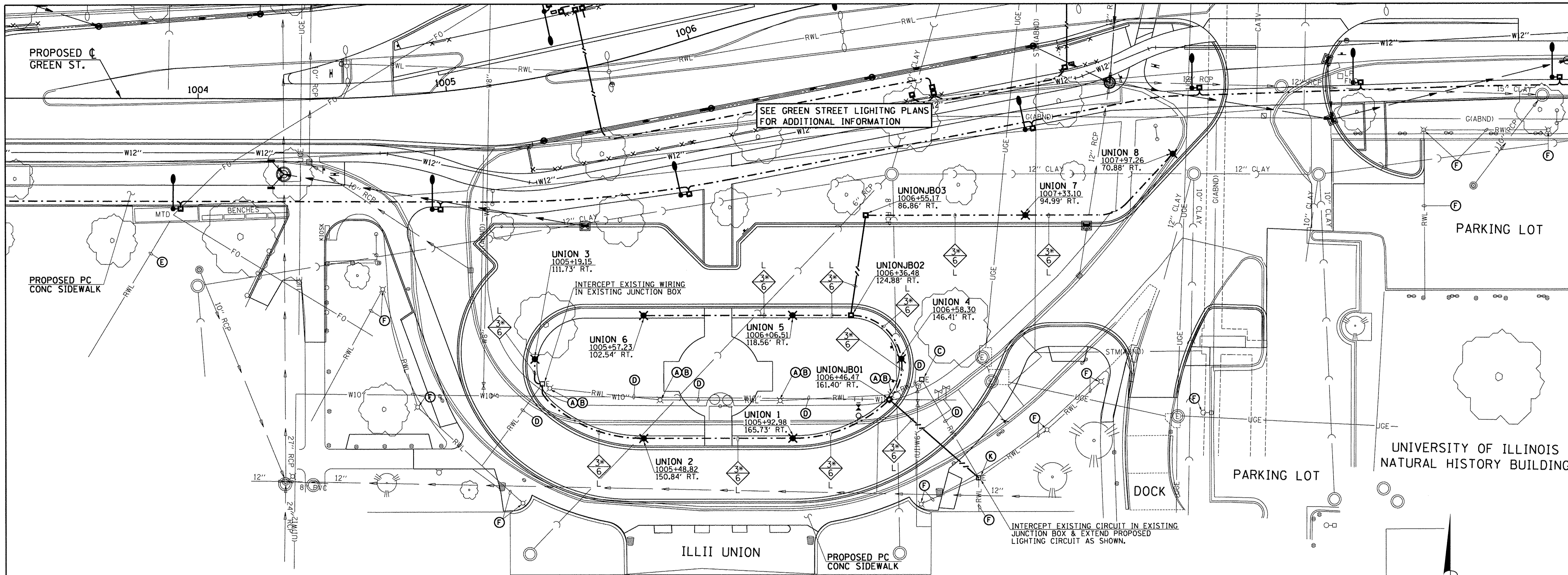
ROADWAY LIGHTING LEGEND

EXISTING	PROPOSED	DESCRIPTION
		ROADWAY LED LUMINAIRE ("L#" INDICATES LUMINAIRE TYPE, SEE SPECIAL PROVISIONS FOR DESCRIPTION OF LUMINAIRE TYPE). LUMINAIRE MOUNTED ON 10' DAVIT ARM MOUNTED ON 30' ALUMINUM LIGHT POLE MOUNTED FOUNDATION ("H" INDICATES HELIX FOUNDATION, "C" INDICATES CONCRETE FOUNDATION).
		PEDESTRIAN LED LUMINAIRE, LUMINAIRE MOUNTED ON A DIRECTLY IMBEDDED 13' PRE-STRESSED CONCRETE LIGHT POLE. LUMINAIRE SHALL BE CONNECTED TO U OF I FACILITIES AND WILL BE MAINTAINED BY THE U OF I.
		TWO (2) ROADWAY LED LUMINAIRE ("L#" INDICATES LUMINAIRE TYPE, SEE SPECIAL PROVISIONS FOR DESCRIPTION OF LUMINAIRE TYPE). LUMINAIRE MOUNTED ON TWIN 10' DAVIT ARMS MOUNTED ON 30' ALUMINUM LIGHT POLE MOUNTED ON CONCRETE TYPE FOUNDATION.
		ROADWAY LED LUMINAIRE (SEE SPECIAL PROVISIONS FOR DESCRIPTION OF LUMINAIRE TYPE). LUMINAIRE MOUNTED ON 15' ALUMINUM TRUSS ARM MOUNTED ON 35' TRAFFIC SIGNAL MAST ARM POLE. TRUSS ARM, POLE AND FOUNDATION TO BE PROVIDED AND INSTALLED AS PART OF THE TRAFFIC SIGNAL INSTALLATION. COORDINATE LUMINAIRE INSTALLATION WITH POLE AND SIGNAL INSTALLATION.
		ROADWAY LIGHTING UNIT WITH LUMINAIRE AND POLE
		PORTLAND CEMENT CONCRETE HANDHOLE
		PROPOSED LIGHTING CONTROLLER (# AS NOTED)
		COMPOSITE TYPE JUNCTION BOX, SPECIAL (12"W x 12"L x 12"D)
		GULFBOX JUNCTION, COMPOSITE CONCRETE (13"W x 24"L x 12"D)
		2" PVC CONDUIT (SCHEDULE 80), AUGURED
		2" PVC CONDUIT (SCHEDULE 40), TRENCHED
		UNDERGROUND CONDUIT
		OVERHEAD ELECTRICAL CONDUCTORS
		ROADWAY LIGHTING CONDUIT/CONDUCTORS

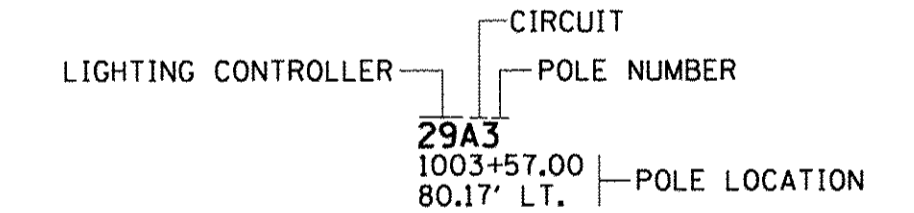
KEYED NOTES (THIS SHEET)

- (G) EXISTING LIGHTING UNIT (POLE AND LUMINAIRE) TO REMAIN.
- (H) EXISTING CONDUIT AND CONDUCTORS TO REMAIN.
- (K) EXISTING HANDHOLE TO REMAIN.
- (A) (B) (C) (D) (E) (F) (I) (J) (L) (M) (N) (O) (P) (R) (S) (T) NOT USED



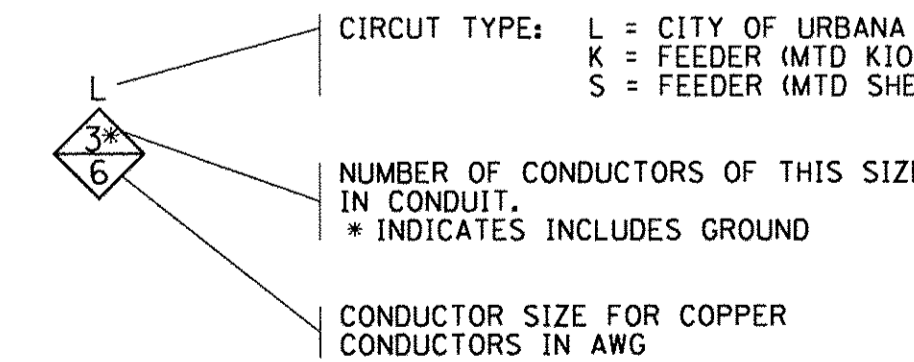


CIRCUIT DESIGNATION SCHEME

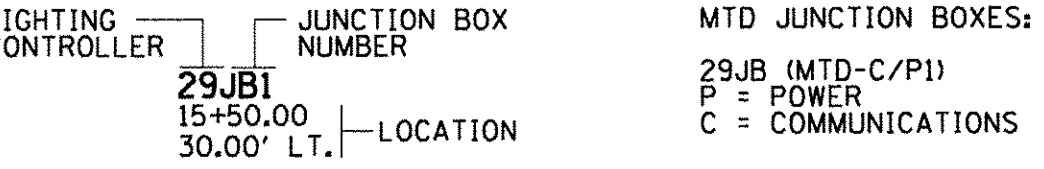


NOTE:
THE CONTRACTOR SHALL PROVIDE A PERMANENT STICKER INSIDE HAND HOLE OF EACH LIGHT POLE INDICATING THE LIGHTING CONTROLLER, CIRCUIT AND POLE NUMBER.

CONDUCTOR SYMBOL SCHEME



JUNCTION BOX DESIGNATION SCHEME



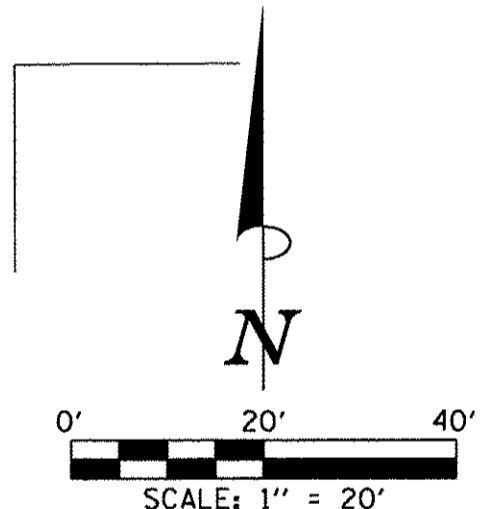
ROADWAY LIGHTING LEGEND

EXISTING	PROPOSED	DESCRIPTION
		ROADWAY LED LUMINAIRE ("L#" INDICATES LUMINAIRE TYPE, SEE SPECIAL PROVISIONS FOR DESCRIPTION OF LUMINAIRE TYPE). LUMINAIRE MOUNTED ON 10' DAVIT ARM MOUNTED ON 30' ALUMINUM LIGHT POLE MOUNTED FOUNDATION ("H" INDICATES HELIX FOUNDATION, "C" INDICATES CONCRETE FOUNDATION).
		PEDESTRIAN LED LUMINAIRE, LUMINAIRE MOUNTED ON A DIRECTLY IMBEDDED 13' PRE-STRESSED CONCRETE LIGHT POLE. LUMINAIRE SHALL BE CONNECTED TO U OF I FACILITIES AND WILL BE MAINTAINED BY THE U OF I.
		TWO (2) ROADWAY LED LUMINAIRES ("L#" INDICATES LUMINAIRE TYPE, SEE SPECIAL PROVISIONS FOR DESCRIPTION OF LUMINAIRE TYPE). LUMINAIRES MOUNTED ON TWIN 10' DAVIT ARMS MOUNTED ON 30' ALUMINUM LIGHT POLE MOUNTED ON CONCRETE TYPE FOUNDATION.
		ROADWAY LED LUMINAIRE (SEE SPECIAL PROVISIONS FOR DESCRIPTION OF LUMINAIRE TYPE). LUMINAIRE MOUNTED ON 15' ALUMINUM TRUSS ARM MOUNTED ON 35' TRAFFIC SIGNAL MAST ARM POLE. TRUSS ARM, POLE AND FOUNDATION TO BE PROVIDED AND INSTALLED AS PART OF THE TRAFFIC SIGNAL INSTALLATION. COORDINATE LUMINAIRE INSTALLATION WITH POLE AND SIGNAL INSTALLATION.
		ROADWAY LIGHTING UNIT WITH LUMINAIRE AND POLE
		PORTLAND CEMENT CONCRETE HANDHOLE
		PROPOSED LIGHTING CONTROLLER (* AS NOTED)
		COMPOSITE TYPE JUNCTION BOX, SPECIAL (12"W x 12"L x 12"D)
		GULFBOX JUNCTION, COMPOSITE CONCRETE (13"W x 24"L x 12"D)
		2" PVC CONDUIT (SCHEDULE 80), AUGURED
		2" PVC CONDUIT (SCHEDULE 40), TRENCHED
		UNDERGROUND CONDUIT
		OVERHEAD ELECTRICAL CONDUCTORS
		ROADWAY LIGHTING CONDUIT/CONDUCTORS

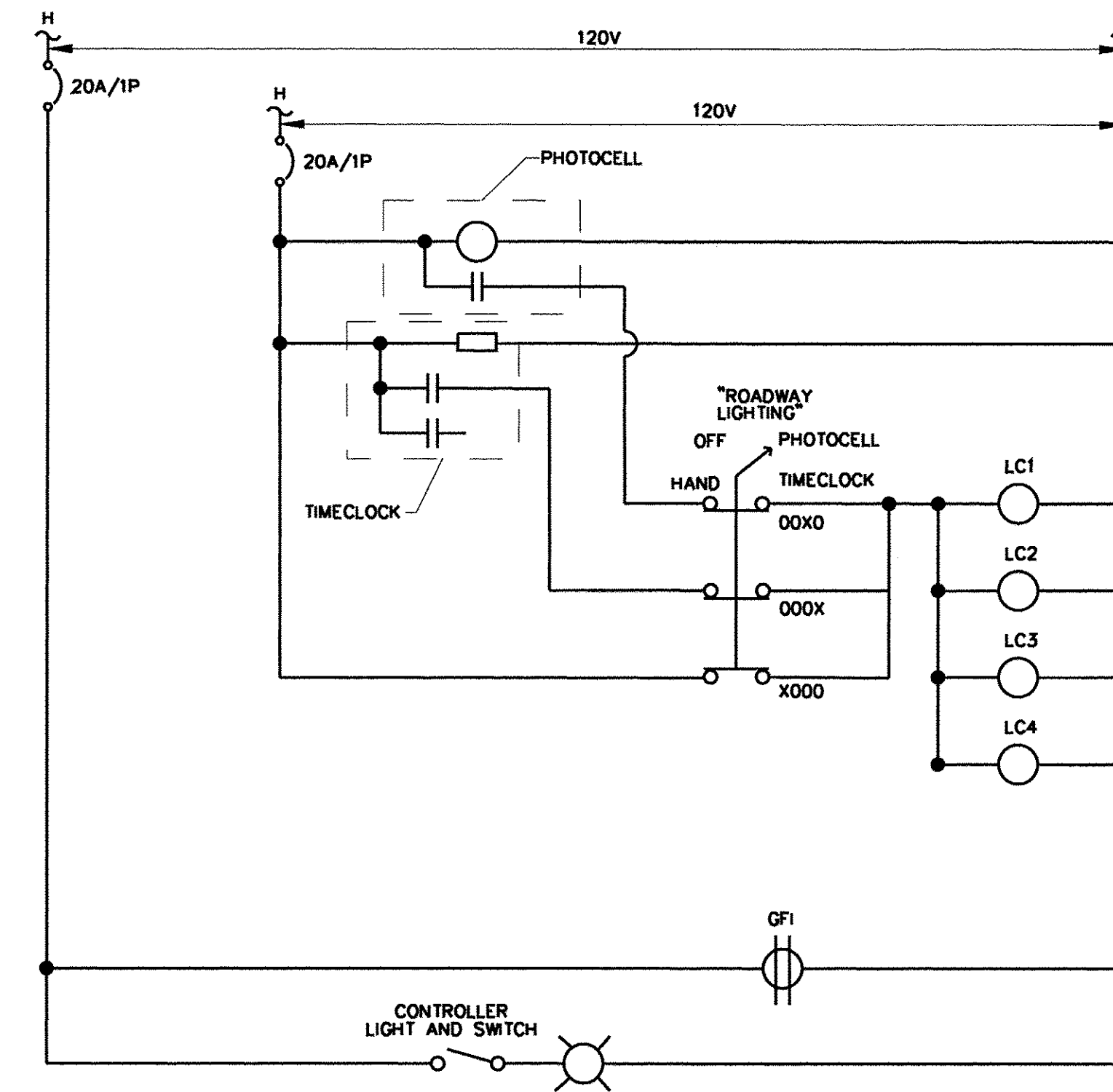
KEYED NOTES (THIS SHEET)

- (A) EXISTING LIGHTING UNIT (POLE AND LUMINAIRE) TO BE REMOVED COMPLETE.
- (B) EXISTING CONCRETE FOUNDATION TO BE REMOVED COMPLETE.
- (C) EXISTING JUNCTION BOX TO BE REMOVED COMPLETE.
- (D) EXISTING CONDUIT AND CONDUCTORS TO BE CUT OFF BELOW GRADE AND ABANDONED IN PLACE.
- (E) REMOVE EXISTING CONDUCTORS BACK TO NEAREST JUNCTION BOX OR LIGHTING UNIT TO REMAIN. CUT OFF CONDUIT BELOW GRADE AND ABANDON IN PLACE.
- (F) UNIVERSITY OF ILLINOIS EXISTING LIGHTING EQUIPMENT AND SYSTEM TO REMAIN AS PRESENTLY INSTALLED.
- (I) INTERCEPT EXISTING CONDUIT AND EXTEND TO NEW JUNCTION BOX.
- (K) EXISTING HANDHOLE TO REMAIN.

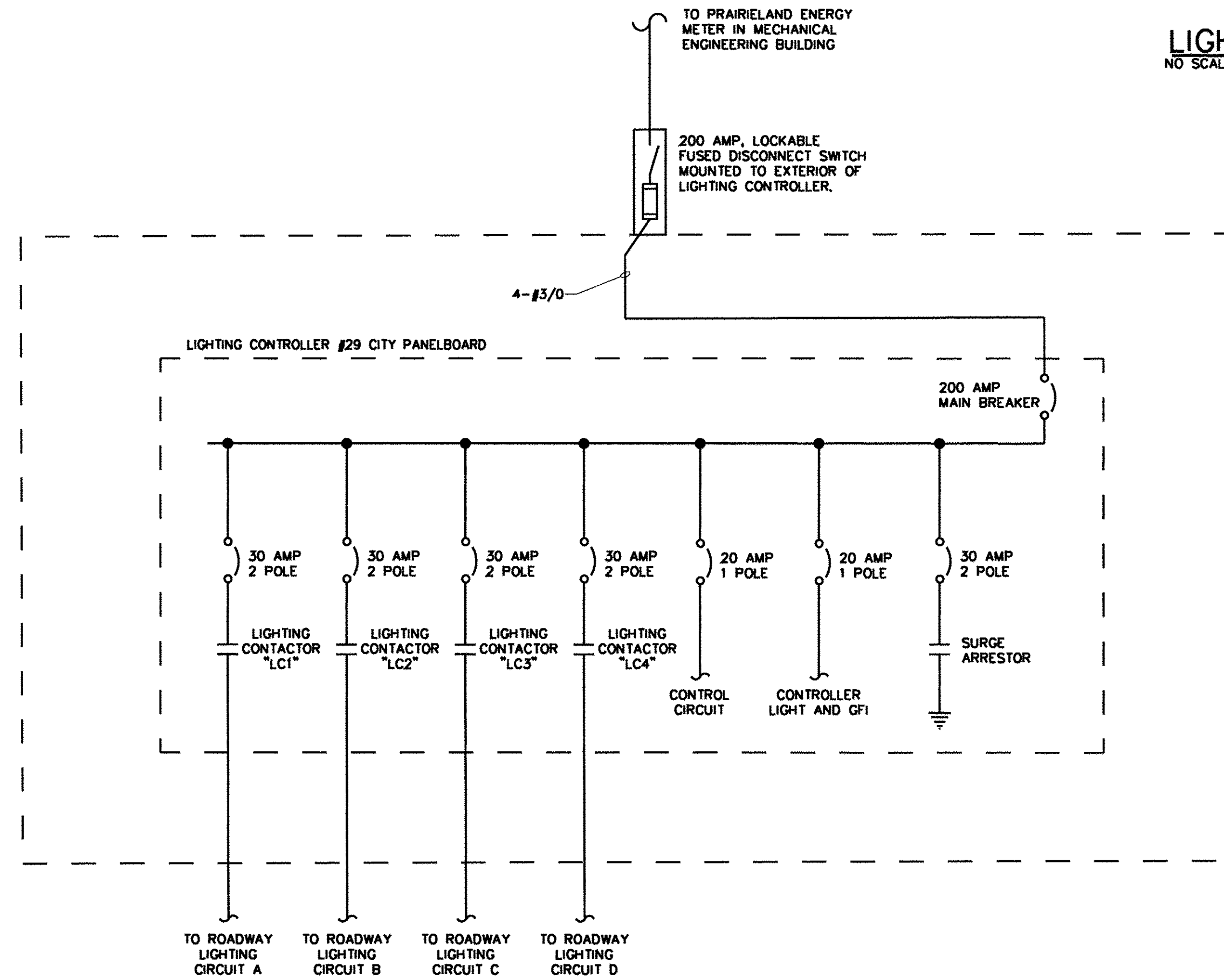
(G) (H) (J) (L) (M) (N) (O) (P) (R) (S) (T) NOT USED



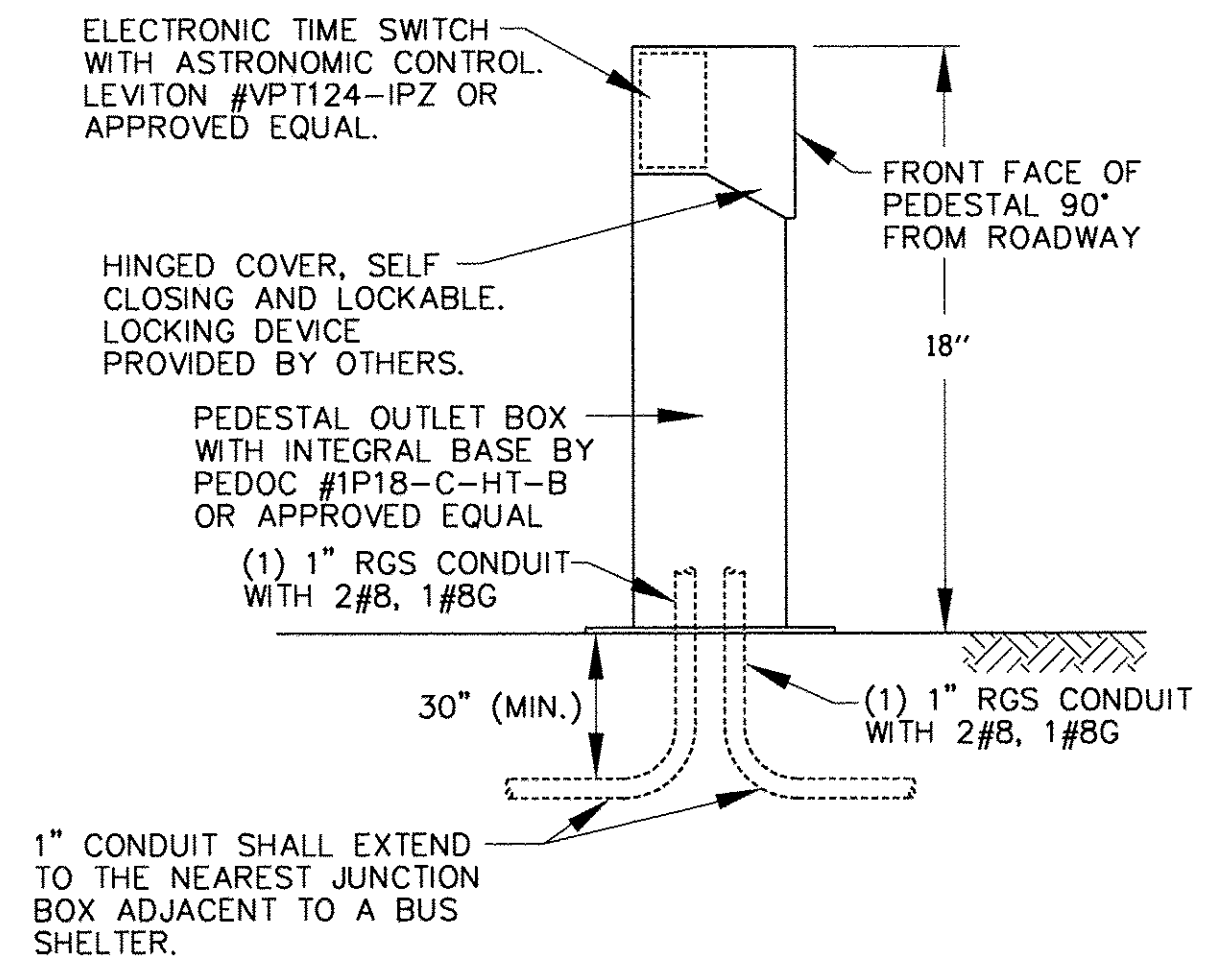
LIGHTING CONTROLLER #29 CITY PANELBOARD SCHEDULE													
PANELBOARD CITY LIGHTING			MAIN 200 AMP CIRCUIT BREAKER			LOCATION: GREEN ST. STA. 1012+50.00, 66.00' LT.							
VOLTAGE 120/208			BUS RATING 200 AMPS										
PHASE/WIRE 3PH/4W			MOUNTING INTERIOR ONLY										
DESCRIPTION	CKT. NO.	LOAD (VA)			AMPS/POLES	CKT. BKR.	CKT. BKR.	AMPS/POLES	LOAD (VA)			CKT. NO.	DESCRIPTION
		A	B	C					A	B	C		
SURGE ARRESTER	1	0			30/3			30/2	1852			2	STREET LIGHTING CIRCUIT A
	3	0							1852			4	STREET LIGHTING CIRCUIT B
	5		0							1474		6	STREET LIGHTING CIRCUIT C
CONTROLLER LIGHT & GFI	7	250			20/1			30/2	1474			8	STREET LIGHTING CIRCUIT D
CONTROLLER CIRCUIT	9		250		20/1			30/2		1153		10	SPACE
SPACE	11		0							1153		12	SPACE
SPACE	13	0						30/2	1168			14	SPACE
SPACE	15		0						1168			16	SPACE
SPACE	17		0							0		18	SPACE
SUBTOTAL "A"		250							4494				
SUBTOTAL "B"			250							4173			
SUBTOTAL "C"				0							2627		
TOTAL VOLT-AMPERES A,B & C: 11,794													



LIGHTING CONTROLLER #29 CONTROL DIAGRAM
NO SCALE

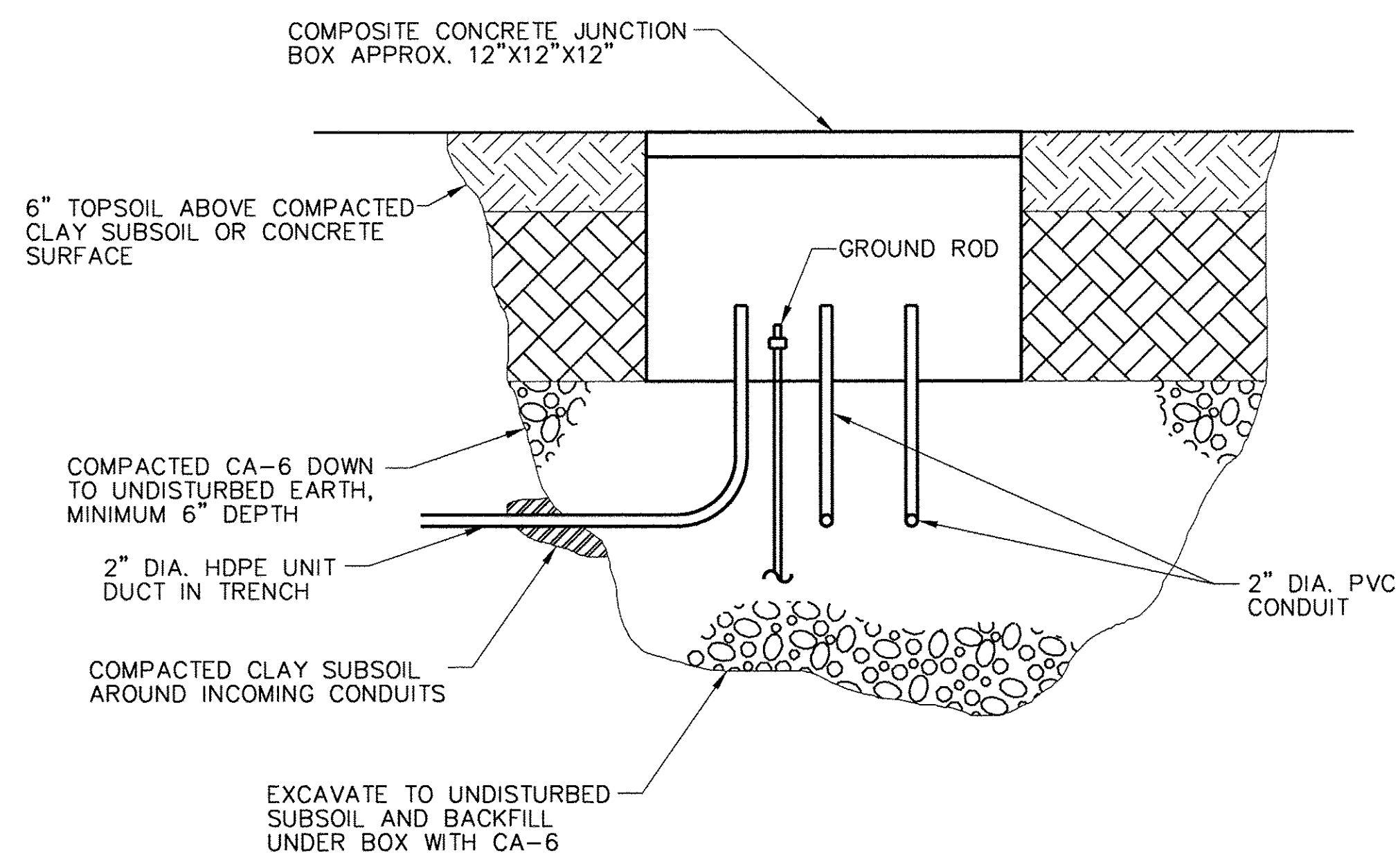


LIGHTING CONTROLLER #29 ELECTRICAL ONE-LINE DIAGRAM
NO SCALE



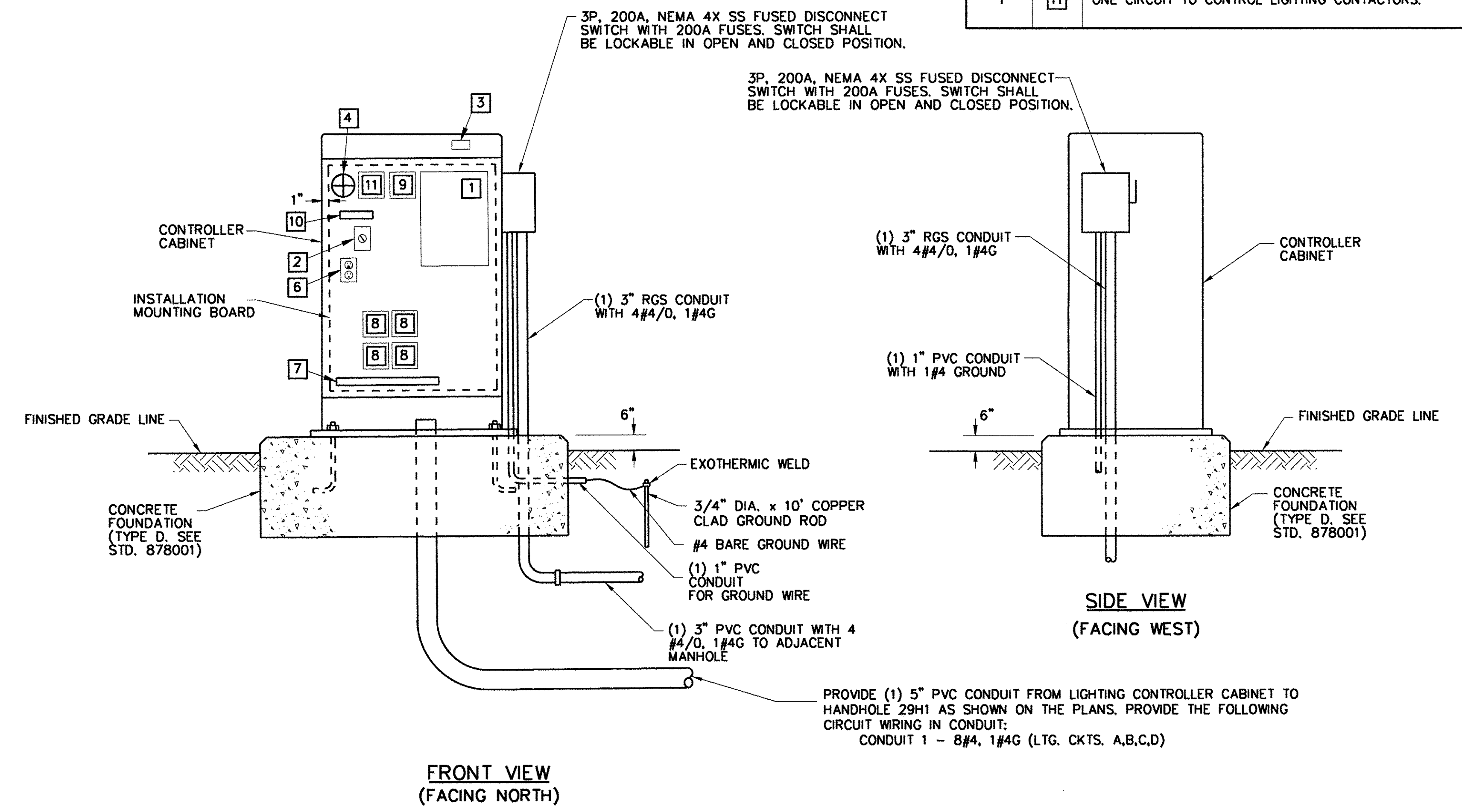
- NOTES**
1. THE PEDESTAL OUTLET BOX WITH BASE PLATE SHALL BE ANCHORED TO PC CONCRETE SIDEWALK PER THE MANUFACTURERS RECOMMENDATIONS AND TO THE SATISFACTION OF THE ENGINEER.
 2. THE 1" CONDUITS SHALL EXTEND TO THE NEAREST JUNCTION BOX ADJACENT TO A BUS SHELTER.
 3. THE LOCATION OF THE PEDESTAL IS CONSIDERED APPROXIMATE. ACTUAL LOCATION WILL BE DETERMINED IN FIELD.
 4. THE ELECTRONIC TIME SWITCH PEDESTAL AND ASSOCIATED WORK INCLUDING THE CONDUIT AND CABLE AS SHOWN SHALL BE CONSIDERED INCLUDED IN THE CONTRACT UNIT PRICE EACH FOR ELECTRIC SERVICE INSTALLATION, SPECIAL. NO ADDITIONAL COMPENSATION WILL BE ALLOWED.

ELECTRONIC TIME SWITCH PEDESTAL DETAIL
NO SCALE



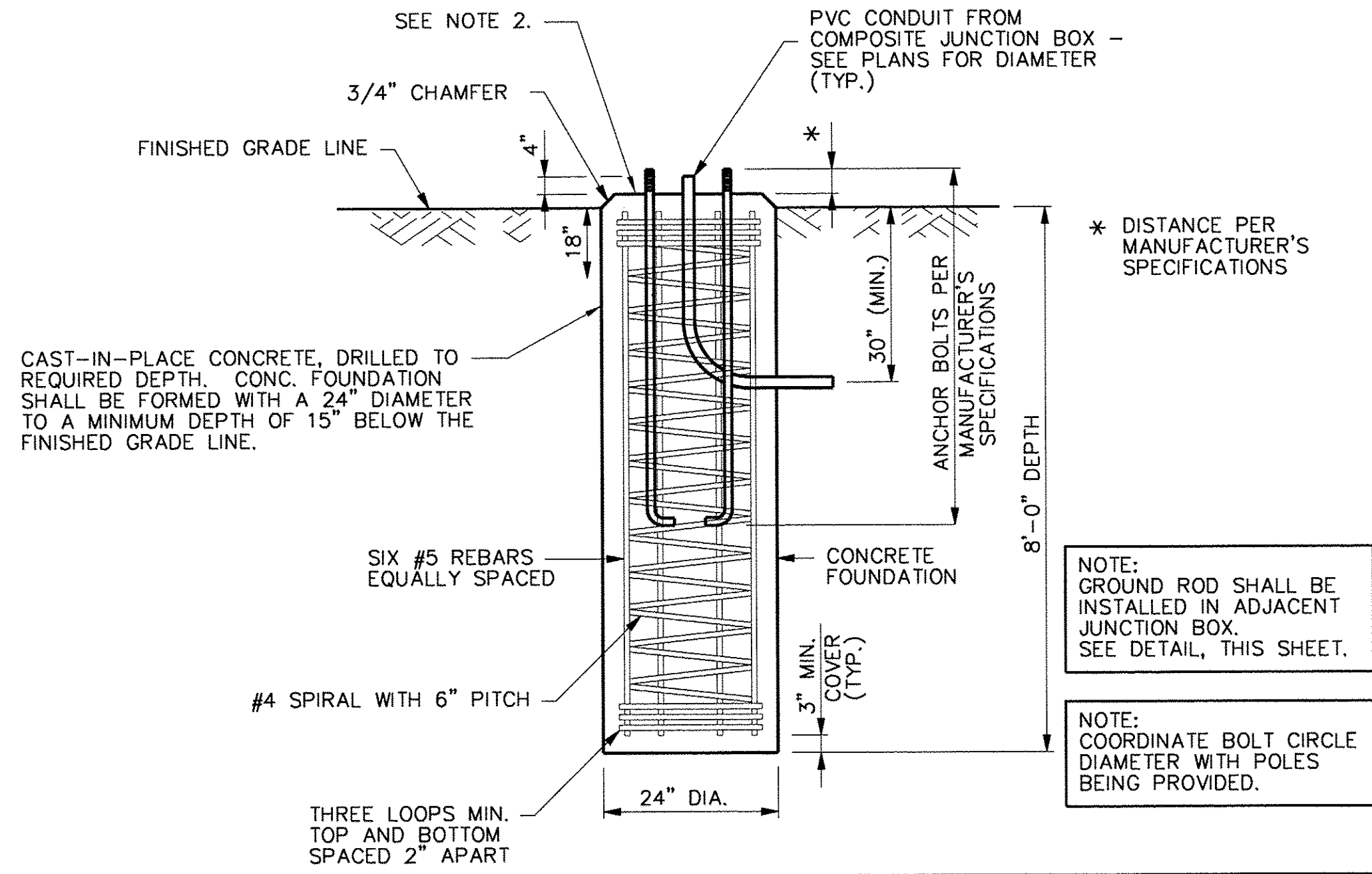
JUNCTION BOX INSTALLATION DETAIL
NO SCALE

LIGHTING CONTROLLER #29 BILL OF MATERIALS		
QTY	ITEM	DESCRIPTION
1	1	200A, 120/208V, 3Ø, 42 CIRCUIT PANELBOARD (INTERIOR ONLY, NO PANEL TUB), QUANTITIES OF BREAKERS AS SHOWN IN PANELBOARD SCHEDULES.
1	2	HAND-OFF-PHOTO-TIMER SELECTOR SWITCH WITH LEGEND PLATE.
1	3	120 VAC, 20A, 1P PLUNGERTYPE SWITCH FOR CONTROLLER LIGHT, DOOR ACTIVATED.
1	4	INCANDESCENT LIGHT FIXTURE WITH CLEAR GLOBE AND PROTECTIVE GUARD. PROVIDE 60WATT, 130VAC LAMP.
	5	ITEM NOT USED
1	6	DUPLEX RECEPTACLE, 120VAC, 20A, GFCI TYPE.
1	7	TERMINAL STRIPS. QUANTITY AS REQUIRED FOR INCOMING WIRING PLUS 100% SPARE TERMINALS. PROVIDE SEPARATE TERMINAL STRIPS FOR POWER, NEUTRAL AND GROUND WIRING AS REQUIRED.
4	8	LIGHTING CONTACTOR (LC1, LC2, LC3, LC4), 30A, 240VAC, 4 POLE, 120VAC ELECTRICALLY HELD COIL. PROVIDE SPACE FOR ADDITIONAL CONTACTORS.
1	9	SURGE ARRESTOR.
1	10	CONTROL WIRING TERMINAL BLOCK.
1	11	ASTRONOMICAL TIME CLOCK WITH BATTERY MEMORY BACKUP, ONE CIRCUIT TO CONTROL LIGHTING CONTACTORS.



CONTROL CABINET, FOUNDATION, AND DIAGRAMMATIC ASSEMBLY DETAIL
LIGHTING CONTROLLER #29
NO SCALE

Clark Dietz ENGINEERS

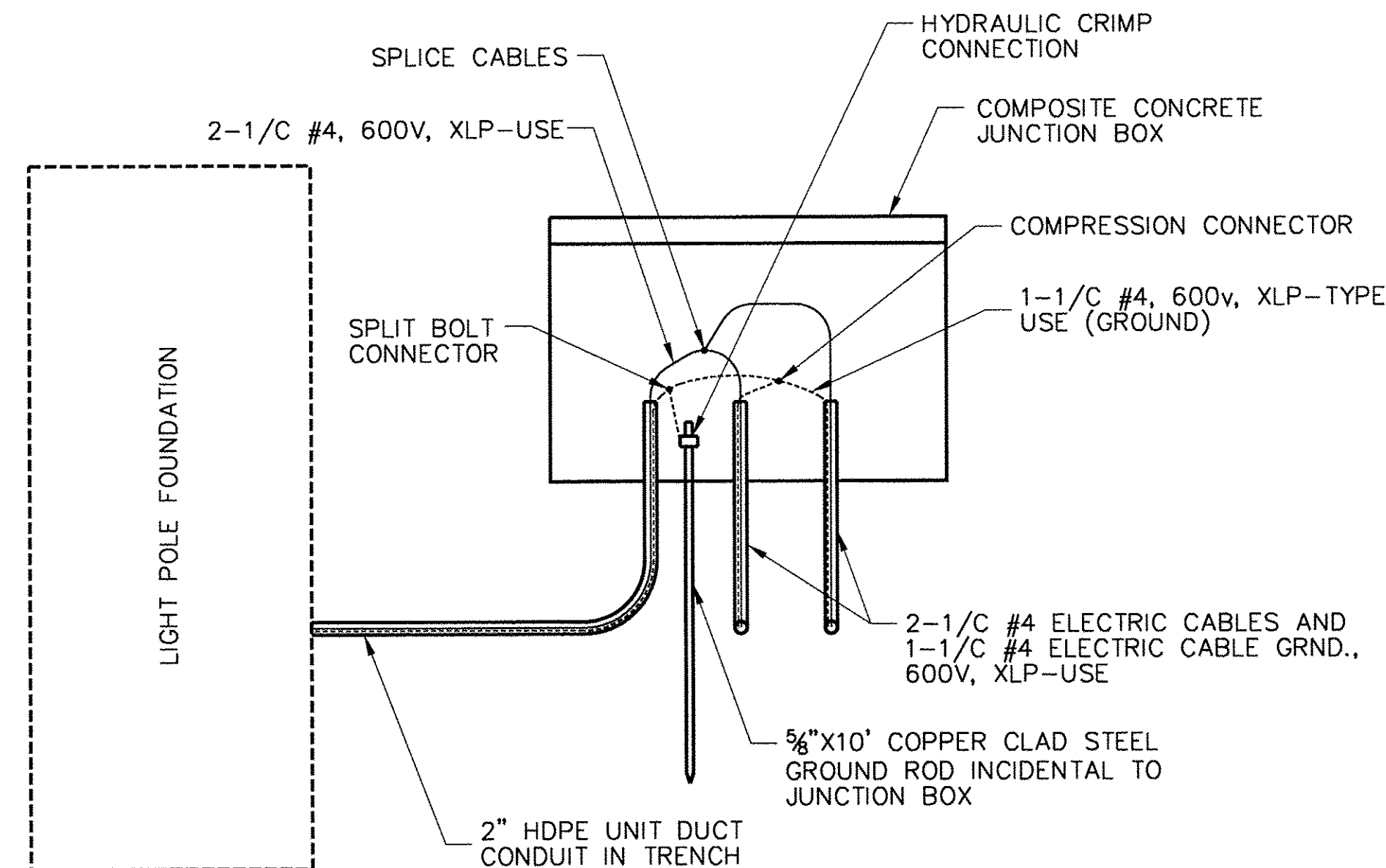


NOTES

1. THE CONTRACTOR SHALL USE CARE IN CONSTRUCTING THE CONCRETE FOUNDATIONS FOR THE LIGHT POLES THAT ARE NEAR TRENCH EXCAVATIONS FOR BOX CULVERTS OR STORM SEWERS. THE TRENCH BACKFILL MATERIAL OR CONTROLLED LOW-STRENGTH MATERIAL SHALL BE BLOCKED OUT AT THE CONCRETE FOUNDATION LOCATIONS TO ALLOW FOR THEIR LATER CONSTRUCTION AS DIRECTED BY THE ENGINEER.
2. THE TOP OF CONCRETE FOUNDATION SHALL BE 4" ABOVE GRADE IN TURF AREAS OR 1" ABOVE GRADE IN PAVED AREAS.

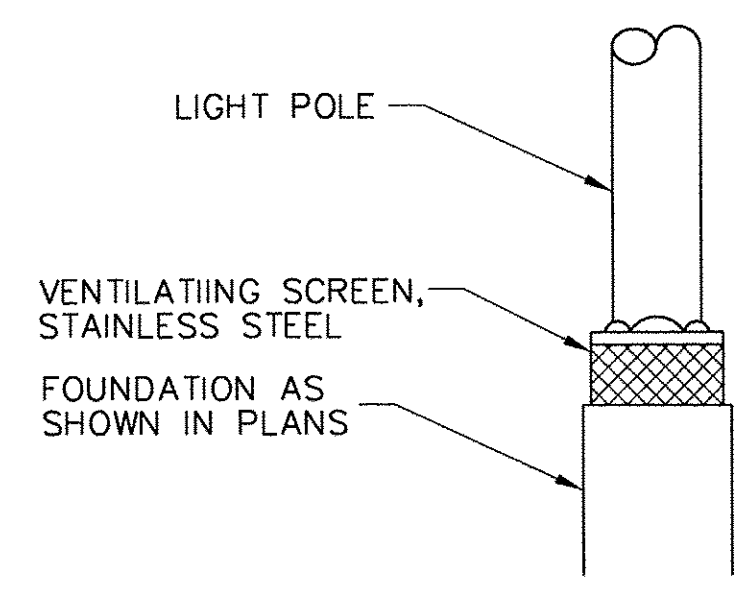
LIGHT POLE CONCRETE FOUNDATION DETAIL

NO SCALE



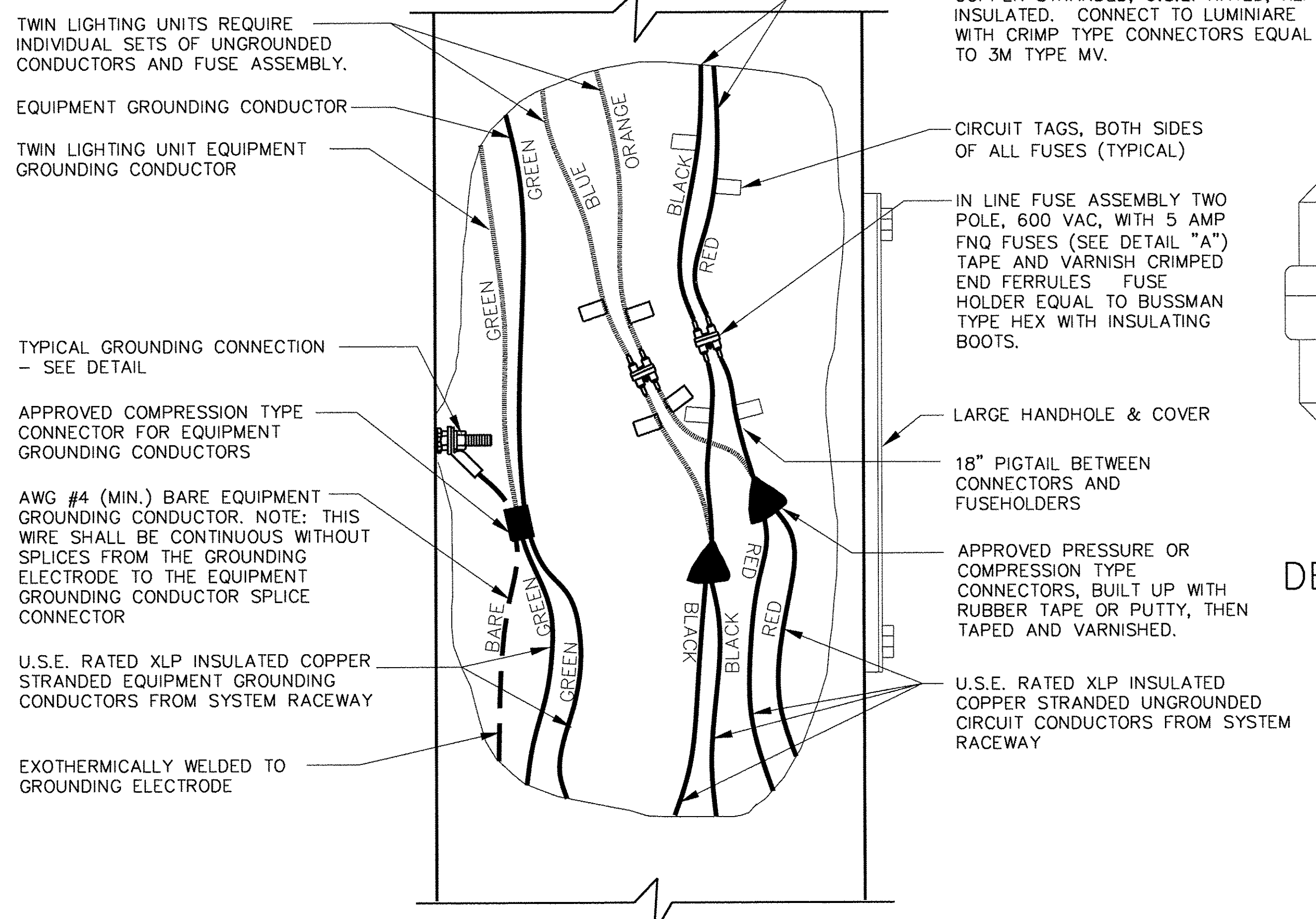
GROUNDING ROD INSTALLATION DETAIL

NO SCALE



POLE FOUNDATION DETAIL

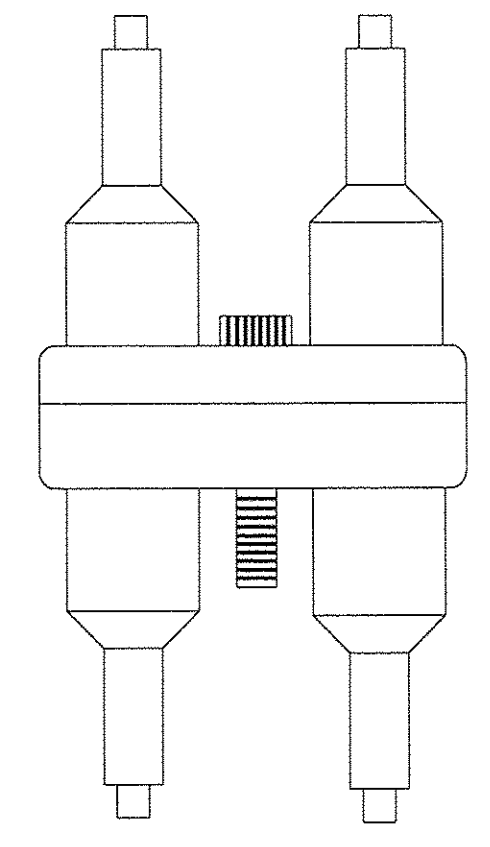
NO SCALE



2 WIRE - 240 VAC (UNGROUNDING CONDUCTORS)

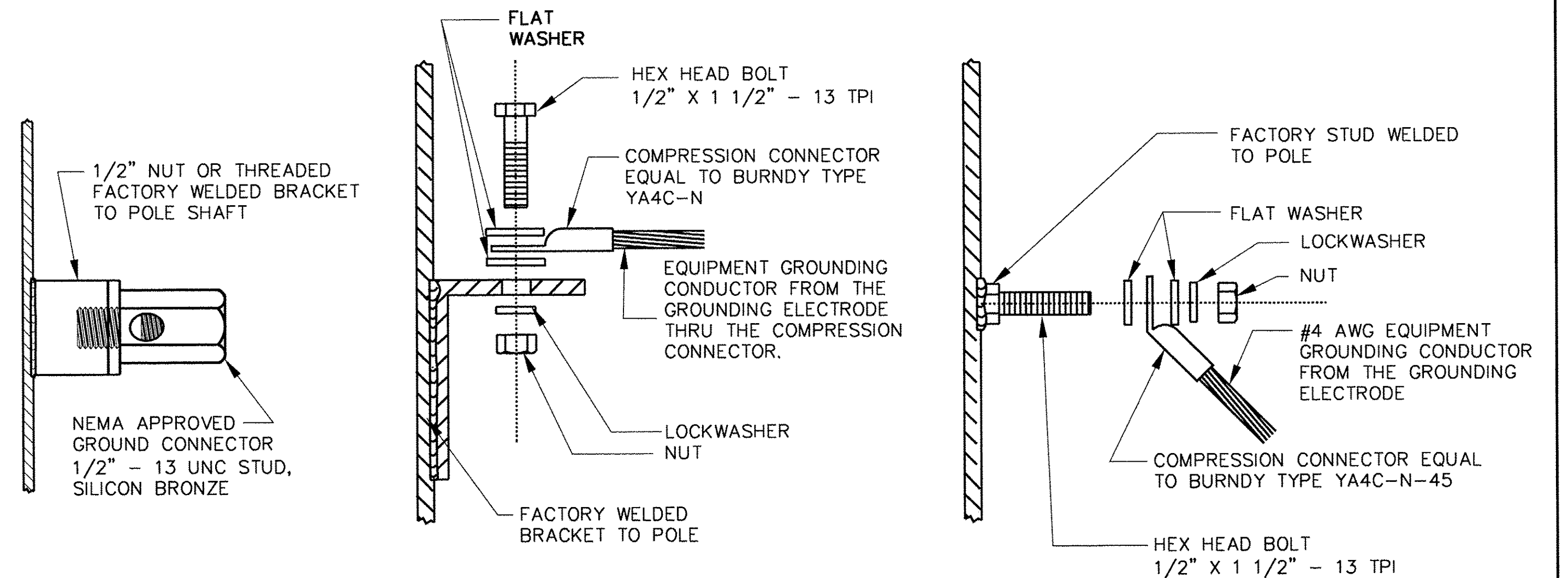
WITH EQUIPMENT GROUNDING CONDUCTOR

NO SCALE



DETAIL "A"

DOUBLE POLE

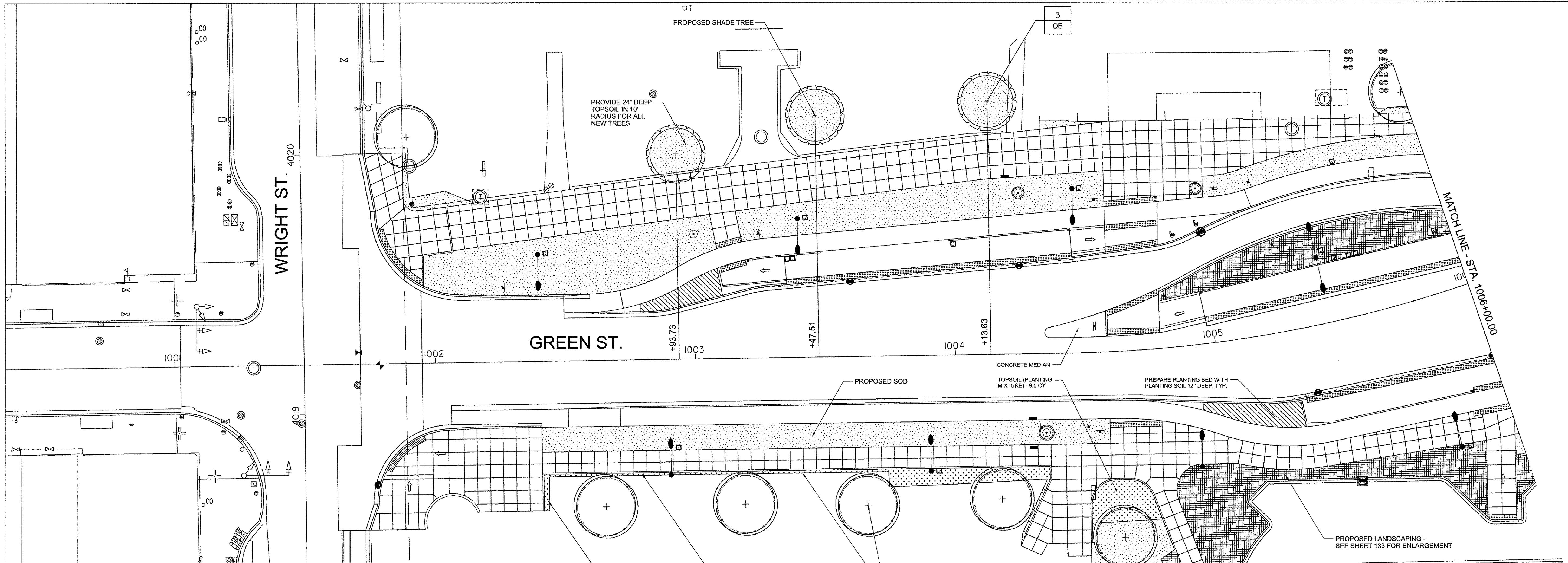


NOTE: NUT, BOLT, AND WASHERS SHALL BE STAINLESS STEEL

TYPICAL GROUNDING CONNECTIONS

NO SCALE

FILE NAME = P:\0010720_MCORE\Plans\Sheets\Project1\P1-sht-lighting.dgn	DESIGNED - M.L.S.	REVISED - M.L.S.	STATE OF ILLINOIS DEPARTMENT OF TRANSPORTATION	ROADWAY LIGHTING PLANS - GREEN STREET		F.A.U. RTE.	SECTION	COUNTY	TOTAL SHEETS	SHEET NO.
	DRAWN - L.F.D.	REVISED - R.J.H.				15-00304-01-PV	CHAMPAIGN	236	126	
PLOT DATE = 8/25/2016 1:39:24 PM	CHECKED - L.M.Z.	REVISED - S.M.W.	SCALE: 1"=20'	SHEET NO. 126 OF 236 SHEETS	STA. 1004+00 TO STA. 1009+50	MCORE PROJECT 1		CONTRACT NO. 91539		
DATE - MARCH 2016	REVISED - AUGUST 2016	JOB NO. C-95-305-16				ILLINOIS FED. AID PROJECT T16-5181(057)				



GENERAL NOTES:

- SEE SHEETS 133 FOR PLANTER ENLARGEMENTS.
- COMPLY WITH ALL APPLICABLE FEDERAL, STATE AND LOCAL CODES AND ORDINANCES FOR ALL WORK AND OPERATIONS.
- KEEP ALL AREAS CLEAN, NEAT AND ORDERLY AT ALL TIMES, CLEAR OF RUBBISH AND DEBRIS. LEGALLY DISPOSE OF ALL MATERIALS REMOVED FROM THE SITE.
- PROTECT STRUCTURES, UTILITIES, SIDEWALKS, PAVEMENTS, FENCING, FURNISHINGS AND PLANTINGS, TREES AND LAWNS FROM DAMAGE CAUSED BY SETTLEMENT, LATERAL MOVEMENT, UNDERMINING, WASHOUTS, AND OTHER HAZARDS CREATED BY SITE IMPROVEMENTS. IF ANY DAMAGE OCCURS, REPAIR TO ORIGINAL CONDITION AT NO ADDITIONAL COST.
- PROTECT AND/OR RESTORE EXISTING LAWN WITH 4" DEPTH TOPSOIL AND NEW SOD, INCLUDING BUT NOT LIMITED TO ALL AREAS WITHIN CONSTRUCTION LIMITS.
- VERIFY DIMENSIONS IN FIELD.
- COORDINATE WORK WITH ALL OTHER TRADES.

PAVING NOTES:

- INSTALL ALL PAVING TO BE SMOOTH AND CONTINUOUS WITHOUT KINKS OR ABRUPT CHANGES.
- MATCH LINE AND GRADE OF PAVEMENT, LAWN AND PLANTING AREAS TO EXISTING ADJACENT AREAS.
- GRADE ALL PAVED SURFACES TO A MAXIMUM 5% SLOPE WITH A MAXIMUM CROSS SLOPE OF 2% AND A MINIMUM SLOPE OF 0.5%.
- ADJUST UTILITY STRUCTURES TO MEET FINISH GRADE.
- LAYOUT CONTROL JOINTS AT A MAX 6' O.C. AND EXPANSION JOINTS AT A MAX 30' O.C. UNLESS OTHERWISE NOTED. IF PAVEMENT IS ARCED, LAYOUT CONTROL JOINTS EQUALLY ALONG LENGTH OF ARC AND PERPENDICULAR TO CENTERLINE OF ARC UNLESS OTHERWISE NOTED. CONTROL JOINTS ARE TO BE TOOLED WITH A LIGHT BROOM FINISH.

FURNISHING NOTES:

- CONFIRM ALL FURNISHING QUANTITIES AND DIMENSIONS WITH ENGINEER.
- FOR FURNISHING DETAILS, SEE SHEETS 136
- PROVIDE STAINLESS STEEL TAMPER PROOF FASTENERS.

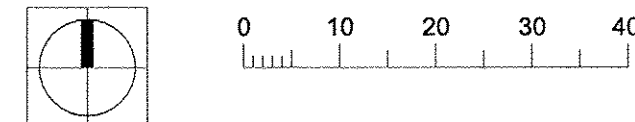
LANDSCAPE NOTES:

- PLANT ALL MIXED PLANTING BEDS AS SHOWN ON PLANS.
- CONTRACTOR IS RESPONSIBLE FOR RETURNING TO PLANT FALL BULBS IF BULB PLANTING SEASON IS OVER AT TIME OF PROPOSED INSTALLATION, COORDINATE WITH ENGINEER.
- FOR LANDSCAPE DETAILS, SEE SHEET 136
- ALL PLANTINGS SHALL FOLLOW IDOT BUREAU OF DESIGN & ENVIRONMENT MANUAL - CHAPTER 59 - LANDSCAPE DESIGN AND EROSION CONTROL 59-7.09 PLANTING IN URBANIZED AREA FOR SIGHT DISTANCES.
- ALL AREAS TO BE LANDSCAPED SHALL BE EXCAVATED TO THE DEPTH APPROPRIATE FOR THE PROPOSED PLANTINGS. EXCAVATION FOR LANDSCAPE AND SOD BED PREPARATION SHALL REMAIN OUTSIDE OF TREE PROTECTION ZONES OF EXISTING TREES. TREE PROTECTION ZONE SHOULD BE 1.5 FEET FROM TRUNK FOR EVERY 1" IN TRUNK DIAMETER BUT MAY BE REDUCED TO 1 FOOT FOR EVERY 1" TRUNK DIAMETER WITH APPROVAL OF THE ENGINEER OR EXTENUATING CIRCUMSTANCES.
- ANY AREAS OUTSIDE OF THE LANDSCAPE BEDS THAT ARE DISTURBED SHALL BE REPLACED IN KIND.
- NEW TREES TO BE PLANTED IN PROPOSED LANDSCAPE AREAS SHALL BE PLANTED AFTER SOIL/BED PREPARATION IS COMPLETE.

LEGEND

- PROTECT EXISTING TREE TO REMAIN WITH TEMPORARY FENCE - 624 LF
- PROPOSED SHADE TREE WITH 24" DEEP TOPSOIL IN 10' RADIUS FOR ALL NEW TREES
- TOPSOIL (PLANTING MIXTURE) - VARIABLE DEPTH, SEE CIVIL CROSS SECTIONS
- PERENNIAL / GROUND COVER BED WITH 12" DEEP PLANTING SOIL
- PROPOSED SODDING, SALT TOLERANT - WITH 4" DEPTH TOPSOIL
- PROPOSED LANDSCAPING - WITH 12" DEPTH PLANTING SOIL SEE SHEET 133 FOR ENLARGEMENT PLAN
- PREPARE PLANTING BED WITH PLANTING SOIL 12" DEEP AND 3" DEEP MULCH
- PLANT QUANTITY
- PLANT CODE

1 LANDSCAPE PLAN 1
1" = 20'-0"



PLANT SCHEDULE							
CODE	PAY ITEM	QUANTITY	BOTANICAL NAME	COMMON NAME	SIZE	ROOT	REMARKS
AS	A2001722	1	Acer saccharum 'Baileta'	Fall Fiesta Sugar Maple	2.5" cal	B&B	matching heads
QB	A2008524	3	Quercus bicolor	Swamp White Oak	3"-4" cal	B&B	matching heads

LAYOUT	
DRAWN	
REVIEWED	

FILE NAME = P1-sht-GRNE-land01.dgn
 PLOT DATE = 3/23/2016 11:41:03 AM

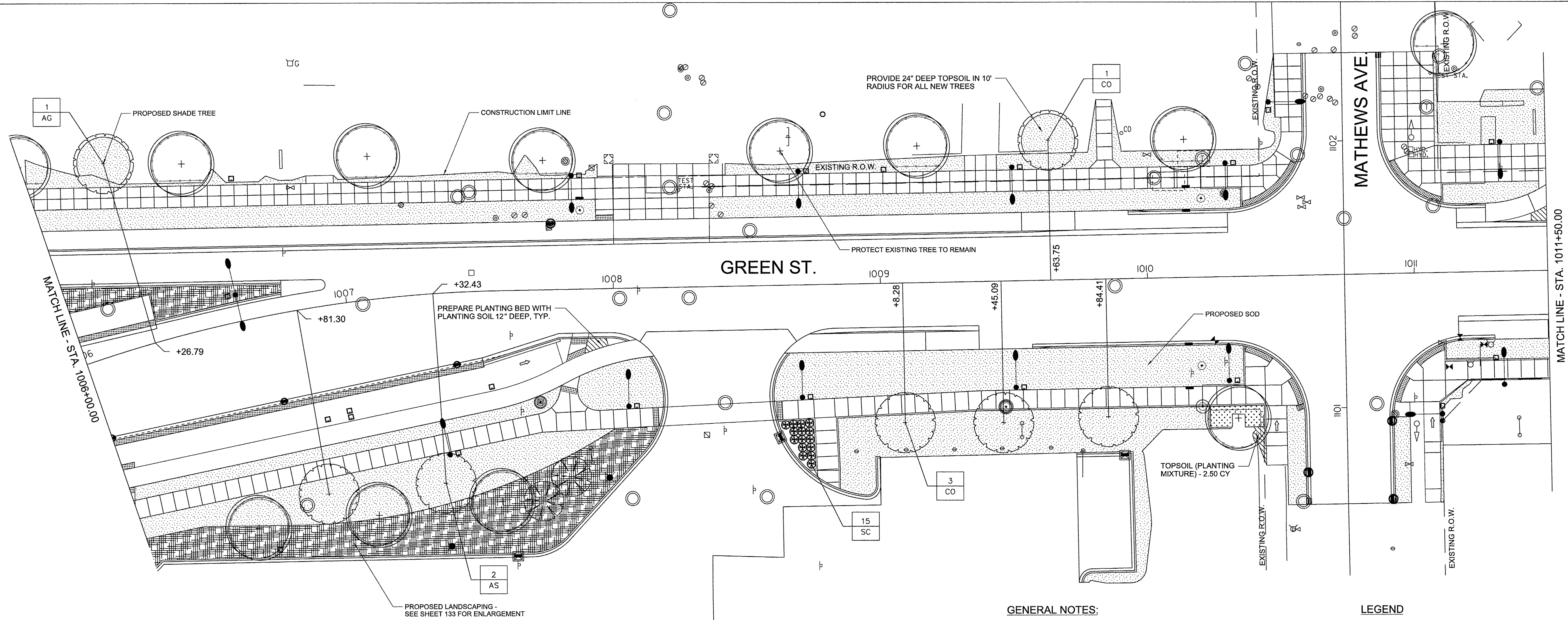
DESIGNED - BK	REVISED -
DRAWN - JR	REVISED -
CHECKED - BM	REVISED -
DATE - MARCH 2016	REVISED -

STATE OF ILLINOIS
DEPARTMENT OF TRANSPORTATION

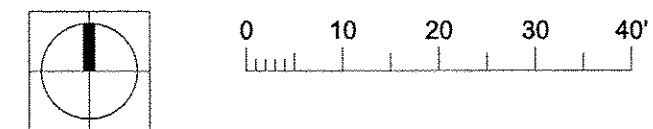
LANDSCAPE PLAN - GREEN STREET

SCALE: 1"=20' SHEET NO. 128 OF 236 SHEETS STA. TO STA. 1006+00.00

F.A.U. RTE.	SECTION	COUNTY	TOTAL SHEETS	SHEET NO.
	15-00304-01-PV	CHAMPAIGN	236	128
MCORE PROJECT 1			CONTRACT NO. 91539	
JOB NO. C-95-305-16 ILLINOIS FED. AID PROJECT TIC-518R0571				



1 LANDSCAPE PLAN 2
1" = 20'-0"



PLANT SCHEDULE							
CODE	PAY ITEM	QUANTITY	BOTANICAL NAME	COMMON NAME	SIZE	ROOT	REMARKS
AG	XX006570	1	Acer saccharum 'Green Mountain'	Green Mountain Sugar Maple	3"-4" cal	B&B	matching heads
AS	A2001722	2	Acer saccharum 'Ballista'	Fall Fiesta Sugar Maple	2.5" cal	B&B	matching heads
CO	A2002924	4	Celtis occidentalis	Common Hackberry	3"-4" cal	B&B	matching heads
SC	XX008639	13	Spiraea x cinera 'Grefsheim	Grefsheim Spirea	#5	pot	36" o.c.; per plan

GENERAL NOTES:

- SEE SHEETS 133 FOR PLANTER ENLARGEMENTS.
- COMPLY WITH ALL APPLICABLE FEDERAL, STATE AND LOCAL CODES AND ORDINANCES FOR ALL WORK AND OPERATIONS.
- KEEP ALL AREAS CLEAN, NEAT AND ORDERLY AT ALL TIMES, CLEAR OF RUBBISH AND DEBRIS. LEGALLY DISPOSE OF ALL MATERIALS REMOVED FROM THE SITE.
- PROTECT STRUCTURES, UTILITIES, SIDEWALKS, PAVEMENTS, FENCING, FURNISHINGS AND PLANTINGS, TREES AND LAWNS FROM DAMAGE CAUSED BY SETTLEMENT, LATERAL MOVEMENT, UNDERMINING, WASHOUTS, AND OTHER HAZARDS CREATED BY SITE IMPROVEMENTS. IF ANY DAMAGE OCCURS, REPAIR TO ORIGINAL CONDITION AT NO ADDITIONAL COST.
- PROTECT AND/OR RESTORE EXISTING LAWN WITH 4" DEPTH TOPSOIL AND NEW SOD, INCLUDING BUT NOT LIMITED TO ALL AREAS WITHIN CONSTRUCTION LIMITS.
- VERIFY DIMENSIONS IN FIELD.
- COORDINATE WORK WITH ALL OTHER TRADES.

PAVING NOTES:

- INSTALL ALL PAVING TO BE SMOOTH AND CONTINUOUS WITHOUT KINKS OR ABRUPT CHANGES.
- MATCH LINE AND GRADE OF PAVEMENT, LAWN AND PLANTING AREAS TO EXISTING ADJACENT AREAS.
- GRADE ALL PAVED SURFACES TO A MAXIMUM 5% SLOPE WITH A MAXIMUM CROSS SLOPE OF 2% AND A MINIMUM SLOPE OF 0.5%.
- ADJUST UTILITY STRUCTURES TO MEET FINISH GRADE.
- LAYOUT CONTROL JOINTS AT A MAX 8' O.C. AND EXPANSION JOINTS AT A MAX 30' O.C. UNLESS OTHERWISE NOTED. IF PAVEMENT IS ARCHED, LAYOUT CONTROL JOINTS EQUALLY ALONG LENGTH OF ARC AND PERPENDICULAR TO CENTERLINE OF ARC UNLESS OTHERWISE NOTED. CONTROL JOINTS ARE TO BE TOOLED WITH A LIGHT BROOM FINISH.

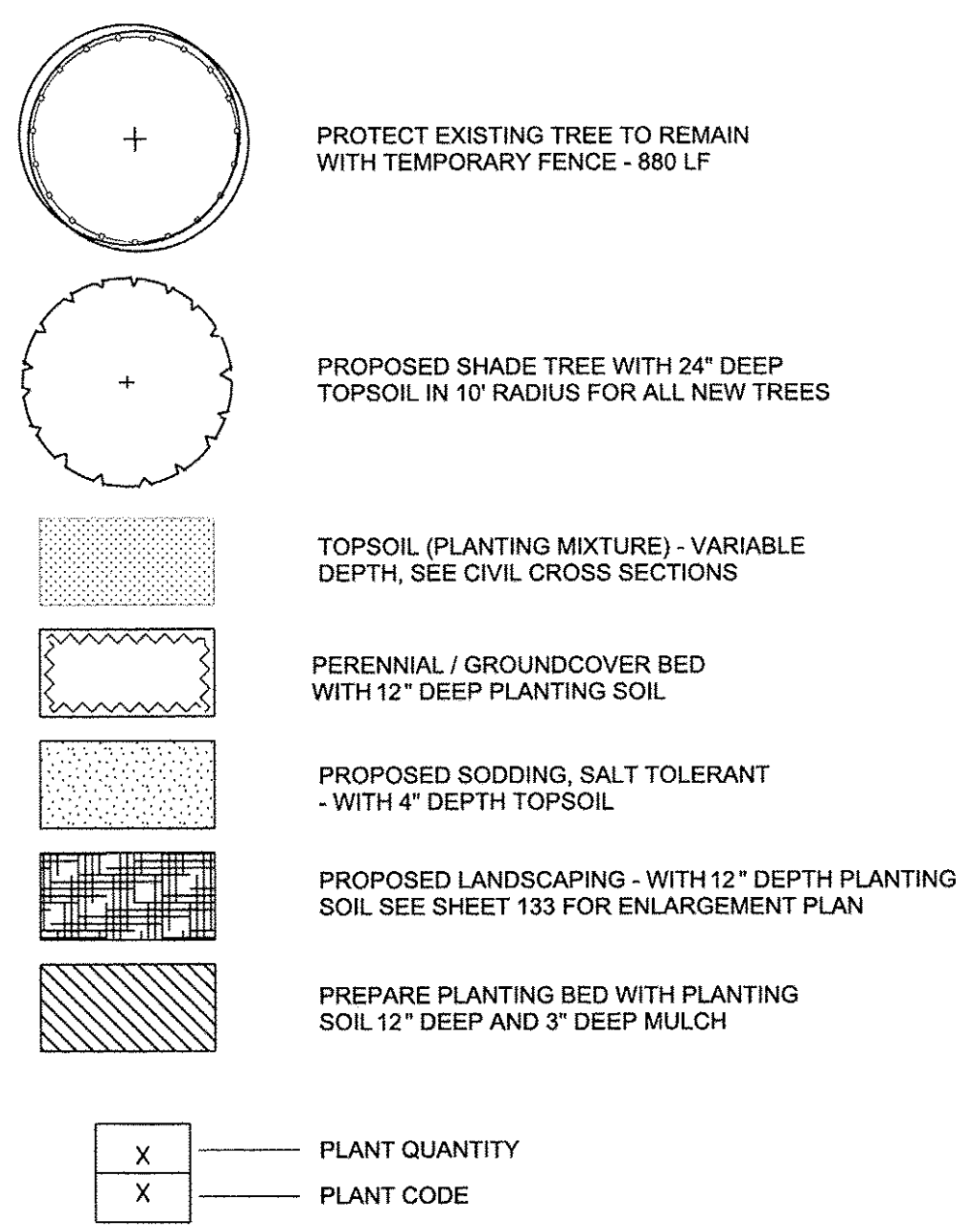
FURNISHING NOTES:

- CONFIRM ALL FURNISHING QUANTITIES AND DIMENSIONS WITH ENGINEER.
- FOR FURNISHING DETAILS, SEE SHEETS 136
- PROVIDE STAINLESS STEEL TAMPER PROOF FASTENERS.

LANDSCAPE NOTES:

- PLANT ALL MIXED PLANTING BEDS AS SHOWN ON PLANS.
- CONTRACTOR IS RESPONSIBLE FOR RETURNING TO PLANT FALL BULBS IF BULB PLANTING SEASON IS OVER AT TIME OF PROPOSED INSTALLATION. COORDINATE WITH ENGINEER.
- FOR LANDSCAPE DETAILS, SEE SHEET 136
- ALL PLANTINGS SHALL FOLLOW IDOT BUREAU OF DESIGN & ENVIRONMENT MANUAL - CHAPTER 59 - LANDSCAPE DESIGN AND EROSION CONTROL 59-7.09 PLANTING IN URBANIZED AREA FOR SIGHT DISTANCES.
- ALL AREAS TO BE LANDSCAPED SHALL BE EXCAVATED TO THE DEPTH APPROPRIATE FOR THE PROPOSED PLANTINGS. EXCAVATION FOR LANDSCAPE AND SOD BED PREPARATION SHALL REMAIN OUTSIDE OF TREE PROTECTION ZONES OF EXISTING TREES. TREE PROTECTION ZONE SHOULD BE 1.5 FEET FROM TRUNK FOR EVERY 1" IN TRUNK DIAMETER BUT MAY BE REDUCED TO 1 FOOT FOR EVERY 1" TRUNK DIAMETER WITH APPROVAL OF THE ENGINEER OR EXTENUATING CIRCUMSTANCES.
- ANY AREAS OUTSIDE OF THE LANDSCAPE BEDS THAT ARE DISTURBED SHALL BE REPLACED IN KIND.
- NEW TREES TO BE PLANTED IN PROPOSED LANDSCAPE AREAS SHALL BE PLANTED AFTER SOIL/BED PREPARATION IS COMPLETE.

LEGEND



LAYOUT	
DRAWN	
REVIEWED	

FILE NAME = P1-sht-GRNE-land02.dgn
PLOT DATE = 3/23/2016 11:42:07 AM

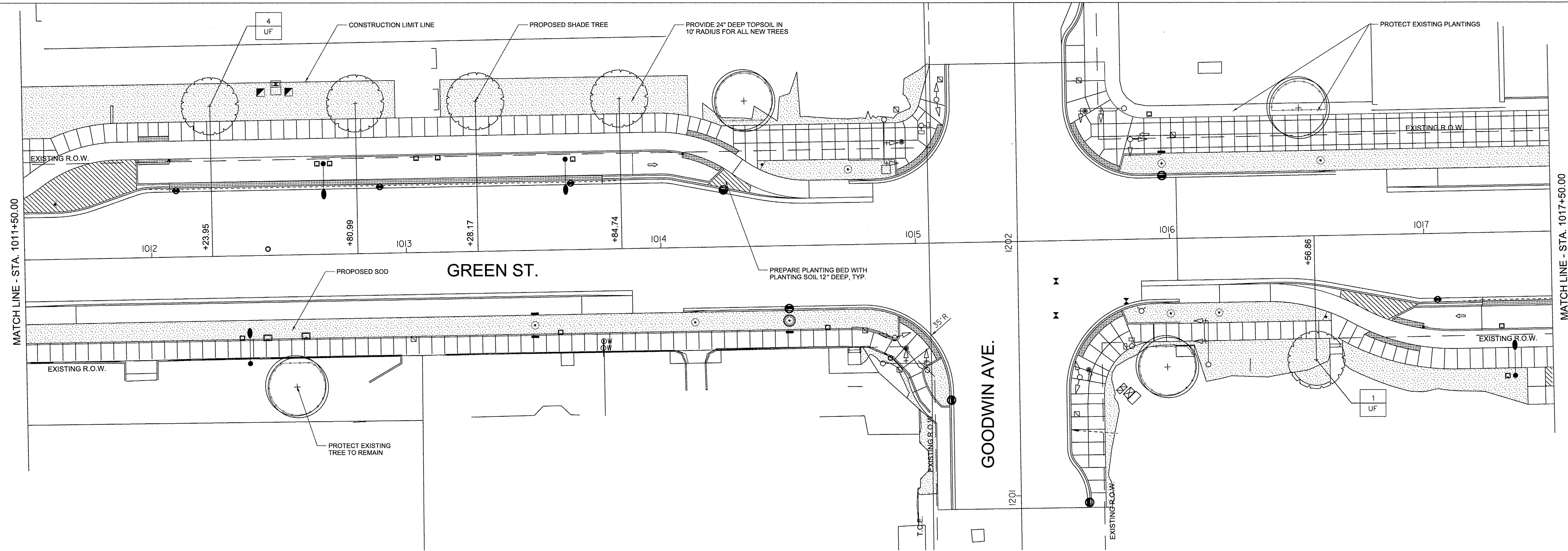
DESIGNED - BK	REVISED -
DRAWN - JR	REVISED -
CHECKED - BM	REVISED -
DATE - MARCH 2016	REVISED -

STATE OF ILLINOIS
DEPARTMENT OF TRANSPORTATION

LANDSCAPE PLAN - GREEN STREET

SCALE: 1"=20' SHEET NO. 129 OF 236 SHEETS STA. 1006+00.00 TO STA. 1011+50.00

F.A.U. RTE.	SECTION	COUNTY	TOTAL SHEETS	SHEET NO.
	15-00304-01-PV	CHAMPAIGN	236	129
MCORE PROJECT I			CONTRACT NO. 91539	
JOB NO. C-95-305-16		ILLINOIS	FED. AID PROJECT TIG-58180571	



GENERAL NOTES:

- SEE SHEETS 133 FOR PLANTER ENLARGEMENTS.
- COMPLY WITH ALL APPLICABLE FEDERAL, STATE AND LOCAL CODES AND ORDINANCES FOR ALL WORK AND OPERATIONS.
- KEEP ALL AREAS CLEAN, NEAT AND ORDERLY AT ALL TIMES. CLEAR OF RUBBISH AND DEBRIS. LEGALLY DISPOSE OF ALL MATERIALS REMOVED FROM THE SITE.
- PROTECT STRUCTURES, UTILITIES, SIDEWALKS, PAVEMENTS, FENCING, FURNISHINGS AND PLANTINGS, TREES AND LAWNS FROM DAMAGE CAUSED BY SETTLEMENT, LATERAL MOVEMENT, UNDERMINING, WASHOUTS, AND OTHER HAZARDS CREATED BY SITE IMPROVEMENTS. IF ANY DAMAGE OCCURS, REPAIR TO ORIGINAL CONDITION AT NO ADDITIONAL COST.
- PROTECT AND/OR RESTORE EXISTING LAWN WITH 4" DEPTH TOPSOIL AND NEW SOD, INCLUDING BUT NOT LIMITED TO ALL AREAS WITHIN CONSTRUCTION LIMITS.
- VERIFY DIMENSIONS IN FIELD.
- COORDINATE WORK WITH ALL OTHER TRADES.

PAVING NOTES:

- INSTALL ALL PAVING TO BE SMOOTH AND CONTINUOUS WITHOUT KINKS OR ABRUPT CHANGES.
- MATCH LINE AND GRADE OF PAVEMENT, LAWN AND PLANTING AREAS TO EXISTING ADJACENT AREAS.
- GRADE ALL PAVED SURFACES TO A MAXIMUM 5% SLOPE WITH A MAXIMUM CROSS SLOPE OF 2% AND A MINIMUM SLOPE OF 0.5%.
- ADJUST UTILITY STRUCTURES TO MEET FINISH GRADE.
- LAYOUT CONTROL JOINTS AT A MAX 6' O.C. AND EXPANSION JOINTS AT A MAX 30' O.C. UNLESS OTHERWISE NOTED. IF PAVEMENT IS ARCED, LAYOUT CONTROL JOINTS EQUALLY ALONG LENGTH OF ARC AND PERPENDICULAR TO CENTERLINE OF ARC UNLESS OTHERWISE NOTED. CONTROL JOINTS ARE TO BE TOOLED WITH A LIGHT BROOM FINISH.

FURNISHING NOTES:

- CONFIRM ALL FURNISHING QUANTITIES AND DIMENSIONS WITH ENGINEER.
- FOR FURNISHING DETAILS, SEE SHEETS 136.
- PROVIDE STAINLESS STEEL TAMPER PROOF FASTENERS.

LANDSCAPE NOTES:

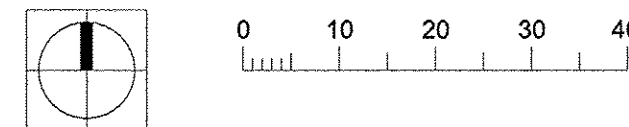
- PLANT ALL MIXED PLANTING BEDS AS SHOWN ON PLANS.
- CONTRACTOR IS RESPONSIBLE FOR RETURNING TO PLANT FALL BULBS IF BULB PLANTING SEASON IS OVER AT TIME OF PROPOSED INSTALLATION, COORDINATE WITH ENGINEER.
- FOR LANDSCAPE DETAILS, SEE SHEET 136.
- ALL PLANTINGS SHALL FOLLOW IDOT BUREAU OF DESIGN & ENVIRONMENT MANUAL - CHAPTER 59 - LANDSCAPE DESIGN AND EROSION CONTROL 59-7.09 PLANTING IN URBANIZED AREA FOR SIGHT DISTANCES.
- ALL AREAS TO BE LANDSCAPED SHALL BE EXCAVATED TO THE DEPTH APPROPRIATE FOR THE PROPOSED PLANTINGS. EXCAVATION FOR LANDSCAPE AND SOD BED PREPARATION SHALL REMAIN OUTSIDE OF TREE PROTECTION ZONES OF EXISTING TREES. TREE PROTECTION ZONE SHOULD BE 1.5 FEET FROM TRUNK FOR EVERY 1" IN TRUNK DIAMETER BUT MAY BE REDUCED TO 1 FOOT FOR EVERY 1" TRUNK DIAMETER WITH APPROVAL OF THE ENGINEER OR EXTENUATING CIRCUMSTANCES.
- ANY AREAS OUTSIDE OF THE LANDSCAPE BEDS THAT ARE DISTURBED SHALL BE REPLACED IN KIND.
- NEW TREES TO BE PLANTED IN PROPOSED LANDSCAPE AREAS SHALL BE PLANTED AFTER SOIL/BED PREPARATION IS COMPLETE.

LEGEND

- PROTECT EXISTING TREE TO REMAIN WITH TEMPORARY FENCE - 260 LF
- PROPOSED SHADE TREE WITH 24" DEEP TOPSOIL IN 10' RADIUS FOR ALL NEW TREES
- TOPSOIL (PLANTING MIXTURE) - VARIABLE DEPTH, SEE CIVIL CROSS SECTIONS
- PERENNIAL / GROUND COVER BED WITH 12" DEEP PLANTING SOIL
- PROPOSED SODDING, SALT TOLERANT - WITH 4" DEPTH TOPSOIL
- PROPOSED LANDSCAPING - WITH 12" DEPTH PLANTING SOIL SEE SHEET 133 FOR ENLARGEMENT PLAN
- PREPARE PLANTING BED WITH PLANTING SOIL 12" DEEP AND 3" DEEP MULCH

- X PLANT QUANTITY
- X PLANT CODE

1 LANDSCAPE PLAN 3
1" = 20'-0"



PLANT SCHEDULE							
CODE	PAY ITEM	QUANTITY	BOTANICAL NAME	COMMON NAME	SIZE	ROOT	REMARKS
UF	XX006570	5	Ulmus Frontier'	Frontier Elm	3"-4" cal	B&B	matching heads

LAYOUT	
DRAWN	
REVIEWED	

FILE NAME = P1-sht-GRNE-land03.dgn
 PLOT DATE = 3/23/2016 11:42:56 AM

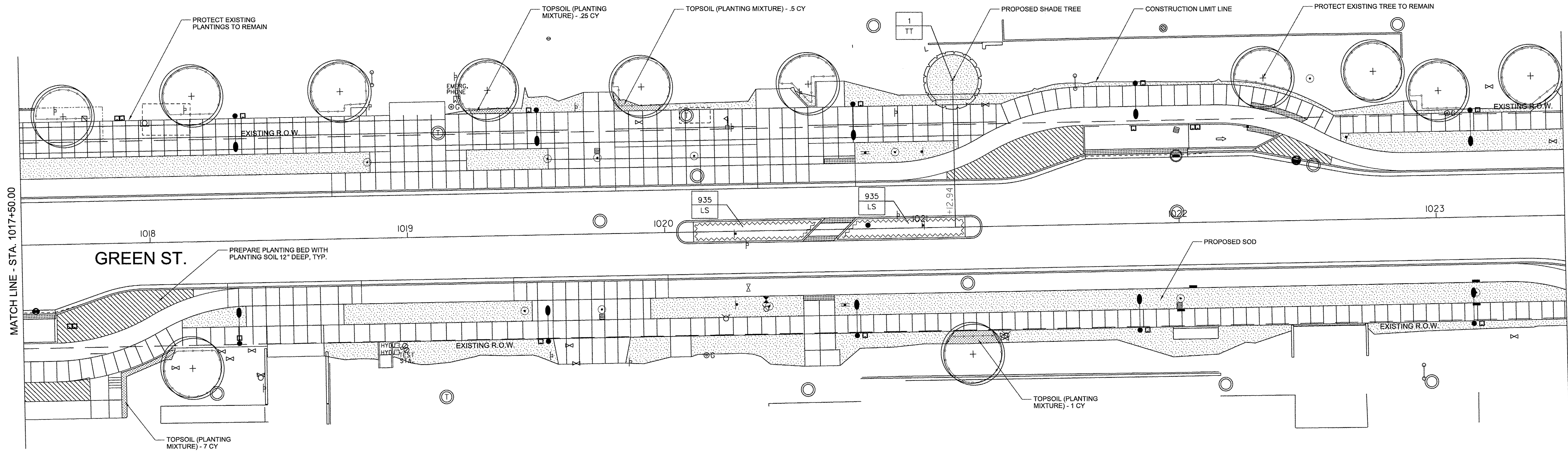
DESIGNED	- BK	REVISED	-
DRAWN	- JR	REVISED	-
CHECKED	- BM	REVISED	-
DATE	- MARCH 2016	REVISED	-

STATE OF ILLINOIS
DEPARTMENT OF TRANSPORTATION

LANDSCAPE PLAN - GREEN STREET

SCALE: 1"=20' SHEET NO. 130 OF 236 SHEETS STA. 1011+50.00 TO STA. 1017+50.00

F.A.U. RTE.	SECTION	COUNTY	TOTAL SHEETS	SHEET NO.
	I5-00304-01-PV	CHAMPAIGN	236	130
MCORE PROJECT I			CONTRACT NO. 91539	
JOB NO. C-95-305-16 ILLINOIS FED. AID PROJECT TIG-518(057)				



GENERAL NOTES:

- SEE SHEETS 133 FOR PLANTER ENLARGEMENTS.
- COMPLY WITH ALL APPLICABLE FEDERAL, STATE AND LOCAL CODES AND ORDINANCES FOR ALL WORK AND OPERATIONS.
- KEEP ALL AREAS CLEAN, NEAT AND ORDERLY AT ALL TIMES. CLEAR OF RUBBISH AND DEBRIS. LEGALLY DISPOSE OF ALL MATERIALS REMOVED FROM THE SITE.
- PROTECT STRUCTURES, UTILITIES, SIDEWALKS, PAVEMENTS, FENCING, FURNISHINGS AND PLANTINGS, TREES AND LAWNS FROM DAMAGE CAUSED BY SETTLEMENT, LATERAL MOVEMENT, UNDERMINING, WASHOUTS, AND OTHER HAZARDS CREATED BY SITE IMPROVEMENTS. IF ANY DAMAGE OCCURS, REPAIR TO ORIGINAL CONDITION AT NO ADDITIONAL COST.
- PROTECT AND/OR RESTORE EXISTING LAWN WITH 4\"/>

PAVING NOTES:

- INSTALL ALL PAVING TO BE SMOOTH AND CONTINUOUS WITHOUT KINKS OR ABRUPT CHANGES.
- MATCH LINE AND GRADE OF PAVEMENT, LAWN AND PLANTING AREAS TO EXISTING ADJACENT AREAS.
- GRADE ALL PAVED SURFACES TO A MAXIMUM 5% SLOPE WITH A MAXIMUM CROSS SLOPE OF 2% AND A MINIMUM SLOPE OF 0.5%.
- ADJUST UTILITY STRUCTURES TO MEET FINISH GRADE.
- LAYOUT CONTROL JOINTS AT A MAX 6' O.C. AND EXPANSION JOINTS AT A MAX 30' O.C. UNLESS OTHERWISE NOTED. IF PAVEMENT IS ARCED, LAYOUT CONTROL JOINTS EQUALLY ALONG LENGTH OF ARC AND PERPENDICULAR TO CENTERLINE OF ARC UNLESS OTHERWISE NOTED. CONTROL JOINTS ARE TO BE TOOLED WITH A LIGHT BROOM FINISH.

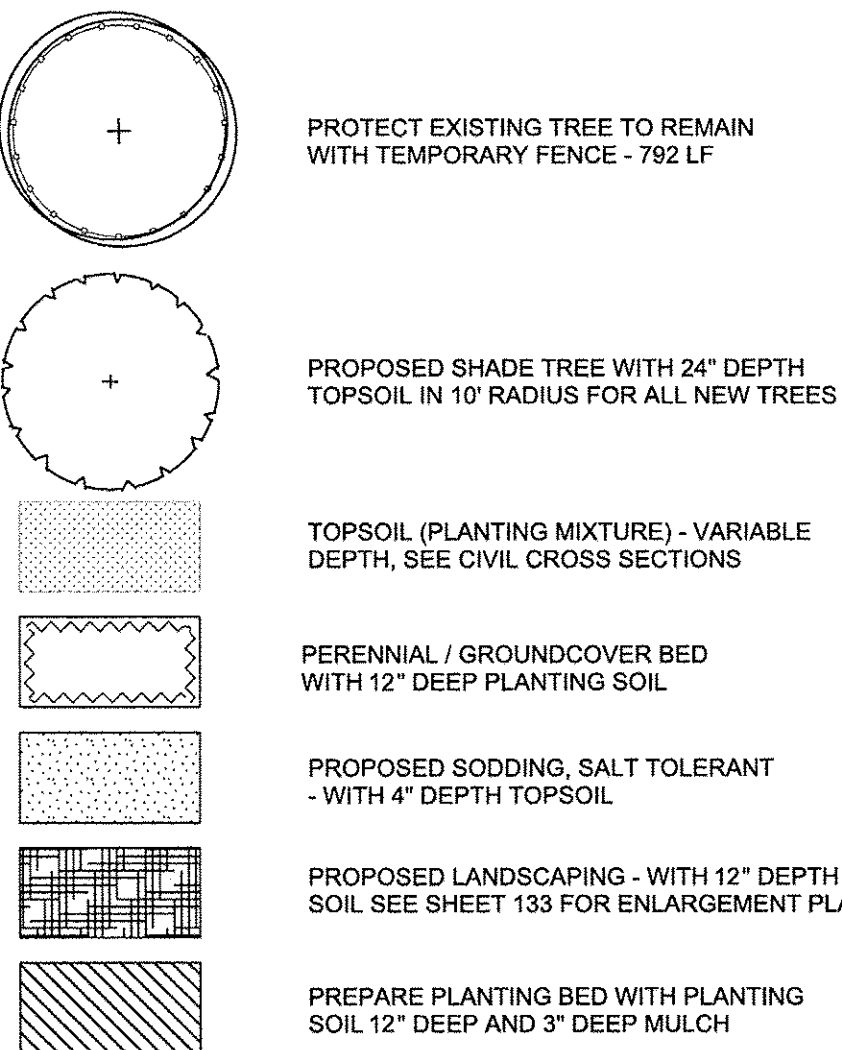
FURNISHING NOTES:

- CONFIRM ALL FURNISHING QUANTITIES AND DIMENSIONS WITH ENGINEER.
- FOR FURNISHING DETAILS, SEE SHEETS 136
- PROVIDE STAINLESS STEEL TAMPER PROOF FASTENERS.

LANDSCAPE NOTES:

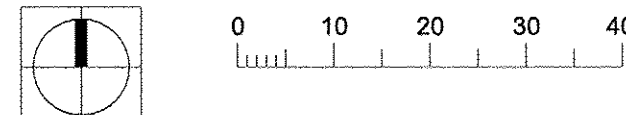
- PLANT ALL MIXED PLANTING BEDS AS SHOWN ON PLANS.
- CONTRACTOR IS RESPONSIBLE FOR RETURNING TO PLANT FALL BULBS IF BULB PLANTING SEASON IS OVER AT TIME OF PROPOSED INSTALLATION. COORDINATE WITH ENGINEER.
- FOR LANDSCAPE DETAILS, SEE SHEET 136
- ALL PLANTINGS SHALL FOLLOW IDOT BUREAU OF DESIGN & ENVIRONMENT MANUAL - CHAPTER 59 - LANDSCAPE DESIGN AND EROSION CONTROL 59-7.09 PLANTING IN URBANIZED AREA FOR SIGHT DISTANCES.
- ALL AREAS TO BE LANDSCAPED SHALL BE EXCAVATED TO THE DEPTH APPROPRIATE FOR THE PROPOSED PLANTINGS. EXCAVATION FOR LANDSCAPE AND SOD BED PREPARATION SHALL REMAIN OUTSIDE OF TREE PROTECTION ZONES OF EXISTING TREES. TREE PROTECTION ZONE SHOULD BE 1.5 FEET FROM TRUNK FOR EVERY 1\"/>

LEGEND



X — PLANT QUANTITY
X — PLANT CODE

1 LANDSCAPE PLAN 4
1" = 20'-0"



PLANT SCHEDULE

CODE	PAY ITEM	QUANTITY	BOTANICAL NAME	COMMON NAME	SIZE	ROOT	REMARKS
TT	XX006570	1	Tilia tomentosa	Silver Linden	3'-4" cal	B&B	matching heads
LS	K0013000	1870	Liriope spicata	Lilyturf	2"	plug	8" o.c.

LAYOUT	
DRAWN	
REVIEWED	

FILE NAME = P1-sht-GRNE-land04.dgn
PLOT DATE = 3/23/2016 11:44:01 AM

DESIGNED - BK
DRAWN - JR
CHECKED - BM
DATE - MARCH 2016

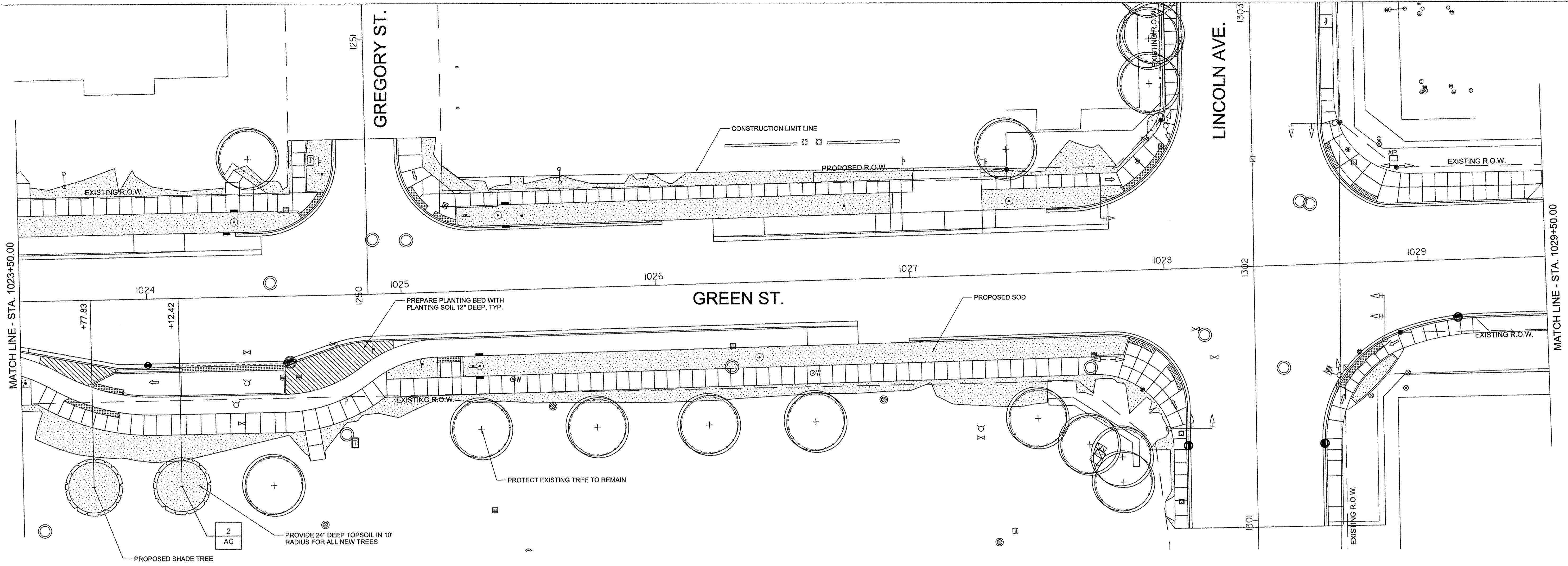
REVISED -
REVISED -
REVISED -
REVISED -

STATE OF ILLINOIS
DEPARTMENT OF TRANSPORTATION

LANDSCAPE PLAN - GREEN STREET

SCALE: 1"=20' SHEET NO. 131 OF 236 SHEETS STA. 1017+50.00 TO STA. 1023+50.00

F.A.U. RTE.	SECTION	COUNTY	TOTAL SHEETS	SHEET NO.
	15-00304-01-PV	CHAMPAIGN	236	131
MCORE PROJECT I			CONTRACT NO. 91539	
JOB NO. C-95-305-16			ILLINOIS FED. AID PROJECT TIG-5181057	



GENERAL NOTES:

- SEE SHEETS 133 FOR PLANTER ENLARGEMENTS.
- COMPLY WITH ALL APPLICABLE FEDERAL, STATE AND LOCAL CODES AND ORDINANCES FOR ALL WORK AND OPERATIONS.
- KEEP ALL AREAS CLEAN, NEAT AND ORDERLY AT ALL TIMES. CLEAR OF RUBBISH AND DEBRIS. LEGALLY DISPOSE OF ALL MATERIALS REMOVED FROM THE SITE.
- PROTECT STRUCTURES, UTILITIES, SIDEWALKS, PAVEMENTS, FENCING, FURNISHINGS AND PLANTINGS, TREES AND LAWNS FROM DAMAGE CAUSED BY SETTLEMENT, LATERAL MOVEMENT, UNDERMINING, WASHOUTS, AND OTHER HAZARDS CREATED BY SITE IMPROVEMENTS. IF ANY DAMAGE OCCURS, REPAIR TO ORIGINAL CONDITION AT NO ADDITIONAL COST.
- PROTECT AND/OR RESTORE EXISTING LAWN WITH 4" DEPTH TOPSOIL AND NEW SOD, INCLUDING BUT NOT LIMITED TO ALL AREAS WITHIN CONSTRUCTION LIMITS.
- VERIFY DIMENSIONS IN FIELD.
- COORDINATE WORK WITH ALL OTHER TRADES.

PAVING NOTES:

- INSTALL ALL PAVING TO BE SMOOTH AND CONTINUOUS WITHOUT KINKS OR ABRUPT CHANGES.
- MATCH LINE AND GRADE OF PAVEMENT, LAWN AND PLANTING AREAS TO EXISTING ADJACENT AREAS.
- GRADE ALL PAVED SURFACES TO A MAXIMUM 5% SLOPE WITH A MAXIMUM CROSS SLOPE OF 2% AND A MINIMUM SLOPE OF 0.5%.
- ADJUST UTILITY STRUCTURES TO MEET FINISH GRADE.
- LAYOUT CONTROL JOINTS AT A MAX 6' O.C. AND EXPANSION JOINTS AT A MAX 30' O.C. UNLESS OTHERWISE NOTED. IF PAVEMENT IS ARCED, LAYOUT CONTROL JOINTS EQUALLY ALONG LENGTH OF ARC AND PERPENDICULAR TO CENTERLINE OF ARC UNLESS OTHERWISE NOTED. CONTROL JOINTS ARE TO BE TOOLED WITH A LIGHT BROOM FINISH.

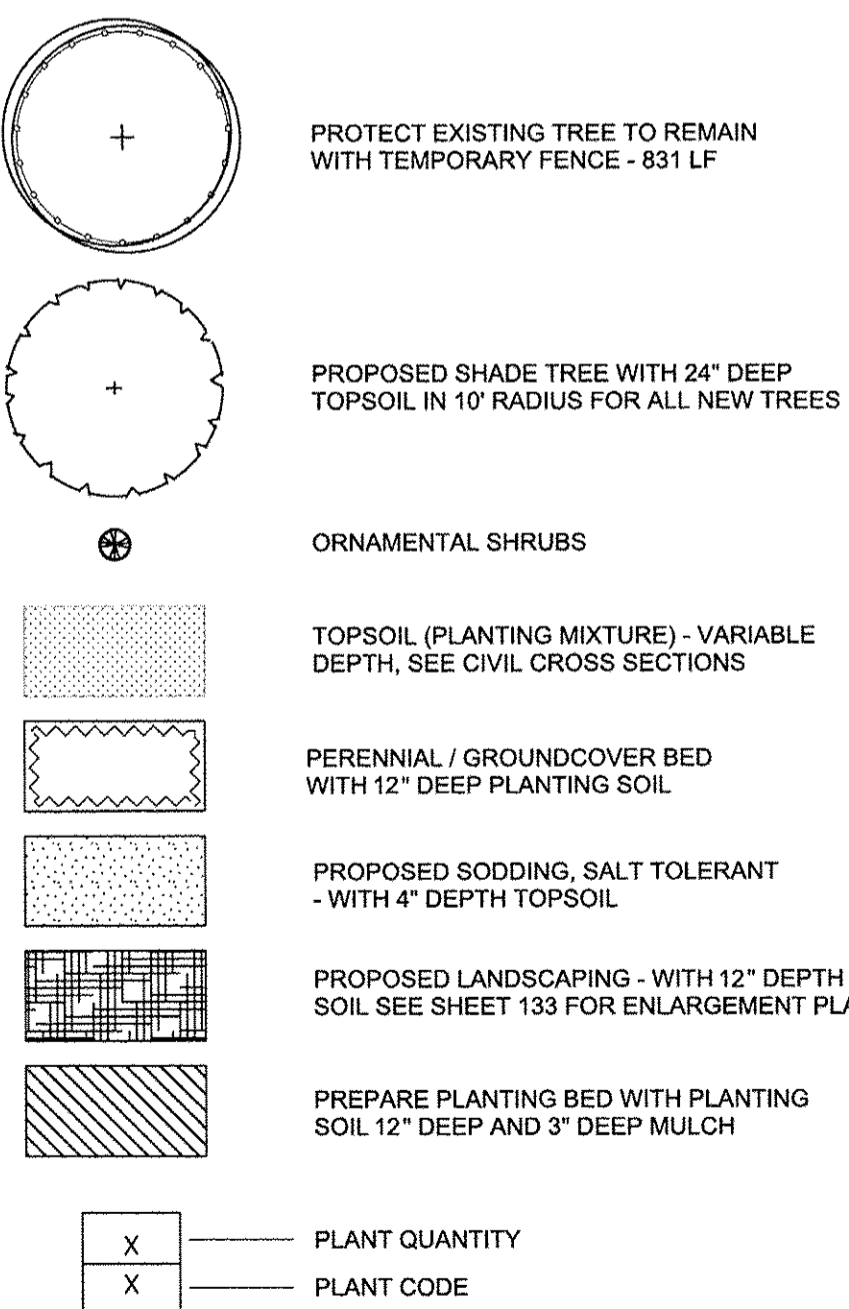
FURNISHING NOTES:

- CONFIRM ALL FURNISHING QUANTITIES AND DIMENSIONS WITH ENGINEER.
- FOR FURNISHING DETAILS, SEE SHEETS 136
- PROVIDE STAINLESS STEEL TAMPER PROOF FASTENERS.

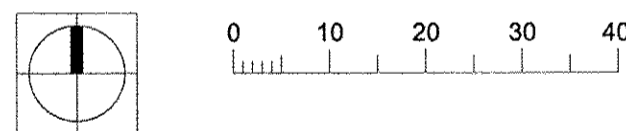
LANDSCAPE NOTES:

- PLANT ALL MIXED PLANTING BEDS AS SHOWN ON PLANS.
- CONTRACTOR IS RESPONSIBLE FOR RETURNING TO PLANT FALL BULBS IF BULB PLANTING SEASON IS OVER AT TIME OF PROPOSED INSTALLATION. COORDINATE WITH ENGINEER.
- FOR LANDSCAPE DETAILS, SEE SHEET 136
- ALL PLANTINGS SHALL FOLLOW IDOT BUREAU OF DESIGN & ENVIRONMENT MANUAL - CHAPTER 59 - LANDSCAPE DESIGN AND EROSION CONTROL 59-7.09 PLANTING IN URBANIZED AREA FOR SIGHT DISTANCES.
- ALL AREAS TO BE LANDSCAPED SHALL BE EXCAVATED TO THE DEPTH APPROPRIATE FOR THE PROPOSED PLANTINGS. EXCAVATION FOR LANDSCAPE AND SOD BED PREPARATION SHALL REMAIN OUTSIDE OF TREE PROTECTION ZONES OF EXISTING TREES. TREE PROTECTION ZONE SHOULD BE 1.5 FEET FROM TRUNK FOR EVERY 1" IN TRUNK DIAMETER BUT MAY BE REDUCED TO 1 FOOT FOR EVERY 1" TRUNK DIAMETER WITH APPROVAL OF THE ENGINEER OR EXTENUATING CIRCUMSTANCES.
- ANY AREAS OUTSIDE OF THE LANDSCAPE BEDS THAT ARE DISTURBED SHALL BE REPLACED IN KIND.
- NEW TREES TO BE PLANTED IN PROPOSED LANDSCAPE AREAS SHALL BE PLANTED AFTER SOIL/BED PREPARATION IS COMPLETE.

LEGEND



1 LANDSCAPE PLAN 5
1" = 20'-0"



PLANT SCHEDULE

CODE	PAY ITEM	QUANTITY	BOTANICAL NAME	COMMON NAME	SIZE	ROOT	REMARKS
AG	XX006570	2	Acer saccharum 'Green Mountain'	Green Mountain Sugar Maple	3"-4" cal	B&B	matching heads

LAYOUT	
DRAWN	
REVIEWED	

FILE NAME = P1-sht-GRNE-land05.dgn
PLOT DATE = 3/23/2016 2:40:51 PM

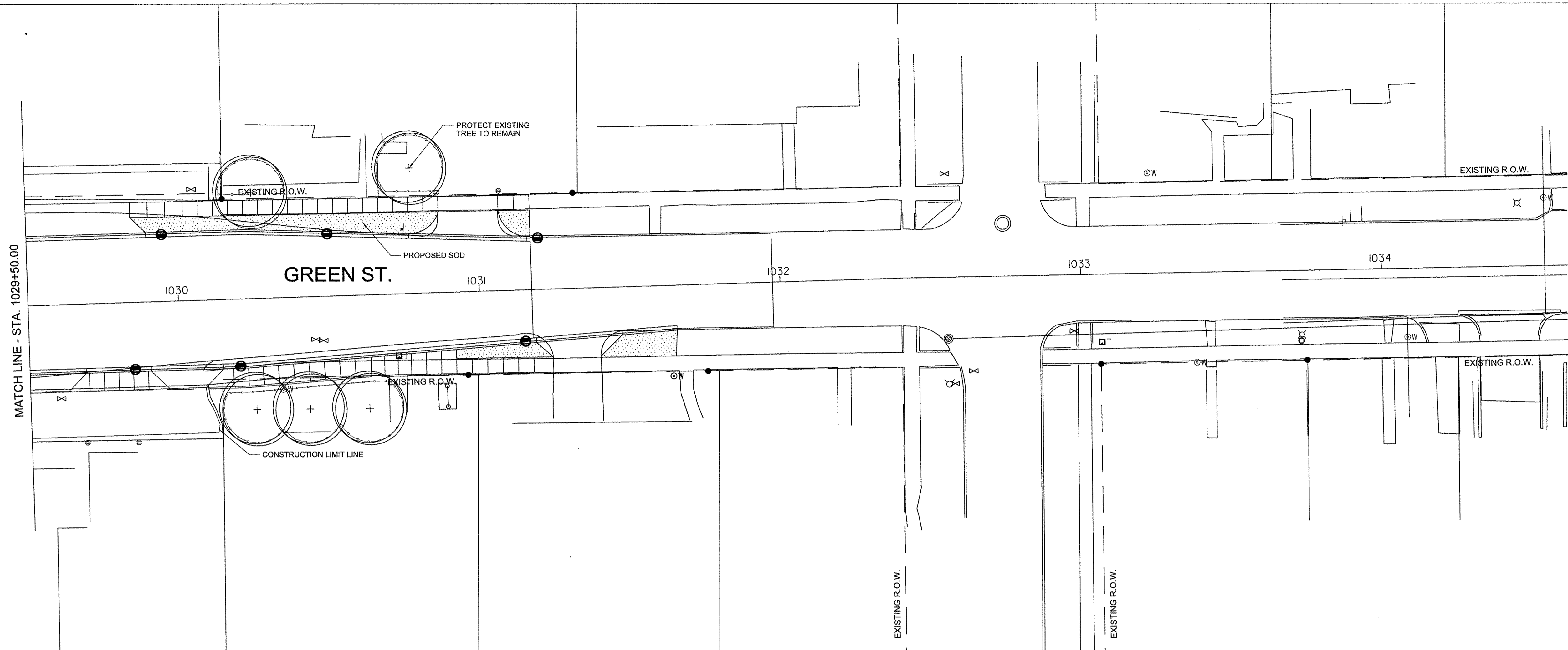
DESIGNED - BK	REVISED -
DRAWN - JR	REVISED -
CHECKED - BM	REVISED -
DATE - MARCH 2016	REVISED -

STATE OF ILLINOIS
DEPARTMENT OF TRANSPORTATION

LANDSCAPE PLAN - GREEN STREET

SCALE: 1"=20' SHEET NO. 132 OF 236 SHEETS STA. 1023+50.00 TO STA. 1029+50.00

F.A.U. RTE.	SECTION	COUNTY	TOTAL SHEETS	SHEET NO.
	15-00304-01-PV	CHAMPAIGN	236	132
MCORE PROJECT I			CONTRACT NO. 91539	
JOB NO. C-95-305-16			ILLINOIS FED. AID PROJECT TIG-5181057	



GENERAL NOTES:

- SEE SHEETS 133 FOR PLANTER ENLARGEMENTS.
- COMPLY WITH ALL APPLICABLE FEDERAL, STATE AND LOCAL CODES AND ORDINANCES FOR ALL WORK AND OPERATIONS.
- KEEP ALL AREAS CLEAN, NEAT AND ORDERLY AT ALL TIMES. CLEAR OF RUBBISH AND DEBRIS. LEGALLY DISPOSE OF ALL MATERIALS REMOVED FROM THE SITE.
- PROTECT STRUCTURES, UTILITIES, SIDEWALKS, PAVEMENTS, FENCING, FURNISHINGS AND PLANTINGS, TREES AND LAWNS FROM DAMAGE CAUSED BY SETTLEMENT, LATERAL MOVEMENT, UNDERMINING, WASHOUTS, AND OTHER HAZARDS CREATED BY SITE IMPROVEMENTS. IF ANY DAMAGE OCCURS, REPAIR TO ORIGINAL CONDITION AT NO ADDITIONAL COST.
- PROTECT AND/OR RESTORE EXISTING LAWN WITH 4" DEPTH TOPSOIL AND NEW SOD, INCLUDING BUT NOT LIMITED TO ALL AREAS WITHIN CONSTRUCTION LIMITS.
- VERIFY DIMENSIONS IN FIELD.
- COORDINATE WORK WITH ALL OTHER TRADES.

PAVING NOTES:

- INSTALL ALL PAVING TO BE SMOOTH AND CONTINUOUS WITHOUT KINKS OR ABRUPT CHANGES.
- MATCH LINE AND GRADE OF PAVEMENT, LAWN AND PLANTING AREAS TO EXISTING ADJACENT AREAS.
- GRADE ALL PAVED SURFACES TO A MAXIMUM 5% SLOPE WITH A MAXIMUM CROSS SLOPE OF 2% AND A MINIMUM SLOPE OF 0.5%.
- ADJUST UTILITY STRUCTURES TO MEET FINISH GRADE.
- LAYOUT CONTROL JOINTS AT A MAX 6' O.C. AND EXPANSION JOINTS AT A MAX 30' O.C. UNLESS OTHERWISE NOTED. IF PAVEMENT IS ARCED, LAYOUT CONTROL JOINTS EQUALLY ALONG LENGTH OF ARC AND PERPENDICULAR TO CENTERLINE OF ARC UNLESS OTHERWISE NOTED. CONTROL JOINTS ARE TO BE TOOLED WITH A LIGHT BROOM FINISH.

FURNISHING NOTES:

- CONFIRM ALL FURNISHING QUANTITIES AND DIMENSIONS WITH ENGINEER.
- FOR FURNISHING DETAILS, SEE SHEETS 136
- PROVIDE STAINLESS STEEL TAMPER PROOF FASTENERS.

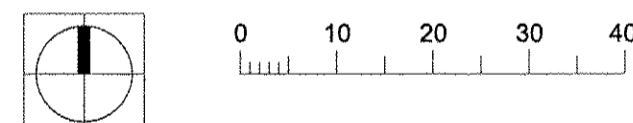
LANDSCAPE NOTES:

- PLANT ALL MIXED PLANTING BEDS AS SHOWN ON PLANS.
- CONTRACTOR IS RESPONSIBLE FOR RETURNING TO PLANT FALL BULBS IF BULB PLANTING SEASON IS OVER AT TIME OF PROPOSED INSTALLATION, COORDINATE WITH ENGINEER.
- FOR LANDSCAPE DETAILS, SEE SHEET 136
- ALL PLANTINGS SHALL FOLLOW IDOT BUREAU OF DESIGN & ENVIRONMENT MANUAL - CHAPTER 59 - LANDSCAPE DESIGN AND EROSION CONTROL 59-7.09 PLANTING IN URBANIZED AREA FOR SIGHT DISTANCES.
- ALL AREAS TO BE LANDSCAPED SHALL BE EXCAVATED TO THE DEPTH APPROPRIATE FOR THE PROPOSED PLANTINGS. EXCAVATION FOR LANDSCAPE AND SOD BED PREPARATION SHALL REMAIN OUTSIDE OF TREE PROTECTION ZONES OF EXISTING TREES. TREE PROTECTION ZONE SHOULD BE 1.5 FEET FROM TRUNK FOR EVERY 1" IN TRUNK DIAMETER BUT MAY BE REDUCED TO 1 FOOT FOR EVERY 1" TRUNK DIAMETER WITH APPROVAL OF THE ENGINEER OR EXTENUATING CIRCUMSTANCES.
- ANY AREAS OUTSIDE OF THE LANDSCAPE BEDS THAT ARE DISTURBED SHALL BE REPLACED IN KIND.
- NEW TREES TO BE PLANTED IN PROPOSED LANDSCAPE AREAS SHALL BE PLANTED AFTER SOIL/BED PREPARATION IS COMPLETE.

LEGEND

- PROTECT EXISTING TREE TO REMAIN WITH TEMPORARY FENCE - 275 LF
- PROPOSED SHADE TREE WITH 24" DEEP TOPSOIL IN 10' RADIUS FOR ALL NEW TREES
- TOPSOIL (PLANTING MIXTURE) - VARIABLE DEPTH, SEE CIVIL CROSS SECTIONS
- PERENNIAL / GROUND COVER BED WITH 12" DEEP PLANTING SOIL
- PROPOSED SODDING, SALT TOLERANT - WITH 4" DEPTH TOPSOIL
- PROPOSED LANDSCAPING - WITH 12" DEPTH PLANTING SOIL SEE SHEET 133 FOR ENLARGEMENT PLAN
- PREPARE PLANTING BED WITH PLANTING SOIL 12" DEEP AND 3" DEEP MULCH
- PLANT QUANTITY
- PLANT CODE

1 LANDSCAPE PLAN 6
1" = 20'-0"



LAYOUT	
DRAWN	
REVIEWED	

FILE NAME = P1-sht-GRNE-1and06.dgn
PLOT DATE = 3/23/2016 11:45:49 AM

DESIGNED - BK	REVISED -
DRAWN - JR	REVISED -
CHECKED - BM	REVISED -
DATE - MARCH 2016	REVISED -

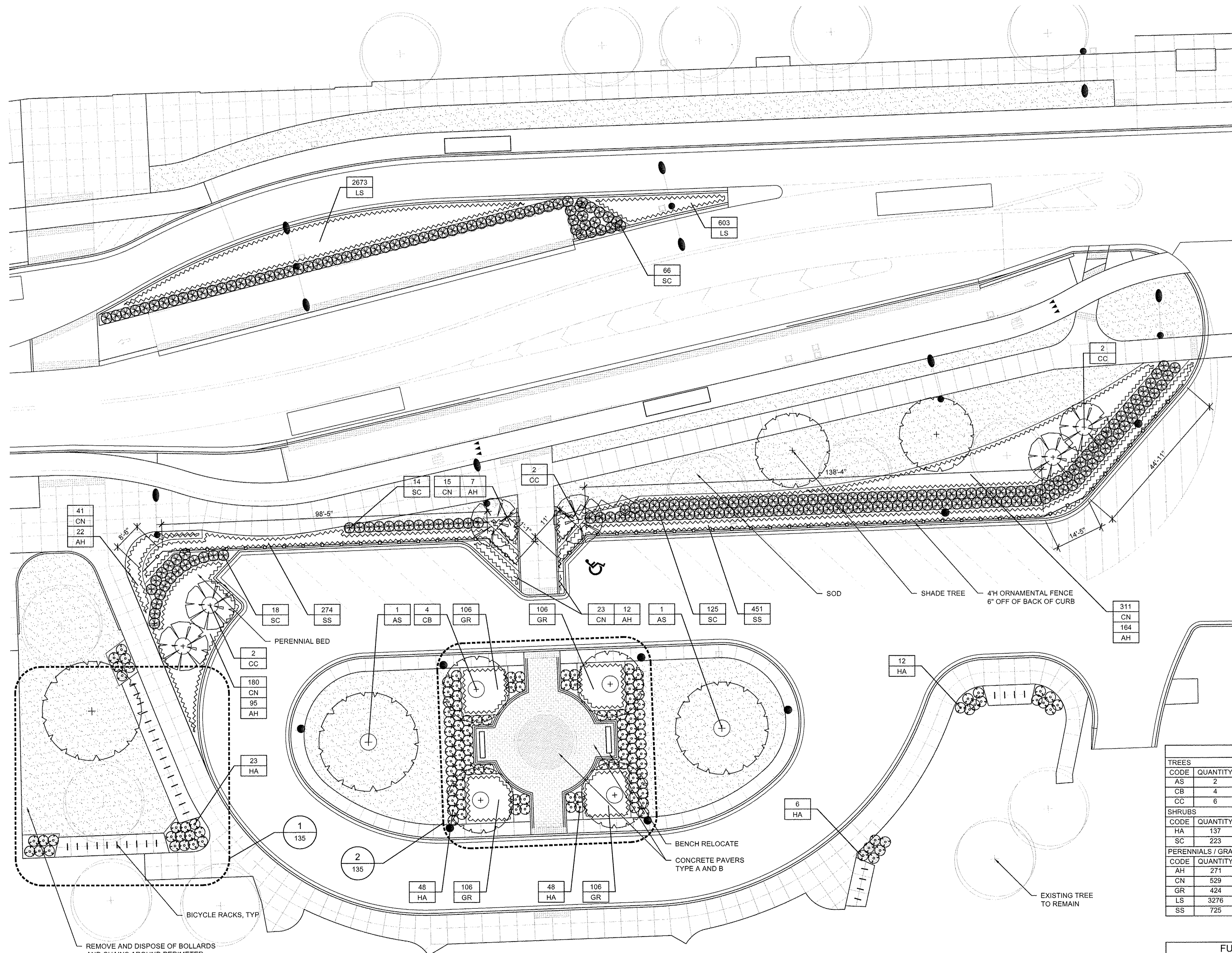
STATE OF ILLINOIS
DEPARTMENT OF TRANSPORTATION

LANDSCAPE PLAN - GREEN STREET

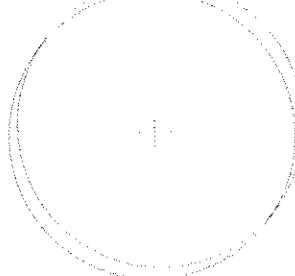
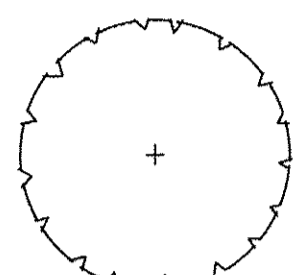
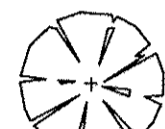
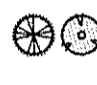
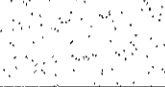
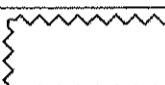
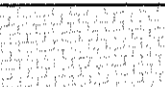
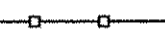


SCALE: 1" = 20'
SHEET NO. 133 OF 236 SHEETS
STA. 1029+50.00 TO STA.

F.A.U. RTE.	SECTION	COUNTY	TOTAL SHEETS	SHEET NO.
	15-00304-01-PV	CHAMPAIGN	236	133
MCCORE PROJECT I			CONTRACT NO. 91539	
JOB NO. C-95-305-16 ILLINOIS FED. AID PROJECT TIG-518(057)				

site design group ltd



LEGEND:

-  EXISTING TREE
-  SHADE TREE WITH 24" DEEP SOIL - FOR TREES WITHIN SODDED AREAS PROVIDE A 20" DIAMETER OF TOPSOIL AT 24" DEEP
-  ORNAMENTAL TREE WITH 12" DEEP PLANTING SOIL
-  ORNAMENTAL SHRUBS WITH 12" DEEP PLANTING SOIL
-  SOD WITH 4" DEEP TOPSOIL
-  PERENNIAL BED WITH 12" DEEP PLANTING SOIL
-  CONCRETE PAVERS TYPE A AND B, SEE ENLARGEMENT PLAN FOR LAYOUT
-  4"H ORNAMENTAL FENCE
-  BICYCLE RACKS
-  BENCH RELOCATE

LANDSCAPE NOTES:

1. PLANT ALL MIXED PLANTING BEDS AS PER INTERPLANTED DETAIL ON SHEET 136.
2. CONTRACTOR IS RESPONSIBLE FOR RETURNING TO PLANT FALL BULBS IF BULB PLANTING SEASON IS OVER AT TIME OF PROPOSED INSTALLATION, COORDINATE WITH AOR.
3. FOR LANDSCAPE DETAILS, SEE SHEET 136
4. ALL PLANTINGS SHALL FOLLOW IDOT BUREAU OF DESIGN & ENVIRONMENT MANUAL - CHAPTER 59 - LANDSCAPE DESIGN AND EROSION CONTROL 59-7.09 PLANTING IN URBANIZED AREA FOR SIGHT DISTANCES.
5. ALL AREAS TO BE LANDSCAPED SHALL BE EXCAVATED TO THE DEPTH APPROPRIATE FOR THE PROPOSED PLANTINGS.
6. CONTRACTOR SHALL PROVIDE PLANT MATERIALS SUFFICIENT TO COVER AREAS SHOWN ON PLANS AT THE SPACINGS INDICATED.
7. ANY AREAS OUTSIDE OF THE LANDSCAPE BEDS THAT ARE DISTURBED SHALL BE REPLACED IN KIND.

FENCING NOTES:

1. CONFIRM ALL FENCING QUANTITIES AND DIMENSIONS.
2. FOR FENCING DETAILS, SEE SHEETS 135
3. PROVIDE STAINLESS STEEL TAMPER PROOF FASTENERS.

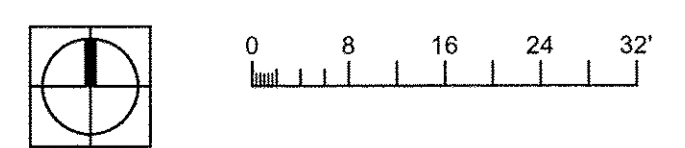
PLANT SCHEDULE

TREES							
CODE	QUANTITY	PAY ITEM	BOTANICAL NAME	COMMON NAME	SIZE	ROOT	REMARKS
AS	2	A2001722	Acer saccharum 'Ballista'	Fall Fiesta Sugar Maple	2.5" Cal	B&B	matching heads
CB	4	XX006570	Carpinus betulus	Common Hornbeam	8" H	B&B	matching heads
CC	6	B2001167	Cercis canadensis	Eastern Redbud	8" H	B&B	matching heads
SHRUBS							
CODE	QUANTITY	PAY ITEM	BOTANICAL NAME	COMMON NAME	SIZE	ROOT	REMARKS
HA	137	XX008639	Hydrangea arborescens	Smooth Hydrangea	#5	pot	36" o.c., per plan
SC	223	XX008639	Spiraea x cinerea 'Grefsheim'	Grefsheim Spiraea	#5	pot	36" o.c., per plan
PERENNIALS / GRASSES / GROUNDCOVERS							
CODE	QUANTITY	PAY ITEM	BOTANICAL NAME	COMMON NAME	SIZE	ROOT	REMARKS
AH	271	K0012990	Amsonia hubrichtii	Threadleaf Bluestar	#1	pot	24" o.c.
CN	529	K0012990	Calamintha nepeta	Lesser Calamint	#1	pot	18" o.c.
GR	424	K0012990	Geranium 'Rozanne'	Rozanne Geranium	#1	pot	18" o.c.
LS	3276	K0013000	Liriope spicata	Lily Turf	2"	plug	8" o.c.
SS	725	K0012990	Schizachyrium scoparium	Little Bluestem	#1	pot	18" o.c.

FURNISHING SCHEDULE

QUANTITY	ITEM	REMARKS
33	Bike Rack	--

1 ILLINI UNION LANDSCAPE PLAN
1/16" = 1'-0"



LAYOUT
DRAWN
REVIEWED

FILE NAME = 7523_SITE.DWG
PLOT DATE = 3/22/16 5:57:03 PM

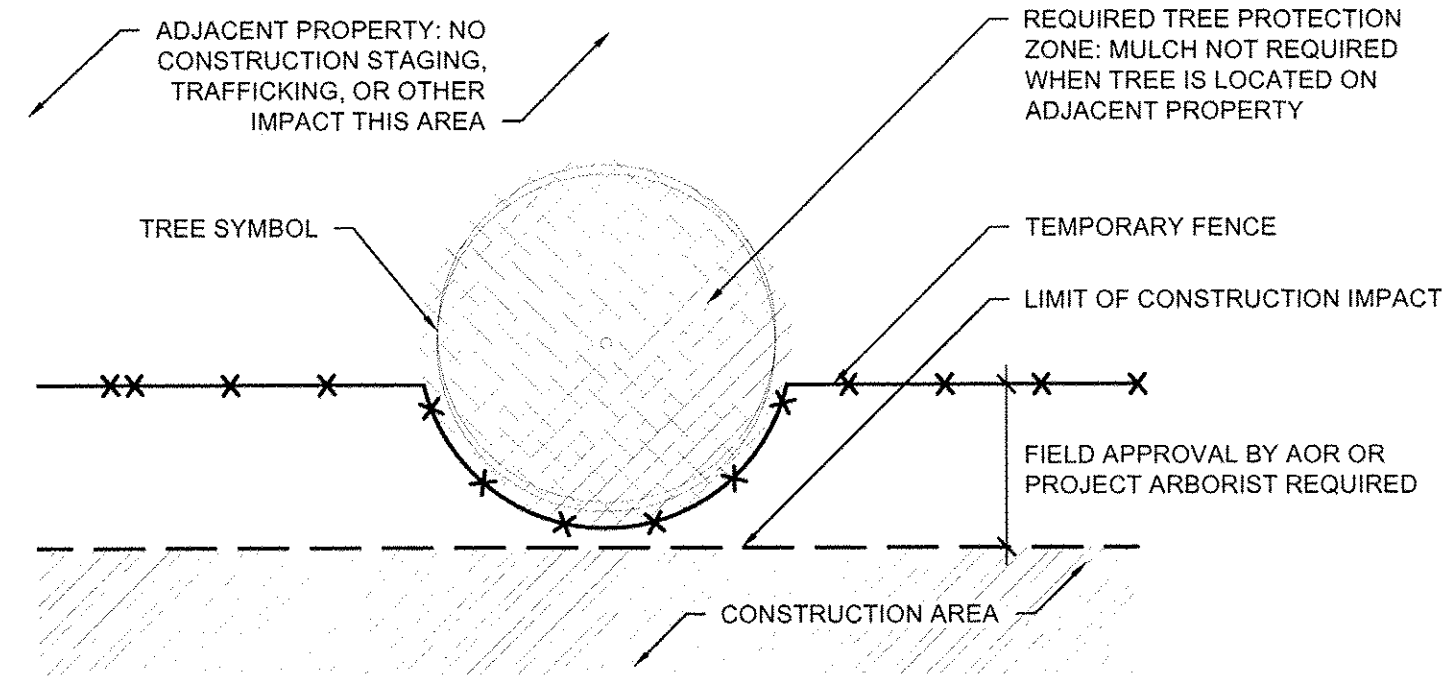
DESIGNED	— BK	REVISED	—
DRAWN	— JR	REVISED	—
CHECKED	— BM	REVISED	—
DATE	— MARCH 2016	REVISED	—

STATE OF ILLINOIS
DEPARTMENT OF TRANSPORTATION

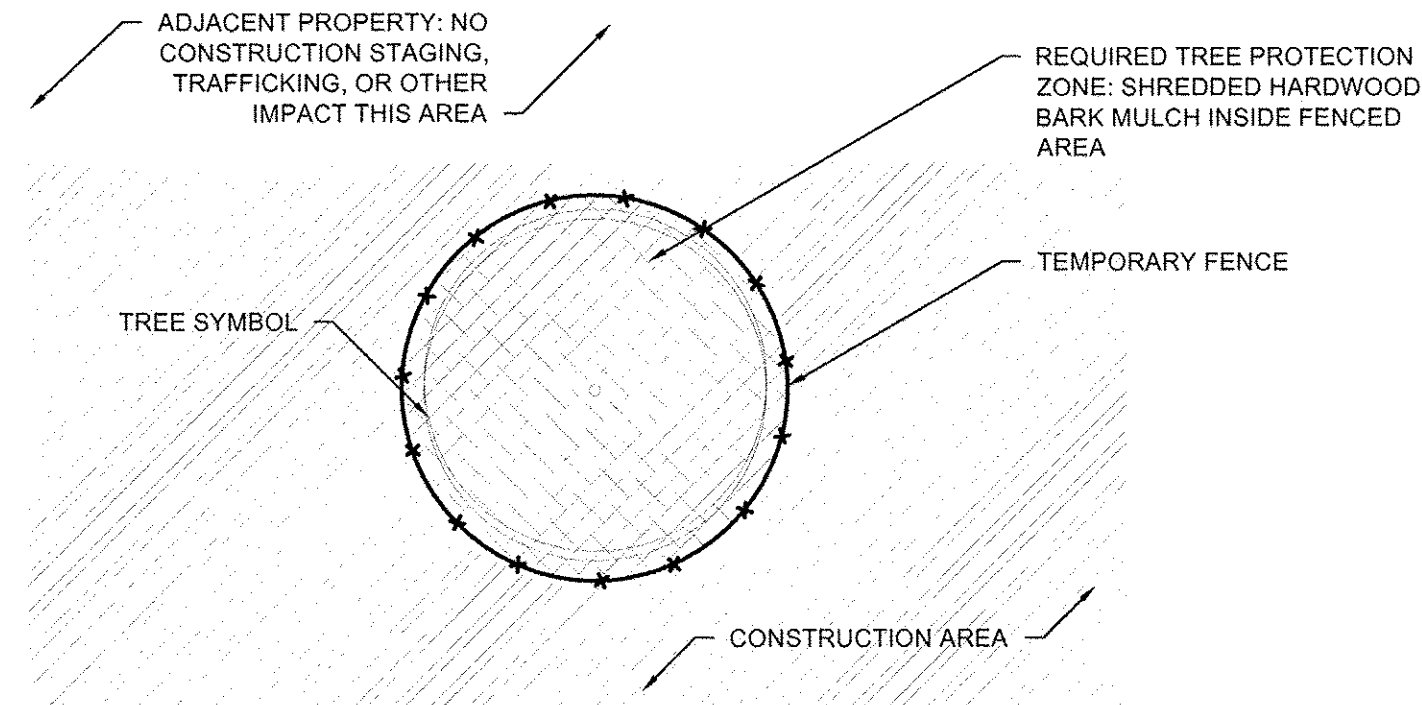
**ILLINI UNION
LANDSCAPE PLAN**

SCALE: SHEET NO. 134 OF 236 SHEETS STA. TO STA.

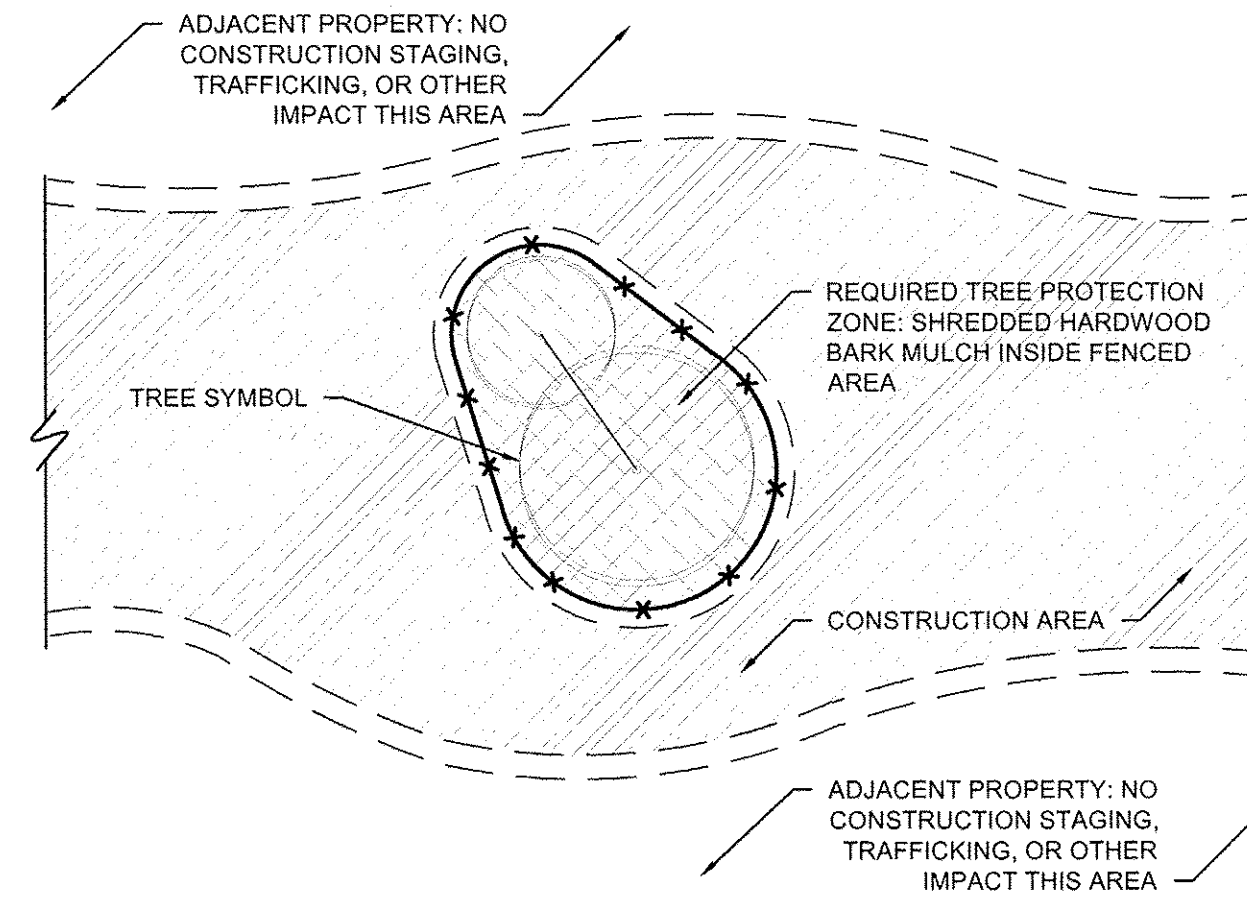
F.A.U. RTE.	SECTION	COUNTY	TOTAL SHEETS	SHEET NO.
	15-00304-01-PV	CHAMPAIGN	236	134
MCORE PROJECT 1			CONTRACT NO.91539	
JOB NO. C-95-305-16 ILLINOIS FED. AID PROJECT				



1A TEMPORARY FENCE INTERSECTS PROPERTY LIMIT;
NO ROOT PRUNING REQUIRED PLAN
NOT TO SCALE



2A TREE PROTECTION ENTIRELY
WITHIN CONSTRUCTION AREA PLAN
NOT TO SCALE

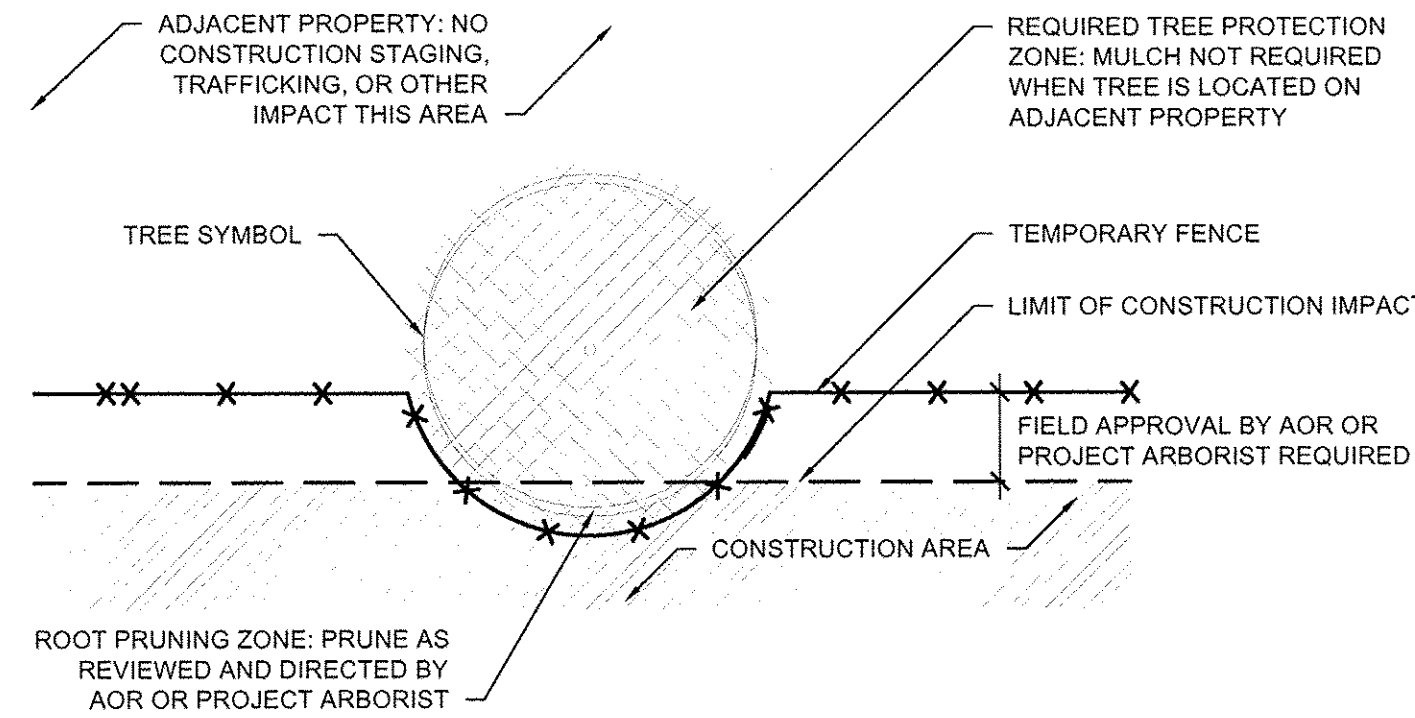


3A GROUP TREE PROTECTION
ENTIRELY WITHIN CONSTRUCTION AREA PLAN
NOT TO SCALE

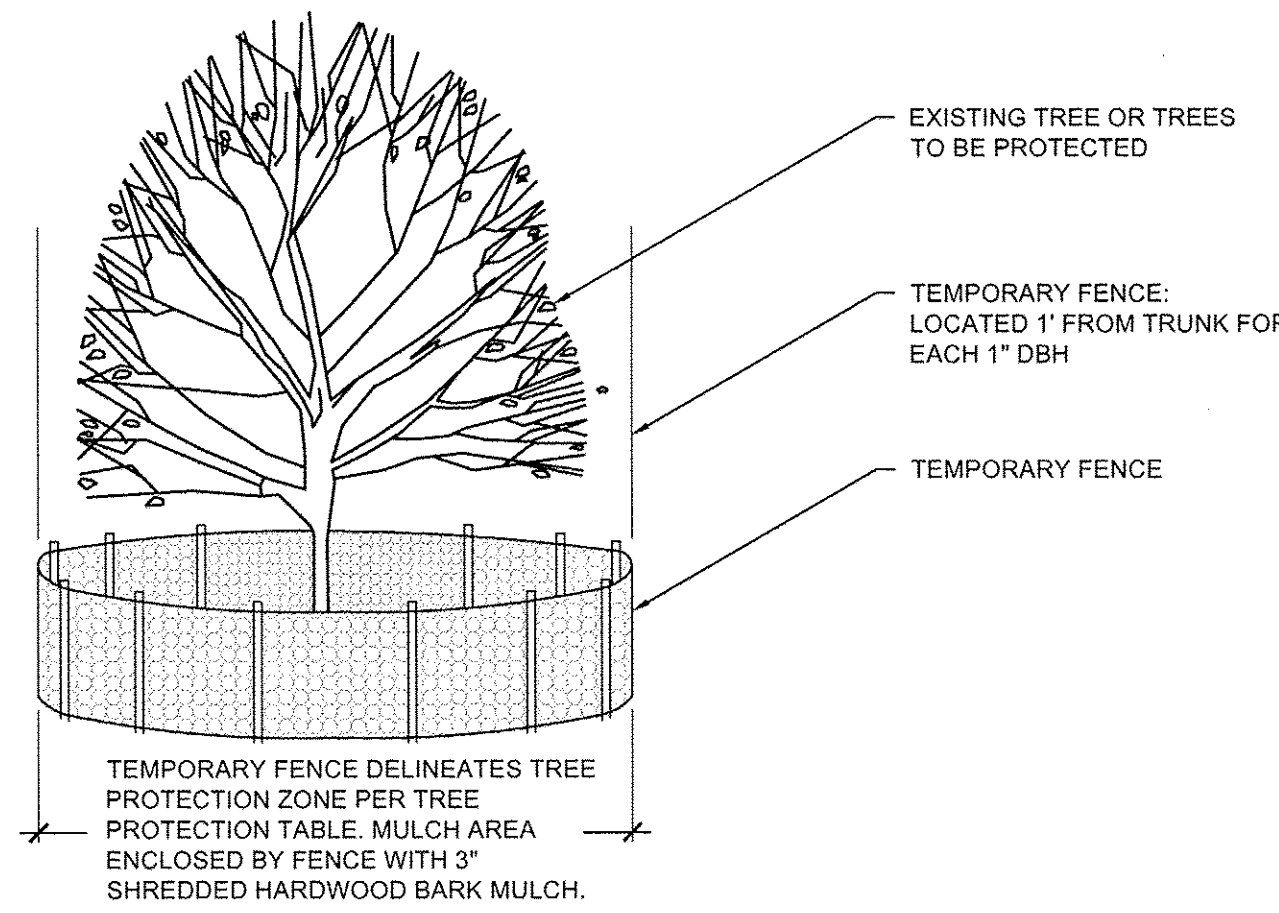
TREE PROTECTION NOTES:

- THE PROTECTION OF TREES IS EXTREMELY IMPORTANT. TREE PROTECTION DEFICIENCIES ARE DETERMINED BY THE CERTIFIED ARBORIST AND MAY INCLUDE BUT ARE NOT LIMITED TO:
- 1. TREE PROTECTION NOT IN PLACE AT THE START OF CONSTRUCTION.
- 2. TEMPORARY FENCING DAMAGED OR DOWN.
- 3. CONTRACTOR VEHICLES OR EQUIPMENT OR PERSONAL VEHICLES DRIVING OR PARKING UNDER TREES
- 4. ANY ENCROACHMENT IN TEMPORARY FENCING
- 5. PLACEMENT OF ANY MATERIAL WITHIN THE TEMPORARY FENCING OR TREE DRIPLINES
- 6. DAMAGE TO ANY TREE
- 7. UNAUTHORIZED REMOVAL OF TREES
- 8. UNAUTHORIZED CHANGES IN GRADE
- THE CONTRACTOR MUST HAND DIG WHEN IN THE DRIPLINE OF PROTECTED TREES.
- IN THE EVENT THAT A TREE IS DAMAGED BY THE CONTRACTOR'S OPERATION OR PERSONNEL, THE CONTRACTOR SHALL BE RESPONSIBLE FOR REPAIR OR REMEDIATION OF THE DAMAGE AS DETERMINED BY THE CERTIFIED ARBORIST AND/OR UNIVERSITY OF ILLINOIS AND BUREAU OF FORESTRY. IN THE EVENT THAT THE DAMAGE TO THE TREE IS BEYOND REPAIR AND REQUIRES REMOVAL OR THE CONTRACTOR MISTAKENLY REMOVED THE TREE, THE TREE MUST BE REPLACED AT THE CONTRACTOR'S EXPENSE. AT A MINIMUM ANY TREE GREATER THAN 4" SHALL BE REPLACED WITH A NEW TREE AS IDENTIFIED BY THE UNIVERSITY AND/OR BUREAU OF FORESTRY AND SHALL HAVE A MINIMUM OF 4" CALIPER B&B. ANY DAMAGED TREE SMALLER THAN 4" CALIPER MEASURED 6" ABOVE GROUND SHALL BE REPLACED IN KIND, INCH FOR INCH.
- THE QUALITY OF THE REPLACEMENT TREE MUST BE EQUIVALENT TO THE STANDARDS OF THE BUREAU OF FORESTRY. THE COST OF THIS WORK WILL BE THE RESPONSIBILITY OF THE CONTRACTOR.

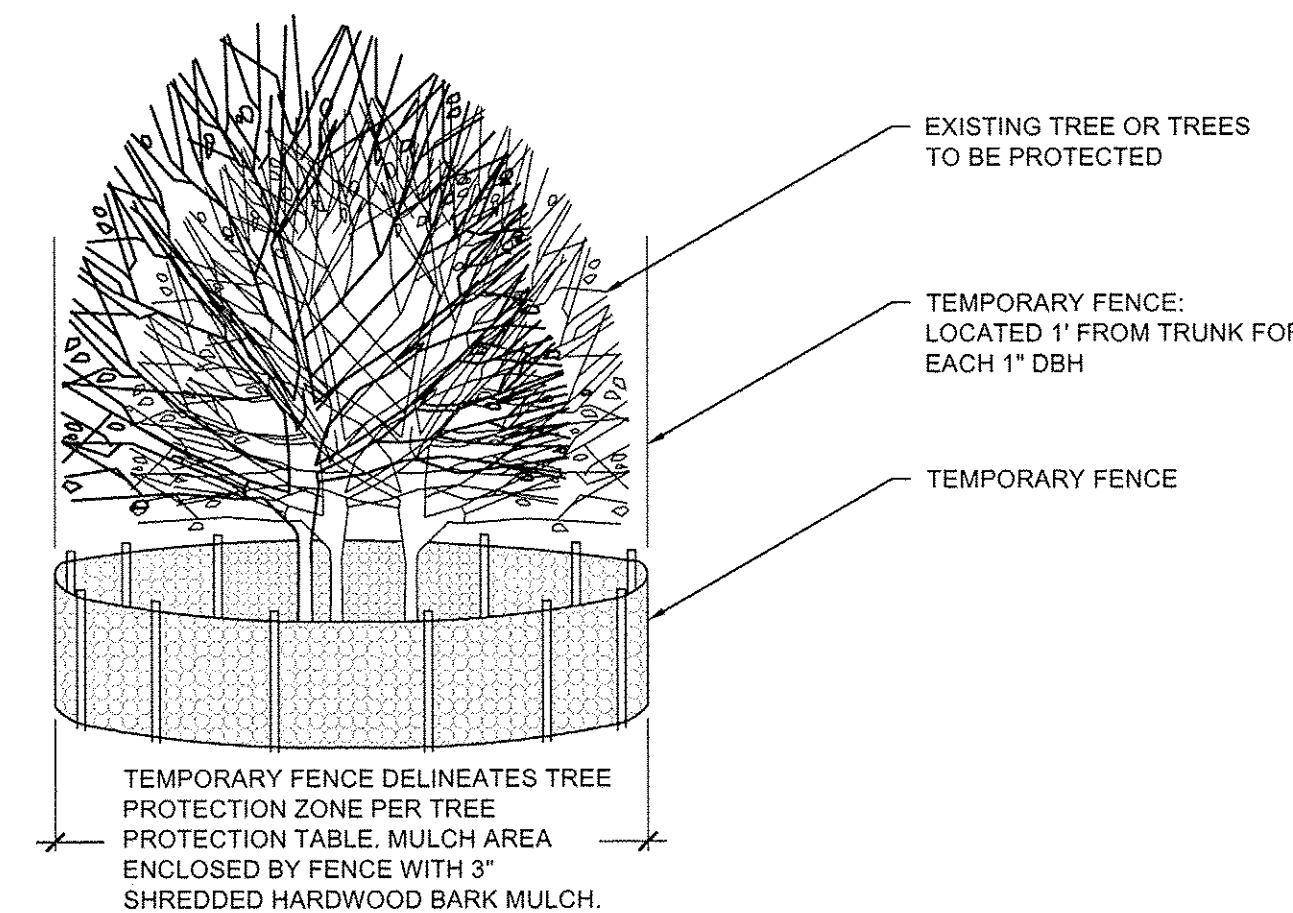
TEMPORARY FENCING SCHEDULE		
QUANTITY	ITEM	REMARKS
3,756 LF	Temporary Fence	Temporary Fence



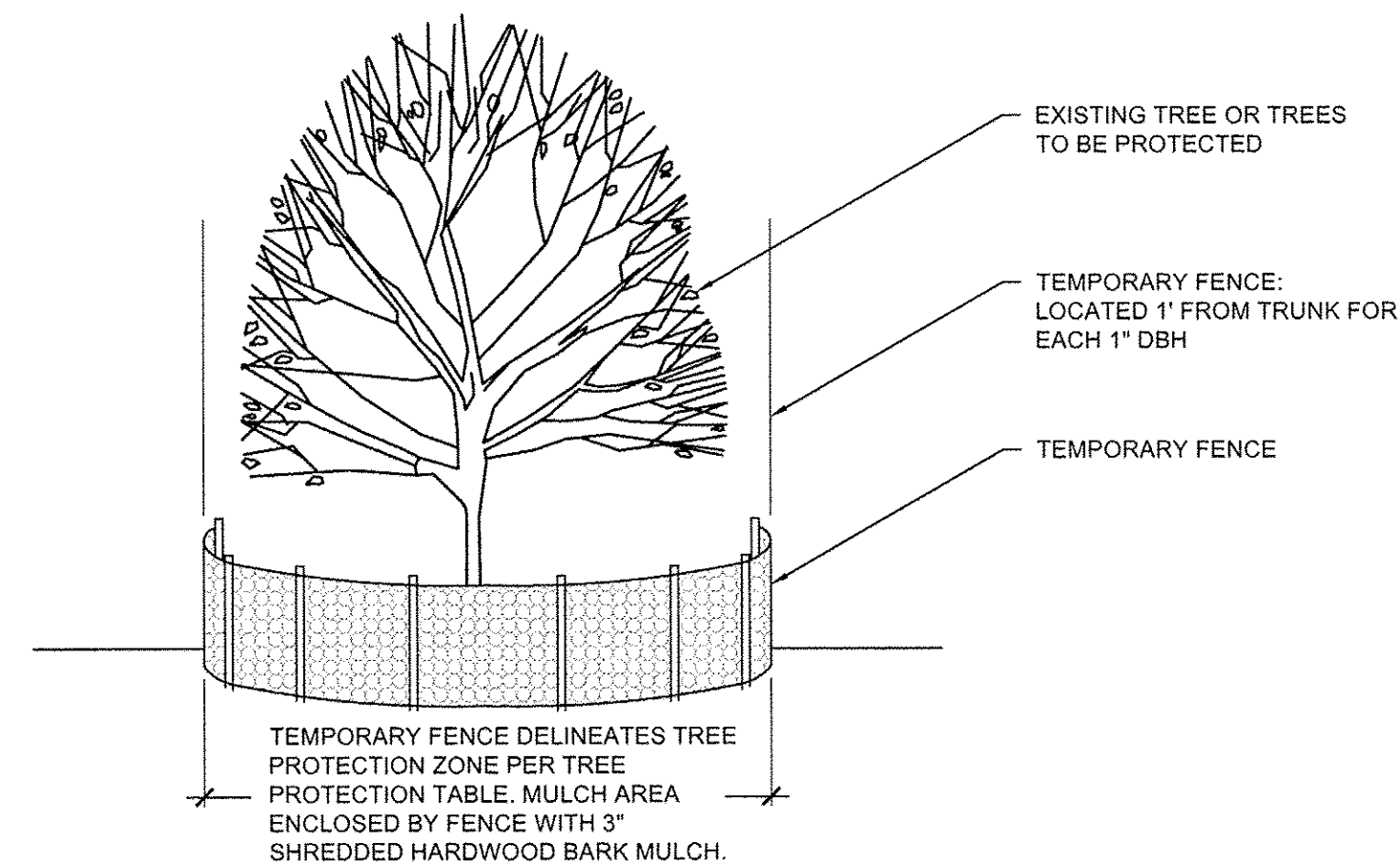
1B TEMPORARY FENCE INTERSECTS PROPERTY LIMIT;
ROOT PRUNING REQUIRED PLAN
NOT TO SCALE



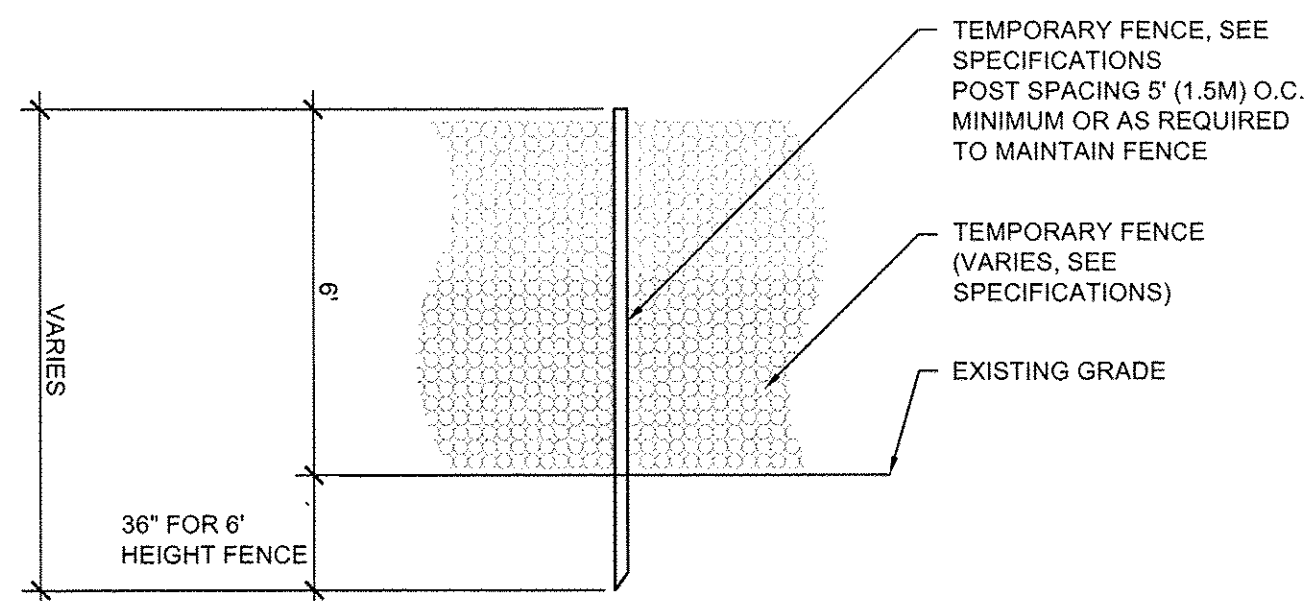
2B TREE PROTECTION ENTIRELY
WITHIN CONSTRUCTION AREA ELEVATION
NOT TO SCALE



3B GROUP TREE PROTECTION
ENTIRELY WITHIN CONSTRUCTION AREA ELEVATION
NOT TO SCALE



1C TEMPORARY FENCE INTERSECTS PROPERTY LIMIT;
NO ROOT PRUNING REQUIRED ELEVATION
NOT TO SCALE



4 TEMPORARY FENCE
NOT TO SCALE

TREE PROTECTION	FLAG TAPE COLOR	RADIUS OF TREE CHAIN LINK PROTECTION FENCE FROM TRUNK	MULCH TREE PROTECTION ZONE
ADJACENT PROPERTY	NONE	NONE, TREE PROTECTED BY TEMPORARY FENCE AT PROJECT LIMITS	NO
TREE WITH TEMPORARY FENCE	GREEN	1'-5" RADIUS FOR EACH 1" (2.54 cm) DBH*, OR AS APPROVED BY ENGINEER OR PROJECT ARBORIST	YES, 3" DEPTH OF HARDWOOD BARK MULCH, NOT IN CONTACT WITH THE TRUNK
TREE WITH TEMPORARY FENCE, ROOTPRUNED	GREEN & YELLOW	1'-5" RADIUS FOR EACH 1" (2.54 cm) DBH*, OR AS APPROVED BY ENGINEER OR PROJECT ARBORIST	YES, 3" DEPTH OF HARDWOOD BARK MULCH, NOT IN CONTACT WITH THE TRUNK
TREE TO BE REMOVED	RED	NONE, TREES MUST BE REMOVED PRIOR TO START OF CONSTRUCTION	NO

*DBH - DIAMETER AT BREAST HEIGHT MEASURED AT 4.5' FROM BASE OF TREE.

5 TREE PROTECTION TABLE AND NOTES
NOT TO SCALE

LAYOUT	
DRAWN	
REVIEWED	

FILE NAME = 7523_TREEPROTECT.DWG
PLOT DATE = 3/22/16 5:57:03 PM

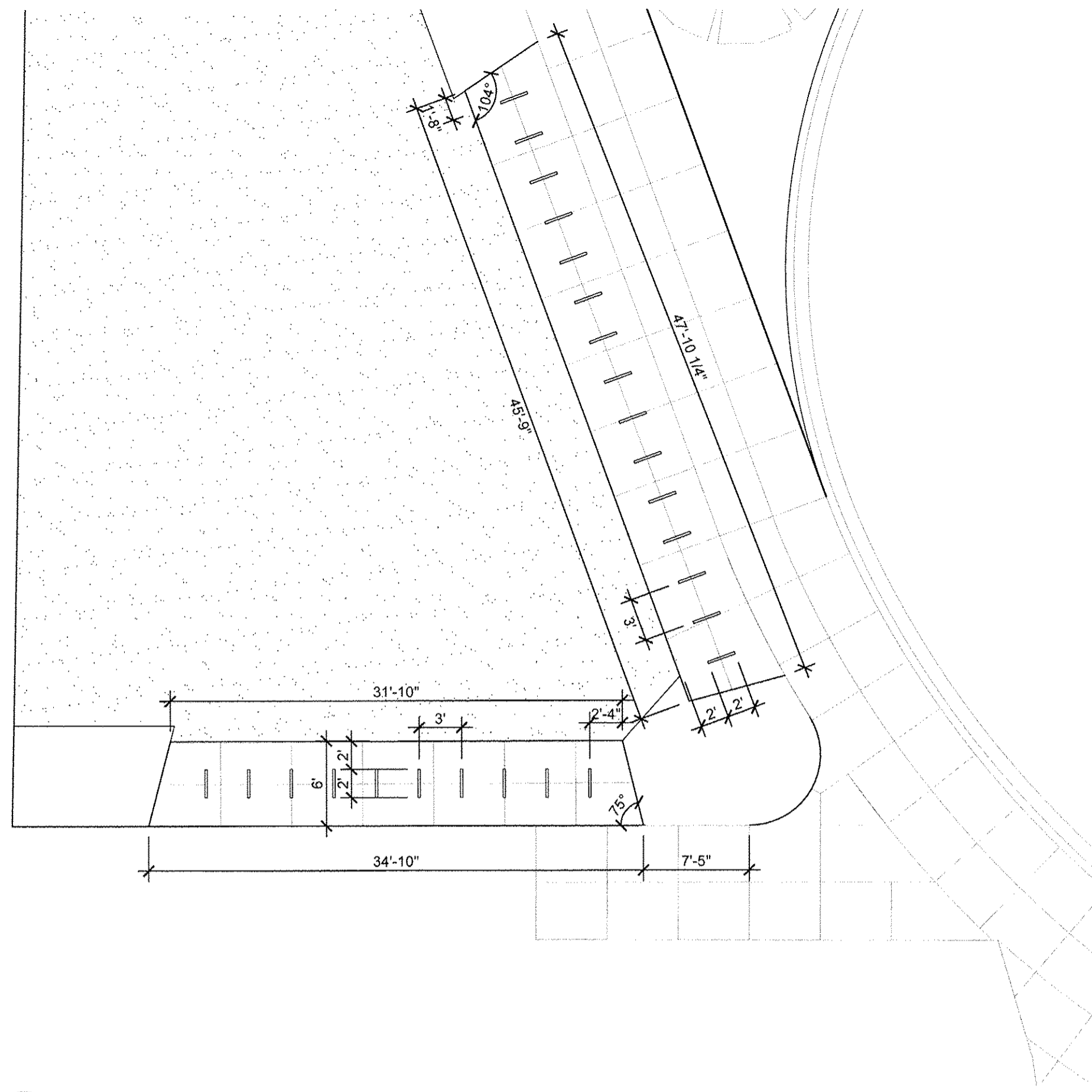
DESIGNED — BK	REVISED —
DRAWN — JR	REVISED —
CHECKED — BM	REVISED —
DATE — MARCH 2016	REVISED —

STATE OF ILLINOIS
DEPARTMENT OF TRANSPORTATION

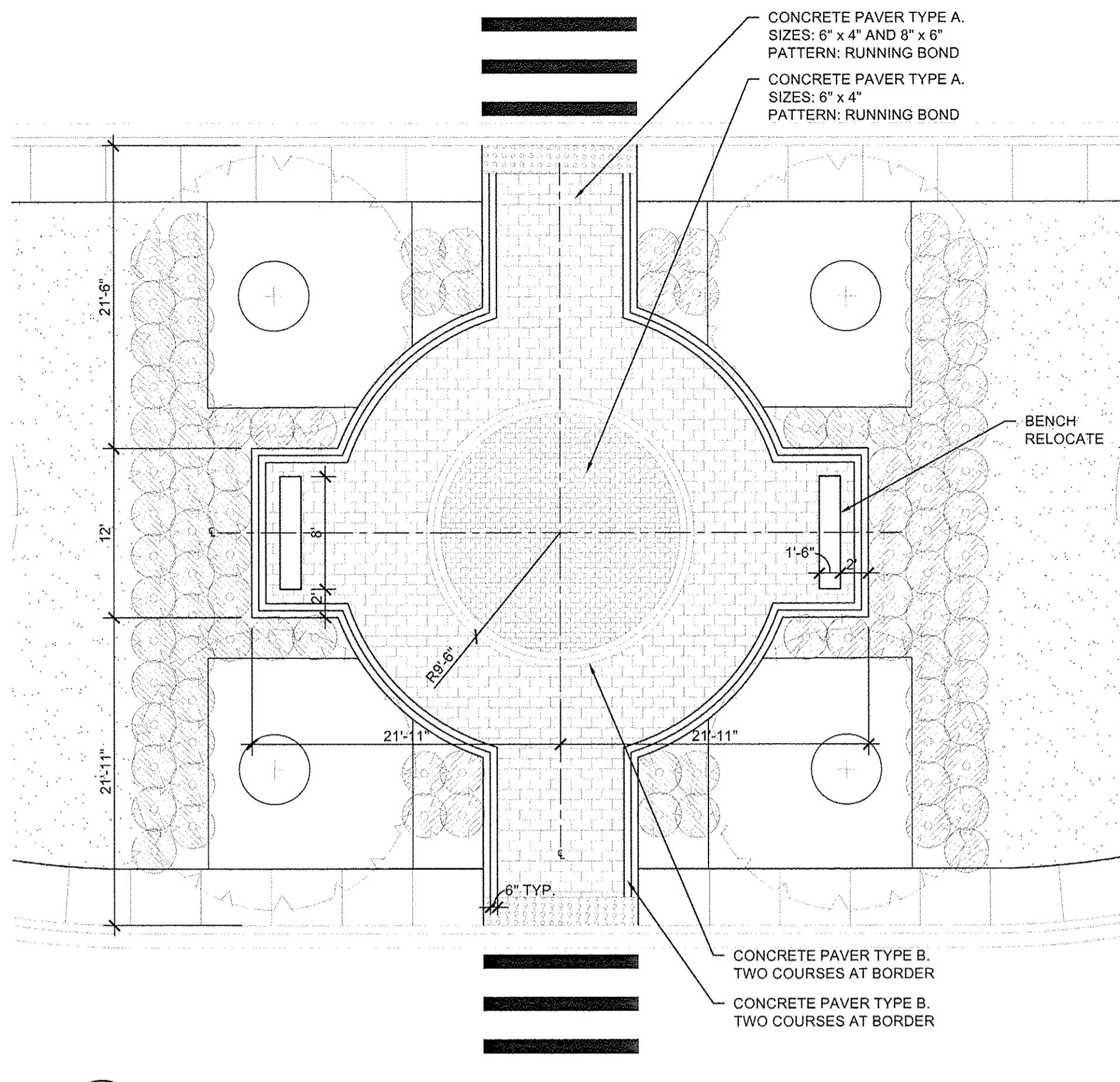
TREE PROTECTION DETAILS

SCALE: SHEET NO. 135 OF 236 SHEETS STA. TO STA.

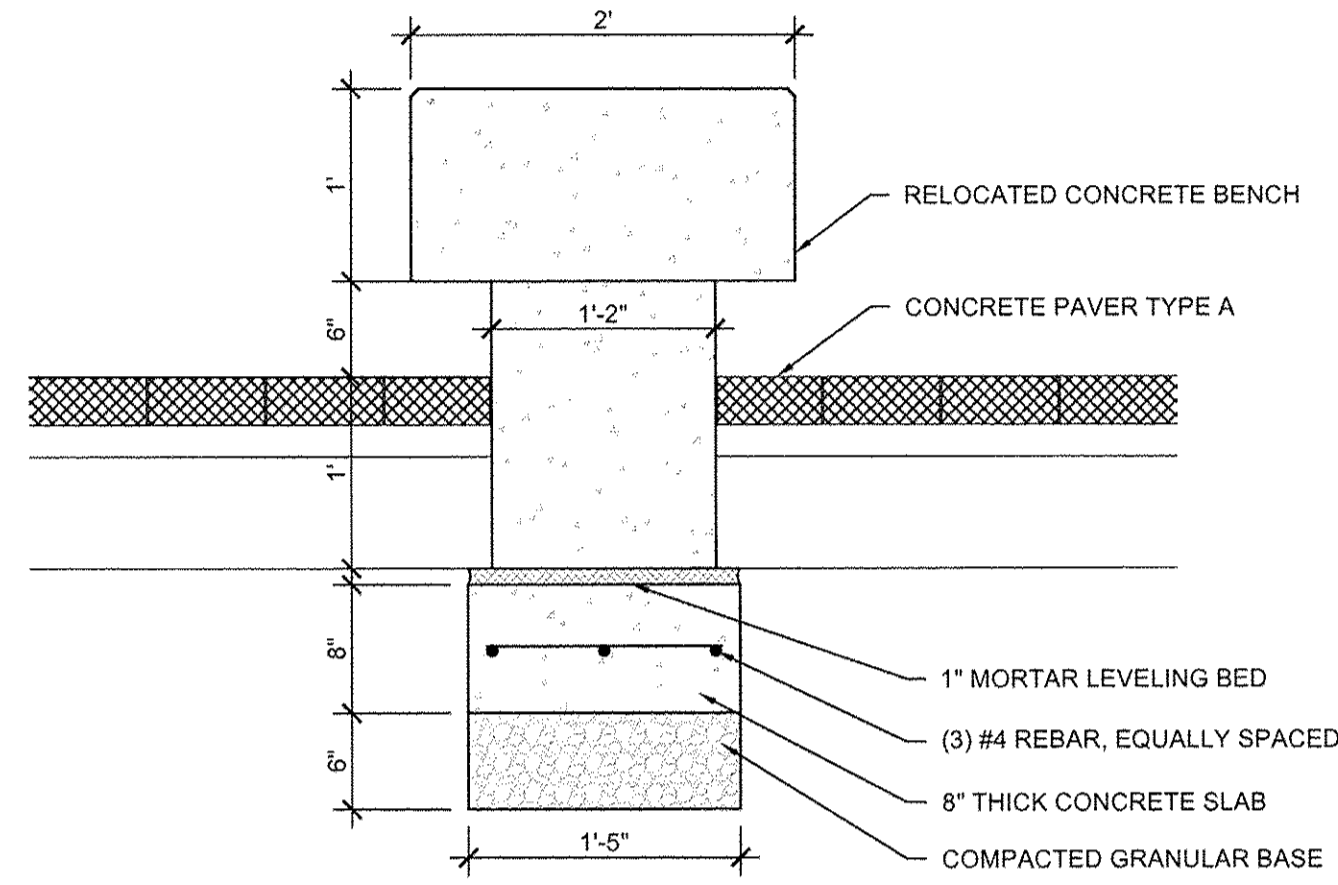
F.A.U. RTE.	SECTION	COUNTY	TOTAL SHEETS	SHEET NO.
	15-00304-01-PV	CHAMPAIGN	236	135
MCORE PROJECT 1			CONTRACT NO.91539	
JOB NO. C-95-305-16 ILLINOIS FED. AID PROJECT				



1 BIKE RACK ENLARGEMENT PLAN
1/8" = 1'-0"



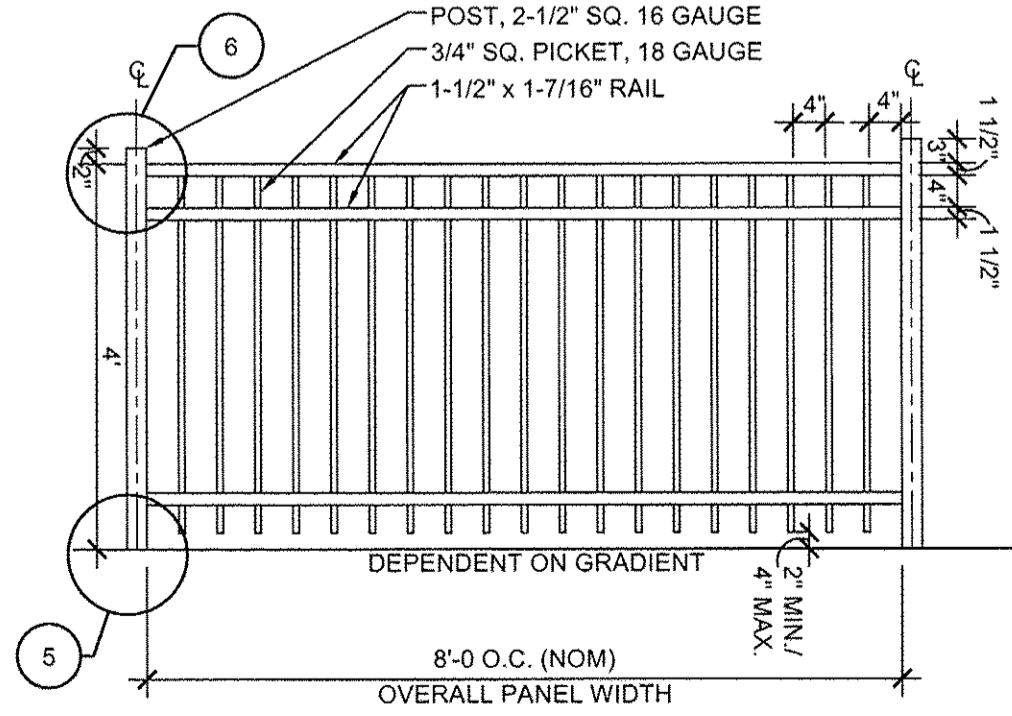
2 PLAZA ENLARGEMENT PLAN
1/8" = 1'-0"



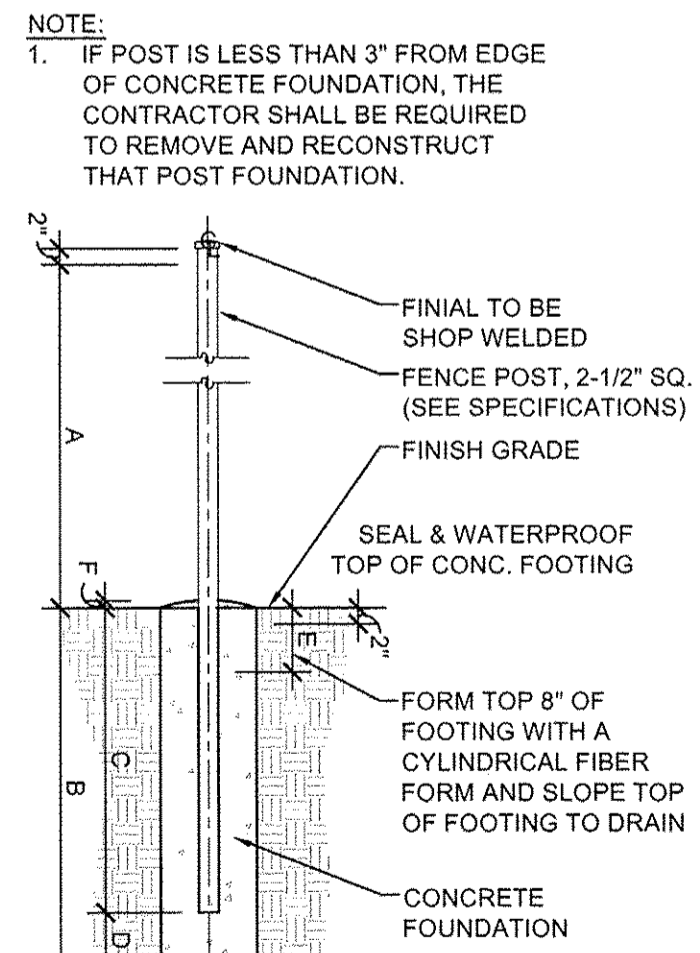
3 BENCH RELOCATE DETAIL
1" = 1'-0"

POST DIMENSION / FOOTING DEPTH				
	POST DIMENSIONS / FOOTING DEPTH			
A	4' - 0"	5' - 0"	6' - 0"	8' - 0"
B	3' - 6"	4' - 0"	4' - 6"	5' - 6"
C	3' - 0"	3' - 6"	4' - 0"	5' - 0"
D	6"	6"	6"	6"
E	8"	8"	8"	8"
F	1"	1"	1"	1"

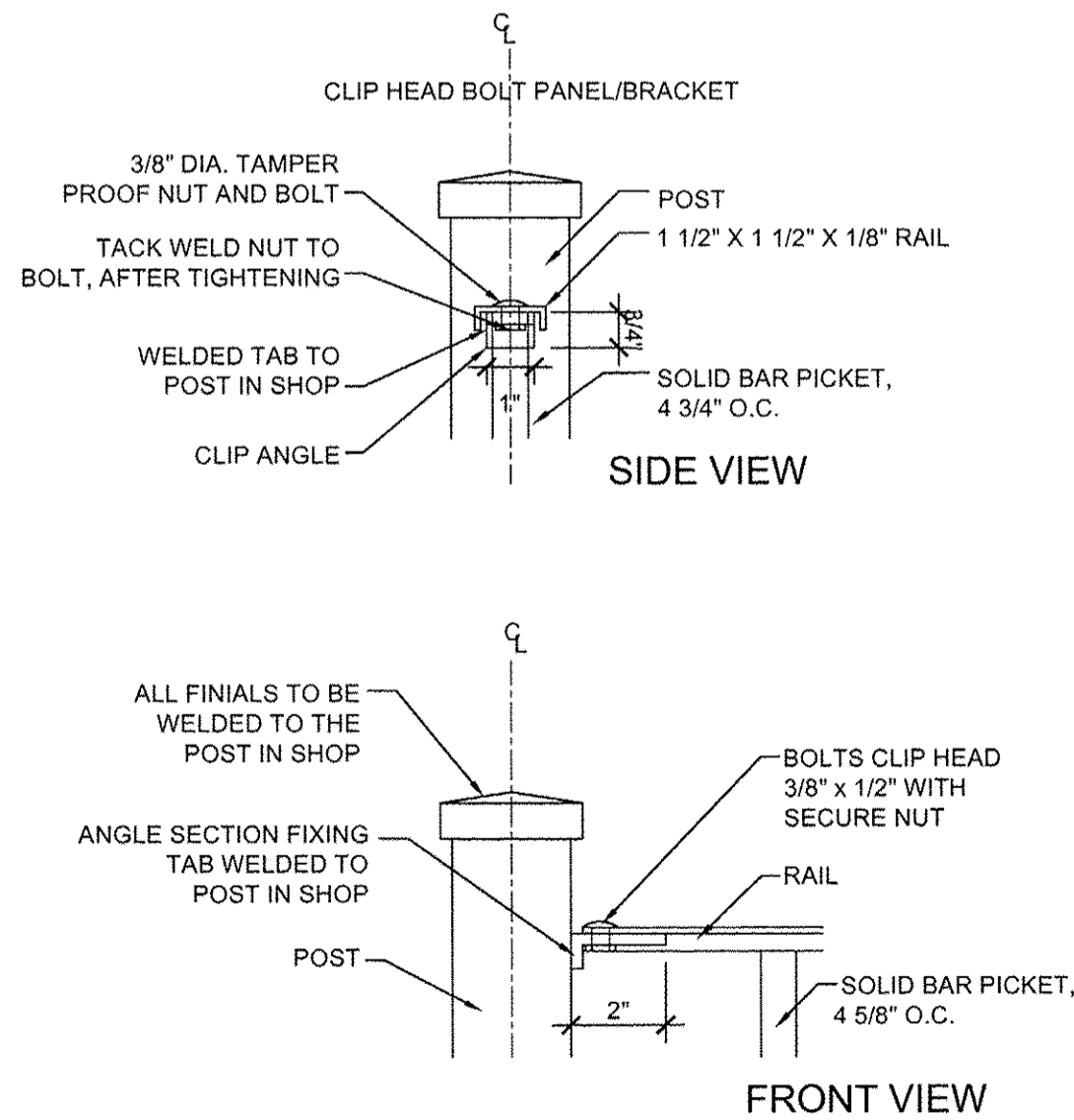
NOTE:
1. CORNER POSTS: 4" SQ.
2. INTERMEDIATE POSTS: 2-1/2" SQ.



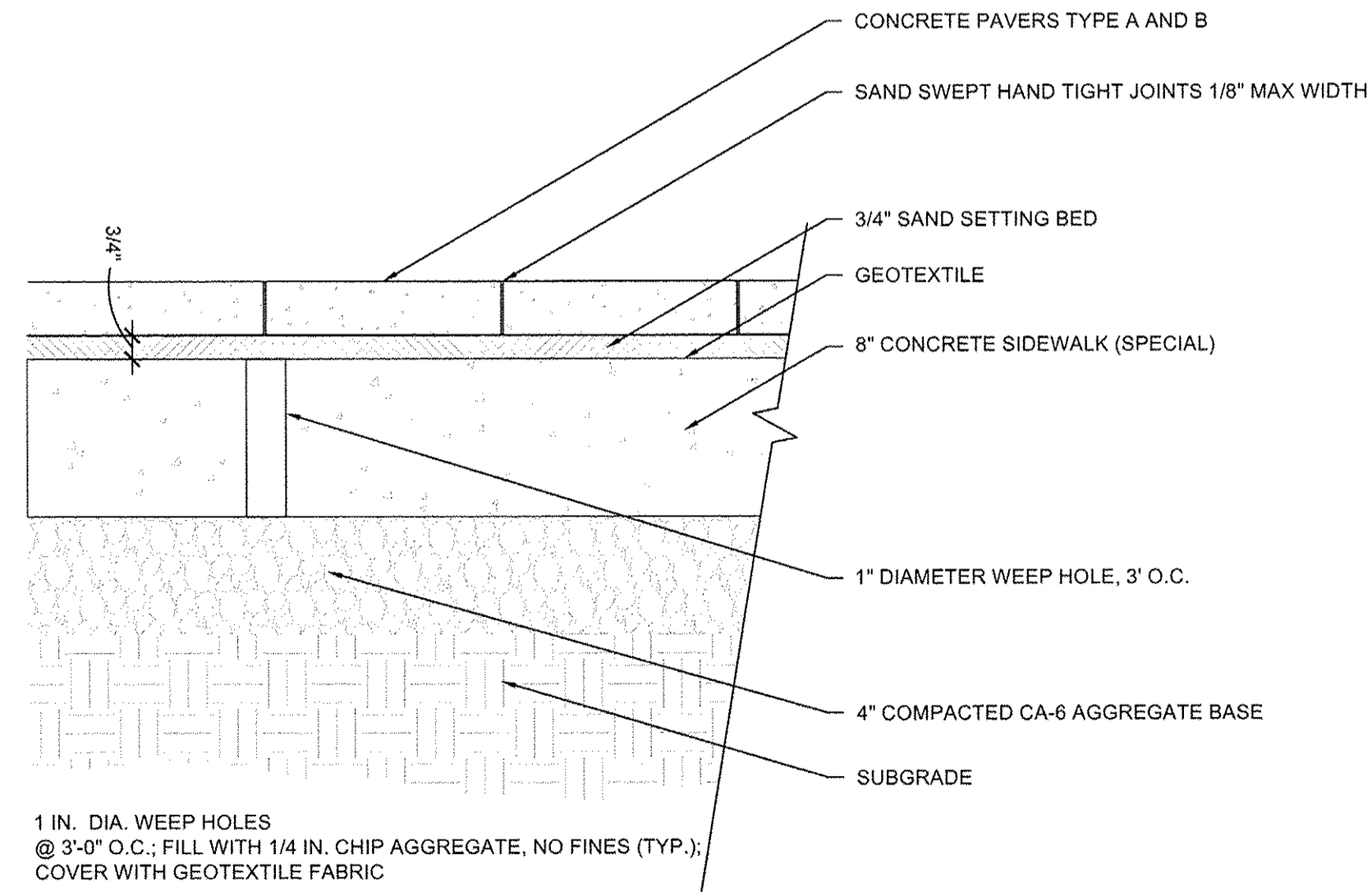
4 4'H ORNAMENTAL METAL FENCE DETAIL
1/2" = 1'-0"



5 ORNAMENTAL METAL FENCE POST FOOTING DETAIL
1/2" = 1'-0"



6 POST CAP DETAIL
3" = 1'-0"



7 PRECAST CONCRETE PAVER DETAIL
1 1/2" = 1'-0"

LAYOUT	
DRAWN	
REVIEWED	

FILE NAME =
7523_LANDDTLS.DWG
PLOT DATE =
3/22/16 5:57:03 PM

DESIGNED -- BK
DRAWN -- JR
CHECKED -- BM
DATE -- MARCH 2016

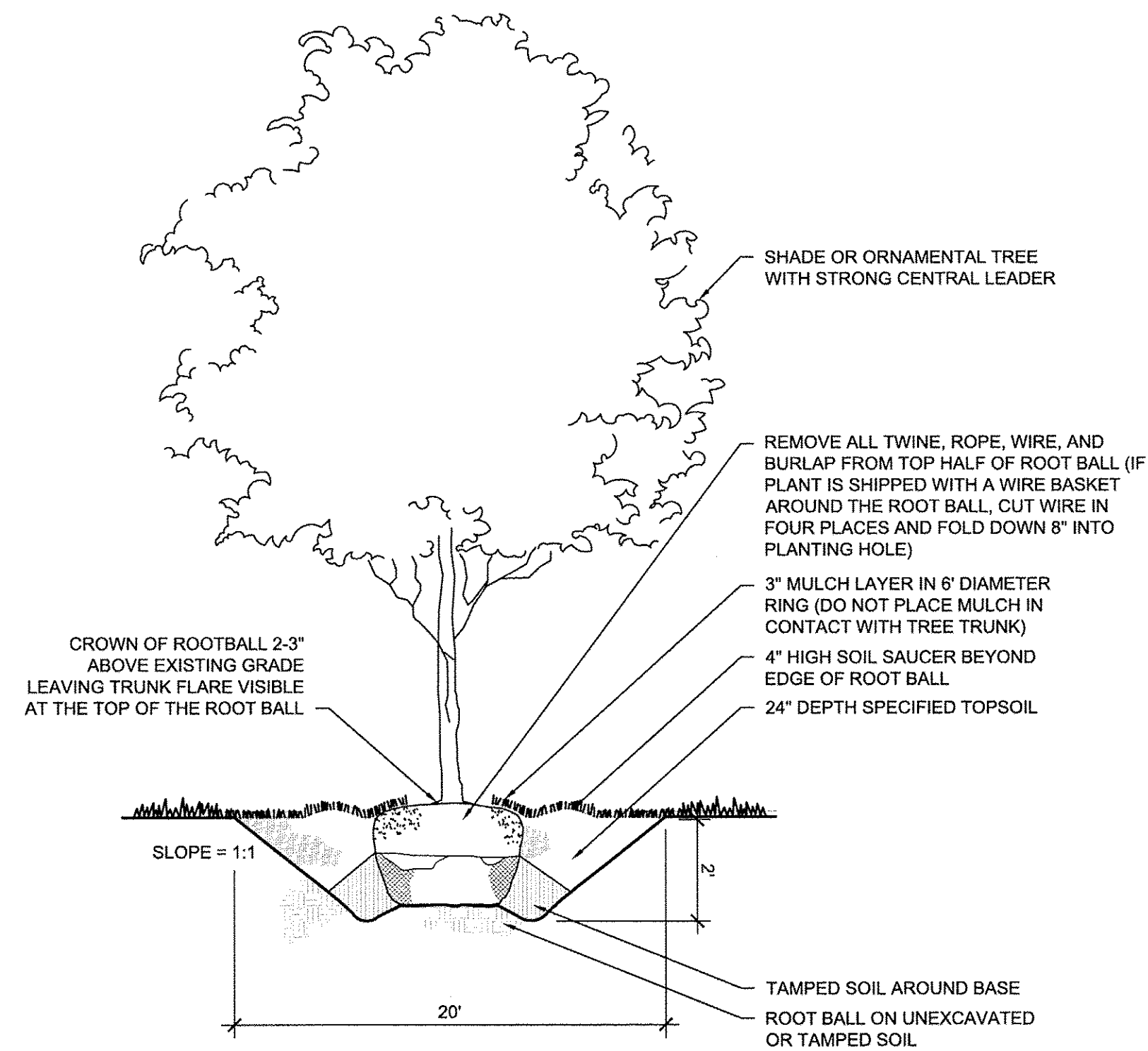
REVISED --
REVISED --
REVISED --
REVISED --

STATE OF ILLINOIS
DEPARTMENT OF TRANSPORTATION

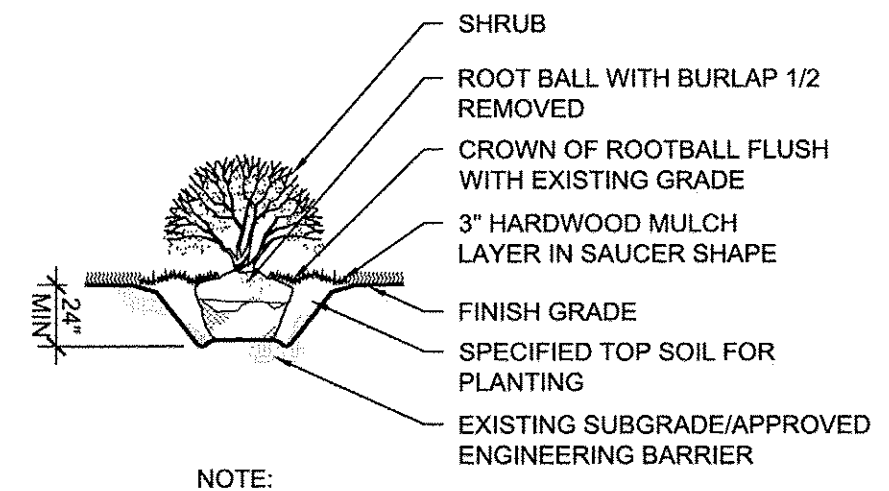
ILLINI UNION
LANDSCAPE PLAN

F.A.U. RTE.	SECTION	COUNTY	TOTAL SHEETS	SHEET NO.
	15-00304-01-PV	CHAMPAIGN	236	136
MCORE PROJECT 1			CONTRACT NO.91539	
JOB NO. C-95-305-16 ILLINOIS FED. AID PROJECT				

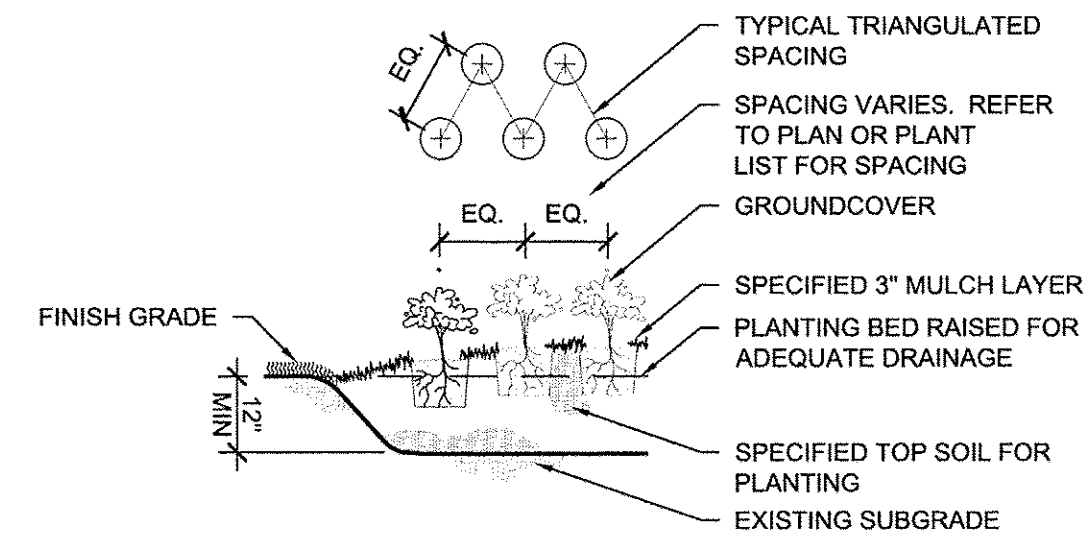
SCALE: SHEET NO. 136 OF 236 SHEETS STA. TO STA.



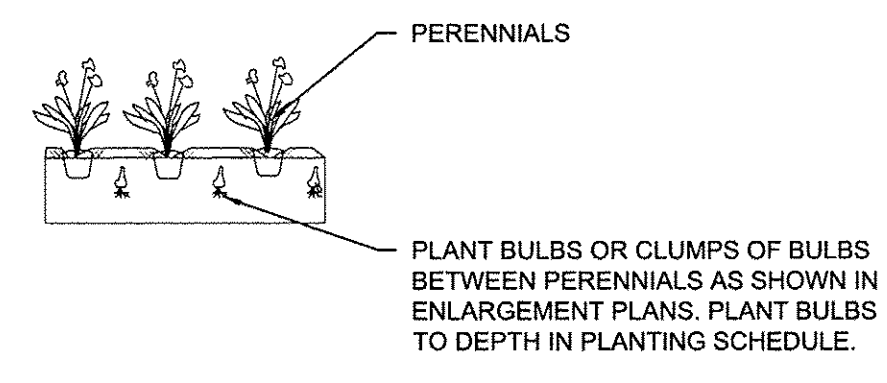
1 SHADE TREE PLANTING SECTION
NOT TO SCALE



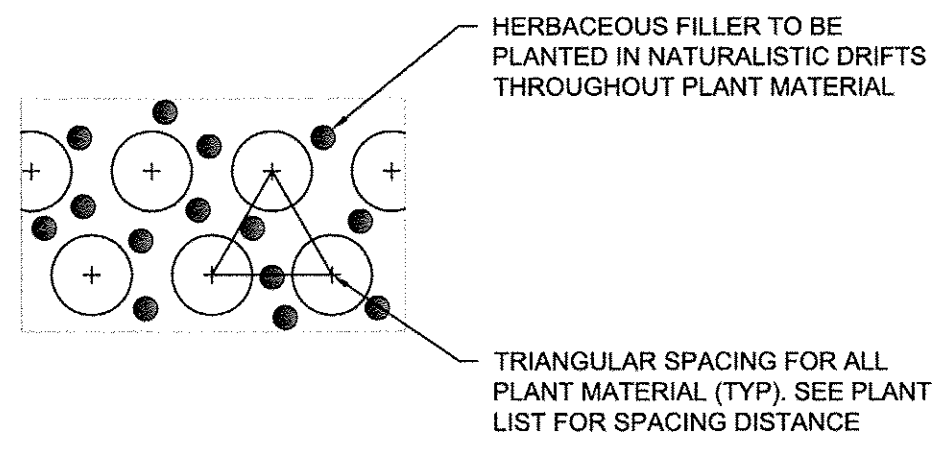
2 SHRUB PLANTING SECTION
NOT TO SCALE



3 PERENNIAL PLANTING SECTION
NOT TO SCALE



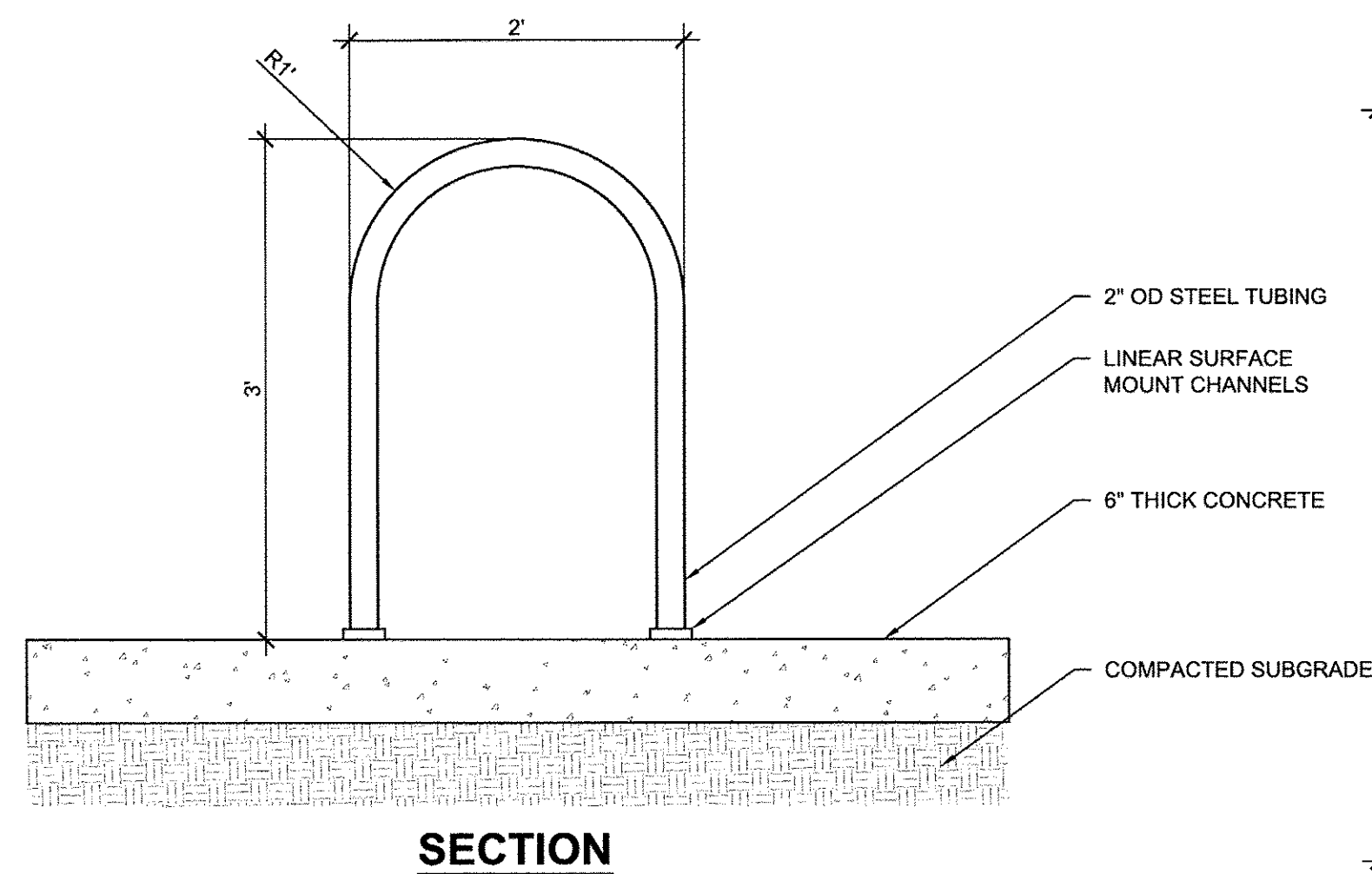
4 BULB INSTALLATION DETAIL
NOT TO SCALE



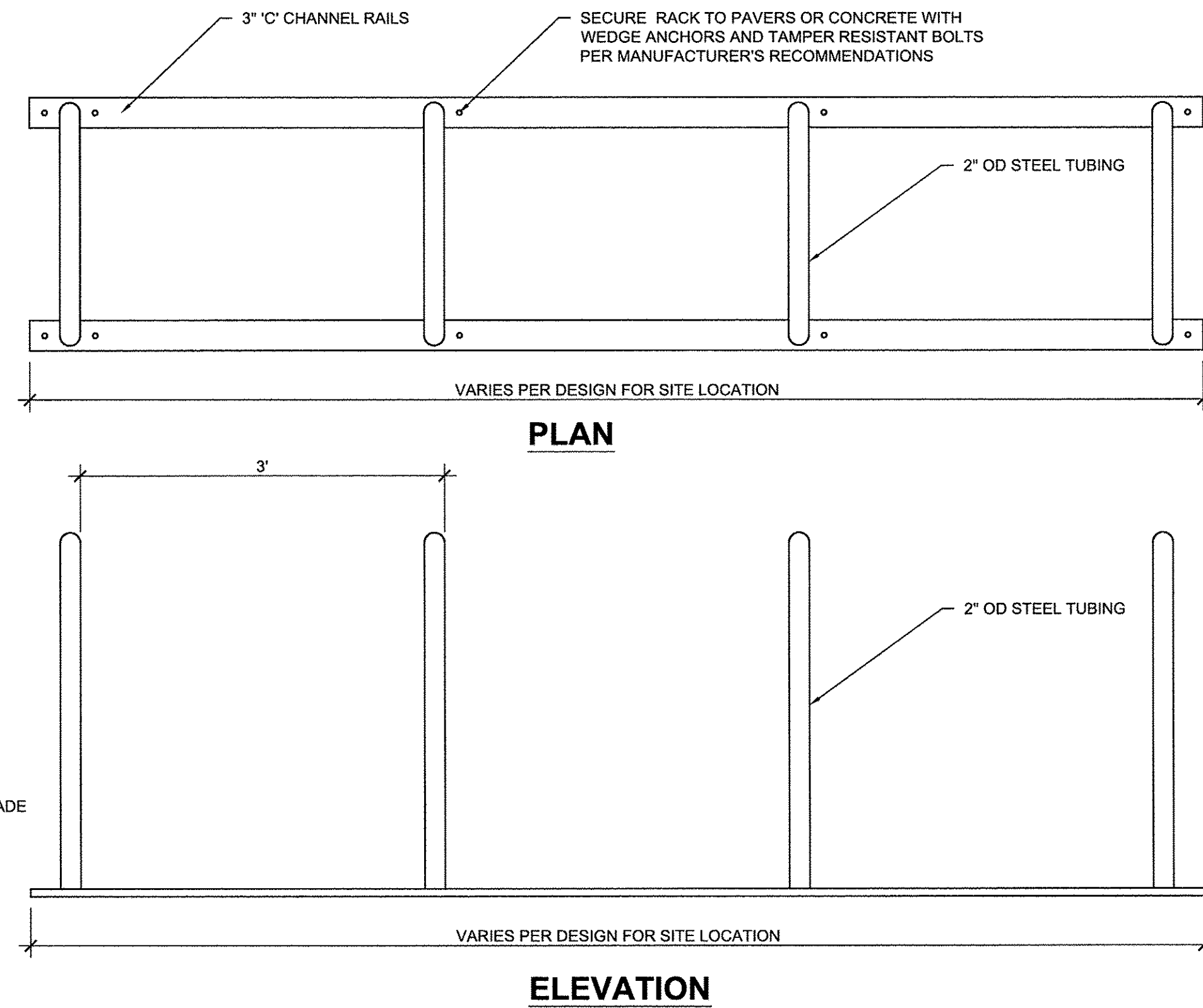
5 INTERPLANTING DETAIL
NOT TO SCALE

GENERAL PLANTING NOTES

1. DETERMINE EXACT LOCATIONS OF ALL UNDERGROUND UTILITIES AND VERIFY IN FIELD. REPORT ANY CONFLICTS TO ENGINEER PRIOR TO BEGINNING WORK.
2. INFORM ENGINEER AS EACH PHASE OF WORK IS UNDERTAKEN.
3. PROTECT EXISTING VEGETATION INCLUDING ALL EXISTING PARKWAY AND INTERIOR TREES. REPLACE DAMAGED VEGETATION WITH APPROVED SIMILAR MATERIAL.
4. MAINTAIN SITE DRAINAGE DURING LANDSCAPE INSTALLATION.
5. SLOPE ALL PLANTING AREAS AWAY FROM BUILDING AT 2% MINIMUM GRADE UNLESS NOTED OTHERWISE.
6. PRIOR TO LANDSCAPE INSTALLATION, VERIFY PLANTING AREAS ARE GRADED AT +/- 0.1 FOOT TO FINISH GRADE.
7. IN LANDSCAPE AREAS, FINISH GRADE TO 4" MINIMUM BELOW ADJACENT BUILDING FINISH FLOOR ELEVATION UNLESS NOTED OTHERWISE.
8. FINISH GRADE TO 1" BELOW FINISH PAVING SURFACE IN LAWN AREAS AND 2" BELOW IN PLANTING AREAS.
9. CONFIRM ALL PLANT QUANTITIES. PROVIDE PLANT MATERIALS SUFFICIENT TO COVER AREAS SHOWN ON PLANS AT THE SPACINGS INDICATED.
10. PROVIDE SINGLE TRUNK STANDARD TREES UNLESS NOTED OTHERWISE.
11. PROVIDE IDENTIFICATION TAG FROM THE SUPPLYING NURSERY SHOWING COMMON AND BOTANICAL PLANT NAMES FOR AT LEAST ONE PLANT OF EACH SPECIES DELIVERED TO THE SITE. PROTECT ALL PLANTS AGAINST HEAT, SUN, WIND AND FROST DURING TRANSPORTATION TO THE SITE AND WHILE BEING HELD AT THE SITE. DO NOT STORE PLANTS IN TOTAL DARKNESS MORE THAN ONE DAY.
12. DO NOT DAMAGE PLANT ROOT BALL DURING TRANSPORTATION OR PLANTING.
13. NOTIFY THE ENGINEER AT THE TIME OF DELIVERY OF ANY PLANT MATERIAL THAT IS DAMAGED OR IN POOR CONDITION.
14. ENGINEER RESERVES THE RIGHT TO INSPECT ALL PLANT MATERIALS BEFORE PLANTING. MATERIAL MAY BE REJECTED AT ANY TIME DUE TO CONDITION, FORM OR DAMAGE BEFORE OR AFTER PLANTING.
15. REMOVE ALL ROCK AND DEBRIS 1" AND LARGER FROM PLANTING AREAS. LEGALLY DISPOSE ALL EXCESS MATERIALS RESULTING FROM THE WORK.
16. IN PLANTING SOIL PIT, REMOVE CRUSHED AGGREGATE TO AN ADEQUATE DEPTH TO ENSURE THAT NO PART OF THE PLANT MATERIAL IS IN CONTACT OR AFFECTED BY THE LIME OR LIMESTONE IN THE AGGREGATE
17. PROVIDE NEW TOPSOIL THAT IS FERTILE, FRIABLE AND NATURAL LOAM SURFACE SOIL, REASONABLY FREE OF SUBSOIL, CLAY, CLAY LUMPS, BRUSH, WEEDS, AND OTHER LITTER AND FREE OF ROOTS, STUMPS, STONES LARGER THAN 2" IN ANY DIMENSION AND OTHER EXTRANEIOUS OR TOXIC MATTER HARMFUL TO PLANT GROWTH. OBTAIN TOPSOIL FROM LOCAL SOURCES OR FROM AREAS HAVING SIMILAR SOIL CHARACTERISTICS TO THAT NECESSARY FOR VIGOROUS GROWTH OF SPECIFIED PLANTINGS. OBTAIN TOPSOIL THAT OCCURS IN A DEPTH OF NOT LESS THAN 6". DO NOT OBTAIN SOIL FROM BOGS OR MARSHES.
18. MIX SOIL AMENDMENTS AND FERTILIZERS WITH TOPSOIL ON A SITE SPECIFIC BASIS AT RATES APPROPRIATE FOR PLANTINGS IN ACCORDANCE WITH IDOT'S STANDARD SPECIFICATIONS.
19. STAKE LOCATION OF ALL TREES, HEDGE LINES AND PLANTING BEDS AND NOTIFY ENGINEER FOR REVIEW PRIOR TO PLANTING.
20. THE PLANTING PLANS ARE DIAGRAMMATIC. SPOT PLANT MATERIALS APPROXIMATELY AS SHOWN ON THE LANDSCAPE DRAWING AND NOTIFY ENGINEER FOR REVIEW BEFORE REMOVING FROM CONTAINERS.
21. INSTALL ALL PLANT MATERIAL IN ACCORDANCE WITH DETAILS AND SPECIFICATIONS.
22. REMOVE ALL PLANT TYING MATERIAL AND MARKING TAPES AT THE TIME OF PLANTING.
23. INSTALL A MIN 3" LAYER OF HARDWOOD BARK MULCH AROUND ALL TREES AND IN ALL PLANTING AREAS UNLESS NOTED OTHERWISE. CREATE A NATURAL SPADED EDGE WHERE PLANTING BEDS MEET TURF AREAS.
24. WATER ALL PLANTS IMMEDIATELY AFTER PLANTING. FLOOD PLANTS TWICE DURING FIRST TWENTY-FOUR HOUR PERIOD OF PLANTING.
25. GUY AND STAKE TREES, AS DIRECTED BY ENGINEER, IMMEDIATELY AFTER PLANTING. PROVIDE A MINIMUM OF TWO GUY WIRES PER TREE ON THE UPHILL SIDE OF TREES PLANTED ON SLOPES STEEPER THAN 3:1.
26. PRUNE ALL DECIDUOUS SHADE TREES FOR A MINIMUM LOWEST BRANCH HEIGHT OF 7 FEET.
27. INSTALL AND MAINTAIN SOD TO PREVENT EVIDENT SEAMS.
28. WARRANTY ALL PLANTS AND LAWN EXPERIENCING DEATH AND DEFECTS INCLUDING UNSATISFACTORY GROWTH, EXCEPT FOR DEFECTS RESULTING FROM NEGLIGENCE BY OWNER, ABUSE OR DAMAGE BY OTHERS OR UNUSUAL PHENOMENON OR INCIDENTS WHICH ARE BEYOND CONTRACTOR'S CONTROL.



6 BIKE RACK DETAIL
1" = 1'-0"



LAYOUT	
DRAWN	
REVIEWED	

FILE NAME = 7523_LANDDTLS.DWG
PLOT DATE = 3/22/16 5:57:03 PM

DESIGNED — BK
DRAWN — JR
CHECKED — BM
DATE — MARCH 2016

REVISED —
REVISED —
REVISED —
REVISED —

STATE OF ILLINOIS
DEPARTMENT OF TRANSPORTATION

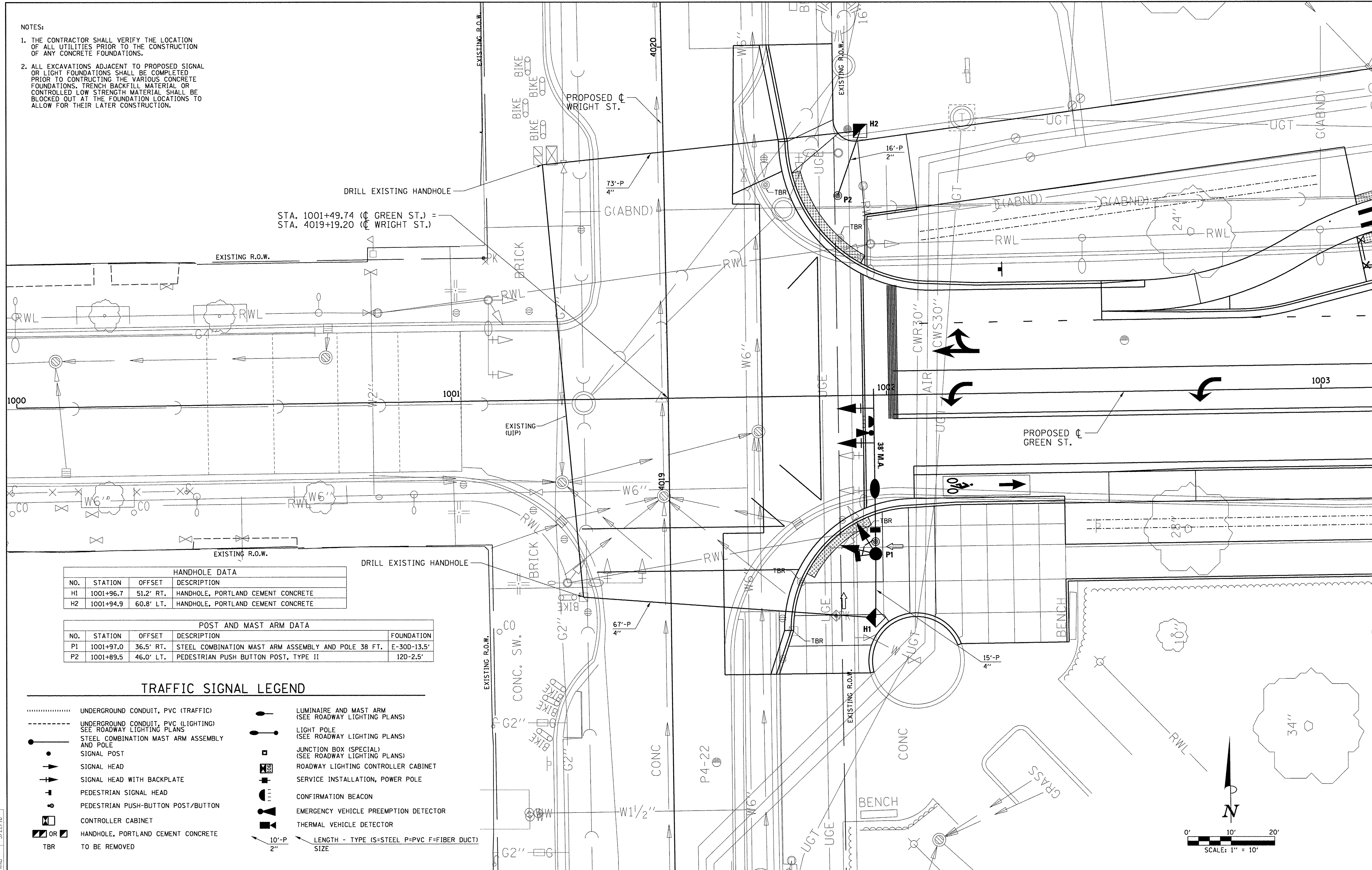
ILLINI UNION
LANDSCAPE PLAN
SCALE: SHEET NO. 137 OF 236 SHEETS STA. TO STA.

F.A.U. RTE.	SECTION	COUNTY	TOTAL SHEETS	SHEET NO.
	15-00304-01-PV	CHAMPAIGN	236	137
MCORE PROJECT 1			CONTRACT NO. 91539	
JOB NO. C-95-305-16		ILLINOIS FED. AID PROJECT		

NOTES:

1. THE CONTRACTOR SHALL VERIFY THE LOCATION OF ALL UTILITIES PRIOR TO THE CONSTRUCTION OF ANY CONCRETE FOUNDATIONS.
2. ALL EXCAVATIONS ADJACENT TO PROPOSED SIGNAL OR LIGHT FOUNDATIONS SHALL BE COMPLETED PRIOR TO CONSTRUCTING THE VARIOUS CONCRETE FOUNDATIONS. TRENCH BACKFILL MATERIAL OR CONTROLLED LOW STRENGTH MATERIAL SHALL BE BLOCKED OUT AT THE FOUNDATION LOCATIONS TO ALLOW FOR THEIR LATER CONSTRUCTION.

© Copyright Hanson Professional Services Inc. 2016
HANSON
 Hanson Professional Services Inc.



HANDHOLE DATA			
NO.	STATION	OFFSET	DESCRIPTION
HI	1001+96.7	51.2' RT.	HANDHOLE, PORTLAND CEMENT CONCRETE
H2	1001+94.9	60.8' LT.	HANDHOLE, PORTLAND CEMENT CONCRETE

POST AND MAST ARM DATA				
NO.	STATION	OFFSET	DESCRIPTION	FOUNDATION
P1	1001+97.0	36.5' RT.	STEEL COMBINATION MAST ARM ASSEMBLY AND POLE 38 FT.	E-30D-13.5'
P2	1001+89.5	46.0' LT.	PEDESTRIAN PUSH BUTTON POST, TYPE II	12D-2.5'

TRAFFIC SIGNAL LEGEND

- | | | | |
|-------|--|--|---|
| | UNDERGROUND CONDUIT, PVC (TRAFFIC) | | LUMINAIRE AND MAST ARM (SEE ROADWAY LIGHTING PLANS) |
| ----- | UNDERGROUND CONDUIT, PVC (LIGHTING) (SEE ROADWAY LIGHTING PLANS) | | LIGHT POLE (SEE ROADWAY LIGHTING PLANS) |
| | STEEL COMBINATION MAST ARM ASSEMBLY AND POLE | | JUNCTION BOX (SPECIAL) (SEE ROADWAY LIGHTING PLANS) |
| | SIGNAL POST | | ROADWAY LIGHTING CONTROLLER CABINET |
| | SIGNAL HEAD | | SERVICE INSTALLATION, POWER POLE |
| | SIGNAL HEAD WITH BACKPLATE | | CONFIRMATION BEACON |
| | PEDESTRIAN SIGNAL HEAD | | EMERGENCY VEHICLE PREEMPTION DETECTOR |
| | PEDESTRIAN PUSH-BUTTON POST/BUTTON | | THERMAL VEHICLE DETECTOR |
| | CONTROLLER CABINET | | |
| | HANDHOLE, PORTLAND CEMENT CONCRETE | | |
| | TO BE REMOVED | | |
| | LENGTH - TYPE (S=STEEL P=PVC F=FIBER DUCT) SIZE | | |

LAYOUT	JGK	11/24/15
DRAWN	RLA	2/4/16
REVIEWED	KNB	3/22/16

FILE NAME = Z:\Plans\Sheets\Project1\P1-sht-signal01.dgn
 PLOT DATE = 8/25/2016 1:43:22 PM

DESIGNED - JGK	REVISED -
DRAWN - RLA	REVISED -
CHECKED - KNB	REVISED -
DATE - 8/26/2016	REVISED -

STATE OF ILLINOIS
 DEPARTMENT OF TRANSPORTATION

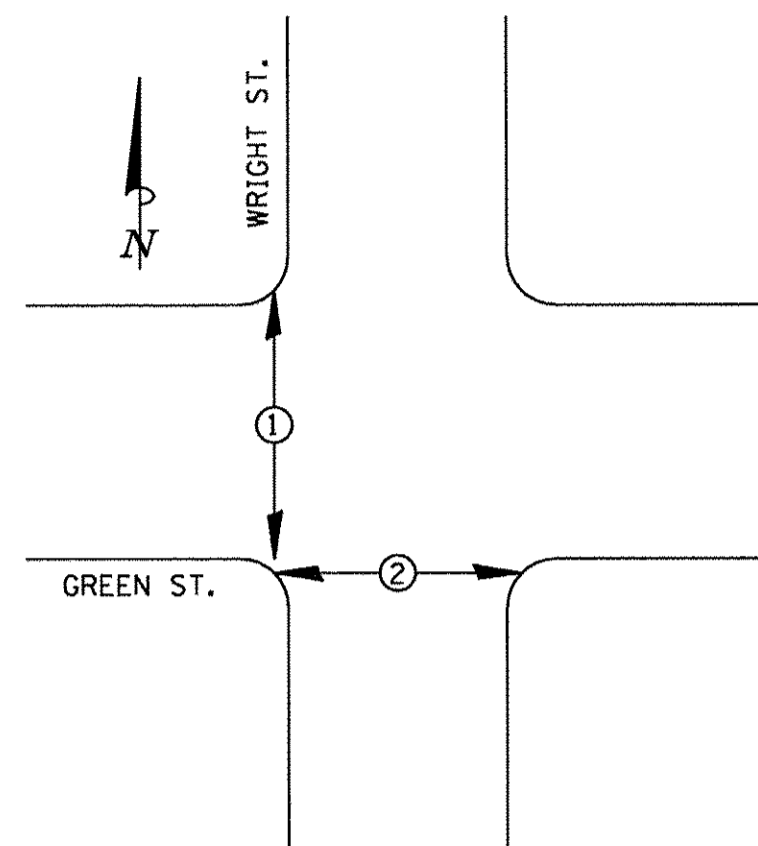
PROJECT 1 - GREEN STREET & WRIGHT STREET
SIGNAL PLAN

SCALE: 1"=10' SHEET NO. OF SHEETS STA. TO STA.

F.A.U. RTE. 7126	SECTION 15-00304-01-PV	COUNTY CHAMPAIGN	TOTAL SHEETS 236	SHEET NO. 138
MCORE PROJECT 1			CONTRACT NO. 91539	
JOB NO. C-95-305-16 ILLINOIS FED. AID PROJECT TIG-5181057				

BILL OF MATERIALS

S.P.	PAY ITEM	DESCRIPTION	UNIT	QUANTITY
72000100	SIGN PANEL - TYPE 1		SQ FT	5
81028350	UNDERGROUND CONDUIT, PVC, 2" DIA.		FOOT	16
81028390	UNDERGROUND CONDUIT, PVC, 4" DIA.		FOOT	140
81400700	HANDHOLE, PORTLAND CEMENT CONCRETE		EACH	2
81702110	ELECTRIC CABLE IN CONDUIT, 600V (XLP-TYPE USE) 1/C NO. 10		FOOT	269
87301215	ELECTRIC CABLE IN CONDUIT, SIGNAL NO. 14 2C		FOOT	347
87301225	ELECTRIC CABLE IN CONDUIT, SIGNAL NO. 14 3C		FOOT	448
87301245	ELECTRIC CABLE IN CONDUIT, SIGNAL NO. 14 5C		FOOT	499
87301255	ELECTRIC CABLE IN CONDUIT, SIGNAL NO. 14 7C		FOOT	499
87301705	ELECTRIC CABLE IN CONDUIT, COMMUNICATION NO. 18 3 PAIR		FOOT	269
87301900	ELECTRIC CABLE IN CONDUIT, EQUIPMENT GROUNDING CONDUCTOR, NO. 6 1C		FOOT	224
87600200	PEDESTRIAN PUSH-BUTTON POST, TYPE II		EACH	1
87702920	STEEL COMBINATION MAST ARM ASSEMBLY AND POLE 38 FT.		EACH	1
87800400	CONCRETE FOUNDATION, TYPE E 30-INCH DIAMETER		FOOT	14
88040070	SIGNAL HEAD, POLYCARBONATE, LED, 1-FACE, 3-SECTION, BRACKET MOUNTED		EACH	1
88040090	SIGNAL HEAD, POLYCARBONATE, LED, 1-FACE, 3-SECTION, MAST ARM MOUNTED		EACH	1
88040150	SIGNAL HEAD, POLYCARBONATE, LED, 1-FACE, 5-SECTION, BRACKET MOUNTED		EACH	1
88040160	SIGNAL HEAD, POLYCARBONATE, LED, 1-FACE, 5-SECTION, MAST ARM MOUNTED		EACH	1
88102825	PEDESTRIAN SIGNAL HEAD, POLYCARBONATE, LED, 1-FACE, BRACKET MOUNTED WITH COUNT DOWN TIMER		EACH	2
88200100	TRAFFIC SIGNAL BACKPLATE		EACH	4
88700090	CONFIRMATION BEACON		EACH	1
88700200	LIGHT DETECTOR		EACH	1
88700300	LIGHT DETECTOR AMPLIFIER		EACH	1
89500300	RELOCATE EXISTING ILLUMINATED SIGN		EACH	1
89502375	REMOVE EXISTING TRAFFIC SIGNAL EQUIPMENT		EACH	1
X8211285	LUMINAIRE, LED, HORIZONTAL MOUNT, 285 WATT		EACH	1
X8800101	PEDESTRIAN PUSH-BUTTON, SPECIAL		EACH	2



EMERGENCY VEHICLE PREEMPTION

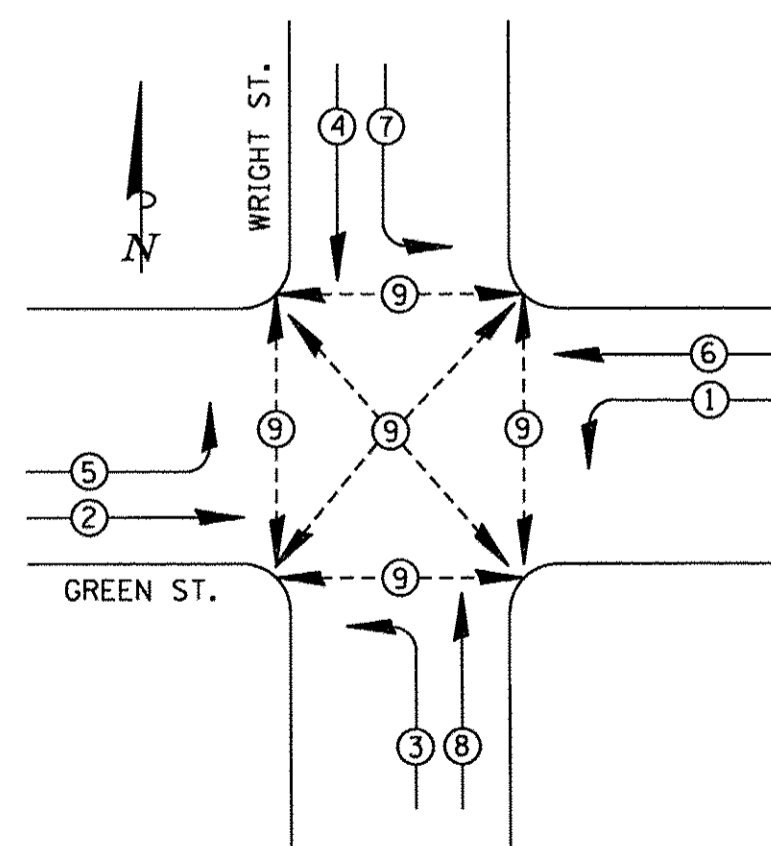
PROPOSED PRIORITY UNITS

PRIORITY LANE INTERVAL	1	2
MOVEMENT	↑ ↓	→

- NOTES:
- ONCE PREEMPTION HAS BEEN CALLED, TERMINATION OF A PHASE(S) SHALL BE IDENTICAL TO NORMAL SEQUENCE OF OPERATION'S TERMINATION OF A PHASE(S) AS DESCRIBED IN STANDARD 857001.
 - ALL RED CLEARANCE INTERVALS MUST BE DISPLAYED AFTER THE YELLOW CLEARANCE INTERVAL WHEN ENTERING OR LEAVING THE PREEMPTION SEQUENCE.

TRAFFIC SIGNAL GENERAL NOTES

- THE ACTUAL LOCATIONS OF ALL SIGNAL FOUNDATIONS, HANDHOLES, AND THE TRAFFIC SIGNAL CONTROLLER WILL BE VERIFIED IN THE FIELD BY THE ENGINEER.
- POST MOUNTED SIGNAL HEADS SHALL BE INSTALLED SUCH THAT NO PART OF THE SIGNAL HEAD IS WITHIN TWO (2) FEET OF THE FACE OF CURB. MAST ARM POLES SHALL BE PLACED SUCH THAT A MINIMUM DISTANCE OF SIX (6) FEET IS MAINTAINED BETWEEN THE CENTER OF THE POLE AND THE FACE OF CURB (ON THE MAST ARM SIDE) UNLESS OTHERWISE SHOWN ON THE PLANS.
- 12" LENSES SHALL BE USED ON ALL SIGNAL FACES.
- THE LEADING BICYCLE INTERVALS AND LEADING PEDESTRIANS INTERVALS MUST BE A MINIMUM OF 3 SECONDS. THE CITY OF URBANA TRAFFIC SIGNAL TECHNICIAN MAY ALTER THE TIMINGS IN THE FIELD TO MATCH CONDITIONS.
- THE NECESSARY CONNECTION FOR PROPER OPERATION OF THE EMERGENCY VEHICLE PRIORITY SYSTEM SHALL BE INCLUDED IN THE COST OF THE LIGHT DETECTOR. LIGHT CABLE TO BE PAID SEPARATELY.
- THE ELECTRIC CABLE FOR THE LIGHT DETECTOR SHALL BE A CONTINUOUS UNBROKEN RUN FROM THE LIGHT DETECTOR TO THE LIGHT AMPLIFIER. SPLICES SHALL NOT BE ALLOWED.
- ALL PEDESTRIAN PUSH-BUTTONS SHALL BE MOUNTED A MAXIMUM OF TEN (10) INCHES FROM THE EDGE OF WALK. ALL PEDESTRIAN PUSH-BUTTON POSTS SHALL BE A MAXIMUM OF TEN (10) FEET FROM THE FACE OF CURB. THE CONTRACTOR SHALL ENSURE THESE REQUIREMENTS ARE MET AS EQUIPMENT IS LOCATED IN THE FIELD.
- THE CONTRACTOR SHALL VERIFY THE EXACT LOCATION OF ALL UNDERGROUND UTILITIES PRIOR TO BEGINNING CONSTRUCTION.
- A 1/4 " CONTINUOUS NYLON ROPE SHALL BE FURNISHED AND LEFT IN PLACE IN ALL CONDUITS BETWEEN HANDHOLES, FOUNDATIONS, AND CONTROLLERS. THE ROPE SHALL BE INCLUDED IN THE COST OF THE RESPECTIVE CONDUIT PAY ITEM.
- THE TRAFFIC SIGNAL EQUIPMENT SHALL RECEIVE POWER FROM THE EXISTING ELECTRICAL SERVICE.
- A PEDESTRIAN PUSH BUTTON SIGN WILL BE MOUNTED ABOVE EACH PEDESTRIAN PUSH BUTTON. THESE SIGNS WILL BE FURNISHED AND INSTALLED BY THE CONTRACTOR AND INCLUDED IN COST OF PUSH BUTTON.
- THE CONCRETE FOUNDATION FOR THE PEDESTRIAN PUSH-BUTTON POST SHALL BE INCLUDED IN THE COST OF THE PEDESTRIAN PUSH-BUTTON POST, TYPE II.
- EXISTING INTERCONNECT, IF PRESENT, TO REMAIN IN PLACE.
- A THERMAL VEHICLE DETECTION SYSTEM (REFERRED TO AS "VIDEO" IN PLANS) SHALL BE INSTALLED AT INTERSECTIONS NOTED IN THE PLANS. THIS WORK SHALL CONSIST OF FURNISHING AND INSTALLING 4 THERMAL TRAFFIC CAMERAS, RACK MOUNTED VIDEO DETECTION SYSTEMS, A 10" COLOR VIDEO MONITOR, AND ASSOCIATED EQUIPMENT TO PROVIDE A TRAFFIC DETECTION SYSTEM FOR VEHICLES. SEE CITY OF URBANA SPECIFICATIONS FOR ADDITIONAL INFORMATION.
- CONTRACTOR MUST HAVE A CITY OF URBANA ELECTRICIAN LICENSE PRIOR TO START OF WORK.
- THE MINIMUM DESIGN LOADING FOR EACH PROPOSED MAST ARM IS SHOWN IN THE IDOT STANDARD FOR THE RESPECTIVE MAST ARM LENGTH.

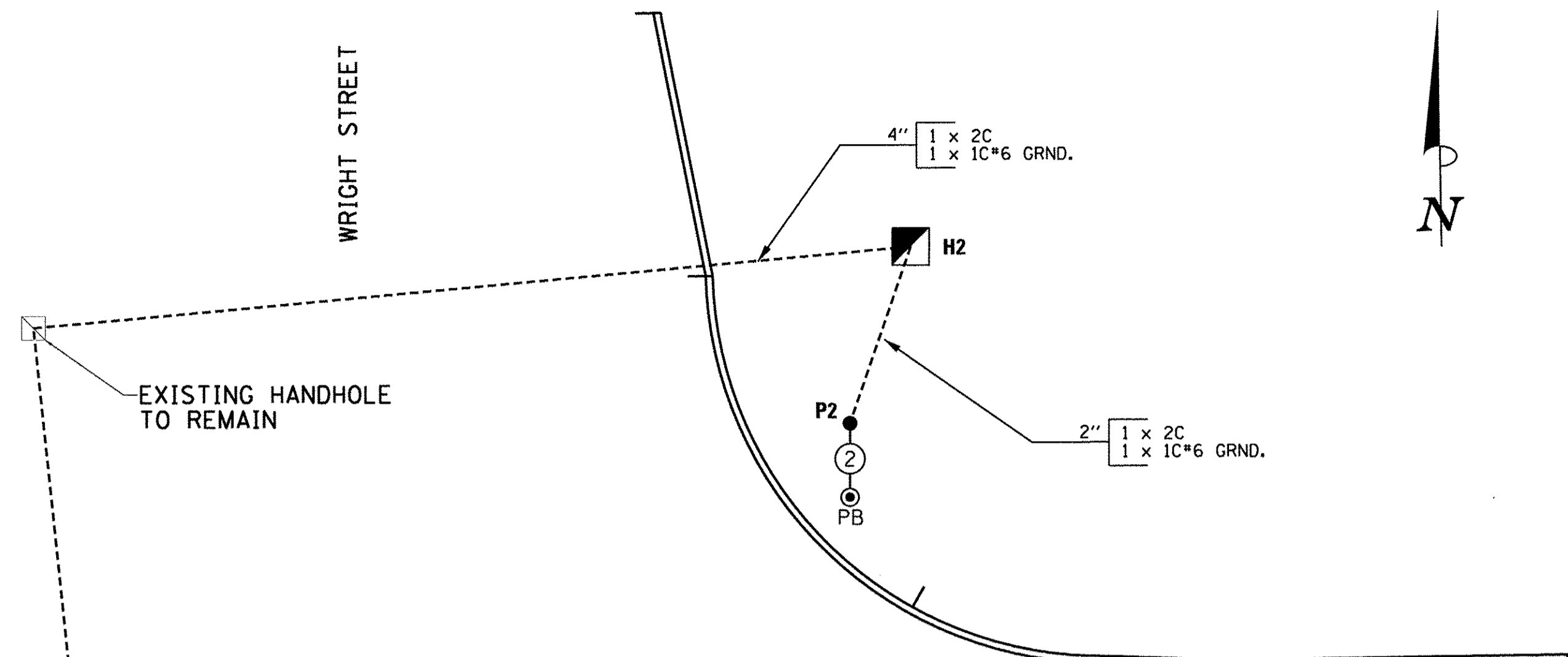


PHASE DESIGNATION DIAGRAM

PHASE DESIGNATION DIAGRAM LEGEND

- ⊙ (with 2) DUAL ENTRY PHASE * NUMBER REFERS TO ASSOCIATED PHASE
- ⊙ (with 1) PEDESTRIAN PHASE

- NOTES:
- THE VEHICLE SIGNAL PHASES WILL OPERATE PRE-TIMED AFTER CONSTRUCTION DUE TO OVERALL PROJECT STAGING. THE PEDESTRIAN PHASE SHALL BE PEDESTRIAN ACTIVATED.



CABLE DIAGRAM

CABLE DIAGRAM LEGEND

- CONDUIT SIZE
- NUMBER OF CABLES IN CONDUIT
- NUMBER OF CONDUCTORS IN EACH CABLE
- CONTROLLER CABINET
- HANDHOLE
- MAST ARM POLE, SIGNAL POST, OR PB POST
- PEDESTRIAN PUSH-BUTTON
- SIGNAL FACE
- SIGNAL FACE AND BACKPLATE
- BICYCLE SIGNAL FACE AND BACKPLATE
- PEDESTRIAN SIGNAL FACE
- ELECTRIC CABLE IN CONDUIT
- ⊕ DENOTES NUMBER OF CONDUCTORS ALL CABLE NO. 14 EXCEPT AS INDICATED
- Ⓛ ROADWAY LIGHTING CABLE 3-1c#10
- LUMINAIRE (SEE ROADWAY LIGHTING PLANS)
- Ⓢ VIDEO COAX AND POWER CABLE
- Ⓢ EMERGENCY VEHICLE PREEMPTION DETECTOR
- Ⓢ CONFIRMATION BEACON
- Ⓢ THERMAL VEHICLE DETECTOR

TRAFFIC SIGNAL PLANS - GREEN ST. & WRIGHT ST.

CABLE DIAGRAM / PHASE DESIGNATION DIAGRAM / TRAFFIC SIGNAL GENERAL NOTES / BILL OF MATERIALS

SCALE: NONE

LAYOUT	JGK	11/24/15
DRAWN	RLA	2/4/16
REVIEWED	KNB	3/22/16

FILE NAME = Z:\Plans\Sheets\Project1\P1-sht-cable01.dgn
 PLOT DATE = 8/25/2016 1:43:24 PM

DESIGNED - JGK
 DRAWN - RLA
 CHECKED - KNB
 DATE - 8/26/2016

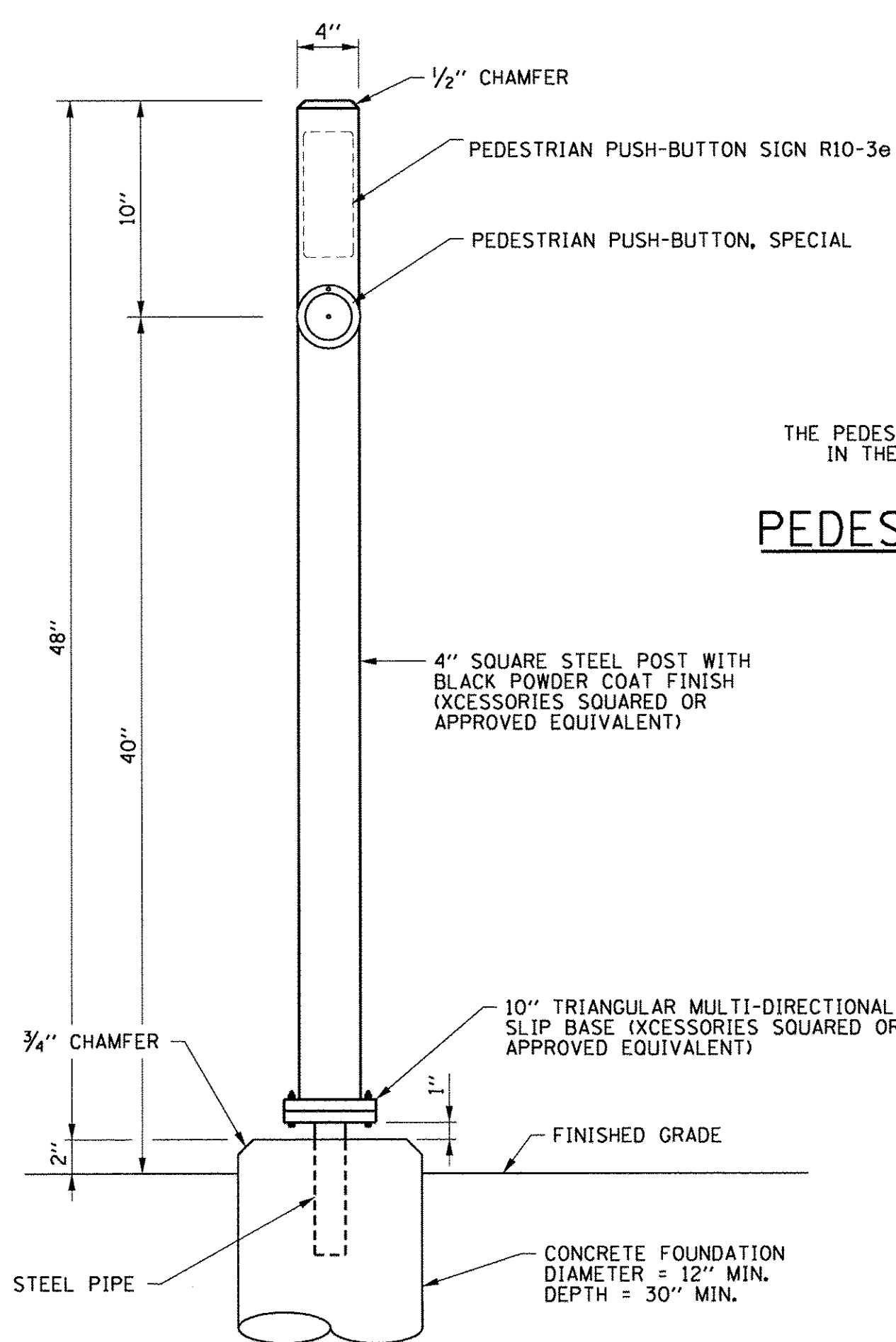
REVISED -
 REVISED -
 REVISED -
 REVISED -

STATE OF ILLINOIS
 DEPARTMENT OF TRANSPORTATION

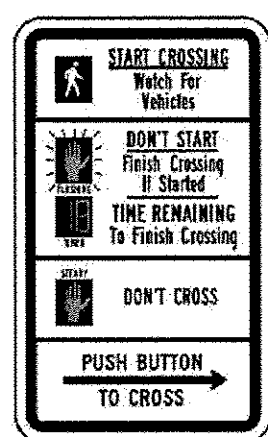
PROJECT 1 - GREEN STREET & WRIGHT STREET
 CABLE PLAN

SCALE: 1"=10' SHEET NO. OF SHEETS STA. TO STA.

F.A.U. RTE.	SECTION	COUNTY	TOTAL SHEETS	SHEET NO.
7126	15-00304-01-PV	CHAMPAIGN	236	139
MCORE PROJECT 1		CONTRACT NO. 91539		
JOB NO. C-95-305-16 ILLINOIS FED. AID PROJECT TIG-5181057				

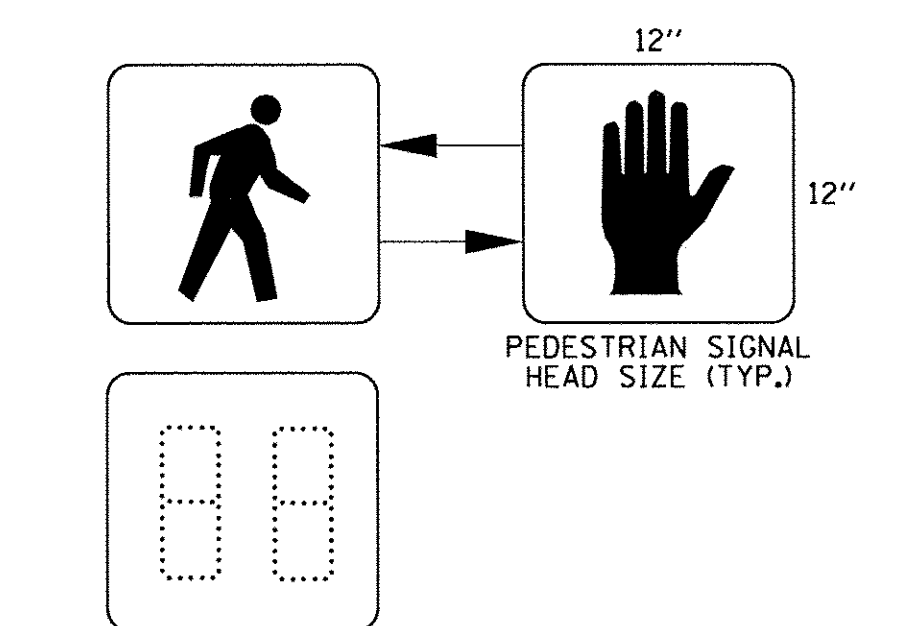


PEDESTRIAN PUSH-BUTTON SIGN DETAIL



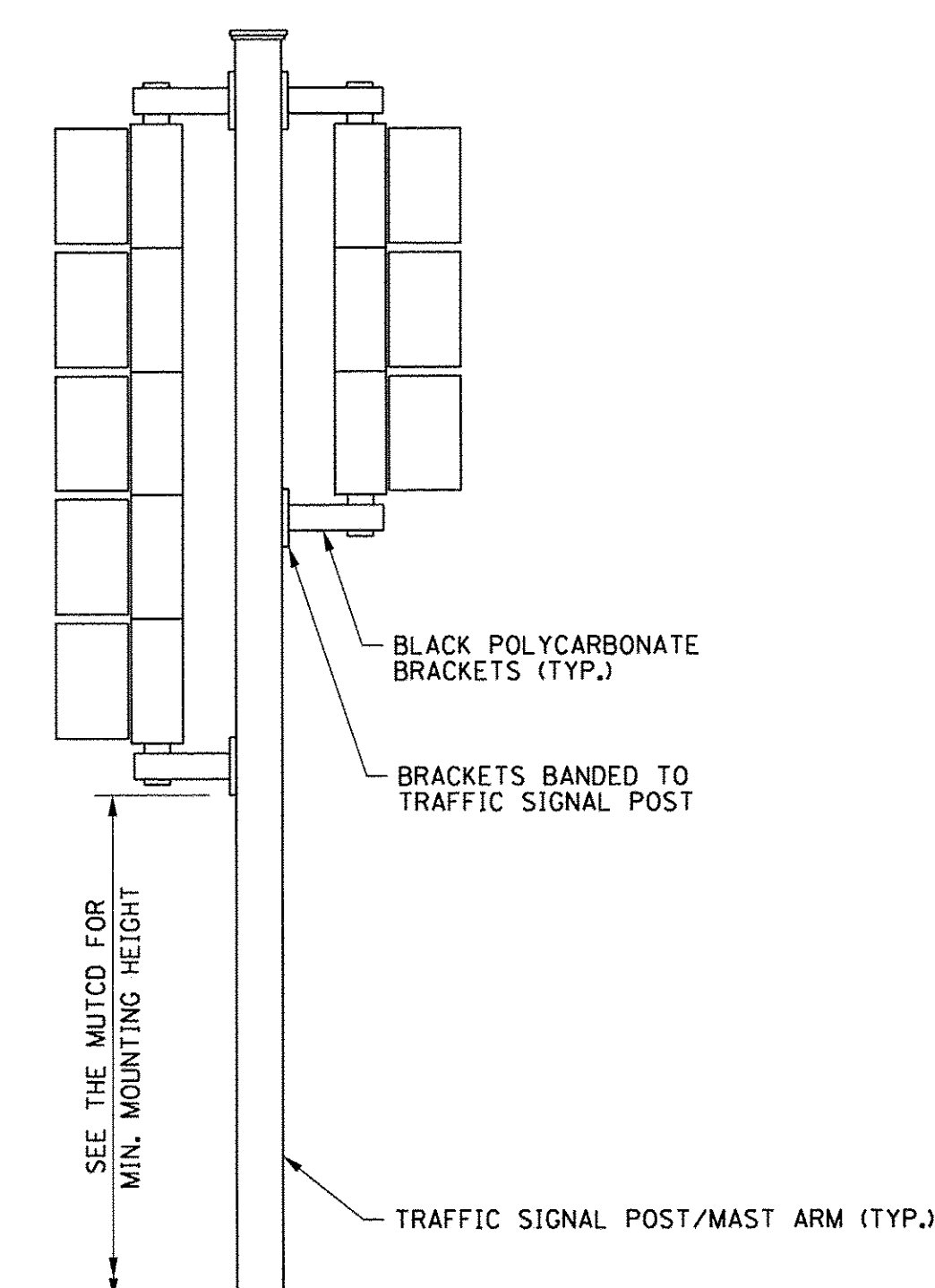
R10-3e
9" x 15"

THE PEDESTRIAN PUSH-BUTTON SIGN SHALL BE INCLUDED IN THE COST OF THE PEDESTRIAN PUSH BUTTON.



PEDESTRIAN COUNTDOWN SIGNAL DISPLAY DETAIL
NO SCALE

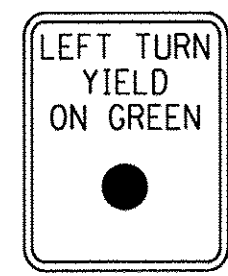
- NOTES:
1. REFER TO THE TECHNICAL SPECIFICATIONS FOR INFORMATION ON THE COAXIAL CABLE AND FACTORY-MADE PIGTAIL CABLE.
 2. FIELD-ASSEMBLED POWER CABLES WILL NOT BE ACCEPTED.
 3. THE PIGTAIL AND POWER CABLES SHALL BE SPLICED AT THE MAST ARM POLE HANDHOLE.
 4. THE COAXIAL CABLE SHALL BE A CONTINUOUS UNBROKEN RUN FROM THE VIDEO CAMERA TO THE VIDEO DETECTION PROCESSOR. SPLICES SHALL NOT BE ALLOWED.
 5. DO NOT TWIST CABLES.



TRAFFIC SIGNAL MOUNTING DETAILS

ONE 3-SECTION SIGNAL HEAD AND ONE 5-SECTION SIGNAL HEAD BRACKET MOUNTED WITH BOTTOM SECTIONS AT COMMON ELEVATION

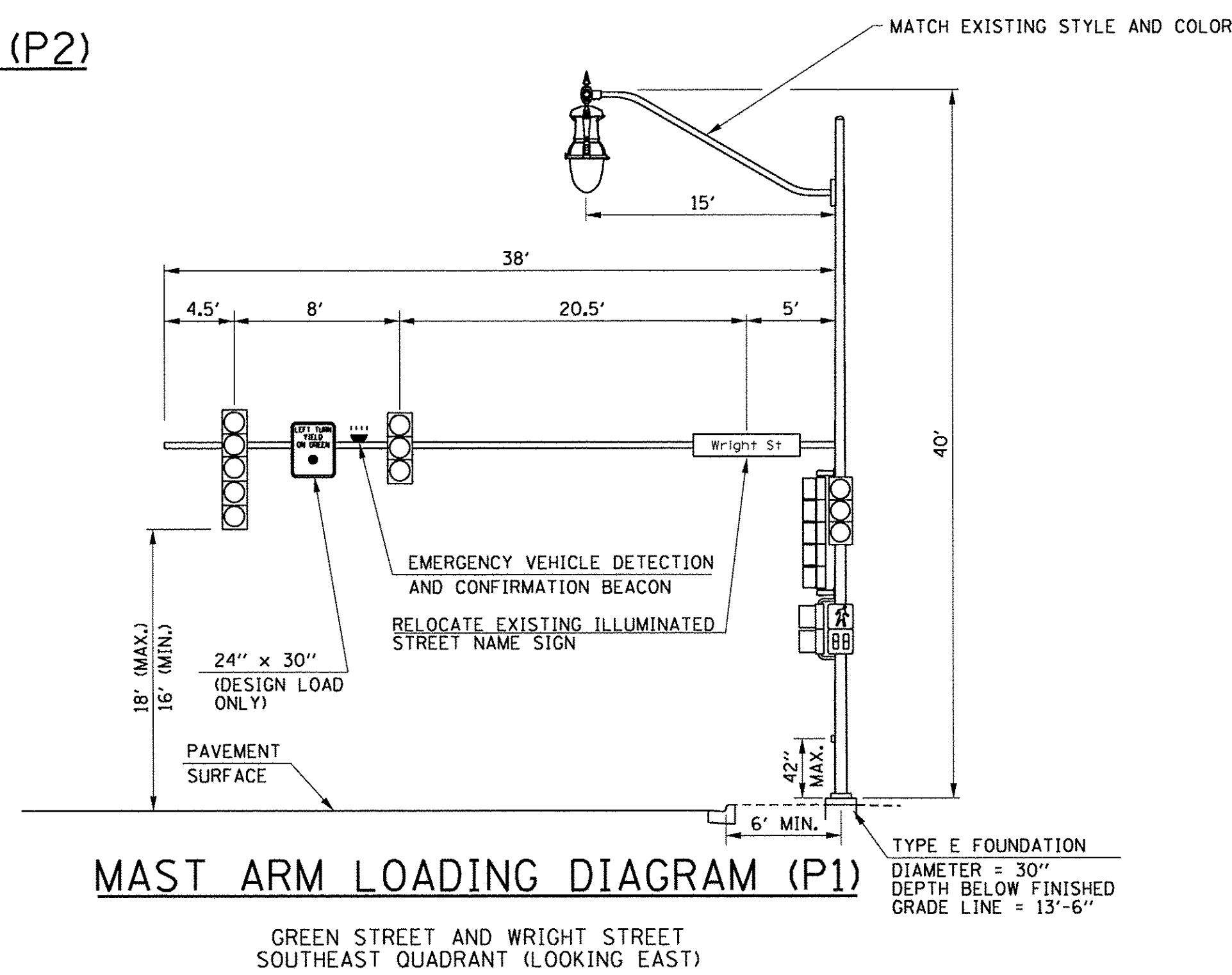
PEDESTRIAN PUSH-BUTTON POST DETAIL (P2)



R 10-12
24" X 30"

SIGN PANEL TYPE I

0.8" BORDER
1 REQUIRED OF R10-12 = 5.0 SQ FT
ONLY HIGH INTENSITY SHEETING SHALL BE USED



MAST ARM LOADING DIAGRAM (P1)

GREEN STREET AND WRIGHT STREET
SOUTHEAST QUADRANT (LOOKING EAST)

LAYOUT	JCK	11/24/15
DRAWN	RLA	2/4/16
REVIEWED	KNB	3/22/16

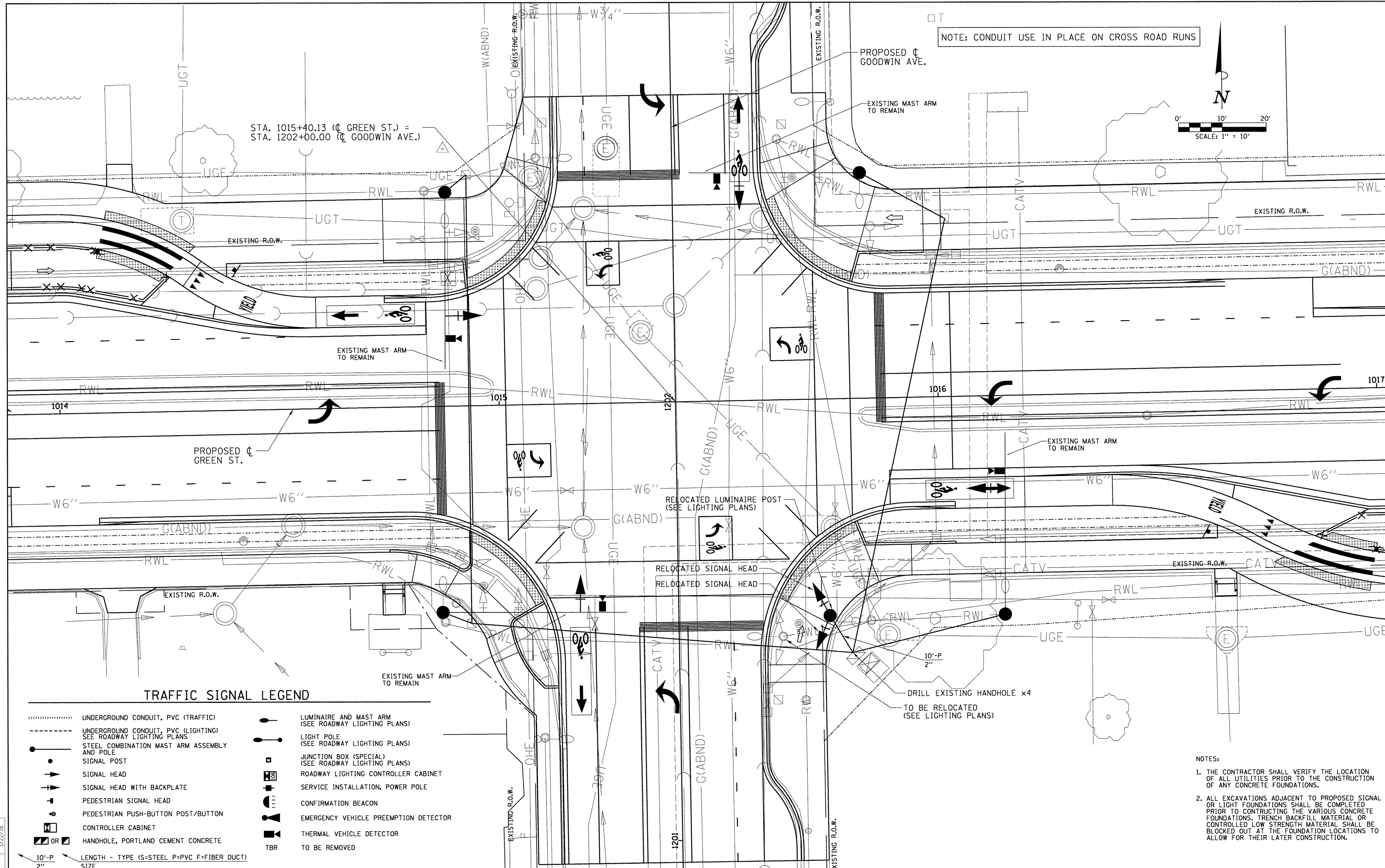
FILE NAME =	Z:\Plans\Sheets\Project1\P1-sht-MastArm01.dgn
PLOT DATE =	8/25/2016 1:43:28 PM

DESIGNED -	JCK	REVISED -	
DRAWN -	RLA	REVISED -	
CHECKED -	KNB	REVISED -	
DATE -	8/26/2016	REVISED -	

STATE OF ILLINOIS
DEPARTMENT OF TRANSPORTATION

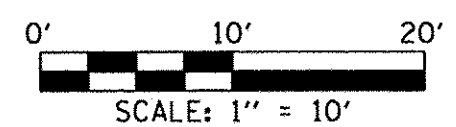
PROJECT 1 - GREEN STREET & WRIGHT STREET			
MAST ARM LOADING DIAGRAM			
SCALE: N/A	SHEET NO.	OF SHEETS	STA. TO STA.

F.A.U. RTE.	SECTION	COUNTY	TOTAL SHEETS	SHEET NO.
7126	15-00304-01-PV	CHAMPAIGN	236	140
MCORE PROJECT 1			CONTRACT NO. 91539	
JOB NO. C-95-305-16 ILLINOIS FED. AID PROJECT TIG-5181057				



NOTE: CONDUIT USE IN PLACE ON CROSS ROAD RUNS

STA. 1015+40.13 (C GREEN ST.) =
 STA. 1202+00.00 (C GOODWIN AVE.)



TRAFFIC SIGNAL LEGEND

- | | | | |
|-------|---|--|--|
| | UNDERGROUND CONDUIT, PVC (TRAFFIC) | | LUMINAIRE AND MAST ARM
(SEE ROADWAY LIGHTING PLANS) |
| ----- | UNDERGROUND CONDUIT, PVC (LIGHTING)
SEE ROADWAY LIGHTING PLANS | | LIGHT POLE
(SEE ROADWAY LIGHTING PLANS) |
| | STEEL COMBINATION MAST ARM ASSEMBLY
AND POLE | | JUNCTION BOX (SPECIAL)
(SEE ROADWAY LIGHTING PLANS) |
| | SIGNAL POST | | ROADWAY LIGHTING CONTROLLER CABINET |
| | SIGNAL HEAD | | SERVICE INSTALLATION, POWER POLE |
| | SIGNAL HEAD WITH BACKPLATE | | CONFIRMATION BEACON |
| | PEDESTRIAN SIGNAL HEAD | | EMERGENCY VEHICLE PREEMPTION DETECTOR |
| | PEDESTRIAN PUSH-BUTTON POST/BUTTON | | THERMAL VEHICLE DETECTOR |
| | CONTROLLER CABINET | | TO BE REMOVED |
| | HANDHOLE, PORTLAND CEMENT CONCRETE | | |
- 10'-P 2" LENGTH - TYPE (S=STEEL P=PVC F=FIBER DUCT) SIZE

- NOTES:
1. THE CONTRACTOR SHALL VERIFY THE LOCATION OF ALL UTILITIES PRIOR TO THE CONSTRUCTION OF ANY CONCRETE FOUNDATIONS.
 2. ALL EXCAVATIONS ADJACENT TO PROPOSED SIGNAL OR LIGHT FOUNDATIONS SHALL BE COMPLETED PRIOR TO CONSTRUCTING THE VARIOUS CONCRETE FOUNDATIONS. TRENCH BACKFILL MATERIAL OR CONTROLLED LOW STRENGTH MATERIAL SHALL BE BLOCKED OUT AT THE FOUNDATION LOCATIONS TO ALLOW FOR THEIR LATER CONSTRUCTION.

LAYOUT	JCK	11/24/15
DRAWN	RLA	2/4/16
REVIEWED	KNB	3/22/16

FILE NAME =
 Z:\Plans\Sheets\Project\1\1-P1-sht-signal02.dgn
 PLOT DATE =
 8/25/2016 1:44:24 PM

DESIGNED - JCK
 DRAWN - RLA
 CHECKED - KNB
 DATE - 8/26/2016

REVISED -
 REVISED -
 REVISED -
 REVISED -

STATE OF ILLINOIS
 DEPARTMENT OF TRANSPORTATION

PROJECT 1 - GREEN STREET & GOODWIN AVENUE
 SIGNAL PLAN

SCALE: 1"=10' SHEET NO. OF SHEETS STA. TO STA.

F.A.U. RTE. 7126	SECTION 15-00304-01-PV	COUNTY CHAMPAIGN	TOTAL SHEETS 236	SHEET NO. 141
MCORE PROJECT 1		CONTRACT NO. 91539		
JOB NO. C-95-305-16 ILLINOIS FED. AID PROJECT TIG-5181057				

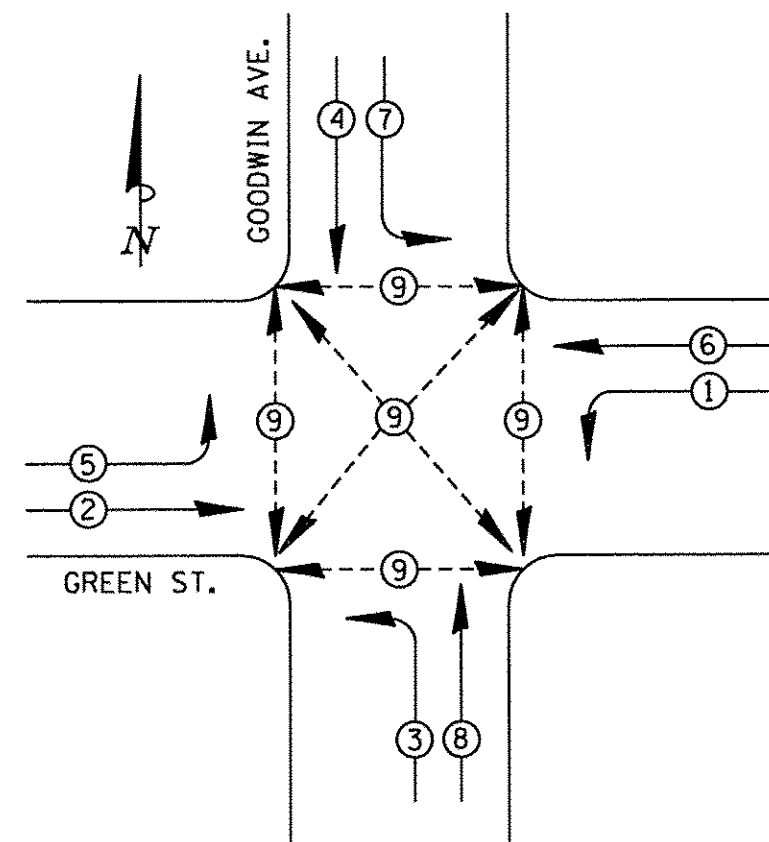
BILL OF MATERIALS

S.P.	PAY ITEM	DESCRIPTION	UNIT	QUANTITY
81028350		UNDERGROUND CONDUIT, PVC, 2" DIA.	FOOT	10
87301245		ELECTRIC CABLE IN CONDUIT, SIGNAL NO. 14 5C	FOOT	813
87301255		ELECTRIC CABLE IN CONDUIT, SIGNAL NO. 14 7C	FOOT	42
87301900		ELECTRIC CABLE IN CONDUIT, EQUIPMENT GROUNDING CONDUCTOR, NO. 6 1C	FOOT	26
88040090		SIGNAL HEAD, POLYCARBONATE, LED, 1-FACE, 3-SECTION, MAST ARM MOUNTED	EACH	4
88200100		TRAFFIC SIGNAL BACKPLATE	EACH	4
89500100		RELOCATE EXISTING SIGNAL HEAD	EACH	2
* 89502200		MODIFY EXISTING CONTROLLER	EACH	1
* 89502375		REMOVE EXISTING TRAFFIC SIGNAL EQUIPMENT	EACH	1
* X0327515		THERMAL VEHICLE DETECTION SYSTEM	EACH	1

NOTES:

- LBI = LEADING BICYCLE INTERVAL, WHICH SHALL BE A MINIMUM OF 3 SECONDS
- ALL RED TIMES FOLLOWING THROUGH PHASES SHALL BE 2.5 SECONDS
- ALL RED TIMES FOLLOWING LEFT TURN PHASES SHALL BE 2.0 SECONDS

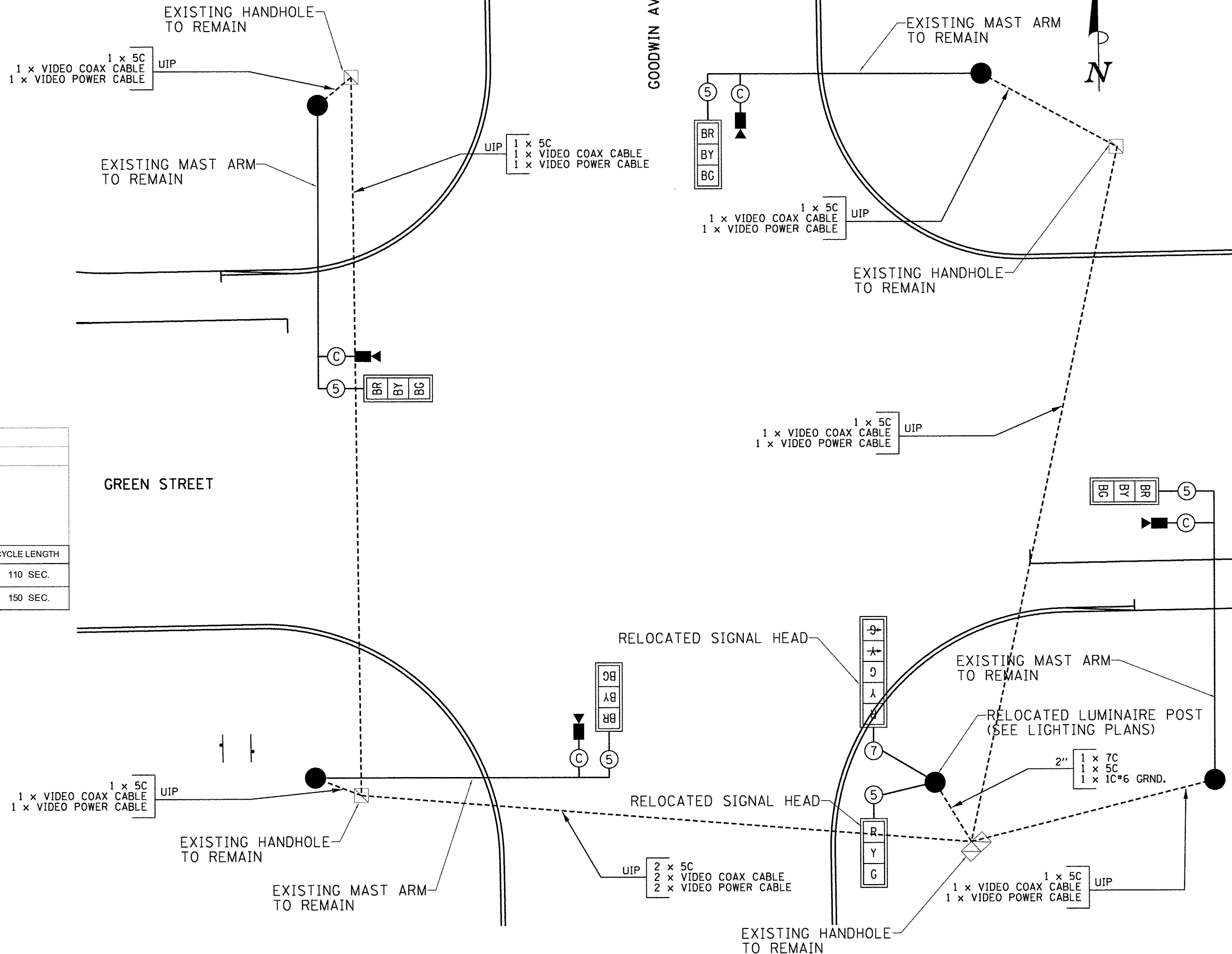
		PROPOSED PHASING																
PHASE		1			2			3			4			5				
		YELLOW			RED + 3 EBW/SEC LBI			YELLOW			RED			YELLOW			FLASHING HAND STEADY HAND	
GREEN TIME IN SECONDS		AM	5.0	3.0	5.0	22.3	3.2	5.5	5.0	3.0	2.0	19.3	3.2	2.5	4.0	24.0	3.0	110 SEC.
		PM	5.0	3.0	5.0	42.3	3.2	5.5	8.0	3.0	2.0	36.3	3.2	2.5	4.0	24.0	3.0	150 SEC.



PHASE DESIGNATION DIAGRAM

PHASE DESIGNATION DIAGRAM LEGEND

- ⊙ → DUAL ENTRY PHASE * NUMBER REFERS TO ASSOCIATED PHASE
- ⊙ → PEDESTRIAN PHASE



CABLE DIAGRAM

CABLE DIAGRAM LEGEND

- 3" 1 x 2C 1 x 3C → CONDUIT SIZE, NUMBER OF CABLES IN CONDUIT, NUMBER OF CONDUCTORS IN EACH CABLE
- ☒ OR ☒ CONTROLLER CABINET
- HANDHOLE
- MAST ARM POLE, SIGNAL POST, OR PB POST
- ⊙ PB PEDESTRIAN PUSH-BUTTON
- ⊙ SIGNAL FACE
- ⊙ SIGNAL FACE AND BACKPLATE
- ⊙ BICYCLE SIGNAL FACE AND BACKPLATE
- ⊙ PEDESTRIAN SIGNAL FACE
- UIP USE IN PLACE (EXISTING)
- ELECTRIC CABLE IN CONDUIT
- ⊕ DENOTES NUMBER OF CONDUCTORS ALL CABLE NO. 14 EXCEPT AS INDICATED
- ⊕ ROADWAY LIGHTING CABLE 3-1c*10
- LUMINAIRE (SEE ROADWAY LIGHTING PLANS)
- ⊕ VIDEO COAX AND POWER CABLE
- ⊕ EMERGENCY VEHICLE PREEMPTION DETECTOR
- ⊕ CONFIRMATION BEACON
- ⊕ THERMAL VEHICLE DETECTOR

TRAFFIC SIGNAL PLANS - GREEN ST. & GOODWIN AVE.
 CABLE DIAGRAM / PHASE DESIGNATION DIAGRAM /
 TRAFFIC SIGNAL GENERAL NOTES / BILL OF MATERIALS

SCALE: NONE

LAYOUT	JCK	11/24/15
DRAWN	RLA	2/4/16
REVIEWED	KNB	3/22/16

FILE NAME = Z:\Plans\sheets\Project1\P1-sht-cable02.dgn
 PLOT DATE = 8/25/2016 1:44:27 PM

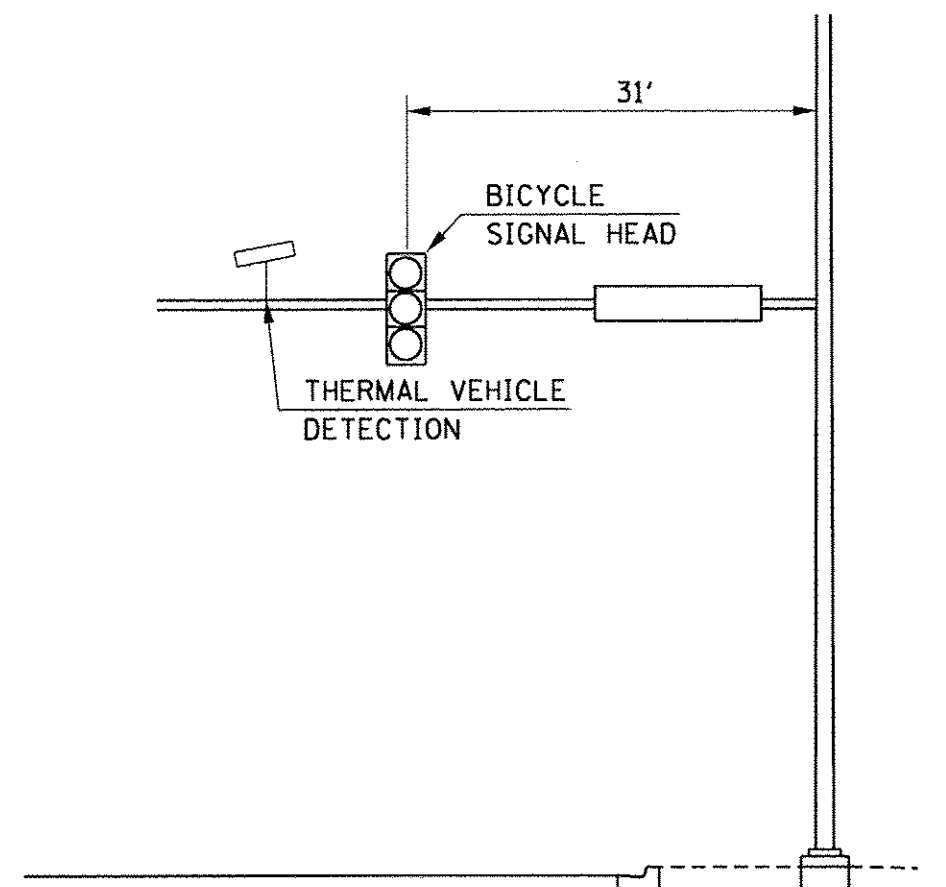
DESIGNED - JCK	REVISED -
DRAWN - RLA	REVISED -
CHECKED - KNB	REVISED -
DATE - 8/26/2016	REVISED -

STATE OF ILLINOIS
 DEPARTMENT OF TRANSPORTATION

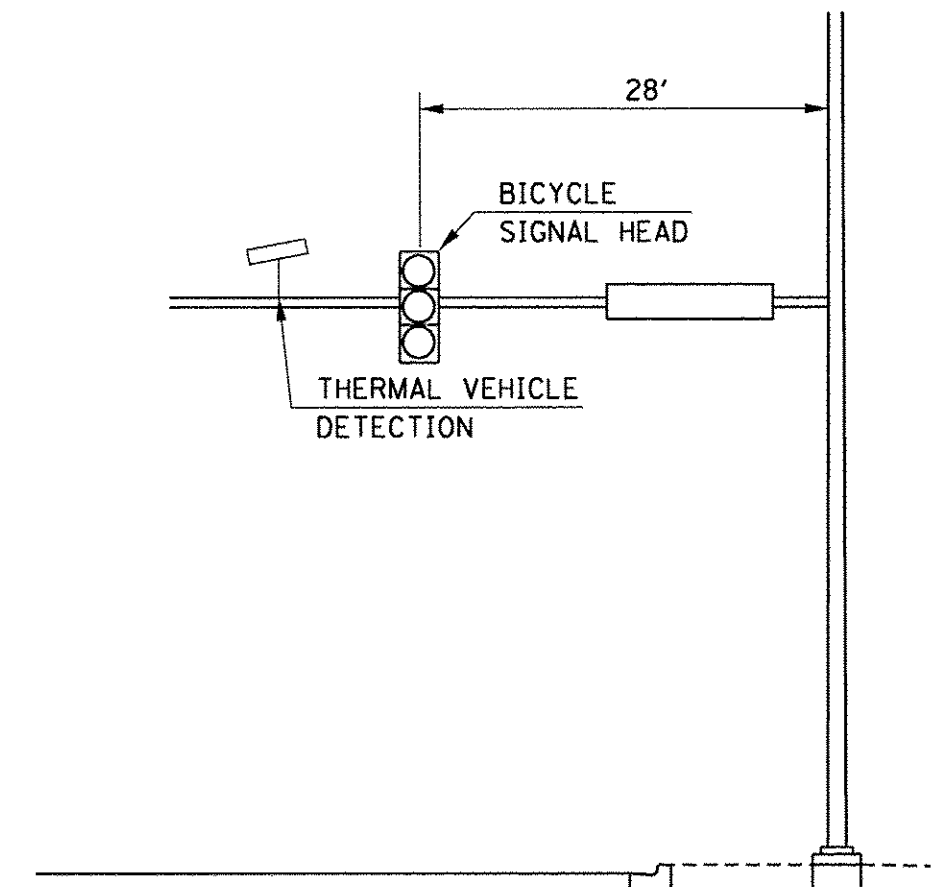
PROJECT 1 - GREEN STREET & GOODWIN AVENUE
CABLE PLAN

SCALE: 1"=10' SHEET NO. OF SHEETS STA. TO STA.

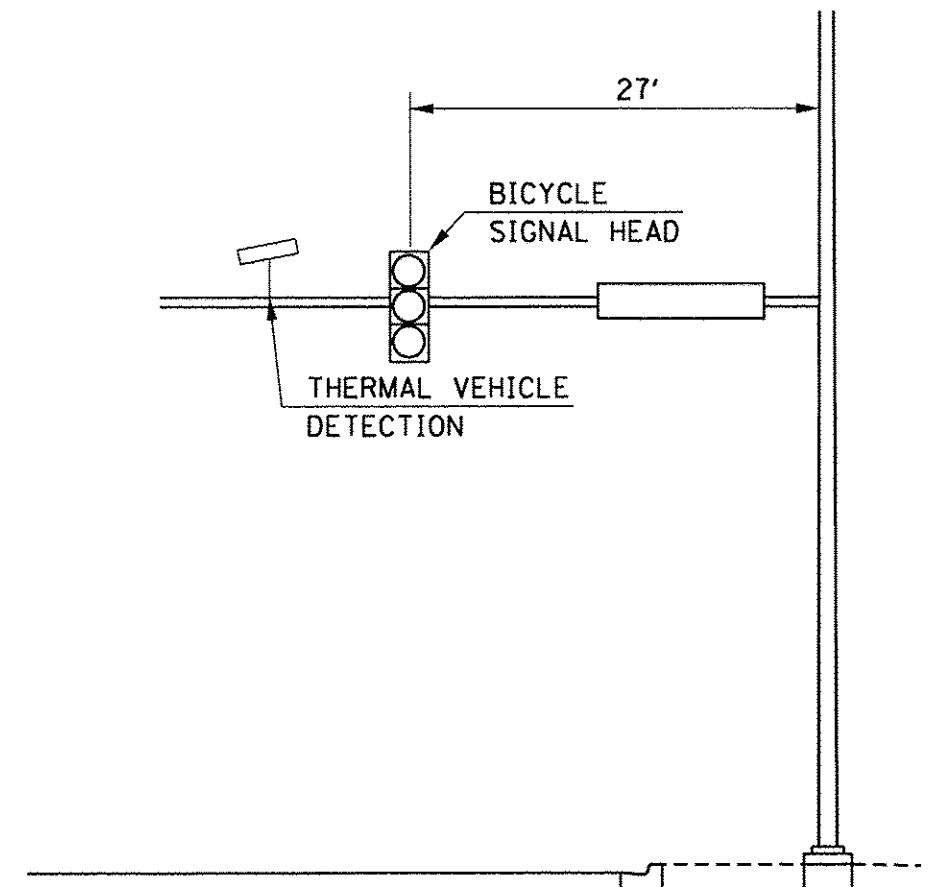
F.A.U. RTE.	SECTION	COUNTY	TOTAL SHEETS	SHEET NO.
7126	15-00304-01-PV	CHAMPAIGN	236	142
MCORE PROJECT 1			CONTRACT NO. 91539	
JOB NO. C-95-305-16 ILLINOIS FED. AID PROJECT TIG-5181(057)				



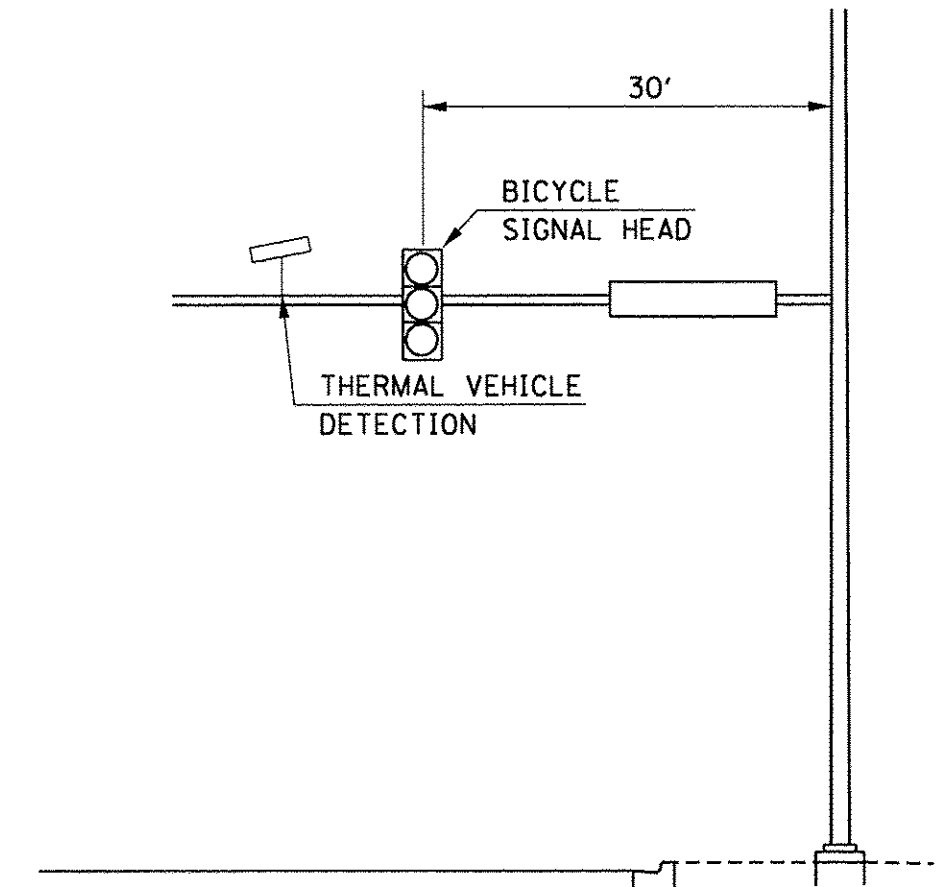
MAST ARM LOADING DIAGRAM
 GREEN STREET AND GOODWIN AVENUE
 NORTHEAST QUADRANT (LOOKING NORTH)



MAST ARM LOADING DIAGRAM
 GREEN STREET AND GOODWIN AVENUE
 SOUTHEAST QUADRANT (LOOKING EAST)

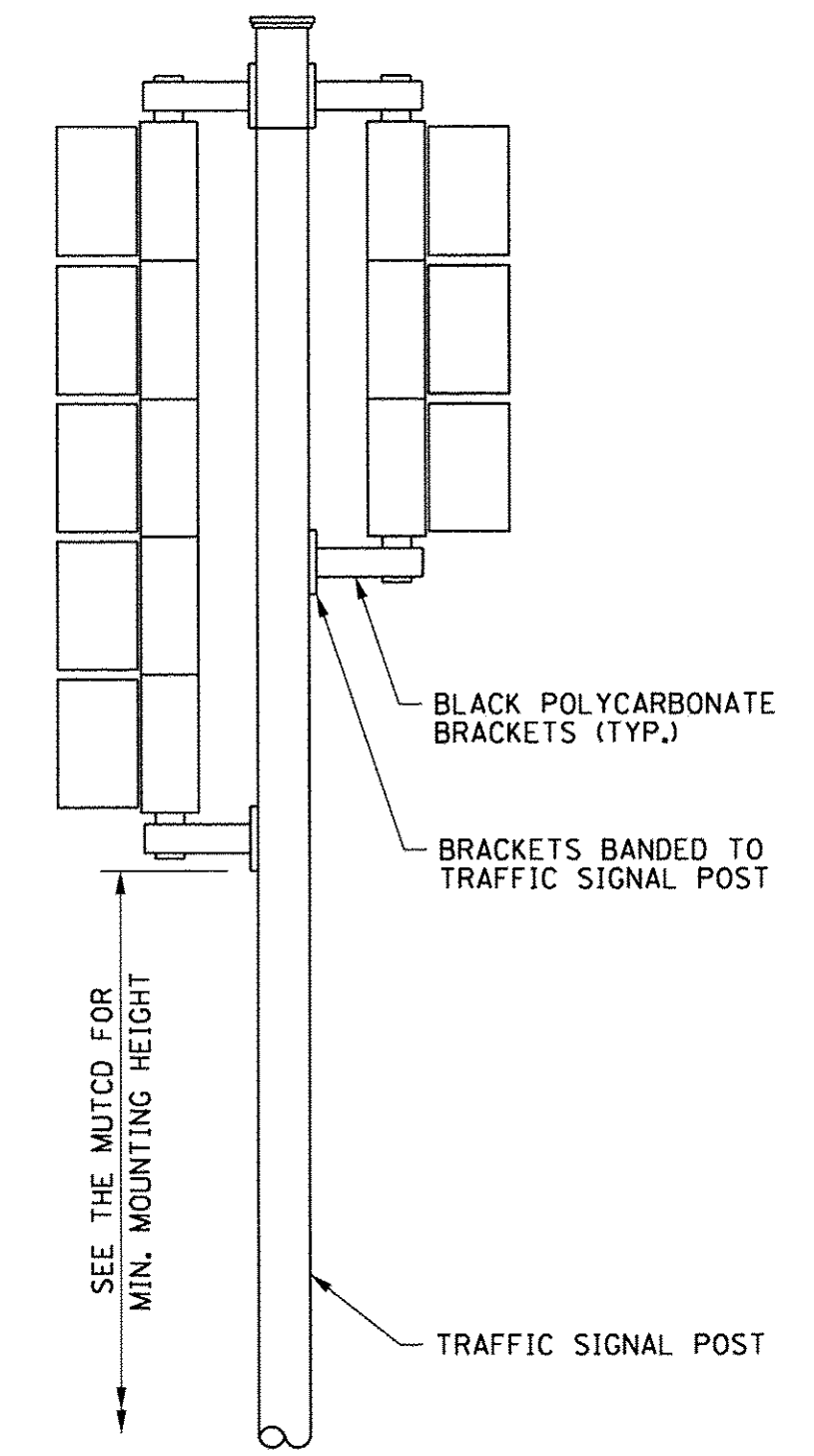


MAST ARM LOADING DIAGRAM
 GREEN STREET AND LINCOLN AVENUE
 SOUTHWEST QUADRANT (LOOKING SOUTH)

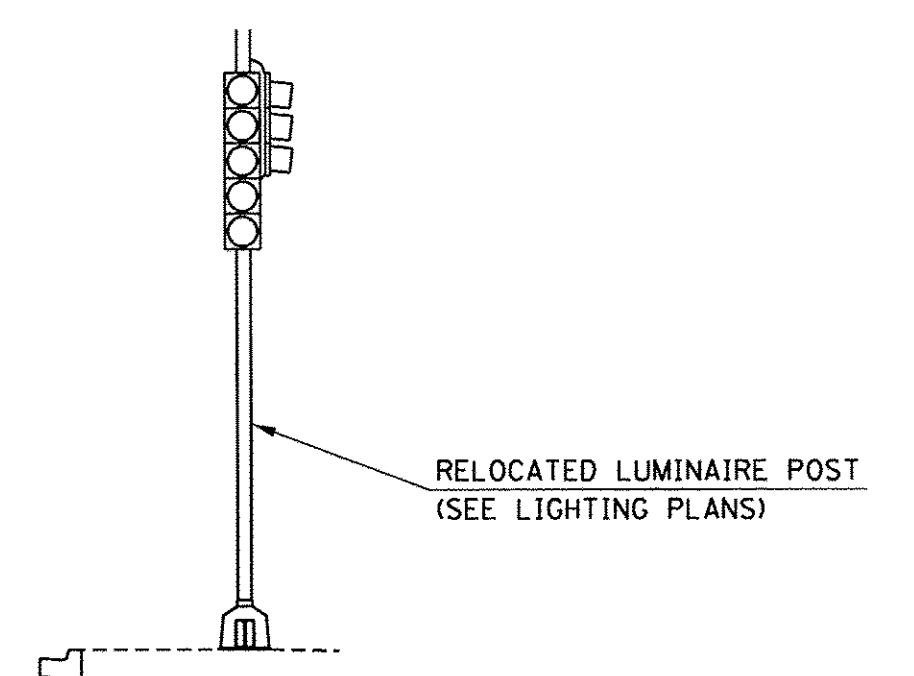


MAST ARM LOADING DIAGRAM
 GREEN STREET AND LINCOLN AVENUE
 NORTHWEST QUADRANT (LOOKING WEST)

- NOTES:**
- REFER TO THE TECHNICAL SPECIFICATIONS FOR INFORMATION ON THE COAXIAL CABLE AND FACTORY-MADE PIGTAIL CABLE.
 - FIELD-ASSEMBLED POWER CABLES WILL NOT BE ACCEPTED.
 - THE PIGTAIL AND POWER CABLES SHALL BE SPLICED AT THE MAST ARM POLE HANDHOLE.
 - THE COAXIAL CABLE SHALL BE A CONTINUOUS UNBROKEN RUN FROM THE VIDEO CAMERA TO THE VIDEO DETECTION PROCESSOR. SPLICES SHALL NOT BE ALLOWED.
 - DO NOT TWIST CABLES.
 - ALL EXISTING MAST ARM MOUNTED SIGNAL HEAD LOCATIONS SHALL BE ADJUSTED ON THE ARM TO BE CONSISTENT WITH CONFIGURATIONS SHOWN IN THE PLANS FOR THE LINCOLN AVENUE AND GREEN STREET INTERSECTION. ALL LABOR, EQUIPMENT, AND MATERIALS TO RELOCATE THE SIGNAL HEADS, IF NECESSARY, SHALL BE INCLUDED IN THE COST OF PROPOSED MAST ARM MOUNTED SIGNAL HEADS ALREADY INCLUDED IN THE CONTRACT.



TRAFFIC SIGNAL MOUNTING DETAILS
 ONE 3-SECTION SIGNAL HEAD AND ONE 5-SECTION SIGNAL HEAD
 BRACKET MOUNTED WITH BOTTOM SECTIONS AT COMMON ELEVATION



POST-MOUNTED SIGNAL LOADING DIAGRAM
 GREEN STREET AND GOODWIN AVENUE
 SOUTHEAST QUADRANT

LAYOUT	JCK	11/24/15
DRAWN	RLA	2/4/16
REVIEWED	KNB	3/22/16

FILE NAME =	Z:\Plans\Sheets\Project1\P1-sht-MastArm02.dgn
PLOT DATE =	8/25/2016 1:44:31 PM

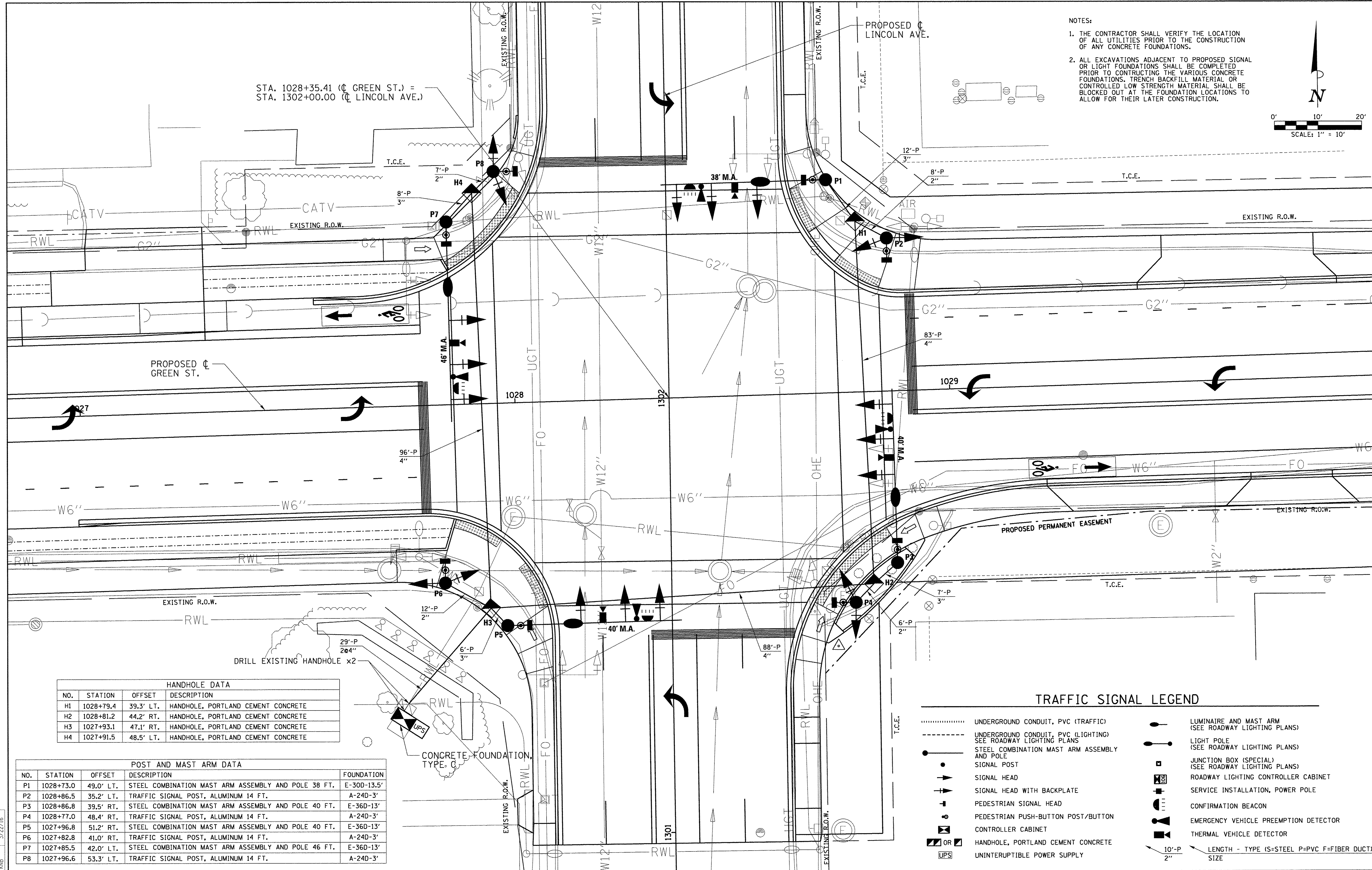
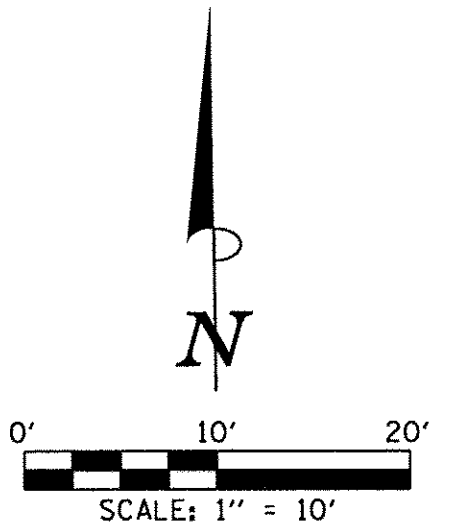
DESIGNED -	JCK	REVISED -	
DRAWN -	RLA	REVISED -	
CHECKED -	KNB	REVISED -	
DATE -	8/26/2016	REVISED -	

STATE OF ILLINOIS
 DEPARTMENT OF TRANSPORTATION

PROJECT 1 - GREEN STREET & GOODWIN AVENUE			
MAST ARM LOADING DIAGRAM			
SCALE: N/A	SHEET NO.	OF SHEETS	STA. TO STA.

F.A.U. RTE. 7126	SECTION 15-00304-01-PV	COUNTY CHAMPAIGN	TOTAL SHEETS 236	SHEET NO. 143
MCORE PROJECT 1		CONTRACT NO. 91539		
JOB NO. C-95-305-16 ILLINOIS FED. AID PROJECT TIG-5181057				

- NOTES:
1. THE CONTRACTOR SHALL VERIFY THE LOCATION OF ALL UTILITIES PRIOR TO THE CONSTRUCTION OF ANY CONCRETE FOUNDATIONS.
 2. ALL EXCAVATIONS ADJACENT TO PROPOSED SIGNAL OR LIGHT FOUNDATIONS SHALL BE COMPLETED PRIOR TO CONSTRUCTING THE VARIOUS CONCRETE FOUNDATIONS. TRENCH BACKFILL MATERIAL OR CONTROLLED LOW STRENGTH MATERIAL SHALL BE BLOCKED OUT AT THE FOUNDATION LOCATIONS TO ALLOW FOR THEIR LATER CONSTRUCTION.



HANDHOLE DATA			
NO.	STATION	OFFSET	DESCRIPTION
H1	1028+79.4	39.3' LT.	HANDHOLE, PORTLAND CEMENT CONCRETE
H2	1028+81.2	44.2' RT.	HANDHOLE, PORTLAND CEMENT CONCRETE
H3	1027+93.1	47.1' RT.	HANDHOLE, PORTLAND CEMENT CONCRETE
H4	1027+91.5	48.5' LT.	HANDHOLE, PORTLAND CEMENT CONCRETE

POST AND MAST ARM DATA				
NO.	STATION	OFFSET	DESCRIPTION	FOUNDATION
P1	1028+73.0	49.0' LT.	STEEL COMBINATION MAST ARM ASSEMBLY AND POLE 38 FT.	E-300-13.5'
P2	1028+86.5	35.2' LT.	TRAFFIC SIGNAL POST, ALUMINUM 14 FT.	A-240-3'
P3	1028+86.8	39.5' RT.	STEEL COMBINATION MAST ARM ASSEMBLY AND POLE 40 FT.	E-360-13'
P4	1028+77.0	48.4' RT.	TRAFFIC SIGNAL POST, ALUMINUM 14 FT.	A-240-3'
P5	1027+96.8	51.2' RT.	STEEL COMBINATION MAST ARM ASSEMBLY AND POLE 40 FT.	E-360-13'
P6	1027+82.8	41.0' RT.	TRAFFIC SIGNAL POST, ALUMINUM 14 FT.	A-240-3'
P7	1027+85.5	42.0' LT.	STEEL COMBINATION MAST ARM ASSEMBLY AND POLE 46 FT.	E-360-13'
P8	1027+96.6	53.3' LT.	TRAFFIC SIGNAL POST, ALUMINUM 14 FT.	A-240-3'

TRAFFIC SIGNAL LEGEND	
	UNDERGROUND CONDUIT, PVC (TRAFFIC)
	UNDERGROUND CONDUIT, PVC (LIGHTING) SEE ROADWAY LIGHTING PLANS
	STEEL COMBINATION MAST ARM ASSEMBLY AND POLE
	SIGNAL POST
	SIGNAL HEAD
	SIGNAL HEAD WITH BACKPLATE
	PEDESTRIAN SIGNAL HEAD
	PEDESTRIAN PUSH-BUTTON POST/BUTTON
	CONTROLLER CABINET
	HANDHOLE, PORTLAND CEMENT CONCRETE
	UNINTERRUPTIBLE POWER SUPPLY
	LUMINAIRE AND MAST ARM (SEE ROADWAY LIGHTING PLANS)
	LIGHT POLE (SEE ROADWAY LIGHTING PLANS)
	JUNCTION BOX (SPECIAL) (SEE ROADWAY LIGHTING PLANS)
	ROADWAY LIGHTING CONTROLLER CABINET
	SERVICE INSTALLATION, POWER POLE
	CONFIRMATION BEACON
	EMERGENCY VEHICLE PREEMPTION DETECTOR
	THERMAL VEHICLE DETECTOR
	LENGTH - TYPE (S=STEEL P=PVC F=FIBER DUCT) SIZE

LAYOUT	JCK	11/24/15
DRAWN	RLA	2/4/16
REVIEWED	KNB	3/22/16

FILE NAME = Z:\Plans\Sheets\Project1\P1-sht-signal03.dgn
 PLOT DATE = 8/25/2016 1:45:22 PM

DESIGNED -	JCK	REVISED -	
DRAWN -	RLA	REVISED -	
CHECKED -	KNB	REVISED -	
DATE -	8/26/2016	REVISED -	

STATE OF ILLINOIS
 DEPARTMENT OF TRANSPORTATION

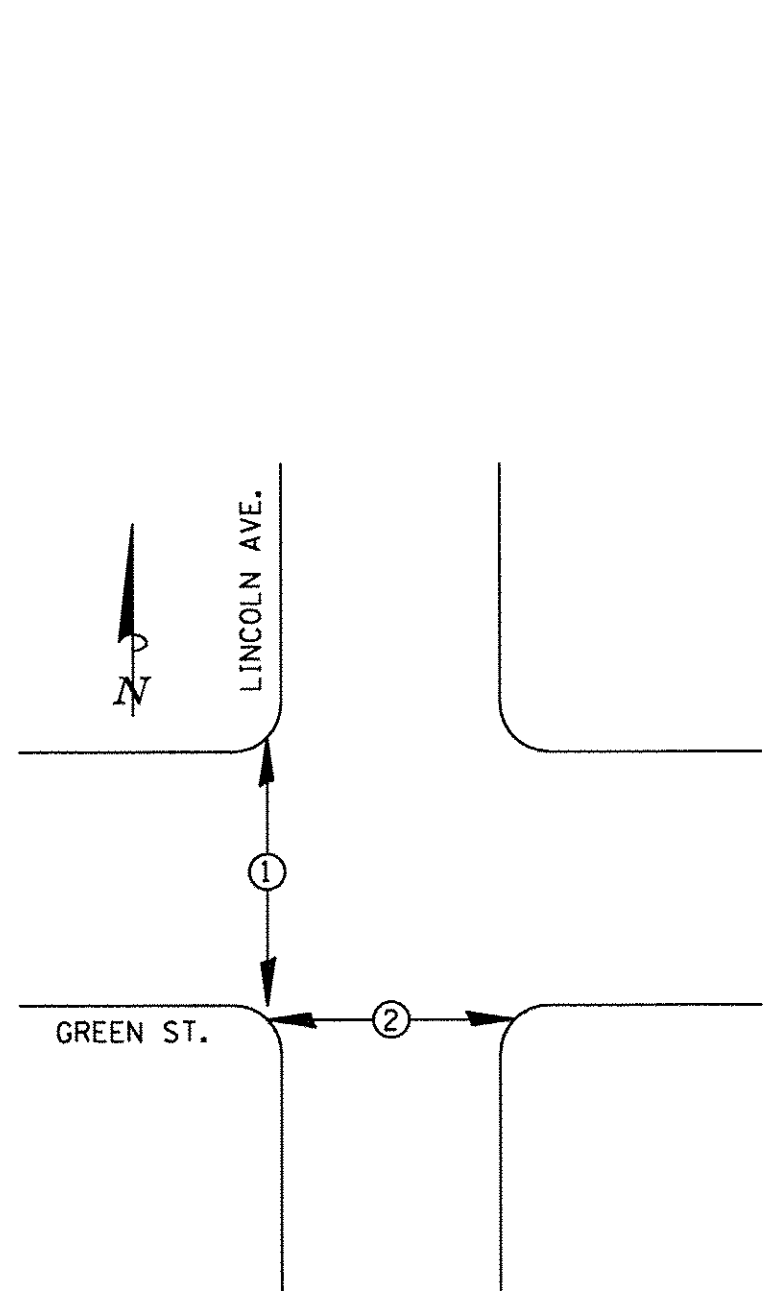
PROJECT 1 - GREEN STREET & LINCOLN AVENUE
 SIGNAL PLAN

F.A.U. RTE.	SECTION	COUNTY	TOTAL SHEETS	SHEET NO.
7126	15-00304-01-PV	CHAMPAIGN	236	144
MCORE PROJECT 1			CONTRACT NO. 91539	
JOB NO. C-95-305-16			ILLINOIS FED. AID PROJECT TIG-5181057	

SCALE: 1"=10' SHEET NO. OF SHEETS STA. TO STA.

BILL OF MATERIALS

S.P.	PAY ITEM	DESCRIPTION	UNIT	QUANTITY
72000100	SIGN PANEL - TYPE 1		SQ FT	56
72000200	SIGN PANEL - TYPE 2		SQ FT	35
81028350	UNDERGROUND CONDUIT, PVC, 2" DIA.		FOOT	33
81028370	UNDERGROUND CONDUIT, PVC, 3" DIA.		FOOT	33
81028390	UNDERGROUND CONDUIT, PVC, 4" DIA.		FOOT	325
81400700	HANDHOLE, PORTLAND CEMENT CONCRETE		EACH	4
81702110	ELECTRIC CABLE IN CONDUIT, 600V (XLP-TYPE USE) 1/C NO. 10		FOOT	2556
85000200	MAINTENANCE OF EXISTING TRAFFIC SIGNAL INSTALLATION		EACH	1
85700200	FULL-ACTUATED CONTROLLER AND TYPE IV CABINET		EACH	1
86200200	UNINTERRUPTIBLE POWER SUPPLY, STANDARD		EACH	1
87301215	ELECTRIC CABLE IN CONDUIT, SIGNAL NO. 14 2C		FOOT	2180
87301225	ELECTRIC CABLE IN CONDUIT, SIGNAL NO. 14 3C		FOOT	1344
87301245	ELECTRIC CABLE IN CONDUIT, SIGNAL NO. 14 5C		FOOT	2430
87301255	ELECTRIC CABLE IN CONDUIT, SIGNAL NO. 14 7C		FOOT	1557
87301705	ELECTRIC CABLE IN CONDUIT, COMMUNICATION NO. 18 3 PAIR		FOOT	844
87301900	ELECTRIC CABLE IN CONDUIT, EQUIPMENT GROUNDING CONDUCTOR, NO. 6 1C		FOOT	568
87502680	TRAFFIC SIGNAL POST, ALUMINUM 14 FT.		EACH	4
87702920	STEEL COMBINATION MAST ARM ASSEMBLY AND POLE 38 FT.		EACH	1
87702930	STEEL COMBINATION MAST ARM ASSEMBLY AND POLE 40 FT.		EACH	2
87702960	STEEL COMBINATION MAST ARM ASSEMBLY AND POLE 46 FT.		EACH	1
87800100	CONCRETE FOUNDATION, TYPE A		FOOT	12
87800150	CONCRETE FOUNDATION, TYPE C		FOOT	3.5
87800400	CONCRETE FOUNDATION, TYPE E 30-INCH DIAMETER		FOOT	14
87800415	CONCRETE FOUNDATION, TYPE E 36-INCH DIAMETER		FOOT	39
88040070	SIGNAL HEAD, POLYCARBONATE, LED, 1-FACE, 3-SECTION, BRACKET MOUNTED		EACH	4
88040090	SIGNAL HEAD, POLYCARBONATE, LED, 1-FACE, 3-SECTION, MAST ARM MOUNTED		EACH	8
88040150	SIGNAL HEAD, POLYCARBONATE, LED, 1-FACE, 5-SECTION, BRACKET MOUNTED		EACH	4
88040160	SIGNAL HEAD, POLYCARBONATE, LED, 1-FACE, 5-SECTION, MAST ARM MOUNTED		EACH	4
88102825	PEDESTRIAN SIGNAL HEAD, POLYCARBONATE, LED, 1-FACE, BRACKET MOUNTED WITH COUNT DOWN TIMER		EACH	8
88200100	TRAFFIC SIGNAL BACKPLATE		EACH	20
88700090	CONFIRMATION BEACON		EACH	4
88700200	LIGHT DETECTOR		EACH	4
88700300	LIGHT DETECTOR AMPLIFIER		EACH	4
89502375	REMOVE EXISTING TRAFFIC SIGNAL EQUIPMENT		EACH	1
X0327515	THERMAL VEHICLE DETECTION SYSTEM		EACH	1
X8211285	LUMINAIRE, LED, HORIZONTAL MOUNT, 285 WATT		EACH	4
X8800101	PEDESTRIAN PUSH-BUTTON, SPECIAL		EACH	8



PHASE DESIGNATION DIAGRAM

PHASE DESIGNATION DIAGRAM LEGEND

- ⊕ * DUAL ENTRY PHASE * NUMBER REFERS TO ASSOCIATED PHASE
- ⊕ PEDESTRIAN PHASE

EMERGENCY VEHICLE PREEMPTION

PROPOSED PRIORITY UNITS

PRIORITY LANE INTERVAL	1	2
MOVEMENT	↑↓	→←

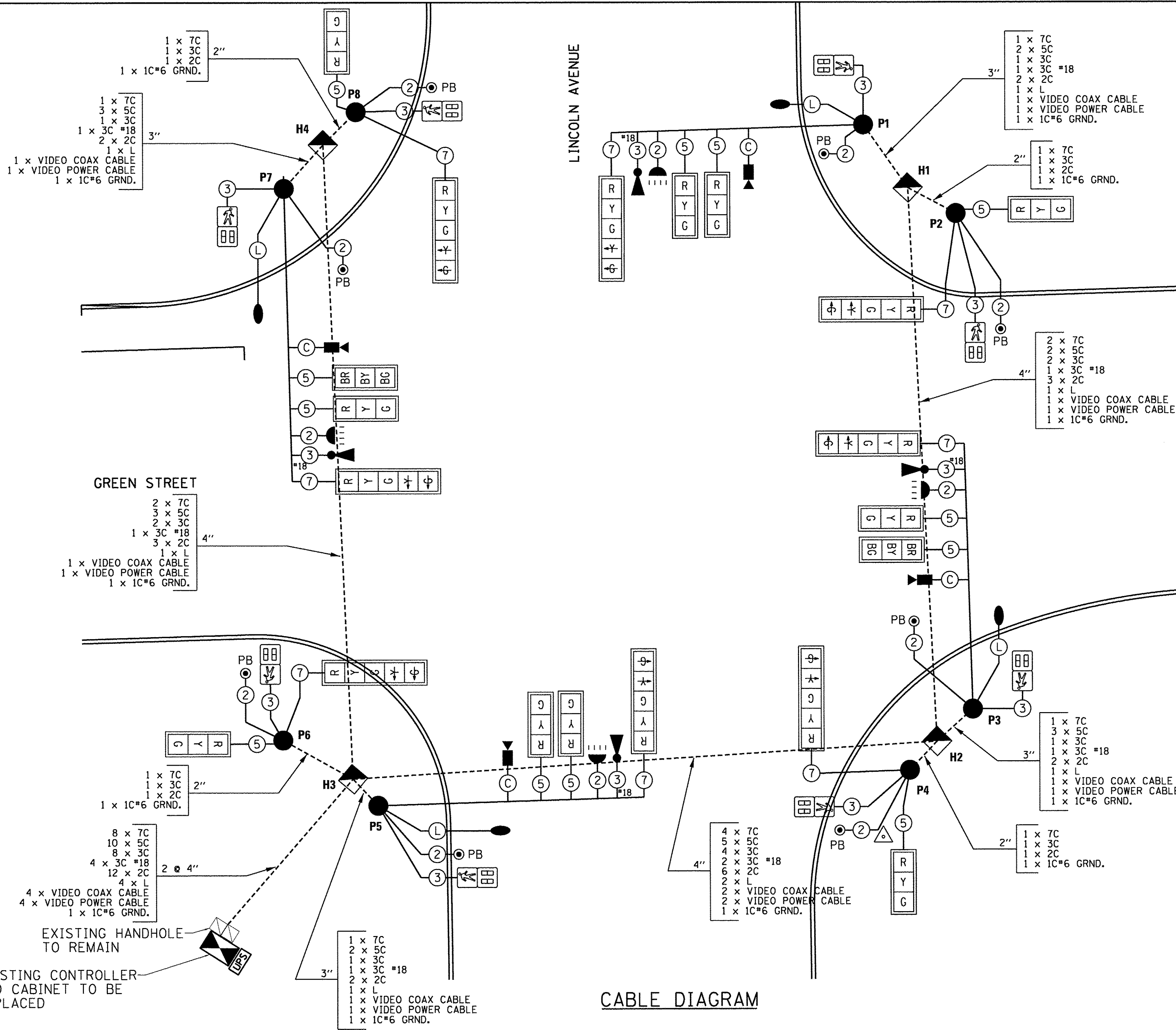
NOTES:

- ONCE PREEMPTION HAS BEEN CALLED, TERMINATION OF A PHASE(S) SHALL BE IDENTICAL TO NORMAL SEQUENCE OF OPERATION'S TERMINATION OF A PHASE(S) AS DESCRIBED IN STANDARD 857001.
- ALL RED CLEARANCE INTERVALS MUST BE DISPLAYED AFTER THE YELLOW CLEARANCE INTERVAL WHEN ENTERING OR LEAVING THE PREEMPTION SEQUENCE.

NOTES:

- LBI = LEADING BICYCLE INTERVAL, WHICH SHALL BE A MINIMUM OF 5 SECONDS
- LPI = LEADING PEDESTRIAN INTERVAL, WHICH SHALL BE A MINIMUM OF 5 SECONDS
- ALL RED TIMES FOLLOWING THROUGH PHASES SHALL BE 2.5 SECONDS
- ALL RED TIMES FOLLOWING LEFT TURN PHASES SHALL BE 2.0 SECONDS

PHASE	1		2		3		4		CYCLE LENGTH
	AM	PM	AM	PM	AM	PM	AM	PM	
GREEN TIME IN SECONDS	6.0	5.0	3.0	3.0	7.0	7.0	29.3	35.3	110 SEC.
			YELLOW	YELLOW	RED + (LBI & LPI)	RED	YELLOW	RED	
					YELLOW	RED	YELLOW	RED	



CABLE DIAGRAM

CABLE DIAGRAM LEGEND

- CONDUIT SIZE
- NUMBER OF CABLES IN CONDUIT
- NUMBER OF CONDUCTORS IN EACH CABLE
- CONTROLLER CABINET
- HANDHOLE
- MAST ARM POLE, SIGNAL POST, OR PB POST
- PEDESTRIAN PUSH-BUTTON
- SIGNAL FACE
- SIGNAL FACE AND BACKPLATE
- BICYCLE SIGNAL FACE AND BACKPLATE
- PEDESTRIAN SIGNAL FACE
- UNINTERRUPTIBLE POWER SUPPLY
- ELECTRIC CABLE IN CONDUIT
- ⊕ DENOTES NUMBER OF CONDUCTORS ALL CABLE NO. 14 EXCEPT AS INDICATED
- ⊕ ROADWAY LIGHTING CABLE 3-1c*10
- ⊕ LUMINAIRE (SEE ROADWAY LIGHTING PLANS)
- ⊕ VIDEO COAX AND POWER CABLE
- ⊕ EMERGENCY VEHICLE PREEMPTION DETECTOR
- ⊕ CONFIRMATION BEACON
- ⊕ THERMAL VEHICLE DETECTOR

TRAFFIC SIGNAL PLANS - GREEN ST. & LINCOLN AVE.

CABLE DIAGRAM / PHASE DESIGNATION DIAGRAM / TRAFFIC SIGNAL GENERAL NOTES / BILL OF MATERIALS

SCALE: NONE

LAYOUT	JCK	11/24/15
DRAWN	RLA	2/4/16
REVIEWED	KNB	3/22/16

FILE NAME =	Z:\Plans\sheets\Project1\P1-sht-cable03.dgn
PLOT DATE =	8/25/2016 1:45:29 PM

DESIGNED -	JCK	REVISED -	
DRAWN -	RLA	REVISED -	
CHECKED -	KNB	REVISED -	
DATE -	8/26/2016	REVISED -	

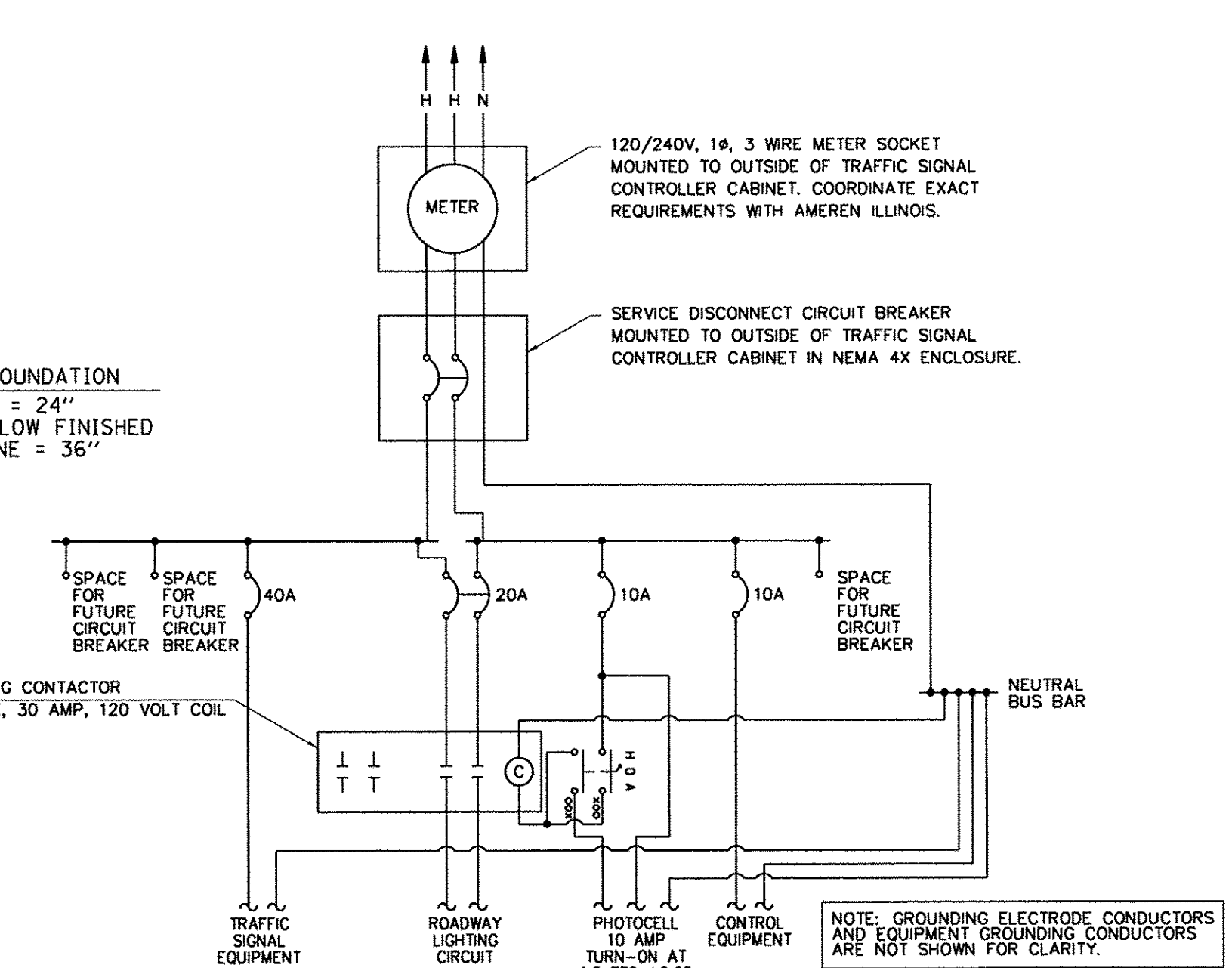
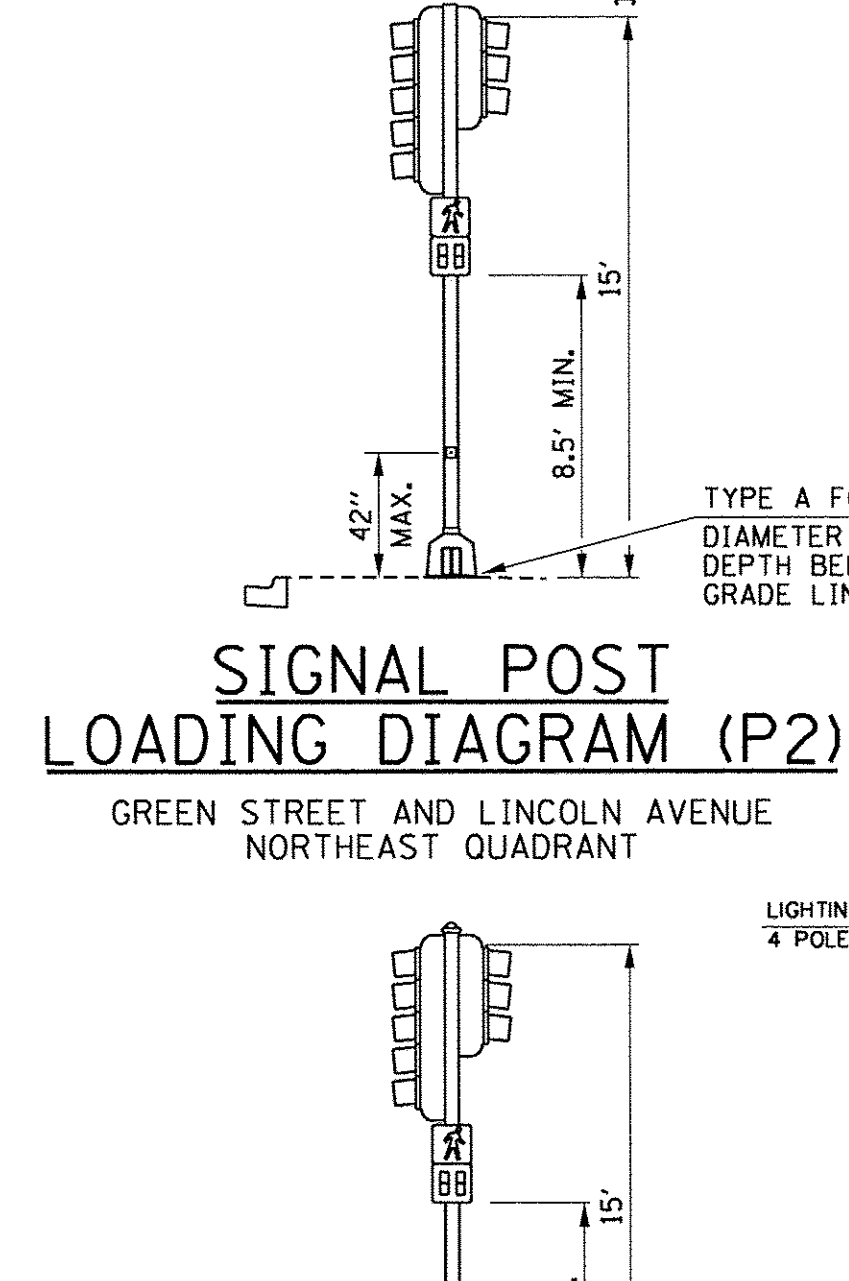
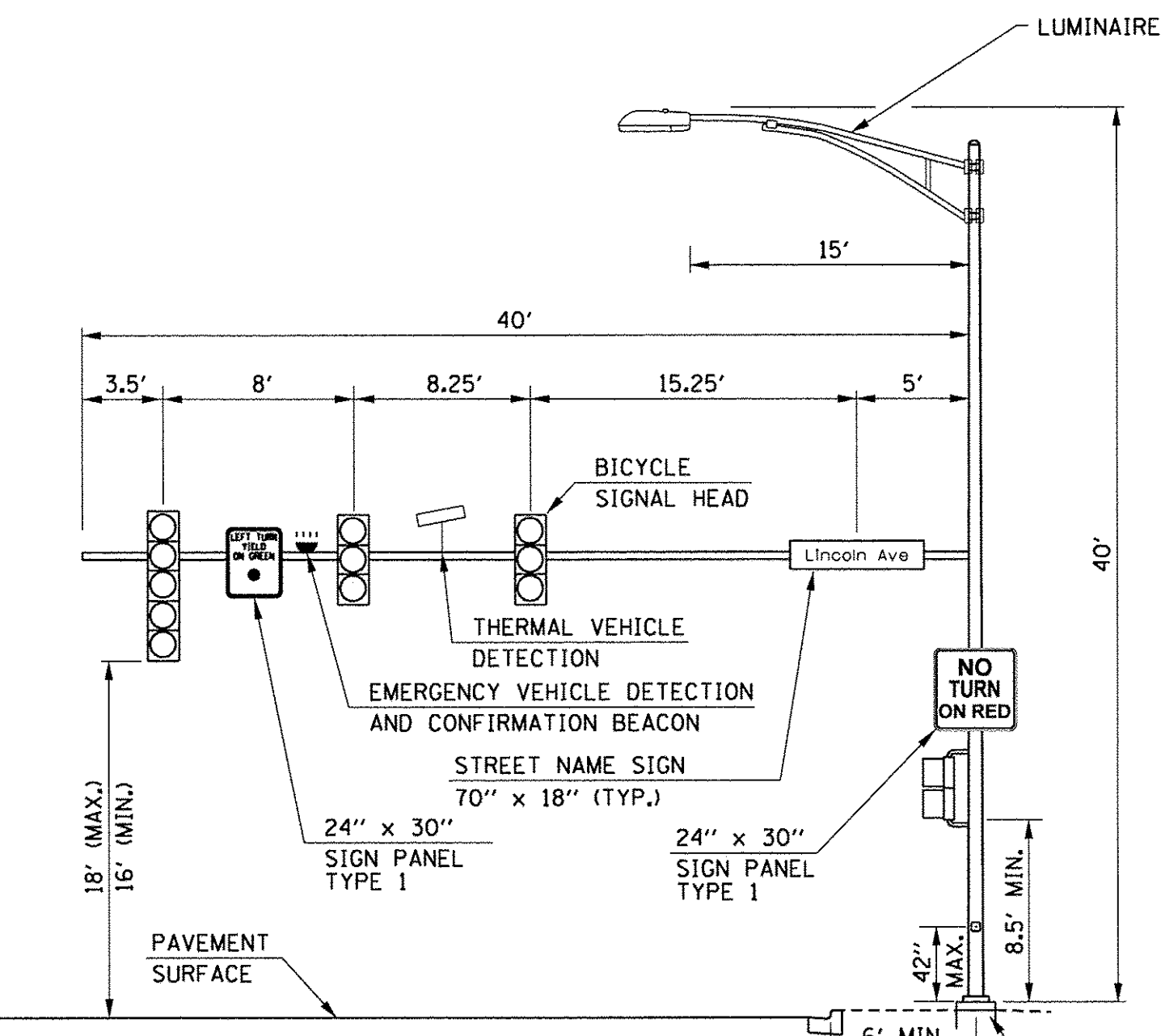
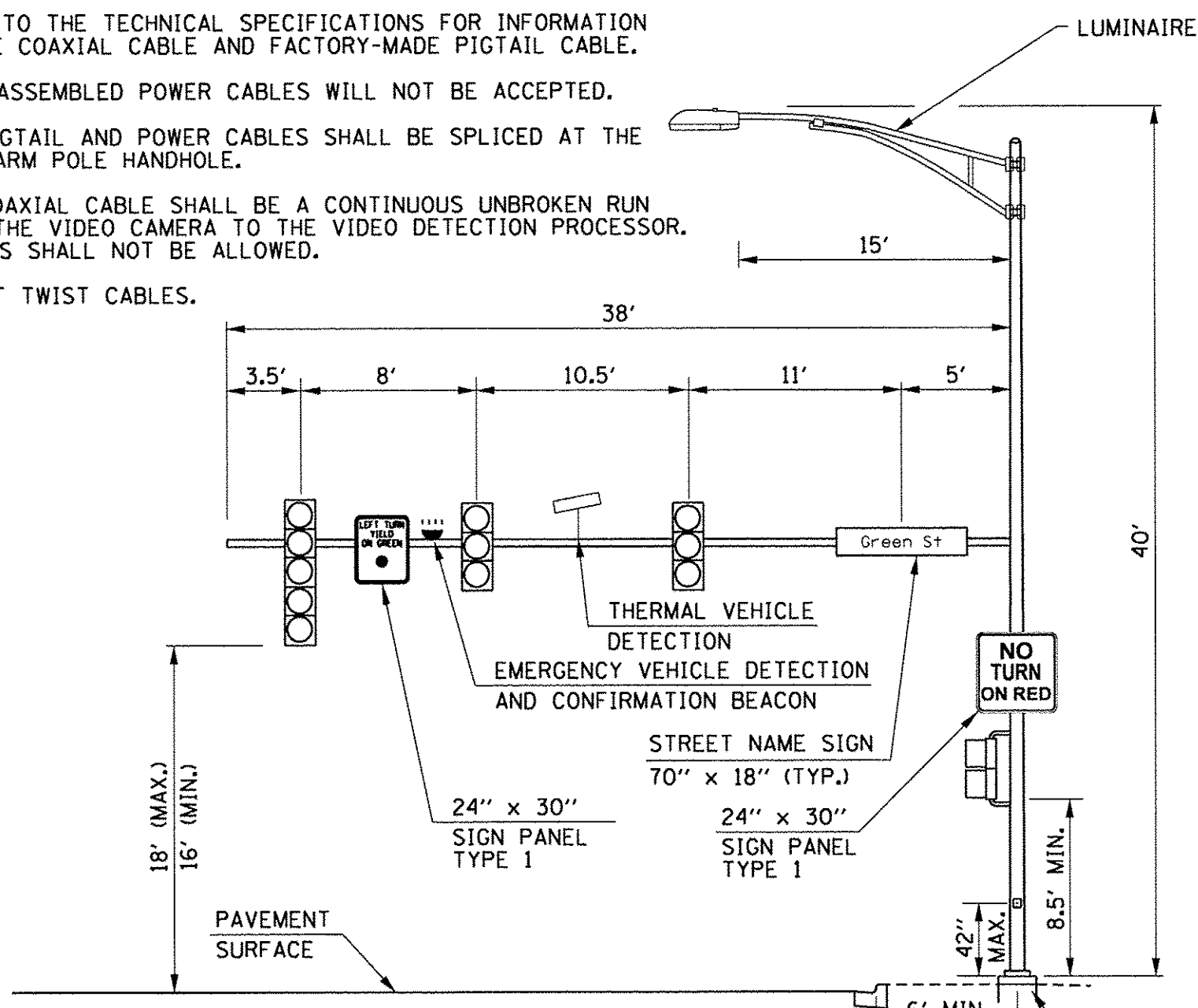
STATE OF ILLINOIS
DEPARTMENT OF TRANSPORTATION

PROJECT 1 - GREEN STREET & LINCOLN AVENUE			
CABLE PLAN			
SCALE: 1"=10'	SHEET NO.	OF SHEETS	STA. TO STA.

F.A.U. RTE.	SECTION	COUNTY	TOTAL SHEETS	SHEET NO.
7126	15-00304-01-PV	CHAMPAIGN	236	145
MCORE PROJECT 1			CONTRACT NO. 91539	
JOB NO. C-95-305-16 ILLINOIS FED. AID PROJECT TIG-5181057				

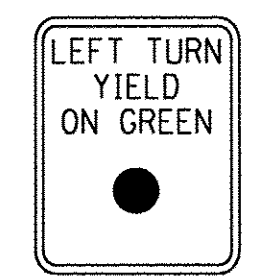
NOTES:

- REFER TO THE TECHNICAL SPECIFICATIONS FOR INFORMATION ON THE COAXIAL CABLE AND FACTORY-MADE PIGTAIL CABLE.
- FIELD-ASSEMBLED POWER CABLES WILL NOT BE ACCEPTED.
- THE PIGTAIL AND POWER CABLES SHALL BE SPLICED AT THE MAST ARM POLE HANDHOLE.
- THE COAXIAL CABLE SHALL BE A CONTINUOUS UNBROKEN RUN FROM THE VIDEO CAMERA TO THE VIDEO DETECTION PROCESSOR. SPLICES SHALL NOT BE ALLOWED.
- DO NOT TWIST CABLES.



PEDESTRIAN PUSH-BUTTON SIGN DETAIL

9' x 15'
THE COST OF THE PEDESTRIAN PUSH-BUTTON SIGN SHALL BE INCLUDED IN THE COST OF THE PEDESTRIAN PUSH-BUTTON



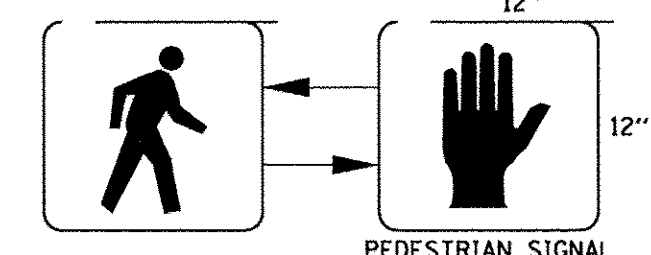
SIGN PANEL TYPE 1

0.8" BORDER
4 REQUIRED OF R10-12 = 20.0 SQ FT
ONLY HIGH INTENSITY SHEETING SHALL BE USED



SIGN PANEL TYPE 1

0.8" BORDER
4 REQUIRED OF R10-11 = 36.0 SQ FT
ONLY HIGH INTENSITY SHEETING SHALL BE USED

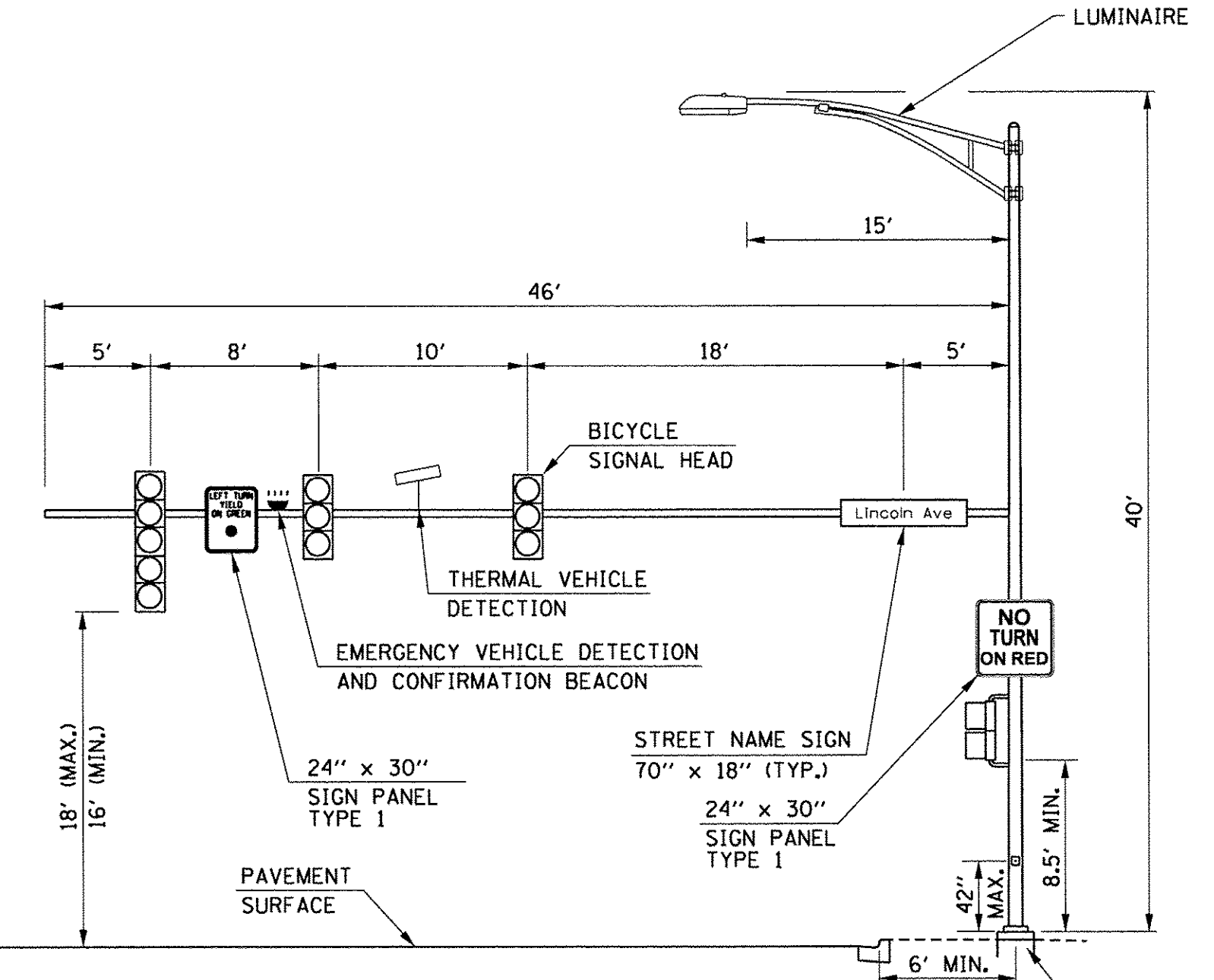
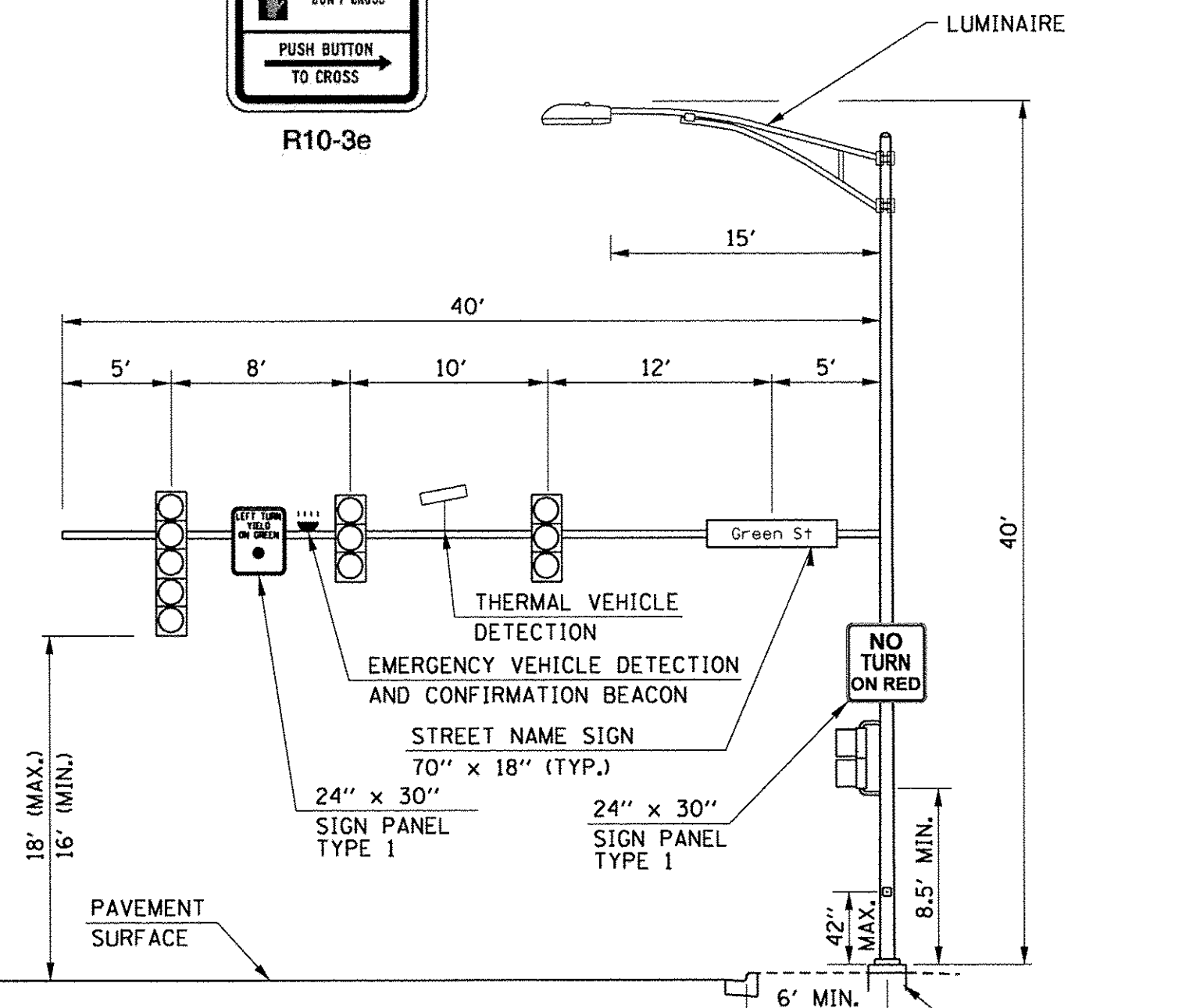


PEDESTRIAN COUNTDOWN SIGNAL DISPLAY DETAIL

NO SCALE



R10-3e



SIGNAL POST LOADING DIAGRAM (P4)

GREEN STREET AND LINCOLN AVENUE
SOUTHEAST QUADRANT

SIGNAL POST LOADING DIAGRAM (P6)

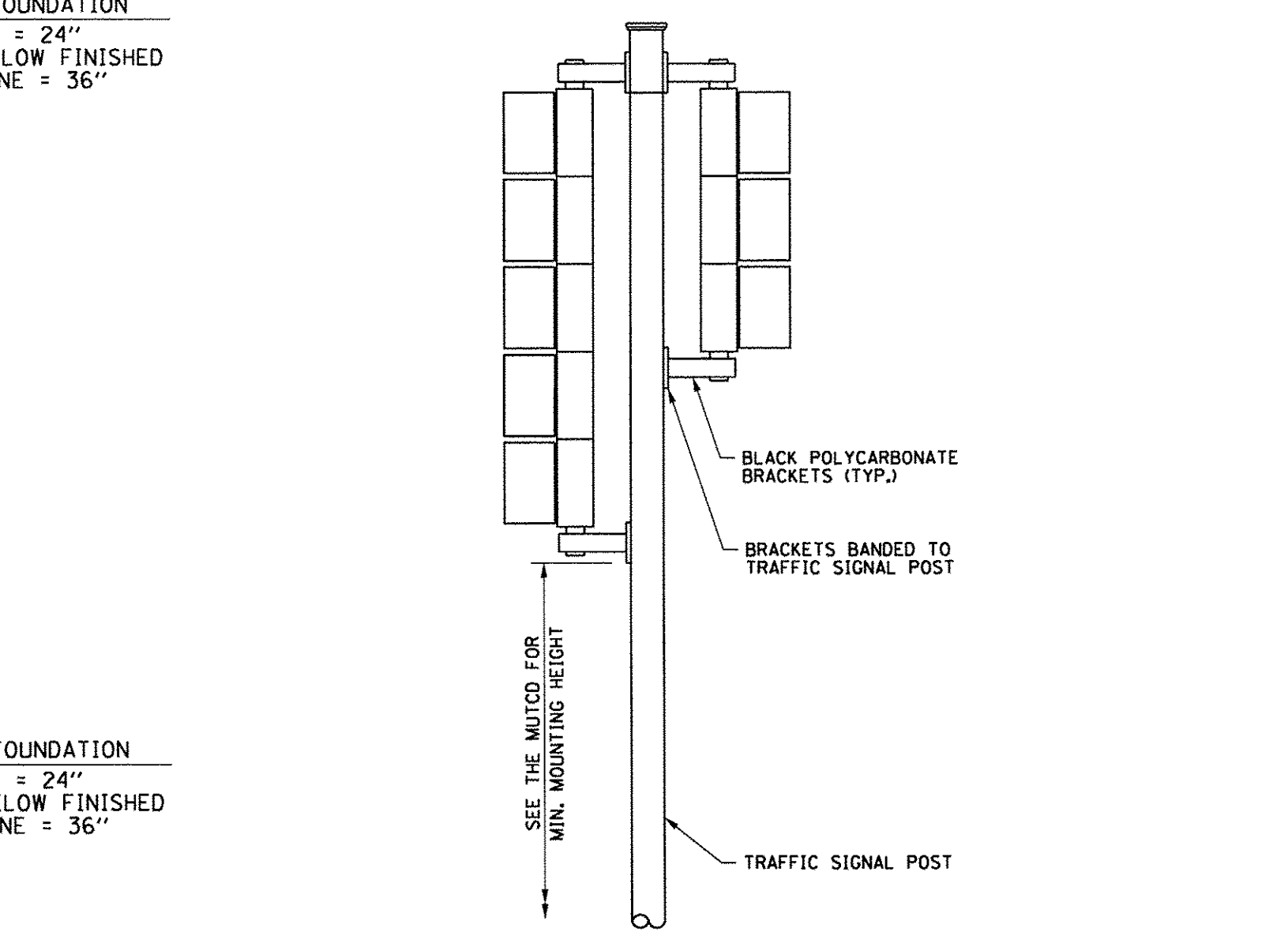
GREEN STREET AND LINCOLN AVENUE
SOUTHWEST QUADRANT

SIGNAL POST LOADING DIAGRAM (P8)

GREEN STREET AND LINCOLN AVENUE
NORTHWEST QUADRANT

TRAFFIC SIGNAL CONTROLLER PANELBOARD SCHEDULE

PANELBOARD		TRAFFIC SIGNAL		MAIN		M.L.O.		LOCATION:	
VOLTAGE		120/240		BUS RATING		60 AMPS		GREEN STREET AT LINCOLN AVENUE	
PHASE/WIRE		1PH/3W		MOUNTING		INTERIOR ONLY			
DESCRIPTION	CKT. NO.	LOAD (VA)	AMPS/POLES	CKT. BKR.	CKT. BKR.	AMPS/POLES	LOAD (VA)	CKT. NO.	DESCRIPTION
TRAFFIC SIGNAL EQUIPMENT	1	3500	40/1			10/1	300	2	SPACE
CONTROL EQUIPMENT	3	800	10/1			10/1	300	4	PHOTOCELL
ROADWAY LIGHTING CIRCUIT	5	560	20/2					6	SPACE
	7	560						8	SPACE
SUBTOTAL "A"		4060					0		
SUBTOTAL "B"								300	
TOTAL VOLT-AMPERES A & B:		5720 VA							



ONE 3-SECTION SIGNAL HEAD AND ONE 5-SECTION SIGNAL HEAD BRACKET MOUNTED WITH BOTTOM SECTIONS AT COMMON ELEVATION

© Copyright Hanson Professional Services Inc. 2016
HANSON
Hanson Professional Services Inc.

LAYOUT	JCK	11/24/15
DRAWN	RLA	2/4/16
REVIEWED	KNB	3/22/16

FILE NAME = Z:\Plans\Sheets\Project1\P1-sht-MastArm03.dgn
PLOT DATE = 8/25/2016 1:45:35 PM

DESIGNED	- JCK	REVISED	-
DRAWN	- RLA	REVISED	-
CHECKED	- KNB	REVISED	-
DATE	- 8/26/2016	REVISED	-

STATE OF ILLINOIS
DEPARTMENT OF TRANSPORTATION

PROJECT 1 - GREEN STREET & LINCOLN AVENUE
MAST ARM LOADING DIAGRAM

F.A.U. RTE.	SECTION	COUNTY	TOTAL SHEETS	SHEET NO.
7126	15-00304-01-PV	CHAMPAIGN	236	146
MCORE PROJECT 1			CONTRACT NO. 91539	
JOB NO. C-95-305-16			ILLINOIS FED. AID PROJECT TIG-5181057	

SCALE: N/A SHEET NO. OF SHEETS STA. TO STA.

TRAFFIC CONTROL GENERAL STANDARDS

THE FOLLOWING TRAFFIC CONTROL STANDARDS ARE THE MINIMUM REQUIREMENTS FOR THE TRAFFIC CONTROL FOR THIS PROJECT:

STANDARD	APPLICATION	STANDARD	APPLICATION
701006	OFF-ROAD OPERATIONS	701602	LANE CLOSURE WITH BIDIRECTIONAL LEFT TURN LANE
701301	LANE CLOSURE - SHORT TIME OPERATIONS	701611	HALF ROAD CLOSURE, MULTILANE WITH MOUNTABLE MEDIUM
701311	LANE CLOSURE - MOVING OPERATIONS (DAY ONLY)	701701	LANE CLOSURE, MULTILANE INTERSECTION
701501	LANE CLOSURE ON SINGLE LANE STREETS	701801	SIDEWALK CLOSURES
701502	LANE CLOSURE WITH LANE SHIFT ON SINGLE LANE STREETS	701901	TRAFFIC CONTROL DEVICES

TRAFFIC CONTROL GENERAL NOTES

- TRAFFIC CONTROL IS AN INTEGRAL PART OF THE CONTRACTOR'S MEANS AND METHODS FOR COMPLETING THE WORK. THE REQUIREMENTS SET FORTH HEREIN AND WITHIN THE PROJECT SPECIFICATIONS PRESENT THE MINIMUM REQUIREMENTS FOR THE CONTROL AND PROTECTION OF PEDESTRIAN, BICYCLE, AND VEHICULAR TRAFFIC. THE CONTRACTOR SHALL IMPLEMENT ALL ADDITIONAL MEASURES NECESSARY TO FULLY PROTECT PEDESTRIANS, BICYCLES, VEHICLES AND THE CONTRACTOR'S WORK FORCE FROM THE CONTRACTOR'S WORK ACTIVITIES AND FROM PASSING TRAFFIC. FIELD MODIFICATION OF THE TRAFFIC CONTROL SCHEME DEPICTED IN THE TRAFFIC CONTROL PLANS SHALL BE APPROVED BY THE ENGINEER. THE CONTRACTOR'S TRAFFIC CONTROL PLAN AND SEQUENCE OF CONSTRUCTION SHALL INCORPORATE THESE REQUIREMENTS:
 - WORK PERFORMED DURING STAGE 1 SHALL BE PERFORMED UNDER STREET CLOSURE AS ALLOWED BY THE SPECIFICATIONS.
 - GREEN STREET WILL BE CLOSED TO ALL THRU TRAFFIC FROM WRIGHT STREET TO GOODWIN AVENUE FOR STAGES 1 AND 2 AS ALLOWED BY THE SPECIFICATIONS. LOCAL ACCESS TO THE ILLINI UNION, HARKER HALL AND MATHEWS AVENUE SHALL BE MAINTAINED.
 - GOODWIN AVENUE AND LINCOLN AVENUE SHALL REMAIN OPEN TO TWO-WAY TRAFFIC FOR ALL STAGES OF CONSTRUCTION.
 - AT THE END OF EACH STAGE THE CONSTRUCTED ROADWAYS SHALL BE OPENED TO TRAFFIC UNLESS OTHERWISE SHOWN ON THE PLANS OR DIRECTED BY THE ENGINEER.
- ACCESS TO COMMERCIAL AND RESIDENTIAL ENTRANCES DURING THE VARIOUS STAGES SHALL BE MAINTAINED AS SHOWN ON THE PLANS OR AS DIRECTED BY THE ENGINEER. THE CONTRACTOR SHALL MAINTAIN AT LEAST ONE POINT OF ACCESS TO EACH PROPERTY IN THE WORK AREA AT ALL TIMES.
- THE INTERSECTION OF GREEN STREET AND GOODWIN AVENUE SHALL OPERATE UNDER ALL-WAY STOP CONTROL DURING ALL STAGES OF CONSTRUCTION. THE SIGNALS WILL BE SET TO FLASH RED AND WHICH SHALL BE SUPPLEMENTED WITH STOP SIGNS AT THE ENGINEER'S DISCRETION. NORMAL SIGNAL FUNCTION SHALL BE RESTORED DURING THE WINTER SHUTDOWN.
- NO DEVIATIONS FROM THE APPROVED TRAFFIC CONTROL PLAN WILL BE ALLOWED WITHOUT WRITTEN PERMISSION FROM THE ENGINEER.
- TRAFFIC CONTROL AND PROTECTION SHALL BE IN ACCORDANCE WITH THE APPLICABLE PORTIONS OF THE IDOT STANDARD SPECIFICATIONS FOR ROAD AND BRIDGE CONSTRUCTION; THE APPLICABLE GUIDELINES CONTAINED IN THE MANUAL ON UNIFORM TRAFFIC CONTROL DEVICES FOR STREETS AND HIGHWAYS (MUTCD); THE TRAFFIC CONTROL PLANS, IDOT TRAFFIC CONTROL GENERAL STANDARDS LISTED ABOVE AND THE TECHNICAL SPECIFICATIONS. DELETE ALL REFERENCES TO MEASUREMENT AND PAYMENT.
- TRAFFIC CONTROL AND PROTECTION WILL BE PAID FOR AT THE CONTRACT LUMP SUM PRICE FOR TRAFFIC CONTROL AND PROTECTION (SPECIAL). THE TRAFFIC CONTROL AND PROTECTION INSTALLATION FOR EACH WORK AREA WILL NOT BE PAID FOR SEPARATELY, BUT SHALL BE INCLUDED IN THE LUMP SUM PRICE FOR THIS ITEM. ALL ADDITIONAL TRAFFIC CONTROL DEVICES AND TRAFFIC CONTROL SIGNS REQUIRED FOR THE WORK AS SHOWN ON THE TRAFFIC CONTROL PLANS OR AS DIRECTED BY THE ENGINEER, INCLUDING ALL DETOUR SIGNS, SHALL BE INCLUDED IN THE LUMP SUM PRICE OF TRAFFIC CONTROL AND PROTECTION (SPECIAL).
- TRAFFIC CONTROL SURVEILLANCE WILL NOT BE PAID FOR SEPARATELY FOR THIS PROJECT. THE CONTRACTOR SHALL BE RESPONSIBLE FOR INSPECTING AND MAINTAINING ALL TRAFFIC CONTROL DEVICES AT ALL TIMES INCLUDING NIGHTTIME, WEEKENDS, AND ANY TIME WORKERS ARE NOT PRESENT. THIS WORK SHALL BE PERFORMED IN ACCORDANCE WITH THE PROJECT SPECIAL PROVISIONS. THE COST OF ALL LABOR AND MATERIALS FOR THE SURVEILLANCE AND MAINTENANCE OF TRAFFIC CONTROL DEVICES SHALL BE INCLUDED IN THE LUMP SUM PRICE OF TRAFFIC CONTROL AND PROTECTION (SPECIAL).
- TEMPORARY SIDEWALKS SHALL HAVE A MINIMUM WIDTH OF FIVE (5) FEET UNLESS OTHERWISE DIRECTED BY THE ENGINEER.
- FURNISHING, PLACING, MAINTAINING, AND REMOVING ALL TEMPORARY PCC SIDEWALKS, AGGREGATE, AND HOT-MIX ASPHALT THAT IS USED TO TEMPORARILY FILL ANY VOIDS OR TO PROVIDE TEMPORARY ACCESS FOR VEHICLES OR PEDESTRIANS WILL BE PAID FOR AT THE CONTRACT UNIT PRICE:
 - PER TON FOR AGGREGATE FOR TEMPORARY ACCESS
 - PER TON FOR INCIDENTAL HOT-MIX ASPHALT SURFACING
 - PER SQUARE FOOT FOR TEMPORARY SIDEWALK.

TYPICAL THICKNESSES OF TEMPORARY ITEMS:

 - AGGREGATE FOR TEMPORARY ACCESS = 8"
 - INCIDENTAL HOT-MIX ASPHALT SURFACING = 8"
 - TEMPORARY PCC SIDEWALK = 4"
 - TEMPORARY HMA SIDEWALK = 2"
- THE CONTRACTOR SHALL COVER OR REMOVE EXISTING SIGNS THAT CONFLICT WITH THE TRAFFIC CONTROL PLANS AS DIRECTED BY THE ENGINEER. THE CONTRACTOR SHALL PROVIDE "NO PARKING" SIGNS ALONG THE CORRIDOR AS DIRECTED BY THE ENGINEER. THE CONTRACTOR SHALL PROVIDE ALL SIGNS AS SHOWN ON THE TRAFFIC CONTROL PLANS AND ADDITIONAL SIGNS AS REQUIRED BY THE LISTED HIGHWAY STANDARDS OR AS DIRECTED BY THE ENGINEER. THE PROPOSED TRAFFIC CONTROL SIGNS SHALL BE INSTALLED IN ACCORDANCE WITH STANDARD 701901, THE DETAILS IN THE PLANS, AND AS DIRECTED BY THE ENGINEER.
- FLASHING LIGHTS SHALL BE PLACED ON ALL TYPE III BARRICADES IN ACCORDANCE WITH STANDARD 701901 UNLESS OTHERWISE DIRECTED BY THE ENGINEER. STEADY BURN LIGHTS SHALL BE PLACED ON ALL DRUMS AND BARRICADES (EXCEPT FOR TYPE III BARRICADES) IN ACCORDANCE WITH STANDARD 701901 UNLESS OTHERWISE DIRECTED BY THE ENGINEER.
- TRAFFIC CONTROL DEVICES MAY BE ADJUSTED TO FIT FIELD CONDITIONS AS DIRECTED BY THE ENGINEER. ADDITIONAL TRAFFIC CONTROL DEVICES NOT ASSOCIATED WITH ANY TRAFFIC CONTROL STANDARD MAY BE REQUIRED AS DIRECTED BY THE ENGINEER. THE ADDITIONAL TRAFFIC CONTROL DEVICES SHALL BE INCLUDED IN THE LUMP SUM PRICE OF TRAFFIC CONTROL AND PROTECTION (SPECIAL), AND NO ADDITIONAL COMPENSATION WILL BE ALLOWED. TRAFFIC CONTROL DEVICES SHALL BE REMOVED AS DIRECTED BY THE ENGINEER.
- THE CONTRACTOR SHALL PROVIDE AND INSTALL TWO (2) WEIGHTED SAND BAGS ON EACH TYPE II BARRICADE USED (ONE WEIGHTED SAND BAG ACROSS EACH BOTTOM RAIL) AND A MINIMUM OF FOUR (4) WEIGHTED SAND BAGS ON EACH TYPE III BARRICADE USED.
- THE CONTRACTOR SHALL NOTIFY THE CITY OF URBANA OF ALL ROAD CLOSURES AND CHANGES IN THE TRAFFIC CONTROL PLANS A MINIMUM OF 48 HOURS IN ADVANCE OF THE WORK.
- THE CITY OF URBANA WILL BE RESPONSIBLE FOR NOTIFYING THE PUBLIC, THE UNITED STATES POSTAL SERVICE, THE CHAMPAIGN-URBANA MASS TRANSIT DISTRICT, AND THE EMERGENCY SERVICE AGENCIES OF ALL ROAD CLOSURES AND CHANGES IN THE TRAFFIC CONTROL PLANS.
- TEMPORARY PAVEMENT MARKINGS:
 - SHALL BE FULL LANE LAYOUT AT SIGNALIZED INTERSECTIONS AS DIRECTED BY THE ENGINEER, INCLUDING LEFT-TURN ARROWS, CENTERLINE SKIP DASHES SHALL BE PROVIDED ON GREEN STREET AS DIRECTED BY THE ENGINEER, STOP LINES SHALL BE PROVIDED ON SIDE STREETS AS DIRECTED BY THE ENGINEER. REFER TO THE PAVEMENT MARKING PLANS FOR ADDITIONAL INFORMATION.
 - WORK ZONE PAVEMENT MARKING SHALL BE INSTALLED AS REQUIRED BY THE TRAFFIC CONTROL STANDARDS, AS SHOWN ON THE TRAFFIC CONTROL PLANS, AND AS DIRECTED BY THE ENGINEER.
 - WORK ZONE PAVEMENT MARKING REQUIRED BY THE TRAFFIC CONTROL STANDARDS WILL NOT BE PAID FOR SEPARATELY, AS DESCRIBED IN ARTICLE 703.07 OF THE STANDARD SPECIFICATIONS, AND NO ADDITIONAL COMPENSATION WILL BE ALLOWED.
 - WORK ZONE PAVEMENT MARKING SHOWN ON THE TRAFFIC CONTROL PLANS WILL BE PAID FOR AT THE CONTRACT UNIT PRICE FOR THE ITEM SPECIFIED.
 - ONLY PAVEMENT MARKING TAPE, TYPE III SHALL BE ALLOWED ON THE FINAL WEARING SURFACE.
- TO THE FULLEST EXTENT POSSIBLE, THE EXISTING PAVEMENT MARKINGS SHALL BE USED FOR TRAFFIC CONTROL. THE CONTRACTOR SHALL REMOVE THE EXISTING PAVEMENT MARKINGS OR THE PREVIOUSLY INSTALLED WORK ZONE PAVEMENT MARKINGS THAT CONFLICT WITH THE TRAFFIC CONTROL PLAN DESIGNATED FOR EACH CONSTRUCTION STAGE OR AS DIRECTED BY THE ENGINEER.
 - REMOVAL OF EXISTING PAVEMENT MARKINGS WILL BE PAID FOR AS PAVEMENT MARKING REMOVAL.
 - REMOVAL OF WORK ZONE PAVEMENT MARKINGS REQUIRED BY THE TRAFFIC CONTROL STANDARDS WILL NOT BE PAID FOR SEPARATELY, AND NO ADDITIONAL COMPENSATION WILL BE ALLOWED.
 - REMOVAL OF WORK ZONE PAVEMENT MARKINGS SHOWN ON THE TRAFFIC CONTROL PLANS WILL BE PAID FOR AT THE CONTRACT UNIT PRICE PER SQUARE FOOT FOR SHORT TERM PAVEMENT MARKING REMOVAL.
- THE WORK ZONES SHOWN ON THE TRAFFIC CONTROL PLANS AND THE PLACEMENT OF SIGNS, BARRICADES, AND OTHER TRAFFIC CONTROL DEVICES DEPICTED HEREON ARE SCHEMATIC IN NATURE. FOR SPECIFIC INSTRUCTIONS ON THE INCLUSION OF SIGNS, BARRICADES, AND OTHER TRAFFIC CONTROL DEVICES FOR INDIVIDUAL WORK ZONES, AND THE PLACEMENT THEREOF, REFER TO THE TRAFFIC CONTROL STANDARDS, THE STANDARD SPECIFICATIONS FOR ROAD AND BRIDGE CONSTRUCTION, AND THE TECHNICAL SPECIFICATIONS.
- THE INITIAL TRAFFIC CONTROL SETUP AND SUBSEQUENT CHANGES BETWEEN TRAFFIC CONTROL STAGES SHALL BE PERFORMED DURING NON-PEAK TRAFFIC HOURS AS DIRECTED BY THE ENGINEER. FLAGGERS SHALL BE REQUIRED DURING THE INITIAL SETUP AND SUBSEQUENT CHANGES OF THE TRAFFIC CONTROL DEVICES AS DIRECTED BY THE ENGINEER.
- PRIOR TO THE START OF REMOVAL OPERATIONS FOR EACH STAGE, TEMPORARY LIGHTING SHALL BE INSTALLED PER THE PROJECT SPECIFICATIONS. THE CONTRACTOR SHALL MAINTAIN THE TEMPORARY LIGHTING SYSTEM UNTIL THE PROPOSED LIGHTING SYSTEM IS OPERATIONAL. REFER TO THE TECHNICAL SPECIFICATIONS FOR ADDITIONAL INFORMATION.
- COORDINATE THE PAVEMENT REMOVAL LIMITS WITHIN EACH STAGE WITH THE STAGE CONSTRUCTION NOTES AND DETAILS SHOWN ON THE WATER MAIN PLANS
- REFER TO THE TECHNICAL SPECIFICATIONS FOR ADDITIONAL INFORMATION.
- PROPER DRAINAGE SHALL BE MAINTAINED AT ALL TIMES WITHIN THE PROJECT LIMITS. THE CONTRACTOR SHALL BE RESPONSIBLE FOR COORDINATING THIS WORK AND ANY CONSTRUCTION TECHNIQUES NECESSARY TO ENSURE PROPER DRAINAGE IS MAINTAINED AT ALL TIMES. THE COST OF ALL LABOR, EQUIPMENT, AND MATERIALS TO MAINTAIN PROPER DRAINAGE WILL NOT BE PAID FOR SEPARATELY, BUT SHALL BE INCLUDED IN THE COST OF THE MISCELLANEOUS PAY ITEMS INVOLVED.
- CONTRACTOR SHALL COORDINATE TEMPORARY BUS STOPS WITH CHAMPAIGN-URBANA MTD.
- TWO WEEKS PRIOR NOTICE IS REQUIRED FOR ANY WORK AFFECTING UNIVERSITY OF ILLINOIS PARKING LOT ENTRANCES.
- EXCEPT AS NOTED IN THESE PLANS OR AS COORDINATED WITH THE UNIVERSITY OF ILLINOIS, ACCESS TO PARKING LOTS SHALL BE MAINTAINED AT ALL TIMES.
- TWO-WAY BICYCLE ACCESS SHALL BE MAINTAINED THROUGHOUT CONSTRUCTION AS DETAILED IN THE PROJECT SPECIFICATIONS. WHEN BIKES WILL SHARE AN ACTIVE VEHICLE LANE W11-1 (BIKE) AND W16-1 (SHARE THE ROAD) SIGNS SHALL BE ERCTED AT THE START AND MIDPOINT OF EACH BLOCK. COST INCLUDED IN TRAFFIC CONTROL AND PROTECTION (SPECIAL).

TRAFFIC CONTROL BILL OF MATERIALS

CODE NUMBER	DESCRIPTION	UNIT	QTY
40201000	AGGREGATE FOR TEMPORARY ACCESS	TON	382
40800050	INCIDENTAL HOT-MIX ASPHALT SURFACING	TON	100
60603800	COMBINATION CONCRETE CURB AND GUTTER, TYPE B-6.12	FOOT	108
70300150	SHORT TERM PAVEMENT MARKING REMOVAL	SQ FT	1600
70300220	TEMPORARY PAVEMENT MARKING - LINE 4"	FOOT	1200
70300510	PAVEMENT MARKING TAPE, TYPE III - LETTERS AND SYMBOLS	SQ FT	100
70300520	PAVEMENT MARKING TAPE, TYPE III 4"	FOOT	3100
70300570	PAVEMENT MARKING TAPE, TYPE III 24"	FOOT	200
X0327980	PAVEMENT MARKING REMOVAL - WATER BLASTING	SQ FT	400
X7010216	TRAFFIC CONTROL AND PROTECTION (SPECIAL)	L SUM	1
Z0007430	TEMPORARY SIDEWALK	SQ FT	400

NOTE: APPROXIMATE QUANTITIES FOR THE ABOVE ITEMS HAVE BEEN INCLUDED FOR THIS WORK TO HELP ESTABLISH UNIT PRICES.

PEDESTRIAN TRAFFIC CONTROL NOTES

- CONTRACTOR SHALL SUBMIT A PEDESTRIAN ACCESS ROUTE PLAN, MEETING THE CRITERIA LISTED BELOW, TO THE ENGINEER FOR APPROVAL 2 WEEKS PRIOR TO THE START OF EACH STAGE.
- THE CONTRACTOR MUST MAINTAIN A CONTINUOUS 5 FOOT PEDESTRIAN ZONE ALONG GREEN STREET AND ALL SIDE ROADS. ANY SIDEWALK DETOURS MUST BE CLEARLY MARKED USING SIGNS AND BARRICADES NOTIFYING PEDESTRIANS OF THE CLOSURE. THE SIDEWALK MAY ONLY BE DETOURED FROM ONE SIDE OF THE STREET AT A TIME.
- THE CONTRACTOR SHALL MAINTAIN PEDESTRIAN ACCESS (MIN 5') TO ADJACENT PROPERTIES (WHERE APPLICABLE) BY INSTALLING ADA/PROWAG COMPLIANT PLYWOOD WALKWAYS OR APPROVED EQUIVALENT. PEDESTRIAN ACCESS TO ADJACENT PROPERTIES SHALL BE UNINTERRUPTED UNTIL THE WALKWAY IS FULLY RESTORED. THE CONTRACTOR SHALL ALSO BE RESPONSIBLE FOR THE INSTALLATION AND MAINTENANCE OF SIGNAGE AND OTHER ITEMS TO ENSURE SAFE PEDESTRIAN ACCESS. THE COST OF THE WALKWAYS SHALL BE INCLUDED IN THE CONTRACT LUMP SUM PRICE FOR TRAFFIC CONTROL AND PROTECTION (SPECIAL), AND NO ADDITIONAL COMPENSATION WILL BE ALLOWED.
- USE ONE "PEDESTRIAN WALKWAY (ARROW)" (BLACK LEGEND ON WHITE REFLECTORIZED BACKGROUND) SIGN AT EACH END OF EACH SIDEWALK SECTION BEING RECONSTRUCTED.
- AT EACH POINT OF CLOSURE, SUFFICIENT NUMBERS OF BARRICADES MUST BE USED TO COMPLETELY CLOSE THE PATHWAY.
- PEDESTRIAN WALKWAYS MUST BE MAINTAINED FREE OF ANY OBSTRUCTIONS AND HAZARDS SUCH AS HOLES, DEBRIS, MUD, CONSTRUCTION EQUIPMENT, STORED MATERIALS, ETC. AND MUST BE BROOM SWEEP DAILY OR AS DIRECTED BY THE ENGINEER. TEMPORARY PEDESTRIAN ACCESS MUST CONSIST OF AN ALL WEATHER SURFACE.
- ALL HAZARDS NEAR OR ADJACENT TO WALKWAYS MUST BE CLEARLY DELINEATED.
- THE CONTRACTOR MUST MAINTAIN DISABLED PERSON PEDESTRIAN ACCESS TO CROSSWALKS ACROSS GREEN STREET AND SIDE STREETS AT ALL TIMES VIA ADA/PROWAG COMPLIANT WOOD FRAME CONSTRUCTED WALKWAYS AND RAMPS OR APPROVED EQUIVALENT THROUGH THE WORK ZONES. ADA/PROWAG COMPLIANT ACCESS MUST ALSO BE COORDINATED AND MAINTAINED TO ALL BUILDINGS WITHIN THE WORK ZONE. ONE POINT OF COMPLIANT ACCESS MUST BE MAINTAINED AT ALL TIMES THESE ACCESSES MUST BE OBSERVED AND PROTECTED BY THE CONTRACTOR AT ALL TIMES. THE COST OF THE WALKWAYS AND RAMPS SHALL BE INCLUDED IN THE CONTRACT LUMP SUM PRICE FOR TRAFFIC CONTROL AND PROTECTION (SPECIAL), AND NO ADDITIONAL COMPENSATION WILL BE ALLOWED.

DETOUR GENERAL NOTES

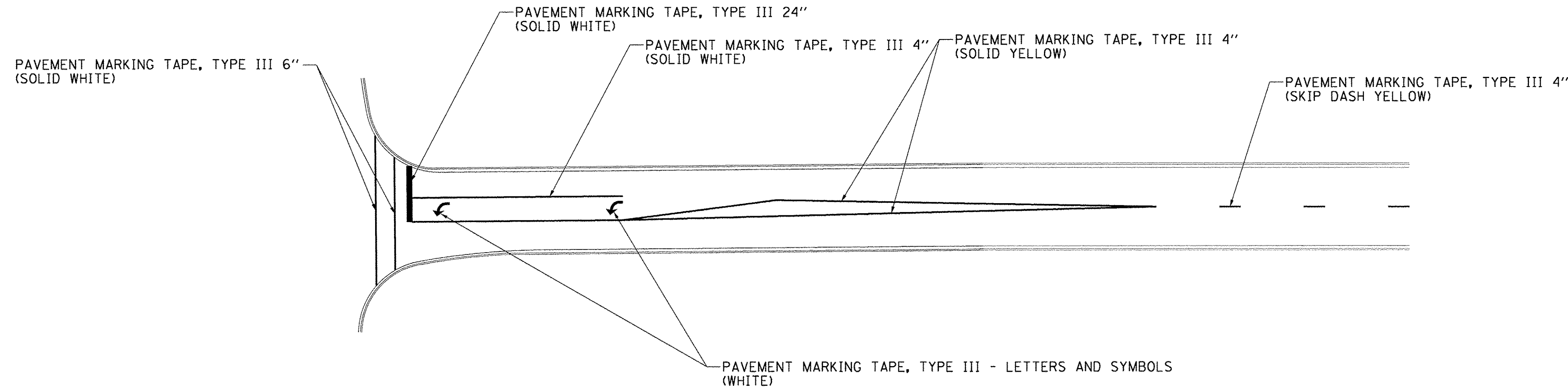
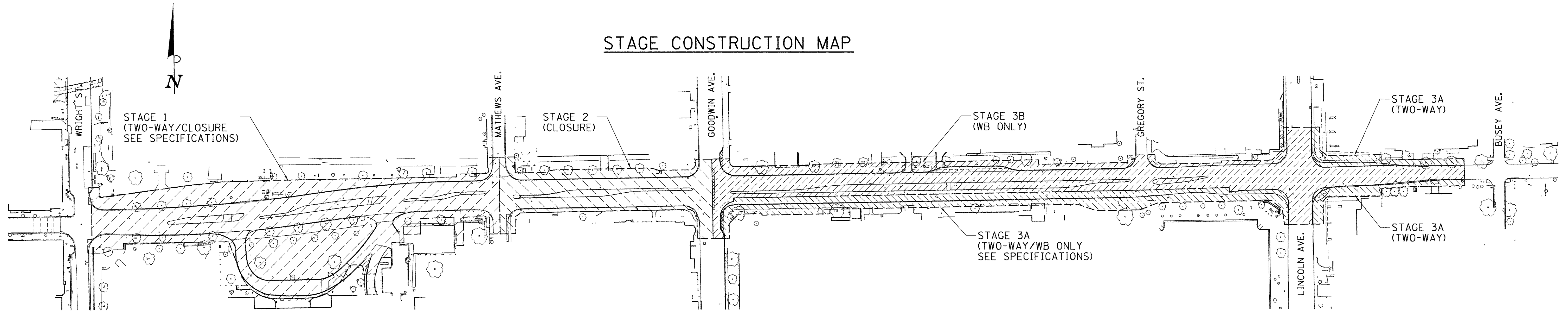
- LOCATIONS ARE CONSIDERED SCHEMATIC. ACTUAL LOCATIONS OF DETOUR SIGNING MAY VARY DEPENDING ON FIELD CONDITIONS OR AS DIRECTED BY THE ENGINEER.
- ADDITIONAL DETOUR SIGNING SHALL BE REQUIRED AS DIRECTED BY THE ENGINEER.
- THE CONTRACTOR SHALL BE RESPONSIBLE FOR PROVIDING WAY-FINDING SIGNS IF DETERMINED NECESSARY BY THE ENGINEER. THE COST TO PROVIDE, INSTALL, MAINTAIN AND REMOVE WAY-FINDING SIGNS SHALL BE INCLUDED IN THE CONTRACT LUMP SUM PRICE FOR TRAFFIC CONTROL AND PROTECTION (SPECIAL), AND NO ADDITIONAL COMPENSATION WILL BE ALLOWED.
- DETOUR SIGNS AND CHANGEABLE MESSAGE BOARDS SHALL BE INSTALLED FIVE DAYS PRIOR TO ROAD CLOSURES, CHANGES IN TRAFFIC PATTERNS, WINTER SHUTDOWN, OR ANY OTHER EVENT THAT THE ENGINEER DEEMS NECESSARY. ALL SIGNS SHALL BE MAINTAINED FOR THE DURATION OF THE EACH STAGE OF WORK. THE CONTRACTOR SHALL INSPECT SIGNS BY 8:00 AM EACH DAY TO ENSURE THAT THE SIGNS ARE FULLY OPERATIONAL AND IN PROPER WORKING ORDER. PAYMENT FOR SIGNS, CHANGEABLE MESSAGE BOARDS, AND MAINTENANCE WILL BE INCLUDED IN COST OF TRAFFIC CONTROL AND PROTECTION (SPECIAL).
- FURNISHING, INSTALLING, MAINTAINING, AND REMOVING THE DETOUR SIGNS SHALL BE INCLUDED IN THE COST OF TRAFFIC CONTROL AND PROTECTION (SPECIAL), AND NO ADDITIONAL COMPENSATION WILL BE ALLOWED.



DLC	11/24/15
CLS	8/25/16
MGD	8/26/16

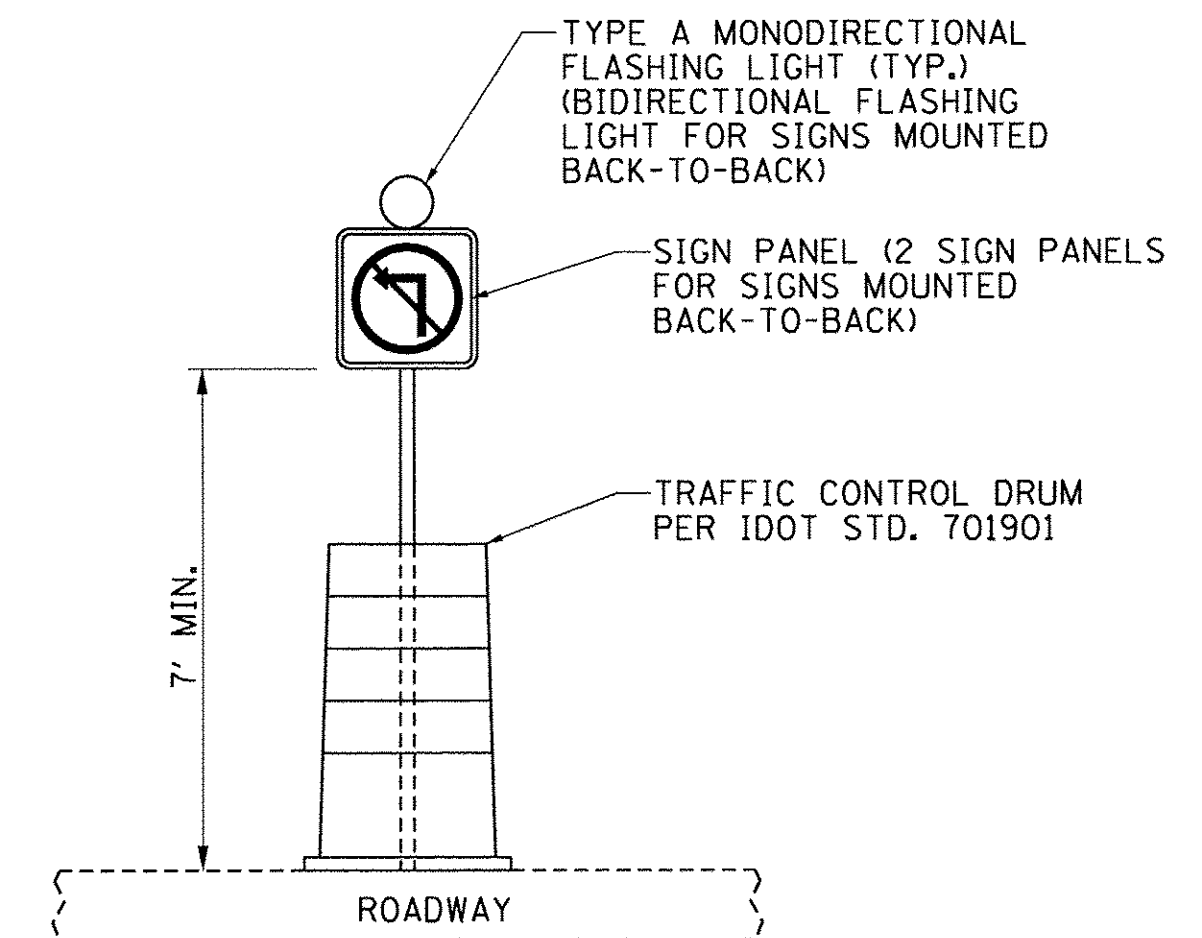
FILE NAME = Z:\Plans\Sheets\Project1\P1-sht-staging00.dgn	DESIGNED - DLC	REVISED -	STATE OF ILLINOIS DEPARTMENT OF TRANSPORTATION	PROJECT 1 - GREEN STREET TRAFFIC CONTROL GENERAL NOTES				F.A.U. RTE. 7126	SECTION 15-00304-01-PV	COUNTY CHAMPAIGN	TOTAL SHEETS 236	SHEET NO. 147
PLOT DATE = 8/25/2016 4:07:43 PM	DRAWN - CLS	REVISED -		SCALE: N/A				SHEET NO. OF SHEETS STA. TO STA.		MCORE PROJECT 1 CONTRACT NO. 91539		
	CHECKED - MGD	REVISED -						JOB NO. C-95-305-16		ILLINOIS FED. AID PROJECT TIG-5181057		
	DATE - 8/26/2016	REVISED -										

STAGE CONSTRUCTION MAP

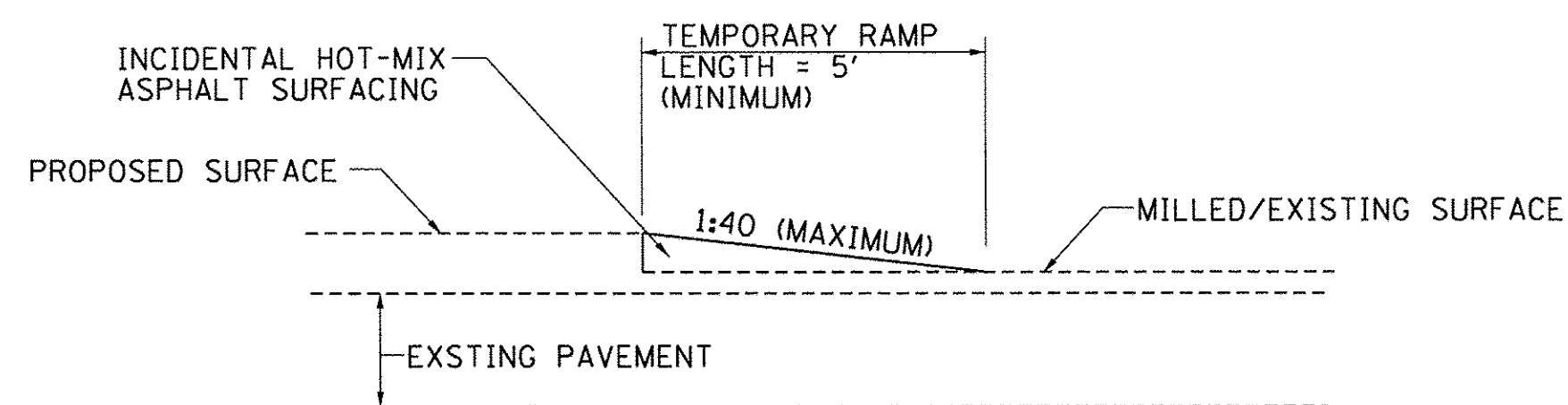


TYPICAL TEMPORARY PAVEMENT MARKING DETAIL

TEMPORARY PAVEMENT MARKINGS SHALL BE INSTALLED AS DIRECTED BY THE ENGINEER. REFER TO THE PAVEMENT MARKING PLANS FOR LANE WIDTHS, STORAGE AND TAPER LENGTHS, AND OTHER INFORMATION.



DRUM MOUNTED SIGN DETAIL



TEMPORARY RAMP DETAIL

WINTER SHUT DOWN

- GREEN STREET SHALL BE OPEN TO TWO-WAY TRAFFIC FROM WRIGHT STREET TO BUSEY AVENUE. AT LEAST ONE ELEVEN (11) FOOT WIDE LANE SHALL BE PROVIDED IN EACH DIRECTION.
- ALL SIDE ROADS SHALL BE OPEN WITH ALL CURRENT LANES AVAILABLE THROUGH OUT THE SHUT DOWN.
- ALL SIDEWALKS AND BIKE LANES SHALL BE OPEN AND FREE OF OBSTRUCTIONS. IN PROGRESS WORK ADJACENT TO BIKE AND PEDESTRIAN FACILITIES SHALL BE REMOVED OR PROTECTED AS APPROVED BY THE ENGINEER.
- PAVED TEMPORARY SIDEWALK SHALL BE PLACED TO CONNECT NEW WORK WITH OLD TO PROVIDE CONTINUOUS PEDESTRIAN AND BIKE PATHS.
- RESTORE ALL TRAFFIC SIGNALS TO NORMAL OPERATION, OR AS DIRECTED BY THE ENGINEER PRIOR TO WINTER SHUT DOWN.
- ANY OPEN EXCAVATIONS SHALL BE SECURED AND PROTECTED.
- THE CONTRACTOR WILL BE RESPONSIBLE FOR TRAFFIC CONTROL MAINTENANCE AND SURVEILLANCE DURING WINTER SHUTDOWN (SEE SPECIAL PROVISIONS).
- OPEN THE NEWLY CONSTRUCTED ROADWAY SEGMENTS TO VEHICULAR TRAFFIC AFTER TRAFFIC CONTROL FOR SUBSEQUENT STAGING HAS BEEN INSTALLED.

© Copyright Hanson Professional Services Inc. 2016
HANSON
 Hanson Professional Services Inc.

LAYOUT	DLC	11/24/15
DRAWN	CLS	8/25/16
REVIEWED	MGD	8/26/16

FILE NAME = Z:\Plans\sheets\Project1\p1-sht-staging00a.dgn
 PLOT DATE = 8/25/2016 4:08:28 PM

DESIGNED - DLC
 DRAWN - CLS
 CHECKED - MGD
 DATE - 8/26/2016

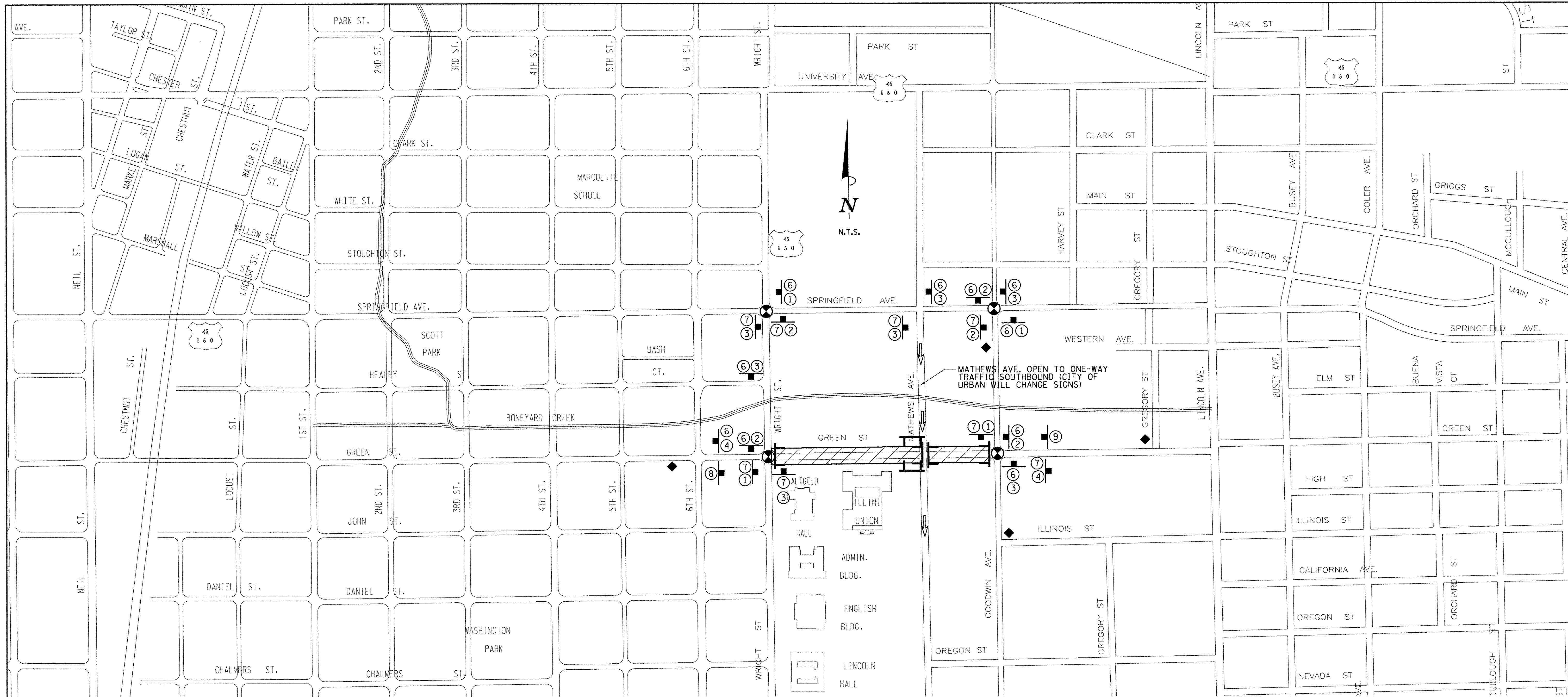
REVISED -
 REVISED -
 REVISED -
 REVISED -

STATE OF ILLINOIS
 DEPARTMENT OF TRANSPORTATION

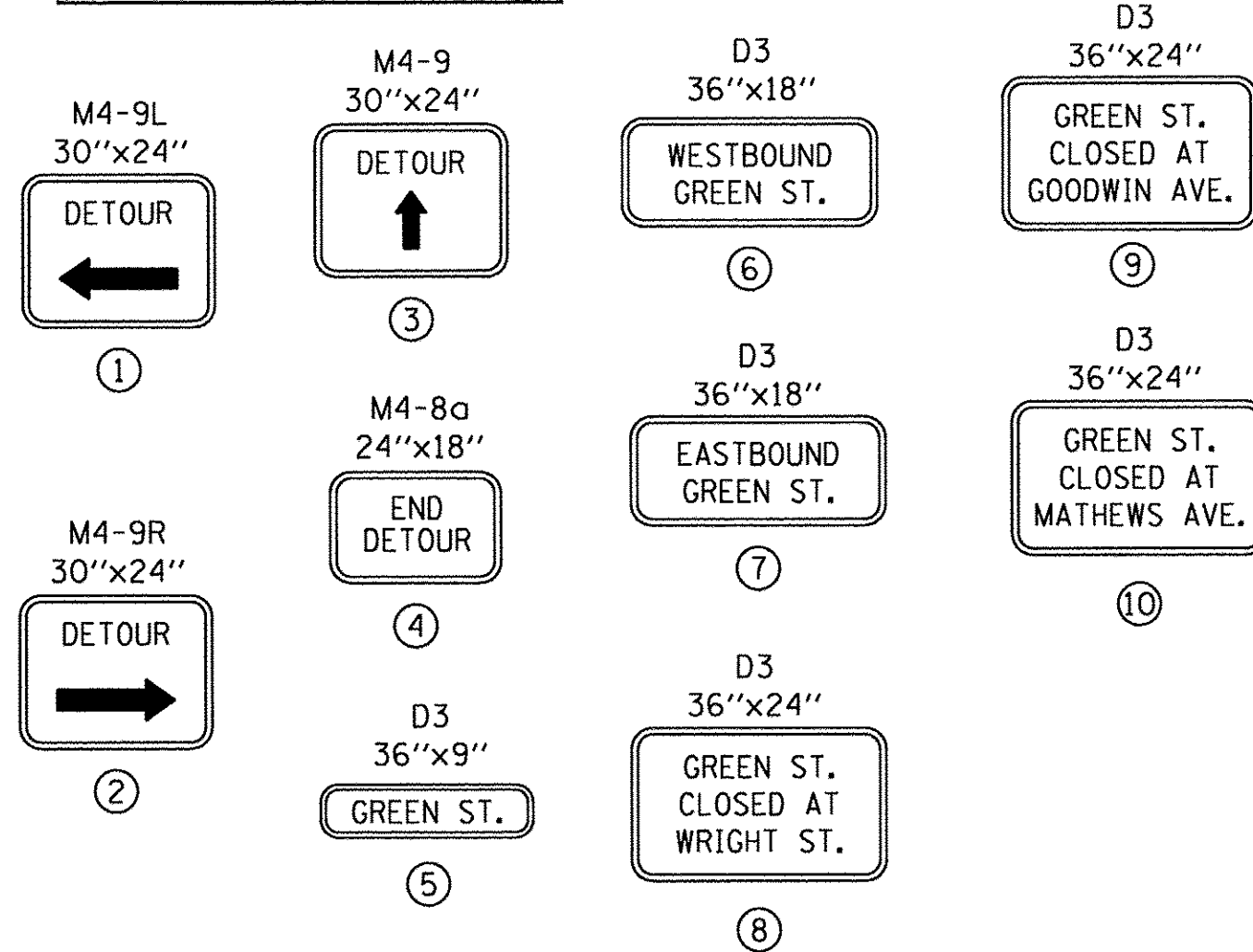
PROJECT 1 - GREEN STREET
 TRAFFIC CONTROL PLANS

SCALE: 1"=100' SHEET NO. OF SHEETS STA. TO STA.

F.A.U. RTE.	SECTION	COUNTY	TOTAL SHEETS	SHEET NO.
7126	15-00304-01-PV	CHAMPAIGN	236	148
MCORE PROJECT 1			CONTRACT NO. 91539	
JOB NO. C-95-305-16 ILLINOIS FED. AID PROJECT TIG-5181057				



DETOUR SIGN LEGEND



DETOUR PLAN LEGEND

- CONSTRUCTION WORK ZONE
- POST MOUNTED SIGN LOCATION
- TYPE III BARRICADE
- DETOUR SIGN NUMBER
- PORTABLE CHANGEABLE MESSAGE SIGN
- SIGNALIZED INTERSECTION WITHIN DETOUR LIMITS

LAYOUT	DLC	11/24/15
DRAWN	CLS	8/25/16
REVIEWED	MGD	8/26/16

FILE NAME = Z:\Plans\Sheets\Project1\P1-sht-staging01d.dgn
 PLOT DATE = 8/25/2016 4:08:39 PM

DESIGNED - DLC
 DRAWN - CLS
 CHECKED - MGD
 DATE - 8/26/2016

REVISED -
 REVISED -
 REVISED -
 REVISED -

STATE OF ILLINOIS
 DEPARTMENT OF TRANSPORTATION

PROJECT 1 - GREEN STREET
 STAGE 1 - DETOUR PLANS

SCALE: N/A SHEET NO. OF SHEETS STA. TO STA.

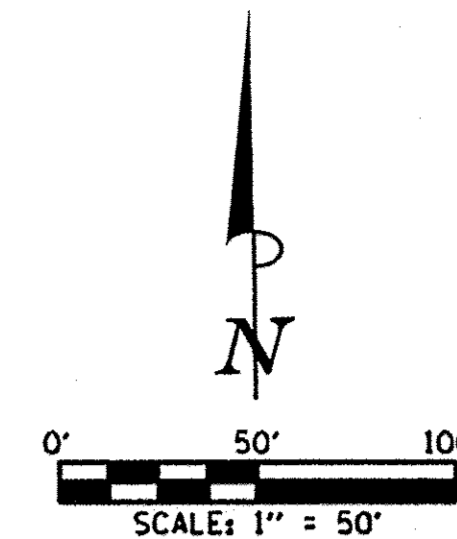
F.A.U. RTE.	SECTION	COUNTY	TOTAL SHEETS	SHEET NO.
7126	15-00304-01-PV	CHAMPAIGN	236	149
MCORE PROJECT 1			CONTRACT NO. 91539	
JOB NO. C-95-305-16 ILLINOIS FED. AID PROJECT TIG-5181(057)				

STAGE 1 KEY NOTES:

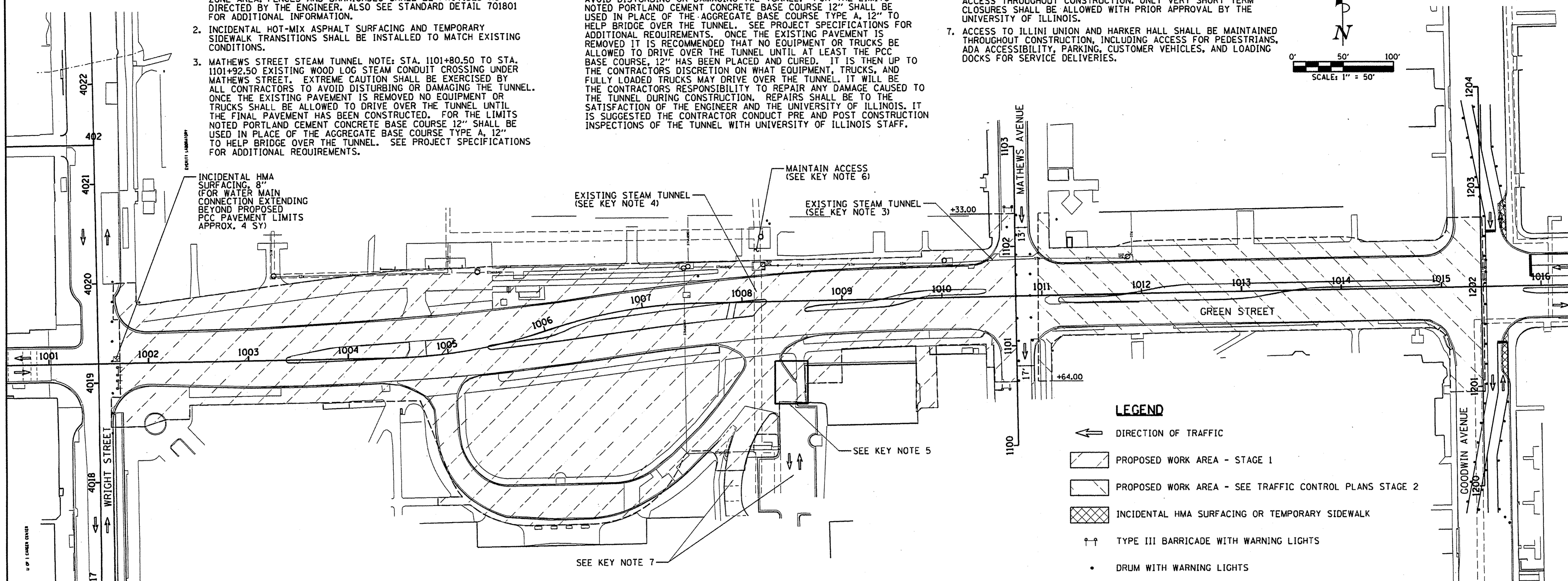
1. PEDESTRIAN ACCESS SHALL BE MAINTAINED ON ONE SIDE OF THE STREET AT ALL TIMES. SIGN LOCATIONS SHALL REFLECT CURRENT SIDEWALK CLOSURES TO DIRECT PEDESTRIANS THROUGH THE WORK ZONE AREA. FENCES AND BARRICADES SHALL BE PROVIDED AS DIRECTED BY THE ENGINEER. ALSO SEE STANDARD DETAIL 701801 FOR ADDITIONAL INFORMATION.
2. INCIDENTAL HOT-MIX ASPHALT SURFACING AND TEMPORARY SIDEWALK TRANSITIONS SHALL BE INSTALLED TO MATCH EXISTING CONDITIONS.
3. MATHEWS STREET STEAM TUNNEL NOTE: STA. 1101+80.50 TO STA. 1101+92.50 EXISTING WOOD LOG STEAM CONDUIT CROSSING UNDER MATHEWS STREET. EXTREME CAUTION SHALL BE EXERCISED BY ALL CONTRACTORS TO AVOID DISTURBING OR DAMAGING THE TUNNEL. ONCE THE EXISTING PAVEMENT IS REMOVED NO EQUIPMENT OR TRUCKS SHALL BE ALLOWED TO DRIVE OVER THE TUNNEL UNTIL THE FINAL PAVEMENT HAS BEEN CONSTRUCTED. FOR THE LIMITS NOTED PORTLAND CEMENT CONCRETE BASE COURSE 12" SHALL BE USED IN PLACE OF THE AGGREGATE BASE COURSE TYPE A, 12" TO HELP BRIDGE OVER THE TUNNEL. SEE PROJECT SPECIFICATIONS FOR ADDITIONAL REQUIREMENTS.

4. GREEN STREET STEAM TUNNEL NOTE: STA. 1008+00 TO STA. 1008+30 EXISTING BRICK STEAM TUNNEL CROSSING UNDER GREEN STREET. EXTREME CAUTION SHALL BE EXERCISED BY ALL CONTRACTORS TO AVOID DISTURBING OR DAMAGING THE TUNNEL. FOR THE LIMITS NOTED PORTLAND CEMENT CONCRETE BASE COURSE 12" SHALL BE USED IN PLACE OF THE AGGREGATE BASE COURSE TYPE A, 12" TO HELP BRIDGE OVER THE TUNNEL. SEE PROJECT SPECIFICATIONS FOR ADDITIONAL REQUIREMENTS. ONCE THE EXISTING PAVEMENT IS REMOVED IT IS RECOMMENDED THAT NO EQUIPMENT OR TRUCKS BE ALLOWED TO DRIVE OVER THE TUNNEL UNTIL AT LEAST THE PCC BASE COURSE, 12" HAS BEEN PLACED AND CURED. IT IS THEN UP TO THE CONTRACTORS DISCRETION ON WHAT EQUIPMENT, TRUCKS, AND FULLY LOADED TRUCKS MAY DRIVE OVER THE TUNNEL. IT WILL BE THE CONTRACTORS RESPONSIBILITY TO REPAIR ANY DAMAGE CAUSED TO THE TUNNEL DURING CONSTRUCTION. REPAIRS SHALL BE TO THE SATISFACTION OF THE ENGINEER AND THE UNIVERSITY OF ILLINOIS. IT IS SUGGESTED THE CONTRACTOR CONDUCT PRE AND POST CONSTRUCTION INSPECTIONS OF THE TUNNEL WITH UNIVERSITY OF ILLINOIS STAFF.

5. CONSTRUCTION OF THIS AREA SHALL BE LIMITED TO 1 WEEK.
6. ACCESS FROM GREEN STREET TO ENGINEERING HALL/MATERIAL SCIENCE SERVICE ENTRANCE SHALL BE STAGED TO MAINTAIN ACCESS THROUGHOUT CONSTRUCTION. ONLY VERY SHORT TERM CLOSURES SHALL BE ALLOWED WITH PRIOR APPROVAL BY THE UNIVERSITY OF ILLINOIS.
7. ACCESS TO ILLINI UNION AND HARKER HALL SHALL BE MAINTAINED THROUGHOUT CONSTRUCTION, INCLUDING ACCESS FOR PEDESTRIANS, ADA ACCESSIBILITY, PARKING, CUSTOMER VEHICLES, AND LOADING DOCKS FOR SERVICE DELIVERIES.



© Copyright Hanson Professional Services Inc. 2016
HANSON
 Hanson Professional Services Inc.



LEGEND

- ← DIRECTION OF TRAFFIC
- [Diagonal Hatching] PROPOSED WORK AREA - STAGE 1
- [Cross-hatching] PROPOSED WORK AREA - SEE TRAFFIC CONTROL PLANS STAGE 2
- [Dotted Hatching] INCIDENTAL HMA SURFACING OR TEMPORARY SIDEWALK
- ↑↑ TYPE III BARRICADE WITH WARNING LIGHTS
- DRUM WITH WARNING LIGHTS

STAGE 1 - REQUIREMENTS

STAGE 1 CONSTRUCTION LIMITS:
 GREEN ST. FROM STA. 1001+65.45 TO STA. 1011+16.20
 WORK ZONE SPEED LIMIT = 25 M.P.H.

1. INSTALL THE DETOUR SIGNING IN ACCORDANCE WITH DETAILS SHOWN IN TRAFFIC CONTROL PLANS AND APPLICABLE TRAFFIC CONTROL STANDARDS. VEHICULAR ACCESS TO AFFECTED PROPERTIES SHALL BE MAINTAINED AS DIRECTED BY THE ENGINEER.
2. WHEN ALLOWED BY SPECIAL PROVISIONS, CLOSE GREEN STREET TO ALL THRU TRAFFIC FROM WRIGHT STREET TO GOODWIN AVENUE. GREEN STREET WILL BE DETOURED IN ACCORDANCE WITH THE DETAILS SHOWN IN THE TRAFFIC CONTROL PLANS AND THE APPLICABLE PORTIONS OF STANDARD 701901.
3. INSTALL THE STORM SEWER, UNDERGROUND UTILITIES, AND CURB AND GUTTER WITHIN THE CONSTRUCTION LIMITS FOR THIS STAGE. TEMPORARILY PLUG PROPOSED STORM SEWER LATERALS THAT WILL BE COMPLETED IN SUBSEQUENT STAGES. TEMPORARY CAP PROPOSED CONDUITS THAT WILL BE COMPLETED IN SUBSEQUENT STAGES.
4. CONSTRUCT THE SIDEWALKS WITHIN THE CONSTRUCTION LIMITS FOR THIS STAGE. STAGE THE SIDEWALK CONSTRUCTION TO ALLOW PEDESTRIAN ACCESS AS DIRECTED BY THE ENGINEER AND COORDINATE PEDESTRIAN ACCESS THROUGH SIDE STREET BUILDING ENTRANCES. THE CONTRACTOR SHALL MAINTAIN PEDESTRIAN ACCESS ON EITHER SIDE OF GREEN STREET AT ALL TIMES IN ACCORDANCE WITH DETAILS SHOWN IN THE TRAFFIC CONTROL PLANS, THE MANUAL ON UNIFORM TRAFFIC CONTROL DEVICES (MUTCD), THE PROPOSED ACCESSIBILITY GUIDELINES FOR PEDESTRIAN FACILITIES IN THE RIGHT-OF-WAY (PROWAG), THE APPLICABLE PORTIONS OF STANDARD 701801, OR AS DIRECTED BY THE ENGINEER. TEMPORARY RAMPS AND LANDINGS SHALL BE INSTALLED TO ALLOW PEDESTRIAN ACCESS TO COMMERCIAL, UNIVERSITY, AND RESIDENTIAL FACILITIES WITHIN SIDEWALK CLOSURE AREAS. INSTALL TEMPORARY PCC SIDEWALKS AT UTILITY CROSSING LOCATIONS OR OTHER AREAS TO ACCOMMODATE CONSTRUCTION OF PROPOSED UTILITIES AS DIRECTED BY THE ENGINEER. INSTALL TEMPORARY PCC SIDEWALK TRANSITIONS TO MATCH EXISTING SIDEWALKS OUTSIDE OF THE WORK ZONE AREA AS DIRECTED BY THE ENGINEER.
5. ONE-WAY SOUTHBOUND TRAFFIC SHALL BE MAINTAINED ON MATHEWS AVE. CITY OF URBANA WILL CHANGE EXISTING SIGNS. TWO-WAY TRAFFIC SHALL BE MAINTAINED ON WRIGHT ST. AND GOODWIN AVE. (SEE STAGE 2 FOR TEMPORARY WIDENING.)
6. A DAILY RENTAL FEE WILL APPLY PER PARKING METER AT THE ILLINI UNION IF THE COMPLETION DATE IS NOT MET.

DESIGNED	DLC	11/24/15
DRAWN	CLS	8/25/16
CHECKED	MGD	8/26/16
REVIEWED		

FILE NAME =
 Z:\Plans\sheets\Project1\PI-sht-staging01t.dgn
 PLOT DATE =
 9/22/2016 2:02:15 PM

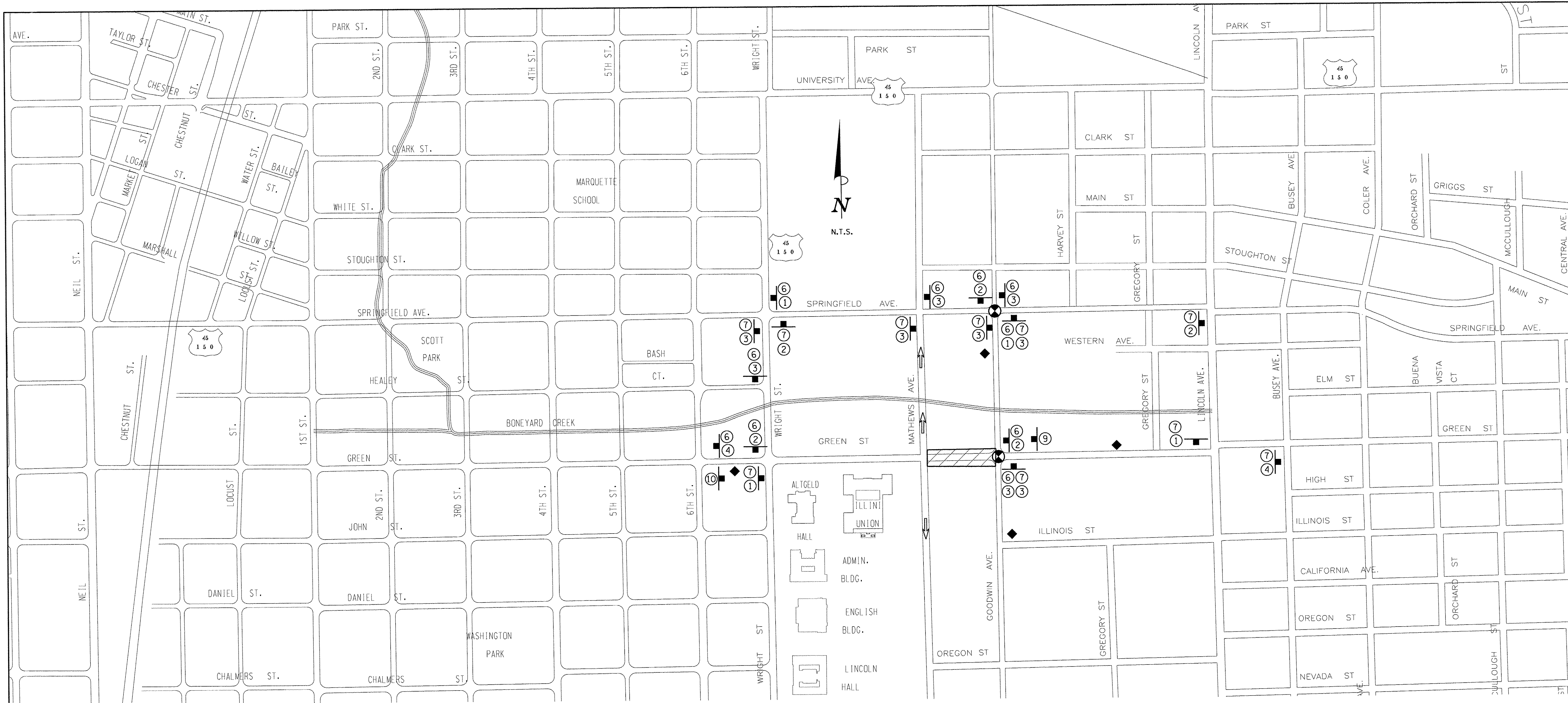
DESIGNED	-	DLC	REVISED	-
DRAWN	-	CLS	REVISED	-
CHECKED	-	MGD	REVISED	-
DATE	-	8/26/2016	REVISED	-

STATE OF ILLINOIS
 DEPARTMENT OF TRANSPORTATION

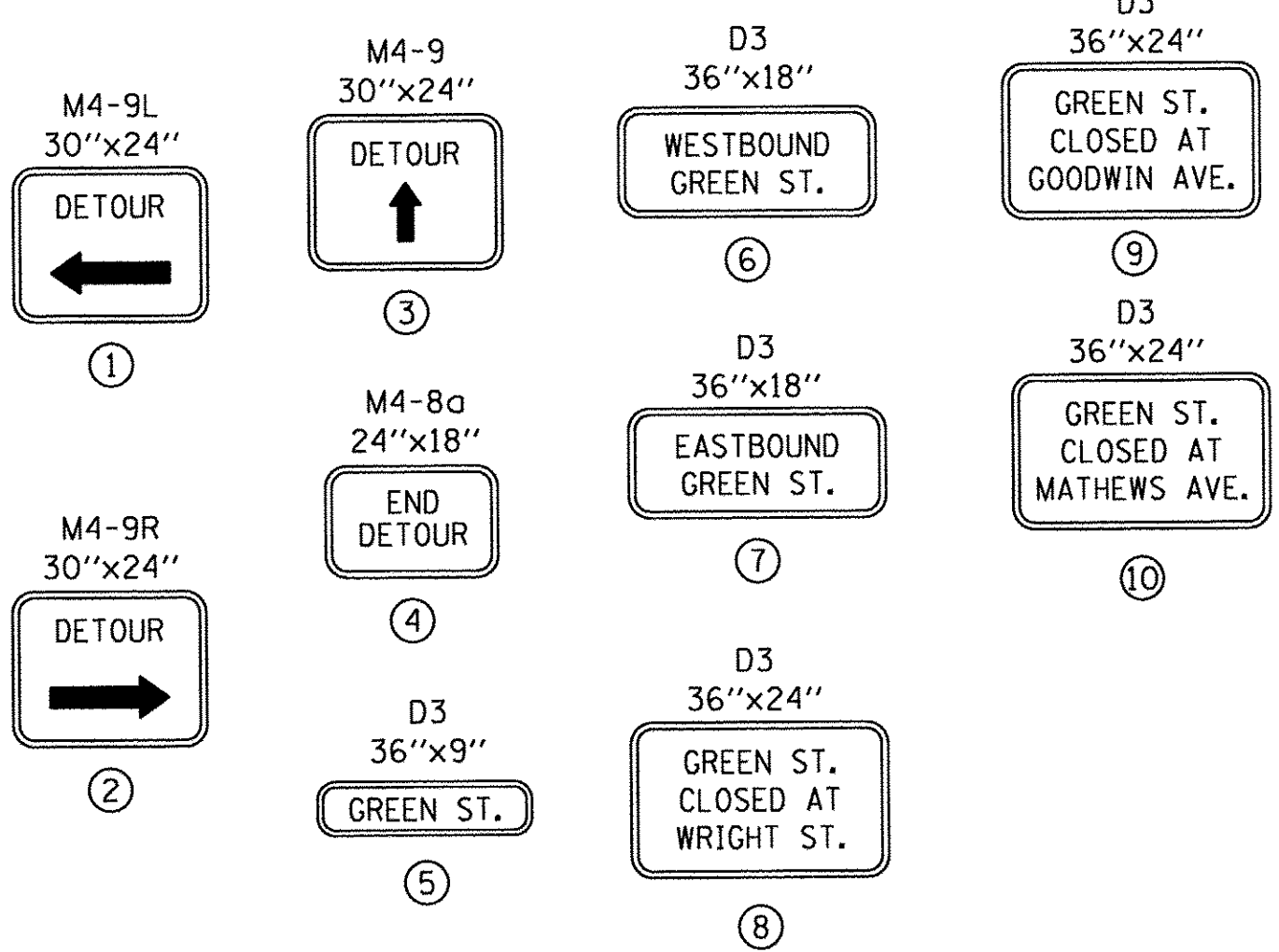
PROJECT 1 - GREEN STREET STAGE 1 - TRAFFIC CONTROL PLANS

SCALE: 1"=50' SHEET NO. OF SHEETS STA. TO STA.

F.A.U. RTE.	SECTION	COUNTY	TOTAL SHEETS	SHEET NO.
7126	15-00304-01-PV	CHAMPAIGN	236	150
MCCORE PROJECT 1		CONTRACT NO. 91539		
JOB NO. C-95-305-16		ILLINOIS FED. AID PROJECT TIG-51810371		



DETOUR SIGN LEGEND



DETOUR PLAN LEGEND

- CONSTRUCTION WORK ZONE
- POST MOUNTED SIGN LOCATION
- TYPE III BARRICADE
- DETOUR SIGN NUMBER
- PORTABLE CHANGEABLE MESSAGE SIGN
- SIGNALIZED INTERSECTION WITHIN DETOUR LIMITS

DESIGNED	DLC	11/24/15
DRAWN	CLS	8/25/16
CHECKED	MGD	8/26/16

FILE NAME = Z:\Plans\Sheets\Project1\P1-sht-staging02d.dgn
 PLOT DATE = 8/25/2016 4:09:31 PM

DESIGNED	-	DLC	REVISED	-
DRAWN	-	CLS	REVISED	-
CHECKED	-	MGD	REVISED	-
DATE	-	8/26/2016	REVISED	-

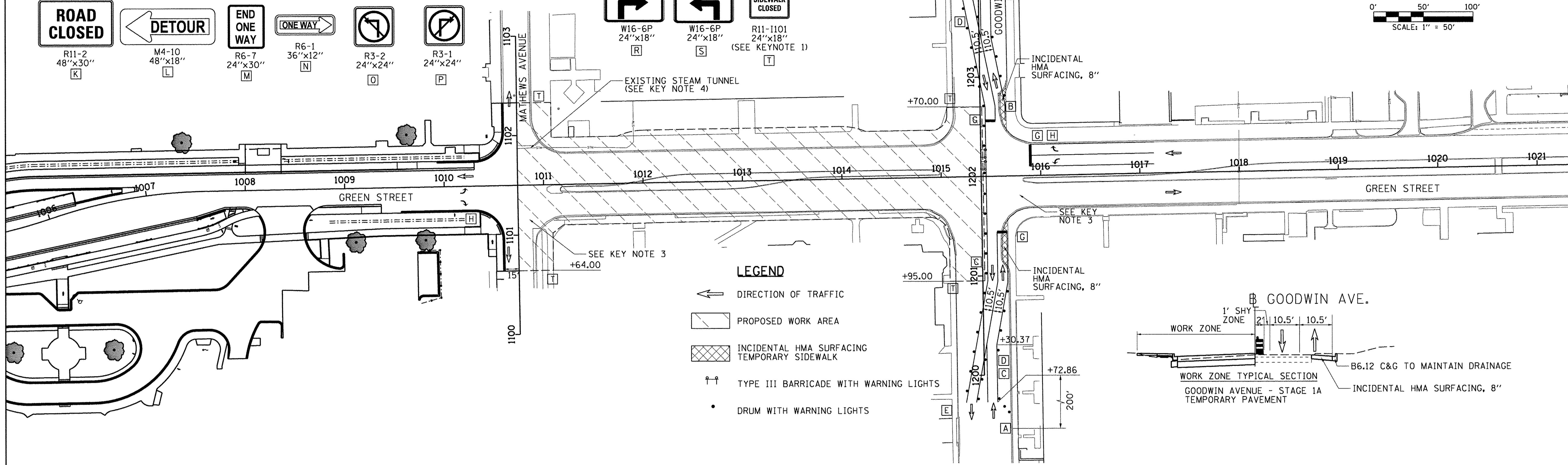
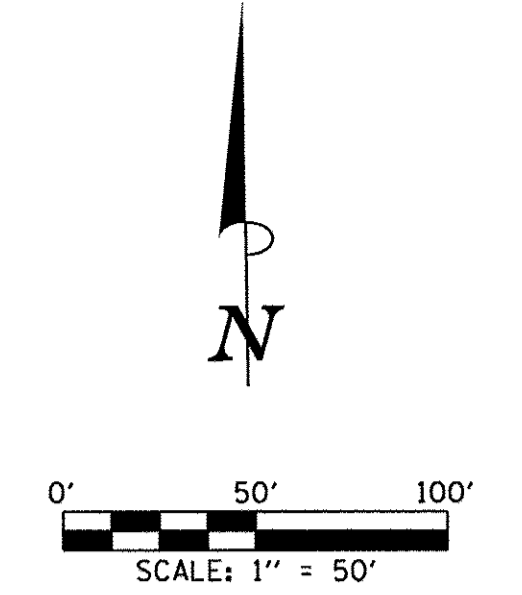
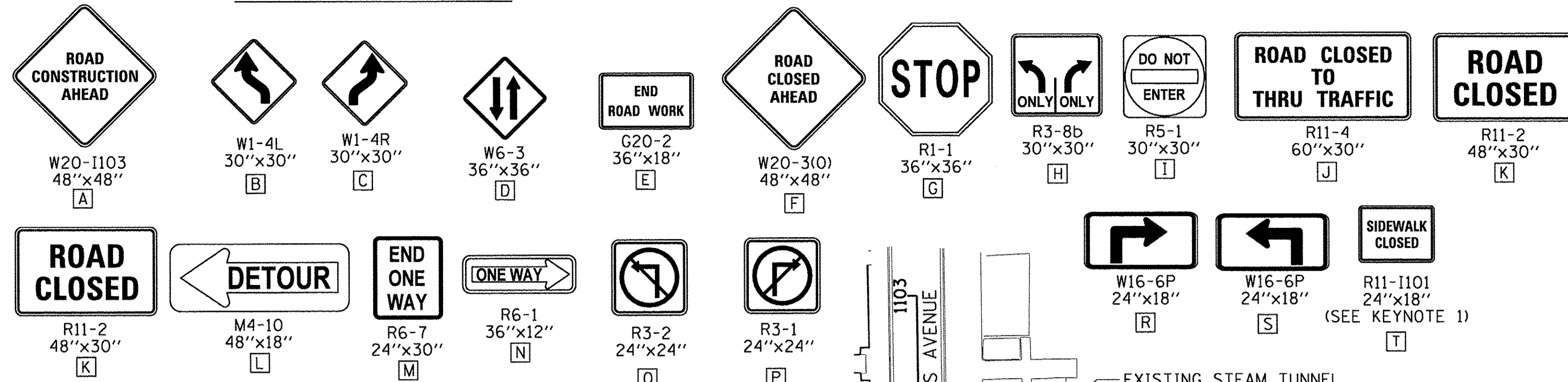
STATE OF ILLINOIS
 DEPARTMENT OF TRANSPORTATION

**PROJECT 1 - GREEN STREET
 STAGE 2 - DETOUR PLAN**

SCALE: N/A SHEET NO. OF SHEETS STA. TO STA.

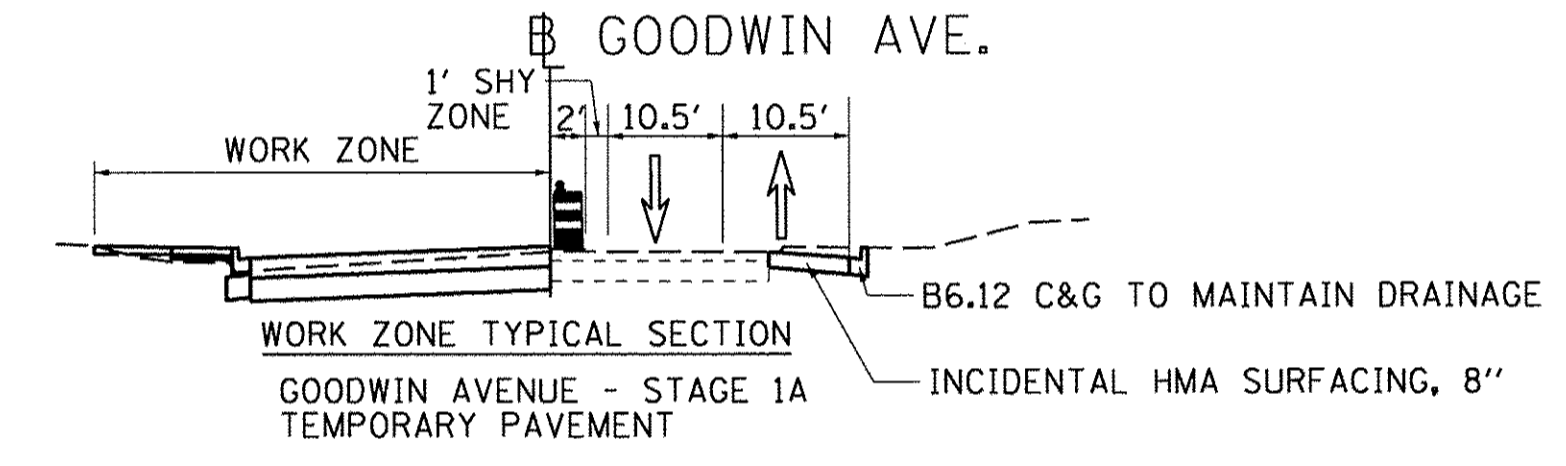
F.A.U. RTE.	SECTION	COUNTY	TOTAL SHEETS	SHEET NO.
7126	15-00304-01-PV	CHAMPAIGN	236	151
MCORE PROJECT 1		CONTRACT NO. 91539		
JOB NO. C-95-305-16 ILLINOIS FED. AID PROJECT TIG-5181(057)				

TRAFFIC CONTROL SIGN LEGEND



LEGEND

- ← DIRECTION OF TRAFFIC
- [Hatched Box] PROPOSED WORK AREA
- [Cross-hatched Box] INCIDENTAL HMA SURFACING TEMPORARY SIDEWALK
- ↑↑ TYPE III BARRICADE WITH WARNING LIGHTS
- DRUM WITH WARNING LIGHTS



SEQUENCE OF CONSTRUCTION - STAGE 2

STAGE 2 CONSTRUCTION LIMITS:
 GREEN ST. FROM STA. 1011+16.20 TO STA. 1015+42.02
 WORK ZONE SPEED LIMIT = 25 M.P.H.

1. INSTALL THE DETOUR SIGNING IN ACCORDANCE WITH DETAILS SHOWN IN TRAFFIC CONTROL PLANS AND APPLICABLE TRAFFIC CONTROL STANDARDS. VEHICULAR ACCESS TO AFFECTED PROPERTIES SHALL BE MAINTAINED AS DIRECTED BY THE ENGINEER.
2. CLOSE GREEN STREET FROM MATHEWS AVE. TO GOODWIN AVE. AS ALLOWED BY THE SPECIAL PROVISIONS. SHIFT SOUTHBOUND GOODWIN AVENUE TO THE EAST SIDE OF GOODWIN AVENUE IN ACCORDANCE WITH THE DETAILS SHOWN IN THE TRAFFIC CONTROL PLANS AND THE APPLICABLE PORTIONS OF STANDARD 701502.
3. INSTALL THE STORM SEWER, UNDERGROUND UTILITIES, AND CURB AND GUTTER WITHIN THE CONSTRUCTION LIMITS FOR THIS STAGE. TEMPORARILY PLUG PROPOSED STORM SEWER LATERALS THAT WILL BE COMPLETED IN SUBSEQUENT STAGES. TEMPORARY CAP PROPOSED CONDUITS THAT WILL BE COMPLETED IN SUBSEQUENT STAGES.
4. CONSTRUCT THE SIDEWALKS WITHIN THE CONSTRUCTION LIMITS FOR THIS STAGE. STAGE THE SIDEWALK CONSTRUCTION TO ALLOW PEDESTRIAN ACCESS AS DIRECTED BY THE ENGINEER AND COORDINATE PEDESTRIAN ACCESS THROUGH SIDE STREET BUILDING ENTRANCES. THE CONTRACTOR SHALL MAINTAIN PEDESTRIAN ACCESS ON EITHER SIDE OF GREEN STREET AND GOODWIN AVENUE AT ALL TIMES IN ACCORDANCE WITH DETAILS SHOWN IN THE TRAFFIC CONTROL PLANS, THE MANUAL ON UNIFORM TRAFFIC CONTROL DEVICES (MUTCD), THE PROPOSED ACCESSIBILITY GUIDELINES FOR PEDESTRIAN FACILITIES IN THE RIGHT-OF-WAY (PROWAG), THE APPLICABLE PORTIONS OF STANDARD 701801, OR AS DIRECTED BY THE ENGINEER. TEMPORARY RAMPS AND LANDINGS SHALL BE INSTALLED TO ALLOW PEDESTRIAN ACCESS TO UNIVERSITY, COMMERCIAL, AND RESIDENTIAL FACILITIES WITHIN SIDEWALK CLOSURE AREAS. INSTALL TEMPORARY PCC SIDEWALKS AT UTILITY CROSSING LOCATIONS OR OTHER AREAS TO ACCOMMODATE CONSTRUCTION OF PROPOSED UTILITIES AS DIRECTED BY THE ENGINEER. INSTALL TEMPORARY PCC SIDEWALK TRANSITIONS TO MATCH EXISTING SIDEWALKS OUTSIDE OF THE WORK ZONE AREA AS DIRECTED BY THE ENGINEER.
5. CONSTRUCT THE PCC PAVEMENT WITHIN THE CONSTRUCTION LIMITS FOR THIS STAGE. INSTALL TEMPORARY PAVEMENT TRANSITIONS TO MATCH THE EXISTING PAVEMENT PRIOR TO THE WINTER SHUT DOWN AS DIRECTED BY THE ENGINEER.
6. DURING THE ILLINOIS MARATHON A MINIMUM OF 20 FEET OF PAVEMENT SHALL BE OPEN AND CLEAR ON THE EAST BOUND SIDE OF THE ROADWAY. NO WORK WILL BE ALLOWED DURING THE RACE AND THE WORK ZONE SHALL BE SECURED. SEE SPECIFICATIONS FOR DATES.

STAGE 2 KEY NOTES:

1. PEDESTRIAN ACCESS SHALL BE MAINTAINED ON ONE SIDE OF THE STREET AT ALL TIMES. SIGN LOCATION SHALL REFLECT CURRENT SIDEWALK CLOSURES TO DIRECT PEDESTRIANS THROUGH THE WORK ZONE AREA. FENCES AND BARRICADES SHALL BE PROVIDED AS DIRECTED BY THE ENGINEER. ALSO SEE STANDARD DETAIL 701801 FOR ADDITIONAL INFORMATION.
2. INCIDENTAL HOT-MIX ASPHALT SURFACING AND TEMPORARY SIDEWALK TRANSITIONS SHALL BE INSTALLED TO MATCH EXISTING CONDITIONS.
3. CONTRACTOR WILL BE ALLOWED TO CLOSE MATHEWS AVENUE FOR A LIMITED DURATION AS APPROVED BY THE ENGINEER TO CONSTRUCT PROPOSED WATERMAIN. CLOSURE SHALL BE LIMITED TO A WEEKEND STARTING ON FRIDAY AT 7P AND REOPENING BY 5A MONDAY WITH NIGHTTIME CONSTRUCTION ALLOWED. ADVANCE NOTIFICATION SHALL BE PROVIDED TO UIUC, MTD, AND THE PUBLIC. IF CONTRACTOR IS UNABLE TO FINISH WATERMAIN CROSSING OVER THE WEEKEND, CONTRACTOR SHALL PROVIDE TEMPORARY SHORING, BACKFILL ABOVE CASE PIPE, PATCHING, AND OPEN ROAD TO ONE (1) LANE OF TRAFFIC. CONTRACTOR SHALL THEN CONTINUE WORK FROM EITHER SIDE IN EXCAVATED PITTS.
4. MATHEWS AVENUE STEAM TUNNEL NOTE: STA. 1101+80.50 TO STA. 1101+92.50 EXISTING WOOD LOG STEAM CONDUIT CROSSING UNDER MATHEWS STREET. EXTREME CAUTION SHALL BE EXERCISED BY ALL CONTRACTORS TO AVOID DISTURBING OR DAMAGING THE TUNNEL. ONCE THE EXISTING PAVEMENT IS REMOVED NO EQUIPMENT OR TRUCKS SHALL BE ALLOWED TO DRIVE OVER THE TUNNEL UNTIL THE FINAL PAVEMENT HAS BEEN CONSTRUCTED. FOR THE LIMITS NOTED PORTLAND CEMENT CONCRETE BASE COURSE 12" SHALL BE USED IN PLACE OF THE AGGREGATE BASE COURSE TYPE A, 12" TO HELP BRIDGE OVER THE TUNNEL. SEE PROJECT SPECIFICATIONS FOR ADDITIONAL REQUIREMENTS.
5. THE CONTRACTOR WILL BE RESPONSIBLE FOR TRAFFIC CONTROL MAINTENANCE AND SURVEILLANCE DURING WINTER SHUTDOWN.

© Copyright Hanson Professional Services Inc. 2016
HANSON
 Hanson Professional Services Inc.

LAYOUT	11/24/15
D.C.	8/25/16
C.S.	8/26/16
REVIEWED	MGD

FILE NAME = Z:\Plans\Sheets\Project1\1P1-sht-staging02t.dgn
 PLOT DATE = 8/25/2016 4:10:26 PM

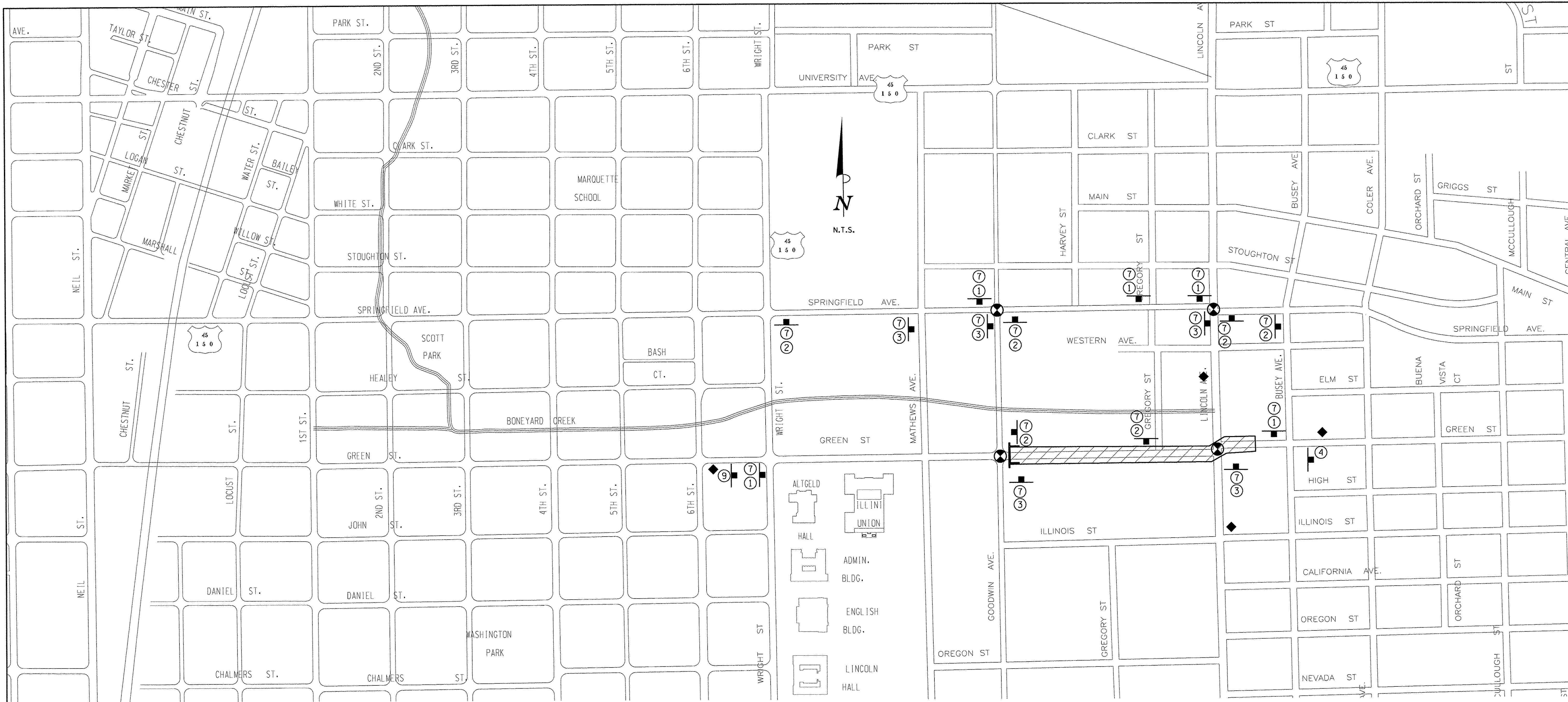
DESIGNED -	DLC	REVISED -	
DRAWN -	CLS	REVISED -	
CHECKED -	MGD	REVISED -	
DATE -	8/26/2016	REVISED -	

STATE OF ILLINOIS
 DEPARTMENT OF TRANSPORTATION

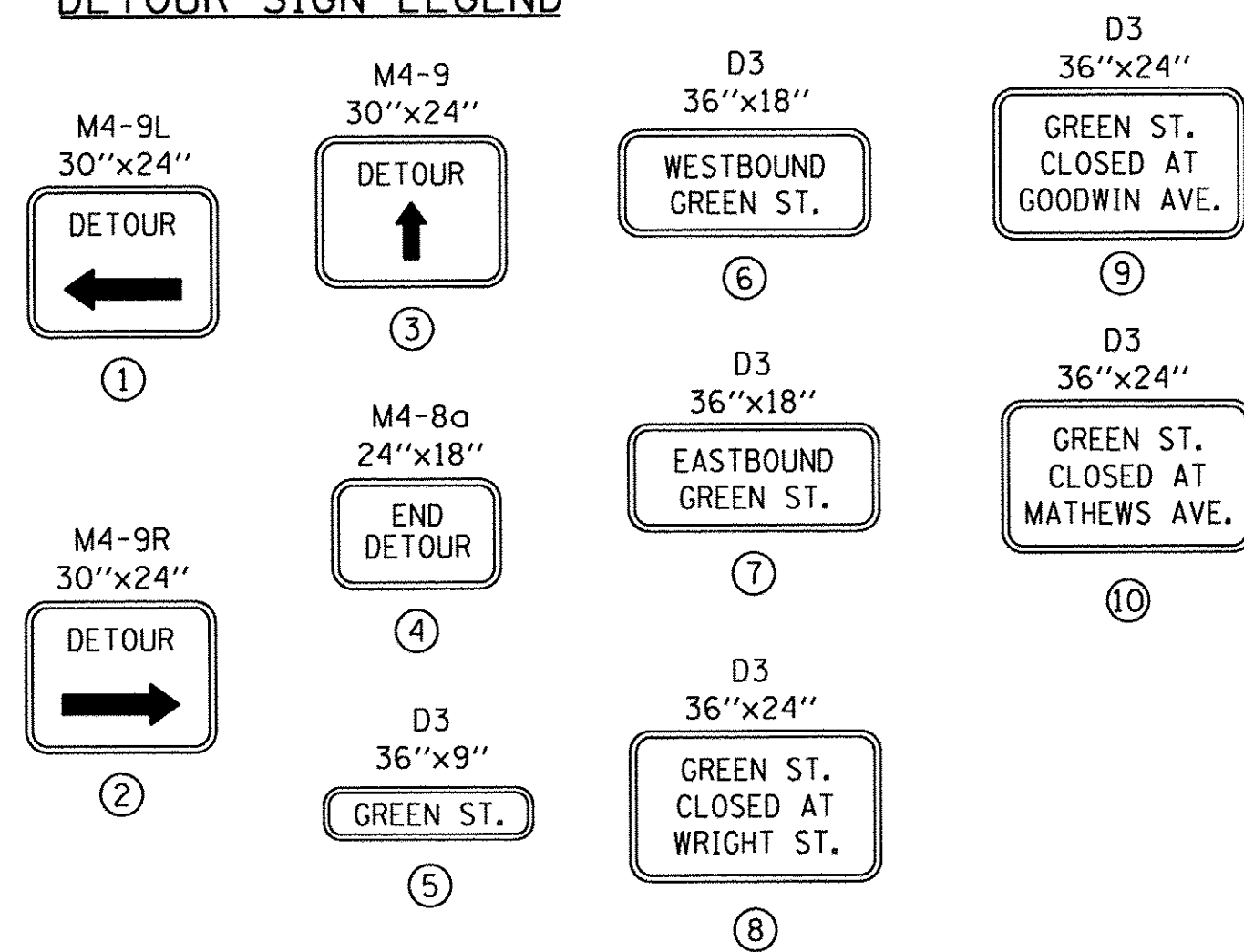
PROJECT 1 - GREEN STREET
 STAGE 2 - TRAFFIC CONTROL PLANS

SCALE: 1"=50' SHEET NO. OF SHEETS STA. TO STA.

F.A.U. RTE.	SECTION	COUNTY	TOTAL SHEETS	SHEET NO.
7126	15-00304-01-PV	CHAMPAIGN	236	152
MCORE PROJECT 1			CONTRACT NO. 91539	
JOB NO. C-95-305-16 ILLINOIS FED. AID PROJECT TIG-51810571				



DETOUR SIGN LEGEND



DETOUR PLAN LEGEND

- CONSTRUCTION WORK ZONE
- POST MOUNTED SIGN LOCATION
- TYPE III BARRICADE
- DETOUR SIGN NUMBER
- PORTABLE CHANGEABLE MESSAGE SIGN
- SIGNALIZED INTERSECTION WITHIN DETOUR LIMITS

LAYOUT	DLC	11/24/15
DRAWN	CLS	8/25/16
REVIEWED	MGD	8/26/16

FILE NAME = Z:\Plans\Sheets\Project1\P1-sht-staging03d.dgn
 PLOT DATE = 8/25/2016 4:10:36 PM

DESIGNED - DLC	REVISED -
DRAWN - CLS	REVISED -
CHECKED - MGD	REVISED -
DATE - 8/26/2016	REVISED -

STATE OF ILLINOIS
 DEPARTMENT OF TRANSPORTATION

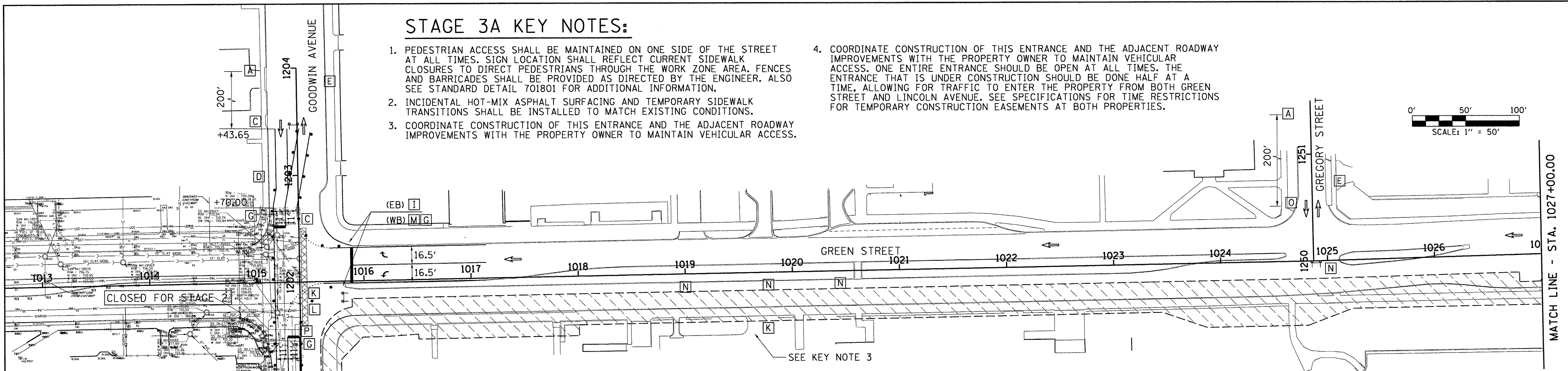
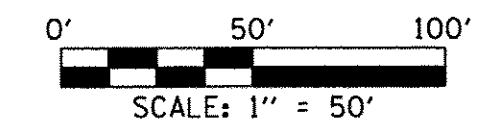
**PROJECT 1 - GREEN STREET
 STAGE 3A/3B - DETOUR PLAN**

SCALE: N/A SHEET NO. OF SHEETS STA. TO STA.

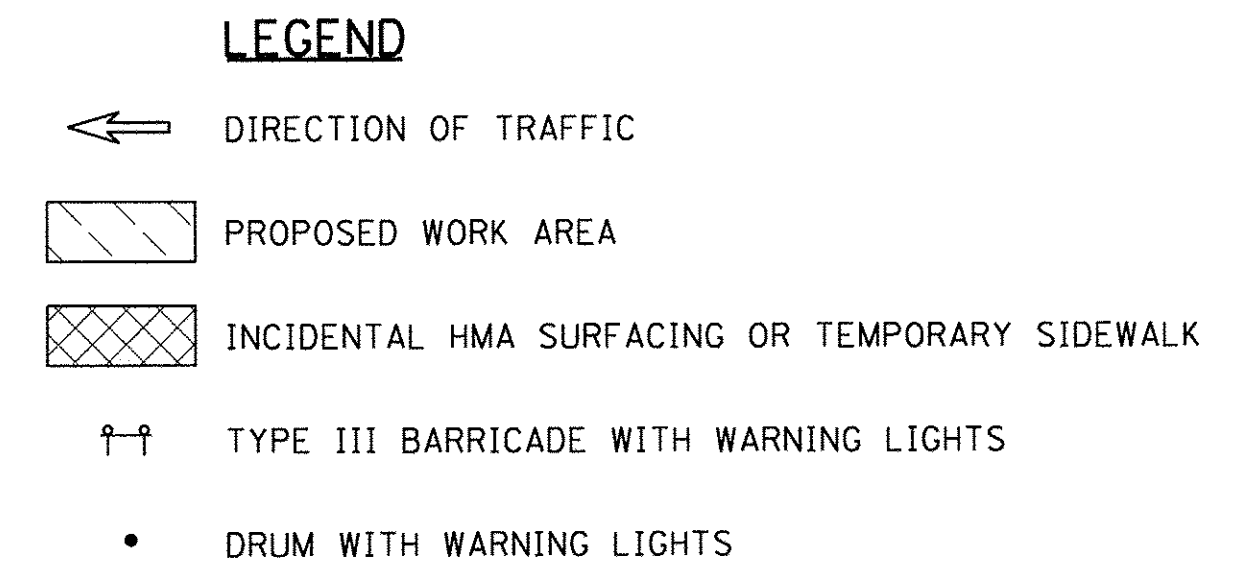
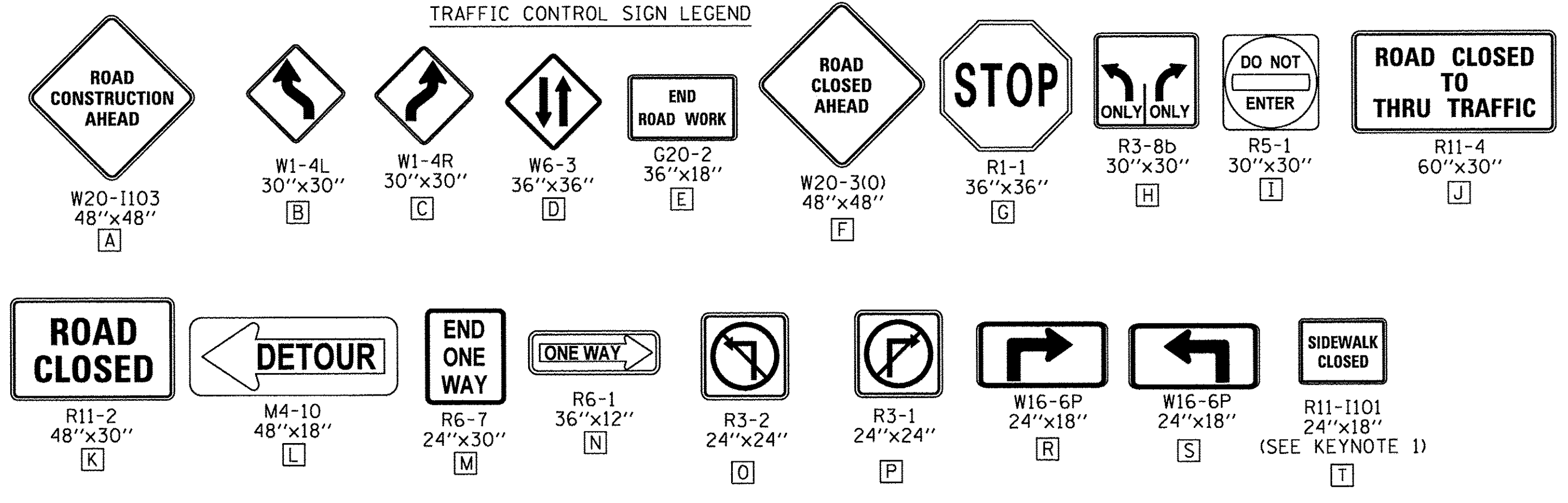
F.A.U. RTE.	SECTION	COUNTY	TOTAL SHEETS	SHEET NO.
7126	15-00304-01-PV	CHAMPAIGN	236	153
MCORE PROJECT 1		CONTRACT NO. 91539		
JOB NO. C-95-305-16 ILLINOIS FED. AID PROJECT TIG-5181(057)				

STAGE 3A KEY NOTES:

1. PEDESTRIAN ACCESS SHALL BE MAINTAINED ON ONE SIDE OF THE STREET AT ALL TIMES. SIGN LOCATION SHALL REFLECT CURRENT SIDEWALK CLOSURES TO DIRECT PEDESTRIANS THROUGH THE WORK ZONE AREA. FENCES AND BARRICADES SHALL BE PROVIDED AS DIRECTED BY THE ENGINEER. ALSO SEE STANDARD DETAIL 701801 FOR ADDITIONAL INFORMATION.
2. INCIDENTAL HOT-MIX ASPHALT SURFACING AND TEMPORARY SIDEWALK TRANSITIONS SHALL BE INSTALLED TO MATCH EXISTING CONDITIONS.
3. COORDINATE CONSTRUCTION OF THIS ENTRANCE AND THE ADJACENT ROADWAY IMPROVEMENTS WITH THE PROPERTY OWNER TO MAINTAIN VEHICULAR ACCESS.
4. COORDINATE CONSTRUCTION OF THIS ENTRANCE AND THE ADJACENT ROADWAY IMPROVEMENTS WITH THE PROPERTY OWNER TO MAINTAIN VEHICULAR ACCESS. ONE ENTIRE ENTRANCE SHOULD BE OPEN AT ALL TIMES. THE ENTRANCE THAT IS UNDER CONSTRUCTION SHOULD BE DONE HALF AT A TIME, ALLOWING FOR TRAFFIC TO ENTER THE PROPERTY FROM BOTH GREEN STREET AND LINCOLN AVENUE. SEE SPECIFICATIONS FOR TIME RESTRICTIONS FOR TEMPORARY CONSTRUCTION EASEMENTS AT BOTH PROPERTIES.



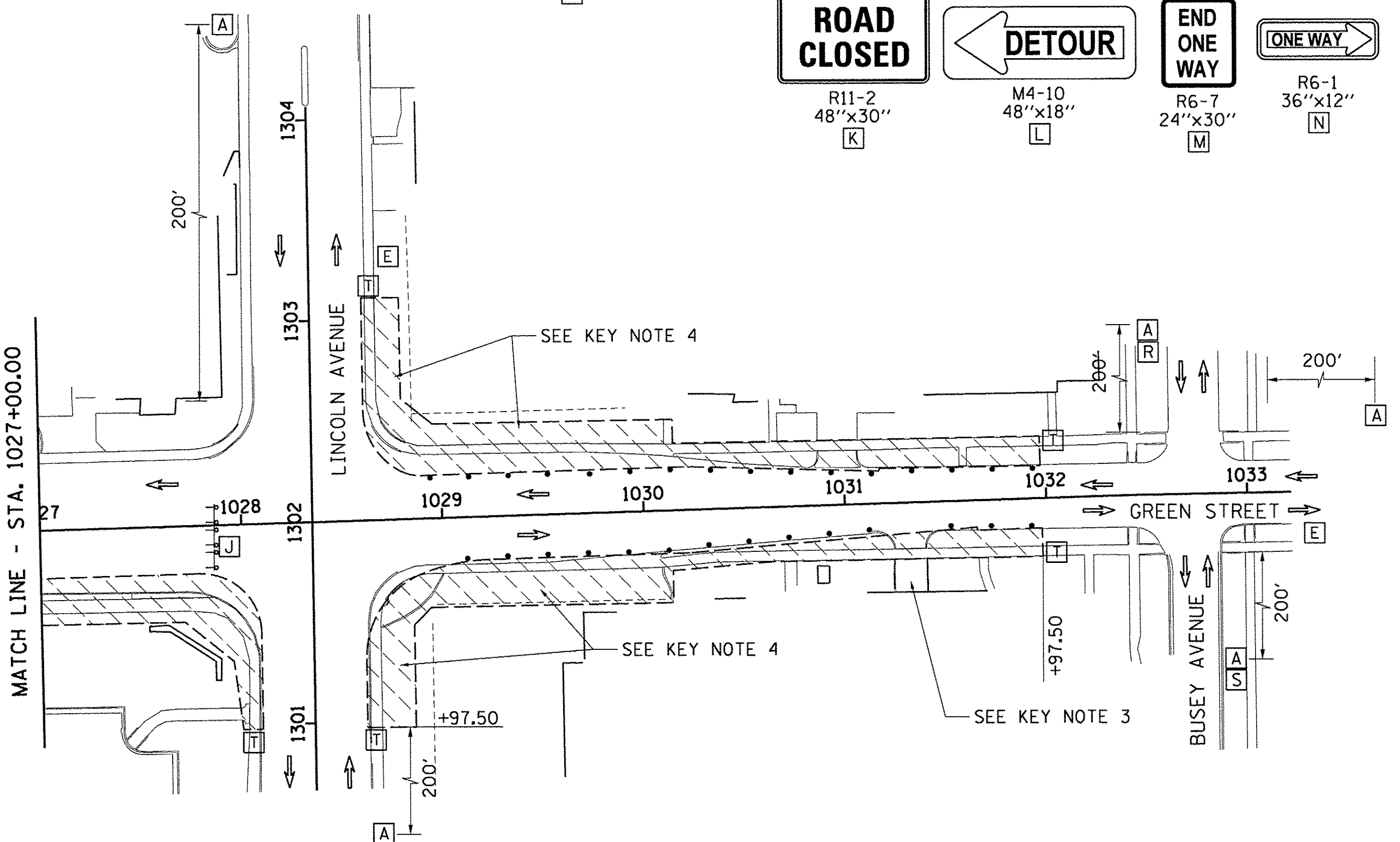
TRAFFIC CONTROL SIGN LEGEND



SEQUENCE OF CONSTRUCTION - STAGE 3A

STAGE 3A CONSTRUCTION LIMITS:
 GREEN ST. FROM STA. 1015+42.02 TO STA. 1031+97.50
 WORK ZONE SPEED LIMIT = 25 M.P.H.

1. INSTALL THE DETOUR SIGNING IN ACCORDANCE WITH DETAILS SHOWN IN TRAFFIC CONTROL PLANS AND APPLICABLE TRAFFIC CONTROL STANDARDS. VEHICULAR ACCESS TO AFFECTED PROPERTIES SHALL BE MAINTAINED AS DIRECTED BY THE ENGINEER.
2. CLOSE THE SOUTH HALF OF GREEN STREET TO ALL TRAFFIC FROM STA. 1015+42.02 TO STA. 1031+97.50 AS ALLOWED BY SPECIFICATIONS. EASTBOUND GREEN STREET WILL BE DETOURED IN ACCORDANCE WITH THE DETAILS SHOWN IN THE TRAFFIC CONTROL PLANS AND THE APPLICABLE PORTIONS OF STANDARD 701901. NORTHBOUND GOODWIN AVENUE WILL BE SHIFTED TO THE SOUTHBOUND LANES IN ACCORDANCE WITH THE DETAILS SHOWN IN THE TRAFFIC CONTROL PLANS STANDARD 701701.
3. LINCOLN AVENUE SHALL REMAIN OPEN TO TWO-WAY TRAFFIC. ONCE MILLING BEGINS, TEMPORARY RAMPS SHALL BE USED TO ALLOW FOR TRAFFIC TO CONTINUE THROUGH THE INTERSECTION AS DIRECTED BY THE ENGINEER. TRAFFIC SIGNALS TO REMAIN IN USE UNLESS OTHERWISE APPROVED/DIRECTED BY THE ENGINEER.
4. REMOVE THE EXISTING PAVEMENT AND CURB AND GUTTER WITHIN THE CONSTRUCTION LIMITS FOR THIS STAGE.
5. INSTALL THE STORM SEWER, UNDERGROUND UTILITIES, BUS PLATFORM, AND CURB AND GUTTER WITHIN THE CONSTRUCTION LIMITS FOR THIS STAGE. TEMPORARILY PLUG PROPOSED STORM SEWER LATERALS THAT WILL BE COMPLETED IN SUBSEQUENT STAGES.
6. CONSTRUCT THE PCC PAVEMENT WITHIN THE CONSTRUCTION LIMITS FOR THIS STAGE. INSTALL TEMPORARY PAVEMENT TRANSITIONS TO MATCH THE EXISTING PAVEMENT AT THE EAST AND WEST ENDS OF THE WORK ZONE AS DIRECTED BY THE ENGINEER.
7. CONSTRUCT THE SIDEWALKS WITHIN THE CONSTRUCTION LIMITS FOR THIS STAGE. STAGE THE SIDEWALK CONSTRUCTION TO ALLOW PEDESTRIAN ACCESS AS DIRECTED BY THE ENGINEER AND COORDINATE PEDESTRIAN ACCESS THROUGH SIDE STREET BUILDING ENTRANCES. THE CONTRACTOR SHALL MAINTAIN PEDESTRIAN ACCESS ON EITHER SIDE OF GREEN STREET AT ALL TIMES IN ACCORDANCE WITH DETAILS SHOWN IN THE TRAFFIC CONTROL PLANS, THE MANUAL ON UNIFORM TRAFFIC CONTROL DEVICES (MUTCD), THE PROPOSED ACCESSIBILITY GUIDELINES FOR PEDESTRIAN FACILITIES IN THE RIGHT-OF-WAY (PROWAG), THE APPLICABLE PORTIONS OF STANDARD 701801, OR AS DIRECTED BY THE ENGINEER. TEMPORARY RAMPS AND LANDINGS SHALL BE INSTALLED TO ALLOW PEDESTRIAN ACCESS TO UNIVERSITY, COMMERCIAL, AND RESIDENTIAL FACILITIES WITHIN SIDEWALK CLOSURE AREAS. INSTALL TEMPORARY PCC SIDEWALKS AT UTILITY CROSSING LOCATIONS OR OTHER AREAS TO ACCOMMODATE CONSTRUCTION OF PROPOSED UTILITIES AS DIRECTED BY THE ENGINEER. INSTALL TEMPORARY PCC SIDEWALK TRANSITIONS TO MATCH EXISTING SIDEWALKS OUTSIDE OF THE WORK ZONE AREA AS DIRECTED BY THE ENGINEER.
8. INSTALL ELECTRICAL EQUIPMENT AND CONSTRUCT STREETScape ITEMS AND OTHER REMAINING IMPROVEMENTS WITHIN THE CONSTRUCTION LIMITS FOR THIS STAGE.



© Copyright Hanson Professional Services, Inc. 2016
HANSON
 Hanson Professional Services Inc.

LAYOUT	DLC	11/24/15
DRAWN	CLS	8/25/16
REVIEWED	MGD	8/26/16

FILE NAME =	Z:\Plans\Sheets\Project1\P1-sht-staging09at.dgn
PLOT DATE =	8/25/2016 4:11:18 PM

DESIGNED -	DLC	REVISED -	
DRAWN -	CLS	REVISED -	
CHECKED -	MGD	REVISED -	
DATE -	8/26/2016	REVISED -	

STATE OF ILLINOIS
 DEPARTMENT OF TRANSPORTATION

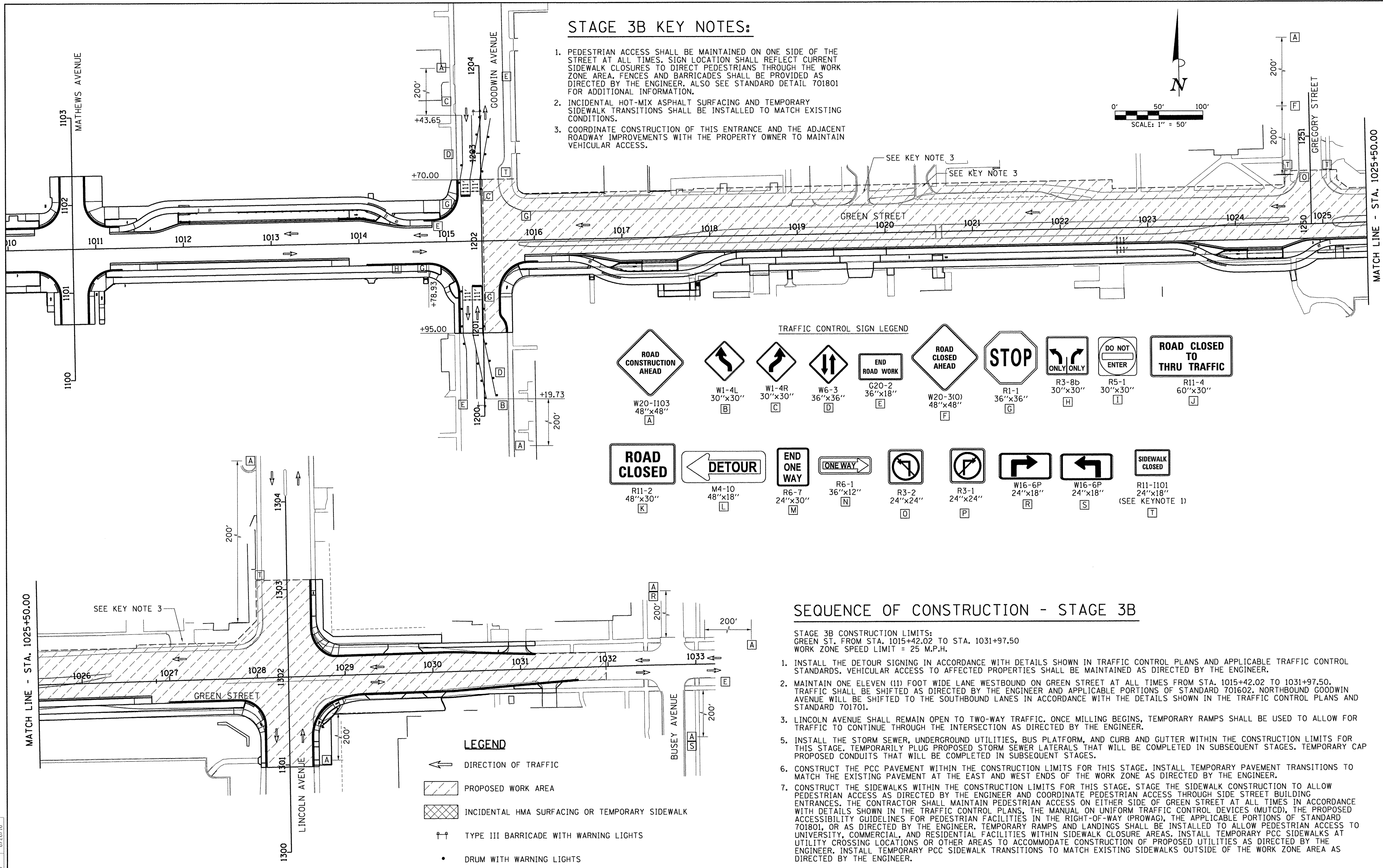
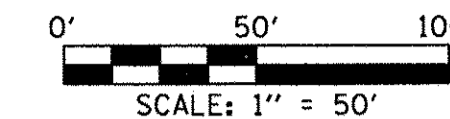
PROJECT 1 - GREEN STREET
 STAGE 3A - TRAFFIC CONTROL PLANS

SCALE: 1"=50'	SHEET NO.	OF SHEETS	STA.	TO STA.
---------------	-----------	-----------	------	---------

F.A.U. RTE.	SECTION	COUNTY	TOTAL SHEETS	SHEET NO.
7126	15-00304-01-PV	CHAMPAIGN	236	154
MCORE PROJECT 1			CONTRACT NO. 91539	
JOB NO. C-95-305-16 ILLINOIS FED. AID PROJECT TIG-5181057				

STAGE 3B KEY NOTES:

1. PEDESTRIAN ACCESS SHALL BE MAINTAINED ON ONE SIDE OF THE STREET AT ALL TIMES. SIGN LOCATION SHALL REFLECT CURRENT SIDEWALK CLOSURES TO DIRECT PEDESTRIANS THROUGH THE WORK ZONE AREA. FENCES AND BARRICADES SHALL BE PROVIDED AS DIRECTED BY THE ENGINEER. ALSO SEE STANDARD DETAIL 701801 FOR ADDITIONAL INFORMATION.
2. INCIDENTAL HOT-MIX ASPHALT SURFACING AND TEMPORARY SIDEWALK TRANSITIONS SHALL BE INSTALLED TO MATCH EXISTING CONDITIONS.
3. COORDINATE CONSTRUCTION OF THIS ENTRANCE AND THE ADJACENT ROADWAY IMPROVEMENTS WITH THE PROPERTY OWNER TO MAINTAIN VEHICULAR ACCESS.



TRAFFIC CONTROL SIGN LEGEND

 W20-1103 48"x48" A	 W1-4L 30"x30" B	 W1-4R 30"x30" C	 W6-3 36"x36" D	 G20-2 36"x18" E	 W20-3(0) 48"x48" F	 R1-1 36"x36" G	 R3-8b 30"x30" H	 R5-1 30"x30" I	 R11-4 60"x30" J
 R11-2 48"x30" K	 M4-10 48"x18" L	 R6-7 24"x30" M	 R6-1 36"x12" N	 R3-2 24"x24" O	 R3-1 24"x24" P	 W16-6P 24"x18" R	 W16-6P 24"x18" S	 R11-1101 24"x18" (SEE KEYNOTE 1) T	

SEQUENCE OF CONSTRUCTION - STAGE 3B

STAGE 3B CONSTRUCTION LIMITS:
 GREEN ST. FROM STA. 1015+42.02 TO STA. 1031+97.50
 WORK ZONE SPEED LIMIT = 25 M.P.H.

1. INSTALL THE DETOUR SIGNING IN ACCORDANCE WITH DETAILS SHOWN IN TRAFFIC CONTROL PLANS AND APPLICABLE TRAFFIC CONTROL STANDARDS. VEHICULAR ACCESS TO AFFECTED PROPERTIES SHALL BE MAINTAINED AS DIRECTED BY THE ENGINEER.
2. MAINTAIN ONE ELEVEN (11) FOOT WIDE LANE WESTBOUND ON GREEN STREET AT ALL TIMES FROM STA. 1015+42.02 TO 1031+97.50. TRAFFIC SHALL BE SHIFTED AS DIRECTED BY THE ENGINEER AND APPLICABLE PORTIONS OF STANDARD 701602. NORTHBOUND GOODWIN AVENUE WILL BE SHIFTED TO THE SOUTHBOUND LANES IN ACCORDANCE WITH THE DETAILS SHOWN IN THE TRAFFIC CONTROL PLANS AND STANDARD 701701.
3. LINCOLN AVENUE SHALL REMAIN OPEN TO TWO-WAY TRAFFIC. ONCE MILLING BEGINS, TEMPORARY RAMPS SHALL BE USED TO ALLOW FOR TRAFFIC TO CONTINUE THROUGH THE INTERSECTION AS DIRECTED BY THE ENGINEER.
5. INSTALL THE STORM SEWER, UNDERGROUND UTILITIES, BUS PLATFORM, AND CURB AND GUTTER WITHIN THE CONSTRUCTION LIMITS FOR THIS STAGE. TEMPORARILY PLUG PROPOSED STORM SEWER LATERALS THAT WILL BE COMPLETED IN SUBSEQUENT STAGES. TEMPORARY CAP PROPOSED CONDUITS THAT WILL BE COMPLETED IN SUBSEQUENT STAGES.
6. CONSTRUCT THE PCC PAVEMENT WITHIN THE CONSTRUCTION LIMITS FOR THIS STAGE. INSTALL TEMPORARY PAVEMENT TRANSITIONS TO MATCH THE EXISTING PAVEMENT AT THE EAST AND WEST ENDS OF THE WORK ZONE AS DIRECTED BY THE ENGINEER.
7. CONSTRUCT THE SIDEWALKS WITHIN THE CONSTRUCTION LIMITS FOR THIS STAGE. STAGE THE SIDEWALK CONSTRUCTION TO ALLOW PEDESTRIAN ACCESS AS DIRECTED BY THE ENGINEER AND COORDINATE PEDESTRIAN ACCESS THROUGH SIDE STREET BUILDING ENTRANCES. THE CONTRACTOR SHALL MAINTAIN PEDESTRIAN ACCESS ON EITHER SIDE OF GREEN STREET AT ALL TIMES IN ACCORDANCE WITH DETAILS SHOWN IN THE TRAFFIC CONTROL PLANS. THE MANUAL ON UNIFORM TRAFFIC CONTROL DEVICES (MUTCD), THE PROPOSED ACCESSIBILITY GUIDELINES FOR PEDESTRIAN FACILITIES IN THE RIGHT-OF-WAY (PROWAG), THE APPLICABLE PORTIONS OF STANDARD 701801, OR AS DIRECTED BY THE ENGINEER. TEMPORARY RAMPS AND LANDINGS SHALL BE INSTALLED TO ALLOW PEDESTRIAN ACCESS TO UNIVERSITY, COMMERCIAL, AND RESIDENTIAL FACILITIES WITHIN SIDEWALK CLOSURE AREAS. INSTALL TEMPORARY PCC SIDEWALKS AT UTILITY CROSSING LOCATIONS OR OTHER AREAS TO ACCOMMODATE CONSTRUCTION OF PROPOSED UTILITIES AS DIRECTED BY THE ENGINEER. INSTALL TEMPORARY PCC SIDEWALK TRANSITIONS TO MATCH EXISTING SIDEWALKS OUTSIDE OF THE WORK ZONE AREA AS DIRECTED BY THE ENGINEER.

LEGEND

- DIRECTION OF TRAFFIC
- PROPOSED WORK AREA
- INCIDENTAL HMA SURFACING OR TEMPORARY SIDEWALK
- TYPE III BARRICADE WITH WARNING LIGHTS
- DRUM WITH WARNING LIGHTS

LAYOUT	DLC	11/24/15
DRAWN	CLS	8/25/16
REVIEWED	MGD	8/26/16

FILE NAME = Z:\Plans\Sheets\Project1\P1-sht-staging03bt.dgn
 PLOT DATE = 8/25/2016 4:11:32 PM

DESIGNED - DLC	REVISED -
DRAWN - CLS	REVISED -
CHECKED - MGD	REVISED -
DATE - 8/26/2016	REVISED -

STATE OF ILLINOIS
 DEPARTMENT OF TRANSPORTATION

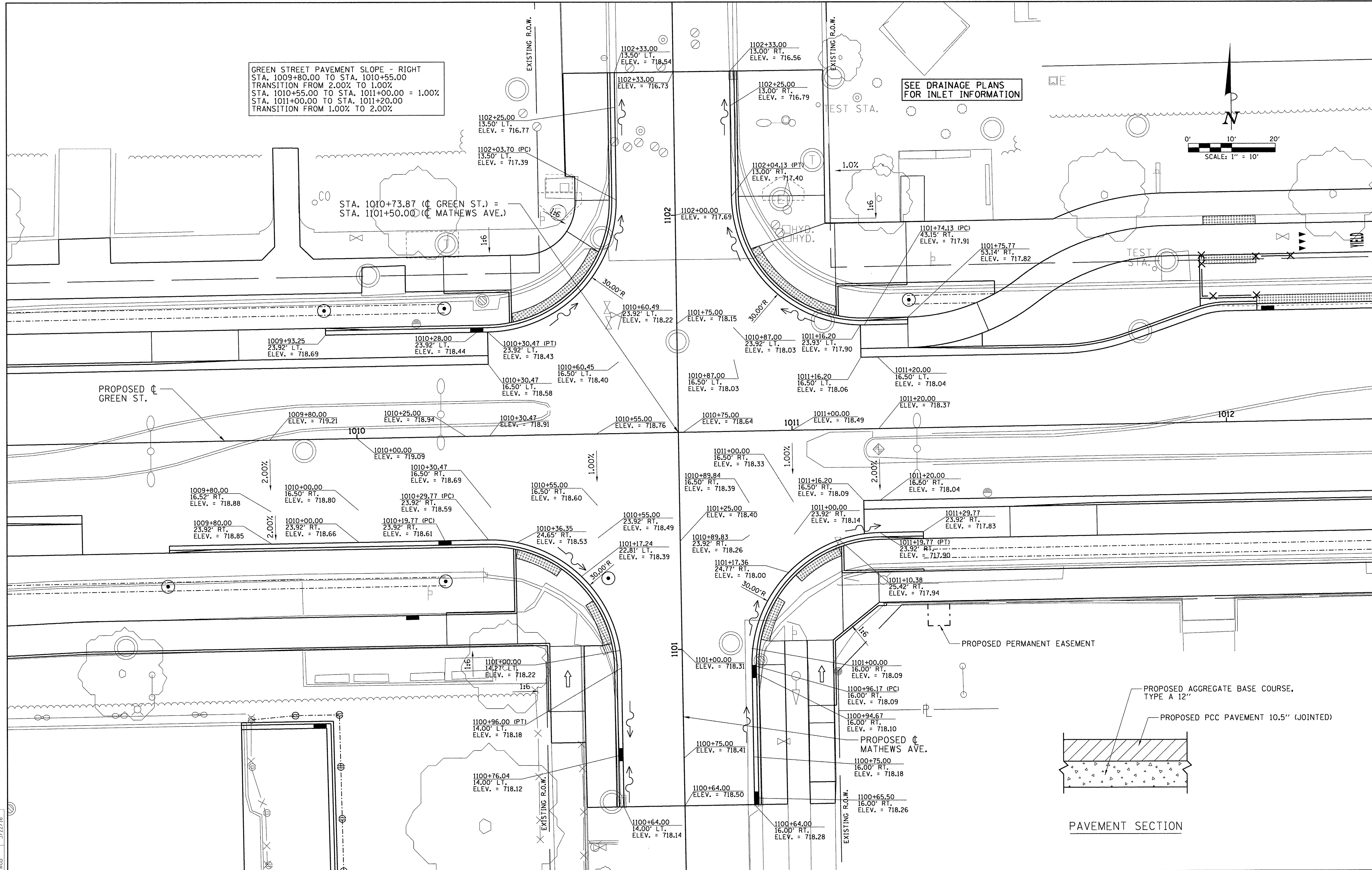
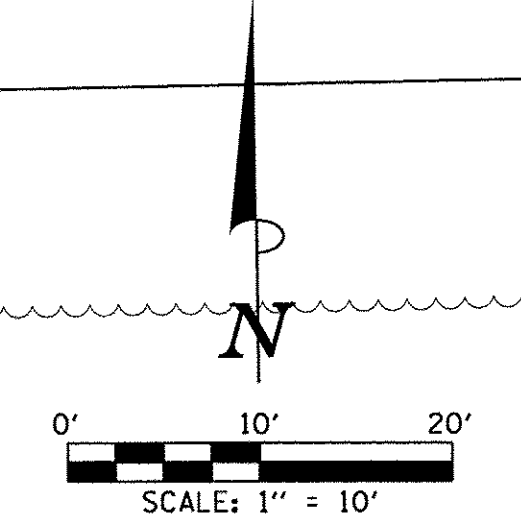
PROJECT 1 - GREEN STREET
 STAGE 3B - TRAFFIC CONTROL PLANS

SCALE: 1"=50' SHEET NO. OF SHEETS STA. TO STA.

F.A.U. RTE.	SECTION	COUNTY	TOTAL SHEETS	SHEET NO.
7126	15-00304-01-PV	CHAMPAIGN	236	155
MCORE PROJECT 1			CONTRACT NO. 91539	
JOB NO. C-95-305-16 ILLINOIS FED. AID PROJECT TIG-5181057				

GREEN STREET PAVEMENT SLOPE - RIGHT
 STA. 1009+80.00 TO STA. 1010+55.00
 TRANSITION FROM 2.00% TO 1.00%
 STA. 1010+55.00 TO STA. 1011+00.00 = 1.00%
 STA. 1011+00.00 TO STA. 1011+20.00
 TRANSITION FROM 1.00% TO 2.00%

SEE DRAINAGE PLANS
 FOR INLET INFORMATION



LAYOUT	BAB	11/24/15
DRAWN	CLS	2/4/16
REVIEWED	MGD	3/22/16

FILE NAME =	Z:\Plans\Sheets\Project1\P1-sht-intdet02.dgn
PLOT DATE =	8/25/2016 1:49:47 PM

DESIGNED -	BAB	REVISED -	
DRAWN -	CLS	REVISED -	
CHECKED -	MGD	REVISED -	
DATE -	8/26/2016	REVISED -	

STATE OF ILLINOIS
 DEPARTMENT OF TRANSPORTATION

PROJECT 1 - GREEN STREET & MATHEWS AVENUE
 INTERSECTION DETAIL

SCALE: 1"=10' SHEET NO. OF SHEETS STA. TO STA.

F.A.U. RTE.	SECTION	COUNTY	TOTAL SHEETS	SHEET NO.
7126	15-00304-01-PV	CHAMPAIGN	236	156
MCORE PROJECT 1			CONTRACT NO. 91539	
JOB NO. C-95-305-16 ILLINOIS FED. AID PROJECT TIG-5181057				

LAYOUT	BAB	11/24/15
DRAWN	CLS	2/4/16
REVIEWED	MGD	3/22/16

FILE NAME = Z:\Plans\sheets\Project1\PI-sht-intdet03.dgn
 PLOT DATE = 8/25/2016 1:49:51 PM

DESIGNED - BAB
 DRAWN - CLS
 CHECKED - MGD
 DATE - 8/26/2016

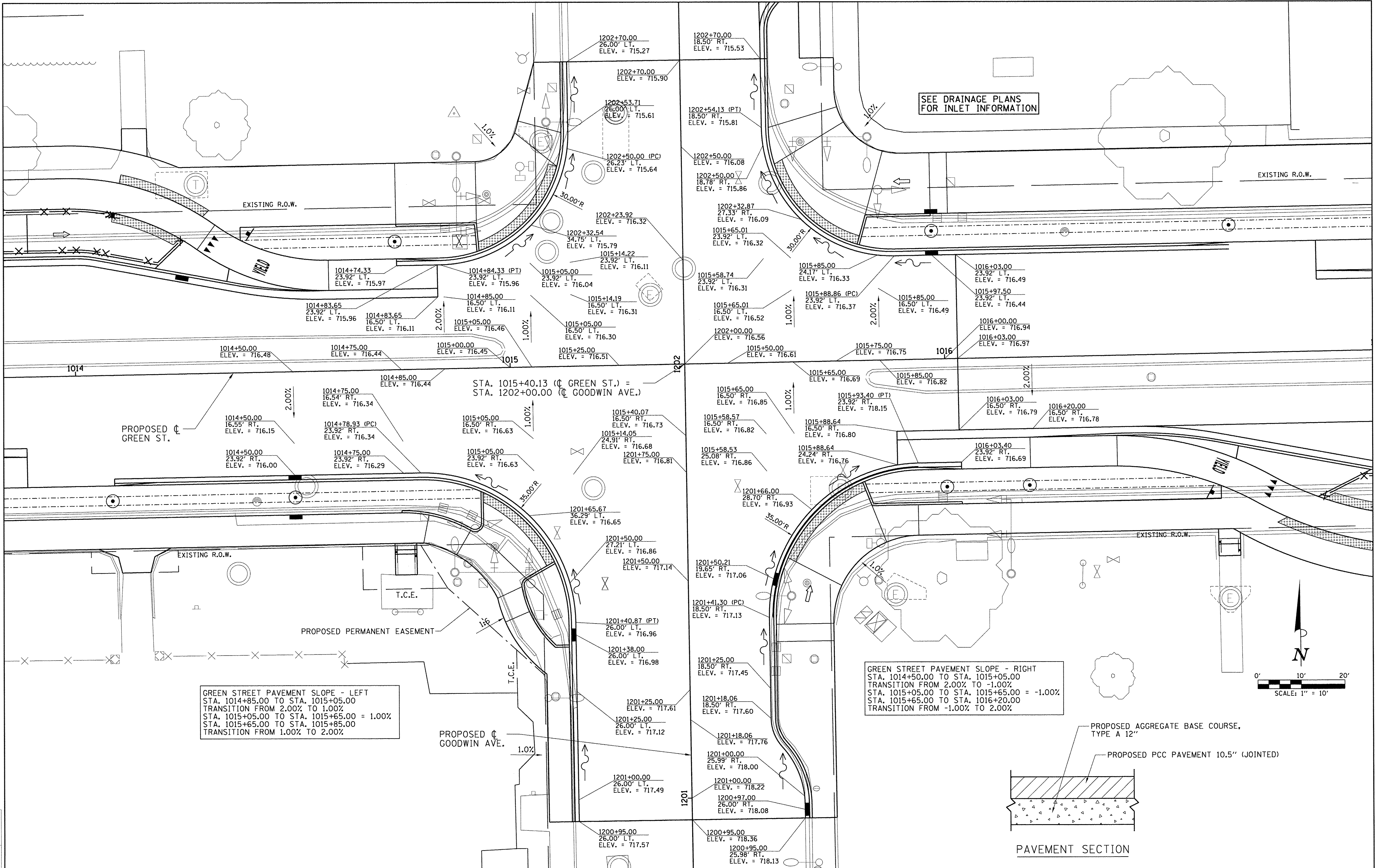
REVISED -
 REVISED -
 REVISED -
 REVISED -

STATE OF ILLINOIS
 DEPARTMENT OF TRANSPORTATION

PROJECT 1 - GREEN STREET & GOODWIN AVENUE
 INTERSECTION DETAIL

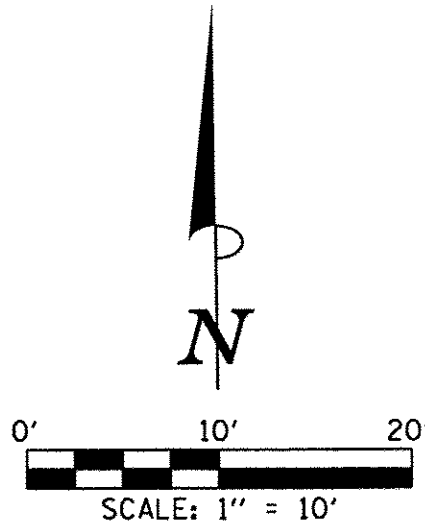
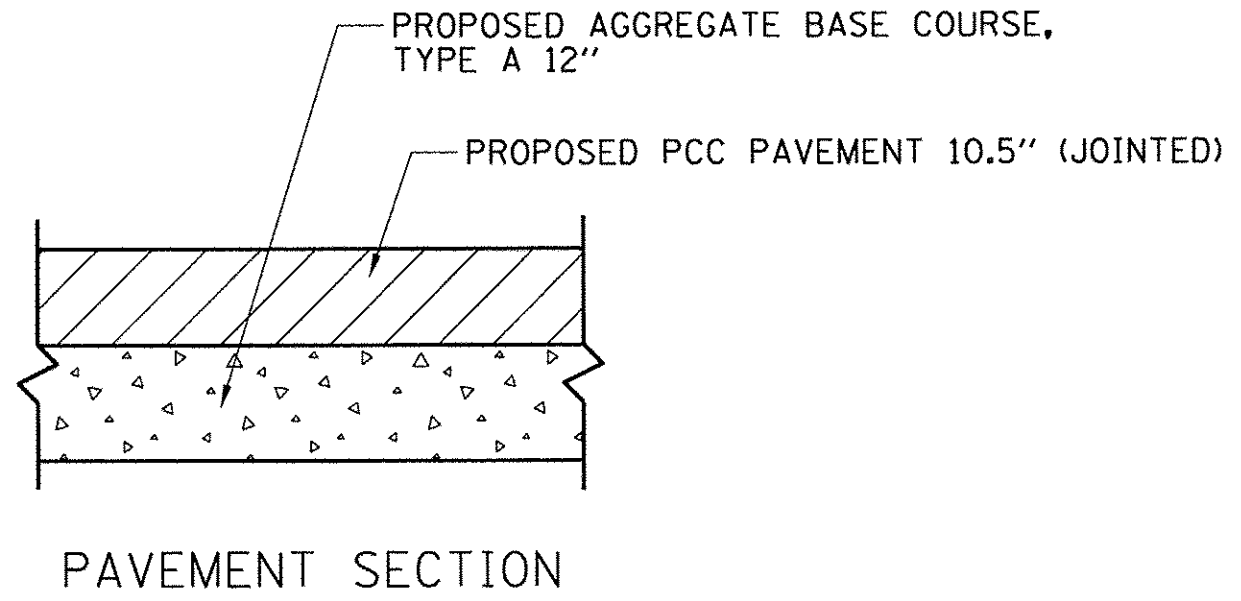
SCALE: 1"=10' SHEET NO. OF SHEETS STA. TO STA.

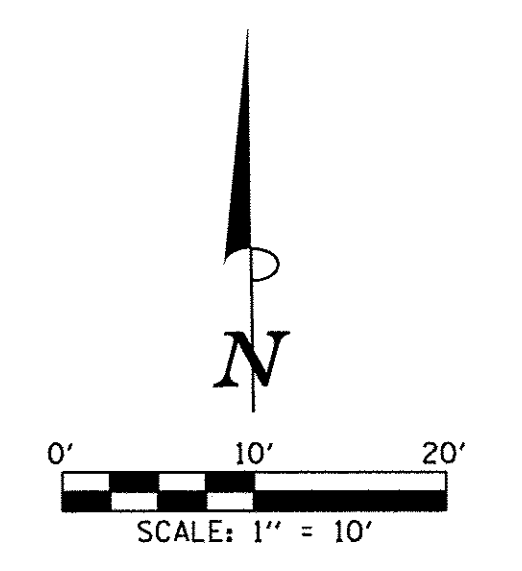
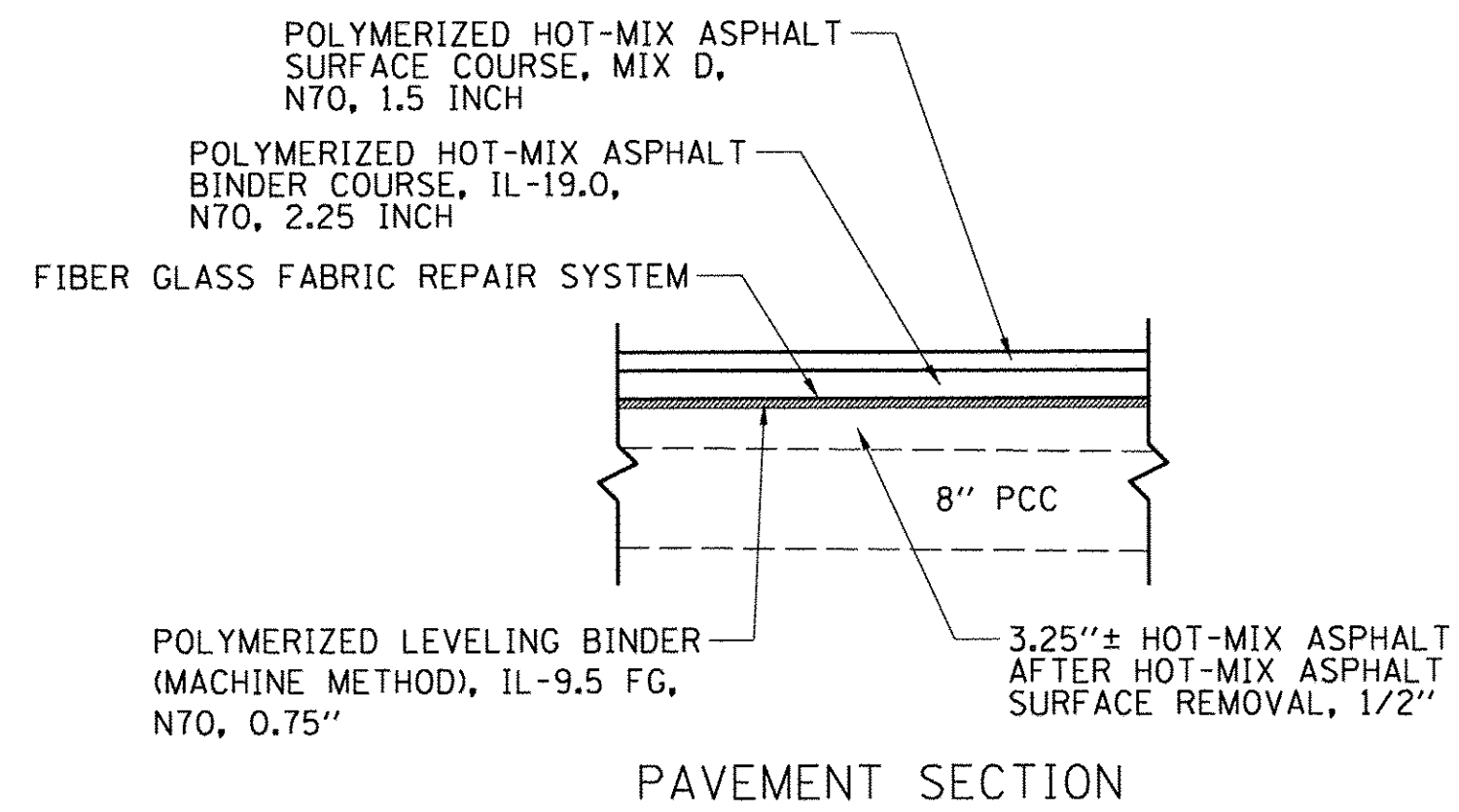
F.A.U. RTE.	SECTION	COUNTY	TOTAL SHEETS	SHEET NO.
7126	15-00304-01-PV	CHAMPAIGN	236	157
MCORE PROJECT 1			CONTRACT NO. 91539	
JOB NO. C-95-305-16			ILLINOIS FED. AID PROJECT T16-51810571	



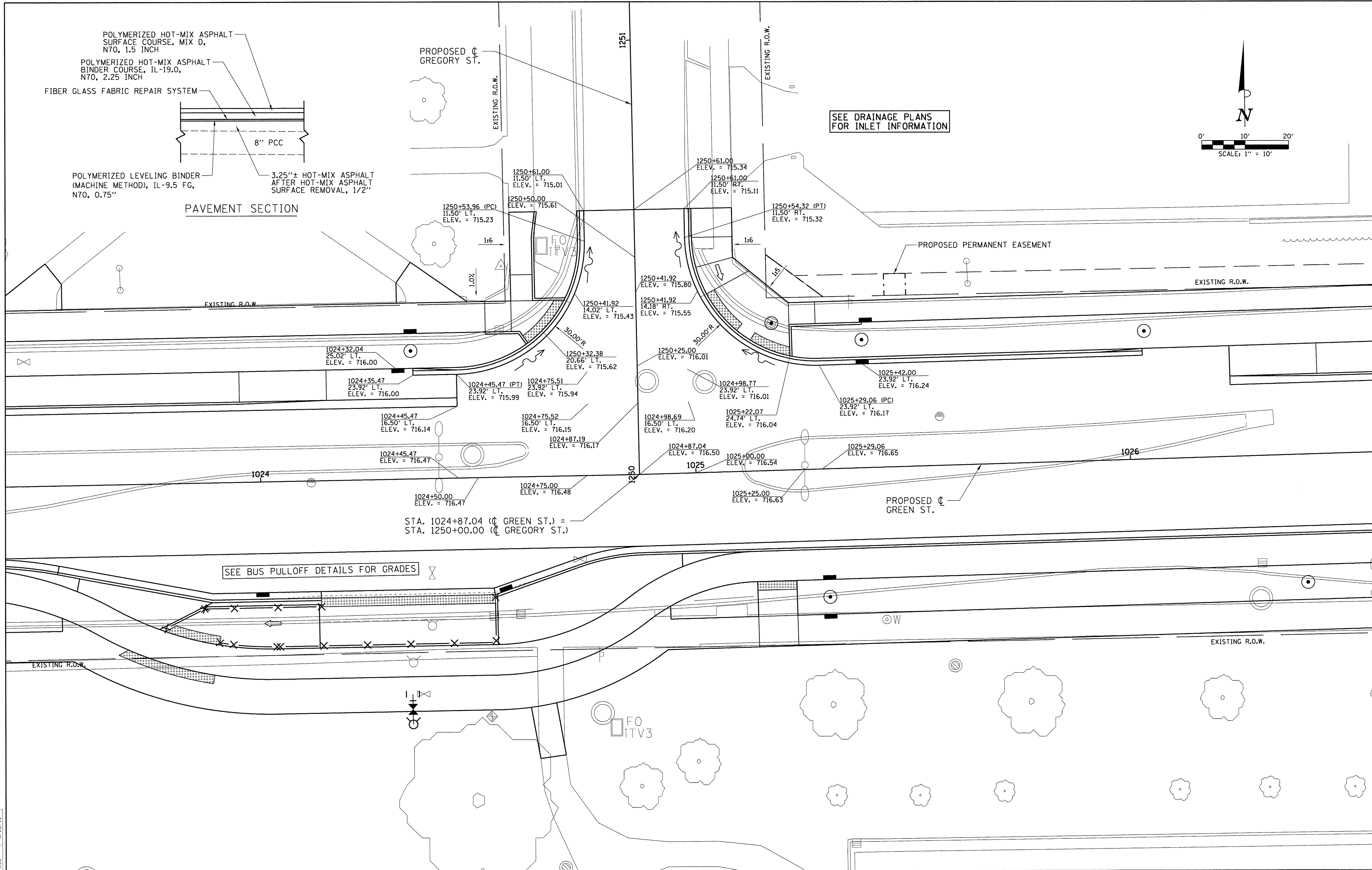
GREEN STREET PAVEMENT SLOPE - LEFT
 STA. 1014+85.00 TO STA. 1015+05.00
 TRANSITION FROM 2.00% TO 1.00%
 STA. 1015+05.00 TO STA. 1015+65.00 = 1.00%
 STA. 1015+65.00 TO STA. 1015+85.00
 TRANSITION FROM 1.00% TO 2.00%

GREEN STREET PAVEMENT SLOPE - RIGHT
 STA. 1014+50.00 TO STA. 1015+05.00
 TRANSITION FROM 2.00% TO -1.00%
 STA. 1015+05.00 TO STA. 1015+65.00 = -1.00%
 STA. 1015+65.00 TO STA. 1016+20.00
 TRANSITION FROM -1.00% TO 2.00%





SEE DRAINAGE PLANS FOR INLET INFORMATION



SEE BUS PULLOFF DETAILS FOR GRADES

© Copyright Hanson Professional Services Inc., 2016
HANSON
 Hanson Professional Services Inc.

LAYOUT	BAB	11/24/15
DRAWN	CLS	2/4/16
REVIEWED	MGD	3/22/16

FILE NAME =	Z:\Plans\sheets\Project1\p1-sht-intdet04.dgn
PLOT DATE =	8/25/2016 1:49:54 PM

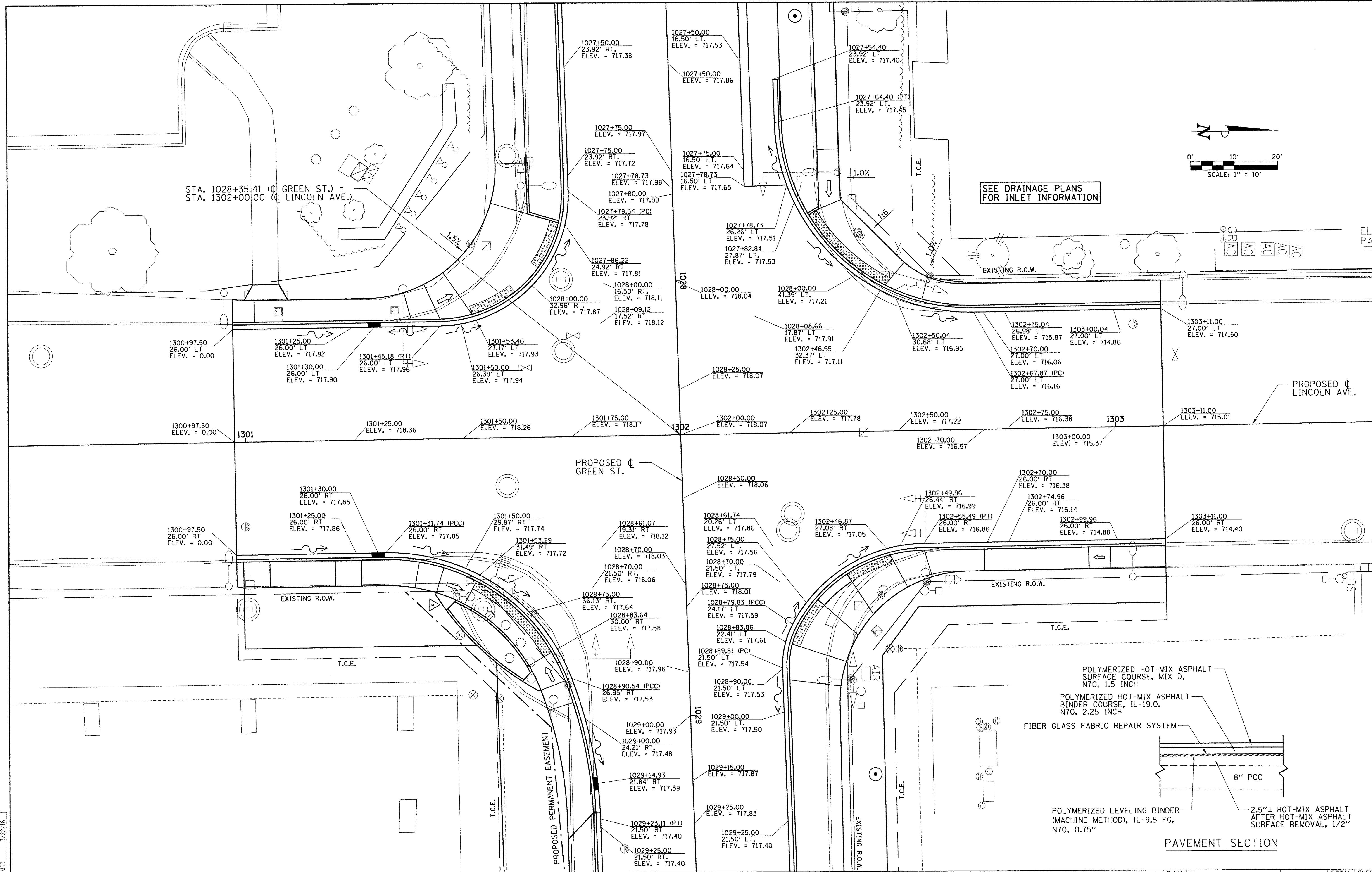
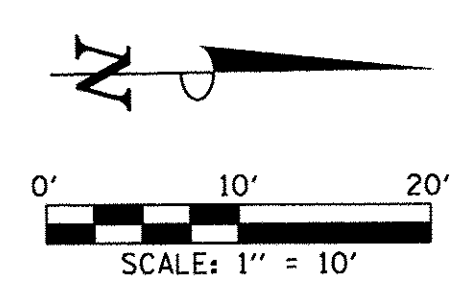
DESIGNED -	BAB	REVISED -	
DRAWN -	CLS	REVISED -	
CHECKED -	MGD	REVISED -	
DATE -	8/26/2016	REVISED -	

STATE OF ILLINOIS
 DEPARTMENT OF TRANSPORTATION

PROJECT 1 - GREEN STREET & GREGORY STREET
INTERSECTION DETAIL

SCALE: 1"=10' SHEET NO. OF SHEETS STA. TO STA.

F.A.U. RTE.	SECTION	COUNTY	TOTAL SHEETS	SHEET NO.
7126	15-00304-01-PV	CHAMPAIGN	236	158
MCORE PROJECT 1			CONTRACT NO. 91539	
JOB NO. C-95-305-16 ILLINOIS FED. AID PROJECT TIG-51810571				



BAB	11/24/15
CLS	2/14/16
MGD	3/22/16

FILE NAME = Z:\Plans\Sheets\Project1\P1-sht-intdet05.dgn
 PLOT DATE = 8/25/2016 1:49:57 PM

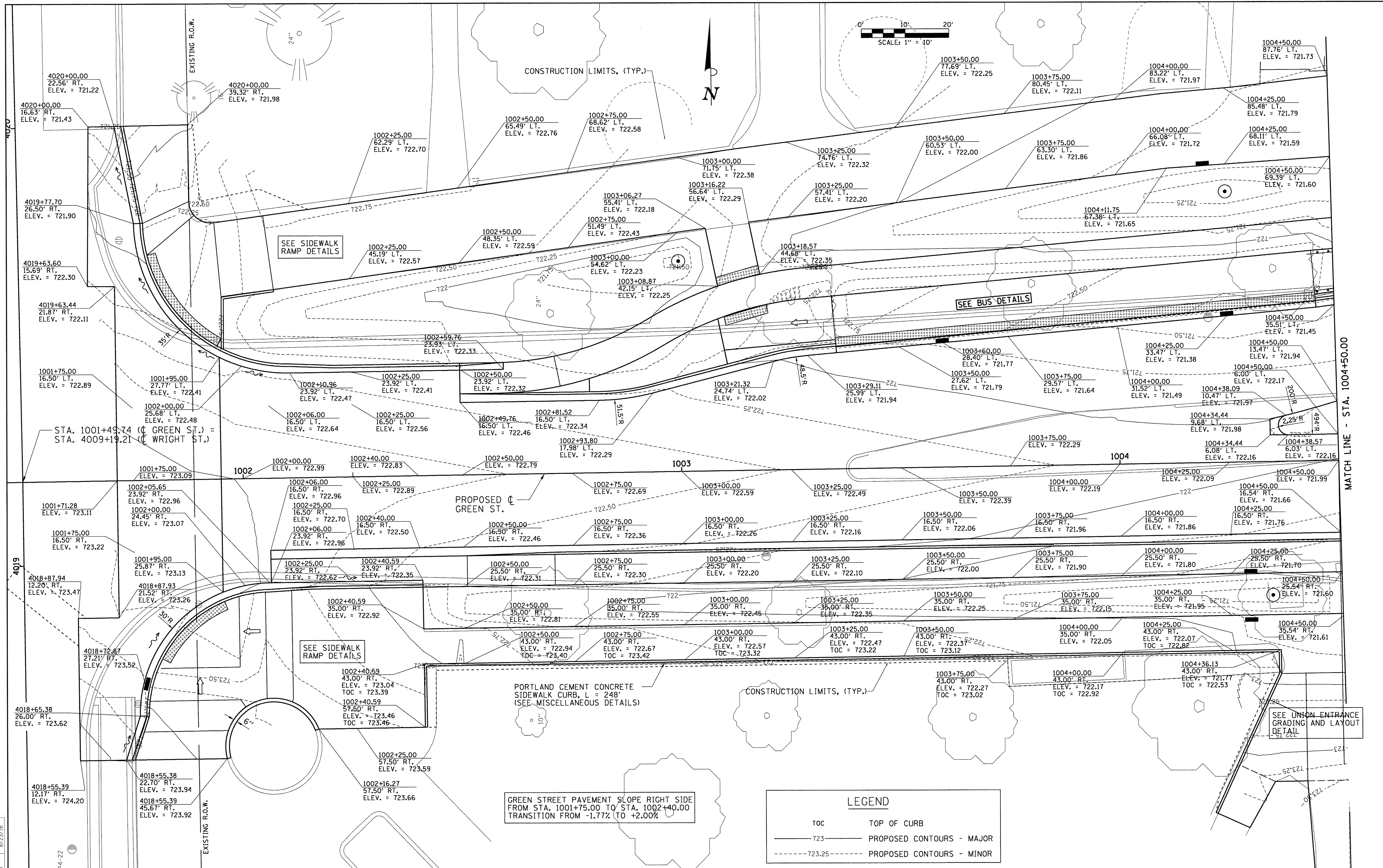
DESIGNED - BAB	REVISED -
DRAWN - CLS	REVISED -
CHECKED - MGD	REVISED -
DATE - 8/26/2016	REVISED -

STATE OF ILLINOIS
 DEPARTMENT OF TRANSPORTATION

**PROJECT 1 - GREEN STREET & LINCOLN AVENUE
 INTERSECTION DETAIL**

SCALE: 1"=10' SHEET NO. OF SHEETS STA. TO STA.

F.A.U. RTE.	SECTION	COUNTY	TOTAL SHEETS	SHEET NO.
7126	15-00304-01-PV	CHAMPAIGN	236	159
MCORE PROJECT 1			CONTRACT NO. 91539	
JOB NO. C-95-305-16 ILLINOIS FED. AID PROJECT TIG-5181(057)				



GREEN STREET PAVEMENT SLOPE RIGHT SIDE FROM STA. 1001+75.00 TO STA. 1002+40.00 TRANSITION FROM -1.77% TO +2.00%

LEGEND	
TOC	TOP OF CURB
723	PROPOSED CONTOURS - MAJOR
723.25	PROPOSED CONTOURS - MINOR

LAYOUT	BAB	11/24/15
DRAWN	CLS	8/24/16
REVIEWED	MGD	8/25/16

FILE NAME =	Z:\Plans\Sheets\Project1\P1-sht-grading01.dgn
PLOT DATE =	8/25/2016 1:50:05 PM

DESIGNED -	BAB	REVISED -	
DRAWN -	CLS	REVISED -	
CHECKED -	MGD	REVISED -	
DATE -	8/26/2016	REVISED -	

STATE OF ILLINOIS
 DEPARTMENT OF TRANSPORTATION

**PROJECT 1 - GREEN STREET
 GRADING AND LAYOUT DETAIL**

SCALE: 1"=10' SHEET NO. OF SHEETS STA. TO STA.

F.A.U. RTE.	SECTION	COUNTY	TOTAL SHEETS	SHEET NO.
7126	15-00304-01-PV	CHAMPAIGN	236	160
MCORE PROJECT 1			CONTRACT NO. 91539	
JOB NO. C-95-305-16 ILLINOIS FED. AID PROJECT TIG-5181057				

LAYOUT	BAB	11/24/15
DRAWN	CLS	2/4/16
REVIEWED	MGD	3/22/16

FILE NAME = Z:\Plans\sheets\Project\1\1-sht-grading02.dgn
 PLOT DATE = 8/25/2016 1:50:10 PM

DESIGNED - BAB
 DRAWN - CLS
 CHECKED - MGD
 DATE - 8/26/2016

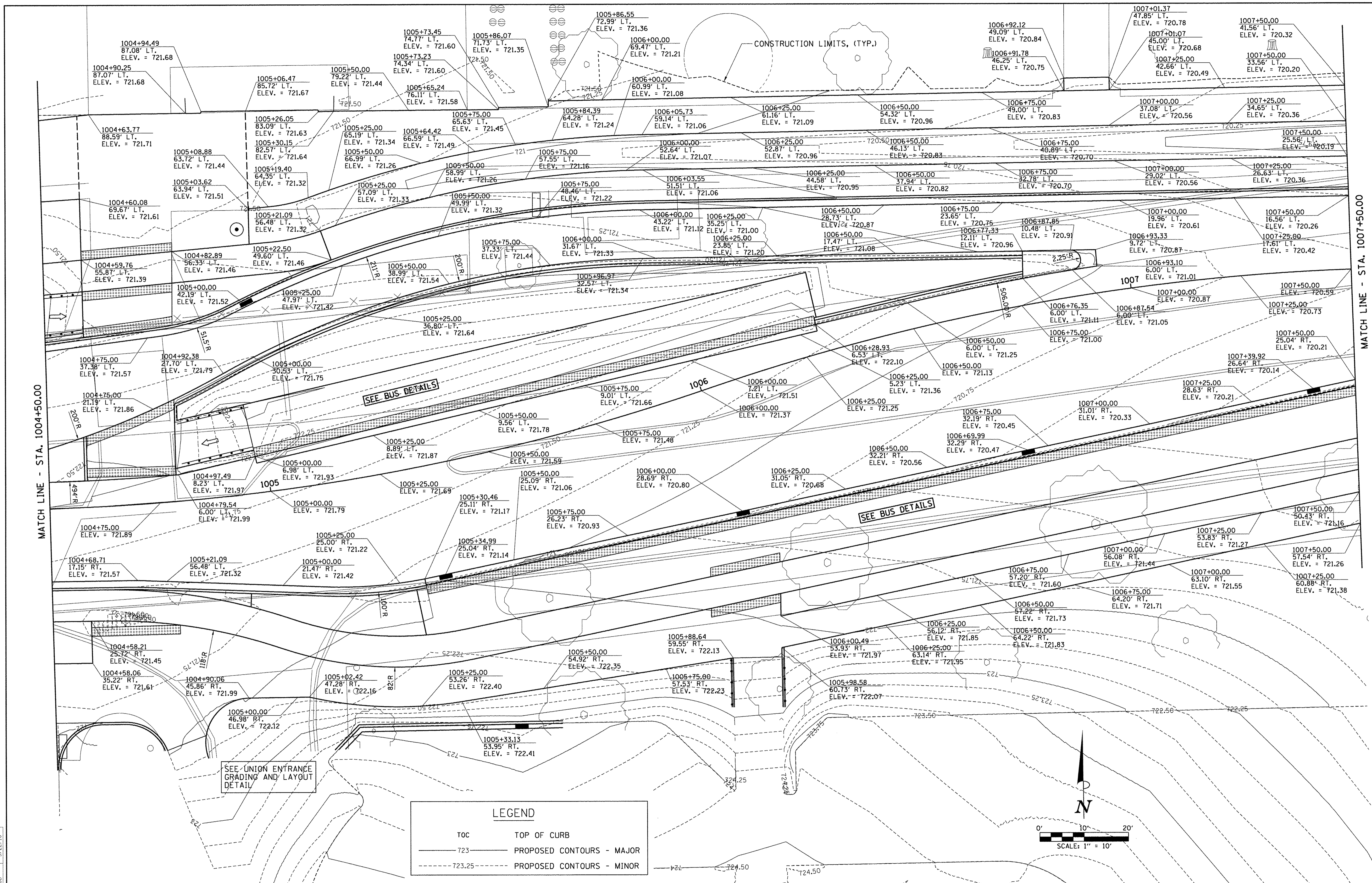
REVISED -
 REVISED -
 REVISED -
 REVISED -

STATE OF ILLINOIS
 DEPARTMENT OF TRANSPORTATION

PROJECT 1 - GREEN STREET
 GRADING AND LAYOUT DETAIL

SCALE: 1"=10' SHEET NO. OF SHEETS STA. TO STA.

F.A.U. RTE.	SECTION	COUNTY	TOTAL SHEETS	SHEET NO.
7126	15-00304-01-PV	CHAMPAIGN	236	161
MCORE PROJECT 1			CONTRACT NO. 91539	
JOB NO. C-95-305-16 ILLINOIS FED. AID PROJECT TIG-5181057				



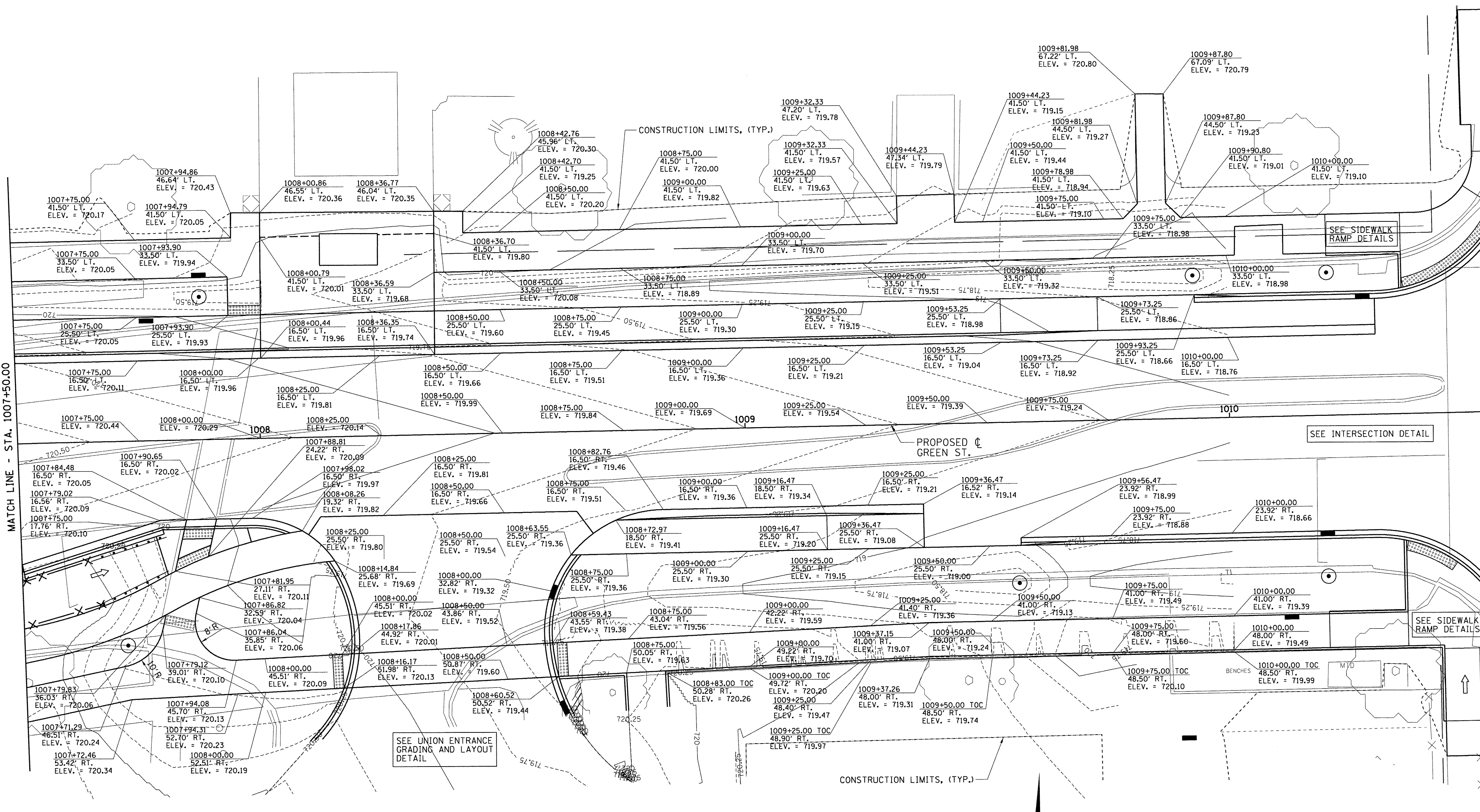
MATCH LINE - STA. 1004+50.00

MATCH LINE - STA. 1007+50.00

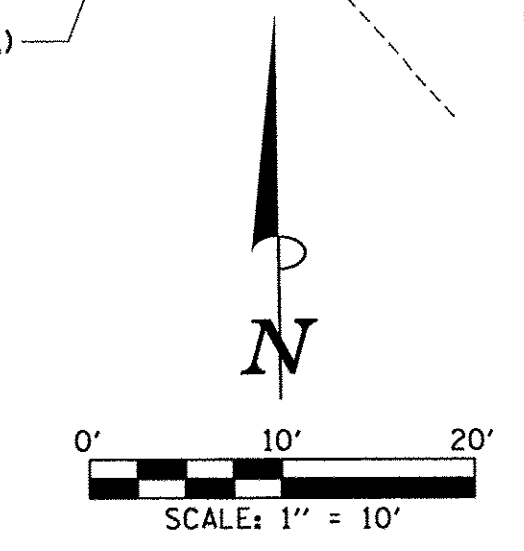
LEGEND

- TOC TOP OF CURB
- 723 PROPOSED CONTOURS - MAJOR
- 723.25 PROPOSED CONTOURS - MINOR

MATCH LINE - STA. 1007+50.00



LEGEND	
TOC	TOP OF CURB
— 723 —	PROPOSED CONTOURS - MAJOR
- - - 723.25 - - -	PROPOSED CONTOURS - MINOR



LAYOUT	BAB	11/24/15
DRAWN	CLS	2/4/16
REVIEWED	MGD	3/22/16

FILE NAME = Z:\Plans\Sheets\Project1\P1-sht-grading03.dgn
 PLOT DATE = 8/25/2016 1:50:13 PM

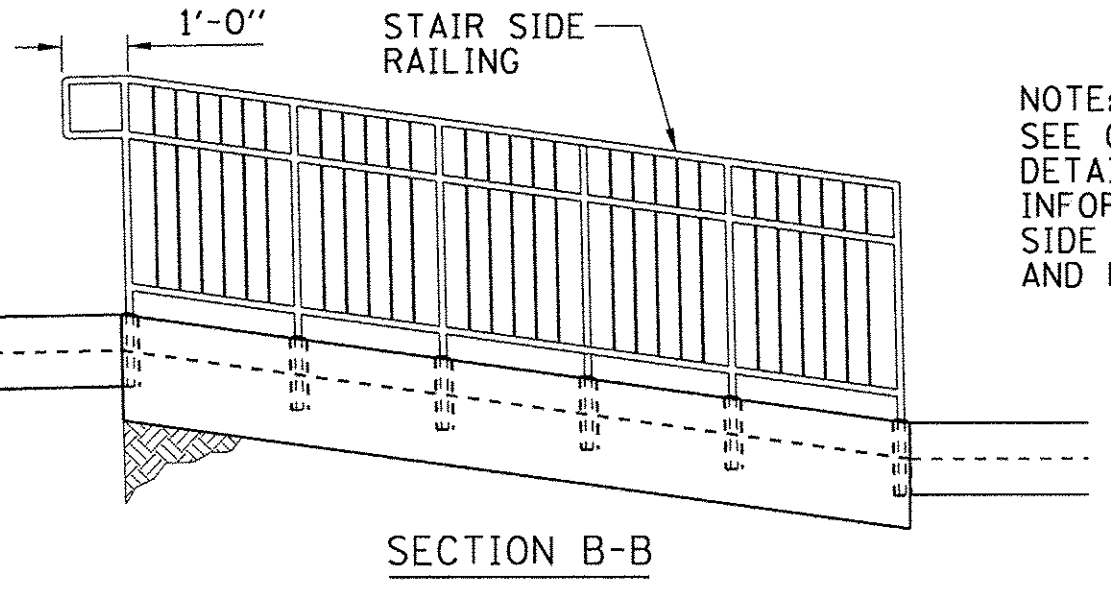
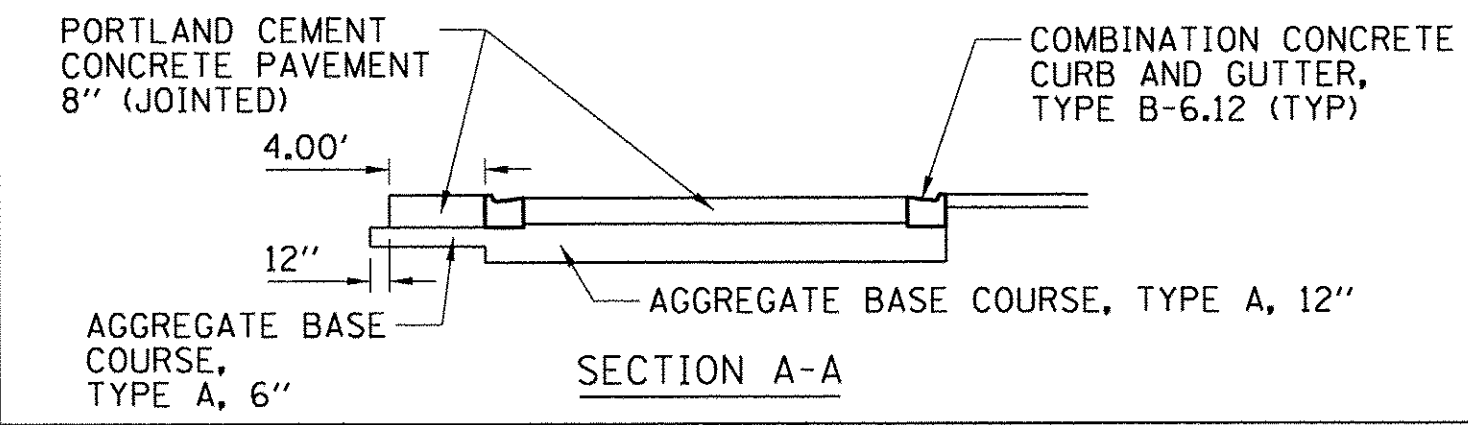
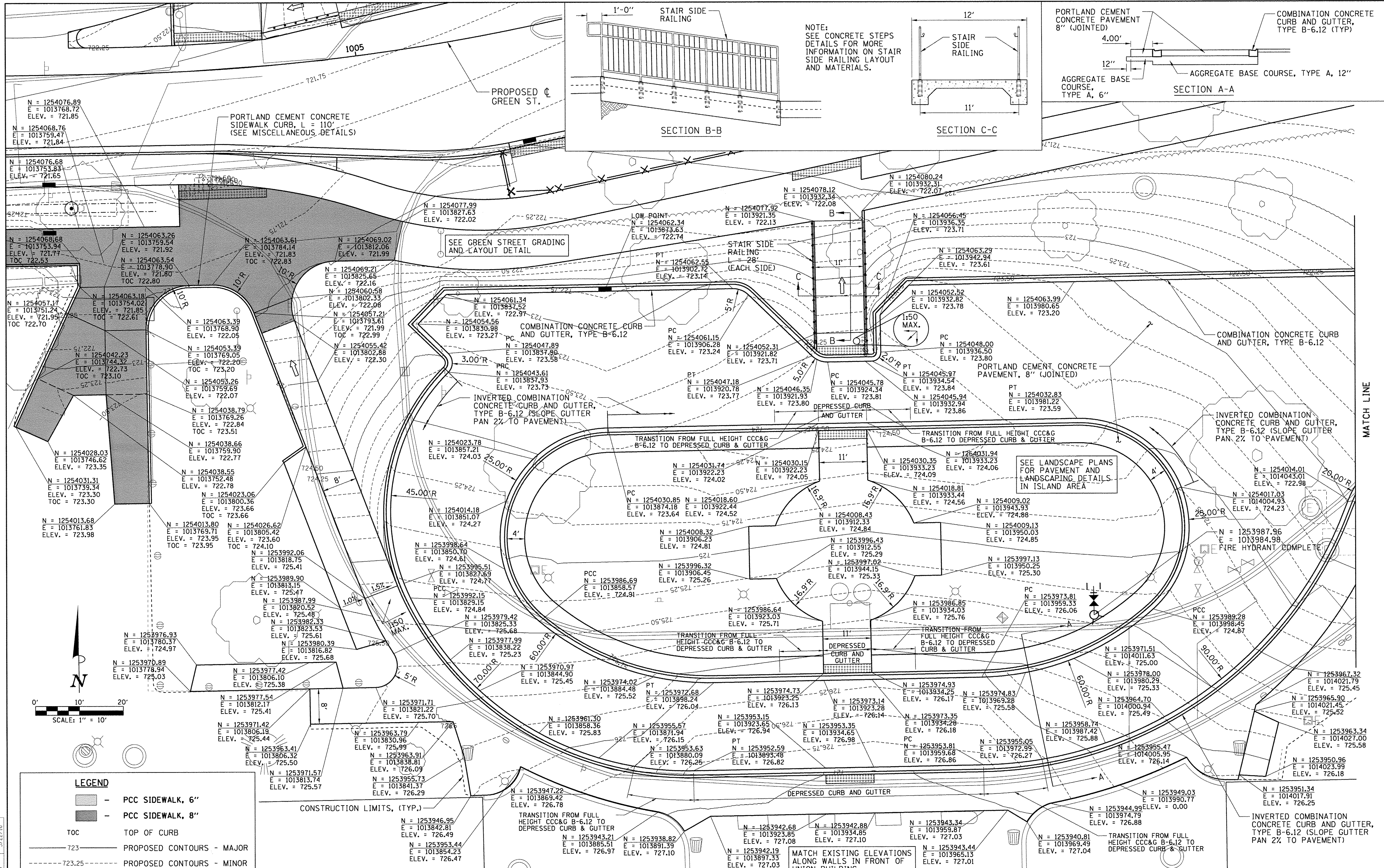
DESIGNED -	BAB	REVISED -	
DRAWN -	CLS	REVISED -	
CHECKED -	MGD	REVISED -	
DATE -	8/26/2016	REVISED -	

STATE OF ILLINOIS
 DEPARTMENT OF TRANSPORTATION

PROJECT 1 - GREEN STREET
 GRADING AND LAYOUT DETAIL

SCALE: 1"=10' SHEET NO. OF SHEETS STA. TO STA.

F.A.U. RTE.	SECTION	COUNTY	TOTAL SHEETS	SHEET NO.
7126	15-00304-01-PV	CHAMPAIGN	236	162
MCORE PROJECT 1		CONTRACT NO. 91539		
JOB NO. C-95-305-16 ILLINOIS FED. AID PROJECT TIG-5181(057)				



NOTE:
SEE CONCRETE STEPS
DETAILS FOR MORE
INFORMATION ON STAIR
SIDE RAILING LAYOUT
AND MATERIALS.

PORTLAND CEMENT CONCRETE
SIDEWALK CURB, L = 110'
(SEE MISCELLANEOUS DETAILS)

PROPOSED
GREEN ST.

SEE GREEN STREET GRADING
AND LAYOUT DETAIL

SEE LANDSCAPE PLANS
FOR PAVEMENT AND
LANDSCAPING DETAILS
IN ISLAND AREA

MATCH EXISTING ELEVATIONS
ALONG WALLS IN FRONT OF
UNION BUILDING

LEGEND

- PCC SIDEWALK, 6"
- PCC SIDEWALK, 8"
- TOC TOP OF CURB
- 723 — PROPOSED CONTOURS - MAJOR
- - - 723.25 - - - PROPOSED CONTOURS - MINOR

© Copyright Hanson Professional Services, Inc. 2018
HANSON
 Hanson Professional Services Inc.

FILE NAME = Z:\Plans\Sheets\Project1\1P1-sht-grading04.dgn
 PLOT DATE = 8/25/2016 1:50:18 PM

DESIGNED - BAB	REVISED -
DRAWN - CLS	REVISED -
CHECKED - MGD	REVISED -
DATE - 8/26/2016	REVISED -

STATE OF ILLINOIS
DEPARTMENT OF TRANSPORTATION

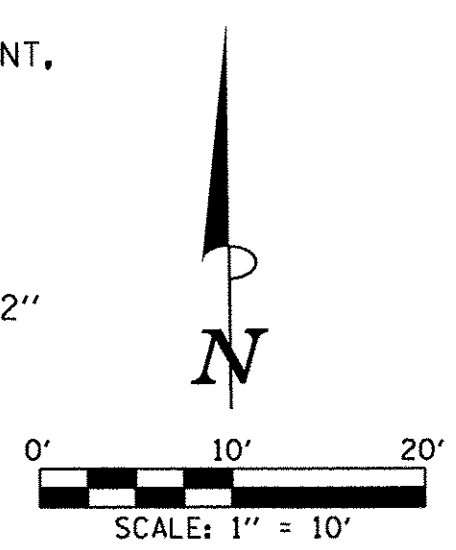
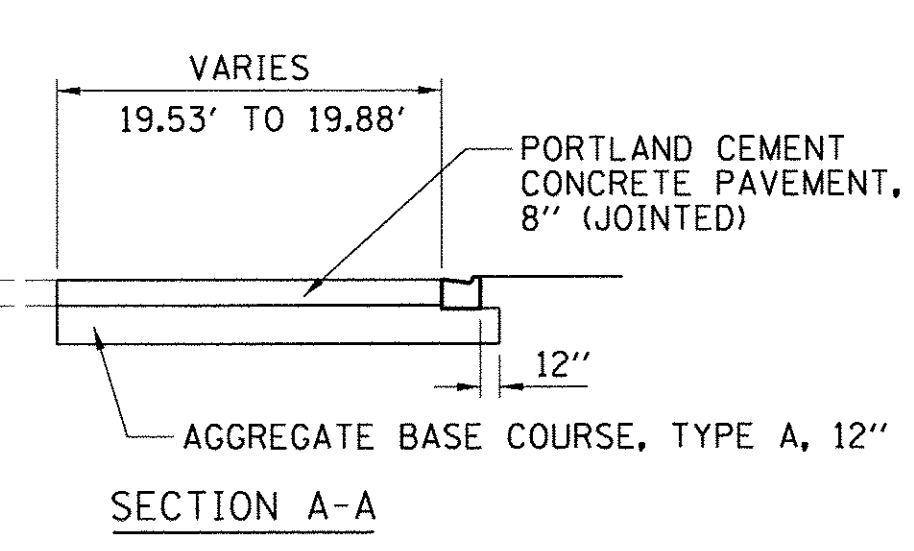
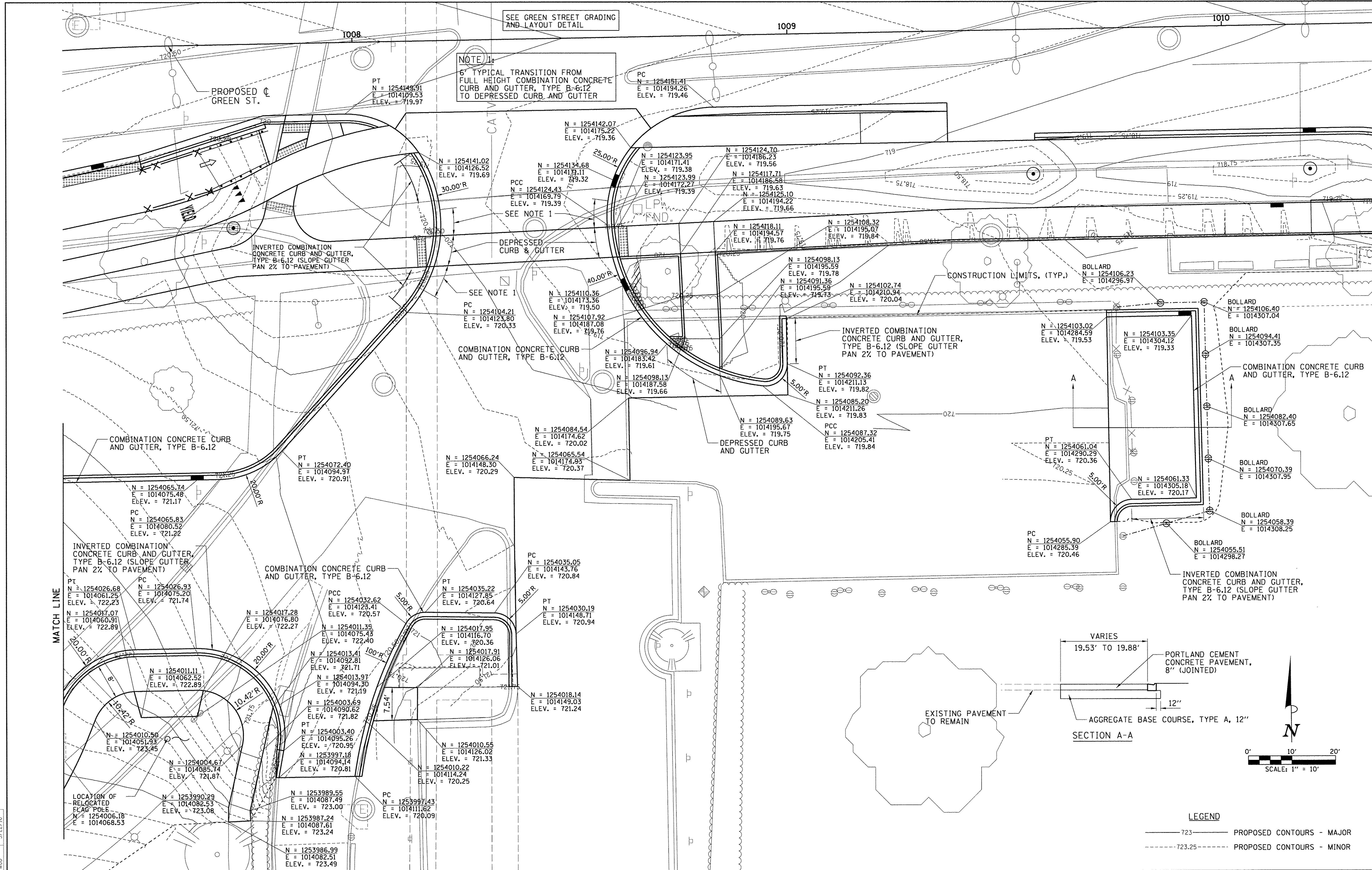
PROJECT 1 - UNION ENTRANCE
GRADING AND LAYOUT DETAIL

SCALE: 1"=10' SHEET NO. OF SHEETS STA. TO STA.

F.A.U. RTE.	SECTION	COUNTY	TOTAL SHEETS	SHEET NO.
7126	15-00304-01-PV	CHAMPAIGN	236	163
MCORE PROJECT 1			CONTRACT NO. 91539	
JOB NO. C-95-305-16 ILLINOIS FED. AID PROJECT TIG-5181057				

SEE GREEN STREET GRADING AND LAYOUT DETAIL

NOTE 1:
 6' TYPICAL TRANSITION FROM FULL HEIGHT COMBINATION CONCRETE CURB AND GUTTER, TYPE B-6.12 TO DEPRESSED CURB AND GUTTER



LEGEND
 - - - - - 723 - - - - - PROPOSED CONTOURS - MAJOR
 - - - - - 723.25 - - - - - PROPOSED CONTOURS - MINOR

LAYOUT	BAB	11/24/15
DRAWN	CLS	2/4/16
REVIEWED	MGD	3/22/16

FILE NAME = Z:\Plans\Sheets\Project1\1P1-sht-grading05.dgn
 PLOT DATE = 8/25/2016 1:50:23 PM

DESIGNED -	BAB	REVISED -	
DRAWN -	CLS	REVISED -	
CHECKED -	MGD	REVISED -	
DATE -	8/26/2016	REVISED -	

STATE OF ILLINOIS
 DEPARTMENT OF TRANSPORTATION

PROJECT 1 - UNION ENTRANCE
 GRADING AND LAYOUT DETAIL

SCALE: 1"=10' SHEET NO. OF SHEETS STA. TO STA.

F.A.U. RTE.	SECTION	COUNTY	TOTAL SHEETS	SHEET NO.
7126	15-00304-01-PV	CHAMPAIGN	236	164
MCORE PROJECT 1		CONTRACT NO. 91539		
JOB NO. C-95-305-16 ILLINOIS FED. AID PROJECT TIG-5181057				

LAYOUT	BAB	11/24/15
DRAWN	CLS	2/4/16
REVIEWED	MCD	3/22/16

FILE NAME = Z:\Plans\sheets\Project1\p1-sht-grading06.dgn
 PLOT DATE = 8/25/2016 1:50:26 PM

DESIGNED - BAB
 DRAWN - CLS
 CHECKED - MGD
 DATE - 8/26/2016

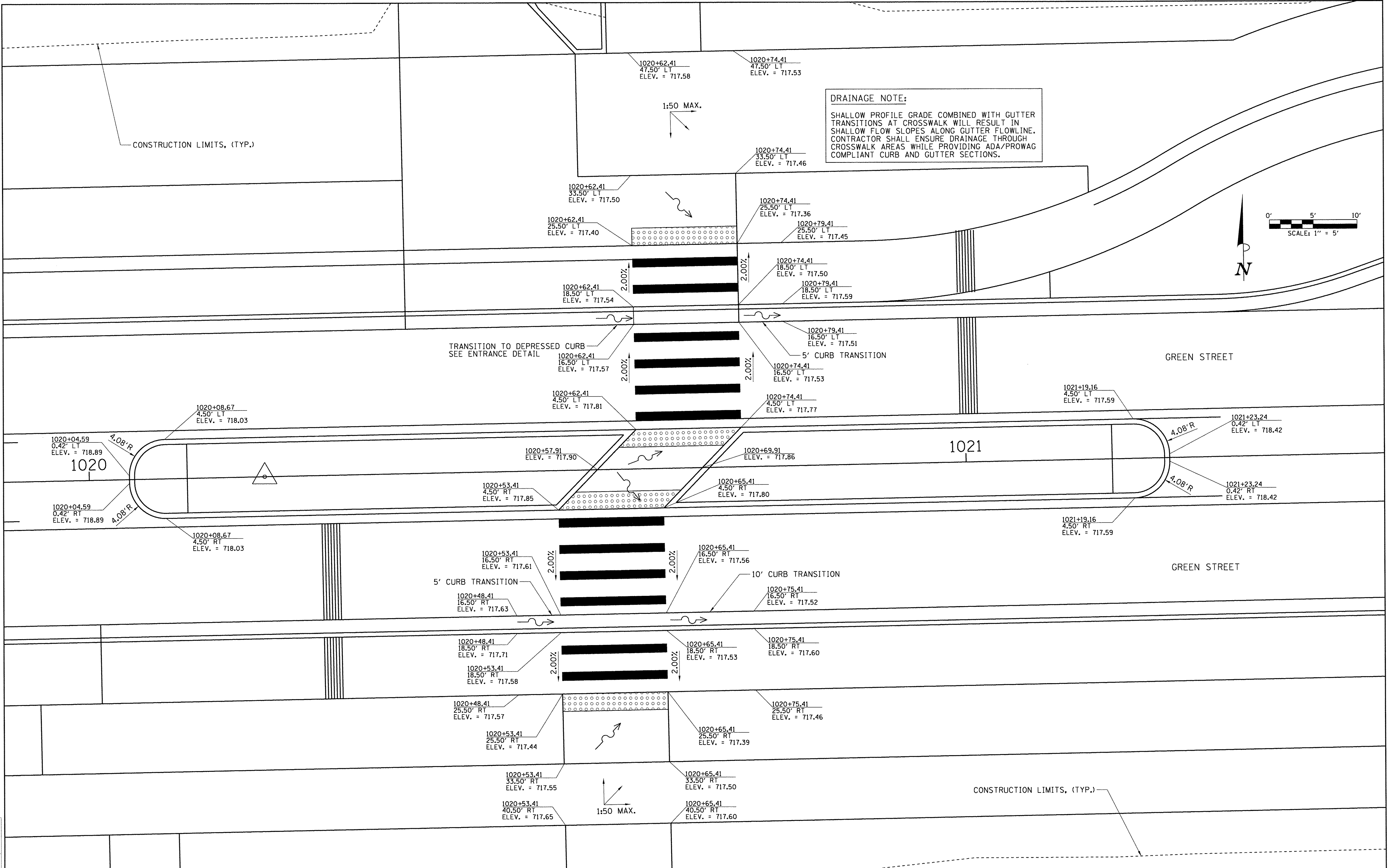
REVISED -
 REVISED -
 REVISED -
 REVISED -

STATE OF ILLINOIS
 DEPARTMENT OF TRANSPORTATION

PROJECT 1 - GREEN STREET
 MID-BLOCK CROSSING

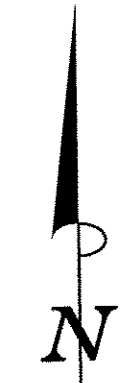
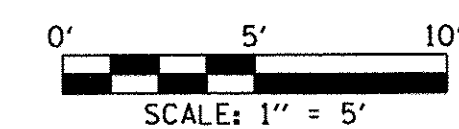
SCALE: 1"=5' SHEET NO. OF SHEETS STA. TO STA.

F.A.U. RTE.	SECTION	COUNTY	TOTAL SHEETS	SHEET NO.
7126	15-00304-01-PV	CHAMPAIGN	236	165
MCORE PROJECT 1			CONTRACT NO. 91539	
JOB NO. C-95-305-16 ILLINOIS FED. AID PROJECT TIG-51810571				



CONSTRUCTION LIMITS, (TYP.)

DRAINAGE NOTE:
 SHALLOW PROFILE GRADE COMBINED WITH GUTTER TRANSITIONS AT CROSSWALK WILL RESULT IN SHALLOW FLOW SLOPES ALONG GUTTER FLOWLINE. CONTRACTOR SHALL ENSURE DRAINAGE THROUGH CROSSWALK AREAS WHILE PROVIDING ADA/PROWAG COMPLIANT CURB AND GUTTER SECTIONS.

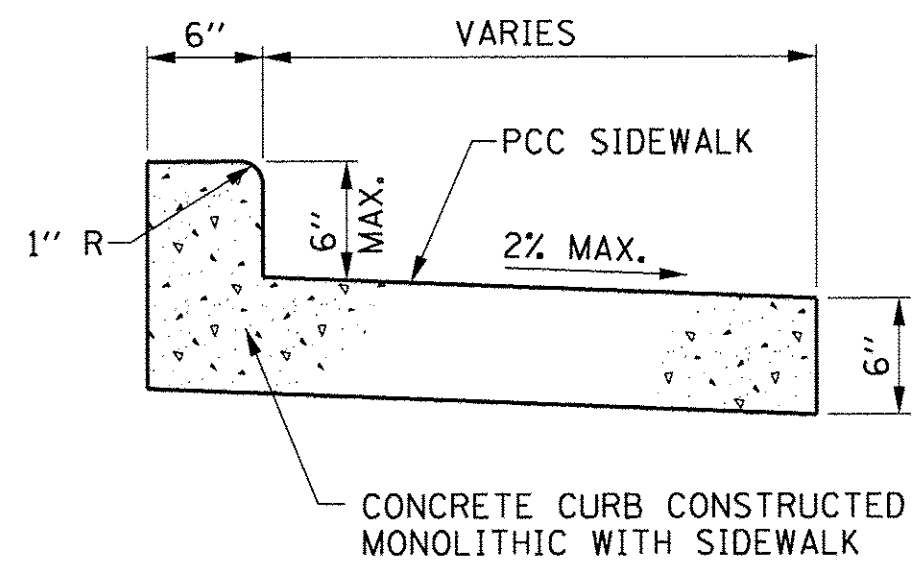
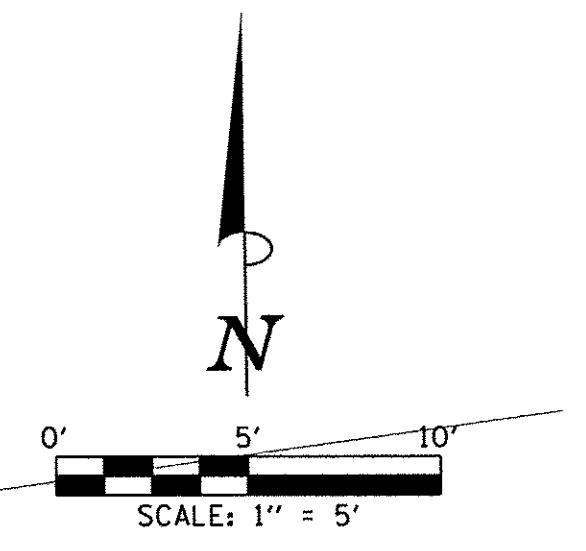


GREEN STREET

GREEN STREET

CONSTRUCTION LIMITS, (TYP.)

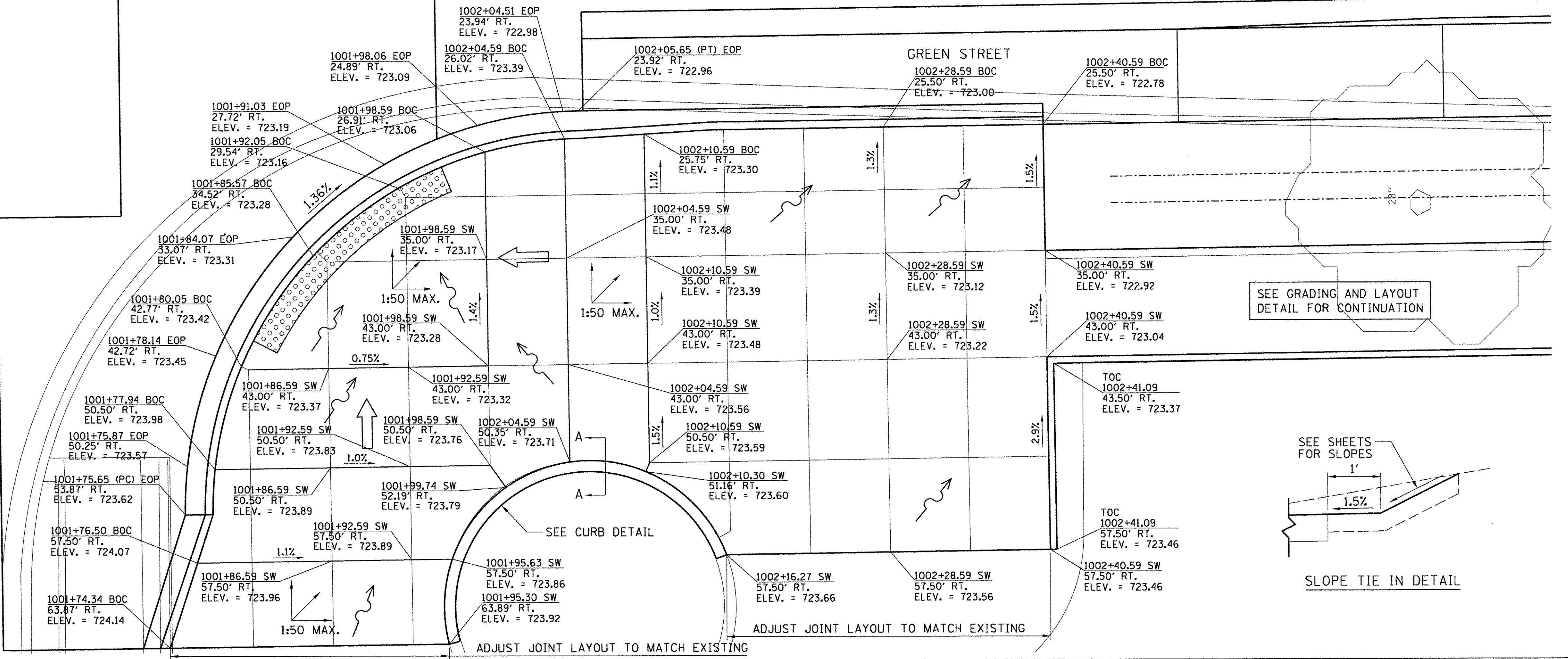
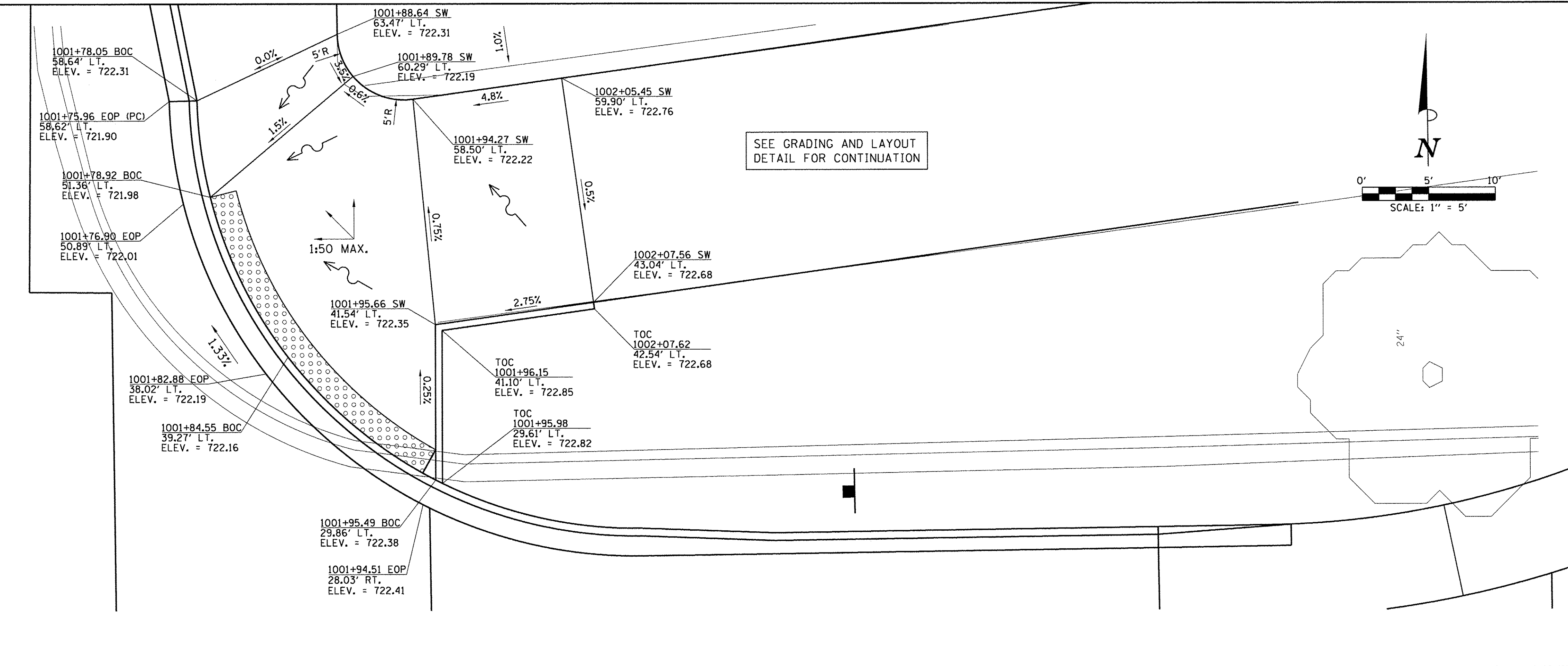
LEGEND
 TOC = TOP OF CURB
 BOC = BACK OF CURB
 EOP = EDGE OF PAVEMENT
 SW = SIDEWALK



NOTES:
 1. CURB HEIGHT AND SHAPE SHALL MATCH EXISTING CURB TO REMAIN. THIS WORK WILL BE PAID FOR AS PCC SIDEWALK 6 INCH AT THE CONTRACT UNIT PRICE PER SQUARE FOOT OF TOP SURFACE AREA INCLUDING THE TOP SURFACE AREA OF THE CURB. THE COST OF CONSTRUCTING THE CURB TO THE HEIGHT SHOWN SHALL BE INCLUDED IN THE COST OF THE SIDEWALK. ADJUST JOINTING TO MATCH THE EXISTING CURB TO BE REPLACED.

SECTION A-A
 MONOLITHIC SIDEWALK CURB DETAIL

NOTE:
 JOINTING SHOWN IS APPROXIMATED BASED UPON AVAILABLE INFORMATION. JOINTING SHALL BE MODIFIED IN THE FIELD TO MATCH EXISTING JOINTING IN THE SOUTHEAST QUADRANT OF GREEN ST. AND WRIGHT ST.



BAB	11/24/15
CLS	2/4/16
MOD	3/22/16

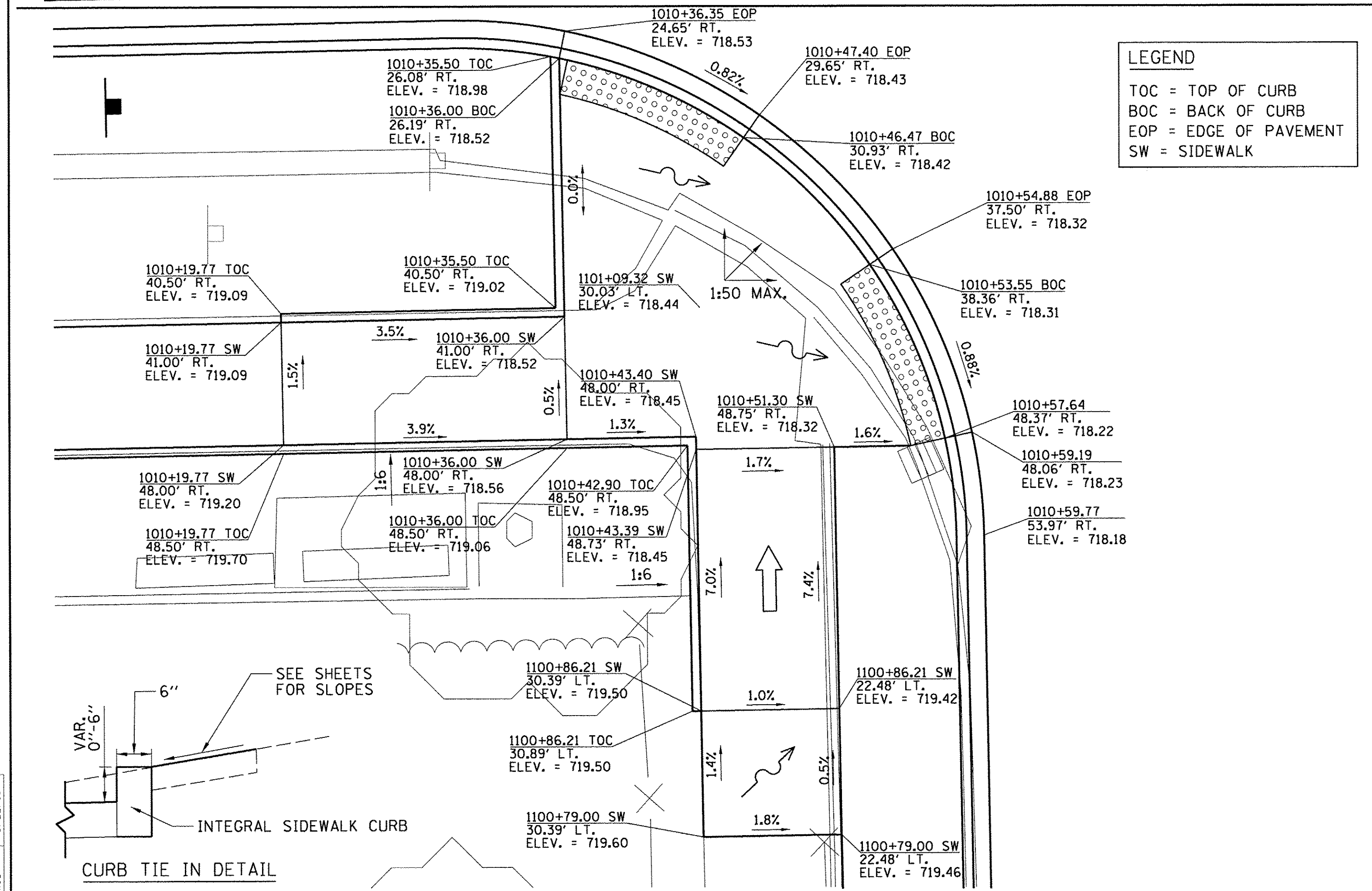
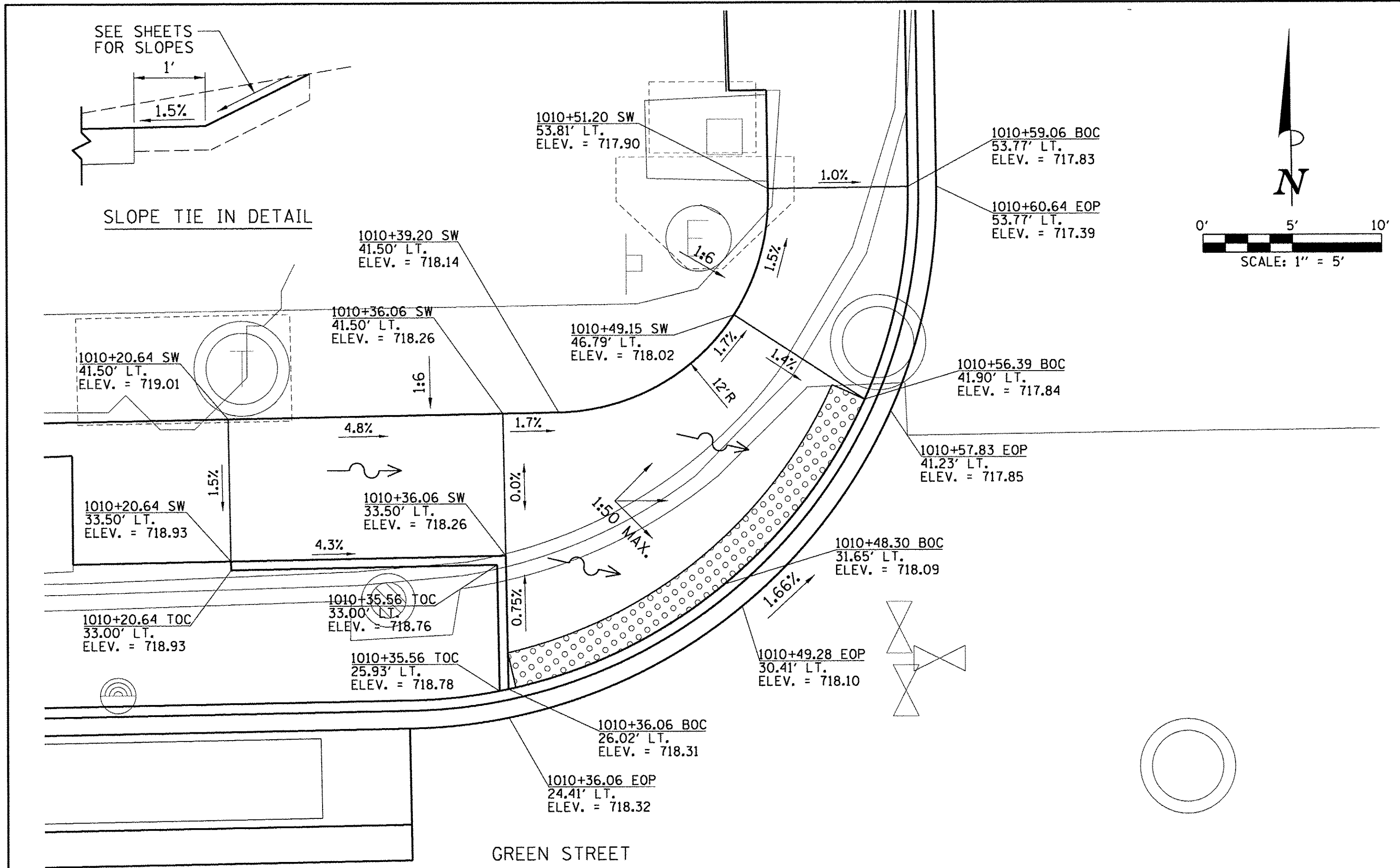
FILE NAME = Z:\Plans\sheets\Project1\p1-sht-rampdet01.dgn
 PLOT DATE = 8/25/2016 1:51:05 PM

DESIGNED -	BAB	REVISED -	
DRAWN -	CLS	REVISED -	
CHECKED -	MGD	REVISED -	
DATE -	8/26/2016	REVISED -	

STATE OF ILLINOIS
 DEPARTMENT OF TRANSPORTATION

PROJECT 1 - GREEN STREET & WRIGHT STREET
 SIDEWALK RAMP DETAILS
 SCALE: 1"=5' SHEET NO. OF SHEETS STA. TO STA.

F.A.U. RTE.	SECTION	COUNTY	TOTAL SHEETS	SHEET NO.
7126	15-00304-01-PV	CHAMPAIGN	236	166
MCORE PROJECT 1			CONTRACT NO. 91539	
JOB NO. C-95-305-16 ILLINOIS FED. AID PROJECT TIC-51810571				

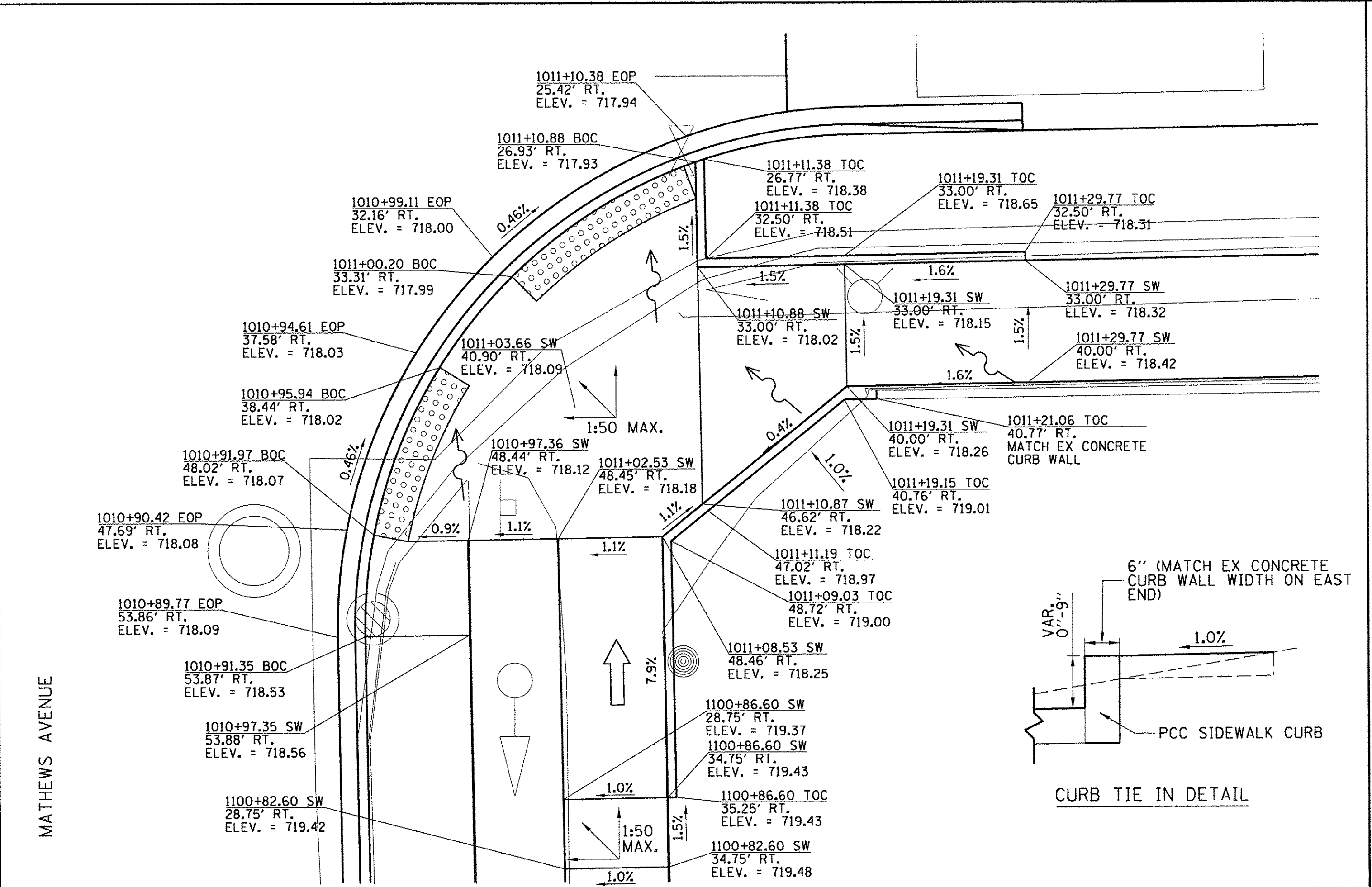
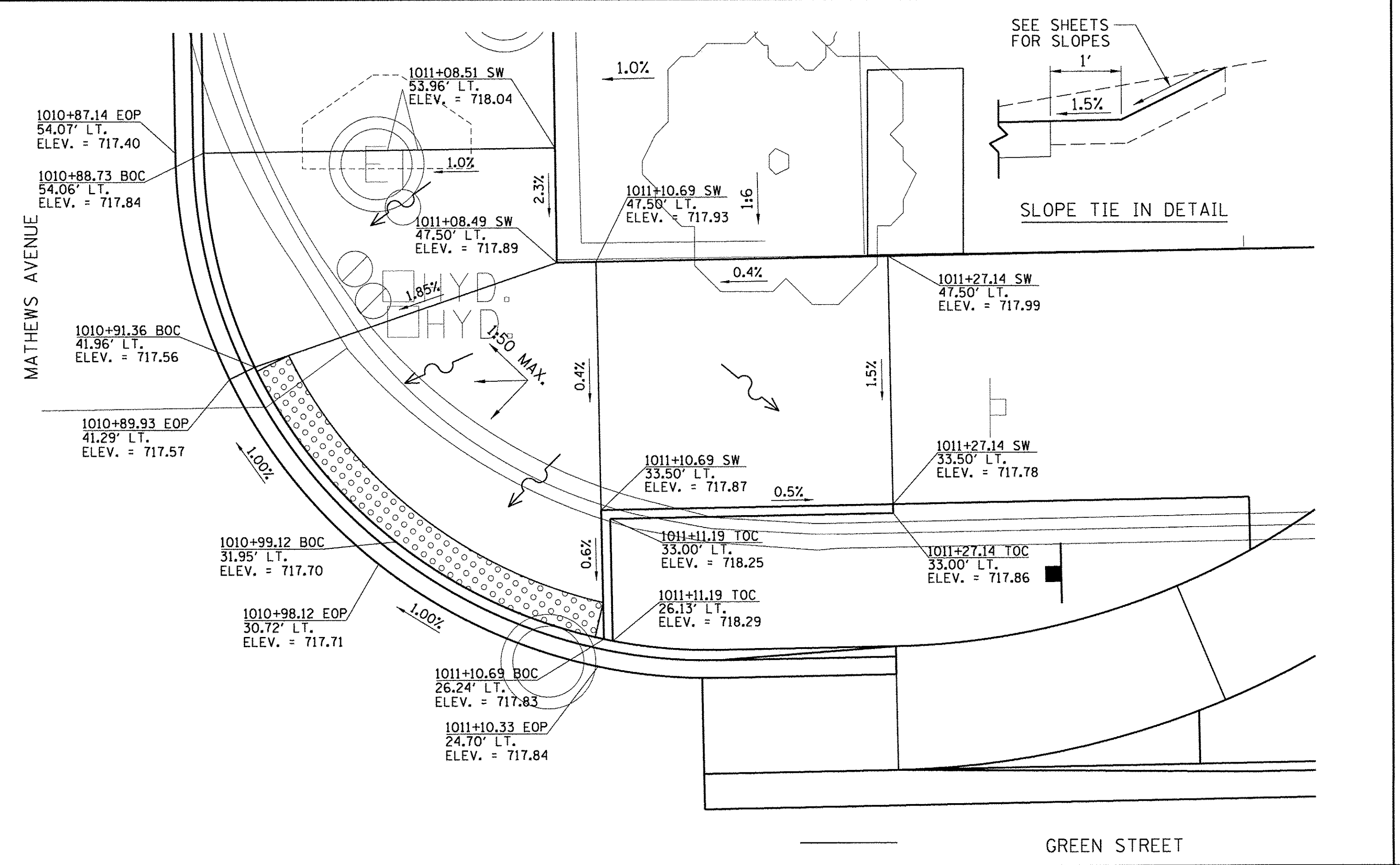


FILE NAME =	DESIGNED -	REVISD -
Z:\Plans\Sheets\Project1\P1-sht-rampdet02.dgn	BAB	
PLOT DATE =	DRAWN -	REVISD -
8/25/2016 1:51:09 PM	CLS	
	CHECKED -	REVISD -
	MGD	
	DATE -	REVISD -
	8/26/2016	

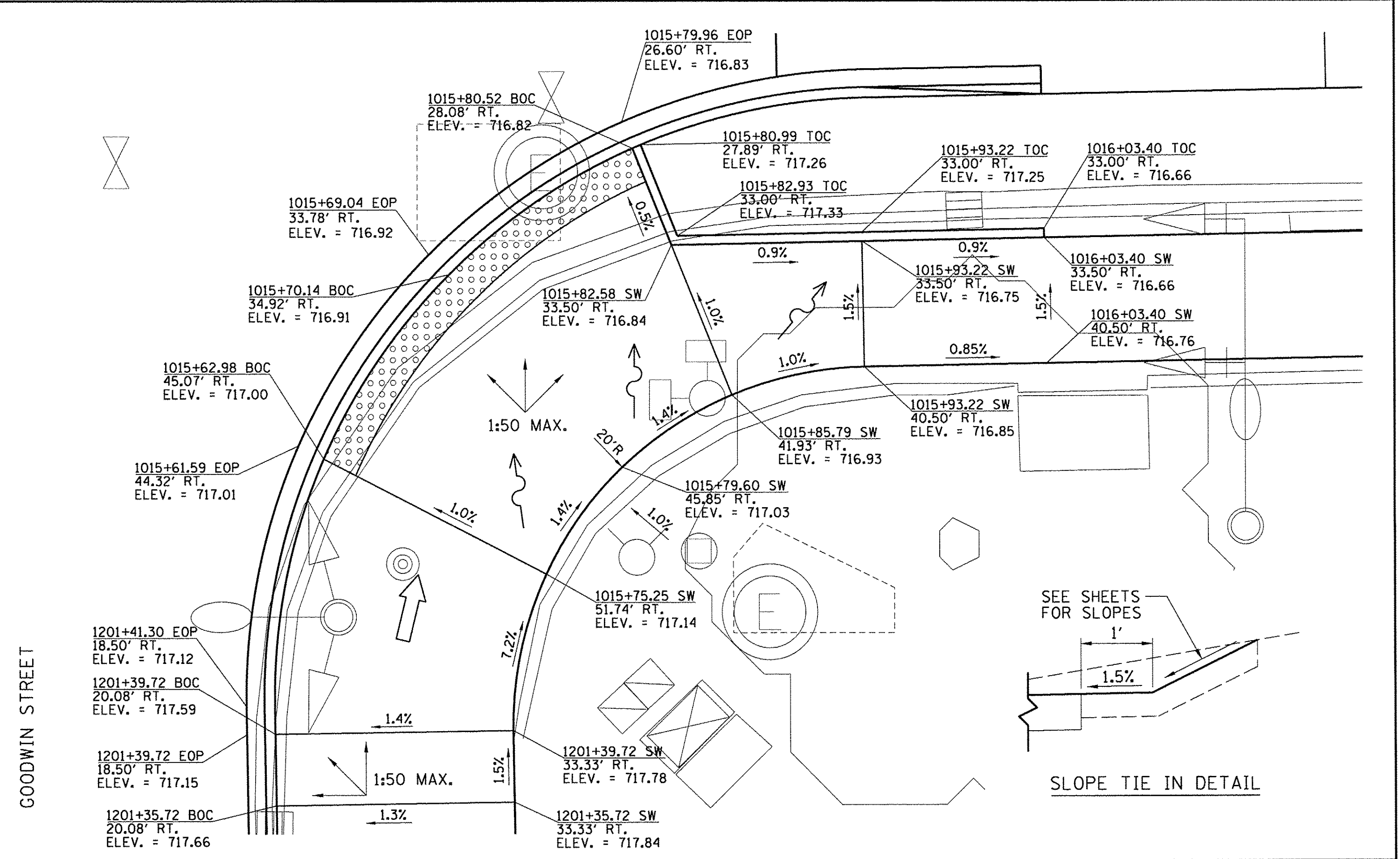
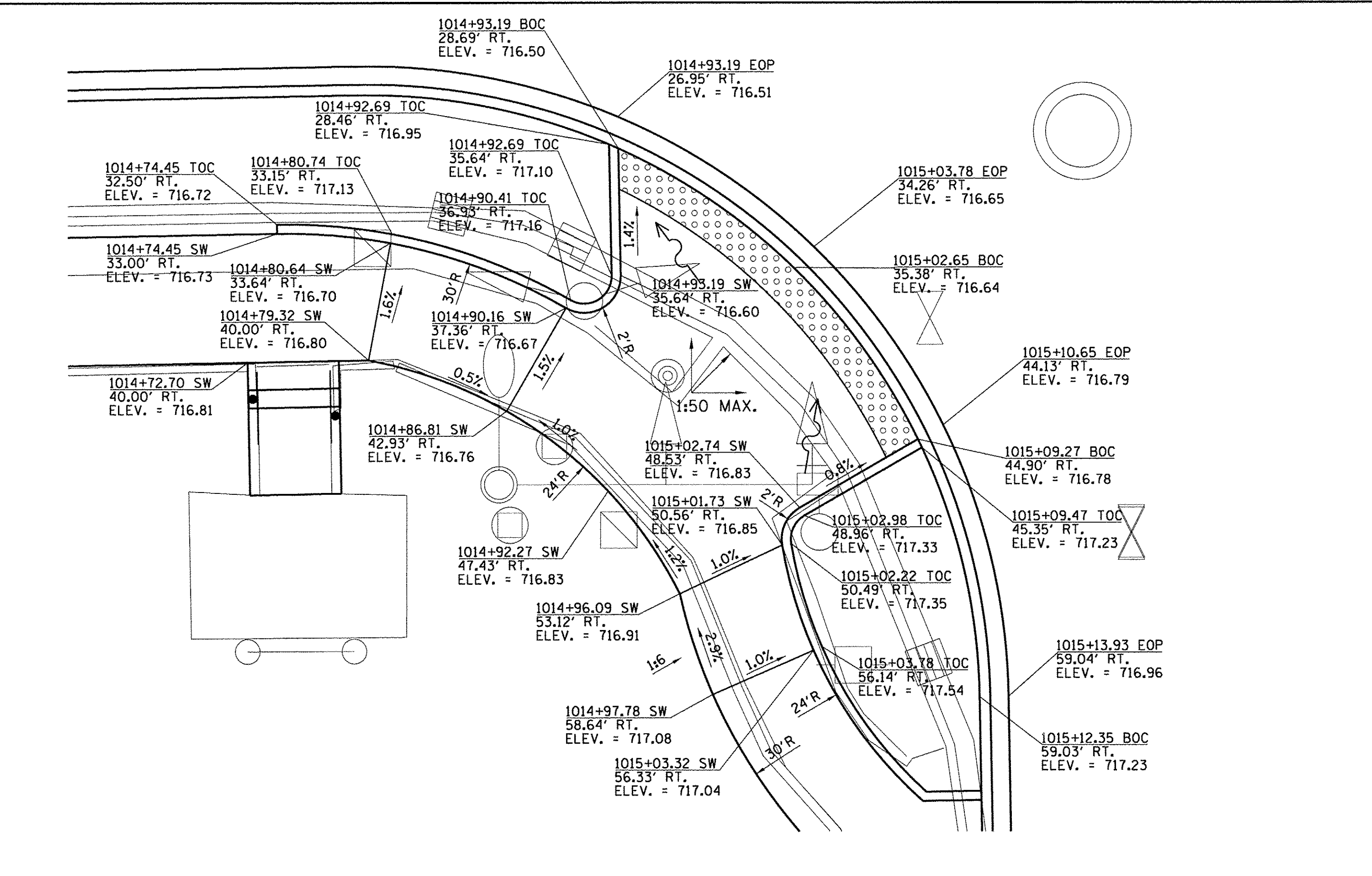
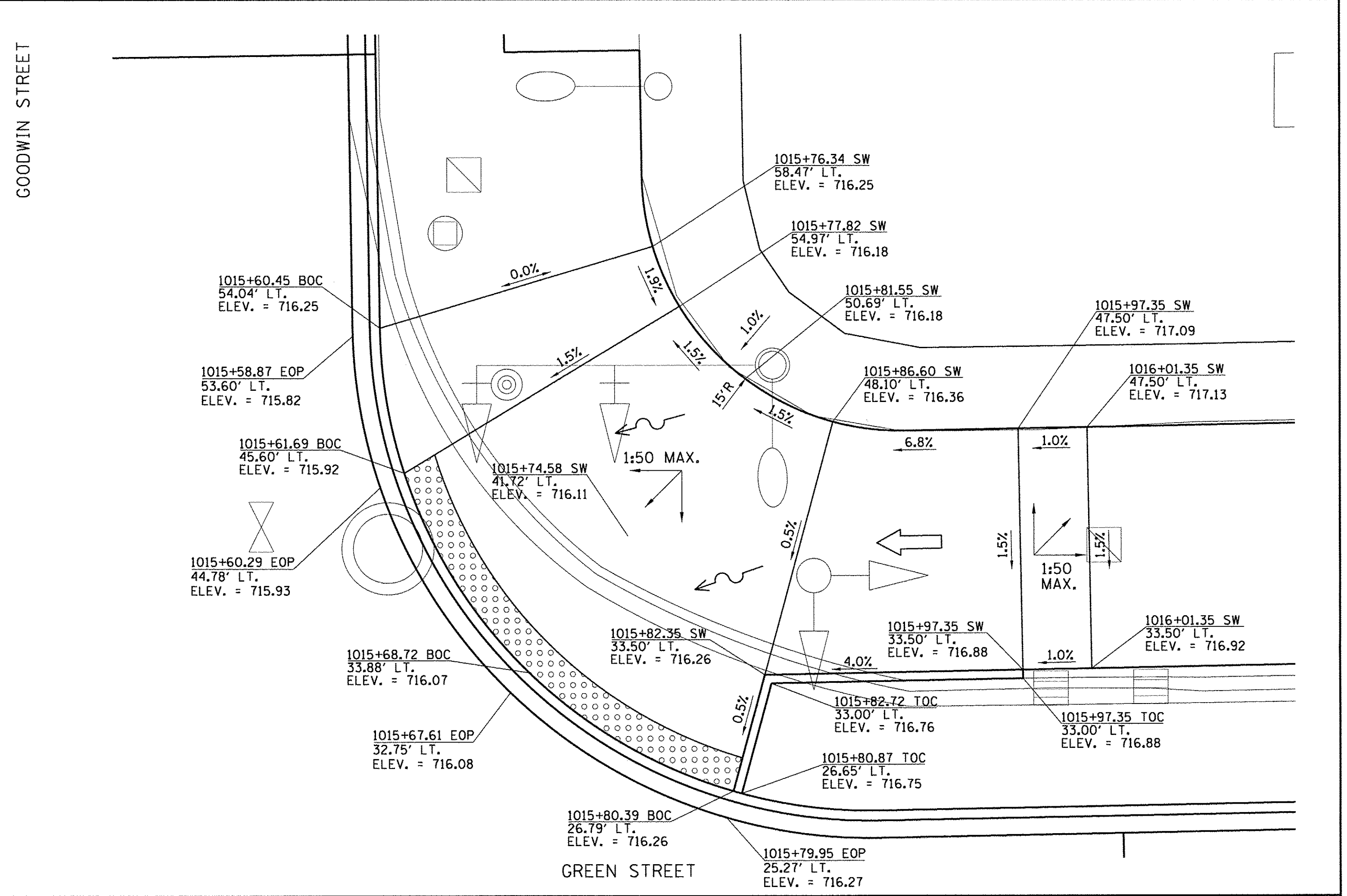
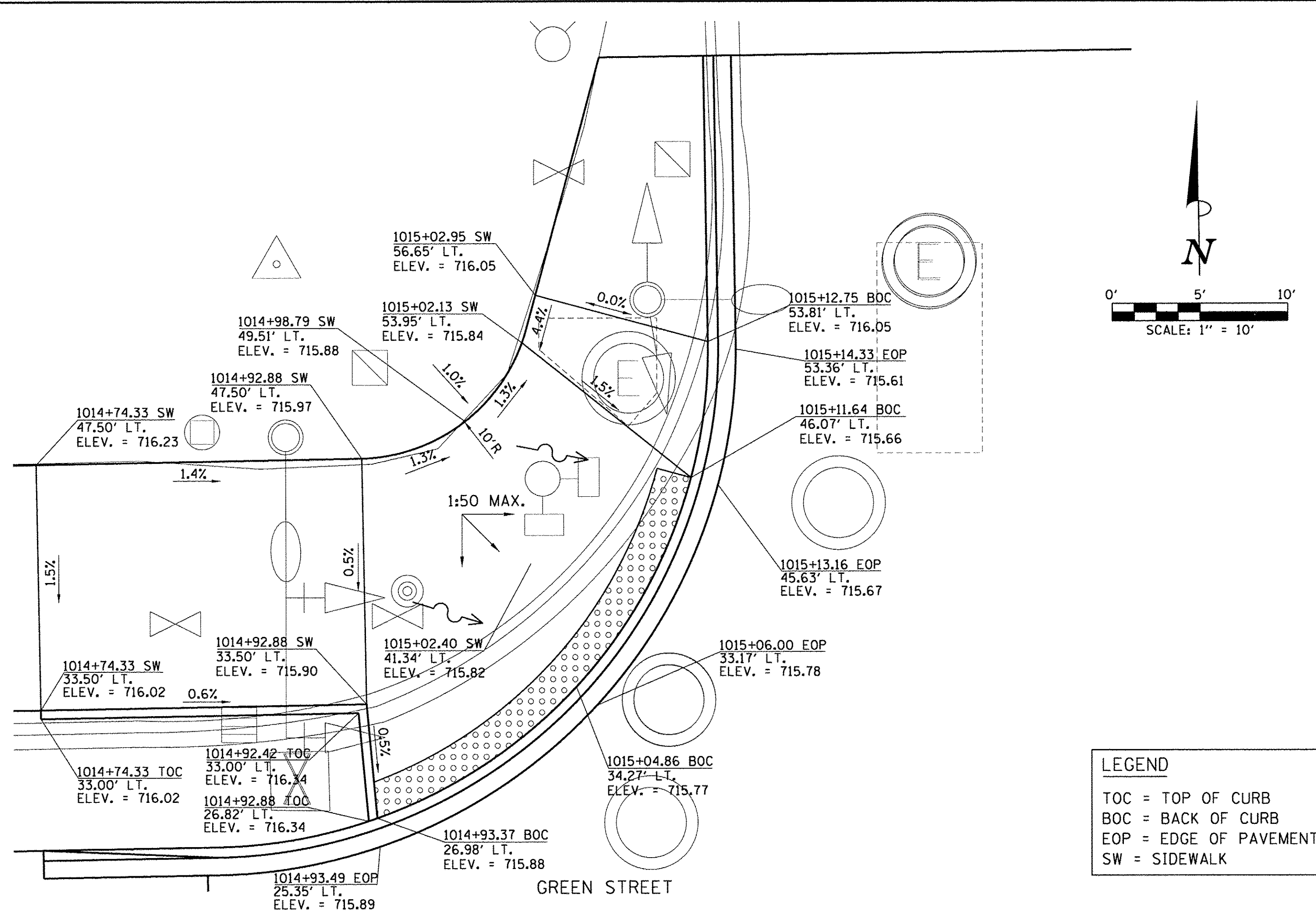
STATE OF ILLINOIS
 DEPARTMENT OF TRANSPORTATION

**PROJECT 1 - GREEN STREET & MATHEWS AVENUE
 SIDEWALK RAMP DETAILS**

SCALE: 1"=5' SHEET NO. OF SHEETS STA. TO STA.



F.A.U. RTE.	SECTION	COUNTY	TOTAL SHEETS	SHEET NO.
7126	15-00304-01-PV	CHAMPAIGN	236	167
MCORE PROJECT 1		CONTRACT NO. 91539		
JOB NO. C-95-305-16 ILLINOIS FED. AID PROJECT TIC-5181057				



LAYOUT	BAB	11/24/15
DRAWN	CLS	2/4/16
REVIEWED	MCD	3/22/16

FILE NAME =	Z:\Plans\Sheets\Project1\PI1-sht-rampdet03.dgn
PLOT DATE =	8/25/2016 1:51:12 PM

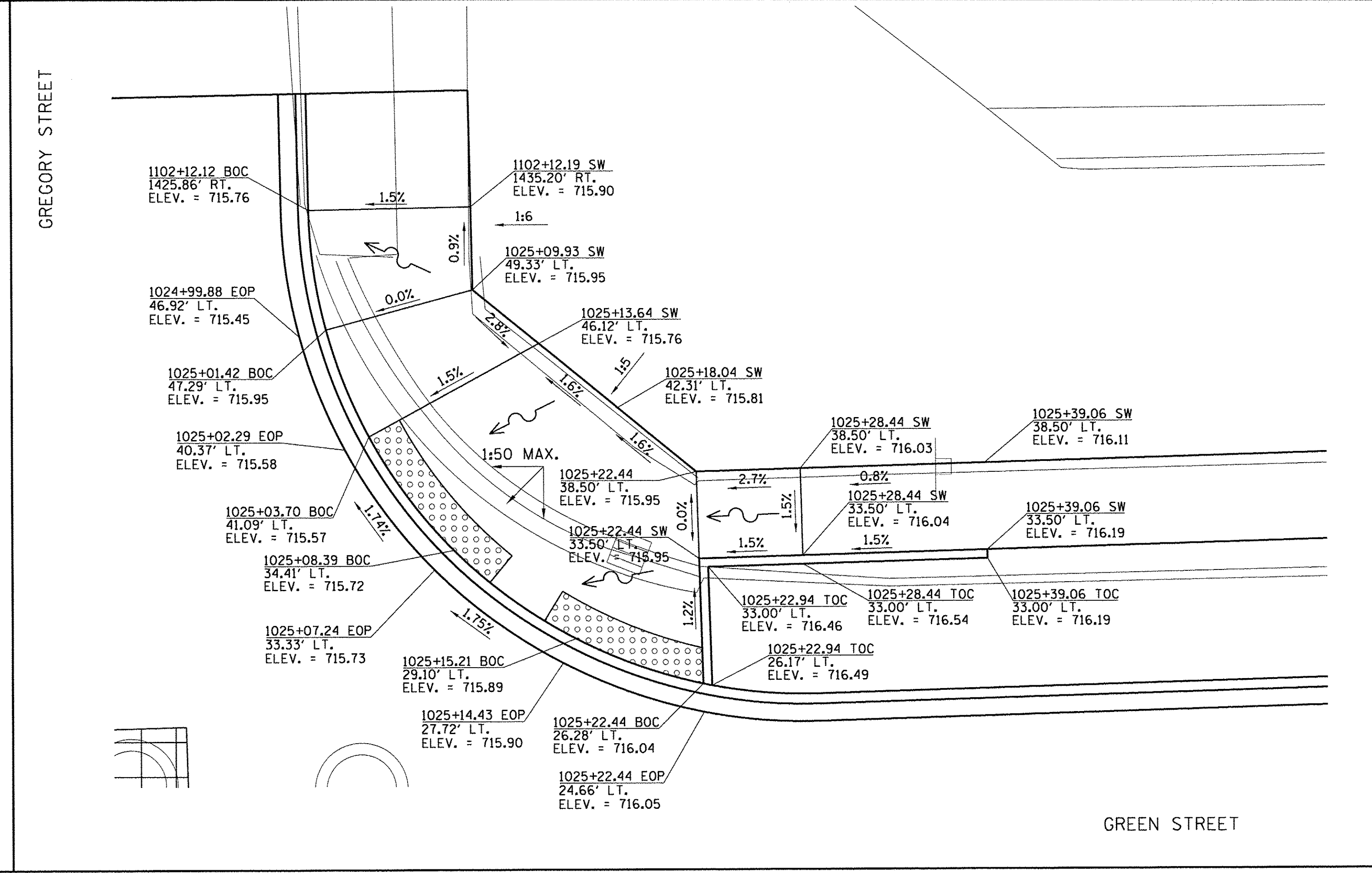
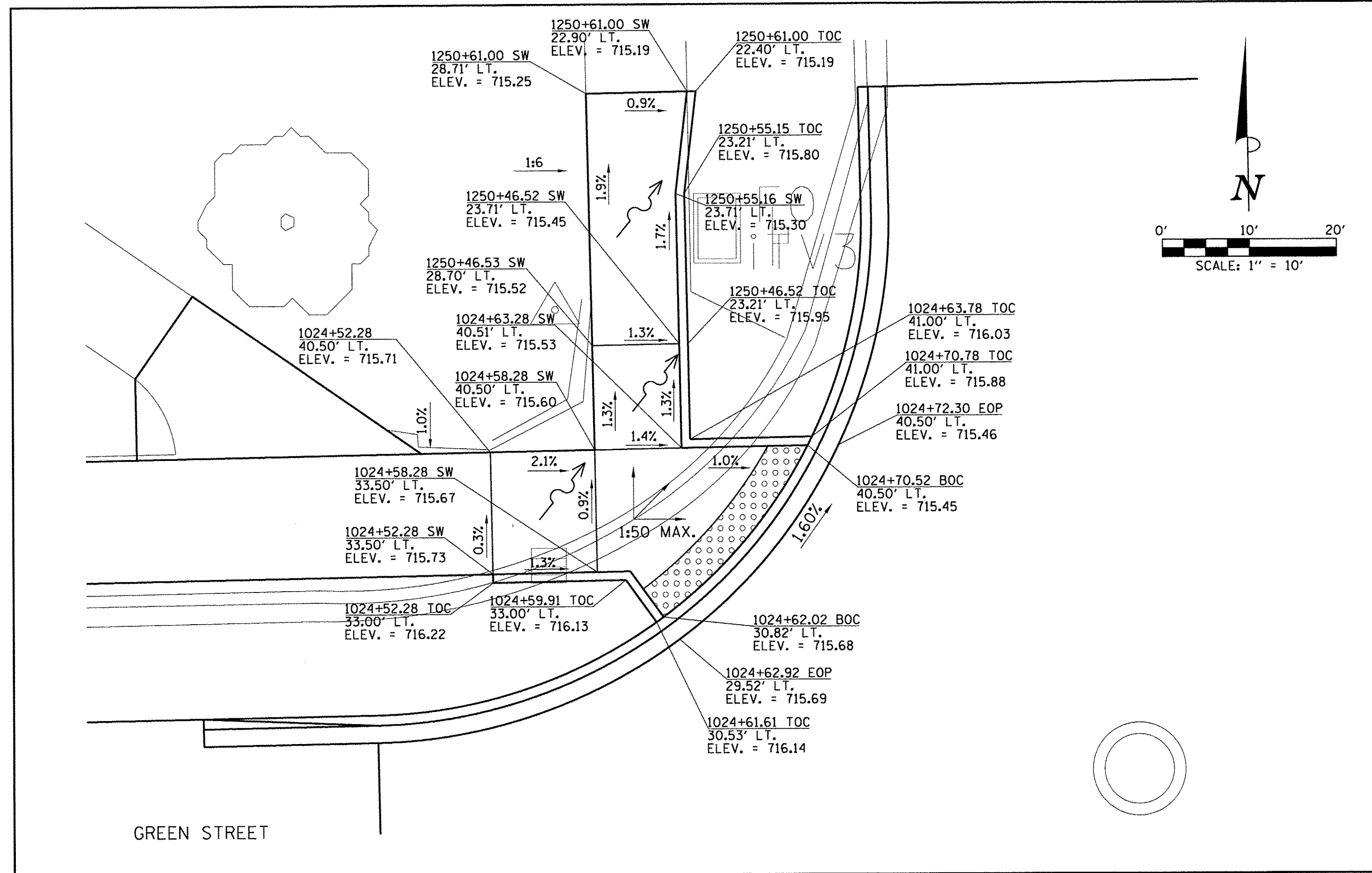
DESIGNED -	BAB	REVISED -	
DRAWN -	CLS	REVISED -	
CHECKED -	MCD	REVISED -	
DATE -	8/26/2016	REVISED -	

STATE OF ILLINOIS
DEPARTMENT OF TRANSPORTATION

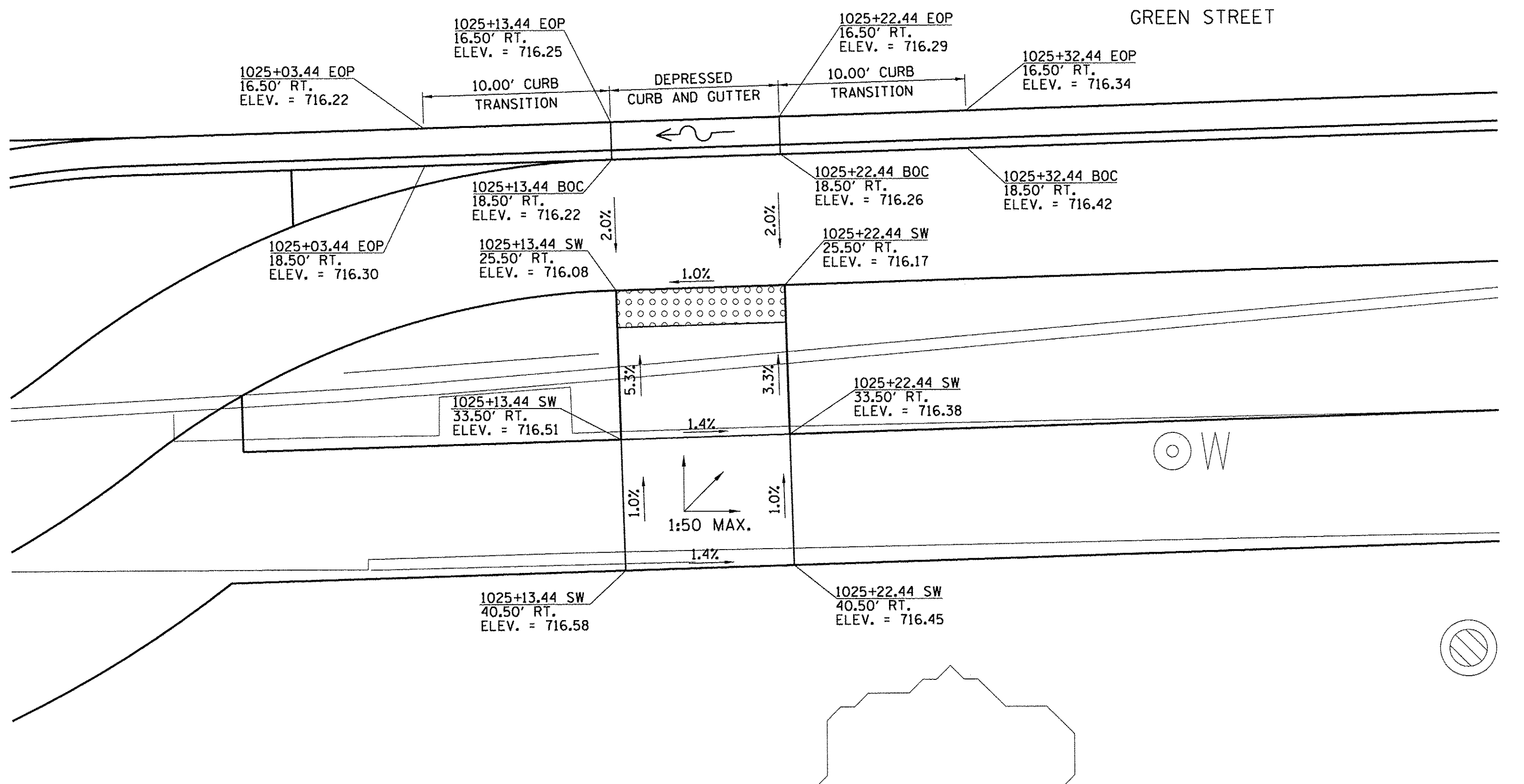
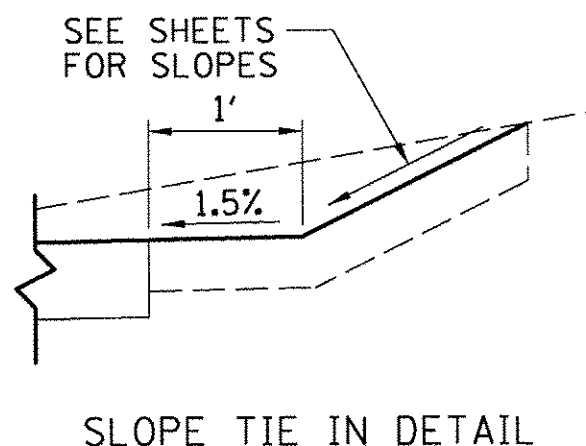
PROJECT 1 - GREEN STREET & GOODWIN AVENUE
SIDEWALK RAMP DETAILS

F.A.U. RTE.	SECTION	COUNTY	TOTAL SHEETS	SHEET NO.
7126	15-00304-01-PV	CHAMPAIGN	236	168
CORE PROJECT 1			CONTRACT NO. 91539	
JOB NO. C-95-305-16 ILLINOIS FED. AID PROJECT TIG-5181057				

SCALE: 1"=5' SHEET NO. OF SHEETS STA. TO STA.



LEGEND
 TOC = TOP OF CURB
 BOC = BACK OF CURB
 EOP = EDGE OF PAVEMENT
 SW = SIDEWALK



LAYOUT	BAB	11/24/15
DRAWN	CLS	2/4/16
REVIEWED	MGD	3/22/16

FILE NAME =	Z:\Plans\sheets\Project\1P1-sht-rampdet04.dgn
PLOT DATE =	8/25/2016 1:51:16 PM

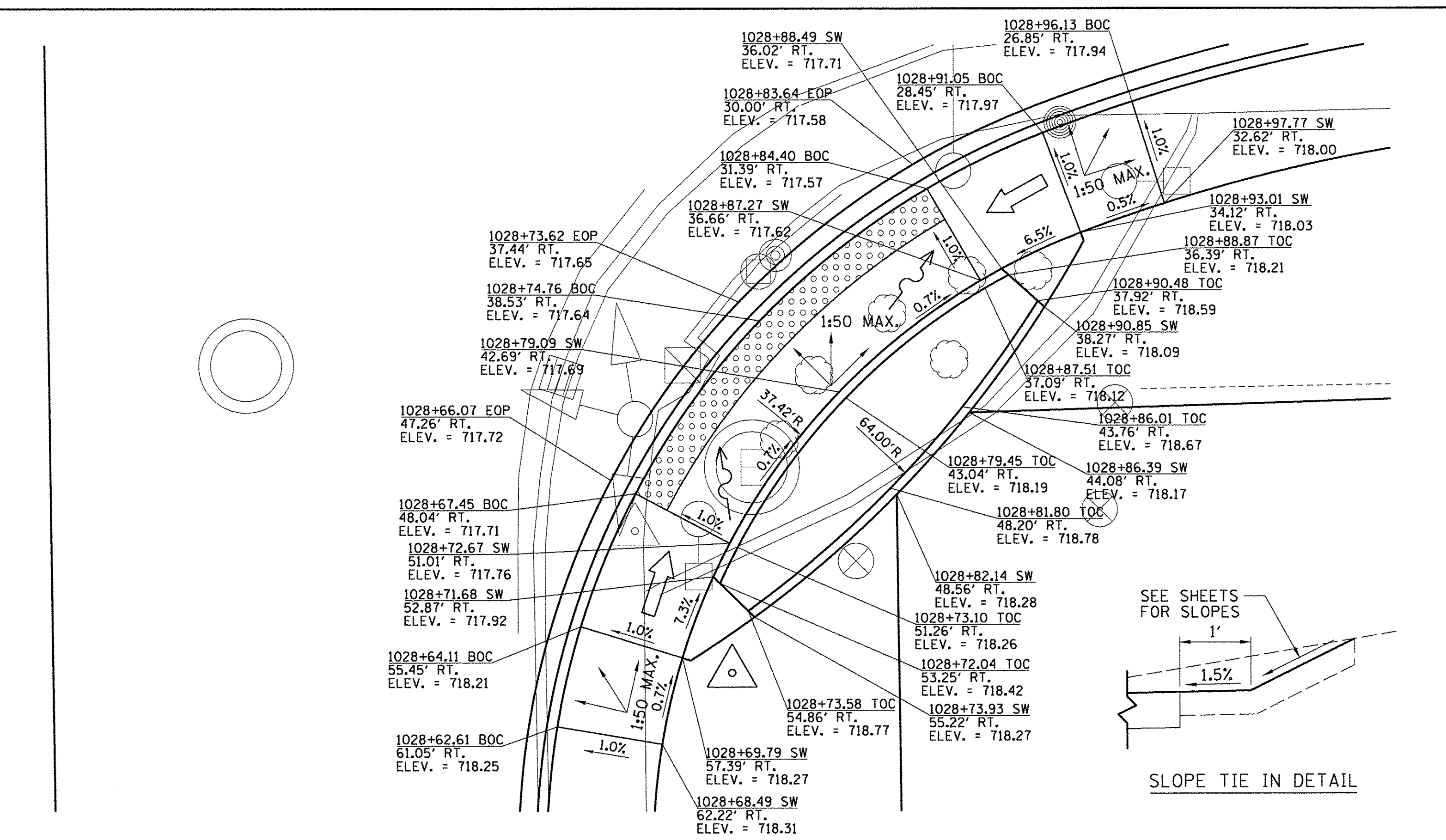
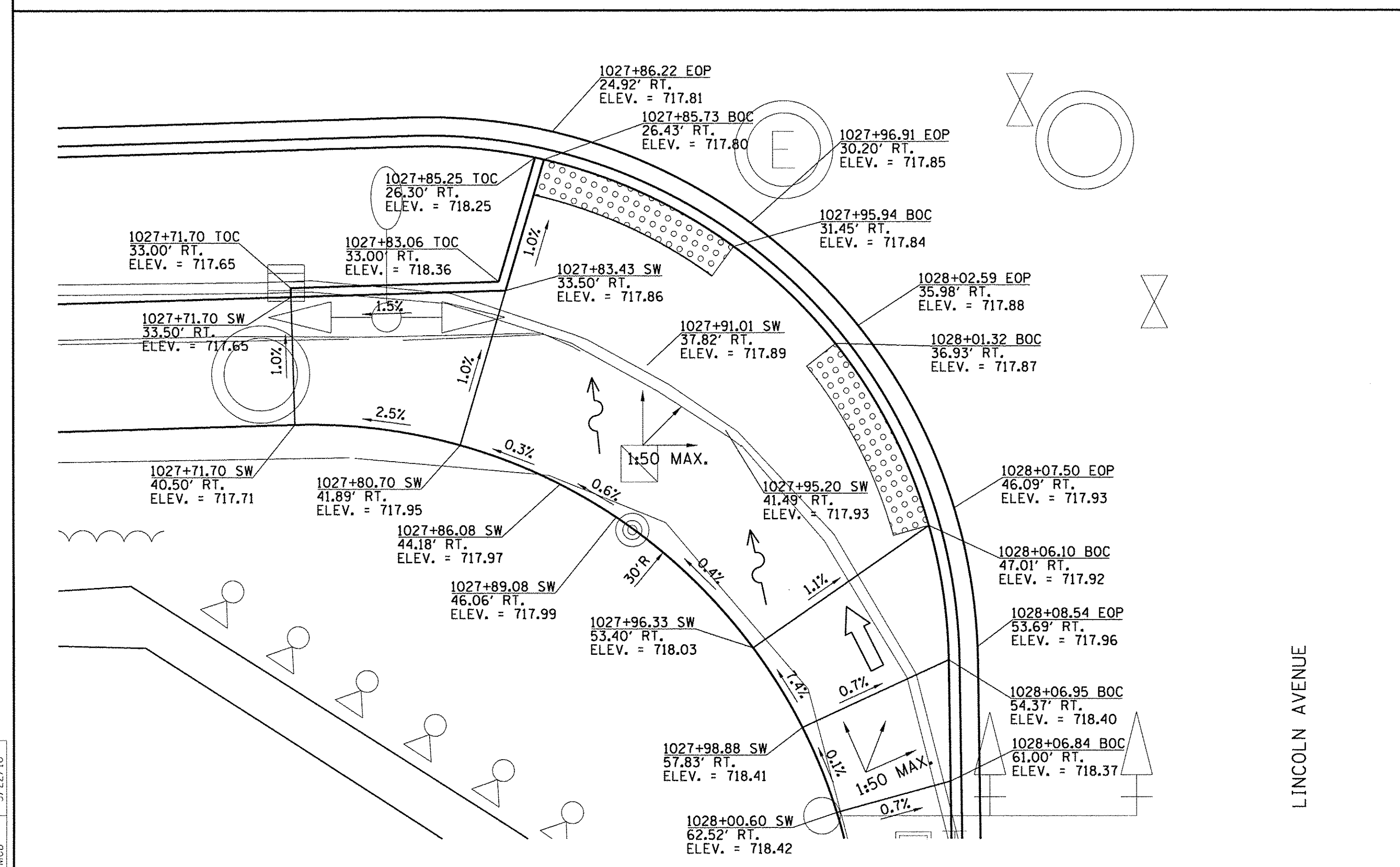
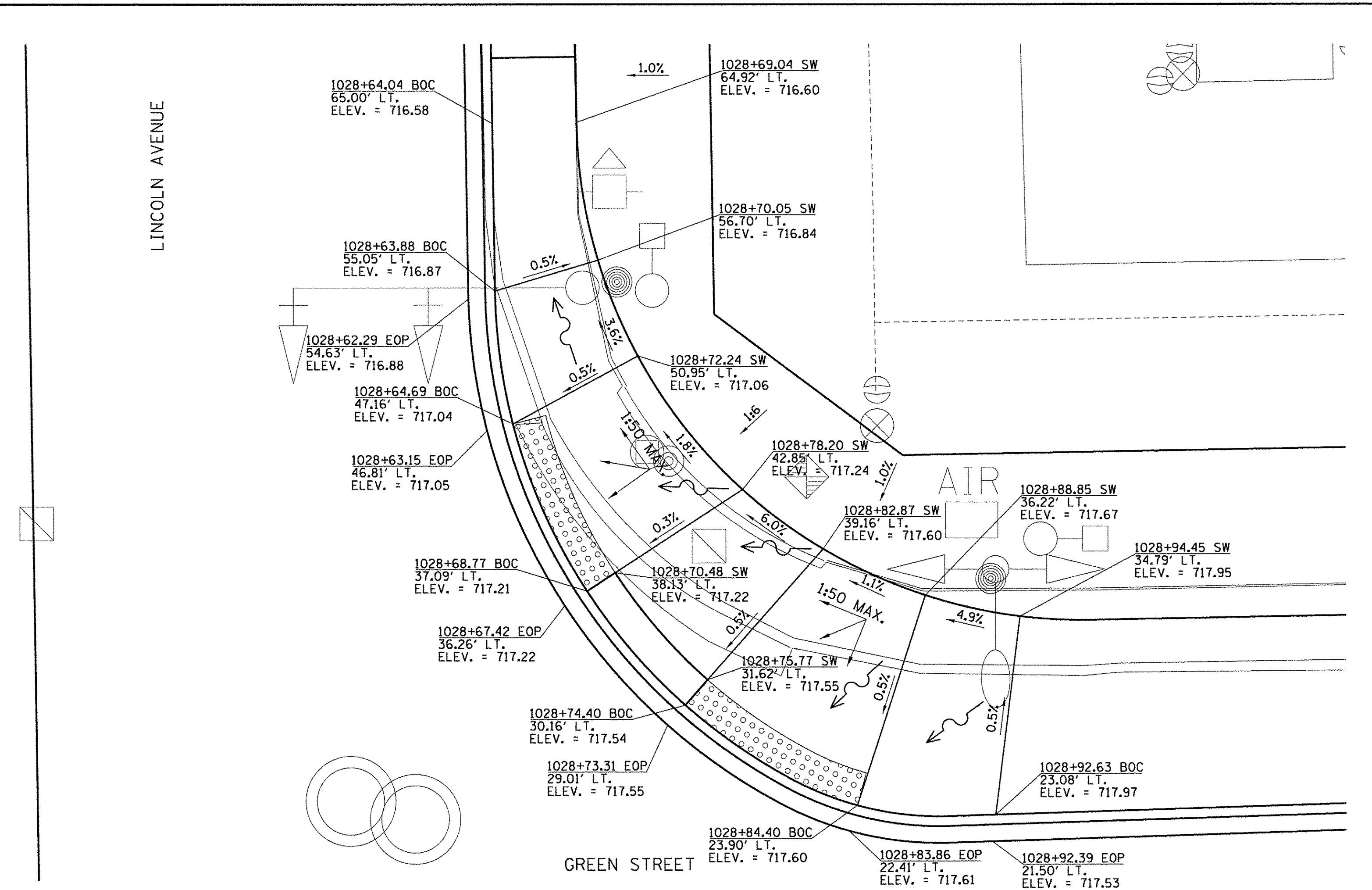
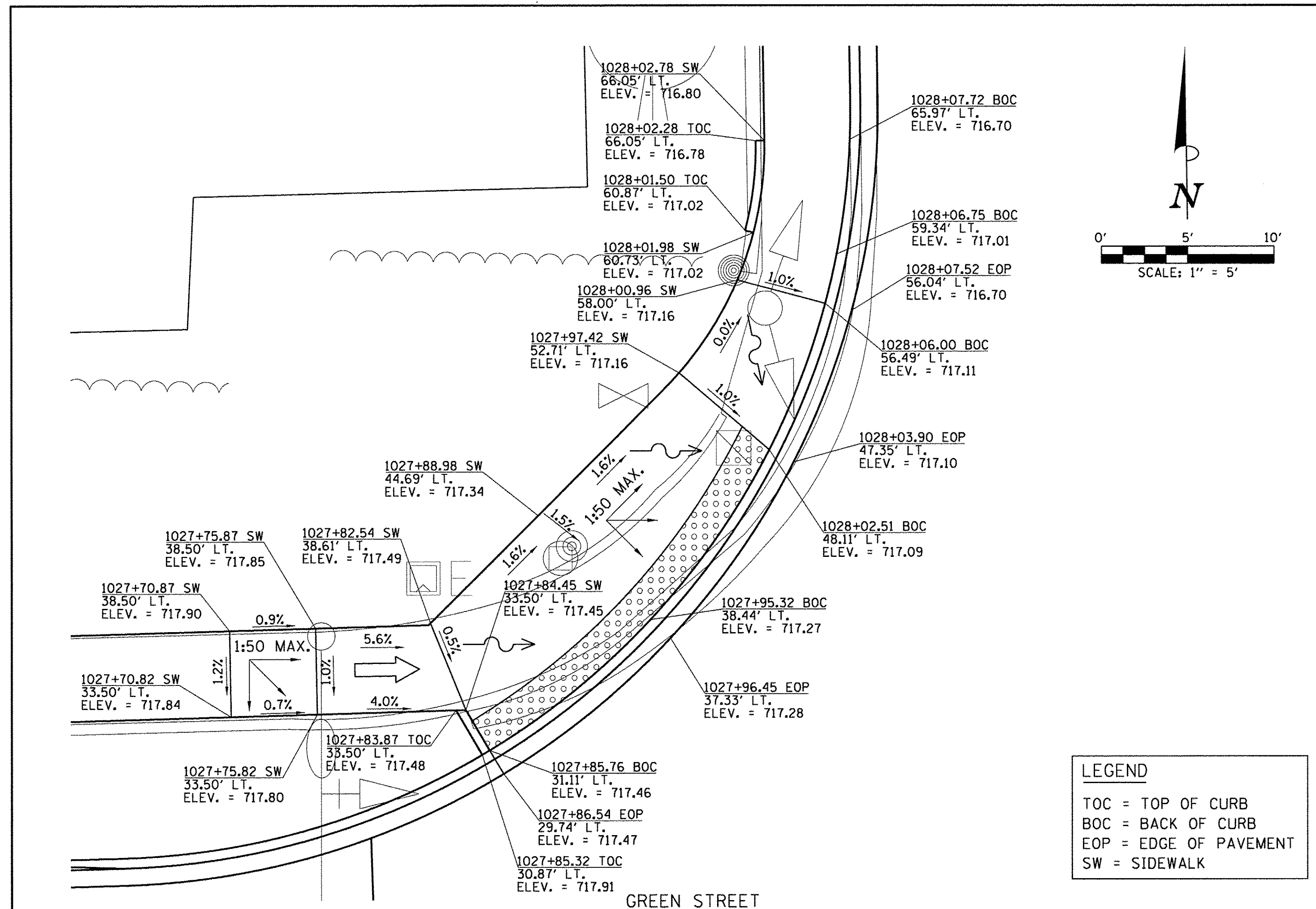
DESIGNED -	BAB	REVISED -	
DRAWN -	CLS	REVISED -	
CHECKED -	MGD	REVISED -	
DATE -	8/26/2016	REVISED -	

STATE OF ILLINOIS
 DEPARTMENT OF TRANSPORTATION

PROJECT 1 - GREEN STREET & GREGORY STREET
 SIDEWALK RAMP DETAILS

F.A.U. RTE.	SECTION	COUNTY	TOTAL SHEETS	SHEET NO.
7126	15-00304-01-PV	CHAMPAIGN	236	169
MCORE PROJECT 1			CONTRACT NO. 91539	
JOB NO. C-95-305-16 ILLINOIS FED. AID PROJECT TIG-5181057				

SCALE: 1"=5'	SHEET NO.	OF SHEETS	STA.	TO STA.
--------------	-----------	-----------	------	---------



LAYOUT	BAB	11/24/15
DRAWN	CLS	2/4/16
REVIEWED	MGD	3/22/16

FILE NAME =	Z:\Plans\sheets\Project1\11-sht-rampdet05.dgn
PLOT DATE =	8/25/2016 1:51:20 PM

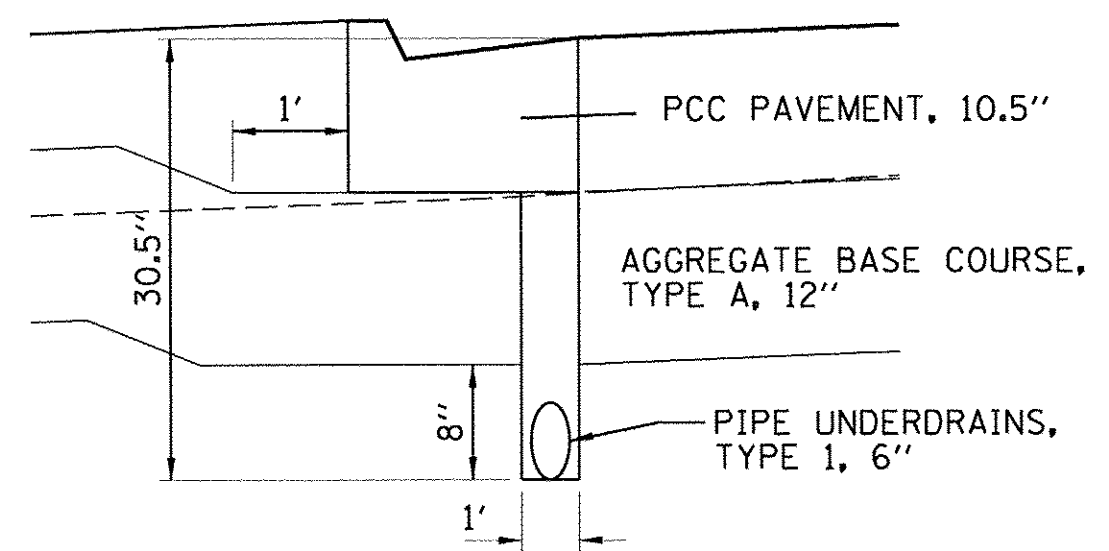
DESIGNED -	BAB	REVISED -	
DRAWN -	CLS	REVISED -	
CHECKED -	MGD	REVISED -	
DATE	8/26/2016	REVISED -	

STATE OF ILLINOIS
 DEPARTMENT OF TRANSPORTATION

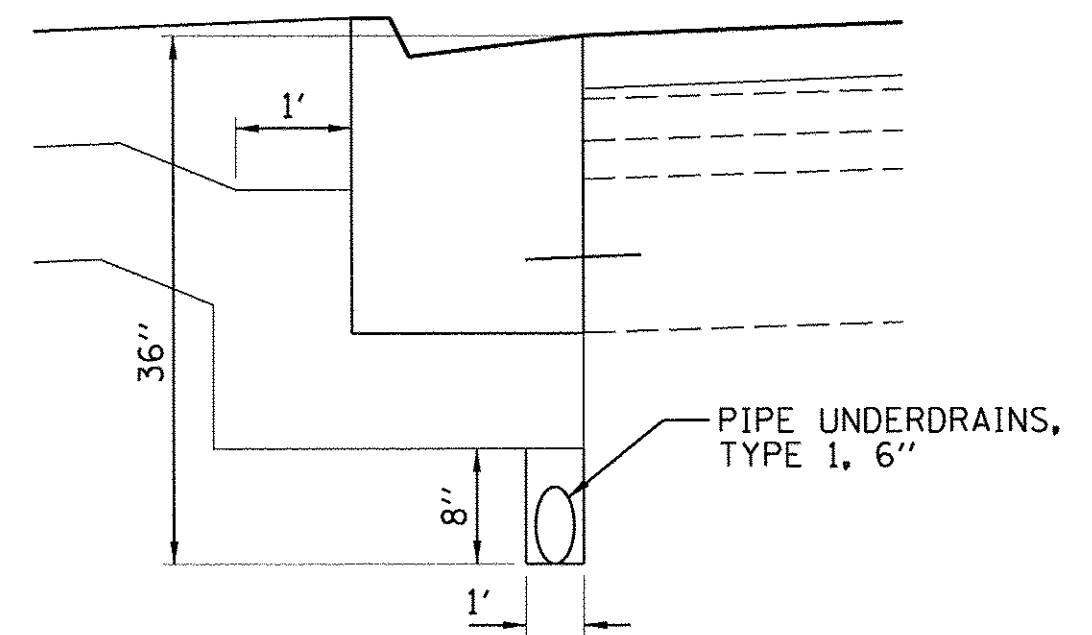
PROJECT 1 - GREEN STREET & LINCOLN AVENUE
 SIDEWALK RAMP DETAILS

F.A.U. RTE.	SECTION	COUNTY	TOTAL SHEETS	SHEET NO.
7126	15-00304-01-PV	CHAMPAIGN	236	170
MCORE PROJECT 1			CONTRACT NO. 91539	
JOB NO. C-95-305-16 ILLINOIS FED. AID PROJECT TIG-51810571				

SCALE: 1"=5' SHEET NO. OF SHEETS STA. TO STA.



ADJACENT TO FULL DEPTH PCC PAVEMENT

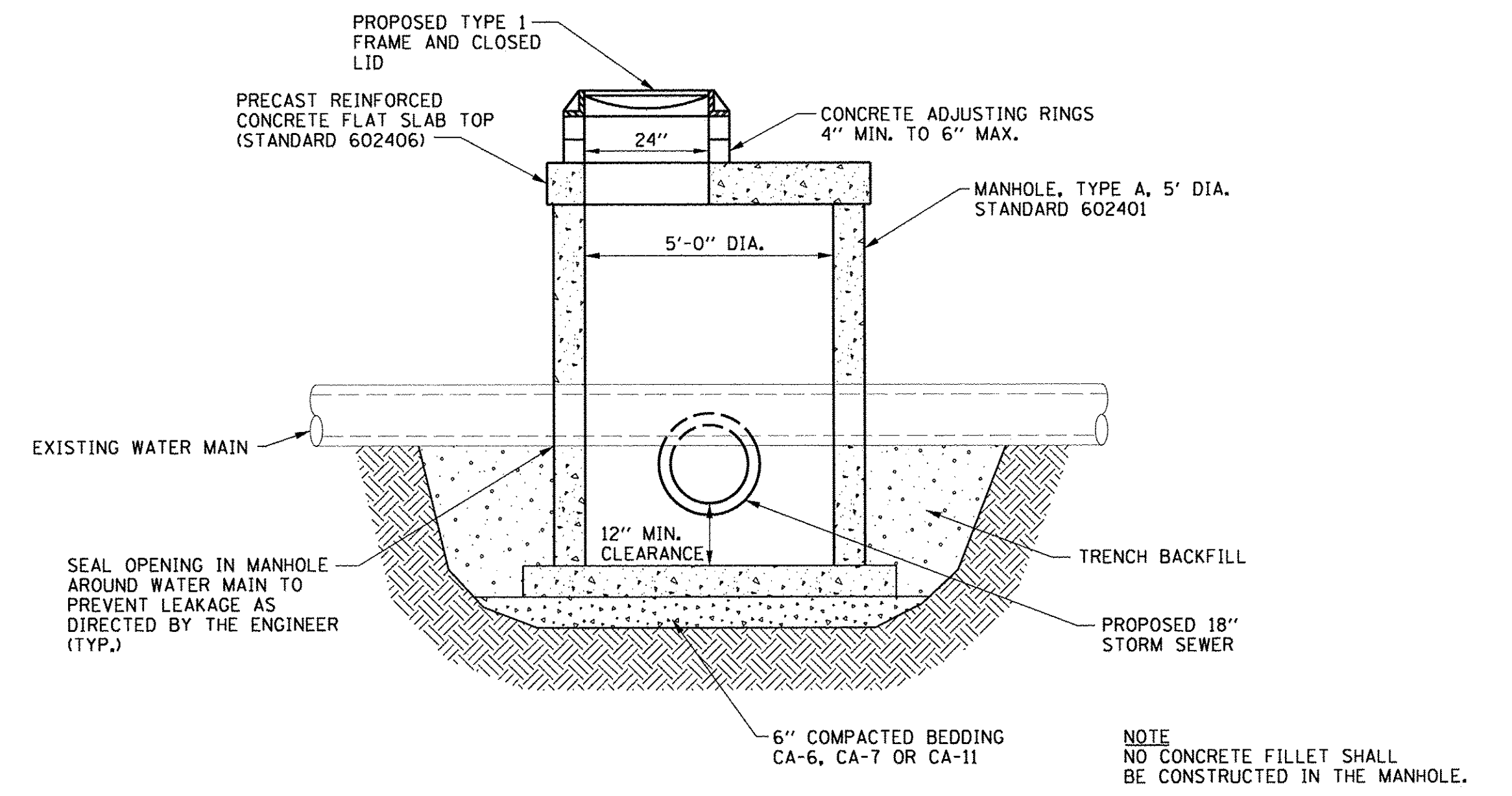


ADJACENT TO EXISTING PAVEMENT TO REMAIN

NOTES:

1. PIPE UNDERDRAINS SHALL BE CONSTRUCTED TO MATCH THE EDGE OF PAVEMENT PROFILE AND SHALL CONNECT TO EACH INLET AND MANHOLE WITH NON-SHRINK GROUT. SEE SPECIAL PROVISIONS FOR ADDITIONAL INFORMATION.
2. STORM SEWER STRUCTURES SHALL HAVE 8" PRECAST OPENINGS FOR PIPE UNDERDRAIN CONNECTIONS.

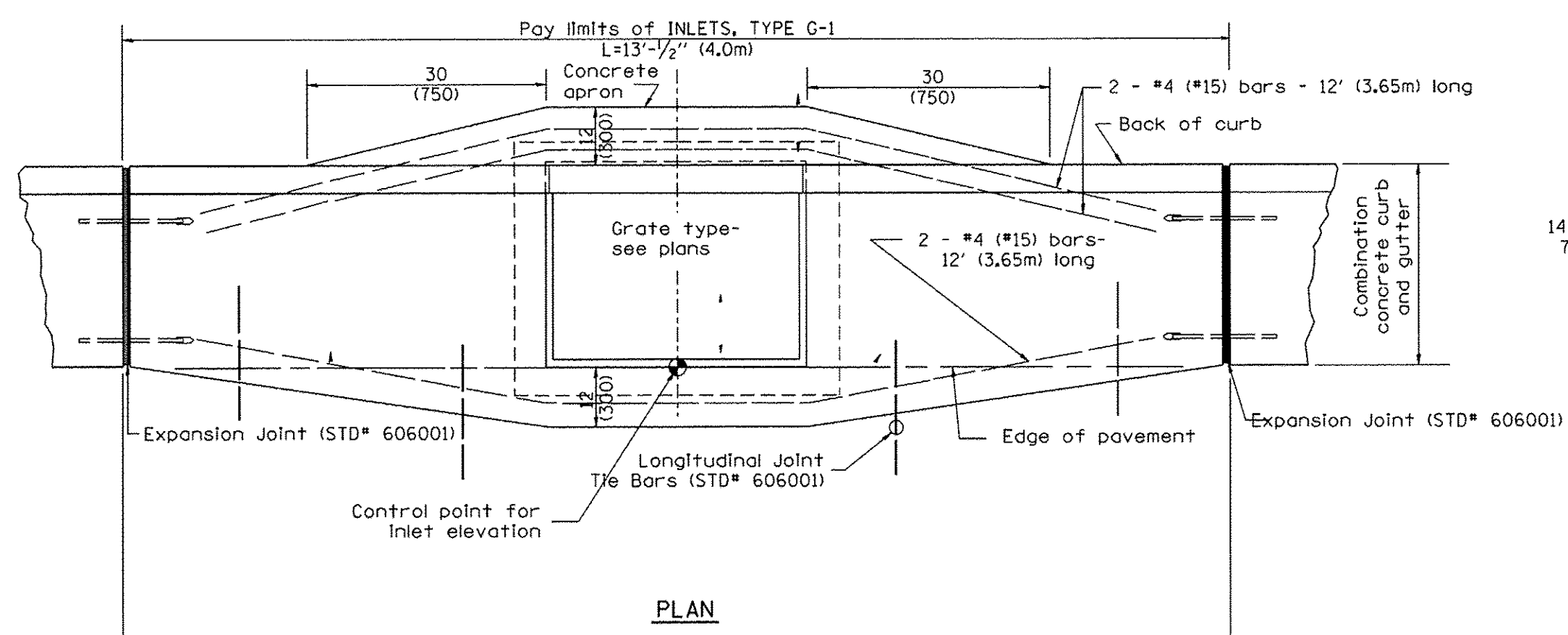
PIPE UNDERDRAINS, TYPE 1, 6"



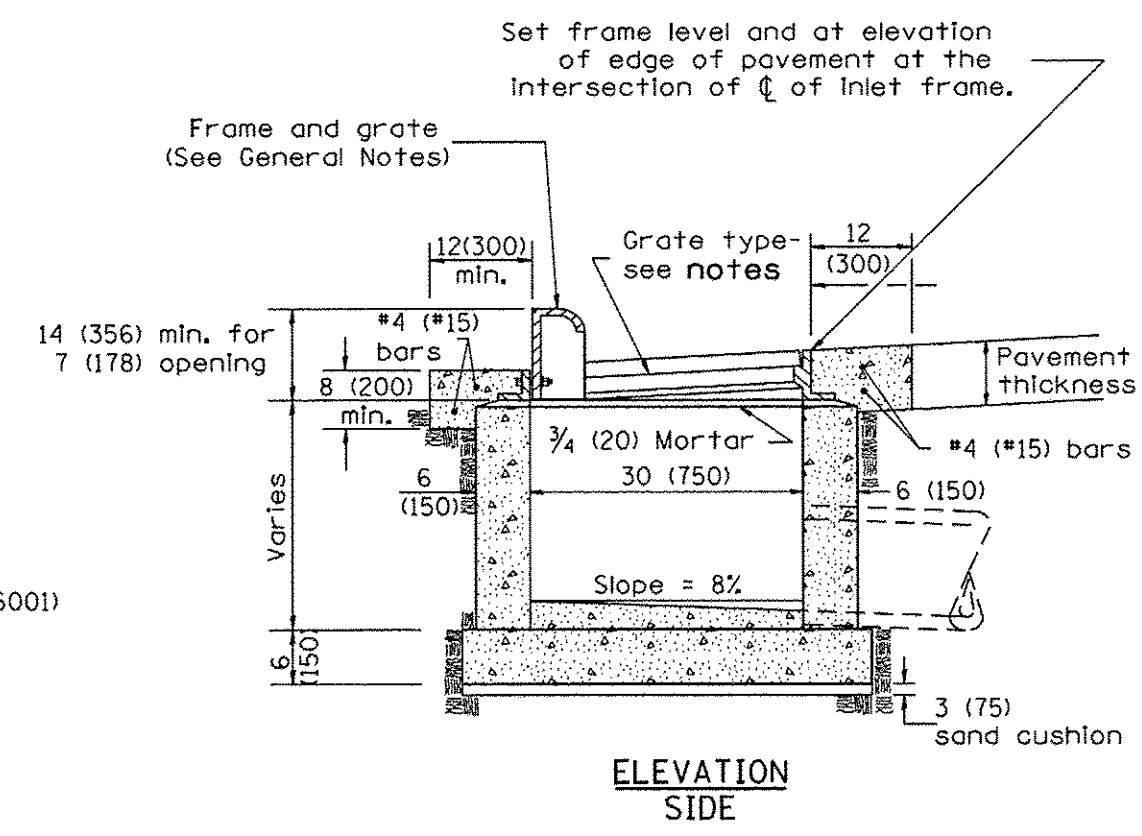
NOTE
NO CONCRETE FILLET SHALL BE CONSTRUCTED IN THE MANHOLE.

MANHOLES, TYPE A, 5' DIAMETER, TYPE 1 FRAME, CLOSED LID

S1-119



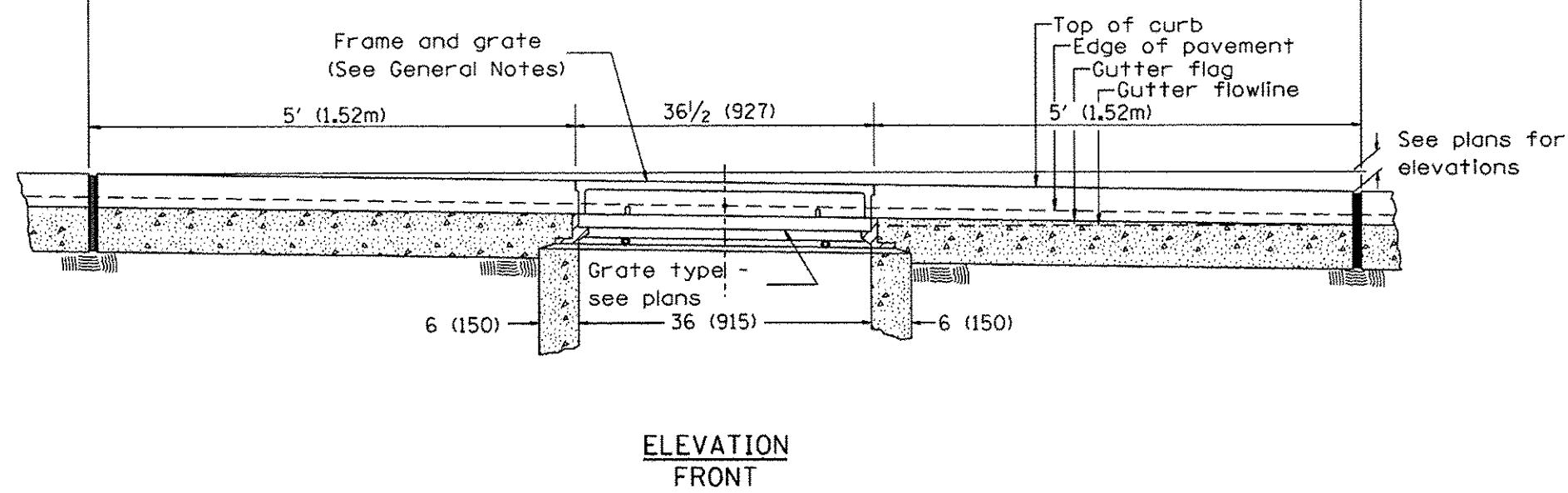
PLAN



ELEVATION SIDE

GENERAL NOTES

1. Inlet construction shall be in accordance with Section 602 of the Standard Specifications.
2. Combination Concrete Curb & Gutter shall be constructed in accordance with Section 606 of the Standard Specifications.
3. Frame and grate shall be NEENAH R-3246-A, or approved equivalent, with type R grate.
4. All dimensions are shown in inches (millimeters) unless otherwise noted.



ELEVATION FRONT

INLETS, TY G-1 DETAIL

© Copyright Hanson Professional Services, Inc. 2016
HANSON
 Hanson Professional Services Inc.

LAYOUT	MGD	11/24/15
DRAWN	RLA	2/4/16
REVIEWED	MGD	3/22/16

FILE NAME =
Z:\Plans\Sheets\Project1\P1-sht-detail102.dgn
PLOT DATE =
8/25/2016 1:51:24 PM

DESIGNED - MGD
DRAWN - RLA
CHECKED - MGD
DATE - 8/26/2016

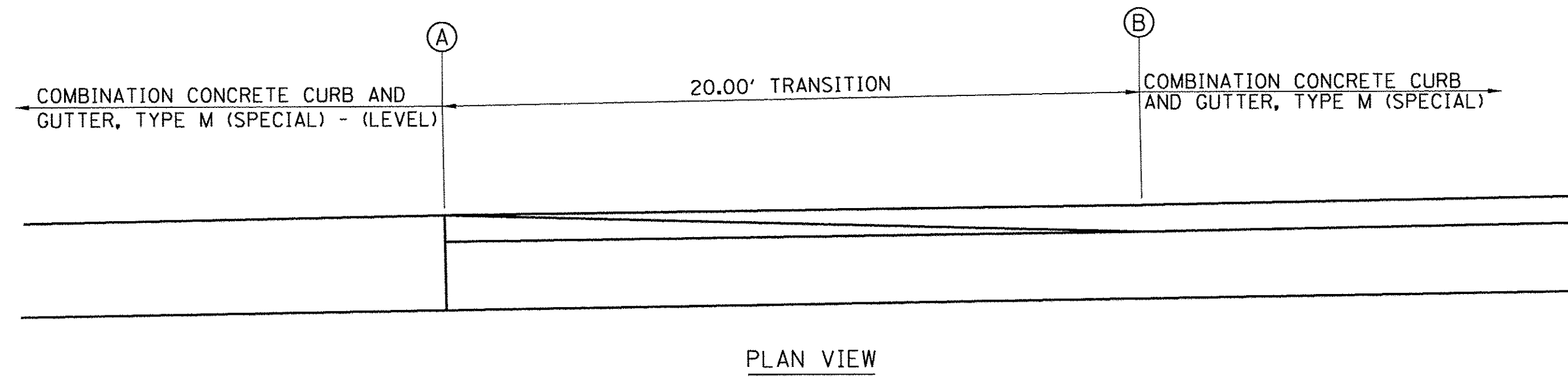
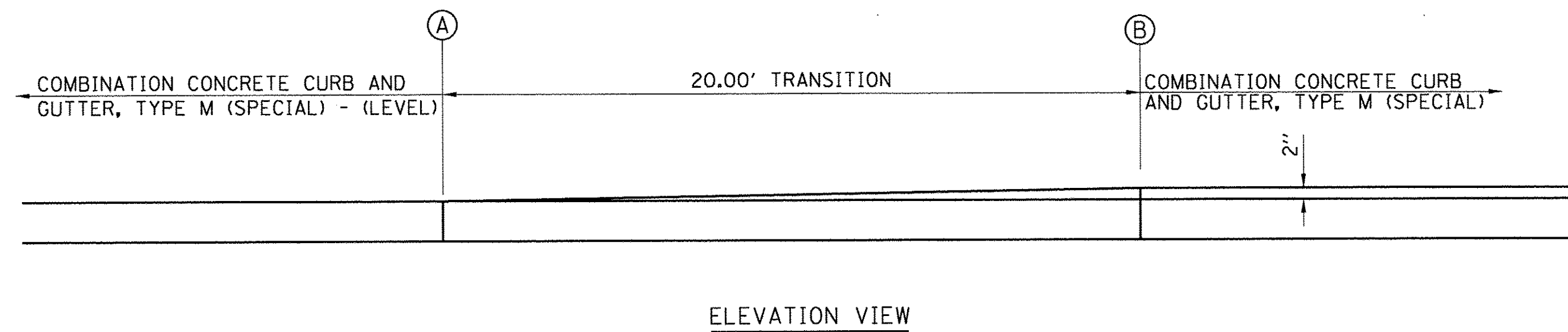
REVISED -
REVISED -
REVISED -
REVISED -

STATE OF ILLINOIS
DEPARTMENT OF TRANSPORTATION

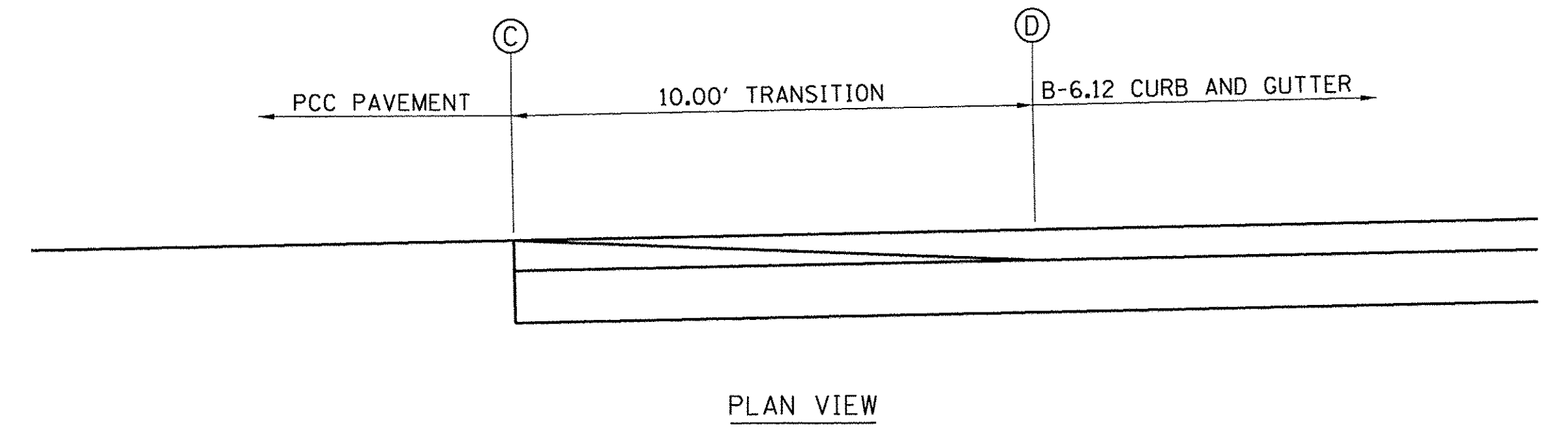
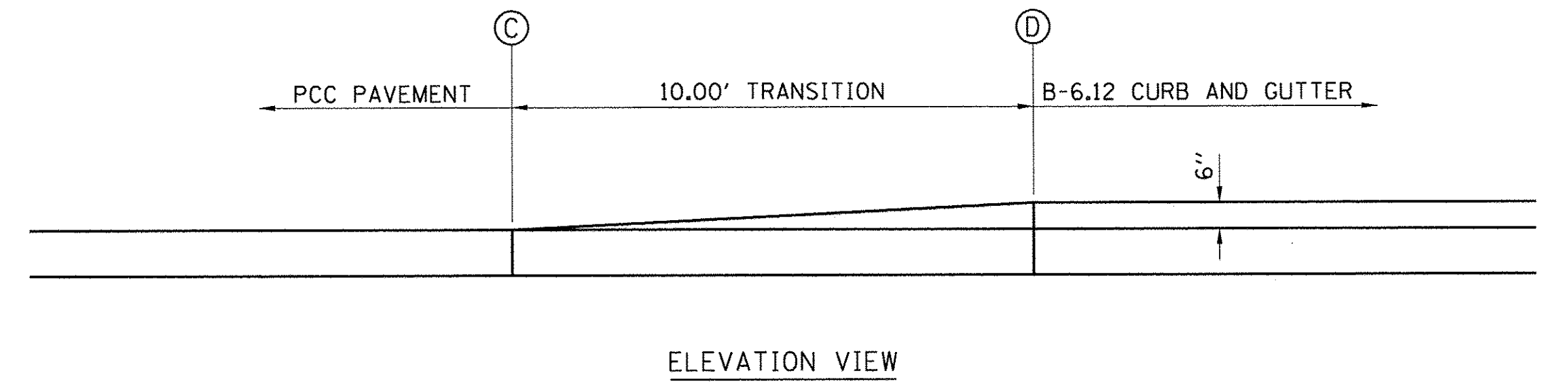
PROJECT 1 - GREEN STREET
DRAINAGE DETAILS

SCALE: N/A SHEET NO. OF SHEETS STA. TO STA.

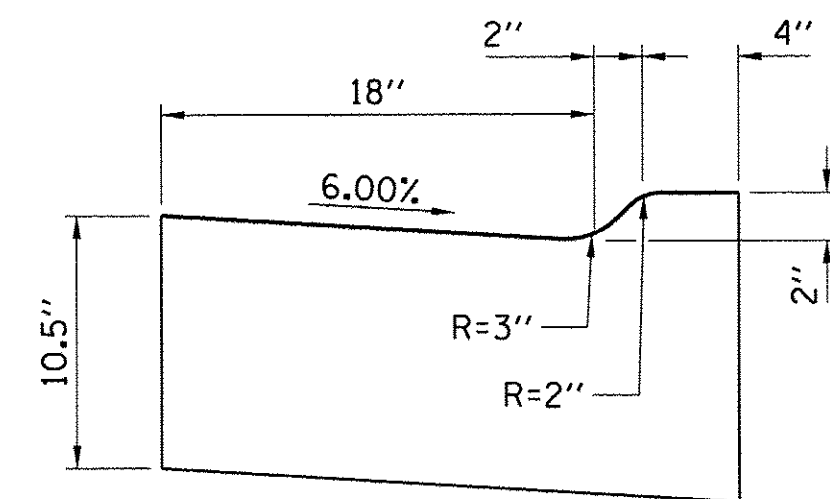
F.A.U. RTE.	SECTION	COUNTY	TOTAL SHEETS	SHEET NO.
7126	15-00304-01-PV	CHAMPAIGN	236	171
MCORE PROJECT 1			CONTRACT NO. 91539	
JOB NO. C-95-305-16		ILLINOIS	FED. AID PROJECT TIG-5181(057)	



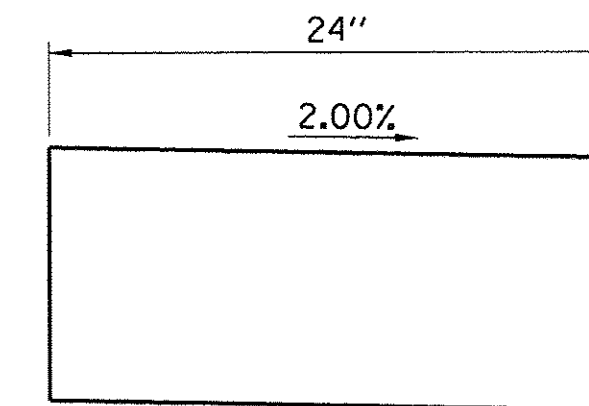
COMBINATION CONCRETE CURB AND GUTTER, TYPE M (SPECIAL) TRANSITION DETAIL



B-6.12 CURB TRANSITION DETAIL



COMBINATION CONCRETE CURB AND GUTTER, TYPE M (SPECIAL)
(EQUIVALENT TO M-2.18)



COMBINATION CONCRETE CURB AND GUTTER, TYPE M (SPECIAL) - (LEVEL)

LAYOUT	MOD	11/24/15
DRAWN	RLA	2/4/16
REVIEWED	MGD	3/22/16

FILE NAME = Z:\Plans\Sheets\Project1\PI-sht-detail103.dgn
 PLOT DATE = 8/25/2016 1:51:35 PM

DESIGNED - MGD	REVISED -
DRAWN - RLA	REVISED -
CHECKED - MGD	REVISED -
DATE - 8/26/2016	REVISED -

STATE OF ILLINOIS
DEPARTMENT OF TRANSPORTATION

PROJECT 1 - GREEN STREET
BIKE LANE CURB TRANSITION DETAILS

SCALE: N/A SHEET NO. OF SHEETS STA. TO STA.

F.A.U. RTE.	SECTION	COUNTY	TOTAL SHEETS	SHEET NO.
7126	15-00304-01-PV	CHAMPAIGN	236	172
MCORE PROJECT 1			CONTRACT NO. 91539	
JOB NO. C-95-305-16 ILLINOIS FED. AID PROJECT TIG-5181057				

LAYOUT	DLC	3/23/16
DRAWN	RLA	3/23/16
REVIEWED	MGD	3/22/16

FILE NAME =
 Z:\Plans\Sheets\Project1\PI1-sht-detail115.dgn
 PLOT DATE =
 8/25/2016 1:52:24 PM

DESIGNED - DLC
 DRAWN - RLA
 CHECKED - MGD
 DATE - 8/26/2016

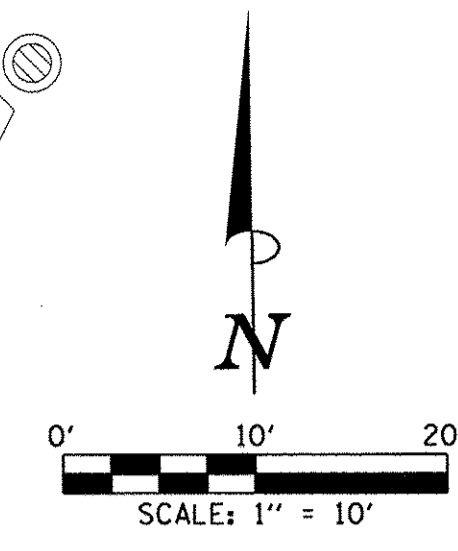
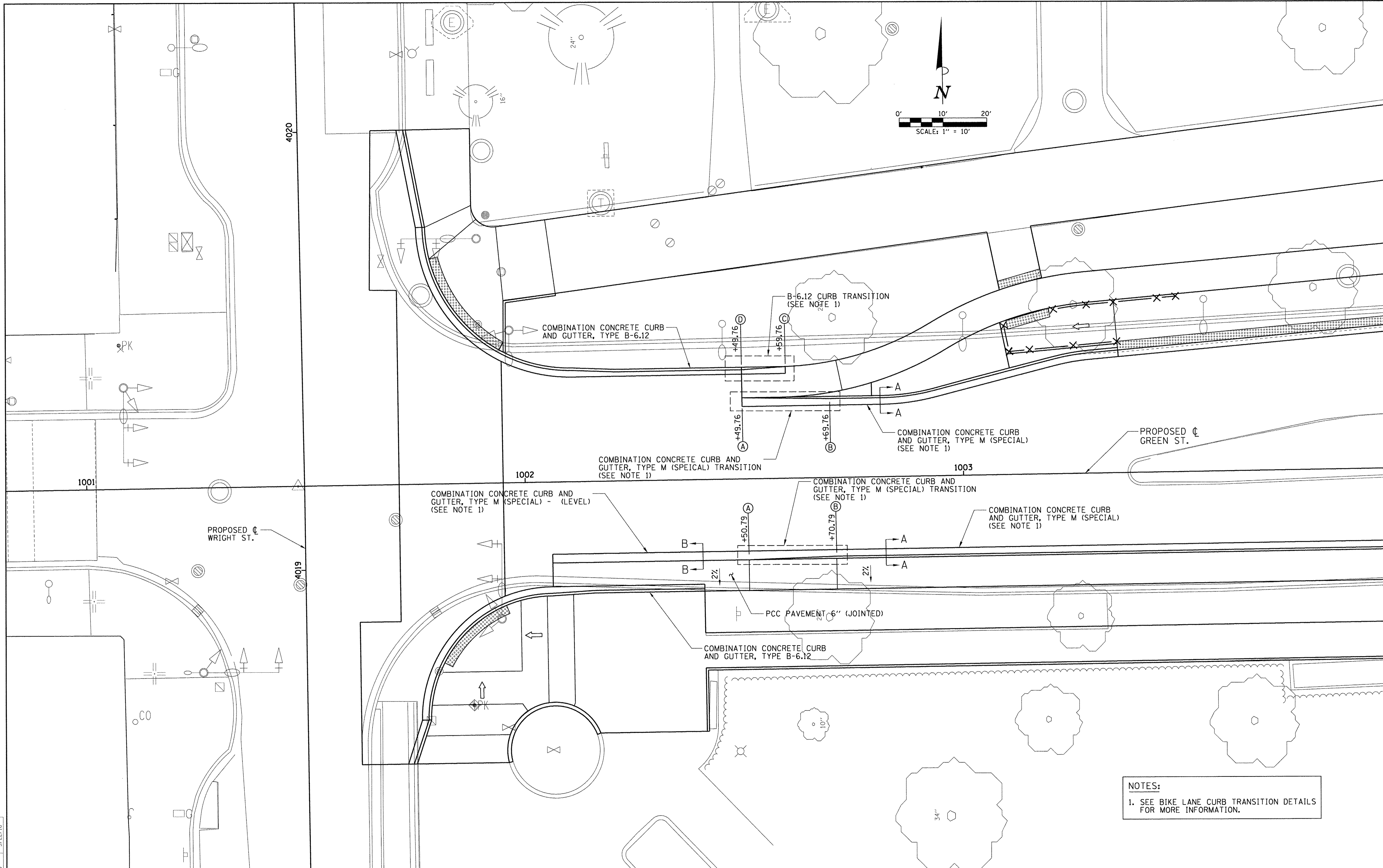
REVISED -
 REVISED -
 REVISED -
 REVISED -

STATE OF ILLINOIS
 DEPARTMENT OF TRANSPORTATION

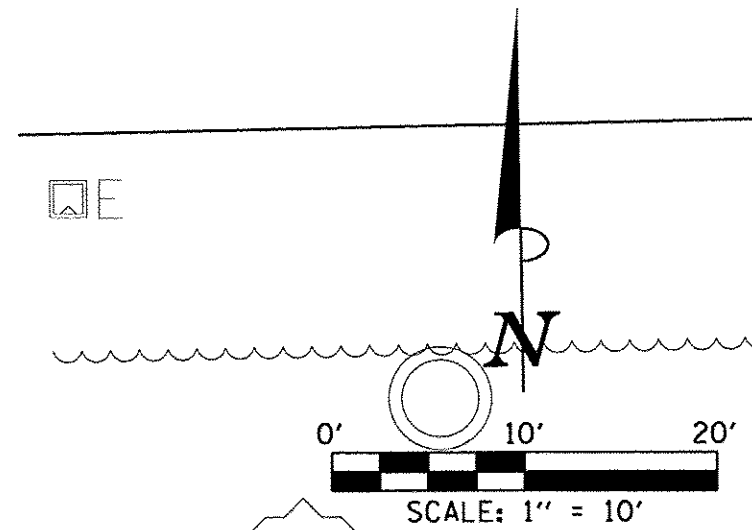
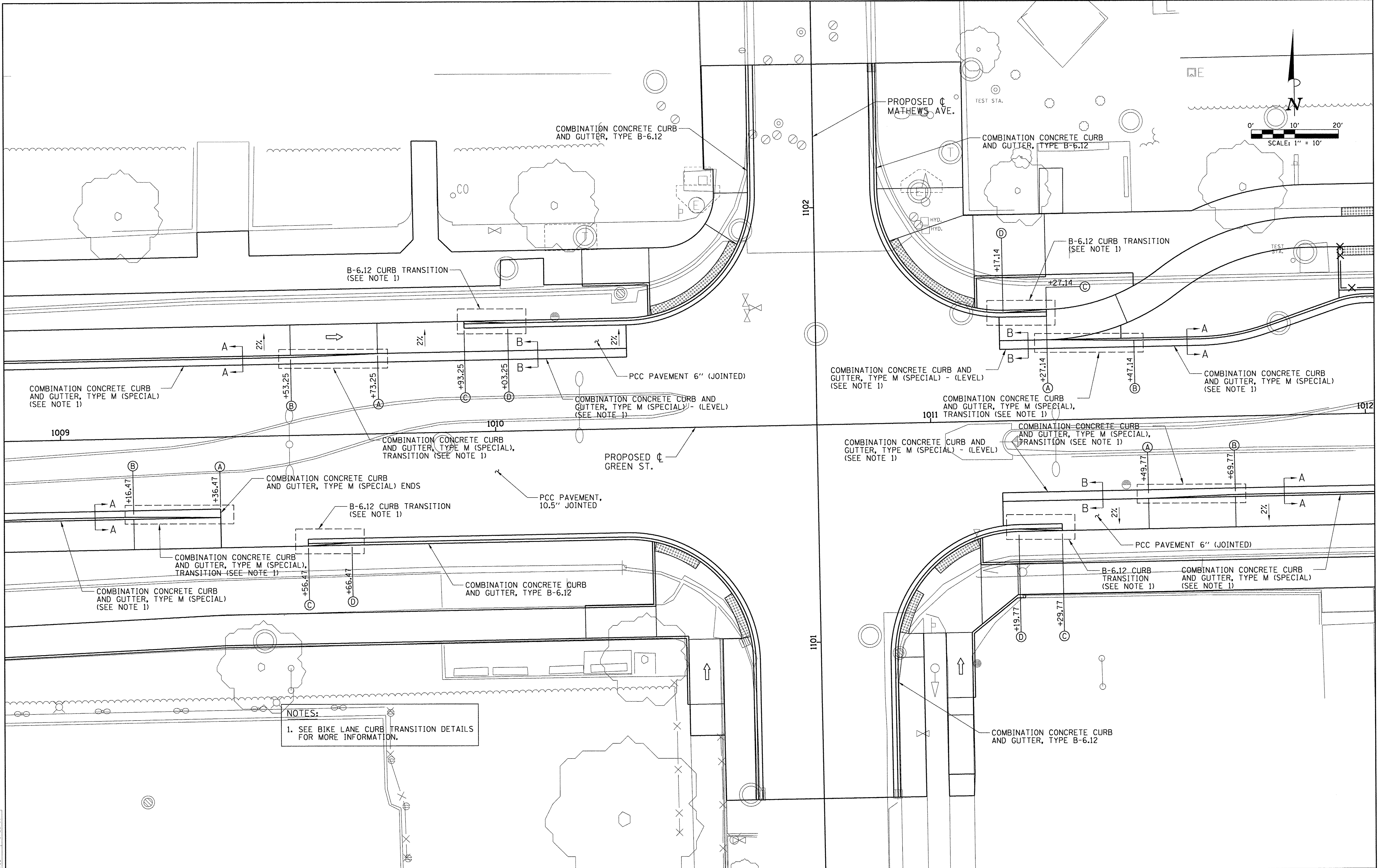
PROJECT 1 - GREEN STREET
 BIKE LANE CURB TRANSITION LAYOUT

SCALE: 1"=10' SHEET NO. OF SHEETS STA. TO STA.

F.A.U. RTE.	SECTION	COUNTY	TOTAL SHEETS	SHEET NO.
7126	15-00304-01-PV	CHAMPAIGN	236	173
MCORE PROJECT 1			CONTRACT NO. 91539	
JOB NO. C-95-305-16 ILLINOIS FED. AID PROJECT TIG-5181057				



NOTES:
 1. SEE BIKE LANE CURB TRANSITION DETAILS FOR MORE INFORMATION.



NOTES:
 1. SEE BIKE LANE CURB TRANSITION DETAILS FOR MORE INFORMATION.

LAYOUT	DLC	3/3/16
DRAWN	RLA	3/3/16
REVIEWED	MGD	3/22/16

FILE NAME = Z:\Plans\Sheets\Project1\101-sht-detail16.dgn
 PLOT DATE = 8/25/2016 1:52:29 PM

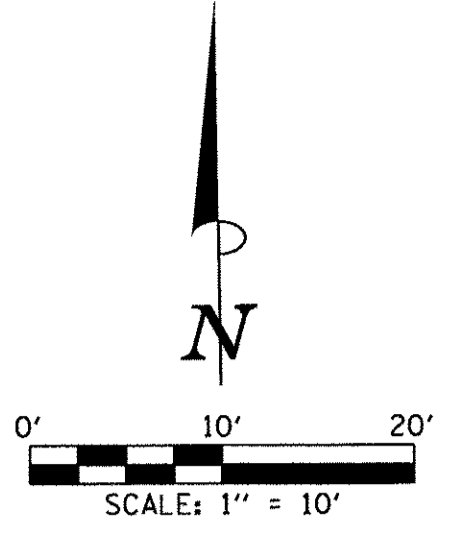
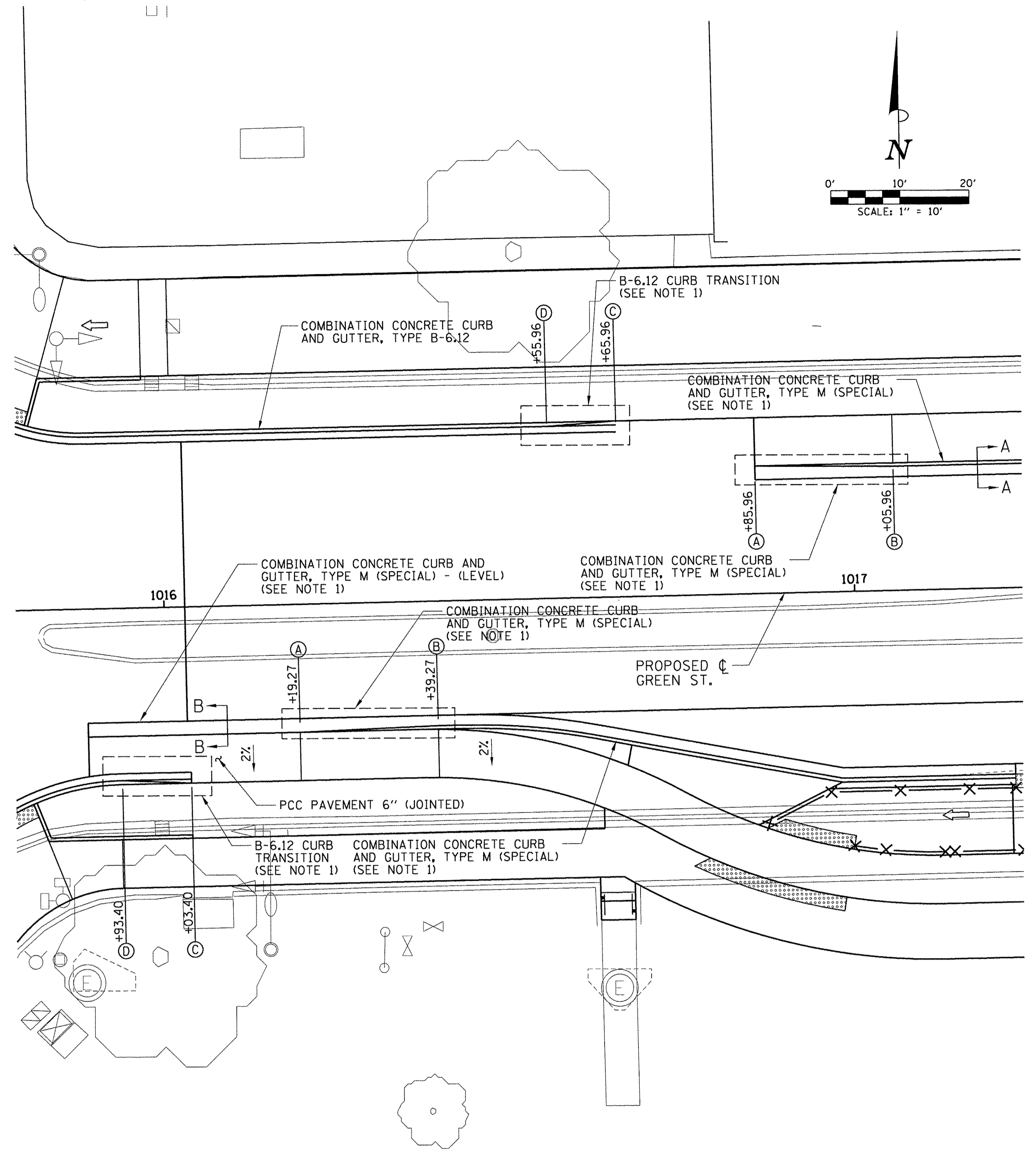
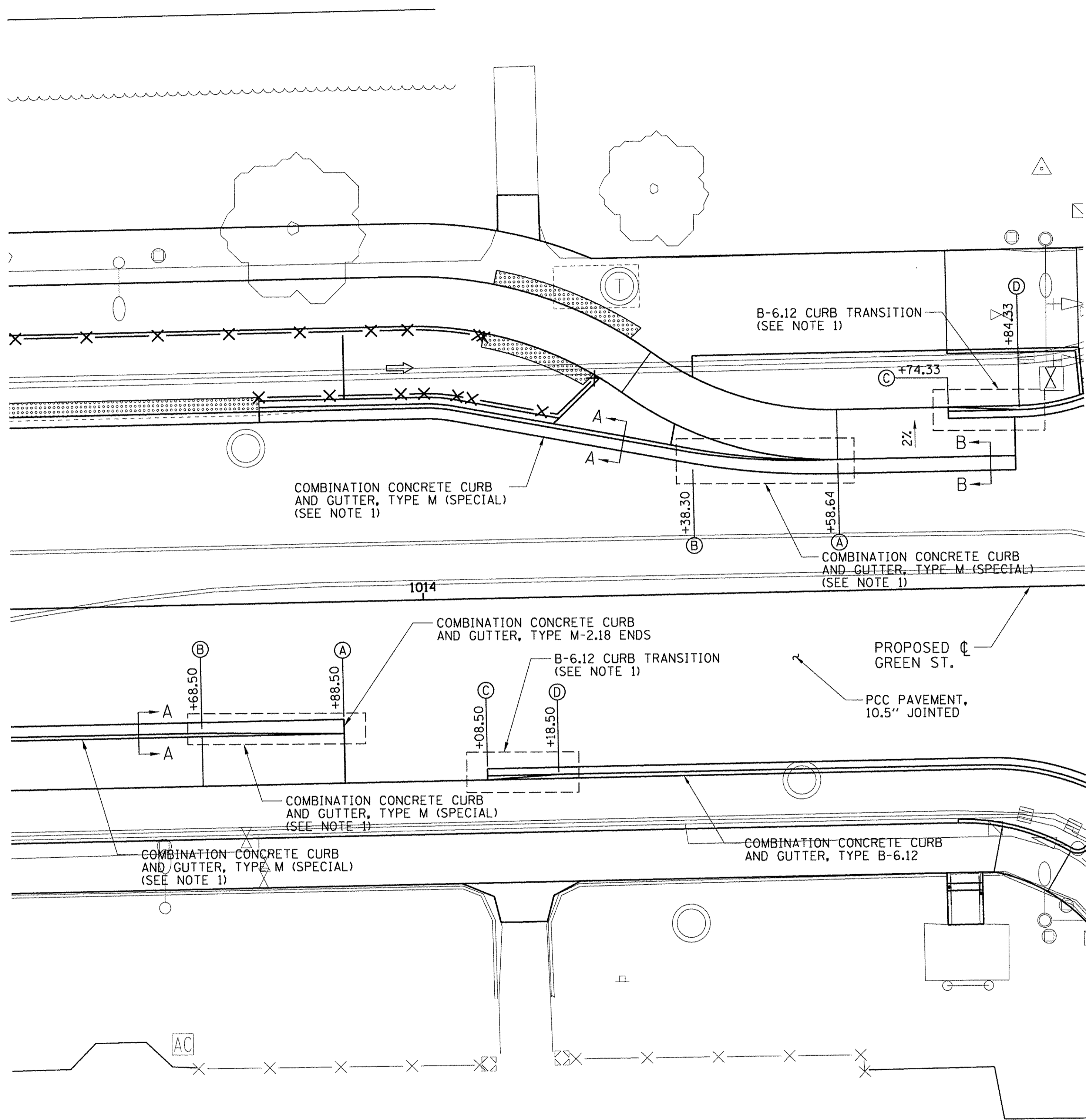
DESIGNED -	DLC	REVISED -	
DRAWN -	RLA	REVISED -	
CHECKED -	MGD	REVISED -	
DATE -	8/26/2016	REVISED -	

STATE OF ILLINOIS
 DEPARTMENT OF TRANSPORTATION

**PROJECT 1 - GREEN STREET
 BIKE LANE CURB TRANSITION LAYOUT**

SCALE: 1"=10' SHEET NO. OF SHEETS STA. TO STA.

F.A.U. RTE.	SECTION	COUNTY	TOTAL SHEETS	SHEET NO.
7126	15-00304-01-PV	CHAMPAIGN	236	174
MCORE PROJECT 1		CONTRACT NO. 91539		
JOB NO. C-95-305-16 ILLINOIS FED. AID PROJECT T1G-5181(057)				



NOTES:
 1. SEE BIKE LANE CURB TRANSITION DETAILS FOR MORE INFORMATION.

LAYOUT	DLC	3/3/16
DRAWN	RLA	3/3/16
REVIEWED	MGD	3/22/16

FILE NAME =
 Z:\Plans\Sheets\Project1\P1-sht-detail17.dgn
 PLOT DATE =
 8/25/2016 1:52:34 PM

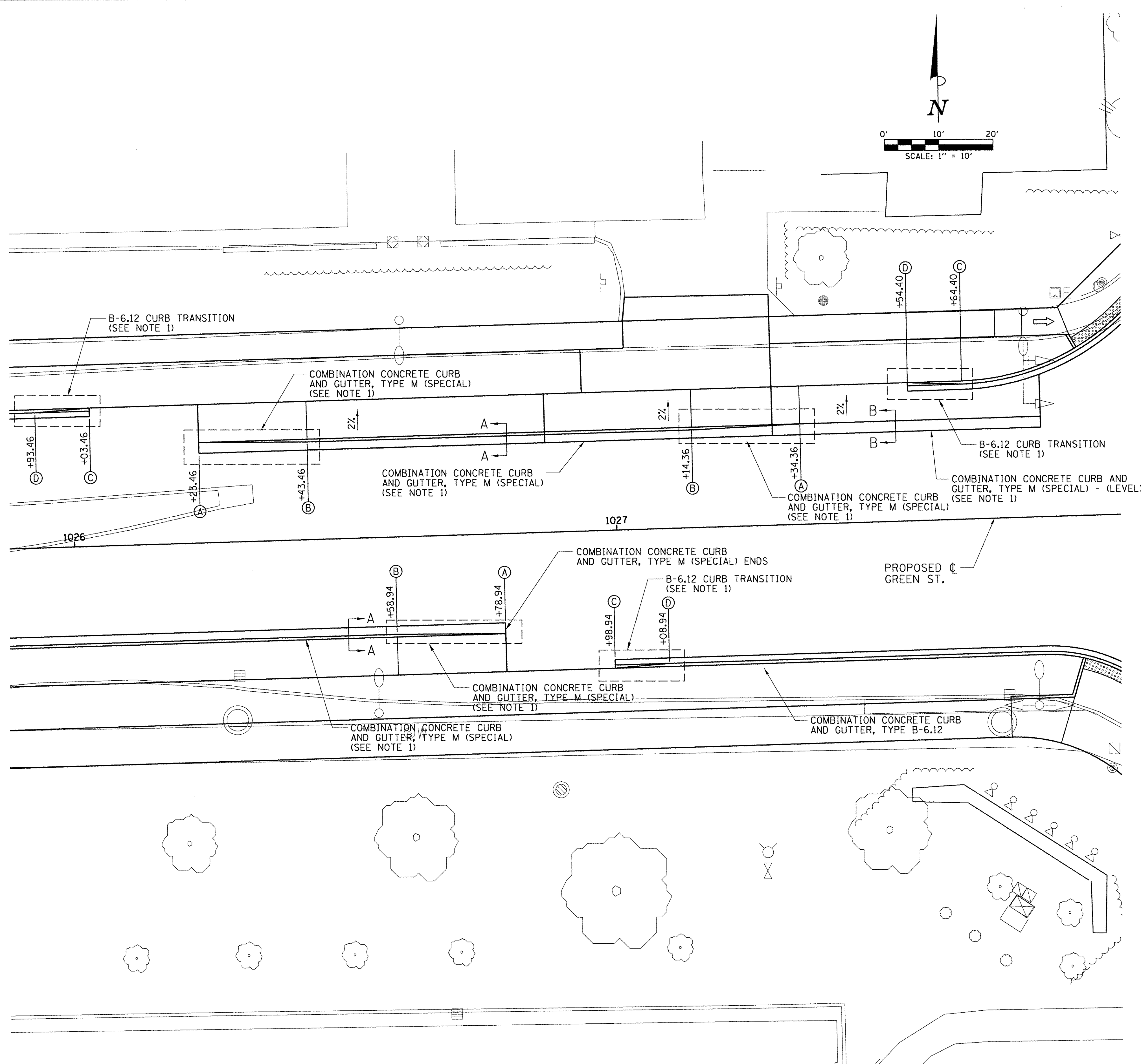
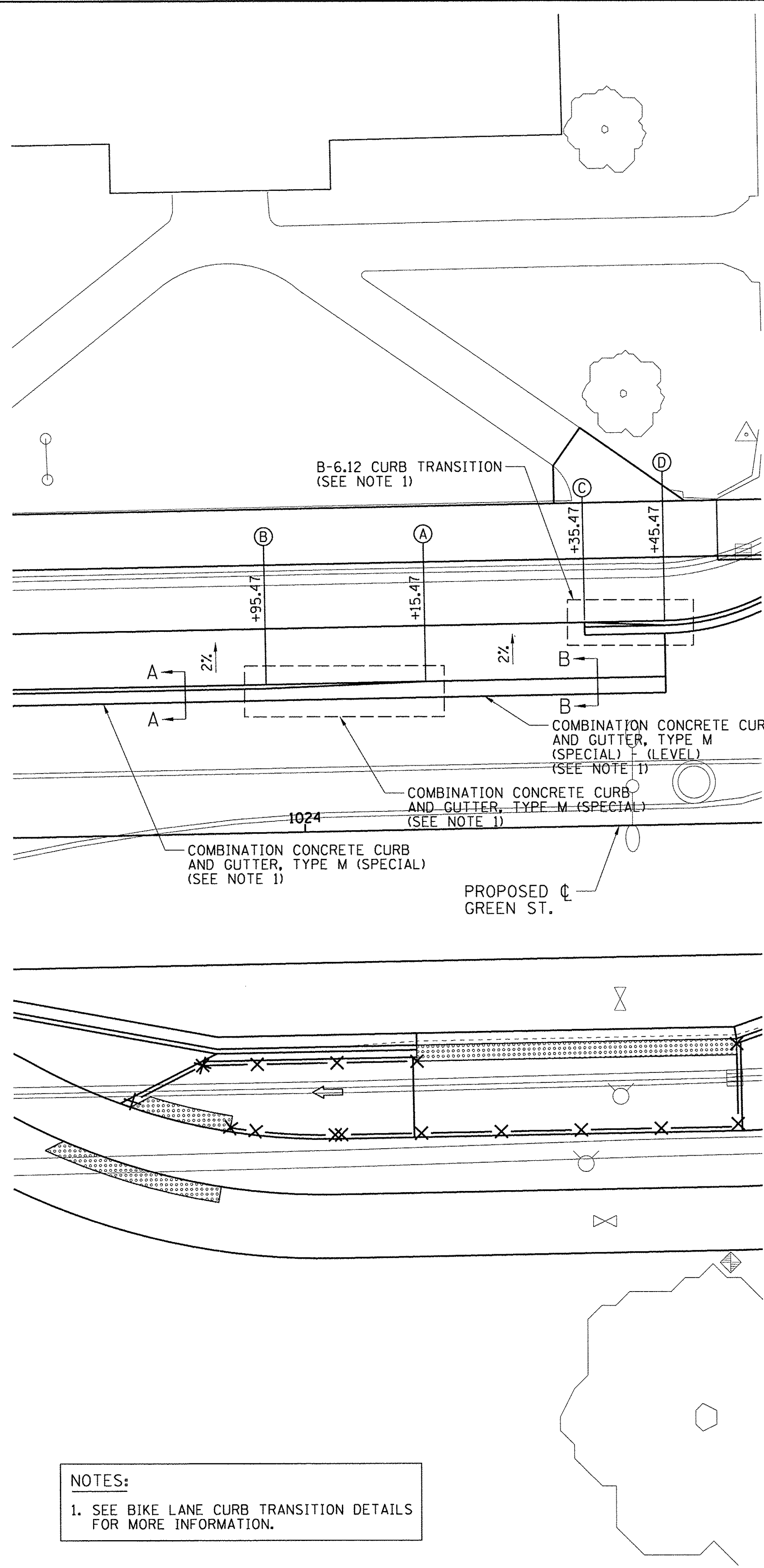
DESIGNED -	DLC	REVISED -	
DRAWN -	RLA	REVISED -	
CHECKED -	MGD	REVISED -	
DATE -	8/26/2016	REVISED -	

STATE OF ILLINOIS
 DEPARTMENT OF TRANSPORTATION

**PROJECT 1 - GREEN STREET
 BIKE LANE CURB TRANSITION LAYOUT**

SCALE: 1"=10' SHEET NO. OF SHEETS STA. TO STA.

F.A.U. RTE.	SECTION	COUNTY	TOTAL SHEETS	SHEET NO.
7126	15-00304-01-PV	CHAMPAIGN	236	175
MCORE PROJECT 1			CONTRACT NO. 91539	
JOB NO. C-95-305-16 ILLINOIS FED. AID PROJECT TIG-5181057				



NOTES:
 1. SEE BIKE LANE CURB TRANSITION DETAILS FOR MORE INFORMATION.

LAYOUT	DLC	3/23/16
DRAWN	RLA	3/23/16
REVIEWED	MGD	3/22/16

FILE NAME = Z:\Plans\Sheets\Project1\P1-sht-detail118.dgn
 PLOT DATE = 8/25/2016 1:52:38 PM

DESIGNED - DLC
 DRAWN - RLA
 CHECKED - MGD
 DATE - 8/26/2016

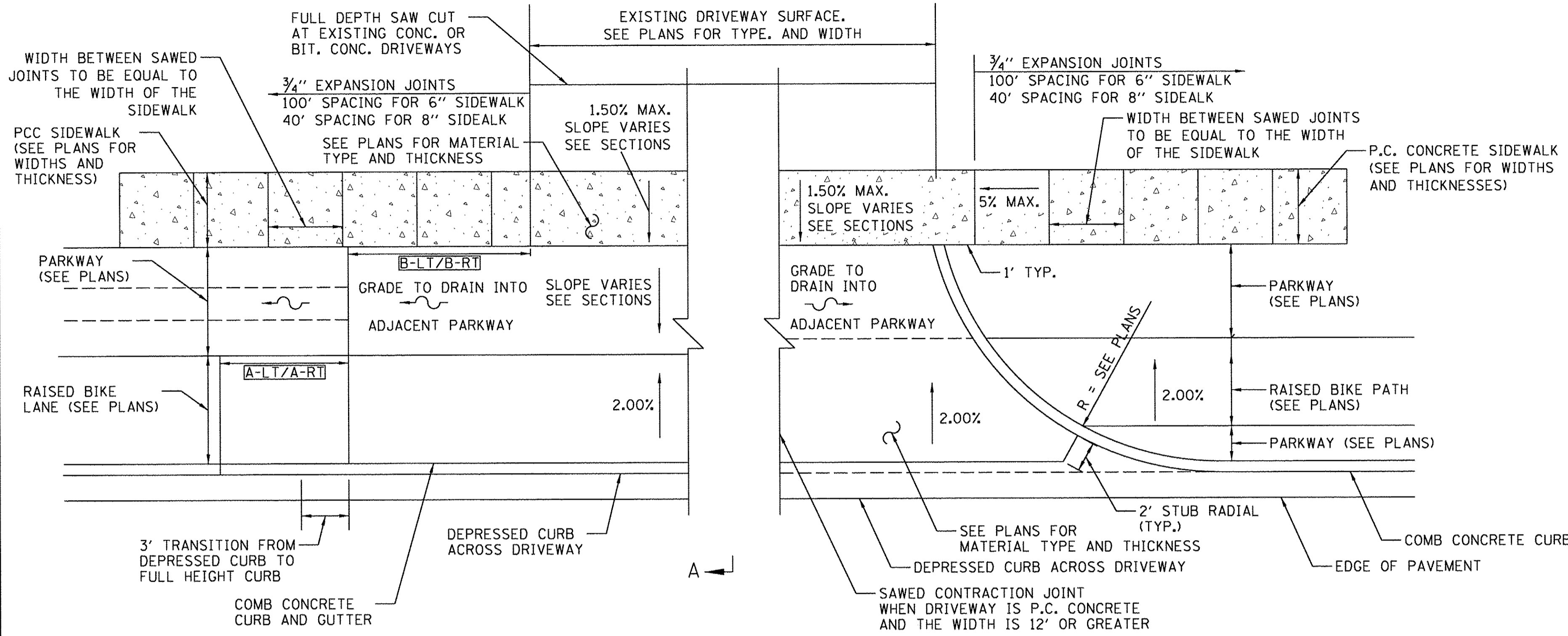
REVISED -
 REVISED -
 REVISED -
 REVISED -

STATE OF ILLINOIS
 DEPARTMENT OF TRANSPORTATION

PROJECT 1 - GREEN STREET
 BIKE LANE CURB TRANSITION LAYOUT

SCALE: 1"=10' SHEET NO. OF SHEETS STA. TO STA.

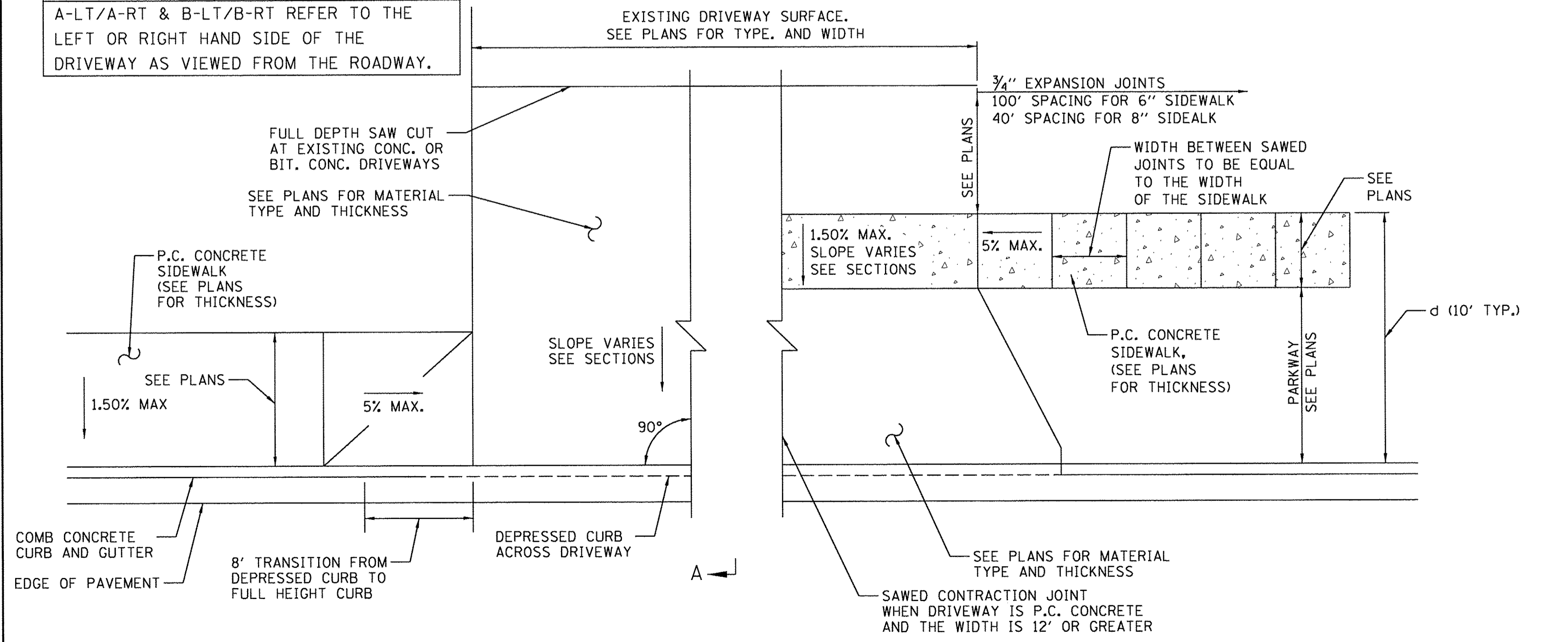
F.A.U. RTE.	SECTION	COUNTY	TOTAL SHEETS	SHEET NO.
7126	15-00304-01-PV	CHAMPAIGN	236	176
MCORE PROJECT 1			CONTRACT NO. 91539	
JOB NO. C-95-305-16 ILLINOIS FED. AID PROJECT TIG-5181(057)				



STATION / SIDE	A-LT	A-RT	B-LT	B-RT
1018+55.78 RT	7'	7'	8'	8'
1019+04.77 LT	15'	N/A	8'	8'
1019+70.78 RT	7'	7'	8'	8'
1019+75.33 LT	N/A	0'	8'	0'
1020+43.05 LT	0'	18'	0'	18'
1027+16.02 LT	7'	0'	8'	0'

A-LT/A-RT & B-LT/B-RT REFER TO THE LEFT OR RIGHT HAND SIDE OF THE DRIVEWAY AS VIEWED FROM THE ROADWAY.

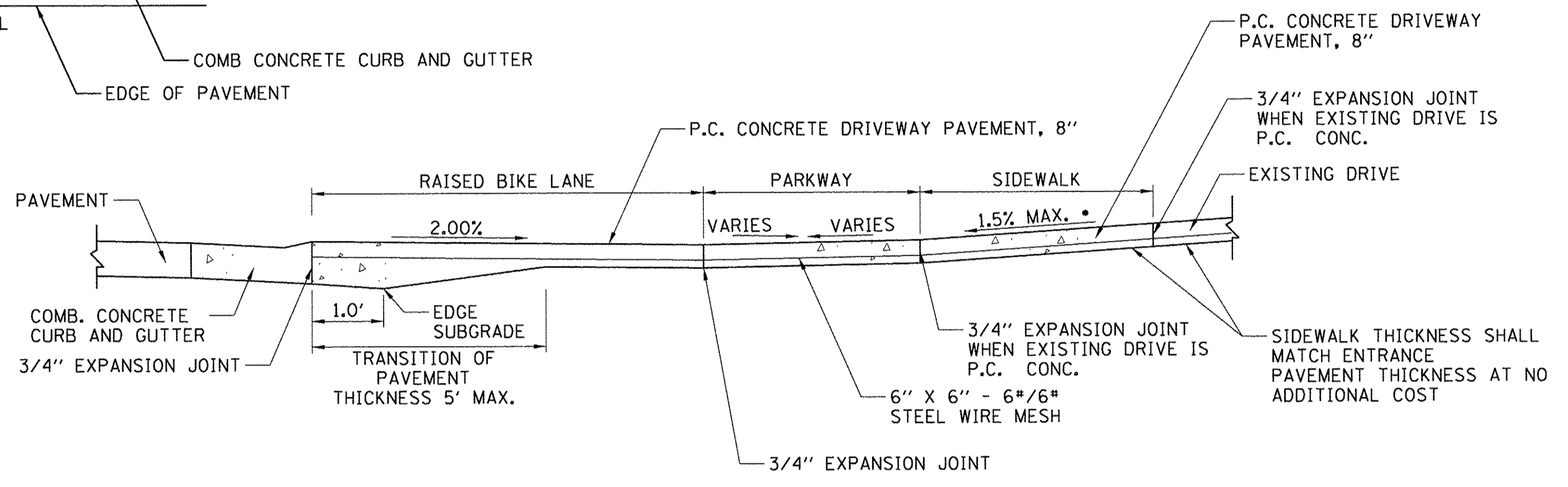
ENTRANCE (C.E. & P.E.) DETAIL WITH RAISED BIKE LANE



ENTRANCE (C.E. & P.E.) DETAIL NO RAISED BIKE LANE

	(C.E.) COMMERCIAL ENTRANCE	(P.E.) PRIVATE ENTRANCE
THROAT WIDTH	24FT-35FT ⁽¹⁾	12FT-24FT ⁽¹⁾
RETURN RADII	15FT-40FT ⁽⁴⁾	10FT-25FT ⁽³⁾
ANGLE	45°-90°	45°-90°
GRADIENT	5% DES. ⁽²⁾ 10% MAX.	10% DES. ⁽²⁾ 15% MAX.

NOTES:
 (1) MINIMUM 16 FT. FOR FIELD ENTRANCES.
 (2) MAXIMUM ALGEBRAIC DIFFERENCE IN GRADES SHALL BE 12%.



SECTION A-A
 • SLOPE DIRECTION VARIES SEE SECTIONS

GENERAL NOTES FOR ENTRANCE PAVEMENT

1. THE COST OF CONSTRUCTING THE DEPRESSED GUTTER OR CURB INCLUDING THE 2' STUB AS SHOWN SHALL BE CONSIDERED INCLUDED IN THE COST OF CONSTRUCTING THE COMBINATION CONCRETE CURB AND GUTTER OF THE TYPE SPECIFIED AND NO ADDITIONAL COMPENSATION WILL BE ALLOWED.
2. THE COST OF FURNISHING AND INSTALLING THE 3/4" EXPANSION JOINTS AND THE COST OF CONSTRUCTING THE P.C. SIDEWALK THICKNESS TRANSITION, INCLUDING THE ADJACENT CURBING AS SHOWN, SHALL BE INCLUDED IN THE COST OF CONSTRUCTING P.C. CONCRETE SIDEWALK AND NO ADDITIONAL COMPENSATION WILL BE ALLOWED.
3. THE NORMAL CROSS SLOPES OF SIDEWALKS SHALL BE 1.5% EXCEPT AS NOTED IN THE PLANS.
4. THE COST OF CONSTRUCTING THE DRIVEWAY PAVEMENT THICKER ADJACENT TO THE GUTTER, SHOULDER, OR PAVEMENT AS SHOWN IN THE SECTION VIEWS WILL BE CONSIDERED INCIDENTAL TO THE DRIVEWAY PAVEMENT PAY ITEMS AND NO ADDITIONAL COMPENSATION WILL BE ALLOWED.
5. WHEN THE WIDTH OF THE P.C. CONCRETE DRIVEWAY PAVEMENT IS BETWEEN 12' AND 24' A CONTRACTION JOINT SHALL BE PLACED AT THE CENTER OF THE DRIVEWAY. WHEN THE WIDTH OF THE P.C. CONCRETE DRIVEWAY PAVEMENT IS BETWEEN 24' AND 35', TWO CONTRACTION JOINTS EVENLY SPACED SHALL BE PLACED IN THE DRIVEWAY. TRANSVERSE CONTRACTION JOINTS SHALL BE PLACED AT 12' MAXIMUM SPACING.

MOD	11/24/15
DRAWN	RLA
REVIEWED	MGD

FILE NAME = Z:\Plans\Sheets\Project1\P1-sht-detail105.dgn
 PLOT DATE = 8/25/2016 1:52:42 PM

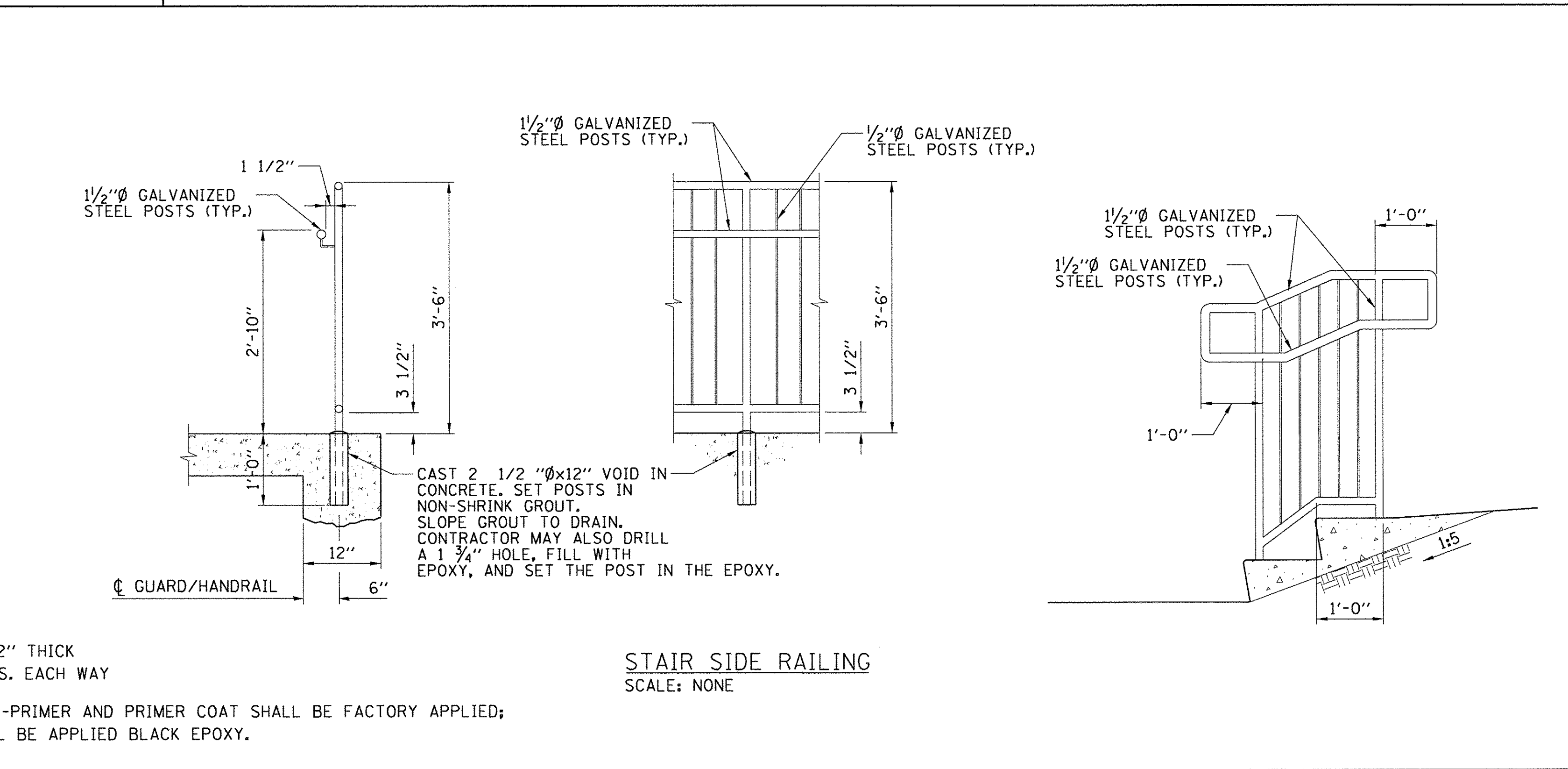
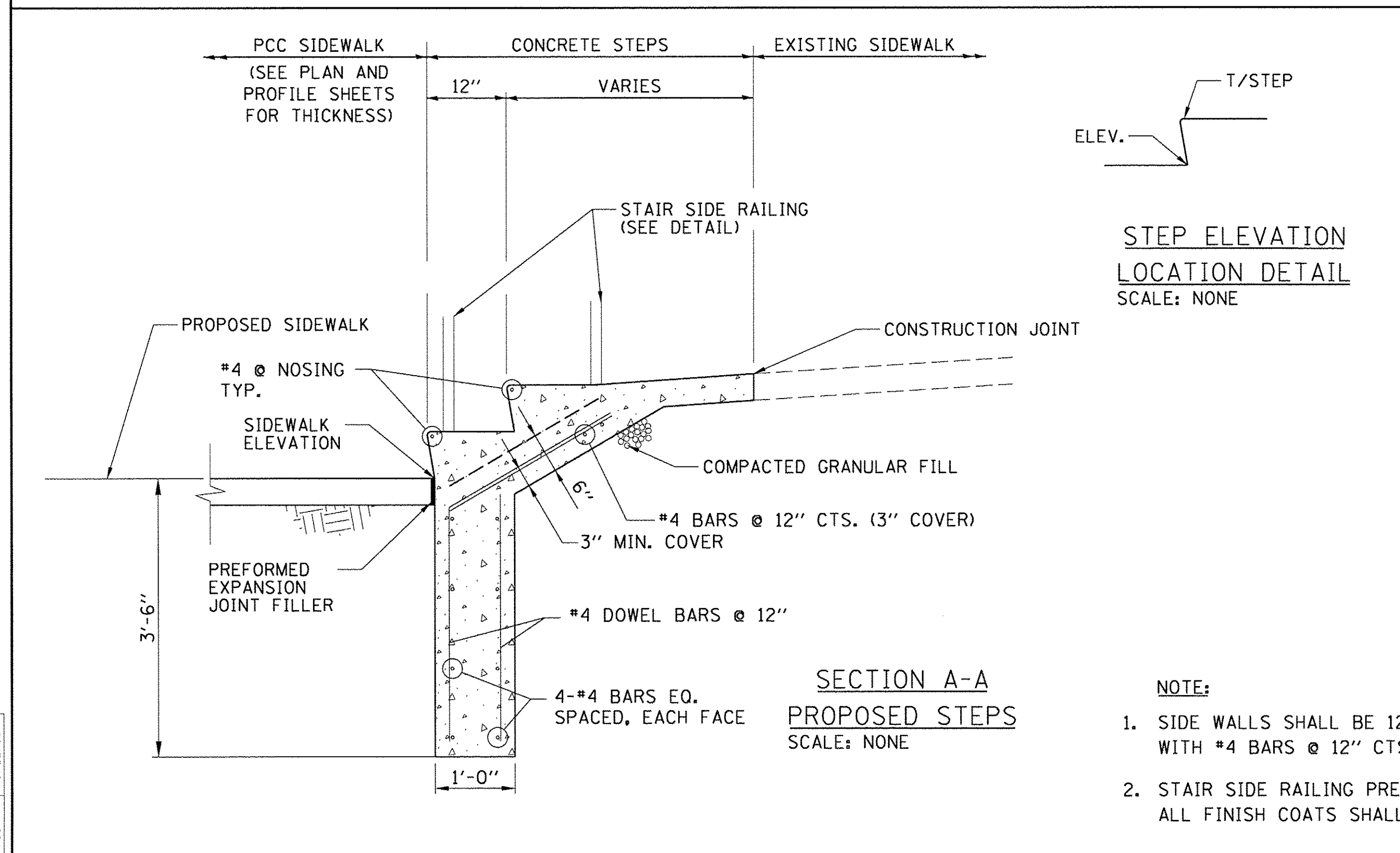
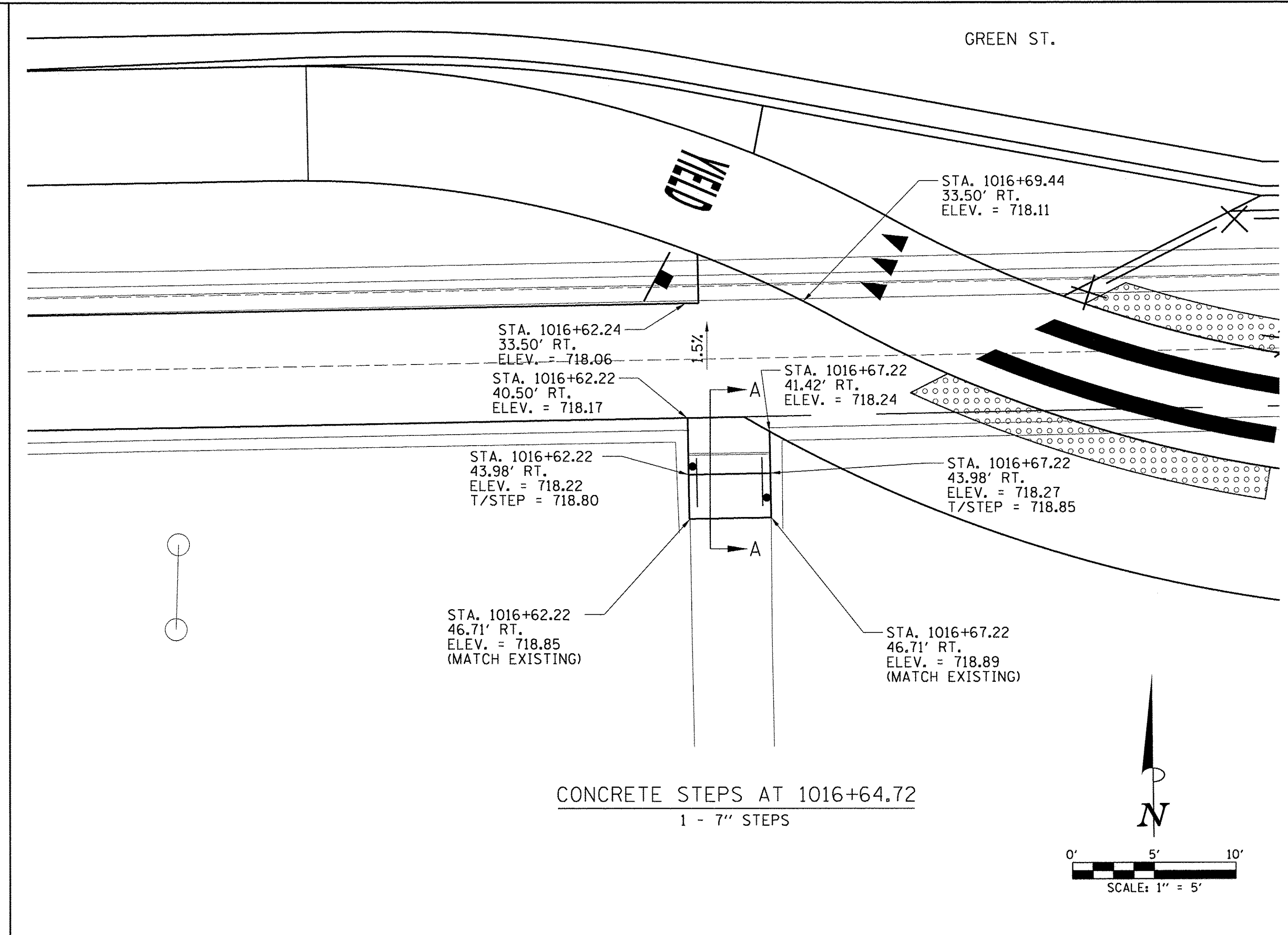
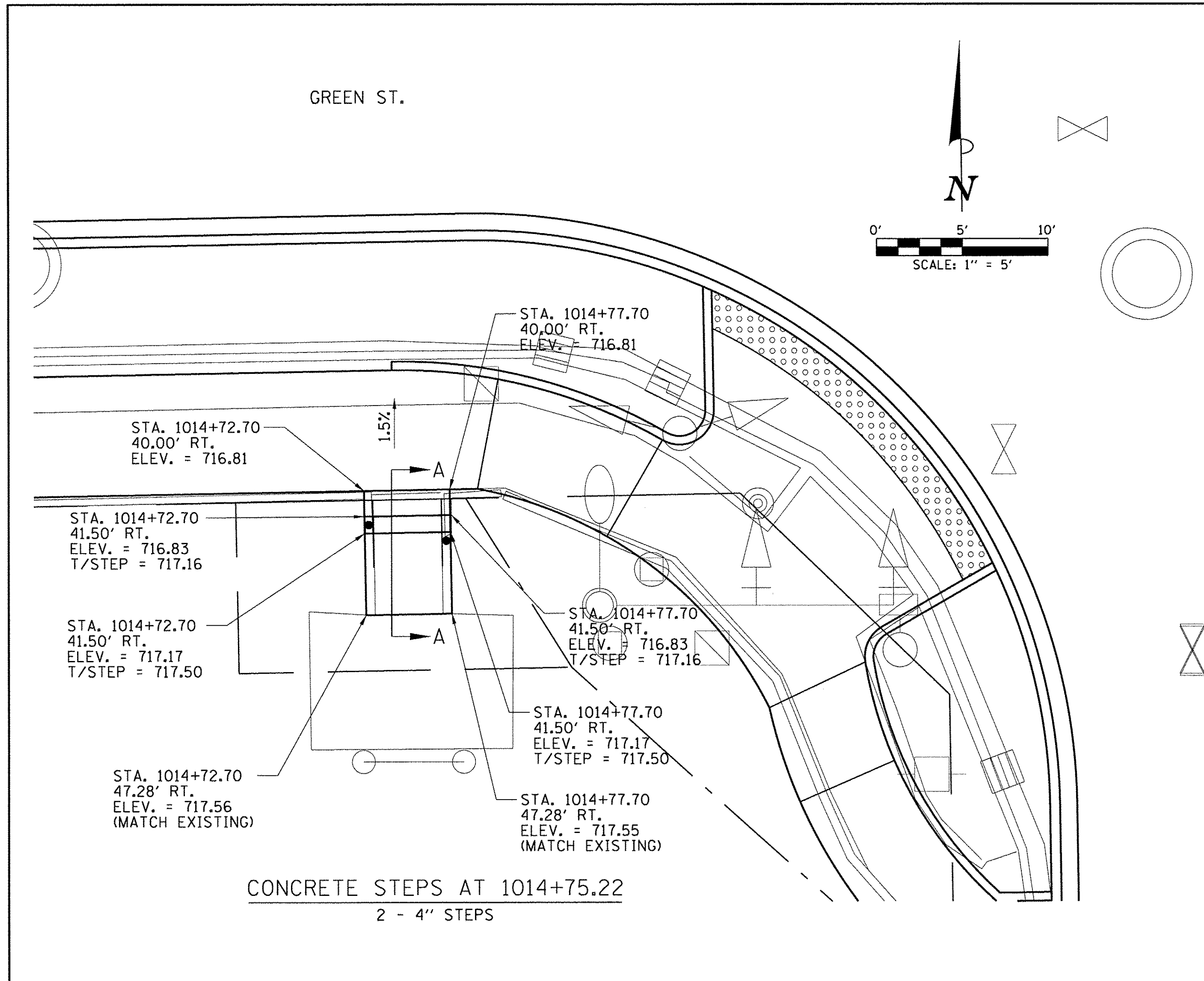
DESIGNED - MGD	REVISED -
DRAWN - RLA	REVISED -
CHECKED - MGD	REVISED -
DATE - 8/26/2016	REVISED -

STATE OF ILLINOIS
 DEPARTMENT OF TRANSPORTATION

PROJECT 1 - GREEN STREET
 ENTRANCE DETAILS

SCALE: N/A SHEET NO. OF SHEETS STA. TO STA.

F.A.U. RTE.	SECTION	COUNTY	TOTAL SHEETS	SHEET NO.
7126	15-00304-01-PV	CHAMPAIGN	236	177
MCORE PROJECT 1		CONTRACT NO. 91539		
JOB NO. C-95-305-16 ILLINOIS FED. AID PROJECT TIG-5181057				



- NOTE:
- SIDE WALLS SHALL BE 12" THICK WITH #4 BARS @ 12" CTS. EACH WAY
 - STAIR SIDE RAILING PRE-PRIMER AND PRIMER COAT SHALL BE FACTORY APPLIED; ALL FINISH COATS SHALL BE APPLIED BLACK EPOXY.

LAYOUT	MOD	11/24/15
DRAWN	RLA	2/4/16
REVIEWED	MGD	3/22/16

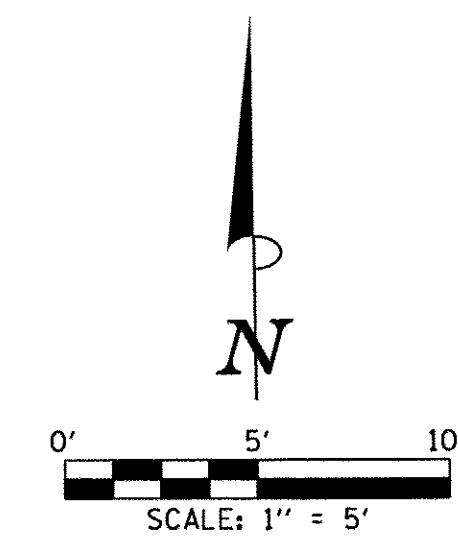
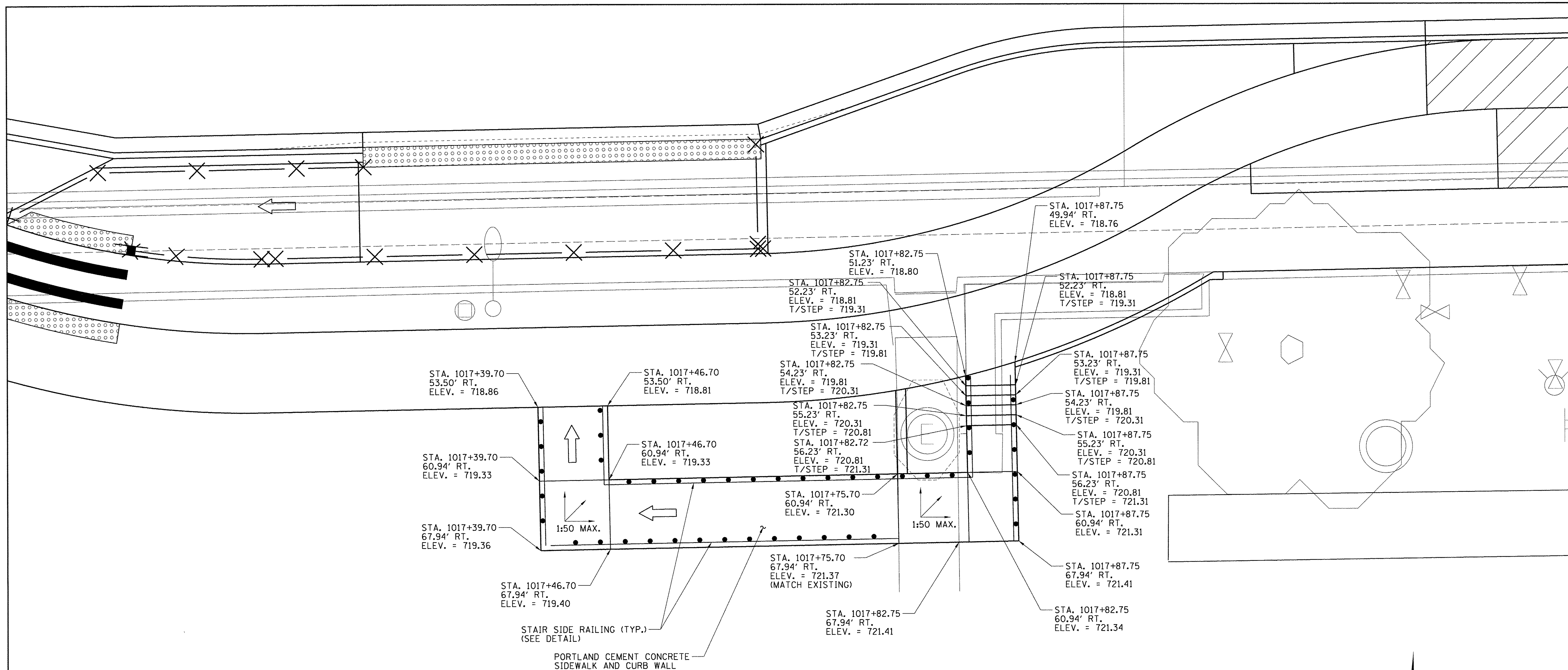
FILE NAME =	Z:\Plans\sheets\Project1\p1-sht-detail106.dgn
PLOT DATE =	8/25/2016 1:53:34 PM

DESIGNED -	MGD	REVISED -	
DRAWN -	RLA	REVISED -	
CHECKED -	MGD	REVISED -	
DATE -	8/26/2016	REVISED -	

STATE OF ILLINOIS
 DEPARTMENT OF TRANSPORTATION

PROJECT 1 - GREEN STREET CONCRETE STEPS DETAILS			
SCALE: N/A	SHEET NO.	OF SHEETS	STA. TO STA.

F.A.U. RTE.	SECTION	COUNTY	TOTAL SHEETS	SHEET NO.
7126	15-00304-01-PV	CHAMPAIGN	236	178
MCORE PROJECT 1			CONTRACT NO. 91539	
JOB NO. C-95-305-16 ILLINOIS FED. AID PROJECT TIG-5181(057)				



- NOTES:**
1. SEE RAMP STRUCTURAL DETAILS SHEET FOR CONSTRUCTION OF RAMP, WALL, AND STAIRS.
 2. SEE CONCRETE STEP DETAILS SHEET FOR STAIR SIDE RAILING DETAILS.

LAYOUT	DLC	3/2/16
DRAWN	DLC	3/2/16
REVIEWED	MGD	3/22/16

FILE NAME =	Z:\Plans\Sheets\Project1\101-sht-detail104.dgn
PLOT DATE =	8/25/2016 1:53:39 PM

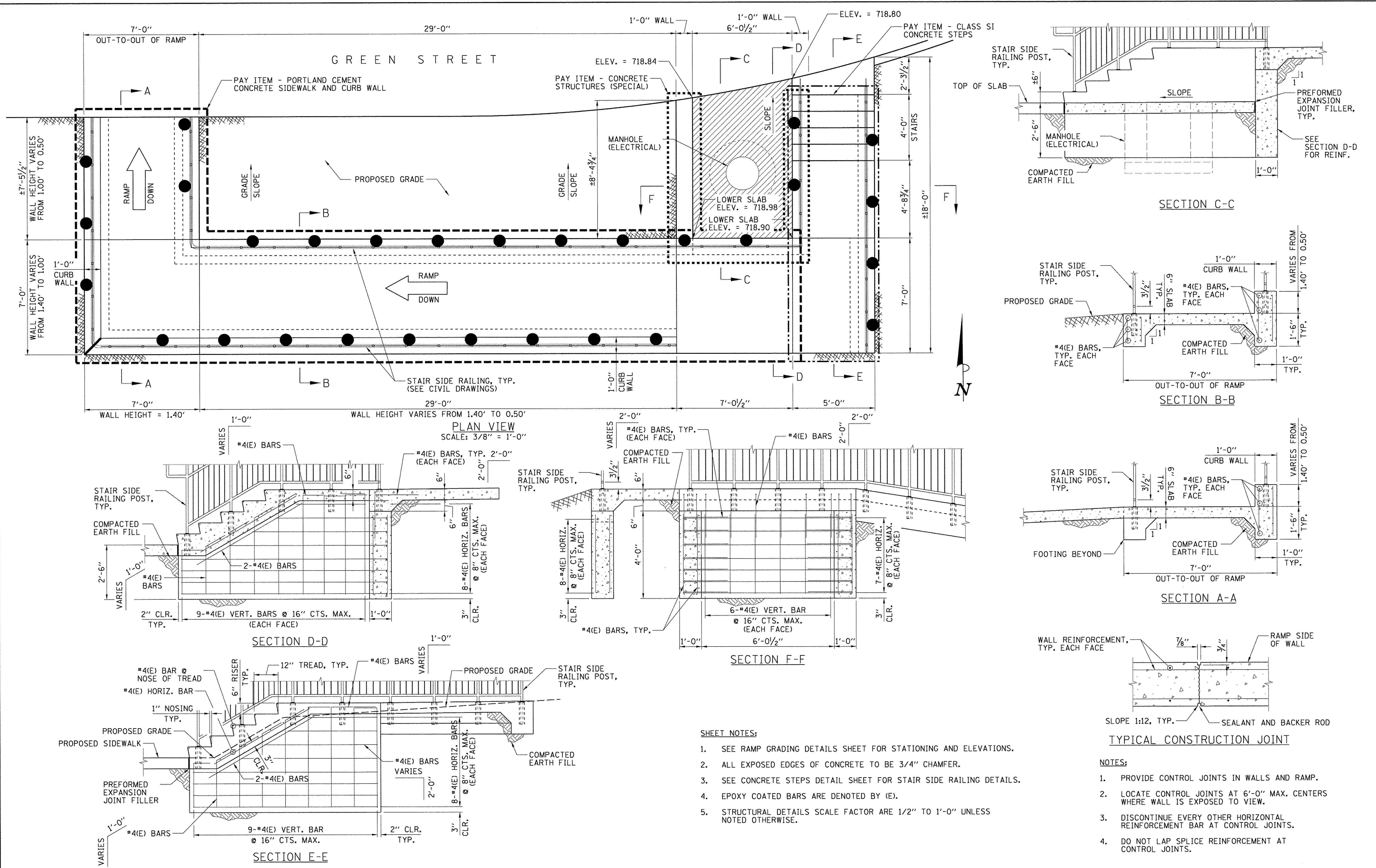
DESIGNED -	DLC	REVISED -	
DRAWN -	DLC	REVISED -	
CHECKED -	MGD	REVISED -	
DATE -	8/26/2016	REVISED -	

STATE OF ILLINOIS
 DEPARTMENT OF TRANSPORTATION

PROJECT 1 - GOODWIN-GREEN APARTMENTS
 GOODWIN/GREEN APARTMENT RAMP GRADING DETAILS

SCALE: 1"=5' SHEET NO. OF SHEETS STA. TO STA.

F.A.U. RTE.	SECTION	COUNTY	TOTAL SHEETS	SHEET NO.
7126	15-00304-01-PV	CHAMPAIGN	236	179
MCORE PROJECT 1			CONTRACT NO. 91539	
JOB NO. C-95-305-16 ILLINOIS FED. AID PROJECT TIG-5181057				



- SHEET NOTES:**
1. SEE RAMP GRADING DETAILS SHEET FOR STATIONING AND ELEVATIONS.
 2. ALL EXPOSED EDGES OF CONCRETE TO BE 3/4" CHAMFER.
 3. SEE CONCRETE STEPS DETAIL SHEET FOR STAIR SIDE RAILING DETAILS.
 4. EPOXY COATED BARS ARE DENOTED BY (E).
 5. STRUCTURAL DETAILS SCALE FACTOR ARE 1/2" TO 1'-0" UNLESS NOTED OTHERWISE.

- NOTES:**
1. PROVIDE CONTROL JOINTS IN WALLS AND RAMP.
 2. LOCATE CONTROL JOINTS AT 6'-0" MAX. CENTERS WHERE WALL IS EXPOSED TO VIEW.
 3. DISCONTINUE EVERY OTHER HORIZONTAL REINFORCEMENT BAR AT CONTROL JOINTS.
 4. DO NOT LAP SPLICE REINFORCEMENT AT CONTROL JOINTS.

LAYOUT	DLC	3/22/16
DRAWN	GTJ	3/22/16
REVIEWED	MGD	3/22/16

FILE NAME =	Z:\Plans\Sheets\Project1\11-sht-detail104A.dgn
PLOT DATE =	8/25/2016 1:53:45 PM

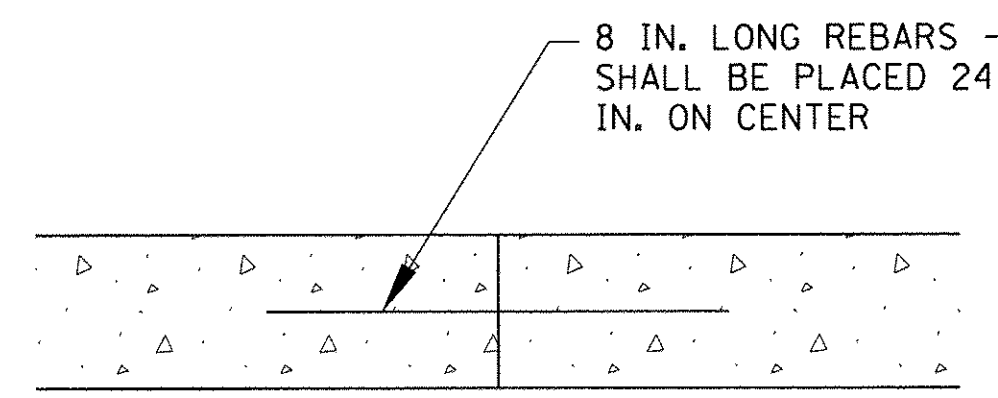
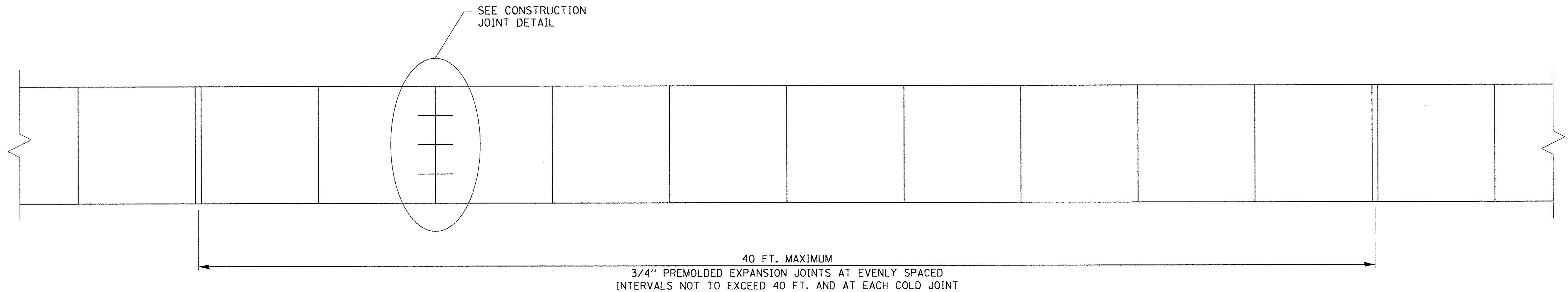
DESIGNED -	DLC	REVISED -	
DRAWN -	GTJ	REVISED -	
CHECKED -	MGD	REVISED -	
DATE -	8/26/2016	REVISED -	

STATE OF ILLINOIS
 DEPARTMENT OF TRANSPORTATION

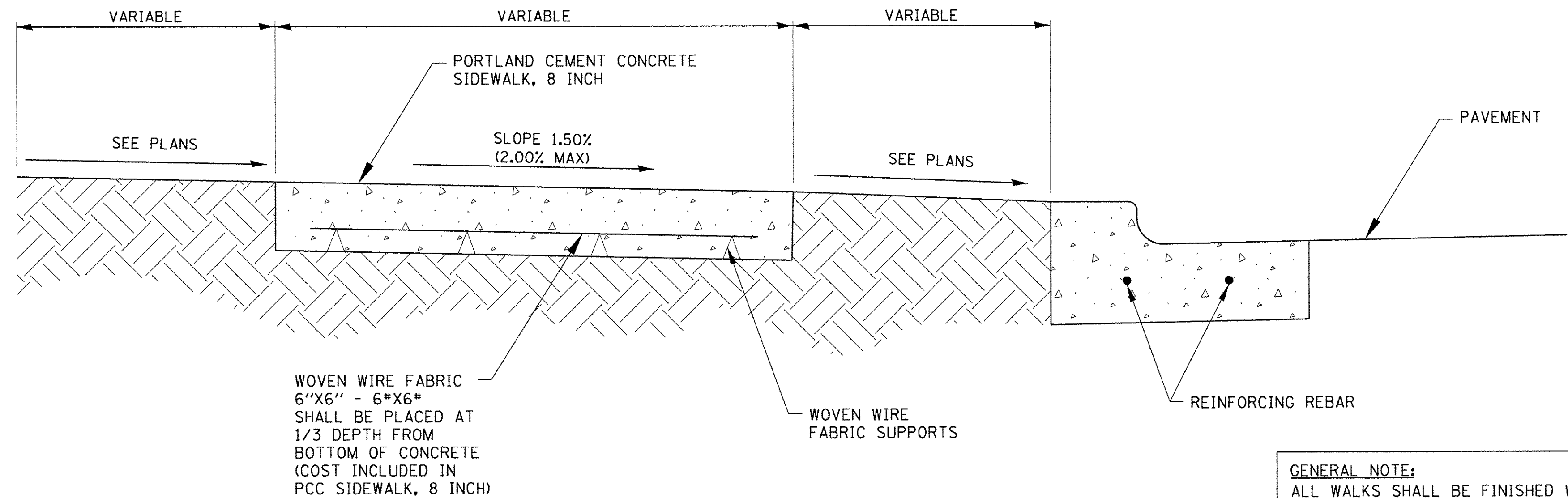
PROJECT 1 - GOODWIN-GREEN APARTMENTS
 RAMP STRUCTURAL DETAILS

SCALE: N.T.S. SHEET NO. OF SHEETS STA. TO STA.

F.A.U. RTE.	SECTION	COUNTY	TOTAL SHEETS	SHEET NO.
7126	15-00304-01-PV	CHAMPAIGN	236	180
MCORE PROJECT 1			CONTRACT NO. 91539	
JOB NO. C-95-305-16 ILLINOIS FED. AID PROJECT TIG-5181057				

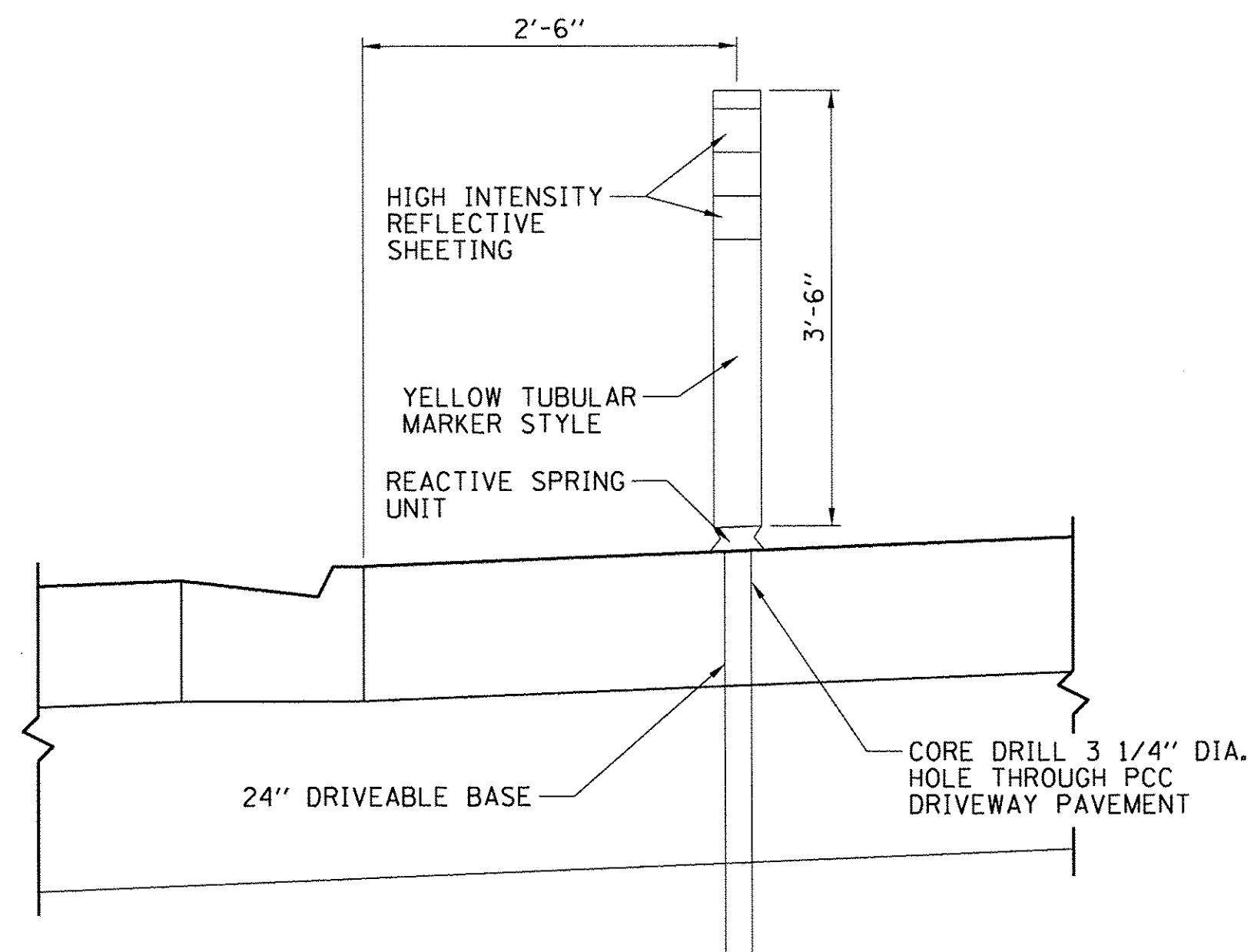


CONSTRUCTION JOINT DETAIL
 SCALE: NONE



PCC SIDEWALK, 8 INCH

GENERAL NOTE:
 ALL WALKS SHALL BE FINISHED WITH STIFF BROOM FINISH WITH HAND TOOLED JOINTS WITH PRONOUNCED WINDOWS.



FOLD DOWN BOLLARDS DETAIL

LAYOUT	MOD	11/24/15
DRAWN	RLA	2/4/16
REVIEWED	MOD	3/22/16

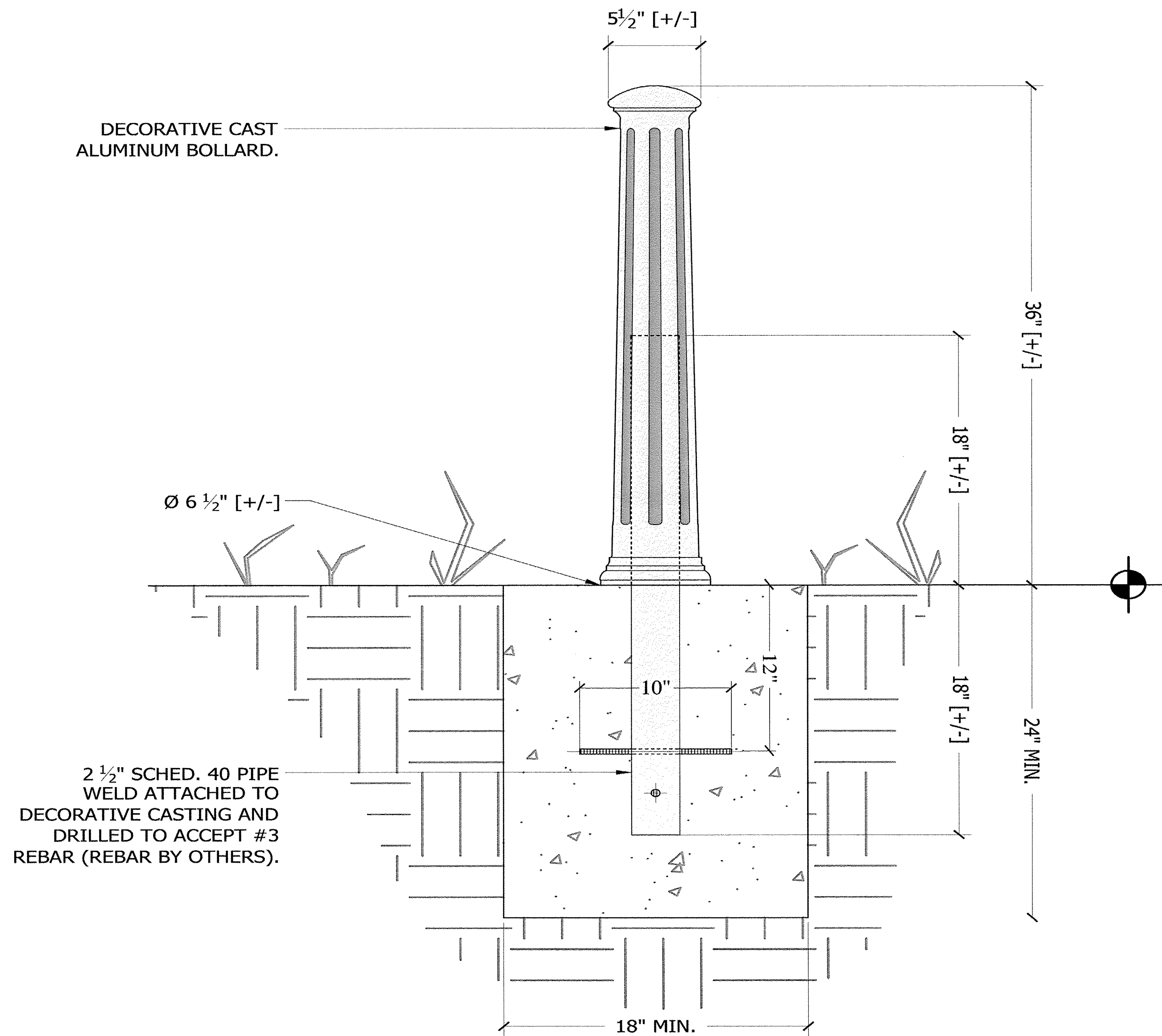
FILE NAME =	Z:\Plans\sheets\Project1\p1-sht-detail107.dgn
PLOT DATE =	8/25/2016 1:53:53 PM

DESIGNED -	MGD	REVISED -	
DRAWN -	RLA	REVISED -	
CHECKED -	MGD	REVISED -	
DATE -	8/26/2016	REVISED -	

STATE OF ILLINOIS
 DEPARTMENT OF TRANSPORTATION

PROJECT 1 - GREEN STREET SIDEWALK DETAILS			
SCALE: N/A	SHEET NO.	OF SHEETS	STA. TO STA.

F.A.U. RTE.	SECTION	COUNTY	TOTAL SHEETS	SHEET NO.
7126	15-00304-01-PV	CHAMPAIGN	236	181
MCORE PROJECT 1			CONTRACT NO. 91539	
JOB NO. C-95-305-16 ILLINOIS FED. AID PROJECT TIG-5181057				



DECORATIVE CAST ALUMINUM BOLLARD.

2 1/2" SCHED. 40 PIPE WELD ATTACHED TO DECORATIVE CASTING AND DRILLED TO ACCEPT #3 REBAR (REBAR BY OTHERS).

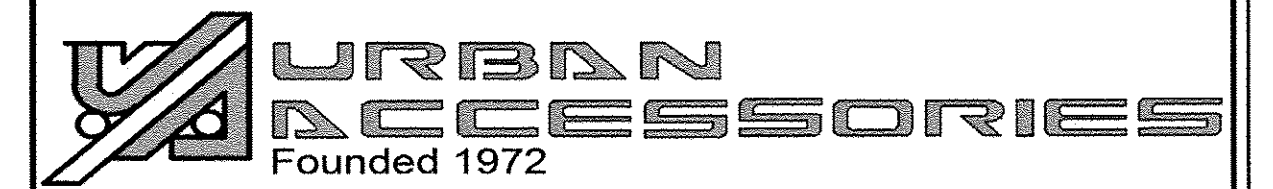
SPECIFICATIONS

- Cast components will be of 100% recycled aluminum; ASTM B261.
- Castings will be squared and flat, free of burrs, slag, air pockets, blow holes, flashing, and grinding or welding on exposed surfaces. Excessive warping or shrinkage is not acceptable.
- Fabricated components will be of structural aluminum, 6061 - T6.
- All visible welds to be ground smooth on outside edges.
- Fabrication will be true to square, or diameter and sized within 1/8".
- Finish to be powder coat, standard UA color and applied per UA specifications. If alternate color or finish is required, please provide all finish information for UA approval.
- Dimensions shown are nominal.
- For cases of "or equal" consideration, our finished, full size product should be compared with the alternative product for general quality, surface finish, precise pattern work, metal characteristics, and overall design aesthetics.
- Color shall be semi-gloss black.

Bollard

San Francisco
 Cast In

Page: 1 of 1 Date: 2/7/13



465 E. FIFTEENTH ST. sales@urbanaccessories.com
 TACOMA, WA 98421 www.urbanaccessories.com
 (877) 487-0488

LAYOUT	11/24/15
MOD	2/4/16
DRAWN	2/4/16
REVIEWED	3/22/16
MOD	
RLA	
MGD	

FILE NAME =	Z:\Plans\sheets\Project1\p1-sht-detail108.dgn
PLOT DATE =	8/25/2016 1:53:57 PM

DESIGNED -	MGD	REVISED -	
DRAWN -	RLA	REVISED -	
CHECKED -	MGD	REVISED -	
DATE -	8/26/2016	REVISED -	

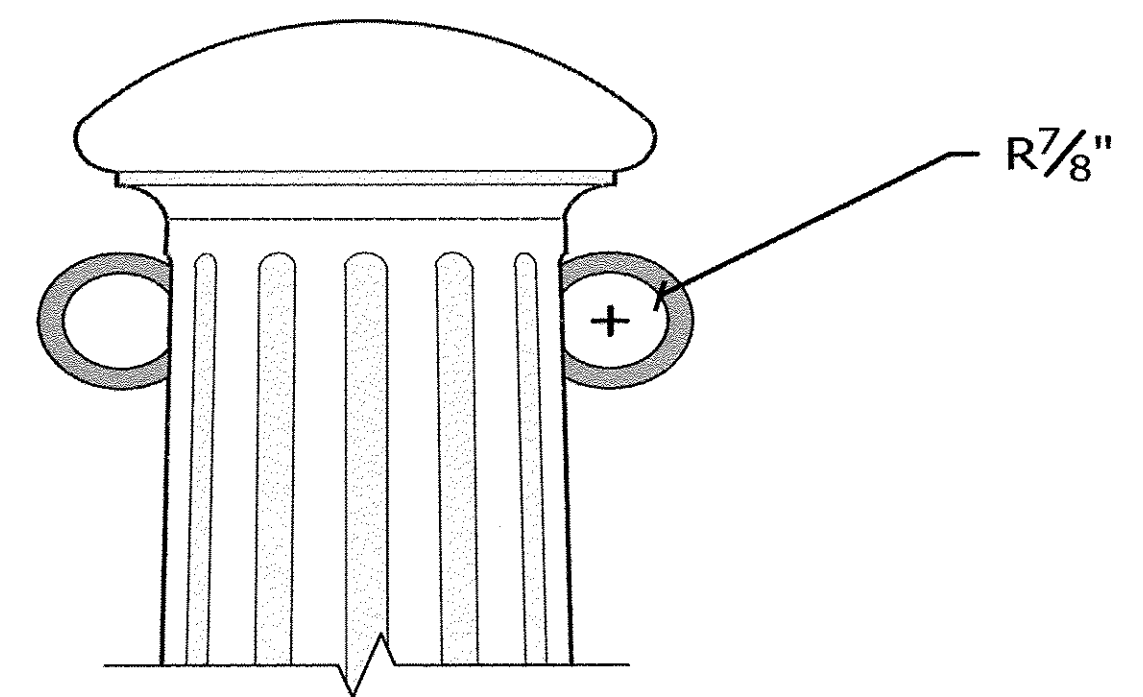
STATE OF ILLINOIS
 DEPARTMENT OF TRANSPORTATION

PROJECT 1 - GREEN STREET			
BOLLARD DETAILS			
SCALE: N/A	SHEET NO.	OF SHEETS	STA. TO STA.

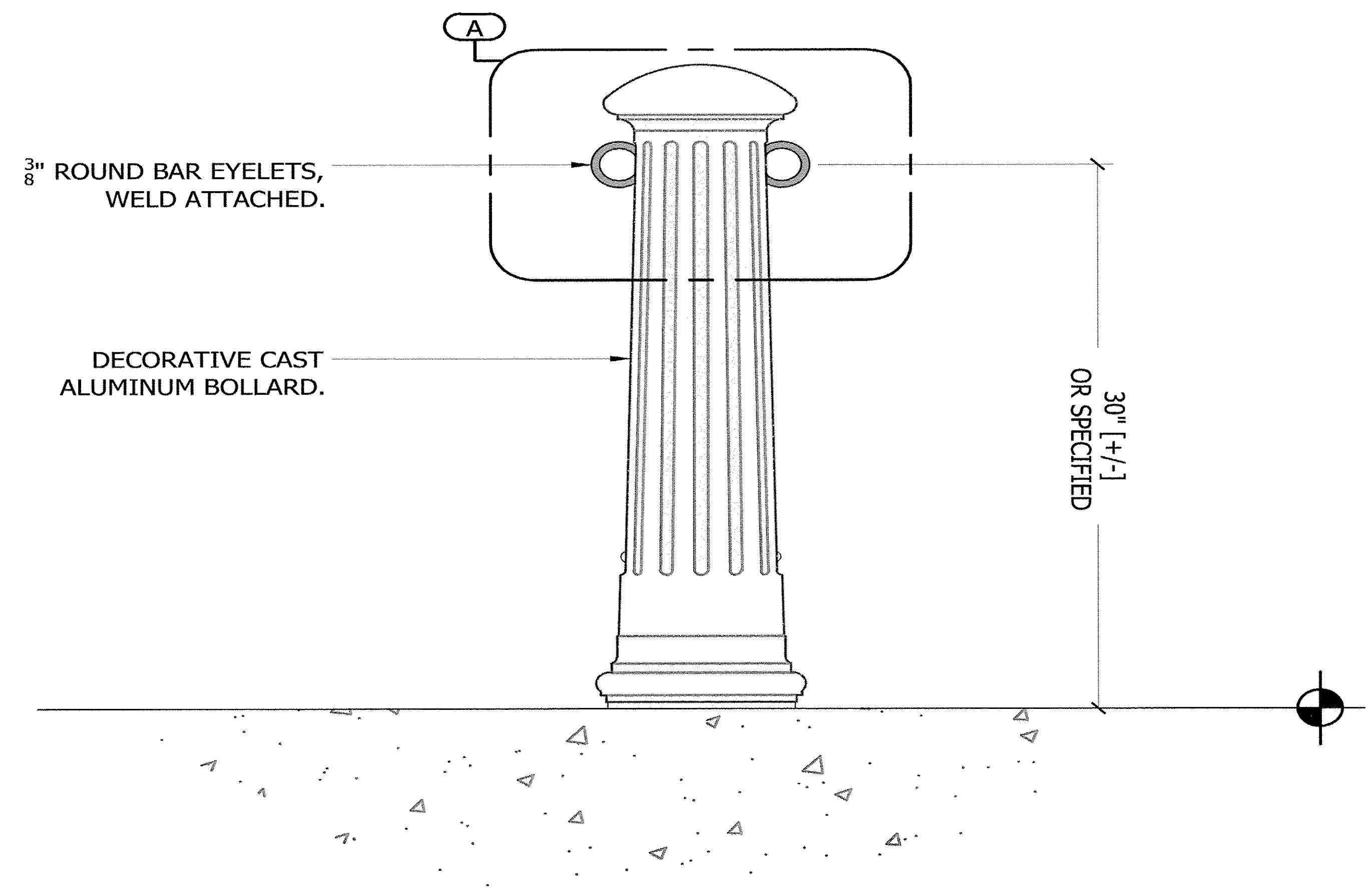
F.A.U. RTE.	SECTION	COUNTY	TOTAL SHEETS	SHEET NO.
7126	15-00304-01-PV	CHAMPAIGN	236	182
MCORE PROJECT 1			CONTRACT NO. 91539	
JOB NO. C-95-305-16			ILLINOIS FED. AID PROJECT T16-5181057	

SPECIFICATIONS

- Weld shall be smooth finished.
- Eyelet material shall be per manufacturer specifications.



Detail A



3/4" ROUND BAR EYELETS,
WELD ATTACHED.

DECORATIVE CAST
ALUMINUM BOLLARD.

30" (+/-)
OR SPECIFIED

Bollard
Bollard with Eyelet

Page: 1 of 1 Date: 7/15/13



465 E. FIFTEENTH ST. sales@urbanaccessories.com
 TACOMA, WA 98421 www.urbanaccessories.com
 (877) 487-0488

LAYOUT	MOD	11/24/15
DRAWN	PLA	2/4/16
REVIEWED	MOD	3/22/16

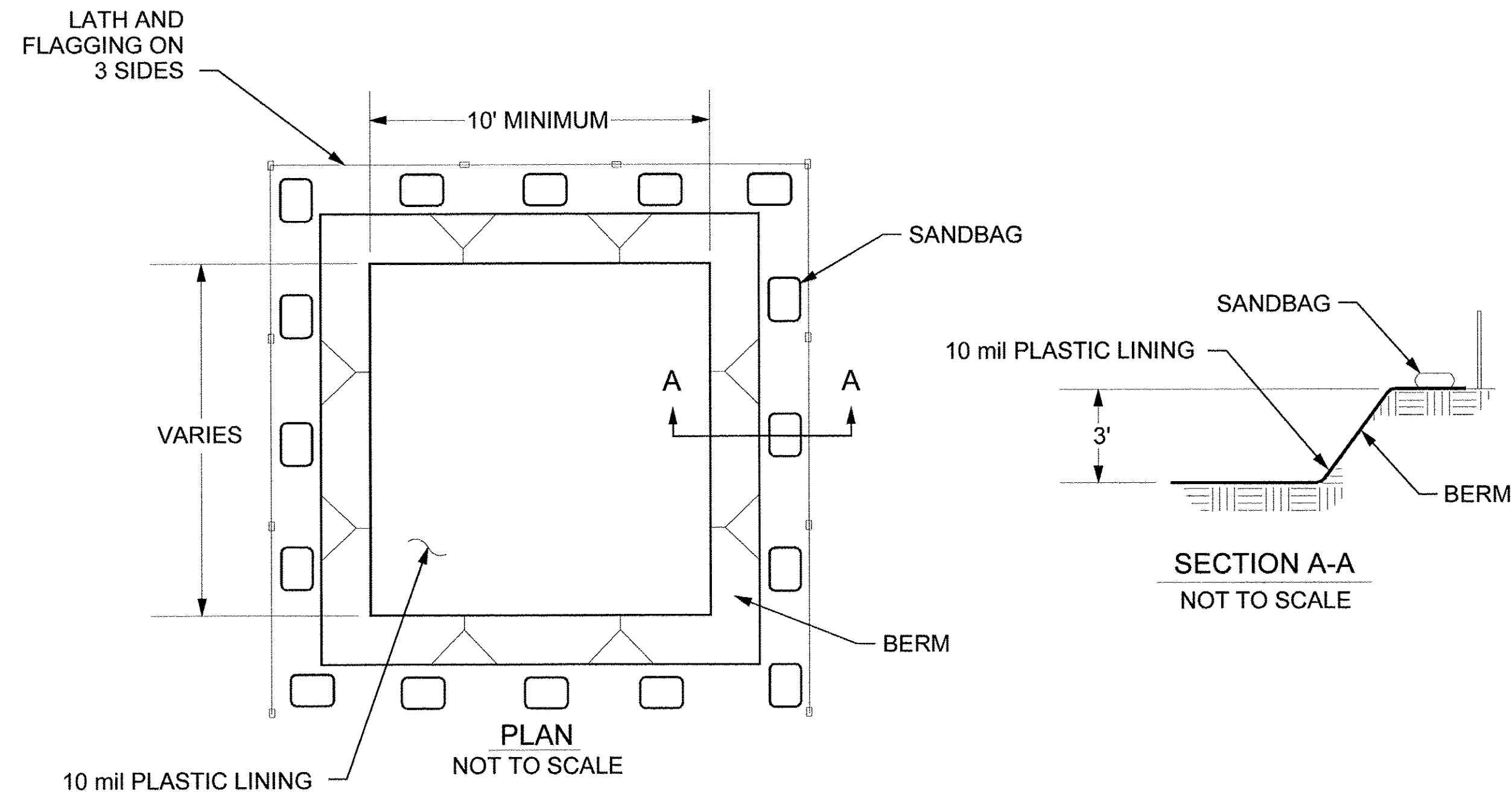
FILE NAME =	DESIGNED - MGD	REVISED -
Z:\Plans\sheets\Project1\P1-sht-detail109.dgn	DRAWN - RLA	REVISED -
PLOT DATE =	CHECKED - MGD	REVISED -
8/25/2016 1:54:12 PM	DATE - 8/26/2016	REVISED -

STATE OF ILLINOIS
 DEPARTMENT OF TRANSPORTATION

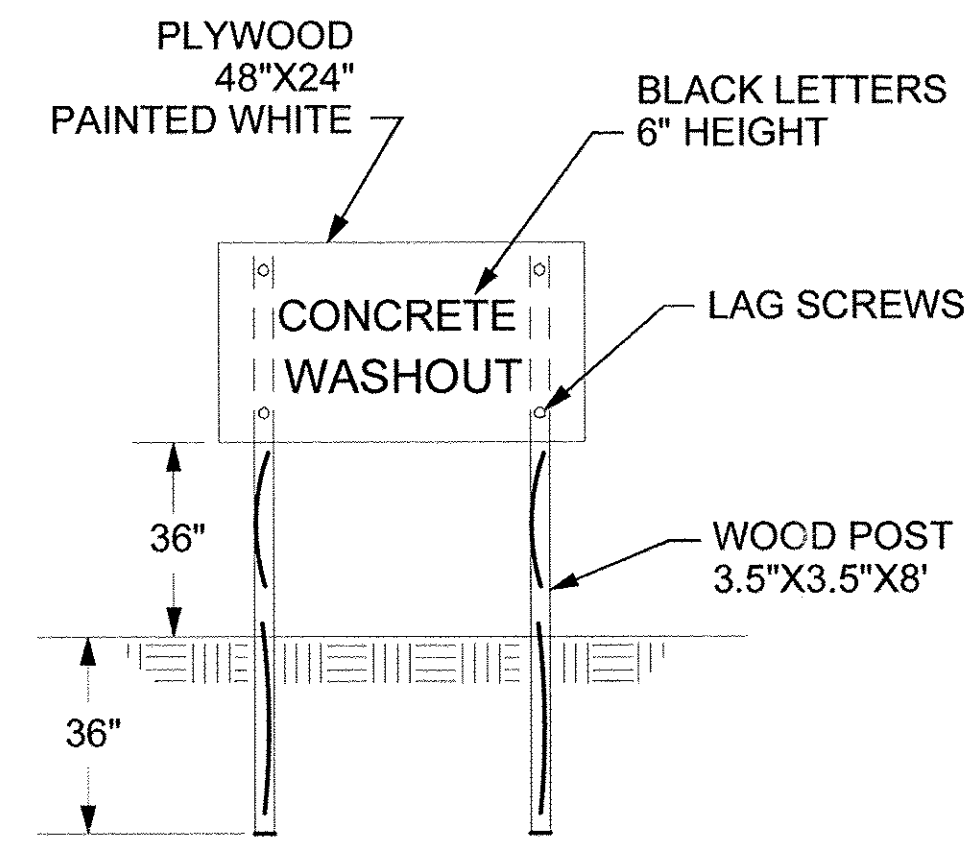
PROJECT 1 - GREEN STREET
 BOLLARD DETAILS

SCALE: N/A SHEET NO. OF SHEETS STA. TO STA.

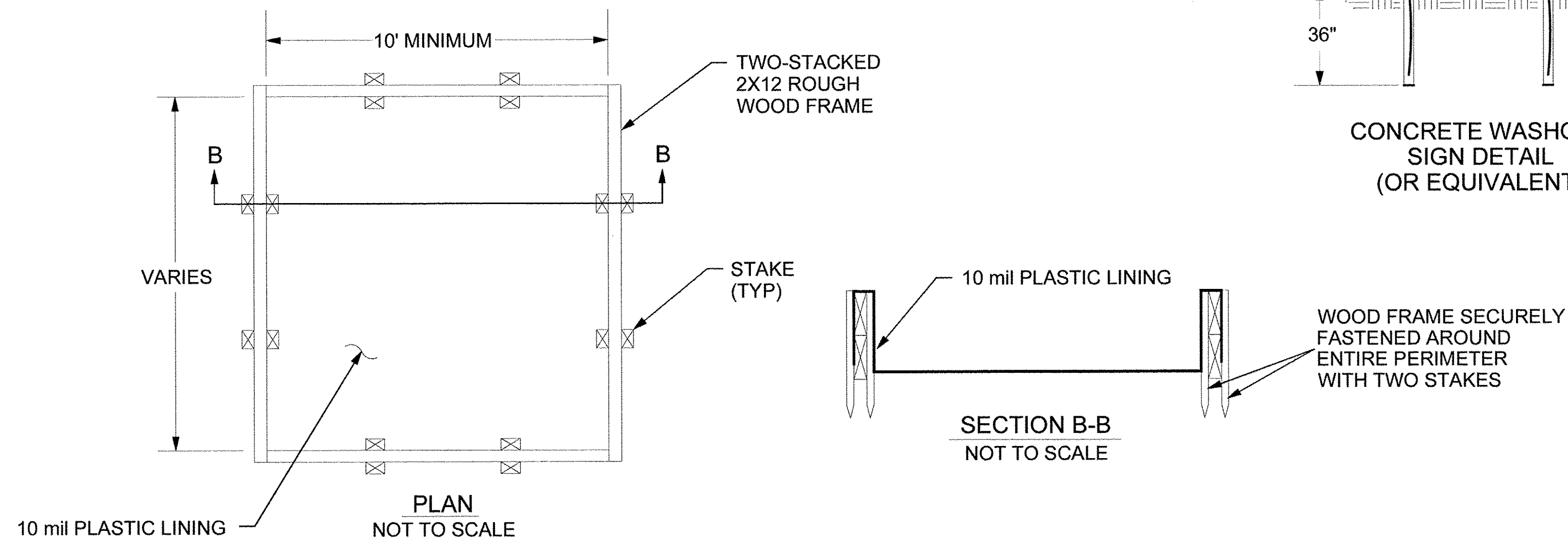
F.A.U. RTE.	SECTION	COUNTY	TOTAL SHEETS	SHEET NO.
7126	15-00304-01-PV	CHAMPAIGN	236	183
MCORE PROJECT 1			CONTRACT NO. 91539	
JOB NO. C-95-305-16			ILLINOIS FED. AID PROJECT T16-5181057	



BELOW GRADE WASHOUT



**CONCRETE WASHOUT
SIGN DETAIL
(OR EQUIVALENT)**



ABOVE GRADE WASHOUT

CONCRETE WASHOUT FACILITIES NOTES

GENERAL

- PCC AND AC WASTES SHALL BE COLLECTED AND DISPOSED OF OR PLACED IN A CONCRETE WASHOUT FACILITY, NO PCC OR AC WASTES SHALL ENTER THE STORM SEWER SYSTEM OR WATERCOURSE.
- SIGN SHALL BE INSTALLED ADJACENT TO EACH FACILITY TO INFORM CONCRETE EQUIPMENT OPERATORS TO UTILIZE PROPER FACILITIES.
- BELOW GRADE FACILITIES ARE TYPICAL. ABOVE GRADE FACILITIES ARE UTILIZED IF EXCAVATION IS NOT PRACTICAL.
- WASHOUT FACILITIES SHALL HAVE SUFFICIENT VOLUME TO CONTAIN ALL LIQUID AND WASTE CONCRETE MATERIALS GENERATED BY WASHOUT AND CONSTRUCTION ACTIVITIES.
- ONCE CONCRETE WASTES ARE DISCHARGED TO FACILITY AND ALLOWED TO HARDEN, THE CONCRETE WASTE SHOULD BE BROKEN UP AND DISPOSED OF IN ACCORDANCE WITH STATE AND LOCAL LAW.
- PLASTIC LINING SHALL BE FREE OF HOLES, TEARS, OR OTHER DEFECTS THAT COMPRISE THE IMPERMEABILITY OF THE MATERIAL.
- A MINIMUM FREEBOARD 12-INCHES IS REQUIRED FOR BELOW GRADE FACILITIES AND A MINIMUM OF 4-INCHES FREEBOARD IS REQUIRED FOR ABOVE GRADE FACILITIES.

REMOVAL

- WHEN FACILITIES ARE NO LONGER REQUIRED FOR CONSTRUCTION WORK, THE MATERIALS USED TO CONSTRUCT THE FACILITY SHALL BE REMOVED FROM THE SITE AND DISPOSED OF IN ACCORDANCE WITH THE STATE AND LOCAL LAW.
- HOLES, DEPRESSIONS OR OTHER GRAOUND DISTURBANCE CAUSED BY REMOVAL OF THE FACILITY SHALL BE BACKFILLED AND RESTORED TO ITS PRE-EXISTING CONDITION OR INTENDED USE.

MAINTENANCE

- FACILITIES MUST BE CLEANED OR NEW FACILITIES CONSTRUCTED ONCE THE WASHOUT IS 75% FULL.
- REMOVE AND DISPOSE OF HARDENED CONCRETE MATERIALS TO RETURN FACILITIES TO A FUNCTIONAL CONDITION.
- INSPECT WASHOUT FACILITY ON A WEEKLY BASIS.

LAYOUT	MOD	3/2/16
DRAWN	RLA	3/2/16
REVIEWED	MGD	3/22/16

FILE NAME =
Z:\Plans\sheets\Project1\p1-sht-detail114.dgn

PLOT DATE =
8/25/2016 1:54:29 PM

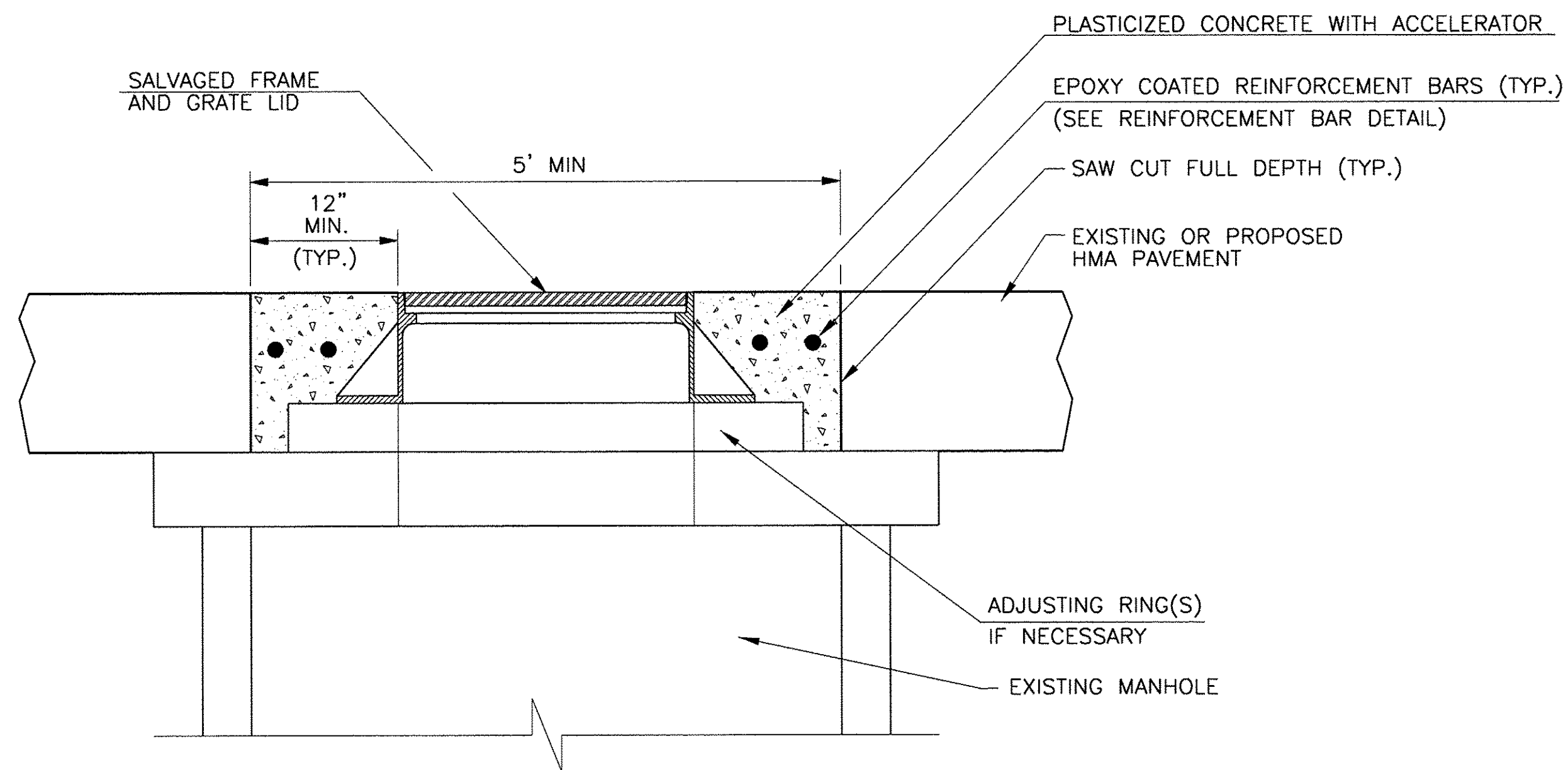
DESIGNED -	MGD	REVISED -	
DRAWN -	RLA	REVISED -	
CHECKED -	MGD	REVISED -	
DATE -	8/26/2016	REVISED -	

STATE OF ILLINOIS
DEPARTMENT OF TRANSPORTATION

PROJECT 1 - GREEN STREET
CONCRETE WASHOUT DETAIL

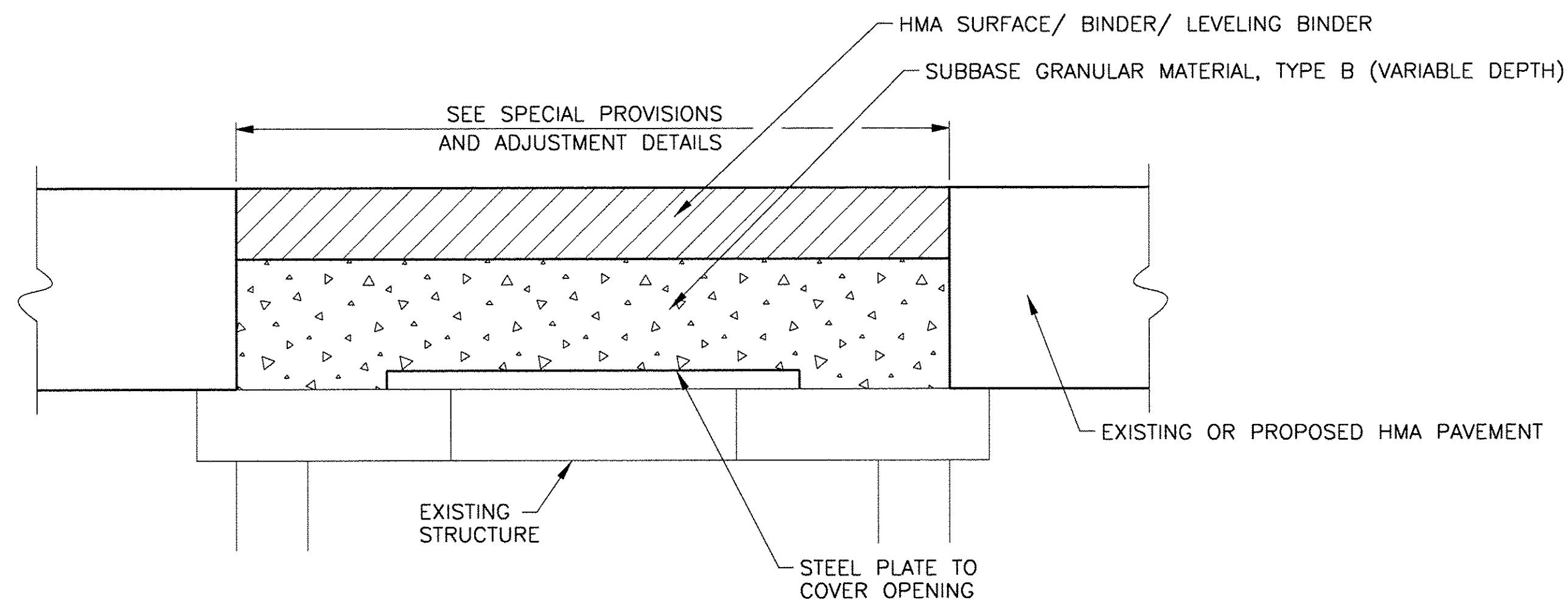
SCALE: N/A SHEET NO. OF SHEETS STA. TO STA.

F.A.U. RTE.	SECTION	COUNTY	TOTAL SHEETS	SHEET NO.
7126	15-00304-01-PV	CHAMPAIGN	236	184
MCCORE PROJECT 1			CONTRACT NO. 91539	
JOB NO. C-95-305-16			ILLINOIS FED. AID PROJECT T1G-51810571	



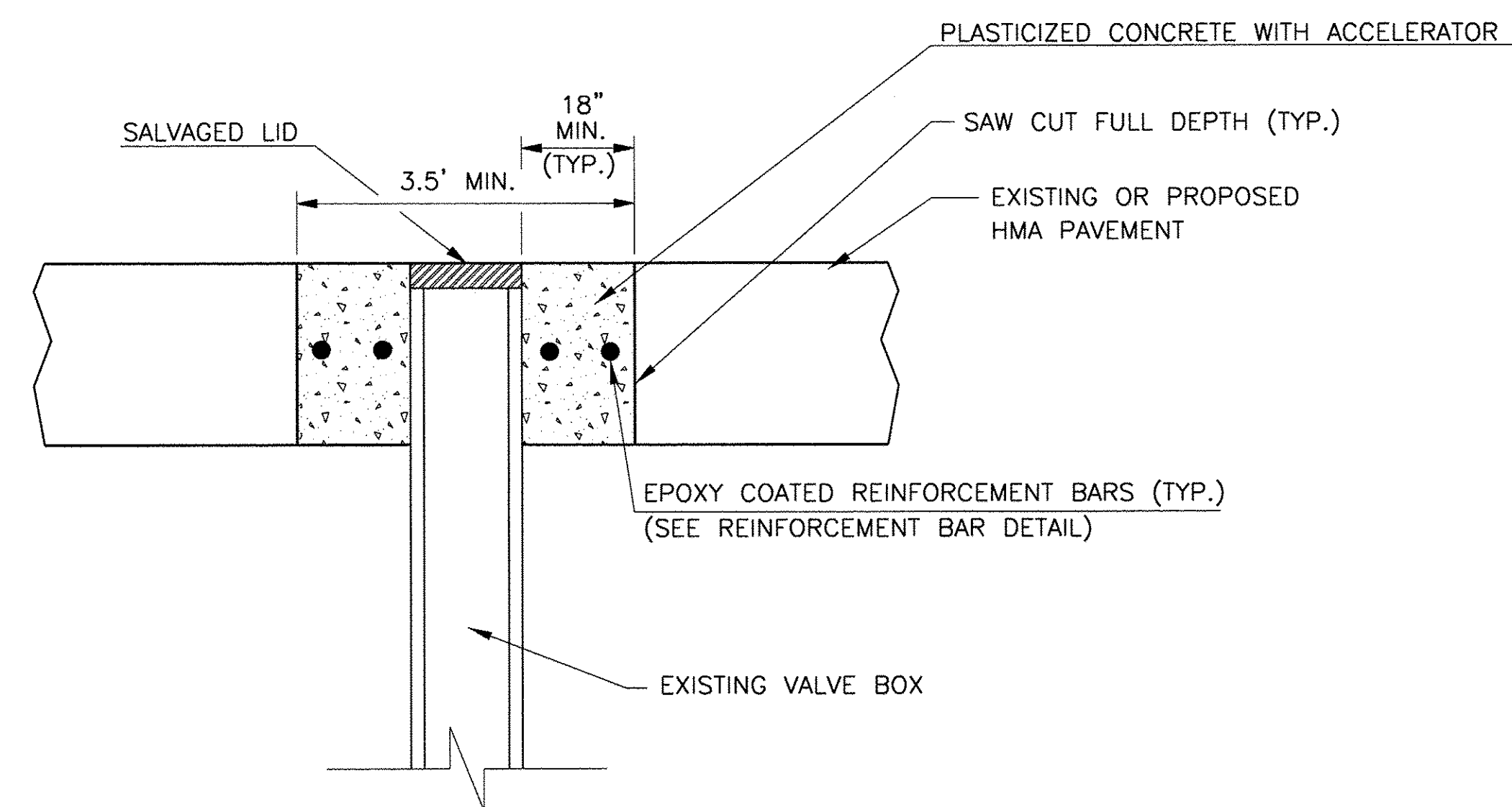
NOTE:
THIS WORK WILL BE PAID FOR AT THE CONTRACT UNIT PRICE EACH FOR MANHOLES TO BE ADJUSTED (SPECIAL), WHICH PRICE SHALL INCLUDE ALL LABOR, MATERIAL, AND EQUIPMENT NECESSARY TO COMPLETE THE WORK, INCLUDING SAW CUTTING, PAVEMENT REMOVAL, EXCAVATION, ADJUSTING RINGS, PLACEMENT OF THE SALVAGED FRAME AND LID, AND PLACEMENT OF THE PLASTICIZED BLACK CONCRETE PATCH WITH REINFORCEMENT BARS. SEE THE TEMPORARY PAVEMENT PATCH DETAIL AND THE SPECIAL PROVISIONS FOR ADDITIONAL INFORMATION.

MANHOLE FRAME AND LID ADJUSTMENT DETAIL
WITHIN HMA PAVEMENT AREAS



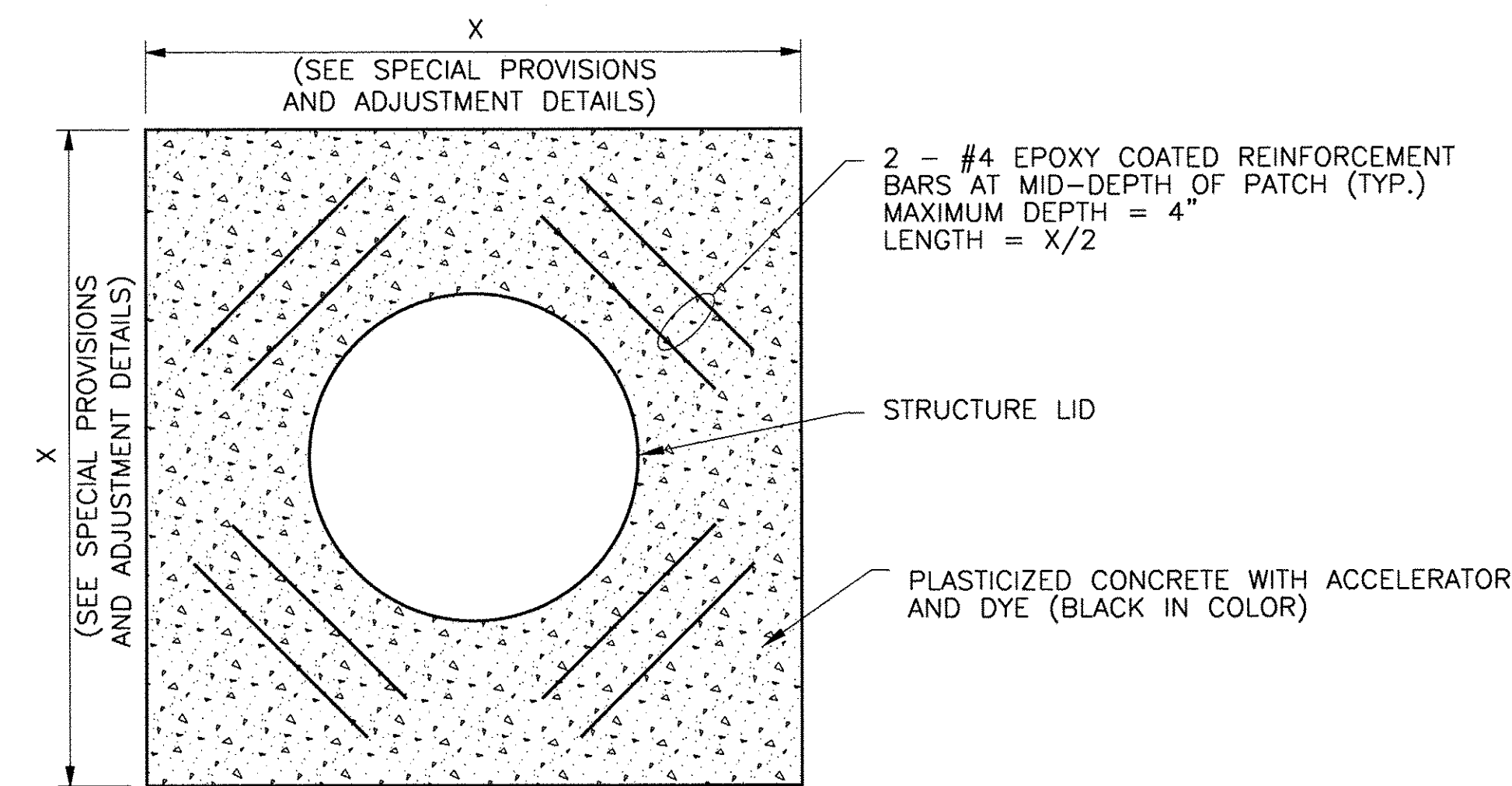
NOTE:
THIS DETAIL IS FOR THE TEMPORARY PAVEMENT PATCHES ABOVE STRUCTURES TO BE ADJUSTED IN HMA PAVEMENT AREAS. THE TEMPORARY PAVEMENT PATCHES ARE REQUIRED UNTIL THE CASTINGS OR BOXES ARE ADJUSTED TO GRADE AFTER THE HMA SURFACING IS COMPLETE AND THE PERMANENT CONCRETE PAVEMENT PATCHES ARE CONSTRUCTED. FURNISHING AND INSTALLING THE STEEL PLATE AND TEMPORARY PAVEMENT PATCHES, INCLUDING SUBBASE GRANULAR MATERIAL, SHALL BE INCLUDED IN THE COST OF THE STRUCTURE TO BE ADJUSTED, AND NO ADDITIONAL COMPENSATION WILL BE ALLOWED. SEE THE SPECIAL PROVISIONS FOR ADDITIONAL INFORMATION.

TEMPORARY PAVEMENT PATCH DETAIL



NOTE:
THIS WORK WILL BE PAID FOR AT THE CONTRACT UNIT PRICE EACH FOR VALVE BOXES TO BE ADJUSTED (SPECIAL), WHICH PRICE SHALL INCLUDE ALL LABOR, MATERIAL, AND EQUIPMENT NECESSARY TO COMPLETE THE WORK, INCLUDING SAW CUTTING, PAVEMENT REMOVAL, EXCAVATION, ADJUSTMENT OF THE VALVE BOX, AND PLACEMENT OF THE PLASTICIZED BLACK CONCRETE PATCH WITH REINFORCEMENT BARS. SEE THE TEMPORARY PAVEMENT PATCH DETAIL AND THE SPECIAL PROVISIONS FOR ADDITIONAL INFORMATION.

VALVE BOX ADJUSTMENT DETAIL
WITHIN HMA PAVEMENT AREAS



NOTES:
1. THE REINFORCEMENT BARS SHALL BE EPOXY COATED.
2. THE REINFORCEMENT BARS SHALL BE INCLUDED IN THE COST OF THE MANHOLE ADJUSTMENT OR THE VALVE BOX ADJUSTMENT.
3. THE MINIMUM CLEARANCE BETWEEN REINFORCEMENT BARS, CASTINGS, VALVE BOXES, AND PATCH EDGES SHALL BE 3 INCHES.

REINFORCEMENT BAR DETAIL

© Copyright Hanson Professional Services, Inc. 2016
HANSON
Hanson Professional Services Inc.

LAYOUT	BAB	3/10/16
DRAWN	RLA	3/10/16
REVIEWED	MGD	3/22/16

FILE NAME = Z:\Plans\sheets\Project1\p1-sht-detail119.dgn
PLOT DATE = 8/25/2016 1:54:41 PM

DESIGNED - BAB
DRAWN - RLA
CHECKED - MGD
DATE - 8/26/2016

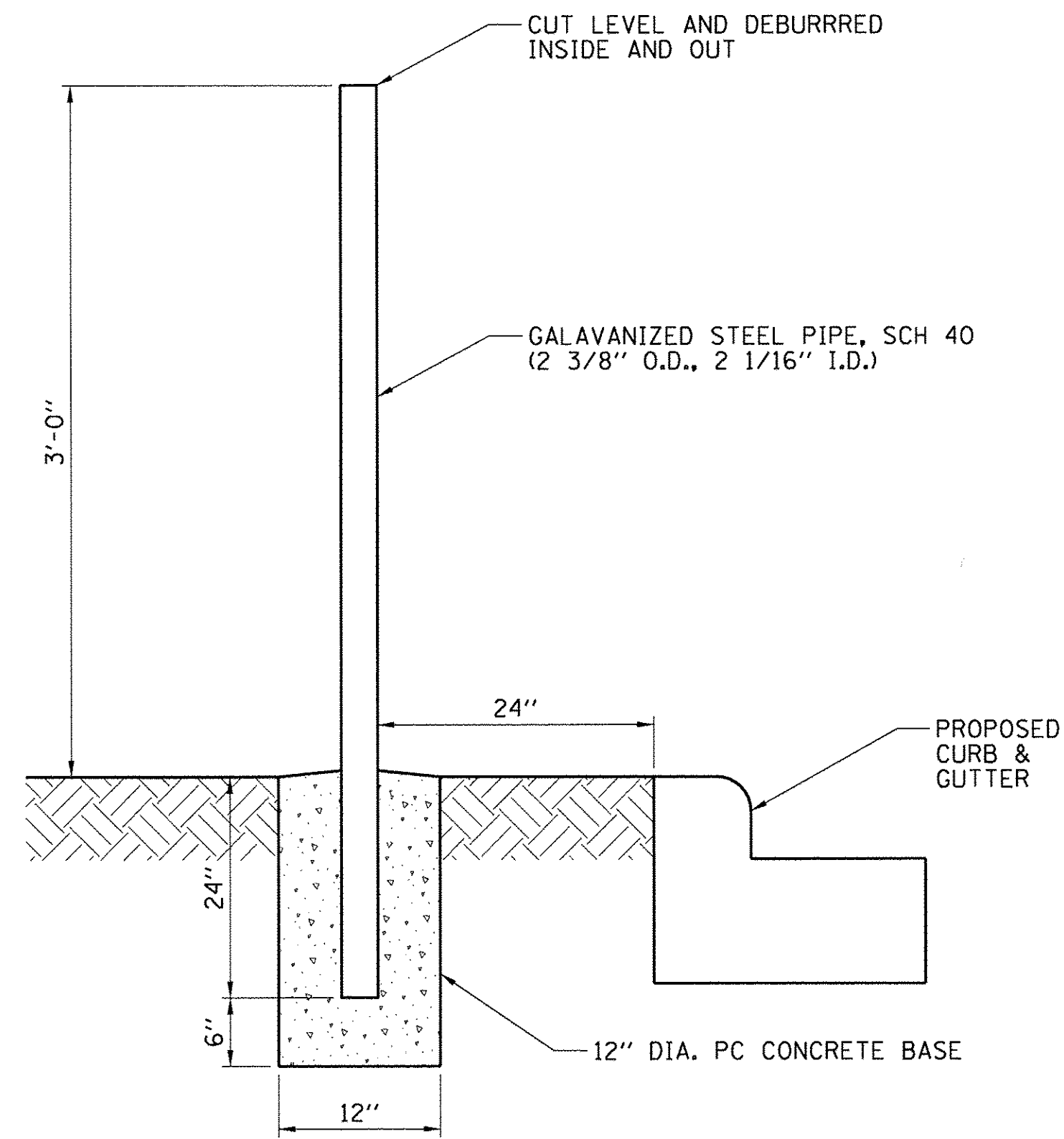
REVISED -
REVISED -
REVISED -
REVISED -

STATE OF ILLINOIS
DEPARTMENT OF TRANSPORTATION

PROJECT 1 - GREEN STREET
ADJUSTMENT DETAILS

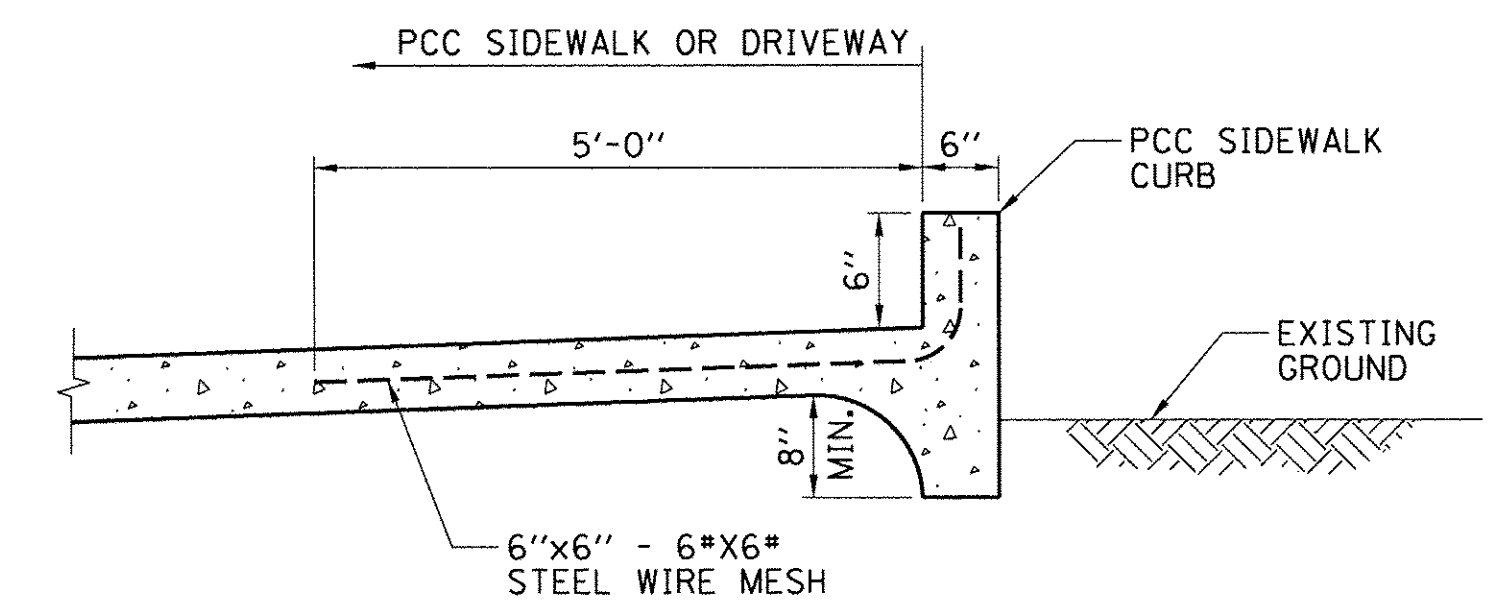
SCALE: N/A SHEET NO. OF SHEETS STA. TO STA.

F.A.U. RTE.	SECTION	COUNTY	TOTAL SHEETS	SHEET NO.
7126	15-00304-01-PV	CHAMPAIGN	236	185
MCORE PROJECT 1			CONTRACT NO. 91539	
JOB NO. C-95-305-16 ILLINOIS FED. AID PROJECT TIG-51810571				



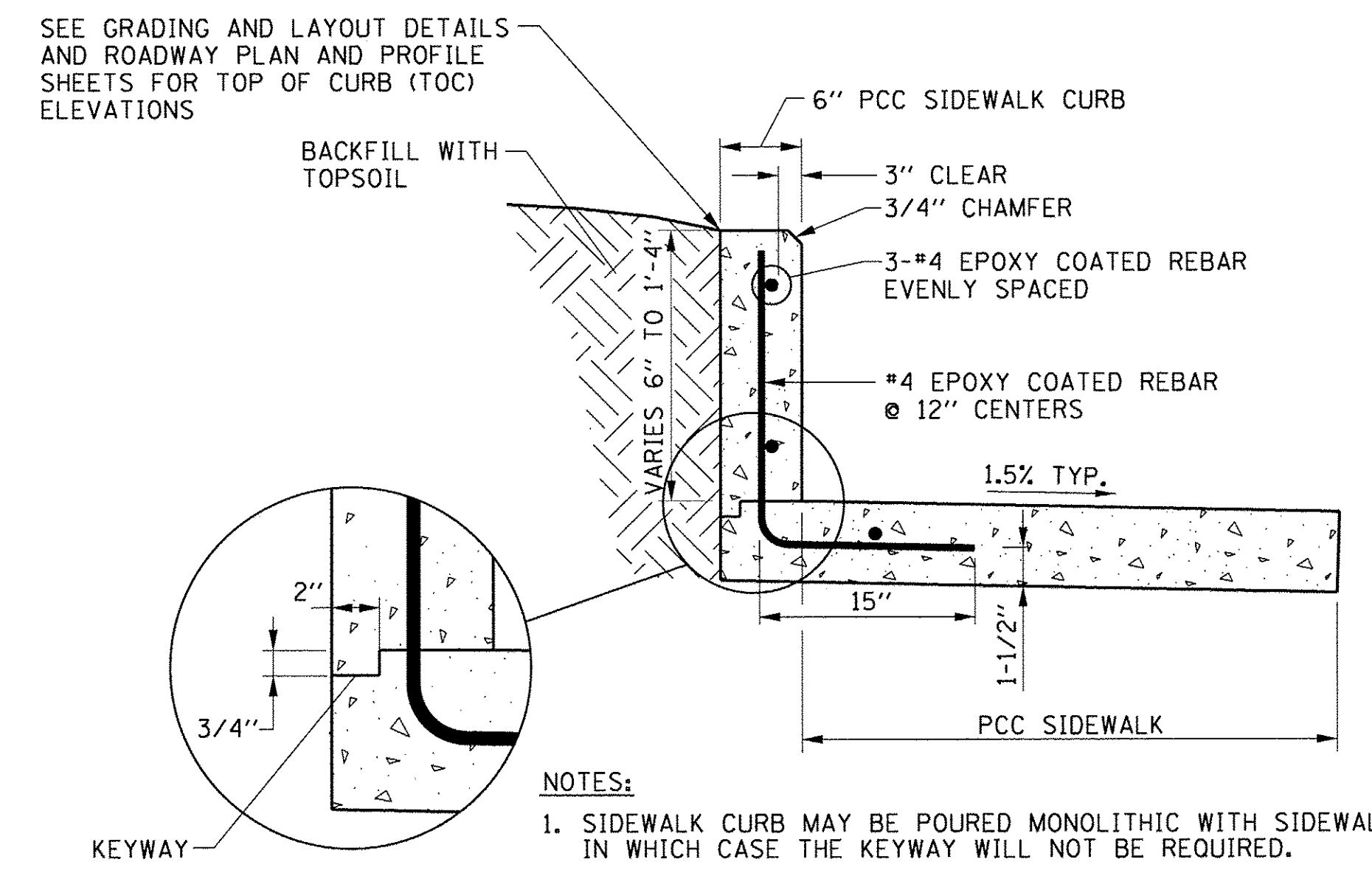
STEEL POSTS, SPECIAL DETAIL

- NOTES:**
1. THE CONCRETE BASE SHALL BE FINISHED TO DRAIN WATER AWAY FROM THE BASE OF PIPE.
 2. STEEL POSTS, SPECIAL PRE-PRIMER AND PRIMER COATS SHALL BE FACTORY APPLIED; ALL FINISH COATS SHALL BE APPLIED BLACK EPOXY.



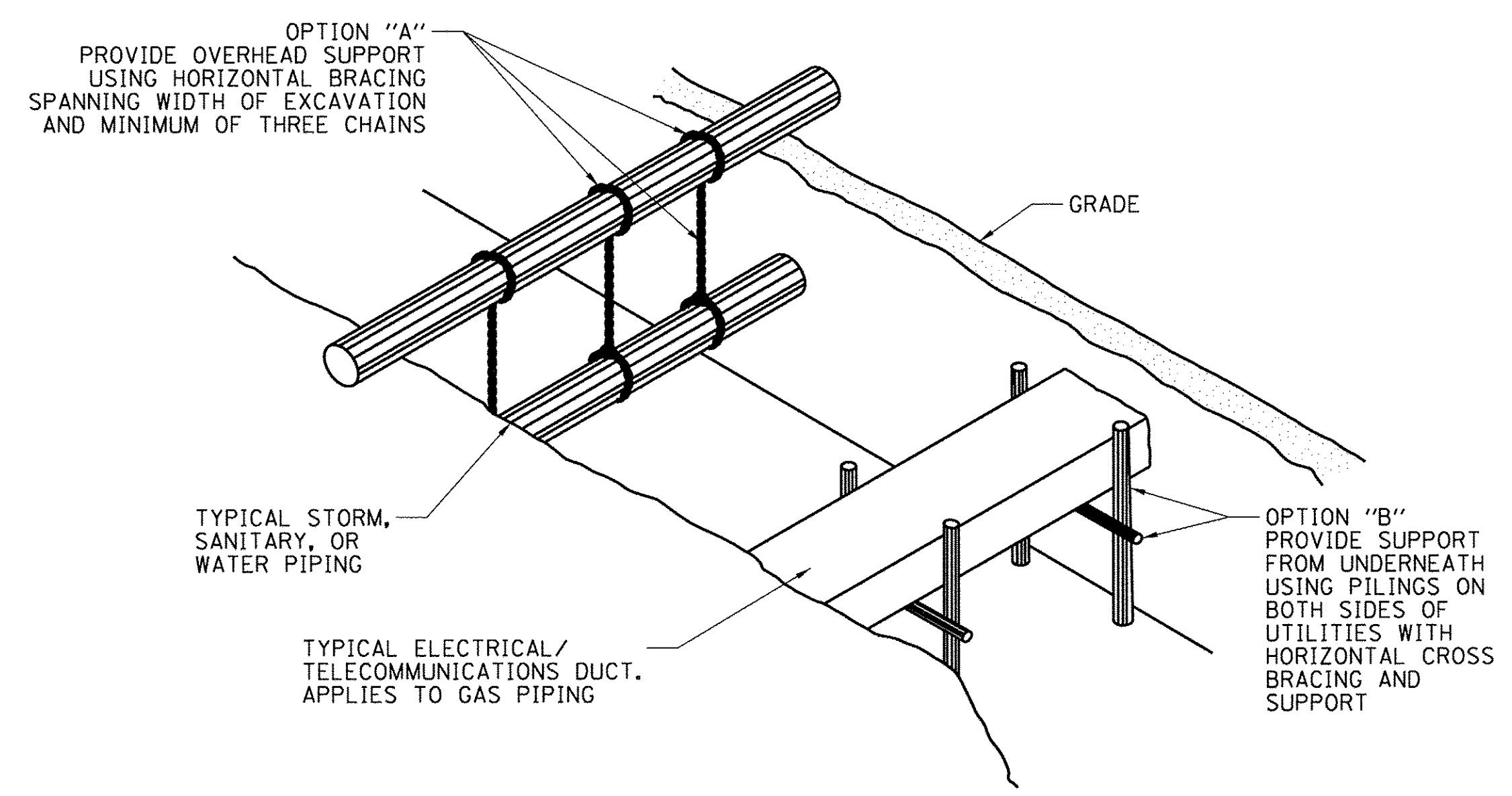
- NOTES:**
1. SIDEWALK CURB SHALL BE POURED MONOLITHIC WITH THE SIDEWALK OR ENTRANCE.
 2. THE COST OF STEEL WIRE MESH SHALL BE INCLUDED IN THE COST OF THE PORTLAND CEMENT CONCRETE SIDEWALK CURB, AND NO ADDITIONAL COMPENSATION WILL BE ALLOWED. THE PCC SIDEWALK OR ENTRANCE ADJACENT TO THE SIDEWALK CURB WILL BE PAID FOR SEPERATLEY.

PORTLAND CEMENT CONCRETE SIDEWALK CURB DETAIL
(SIDEWALK ABOVE EXISTING GRADE)



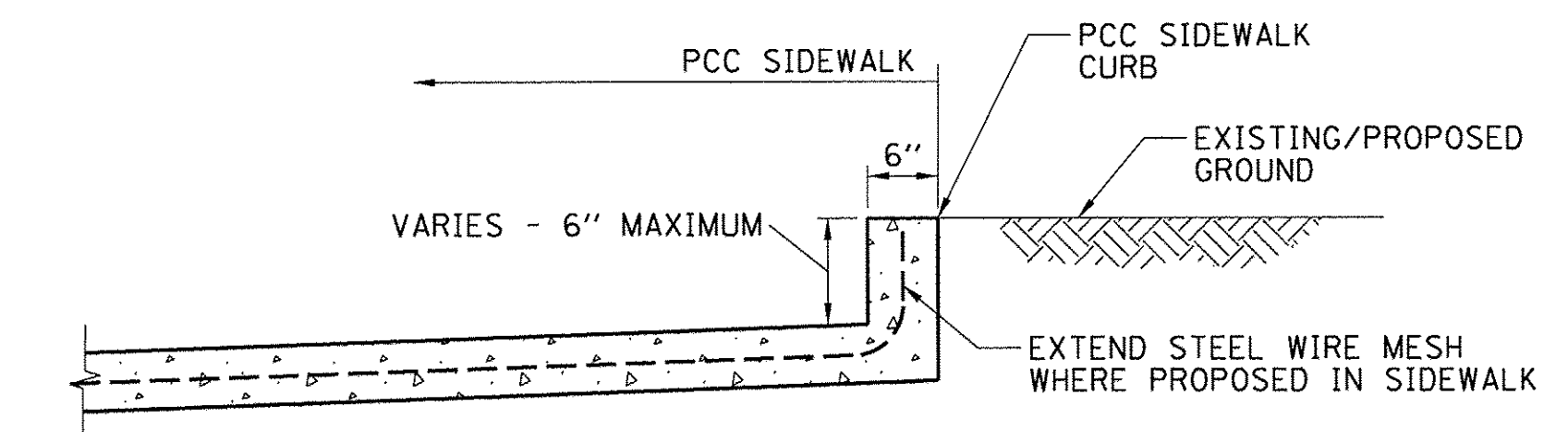
- NOTES:**
1. SIDEWALK CURB MAY BE POURED MONOLITHIC WITH SIDEWALK IN WHICH CASE THE KEYWAY WILL NOT BE REQUIRED.
 2. THE COST OF CONSTRUCTING THE ADDITIONAL SIDEWALK WIDTH BELOW THE SIDEWALK CURB AND FURNISHING AND INSTALLING THE #4 REBARS SHALL BE INCLUDED IN THE COST OF THE PORTLAND CEMENT CONCRETE SIDEWALK CURB, AND NO ADDITIONAL COMPENSATION WILL BE ALLOWED. THE REINFORCEMENT BARS SHALL BE EPOXY COATED. THE PCC SIDEWALK ADJACENT TO THE SIDEWALK CURB WILL BE PAID FOR SEPERATELY.

PORTLAND CEMENT CONCRETE SIDEWALK CURB DETAIL
(SIDEWALK MORE THAN 6\"/>



TEMPORARY SUPPORT OF EXISTING UTILITIES

- NOTES:**
1. STORM, SANITARY & WATER PIPING JOINTS MUST HAVE SUPPORTS ON BOTH SIDES OF JOINT.
 2. THIS DETAIL IS FOR ILLUSTRATIVE PURPOSE ONLY. SPECIFIC METHODS OF SUPPORT ARE A MATTER OF MEANS AND METHODS TO BE DETERMINED AND DESIGNED BY THE CONTRACTOR.



- NOTES:**
1. SIDEWALK CURB SHALL BE POURED MONOLITHIC WITH THE SIDEWALK OR ENTRANCE.
 2. WHERE PROPOSED FOR THE ADJACENT SIDEWALK EXTEND THE STEEL WIRE MESH UP THE CURB.
 3. CURBS LESS THAN 6\"/>
 4. EXTENSION OF STEEL WIRE MESH SHALL BE INCLUDED IN THE COST OF THE PORTLAND CEMENT CONCRETE SIDEWALK AND NO ADDITIONAL COMPENSATION WILL BE ALLOWED.

INTEGRAL SIDEWALK CURB DETAIL
(SIDEWALK LESS THAN 6\"/>

© Copyright Hanson Professional Services Inc. 2016
HANSON
 Hanson Professional Services Inc.

LAYOUT	BAB	3/10/16
DRAWN	RLA	3/10/16
REVIEWED	MGD	3/22/16

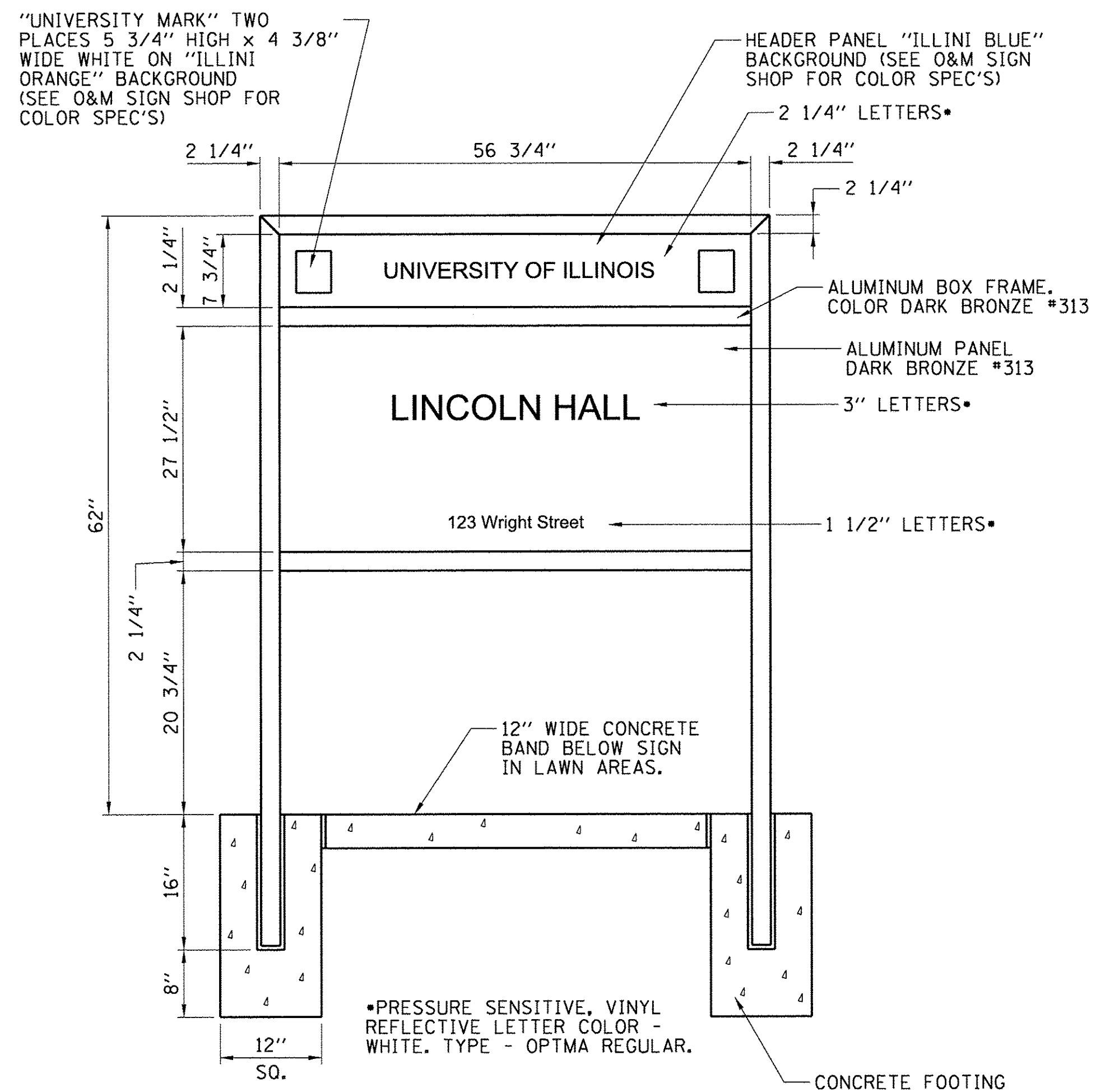
FILE NAME =	DESIGNED -	REVISED -
Z:\Plans\sheets\Project1\P1-sht-detail120.dgn	BAB	
PLOT DATE =	DRAWN -	REVISED -
8/25/2016 1:54:44 PM	RLA	
	CHECKED -	REVISED -
	MGD	
	DATE -	REVISED -
	8/26/2016	

STATE OF ILLINOIS
DEPARTMENT OF TRANSPORTATION

PROJECT 1 - GREEN STREET
MISCELLANEOUS DETAILS

SCALE: N/A SHEET NO. OF SHEETS STA. TO STA.

F.A.U. R.T.E.	SECTION	COUNTY	TOTAL SHEETS	SHEET NO.
7126	15-00304-01-PV	CHAMPAIGN	236	186
MCORE PROJECT 1			CONTRACT NO. 91539	
JOB NO. C-95-305-16 ILLINOIS FED. AID PROJECT TIG-5181057				



REMOVE AND RELOCATE SIGN (SPECIAL)
 (UNIVERSITY OF ILLINOIS BUILDING IDENTIFICATION SIGN)

LAYOUT	BAB	3/10/16
DRAWN	RLA	3/10/16
REVIEWED	MCD	3/22/16

FILE NAME =	Z:\Plans\sheets\Project1\p1-sht-detail121.dgn
PLOT DATE =	8/25/2016 1:54:48 PM

DESIGNED -	BAB	REVISED -	
DRAWN -	RLA	REVISED -	
CHECKED -	MCD	REVISED -	
DATE -	8/26/2016	REVISED -	

STATE OF ILLINOIS
 DEPARTMENT OF TRANSPORTATION

PROJECT 1 - GREEN STREET		F.A.U. RTE.	SECTION	COUNTY	TOTAL SHEETS	SHEET NO.
MISCELLANEOUS DETAILS		7126	15-00304-01-PV	CHAMPAIGN	236	187
SCALE: N/A		SHEET NO.	OF SHEETS	STA.	TO STA.	

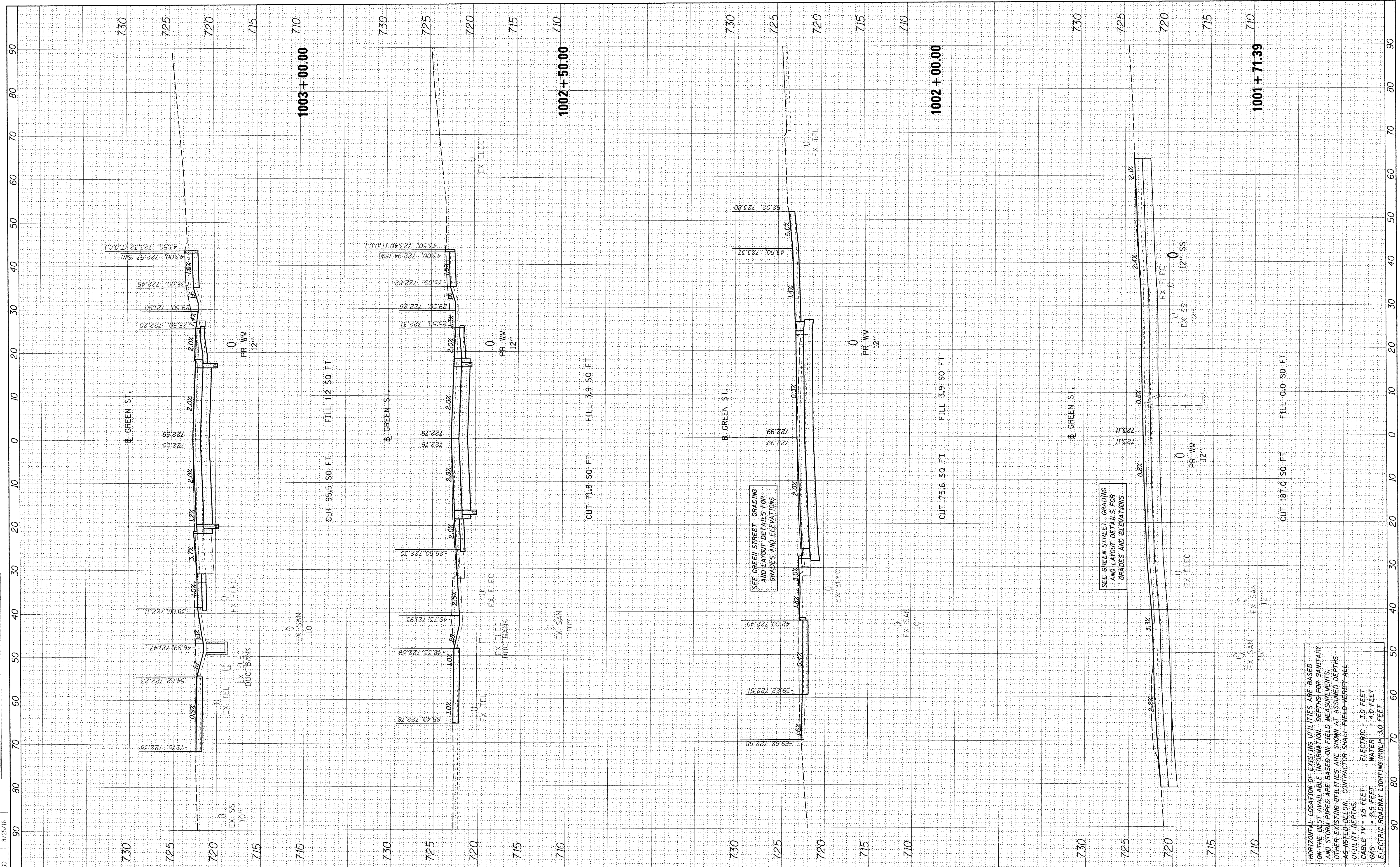
MCORE PROJECT 1		CONTRACT NO. 91539	
JOB NO. C-95-305-16 ILLINOIS FED. AID PROJECT TIG-5181057			

FINAL SURVEY PLOTTED TEMPLATE AREAS CHECKED	BY	DATE
NO.		



ORIGINAL SURVEY PLOTTED TEMPLATE AREAS CHECKED	BY	DATE
NO.		

LAYOUT	DLC	3/10/16
DRAWN	DLC	8/25/16
REVIEWED	MGD	8/25/16



HORIZONTAL LOCATION OF EXISTING UTILITIES ARE BASED ON THE BEST AVAILABLE INFORMATION. DEPTHS FOR SANITARY AND STORM PIPES ARE BASED ON FIELD MEASUREMENTS. OTHER EXISTING UTILITIES ARE SHOWN AT ASSUMED DEPTHS AS NOTED BELOW - CONTRACTOR SHALL FIELD VERIFY ALL UTILITY DEPTHS.
 GAS CABLE TV = 15' FEET ELECTRIC = 3.0 FEET
 WATER = 4.0 FEET
 ELECTRIC ROADWAY LIGHTING (RWL) = 3.0 FEET

FILE NAME =	USER NAME = carr01216	DESIGNED - DLC	REVISED -
h:\14\jobs\141\0131\CAD\Road\Sheet\c-301.dgn		DRAWN - DLC	REVISED -
		CHECKED - MGD	REVISED -
Default		DATE - 8/26/2016	REVISED -
		PLOT SCALE = 10.0000' = 1"	
		PLOT DATE = 8/25/2016	

**STATE OF ILLINOIS
DEPARTMENT OF TRANSPORTATION**

**PROJECT 1 - GREEN STREET
CROSS SECTIONS**

SCALE: SHEET OF SHEETS STA. 1001+71.39 TO STA. 1003+00.00

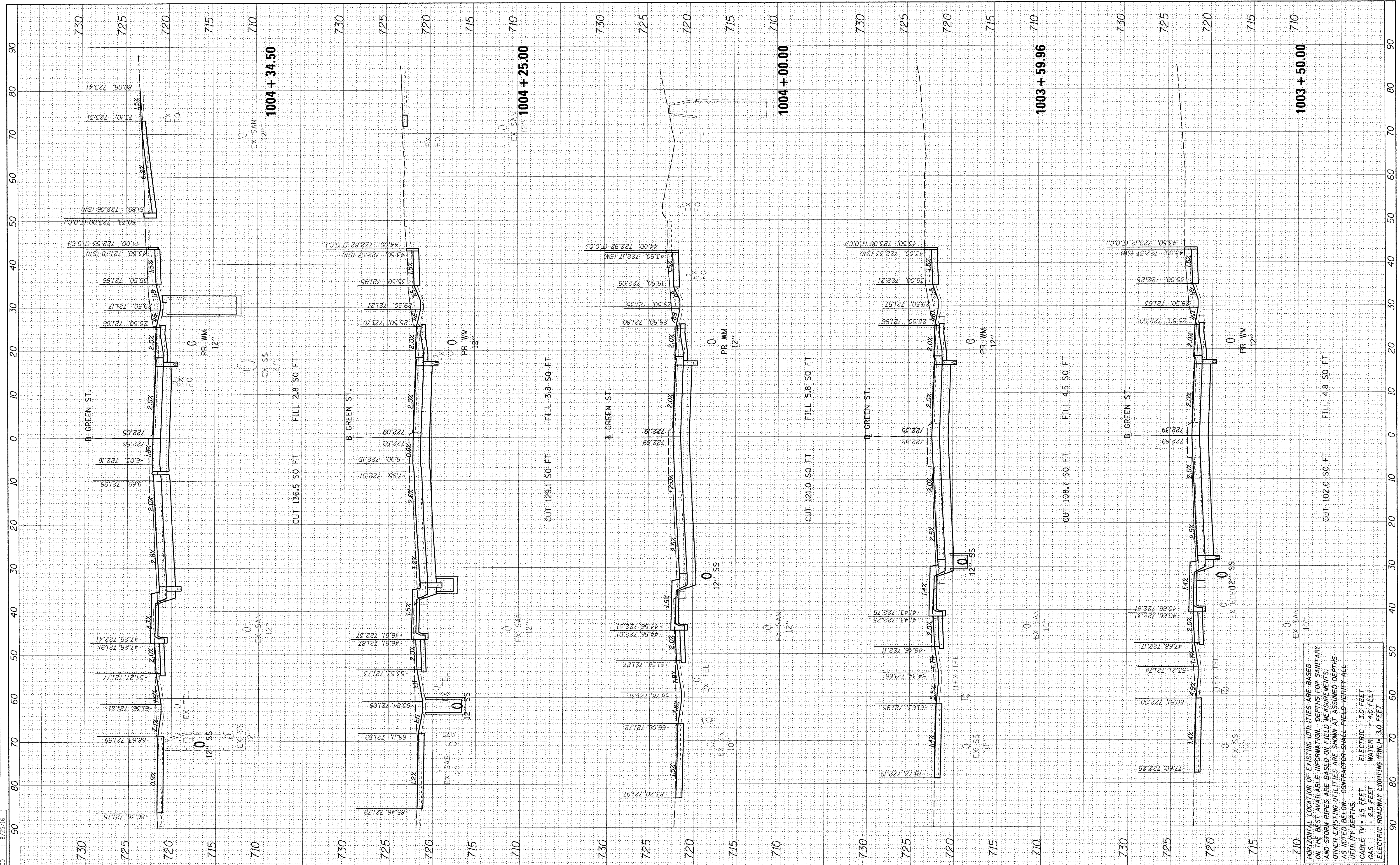
F.A. RTE.	SECTION	COUNTY	TOTAL SHEETS	SHEET NO.
1126	15-00304-01-PV	CHAMPAIGN	236	188
CONTRACT NO. 91539				
JOB NO. C-95-305-16		ILLINOIS FED. AID PROJECT	T16-5181(057)	

FINAL SURVEY PLOTTED	DATE
NOTE BOOK	BY
AREAS CHECKED	
NO.	



ORIGINAL SURVEY	DATE
NOTE BOOK	BY
AREAS CHECKED	
NO.	

LAYOUT	DLC	3/10/16
DRAWN	DLC	8/24/16
REVIEWED	MGD	8/25/16



HORIZONTAL LOCATION OF EXISTING UTILITIES ARE BASED ON THE BEST AVAILABLE INFORMATION. DEPTHS FOR SANITARY AND STORM PIPES ARE BASED ON FIELD MEASUREMENTS. OTHER EXISTING UTILITIES ARE SHOWN AT ASSUMED DEPTHS AS NOTED BELOW - CONTRACTOR SHALL FIELD VERIFY ALL UTILITY DEPTHS.
 CABLE TV = 1.5 FEET ELECTRIC = 3.0 FEET
 GAS = 2.5 FEET WATER = 4.0 FEET
 ELECTRIC ROADWAY LIGHTING (RWL) = 3.0 FEET

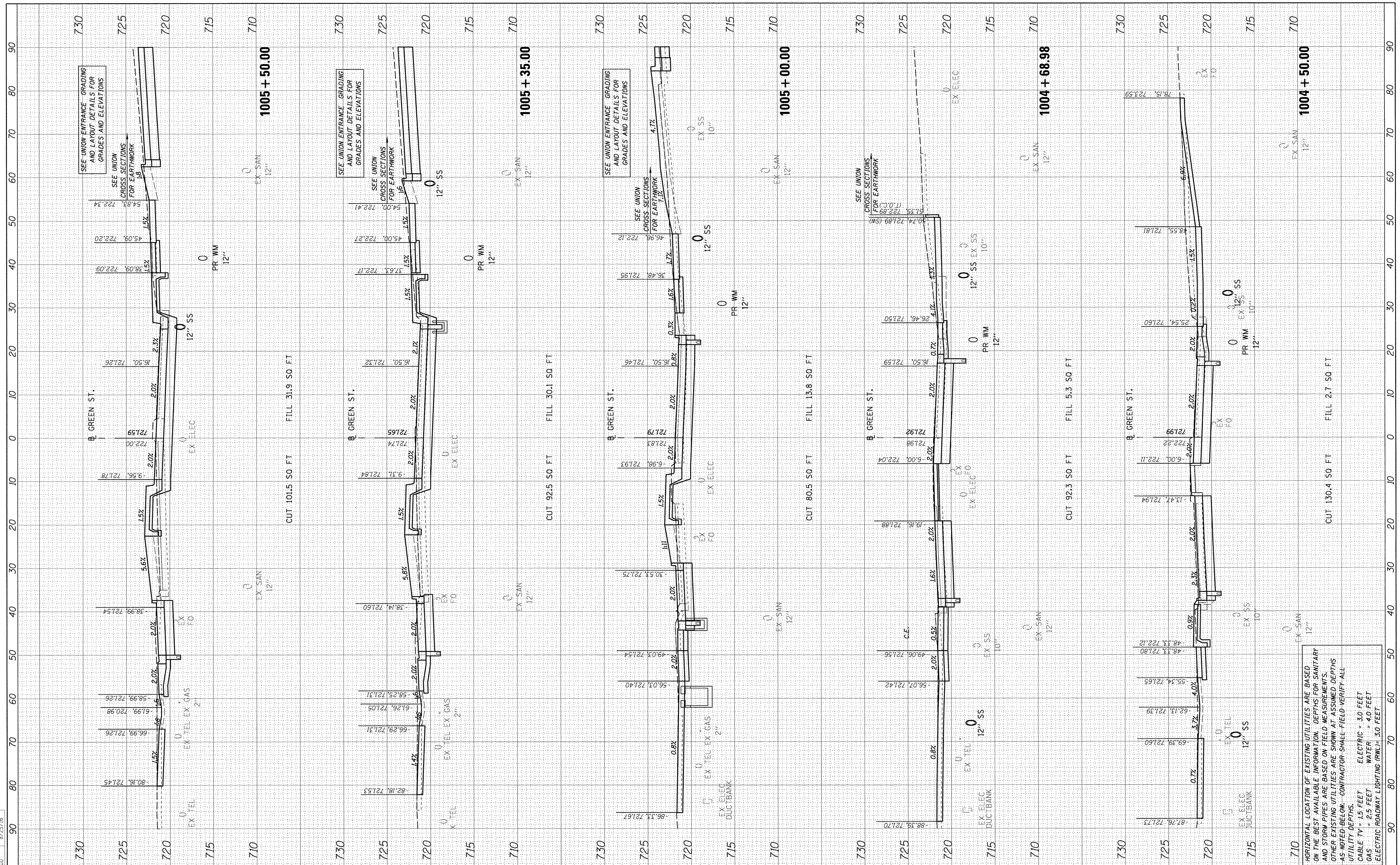
FILE NAME = I:\14\jobs\14L0131\CAD\Road\Sheet\c-301.dgn	USER NAME = carr01216	DESIGNED - DLC	REVISED -	STATE OF ILLINOIS DEPARTMENT OF TRANSPORTATION	PROJECT 1 - GREEN STREET CROSS SECTIONS	F.A. R.T.E. 7126	SECTION 15-00304-01-PV	COUNTY CHAMPAIGN	TOTAL SHEETS 236	SHEET NO. 189
PLOT SCALE = 10.0000 1" = 10'	PLOT DATE 8/25/2016	DRAWN - DLC	REVISED -			SCALE: SHEET OF SHEETS STA. 1003+50.00 TO STA. 1004+34.50	JOB NO. C-95-305-16	ILLINOIS FED. AID PROJECT	CONTRACT NO. 91539	TIG-5181(057)
		CHECKED - MGD	REVISED -							
		DATE - 8/26/2016	REVISED -							

DATE	
BY	
SURVEYED	
PLOTTED	
NOTE BOOK	
AREAS CHECKED	



DATE	
BY	
SURVEYED	
PLOTTED	
NOTE BOOK	
AREAS CHECKED	

LAYOUT	DLC	3/10/16
DRAWN	DLC	8/24/16
REVIEWED	MCD	8/25/16



HORIZONTAL LOCATION OF EXISTING UTILITIES ARE BASED ON THE BEST AVAILABLE INFORMATION. DEPTHS FOR SANITARY AND STORM PIPES ARE BASED ON FIELD MEASUREMENTS. OTHER EXISTING UTILITIES ARE SHOWN AT ASSUMED DEPTHS AS NOTED BELOW. CONTRACTOR SHALL FIELD VERIFY ALL UTILITY DEPTHS.
 CABLE TV = 15 FEET
 ELECTRIC = 3.0 FEET
 GAS = 2.5 FEET
 WATER = 4.0 FEET
 ELECTRIC ROADWAY LIGHTING (RWL) = 3.0 FEET

FILE NAME =	USER NAME =
I:\14jobs\14L0131\CAD\Road\Sheet\c-381.dgn	car-01216
PLOT SCALE =	10.0000' / 1" =
PLOT DATE =	8/25/2016

DESIGNED -	DLC	REVISED -	
DRAWN -	DLC	REVISED -	
CHECKED -	MCD	REVISED -	
DATE -	8/26/2016	REVISED -	

**STATE OF ILLINOIS
DEPARTMENT OF TRANSPORTATION**

**PROJECT 1 - GREEN STREET
CROSS SECTIONS**

SCALE: SHEET OF SHEETS STA. 1004+50.00 TO STA. 1005+50.00

F.A. RTE.	SECTION	COUNTY	TOTAL SHEETS	SHEET NO.
7126	15-00304-01-PV	CHAMPAIGN	236	190
CONTRACT NO.91539			JOB NO. C-95-305-16 ILLINOIS FED. AID PROJECT TIG-5181057	

FINAL SURVEY PLOTTED TEMPLATE AREAS CHECKED

ORIGINAL SURVEY PLOTTED TEMPLATE AREAS CHECKED

DATE BY

DATE BY

FILE NAME = I:\14_jobs\141.0131\CAD\Road\Sheet\c-381.dgn
 USER NAME = carr01216
 PLOT SCALE = 10.0000' / 1" / in.
 PLOT DATE = 8/25/2016

DESIGNED - DLC
 DRAWN - DLC
 CHECKED - MGD
 DATE - 8/26/2016

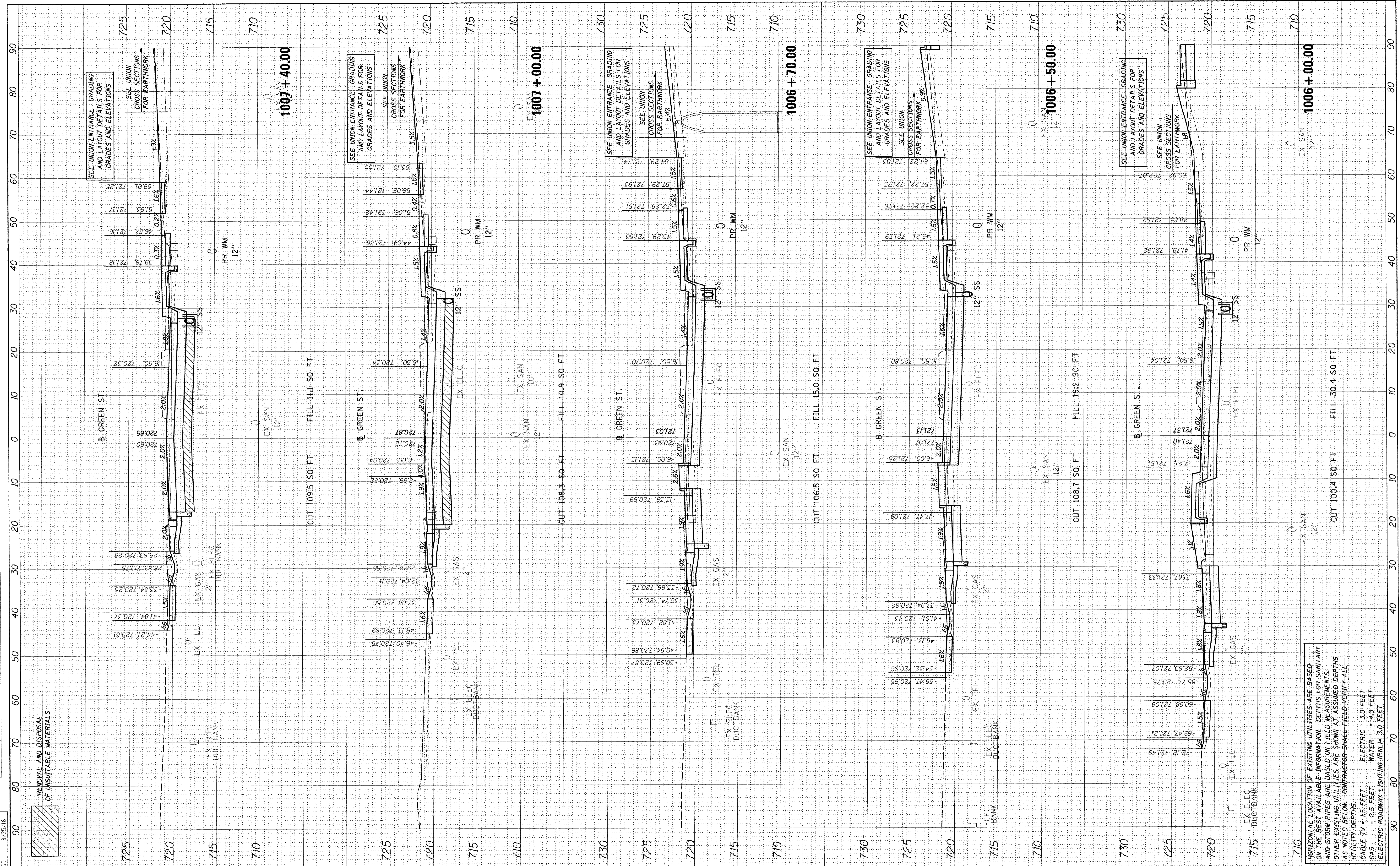
REVISED -
 REVISED -
 REVISED -
 REVISED -

STATE OF ILLINOIS
 DEPARTMENT OF TRANSPORTATION

PROJECT 1 - GREEN STREET
 CROSS SECTIONS

SCALE: SHEET OF SHEETS STA. 1006+00.00 TO STA. 1007+40.00

F.A. RTE.	SECTION	COUNTY	TOTAL SHEETS	SHEET NO.
7126	15-00304-01-PV	CHAMPAIGN	236	191
JOB NO. C-95-305-16		ILLINOIS FED. AID PROJECT	CONTRACT NO. 91539	
		TIG-5181057		



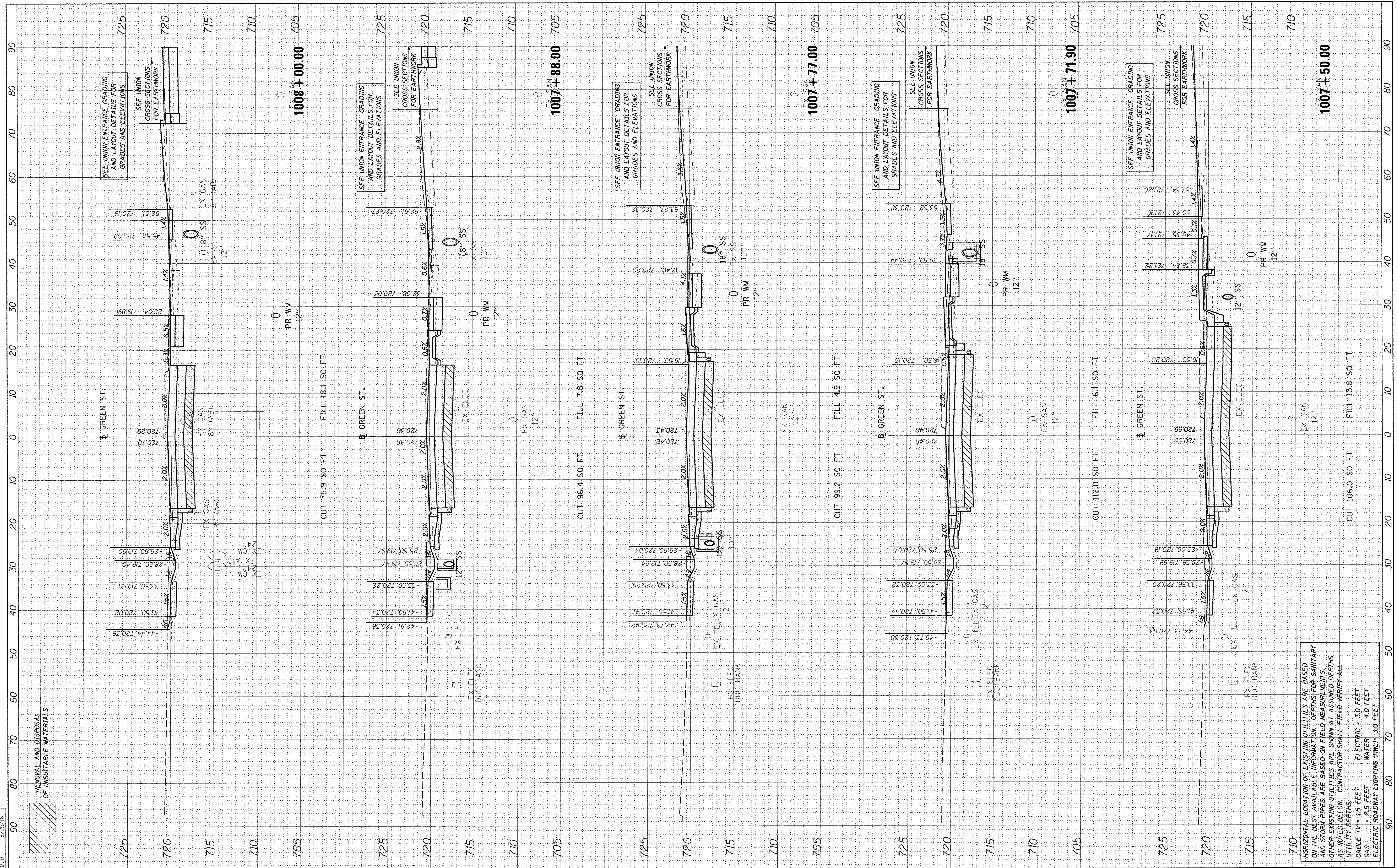
HORIZONTAL LOCATION OF EXISTING UTILITIES ARE BASED ON THE BEST AVAILABLE INFORMATION. DEPTHS FOR SANITARY AND STORM PIPES ARE BASED ON FIELD MEASUREMENTS. OTHER EXISTING UTILITIES ARE SHOWN AT ASSUMED DEPTHS AS NOTED BELOW. CONTRACTOR SHALL FIELD VERIFY ALL UTILITY DEPTHS.
 CABLE TV = 1.5 FEET
 ELECTRIC = 3.0 FEET
 GAS = 2.5 FEET
 WATER = 4.0 FEET
 ELECTRIC ROADWAY LIGHTING (RWL) = 3.0 FEET

FINAL SURVEY PLOTTED TEMPLATE AREAS CHECKED
BY _____ DATE _____



ORIGINAL SURVEY PLOTTED TEMPLATE AREAS CHECKED
BY _____ DATE _____

LAYOUT	DLC	3/10/16
DRAWN	DLC	8/24/16
REVIEWED	MGD	8/25/16



HORIZONTAL LOCATION OF EXISTING UTILITIES ARE BASED ON THE BEST AVAILABLE INFORMATION. DEPTHS FOR SANITARY AND STORM PIPES ARE BASED ON FIELD MEASUREMENTS. OTHER EXISTING UTILITIES ARE SHOWN AT ASSUMED DEPTHS AS NOTED BELOW. CONTRACTOR SHALL FIELD VERIFY ALL UTILITY DEPTHS.
 CABLE TV = 15 FEET ELECTRIC = 3.0 FEET
 GAS = 2.5 FEET WATER = 4.0 FEET
 ELECTRIC ROADWAY LIGHTING (RWL) = 3.0 FEET

FILE NAME =	USER NAME =	DESIGNED =	REVISED =
I:\14\jobs\14L0131\CAD\Road\Sheet\c-301.dgn	car-01216	DLC	-
		DRAWN =	REVISED =
		DLC	-
		CHECKED =	REVISED =
		MGD	-
		DATE =	REVISED =
		8/26/2016	-

**STATE OF ILLINOIS
DEPARTMENT OF TRANSPORTATION**

**PROJECT 1 - GREEN STREET
CROSS SECTIONS**

F.A. R.T.E.	SECTION	COUNTY	TOTAL SHEETS	SHEET NO.
7126	15-00304-01-PV	CHAMPAIGN	236	192
CONTRACT NO. 91539				

SCALE: SHEET OF SHEETS STA. 1007+50.00 TO STA. 1008+00.00

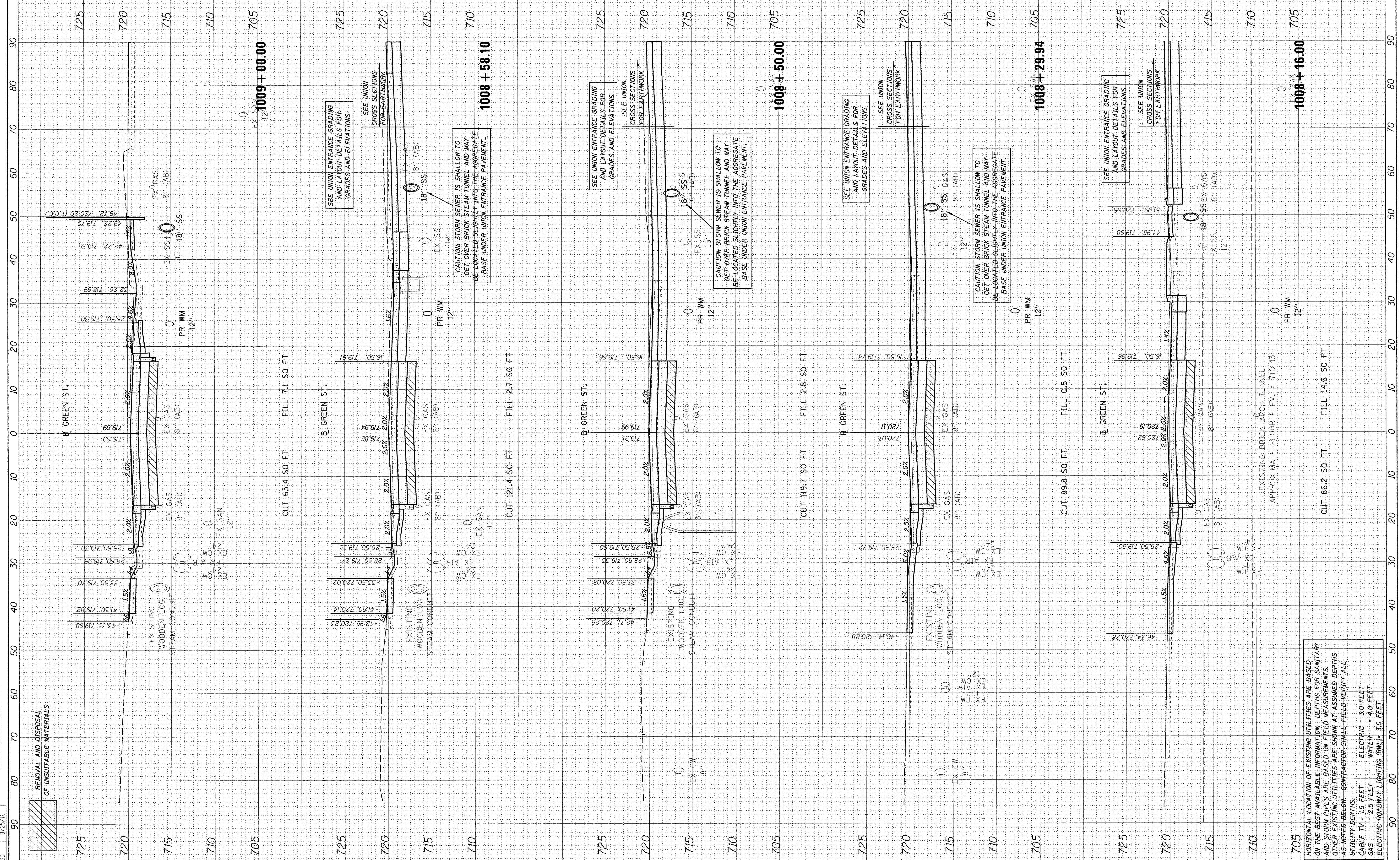
Default

FINAL SURVEY PLOTTED AREAS CHECKED

HANSON
Hanson Professional Services Inc.

ORIGINAL SURVEY PLOTTED AREAS CHECKED

LAYOUT DRAWN BY: 3/10/16
DLC
REVIEWED BY: 8/24/16
MGD



HORIZONTAL LOCATION OF EXISTING UTILITIES ARE BASED ON THE BEST AVAILABLE INFORMATION. DEPTHS FOR SANITARY AND STORM PIPES ARE BASED ON FIELD MEASUREMENTS. OTHER EXISTING UTILITIES ARE SHOWN AT ASSUMED DEPTHS AS NOTED BELOW. CONTRACTOR SHALL FIELD VERIFY ALL UTILITY DEPTHS.
CABLE TV = 1.5 FEET
ELECTRIC = 3.0 FEET
GAS = 2.5 FEET
WATER = 4.0 FEET
ELECTRIC ROADWAY LIGHTING (RWL) = 3.0 FEET

**STATE OF ILLINOIS
DEPARTMENT OF TRANSPORTATION**

**PROJECT 1 - GREEN STREET
CROSS SECTIONS**

FILE NAME = I:\14jobs\14L0131\CAD\Road\Sheet\c-301.dgn
USER NAME = corr01216
DESIGNED - DLC
DRAWN - DLC
CHECKED - MGD
DATE - 8/26/2016
PLT SCALE = 10.0000' / 1" =
PLT DATE = 8/25/2016

REVISED -
REVISED -
REVISED -
REVISED -

SCALE: SHEET OF SHEETS STA. 1008+16.00 TO STA. 1009+00.00

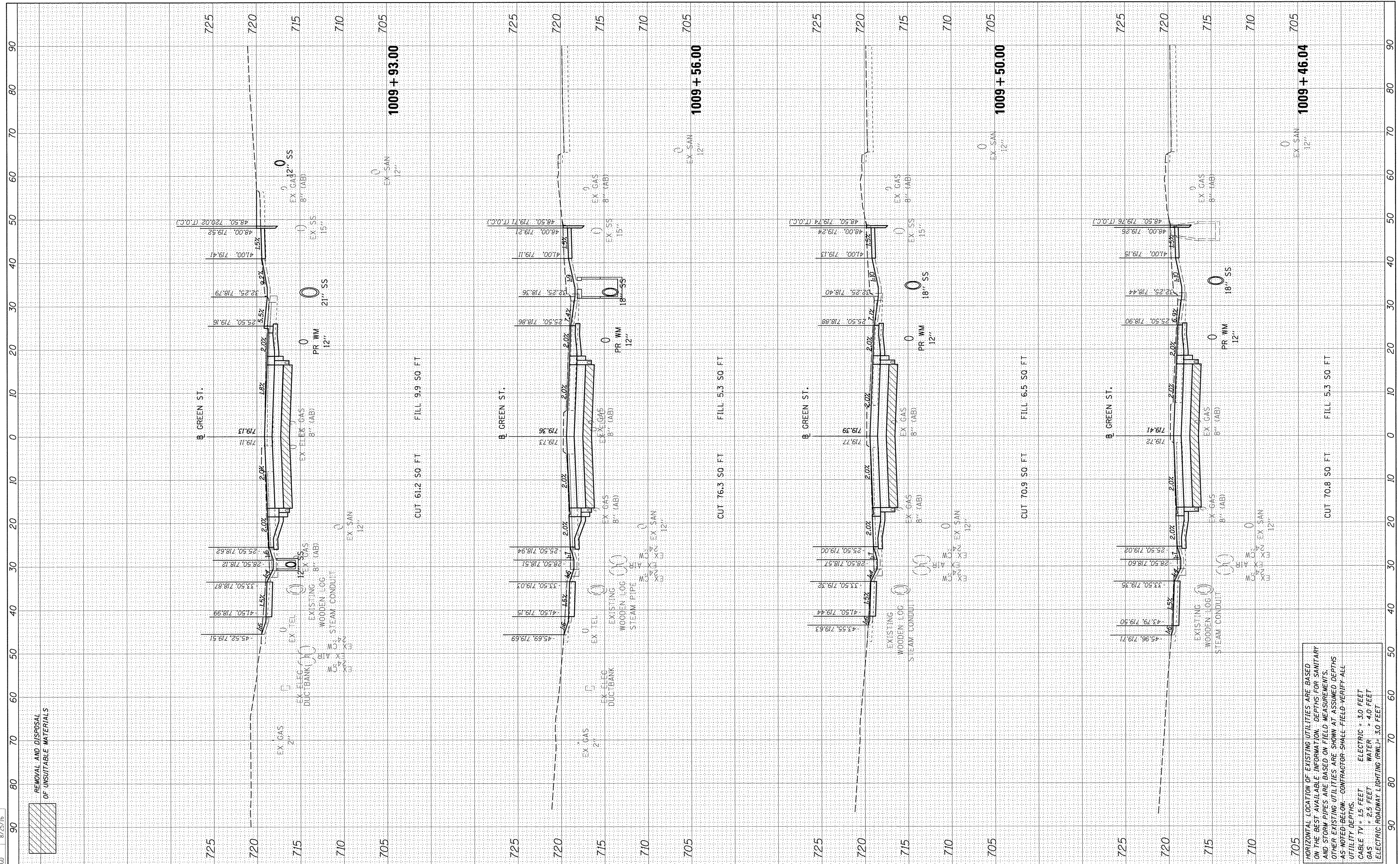
F.A. R.T.E. 7126
SECTION 15-00304-01-PV
COUNTY CHAMPAIGN
TOTAL SHEETS 236
SHEET NO. 193
CONTRACT NO. 91539
JOB NO. C-95-305-16 ILLINOIS FED. AID PROJECT TIG-5181(057)

DATE	
BY	
FINAL SURVEY	
PLOTTED	
NOTE BOOK	
AREAS CHECKED	
NO.	



DATE	
BY	
ORIGINAL SURVEY	
PLOTTED	
NOTE BOOK	
AREAS CHECKED	
NO.	

LAYOUT	DLC	3/10/16
DRAWN	DLC	8/24/16
REVIEWED	MGD	8/25/16



HORIZONTAL LOCATION OF EXISTING UTILITIES ARE BASED ON THE BEST AVAILABLE INFORMATION. DEPTHS FOR SANITARY AND STORM PIPES ARE BASED ON FIELD MEASUREMENTS. OTHER EXISTING UTILITIES ARE SHOWN AT ASSUMED DEPTHS AS NOTED BELOW. CONTRACTOR SHALL FIELD VERIFY ALL UTILITY DEPTHS.
 CABLE TV = 1.5 FEET ELECTRIC = 3.0 FEET
 GAS = 2.5 FEET WATER = 4.0 FEET
 ELECTRIC ROADWAY LIGHTING (RWL) = 3.0 FEET

FILE NAME = I:\14jobs\1410131\CA01\Road\Sheet\c-301.dgn
 USER NAME = cor-01216

DESIGNED - DLC
 DRAWN - DLC
 CHECKED - MGD
 DATE - 8/26/2016

REVISED -
 REVISED -
 REVISED -
 REVISED -

**STATE OF ILLINOIS
 DEPARTMENT OF TRANSPORTATION**

**PROJECT 1 - GREEN STREET
 CROSS SECTIONS**

SCALE: SHEET OF SHEETS STA. 1009+46.04 TO STA. 1009+93.00

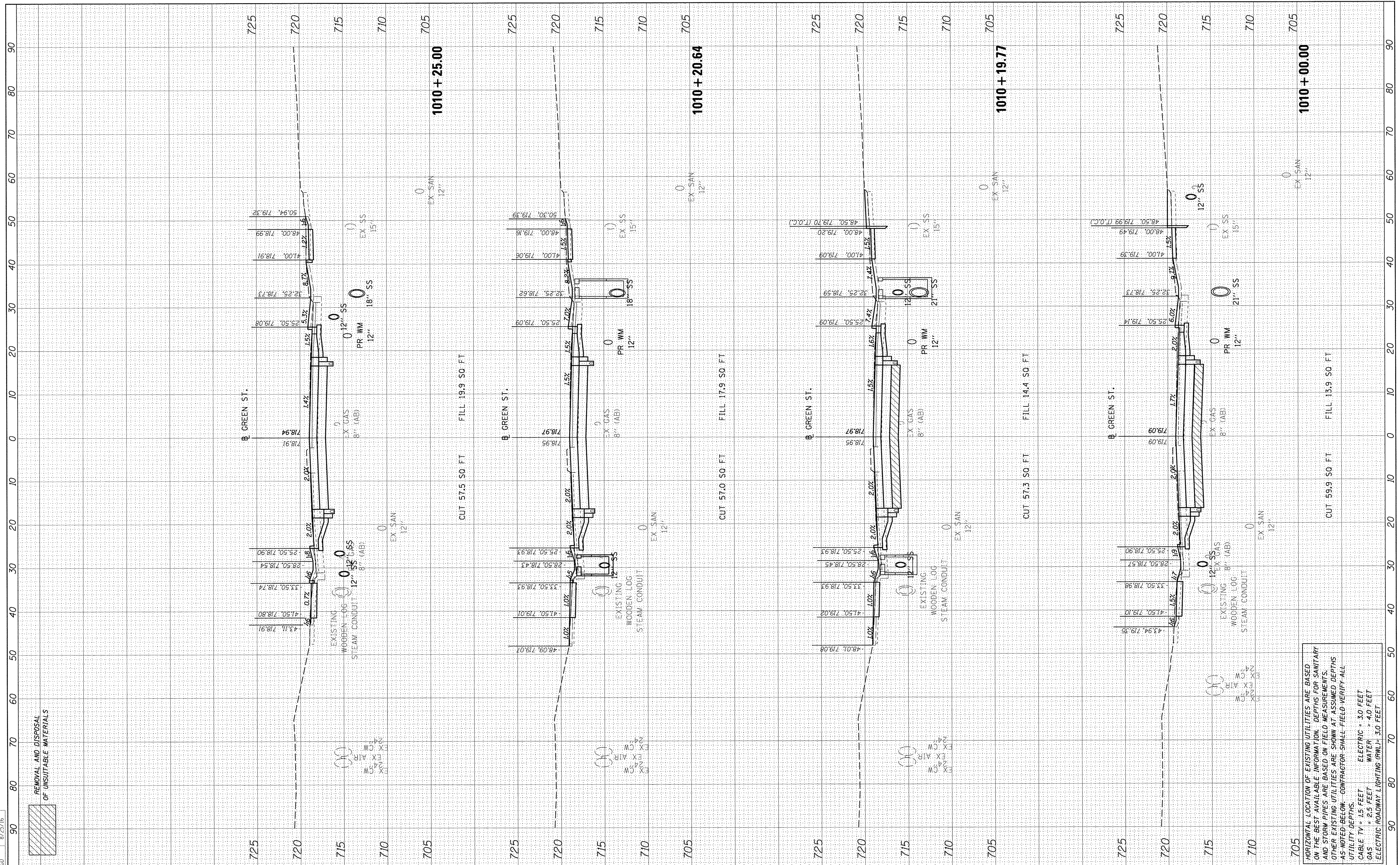
F.A. RTE.	SECTION	COUNTY	TOTAL SHEETS	SHEET NO.
7126	15-00304-01-PV	CHAMPAIGN	236	194
CONTRACT NO. 91539			JOB NO. C-95-305-16 [ILLINOIS] FED. AID PROJECT TIG-51810571	

FINAL SURVEY	BY	DATE
PLOTTED		
NOTE BOOK		
AREAS CHECKED		
NO.		



ORIGINAL SURVEY	BY	DATE
PLOTTED		
NOTE BOOK		
AREAS CHECKED		
NO.		

LAYOUT	DLC	3/10/16
DRAWN	DLC	8/24/16
REVIEWED	MGD	8/25/16



HORIZONTAL LOCATION OF EXISTING UTILITIES ARE BASED ON THE BEST AVAILABLE INFORMATION. DEPTHS FOR SANITARY AND STORM PIPES ARE BASED ON FIELD MEASUREMENTS. OTHER EXISTING UTILITIES ARE SHOWN AT ASSUMED DEPTHS AS NOTED BELOW. CONTRACTOR SHALL FIELD VERIFY ALL UTILITY DEPTHS.
 CABLE TV = 15 FEET ELECTRIC = 30 FEET
 GAS = 2.5 FEET WATER = 4.0 FEET
 ELECTRIC ROADWAY LIGHTING (RWL) = 3.0 FEET

FILE NAME = I:\14\jobs\1410131\CAD\Road\Sheet\c-301.dgn
 USER NAME = car-01216

DESIGNED - DLC
 DRAWN - DLC
 CHECKED - MGD
 DATE - 8/26/2016

REVISED -
 REVISED -
 REVISED -
 REVISED -

STATE OF ILLINOIS
 DEPARTMENT OF TRANSPORTATION

PROJECT 1 - GREEN STREET
 CROSS SECTIONS

SCALE: SHEET OF SHEETS STA. 1010+00.00 TO STA. 1010+25.00

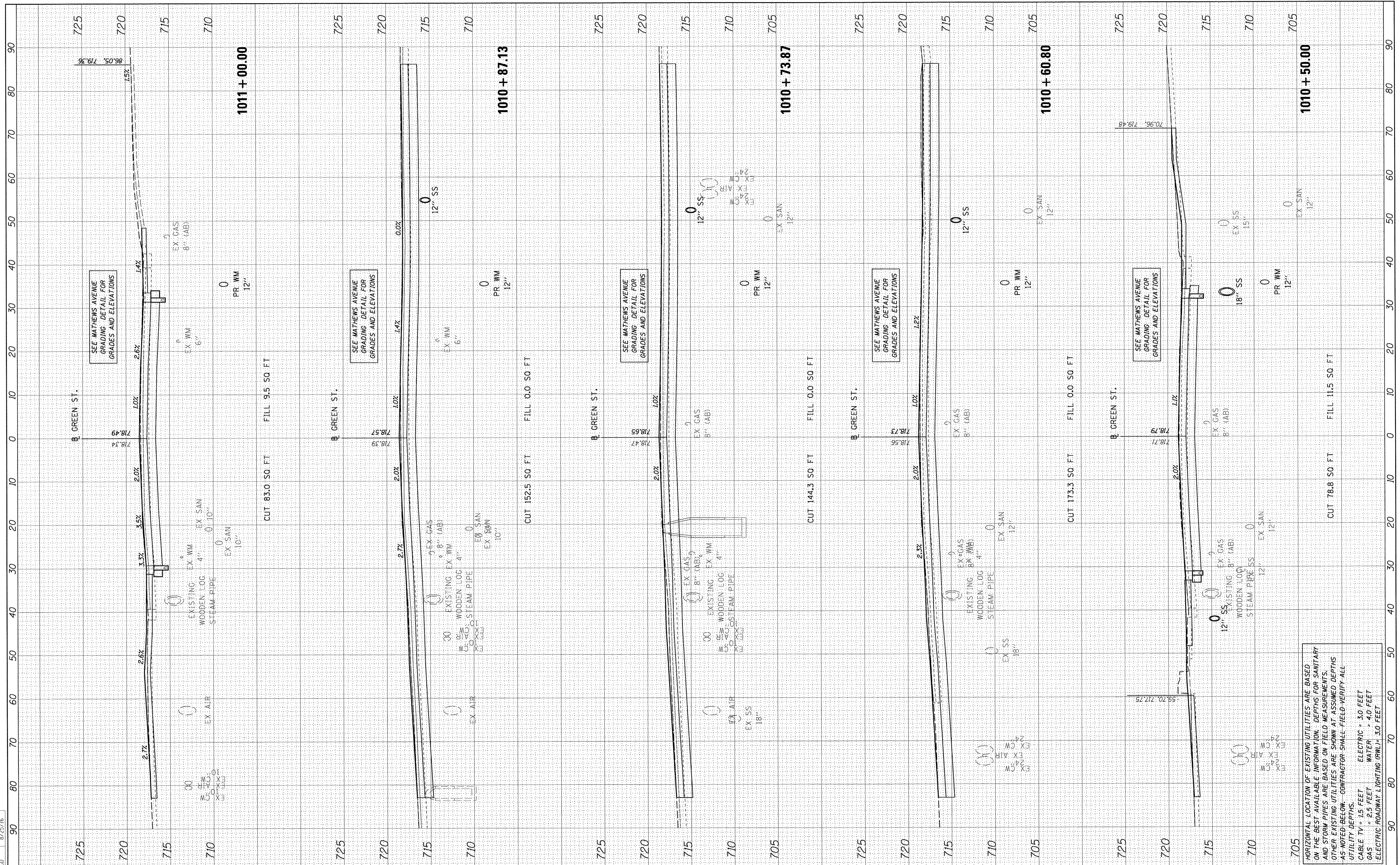
F.A. RTE.	SECTION	COUNTY	TOTAL SHEETS	SHEET NO.
7126	15-00304-01-PV	CHAMPAIGN	236	195
CONTRACT NO. 91539			JOB NO. C-95-305-16 ILLINOIS FED. AID PROJECT T10-5181(057)	

FINAL SURVEY PLOTTED	BY	DATE
NOTE BOOK NO.		
AREAS CHECKED		



ORIGINAL SURVEY PLOTTED	BY	DATE
NOTE BOOK NO.		
AREAS CHECKED		

LAYOUT	DLC	3/10/16
DRAWN	DLC	8/24/16
REVIEWED	MGD	8/25/16



FILE NAME =	USER NAME =	DESIGNED -	REVISED -
I:\14jobs\1410131\CAD\Road\Sheet\c-301.dgn	car-01216	DLC	-
		DRAWN -	REVISED -
		DLC	-
		CHECKED -	REVISED -
		MGD	-
		DATE -	REVISED -
		8/26/2016	-

**STATE OF ILLINOIS
DEPARTMENT OF TRANSPORTATION**

**PROJECT 1 - GREEN STREET
CROSS SECTIONS**

SCALE: SHEET OF SHEETS STA. 1010+50.00 TO STA. 1011+00.00

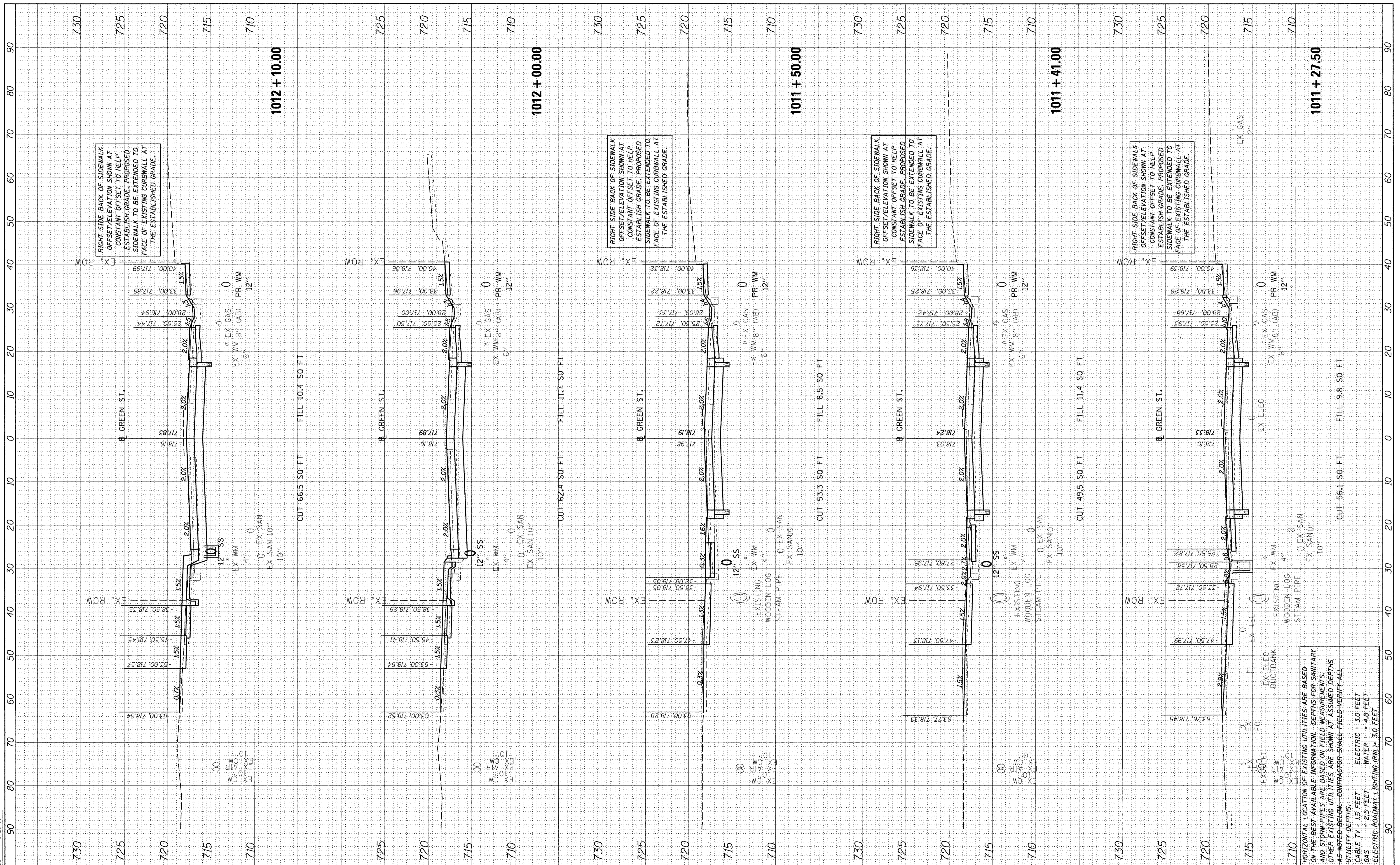
F.A. RTE.	SECTION	COUNTY	TOTAL SHEETS	SHEET NO.
7126	15-00304-01-PV	CHAMPAIGN	236	196
CONTRACT NO. 91539			JOB NO. C-95-305-16 ILLINOIS FED. AID PROJECT TIG-5181(057)	

FINAL SURVEY PLOTTED TEMPLATE NO. AREAS CHECKED	BY	DATE
---	----	------



ORIGINAL SURVEY PLOTTED TEMPLATE NO. AREAS CHECKED	BY	DATE
--	----	------

LAYOUT	DLC	3/10/16
DRAWN	DLC	8/24/16
REVIEWED	MOD	8/25/16



FILE NAME = I:\14jobs\1410131\CAD\Road\Sheet\c-301.dgn	USER NAME = carr01216	DESIGNED - DLC	REVISED -	<p style="text-align: center;">STATE OF ILLINOIS DEPARTMENT OF TRANSPORTATION</p> <p style="text-align: center;">PROJECT 1 - GREEN STREET CROSS SECTIONS</p>	F.A. RTE. = 7126	SECTION = 15-00304-01-PV	COUNTY = CHAMPAIGN	TOTAL SHEETS = 236	SHEET NO. = 197
PLOT SCALE = 10.0000' / 1"	PLOT DATE = 8/25/2016	DRAWN - DLC	REVISED -		SCALE: SHEET OF SHEETS	STA. 1011+27.50 TO STA. 1012+10.00	JOB NO. C-95-305-16	ILLINOIS FED. AID PROJECT	TIG-51810571
Default		CHECKED - MGD	REVISED -		CONTRACT NO. 91539				
		DATE - 8/26/2016	REVISED -						

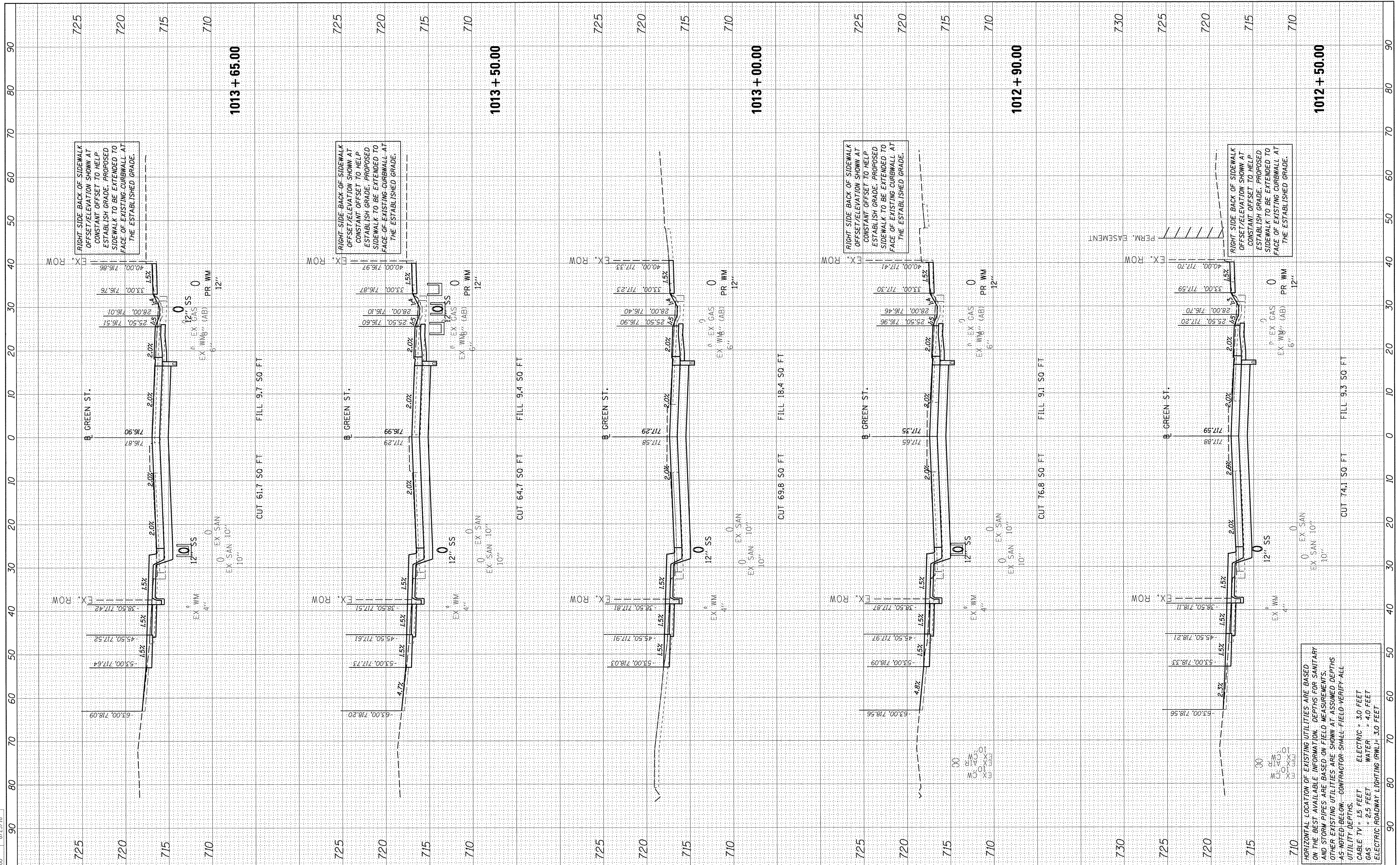
HORIZONTAL LOCATION OF EXISTING UTILITIES ARE BASED ON THE BEST AVAILABLE INFORMATION. DEPTHS FOR SANITARY AND STORM PIPES ARE BASED ON FIELD MEASUREMENTS. OTHER EXISTING UTILITIES ARE SHOWN AT ASSUMED DEPTHS AS NOTED BELOW. CONTRACTOR SHALL FIELD VERIFY ALL UTILITY DEPTHS.
 CABLE TV = 1.5 FEET
 GAS = 2.5 FEET
 ELECTRIC = 3.0 FEET
 WATER = 4.0 FEET
 ELECTRIC ROADWAY LIGHTING (RWL) = 3.0 FEET

FINAL SURVEY	DATE
PLOTTED	
NOTE BOOK	
AS CHECKED	
NO.	



ORIGINAL SURVEY	DATE
PLOTTED	
NOTE BOOK	
AS CHECKED	
NO.	

LAYOUT	DLC	3/10/16
DRAWN	DLC	8/24/16
REVIEWED	MGD	8/25/16



HORIZONTAL LOCATION OF EXISTING UTILITIES ARE BASED ON THE BEST AVAILABLE INFORMATION. DEPTHS FOR SANITARY AND STORM PIPES ARE BASED ON FIELD MEASUREMENTS. OTHER EXISTING UTILITIES ARE SHOWN AT ASSUMED DEPTHS AS NOTED BELOW. CONTRACTOR SHALL FIELD-VERIFY ALL UTILITY DEPTHS.
 CABLE TV = 1.5 FEET ELECTRIC = 3.0 FEET
 GAS = 2.5 FEET WATER = 4.0 FEET
 ELECTRIC ROADWAY LIGHTING (RWL) = 3.0 FEET

FILE NAME =	USER NAME =	DESIGNED =	REVISED =
I:\14\jobs\14L0131\CA0\Road\Sheet\c-381.dgn	car-01216	DLC	-
		DRAWN =	REVISED =
		DLC	-
		CHECKED =	REVISED =
		MGD	-
		DATE =	REVISED =
		8/26/2016	-

**STATE OF ILLINOIS
DEPARTMENT OF TRANSPORTATION**

PROJECT 1 - GREEN STREET CROSS SECTIONS			
SCALE:	SHEET	OF	SHEETS
STA. 1012+50.00 TO STA. 1013+65.00			

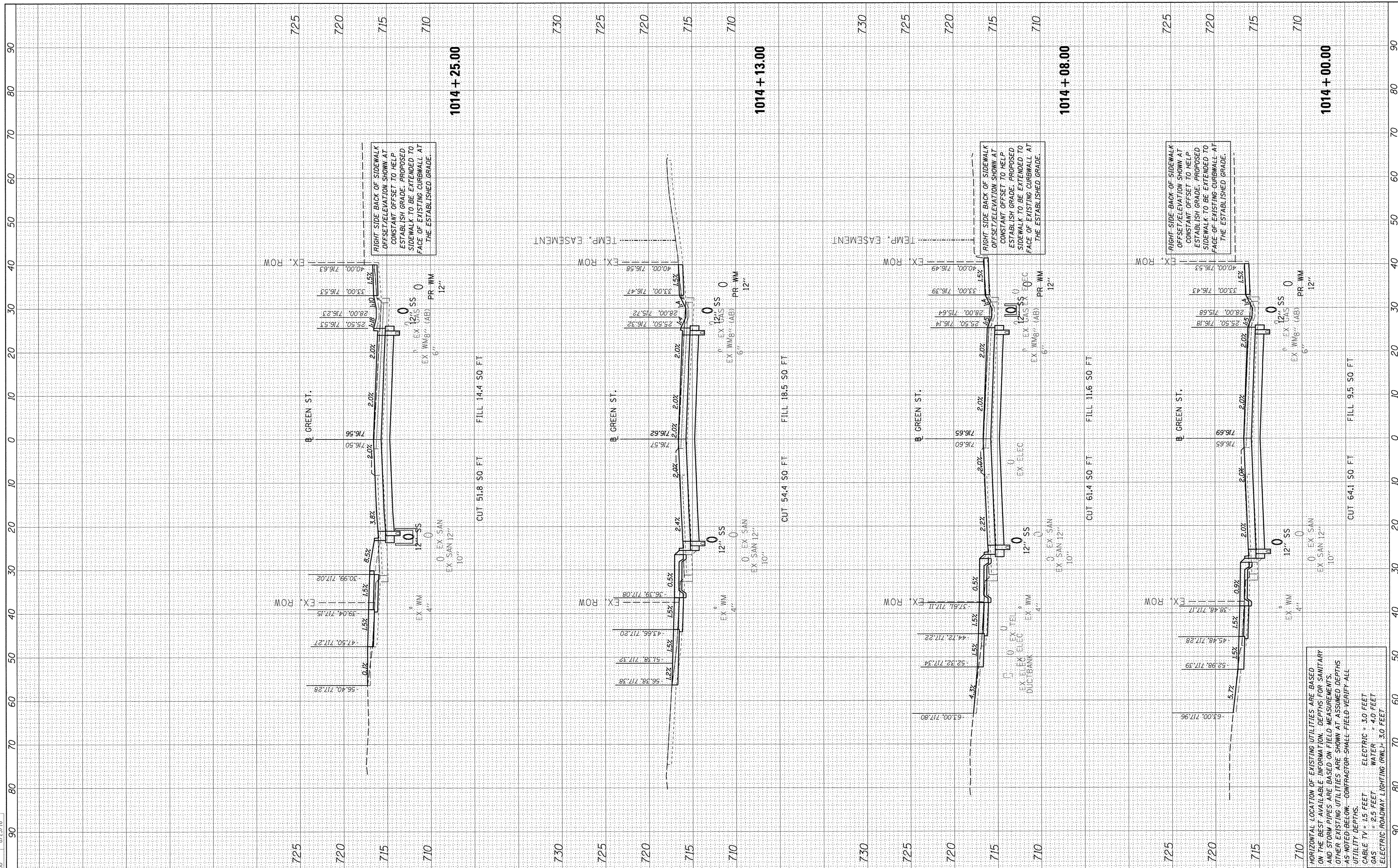
F.A. RTE.	SECTION	COUNTY	TOTAL SHEETS	SHEET NO.
7126	15-00304-01-PV	CHAMPAIGN	236	198
CONTRACT NO. 91539				
JOB NO. C-95-305-16 ILLINOIS FED. AID PROJECT TIG-518105(7)				

FINAL SURVEY PLOTTED	DATE
NOTE BOOK NO.	
AREAS CHECKED	



ORIGINAL SURVEY PLOTTED	DATE
NOTE BOOK NO.	
AREAS CHECKED	

LAYOUT DRAWN	DLC	3/10/16
REVIEWED	MGD	8/25/16



HORIZONTAL LOCATION OF EXISTING UTILITIES ARE BASED ON THE BEST AVAILABLE INFORMATION. DEPTHS FOR SANITARY AND STORM PIPES ARE BASED ON FIELD MEASUREMENTS. OTHER EXISTING UTILITIES ARE SHOWN AT ASSUMED DEPTHS AS NOTED BELOW. CONTRACTOR SHALL FIELD-VERIFY ALL UTILITY DEPTHS.
 CABLE TV = 2.5 FEET
 GAS = 2.5 FEET
 ELECTRIC = 3.0 FEET
 WATER = 4.0 FEET
 ELECTRIC ROADWAY LIGHTING (RWL) = 3.0 FEET

FILE NAME = I:\14_jobs\1410131\CAD\Road\Sheet\c-301.dgn	USER NAME = carr-01216	DESIGNED - DLC	REVISED -
PLOT SCALE = 10.0000' / 1"		DRAWN - DLC	REVISED -
PLOT DATE = 8/25/2016		CHECKED - MGD	REVISED -
		DATE = 8/26/2016	REVISED -

**STATE OF ILLINOIS
DEPARTMENT OF TRANSPORTATION**

**PROJECT 1 - GREEN STREET
CROSS SECTIONS**

SCALE: SHEET OF SHEETS STA. 1014+00.00 TO STA. 1014+25.00

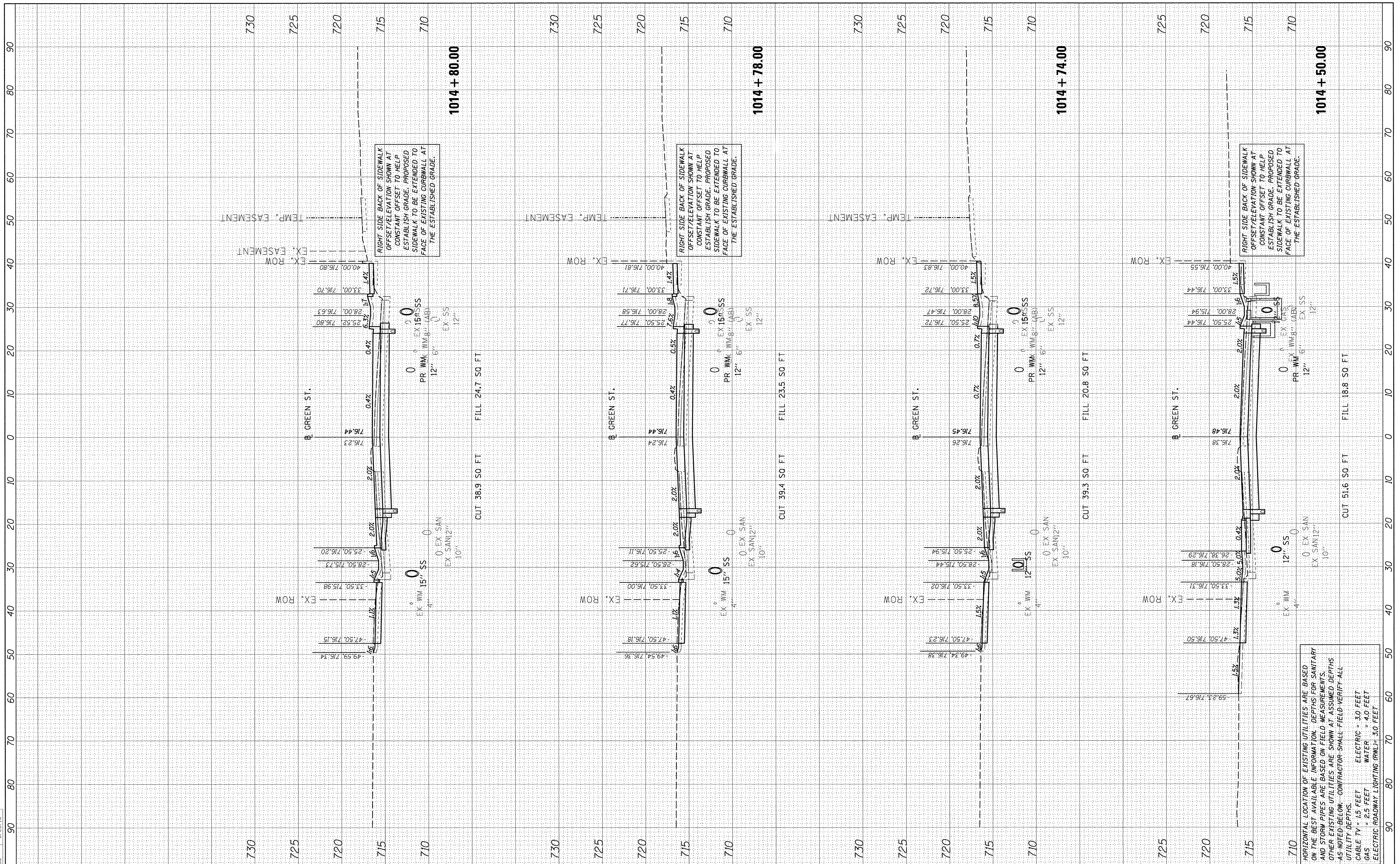
F.A. RTE. 7126	SECTION 15-00304-01-PV	COUNTY CHAMPAIGN	TOTAL SHEETS 236	SHEET NO. 199
CONTRACT NO. 91539			JOB NO. C-95-305-16	
ILLINOIS FED. AID PROJECT TIG-5181(057)				

FINAL SURVEY PLOTTED NOTE BOOK AREAS CHECKED	BY	DATE
NO.		



ORIGINAL SURVEY PLOTTED NOTE BOOK AREAS CHECKED	BY	DATE
NO.		

LAYOUT	DLC	3/10/16
DRAWN	DLC	8/24/16
REVIEWED	MGD	8/25/16



HORIZONTAL LOCATION OF EXISTING UTILITIES ARE BASED ON THE BEST AVAILABLE INFORMATION. DEPTHS FOR SANITARY AND STORM PIPES ARE BASED ON FIELD MEASUREMENTS. OTHER EXISTING UTILITIES ARE SHOWN AT ASSUMED DEPTHS AS NOTED BELOW. CONTRACTOR SHALL FIELD VERIFY ALL UTILITY DEPTHS.
 CABLE TV = 1.5 FEET
 GAS = 2.5 FEET
 ELECTRIC = 3.0 FEET
 WATER = 4.0 FEET
 ELECTRIC ROADWAY LIGHTING (RWL) = 3.0 FEET

FILE NAME = 1:\14\jobs\14L0131\CAD\Road\Sheet\c-301.dgn
 USER NAME = carr01216

DESIGNED - DLC
 DRAWN - DLC
 CHECKED - MGD
 DATE - 8/26/2016

REVISED -
 REVISED -
 REVISED -
 REVISED -

STATE OF ILLINOIS
 DEPARTMENT OF TRANSPORTATION

PROJECT 1 - GREEN STREET
 CROSS SECTIONS

SCALE: SHEET OF SHEETS STA. 1014+50.00 TO STA. 1014+80.00

F.A. RTE.	SECTION	COUNTY	TOTAL SHEETS	SHEET NO.
7126	15-00304-01-PV	CHAMPAIGN	236	200
CONTRACT NO. 91539			TIG-5181(057)	