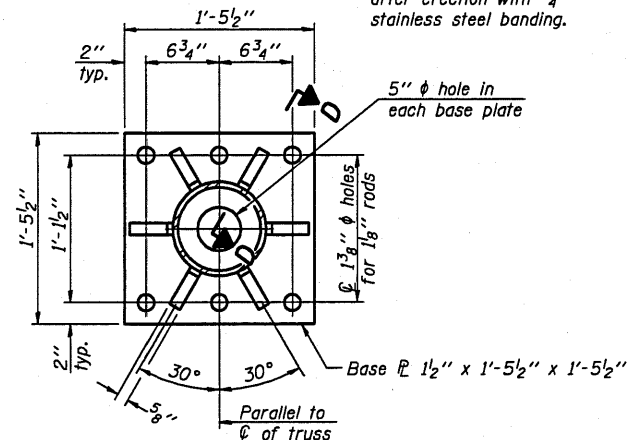


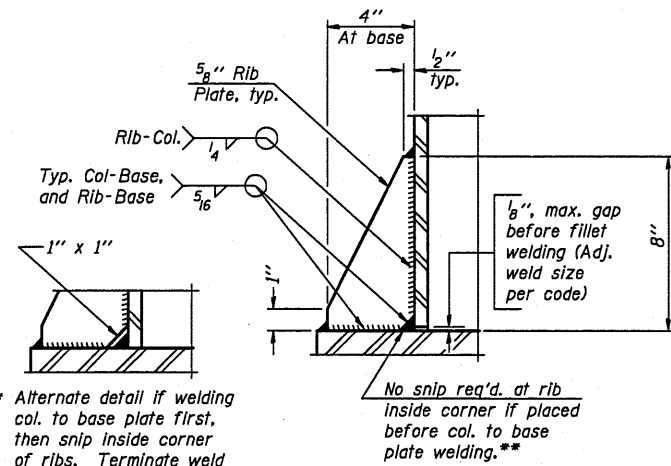
DETAIL B

Ribs shall be cut to fit slope of pipe.



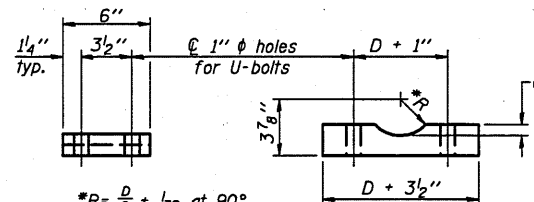
SECTION B-B

NUMBER	REVISION	DATE



SECTION D-D

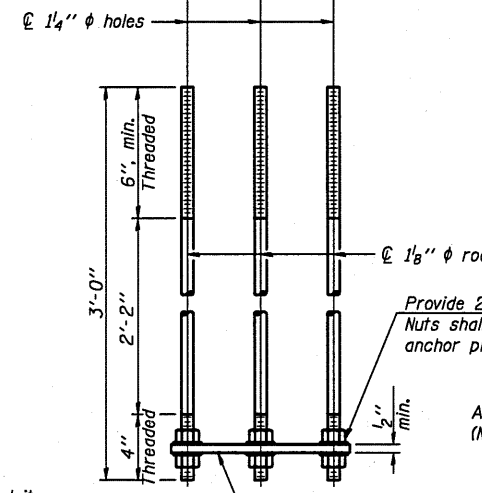
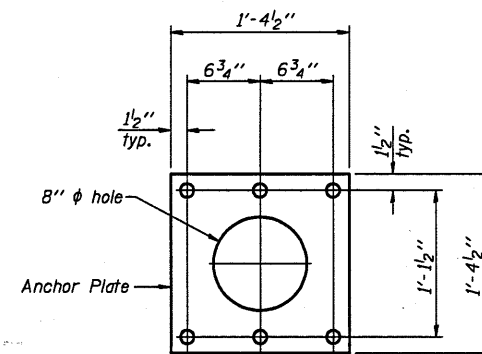
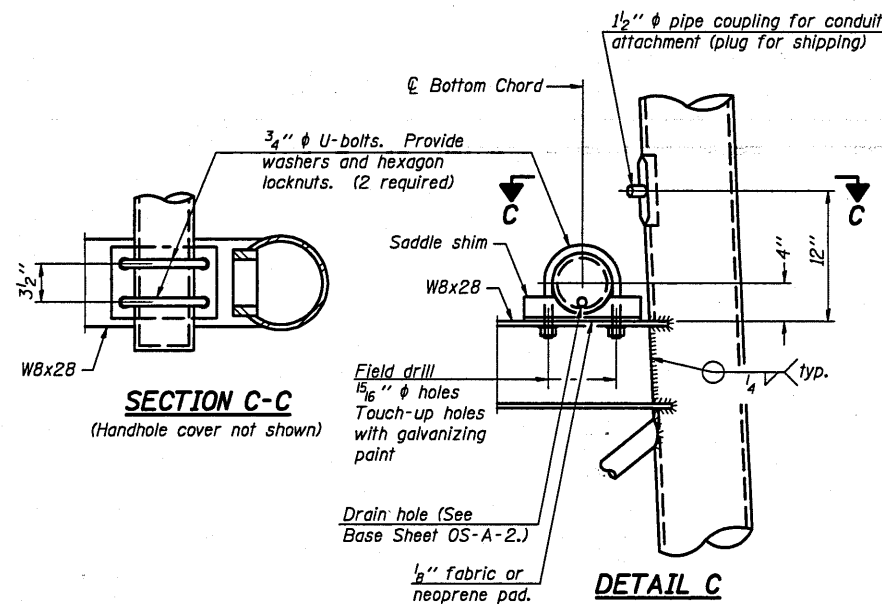
** Alternate detail if welding col. to base plate first, then snip inside corner of ribs. Terminate weld on rib 1/4" from snip.



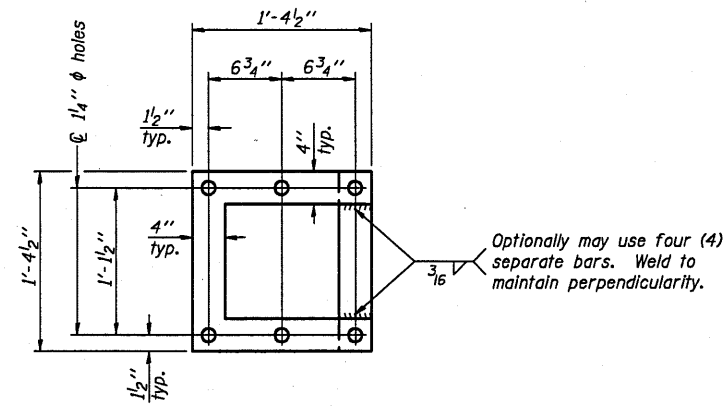
SADDLE SHIM DETAIL

ASTM B26 Alloy 356-F
or
ASTM B209 Alloy 6061-T651
(4 required per sign truss)

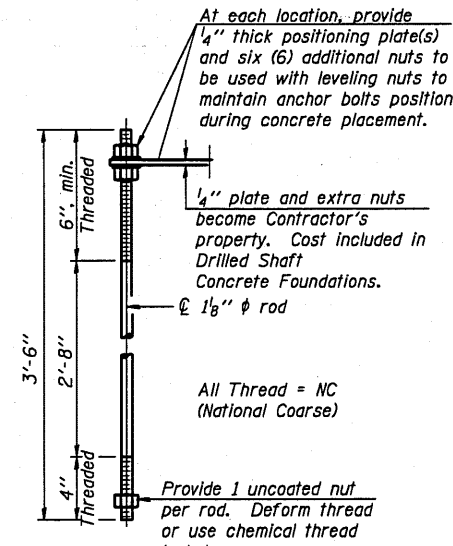
Truss Chord Nominal Dia.	a
5"	3/4"
5 1/2"	13/16"
6"	7/8"
6 1/2"	15/16"



ANCHOR ROD DETAIL
Spread Footing Foundation



POSITIONING PLATE(S)



ANCHOR ROD DETAIL
Drilled Shaft Foundation

Anchor rods shall conform to AASHTO M314 Grade 36 or 55 and meet Charpy V-Notch (CVN) energy of 15 lb.-ft. at 40° F. Galvanize upper 12" per AASHTO M232. No welding shall be permitted on rods.

TYPE I-A TRUSS
8" ϕ PIPE SUPPORT FRAME DETAILS

OS-A-4A

12-1-08

FILE NAME	USER NAME	DESIGNED	REVISED
os\pwwork\pwwork\os\os-a-4a\os-a-4a-detailed.dgn	buoklesJJ	-	-
		DRAWN	REVISED
		CHECKED	REVISED
		DATE	REVISED

STATE OF ILLINOIS
DEPARTMENT OF TRANSPORTATION

OVERHEAD SIGN STRUCTURES
SUPPORT FRAME DETAILS ALUMINUM TRUSS

SCALE: SHEET NO. OF SHEETS STA. TO STA.

F.A.I. RTE.	SECTION	COUNTY	TOTAL SHEETS	SHEET NO.
57&74		Champaign	37	14
* D-5 OVD SIN STR REPL 2011-12			CONTRACT NO. 46135	
ILLINOIS FED. AID PROJECT				