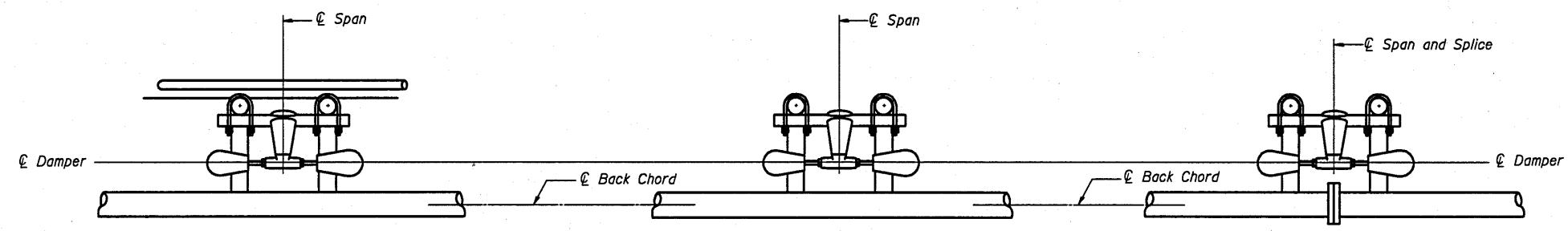


**ELEVATION**  
TRI-CHORD SIGN STRUCTURE

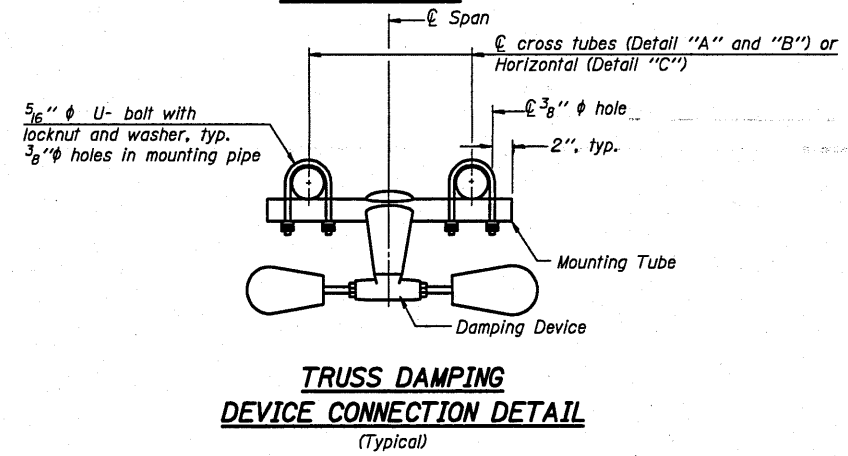
**NOTES**  
Damper: One damper per truss. (31 Lbs. Stockbridge-Type - 29" minimum between ends of weights) Cost included in TRI-CHORD Sign Structure...



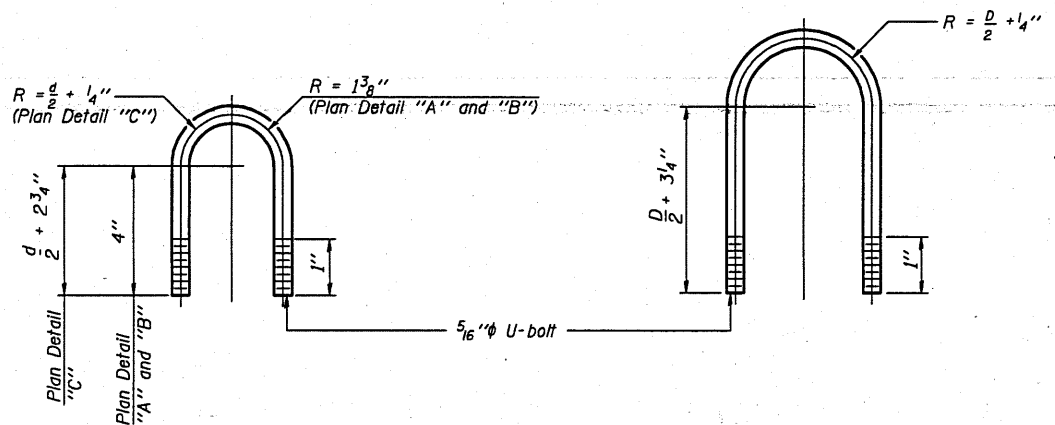
**SECTION A-A**

**SECTION B-B**

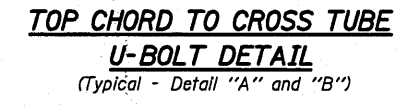
**SECTION C-C**



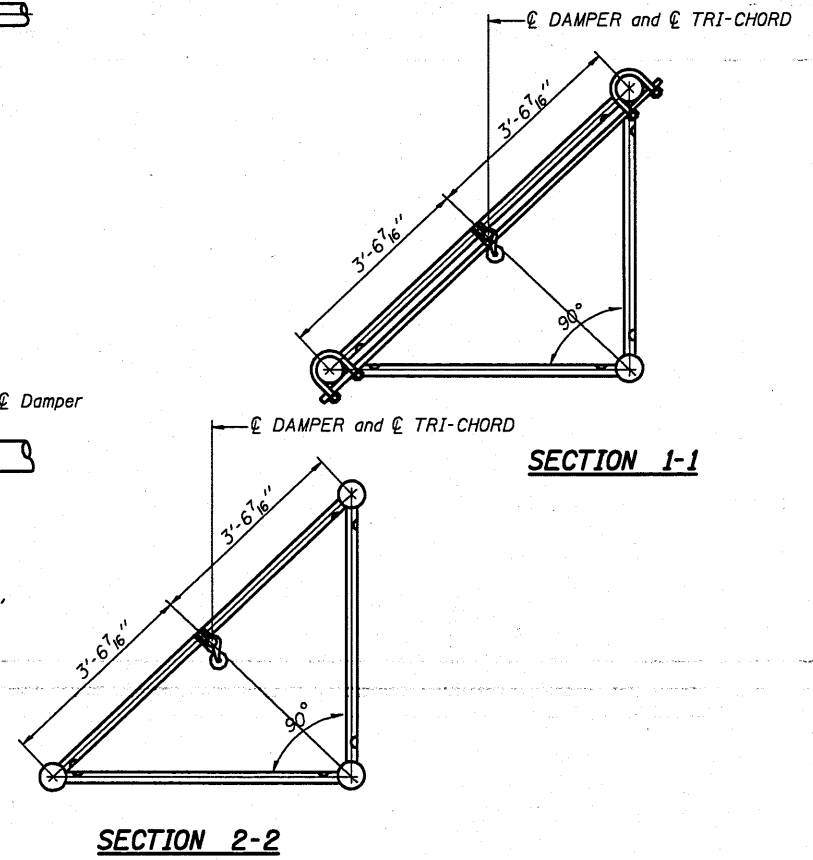
**TRUSS DAMPING DEVICE CONNECTION DETAIL**  
(Typical)



**DAMPING DEVICE MOUNTING TUBE U-BOLT DETAIL**  
(Typical)



**TOP CHORD TO CROSS TUBE U-BOLT DETAIL**  
(Typical - Detail "A" and "B")



**SECTION 1-1**

**SECTION 2-2**

TRI-S-4 12-1-08

FILE NAME =	USER NAME = bucklesj	DESIGNED -	REVISED -
cr:\pwwork\pwsdot\bucljesj\d0212597\0546135-sht-Details.dgn		DRAWN -	REVISED -
		CHECKED -	REVISED -
		DATE -	REVISED -

STATE OF ILLINOIS  
DEPARTMENT OF TRANSPORTATION

TRI-CHORD SIGN STRUCTURE  
DAMPING DEVICE

SCALE: SHEET NO. OF SHEETS STA. TO STA.

F.A.I. RTE.	SECTION	COUNTY	TOTAL SHEETS	SHEET NO.
57&74	*	Champaign	37	25
D-5 OVD SIN STR REPL 2011-12			CONTRACT NO. 46135	
ILLINOIS FED. AID PROJECT				