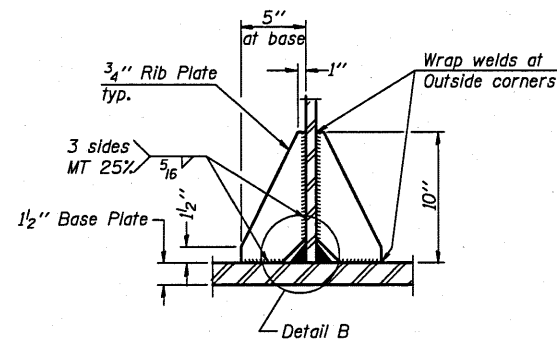
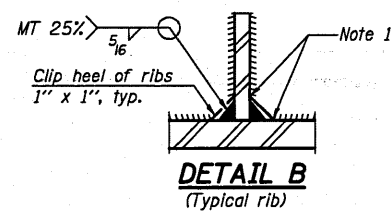


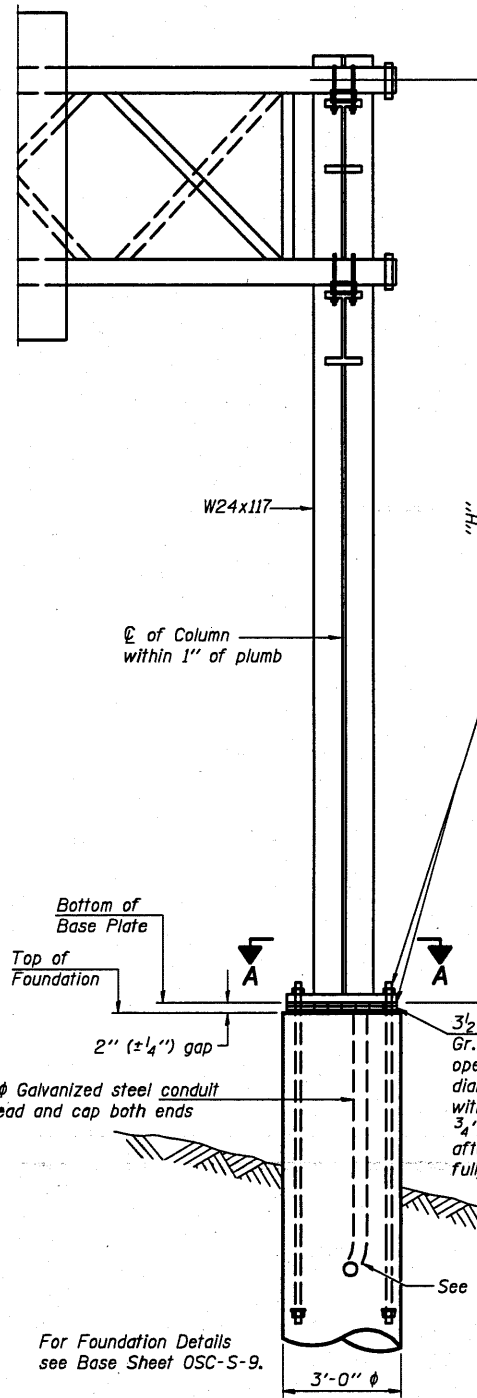
SECTION A-A



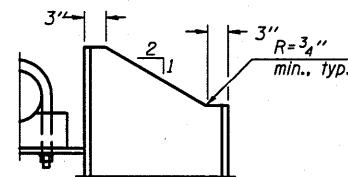
SECTION B-B



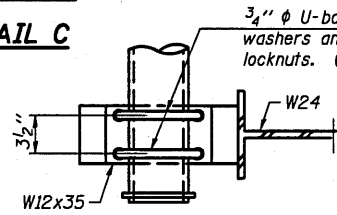
Note 1: Extend welds to clip to facilitate galvanizing.



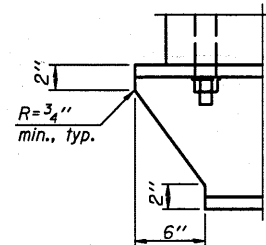
FRONT ELEVATION



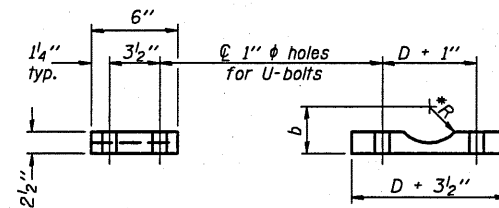
DETAIL C



SECTION C-C



DETAIL D

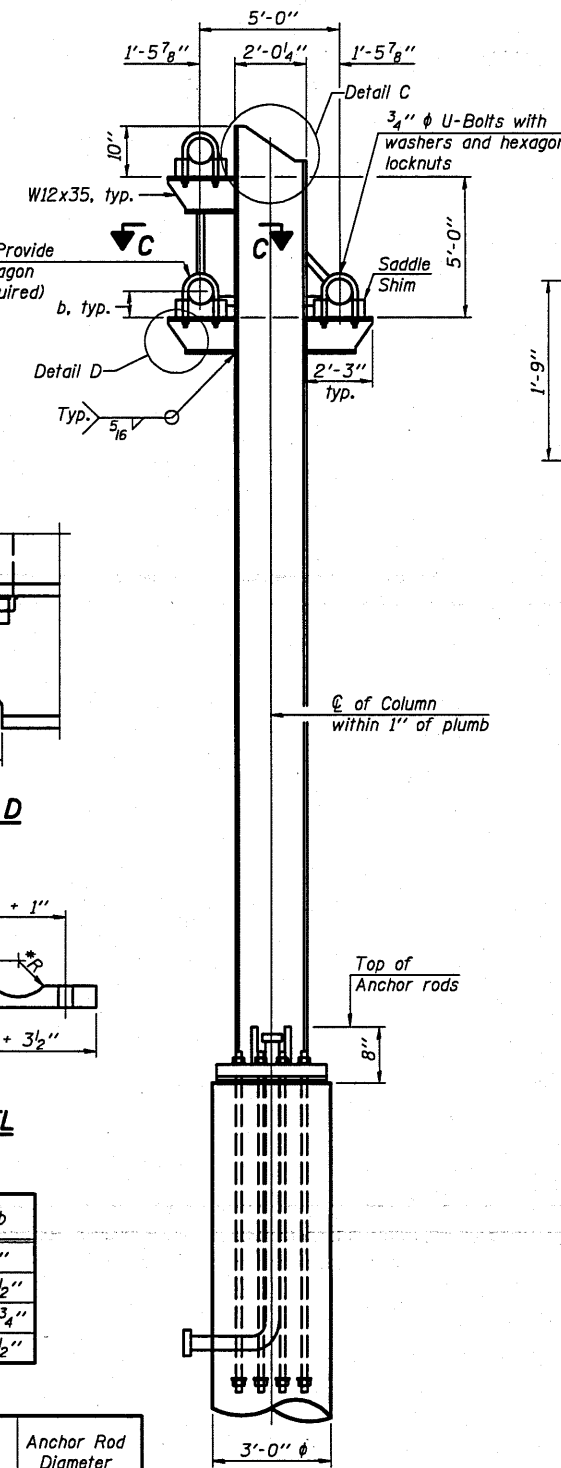


SADDLE SHIM DETAIL

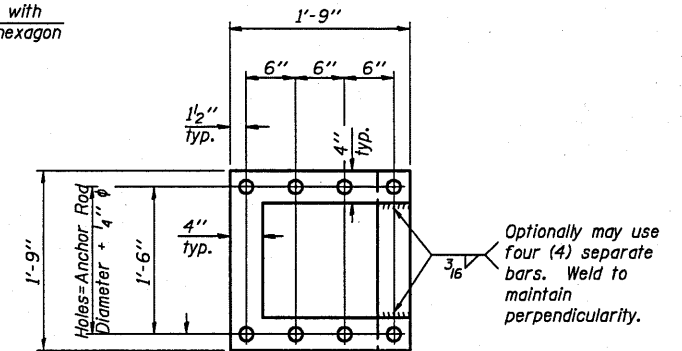
Chord Outside Diameter	R	b
4.500	2 5/16"	4"
5.563	2 7/8"	4 1/2"
6.625	3 3/8"	4 3/4"
8.625	4 3/8"	5 1/2"

Structure Number	Station	Column		H (ft.)	Anchor Rod Diameter (in.)
		Left	Right		
5 S 010 1074 R185.40	39+46	X		25'-3"	1 1/2"
5 S 010 1074 R185.40	39+46		X	27'-3"	1 3/4"

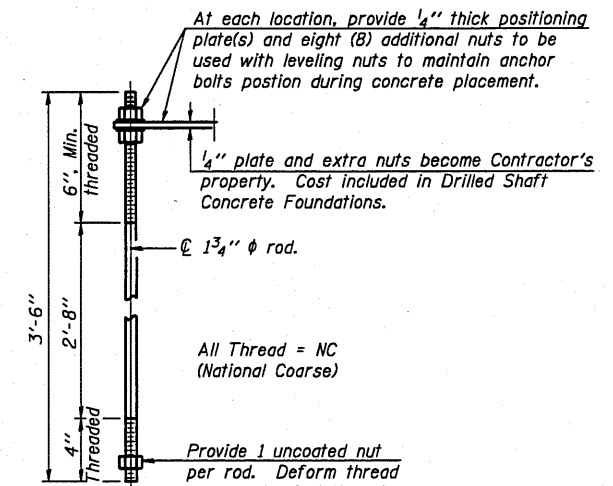
NUMBER	REVISION	DATE



END ELEVATION



POSITIONING PLATE(S)



ANCHOR ROD DETAIL
Drilled Shaft Foundation

TRI-S-5

12-1-08

FILE NAME	USER NAME	DESIGNED	REVISED
c:\pwworkspace\pwworkspace\projects\2011-12\12-1-08\12-1-08.dwg	buoklesj	-	-
		DRAWN	REVISED
		CHECKED	REVISED
		DATE	REVISED

STATE OF ILLINOIS
DEPARTMENT OF TRANSPORTATION

TRI-CHORD SIGN STRUCTURES
TRUSS SUPPORT COLUMN STEEL TRUSS & STEEL POST

F.A.I. RTE.	SECTION	COUNTY	TOTAL SHEETS	SHEET NO.
57&74		Champaign	37	26
D-5 OVD SIN STR REPL 2011-12		CONTRACT NO.		46135
ILLINOIS FED. AID PROJECT				

SCALE: SHEET NO. OF SHEETS STA. TO STA.