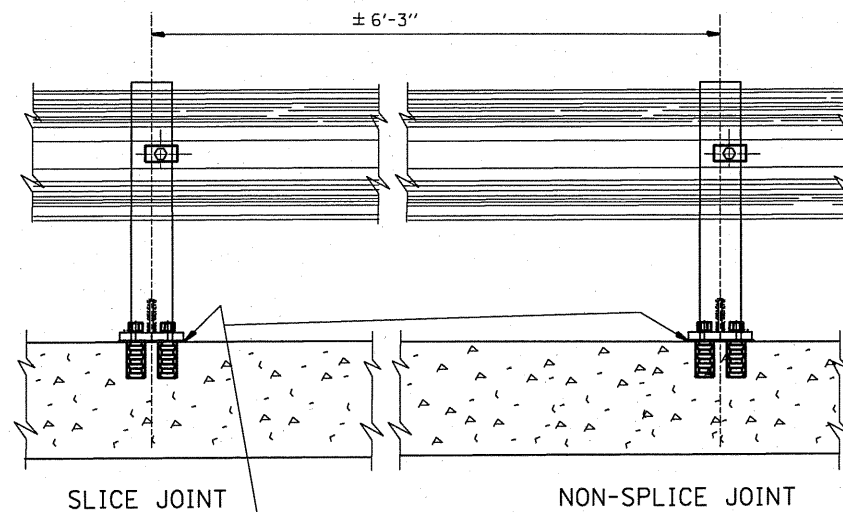
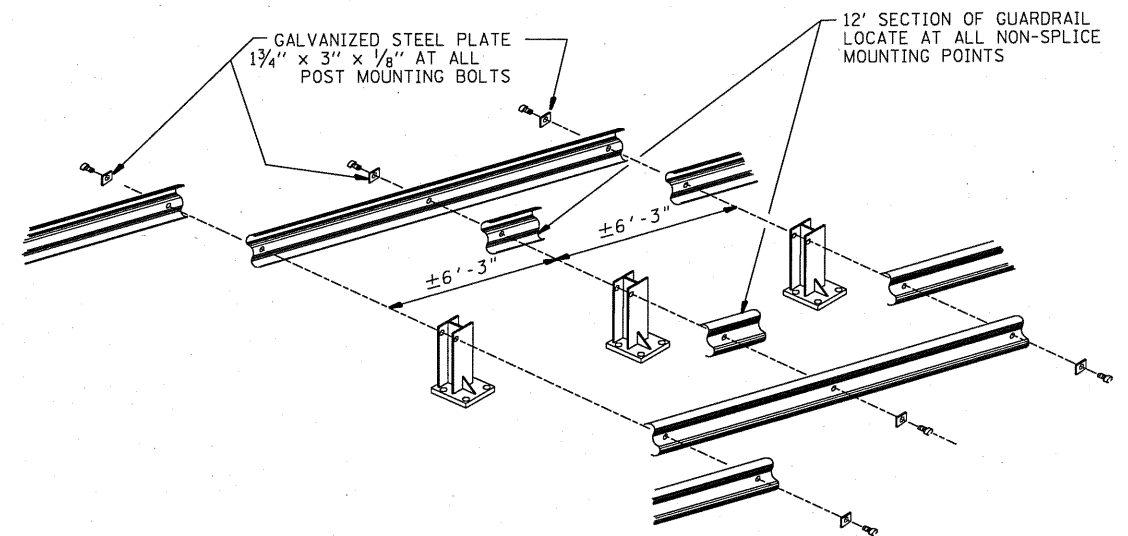


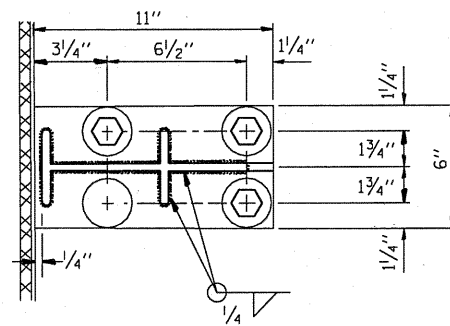
7/8" GALVANIZED ANCHOR BOLTS AND SELF DRILLING EXPANSION SHELLS OR MULTI UNIT TYPE ANCHORS
1/8" HOLES THRU BASE PLATE



SEAL PERIMETER OF BASE OF POST TO MEDIAN WITH TWO COMPONENT NON-STAINING GRAY SEALING COMPOUND WITH POLYSULFIDE LIQUID POLYMERS - GUN GRADE WITH PRIMER



NOTE:
DIAMOND TIPPED DRILL SHALL BE USED TO DRILL THRU REINFORCEMENT BARS



SEC. A-A

NOTE:

POSTS SHALL BE HOT DIPPED GALVANIZED AFTER FABRICATION IN ACCORDANCE WITH ASTM DESIGNATIONS A-123 AND A-385.

TWO PERCENT (2%) OF ALL ANCHOR BOLTS SHALL BE TEST LOADED IN PLACE. MIN. TEST LOAD = 8 KIPS.

ALL BOLTS, NUTS AND WASHERS SHALL BE GALVANIZED IN ACCORDANCE WITH ASTM DESIGNATION A-153.

FOR MATERIAL COMPOSITION OF PREFABRICATED PAD, SEE ARTICLE 54.9(F), (BEARING AND ANCHORAGE), OF THE STANDARD SPECIFICATIONS.

PROVIDE 1-1/8" AND 2-1/16" GALVANIZED STEEL SHIMS FOR 25% OF THE POSTS.

IF ONE ANCHOR BOLT FAILS DURING TEST, TWO OTHER ANCHOR BOLTS SHALL BE TESTED. TESTING EQUIPMENT CAN BE OBTAINED FROM BOLT COMPANIES.

THIS SHEET IS FOR INFORMATION ONLY

FILE NAME =	USER NAME = mdyje	DESIGNED -	REVISED -	STATE OF ILLINOIS DEPARTMENT OF TRANSPORTATION	TYPICAL DETAIL FOR CENTER LONGITUDINAL JOINT GUARDRAIL JOINT				F.A. RTE.	SECTION	COUNTY	TOTAL SHEETS	SHEET NO.
c:\pwork\pwork\modyje\0213082\Design\dgn		DRAWN -	REVISED -		SCALE:	SHEET NO.	OF SHEETS	STA.	TO STA.	2010-057 GRR	VARIOUS	22	12
		CHECKED -	REVISED -										
		DATE -	REVISED -										
									FED. ROAD DIST. NO.	ILLINOIS FED. AID PROJECT			