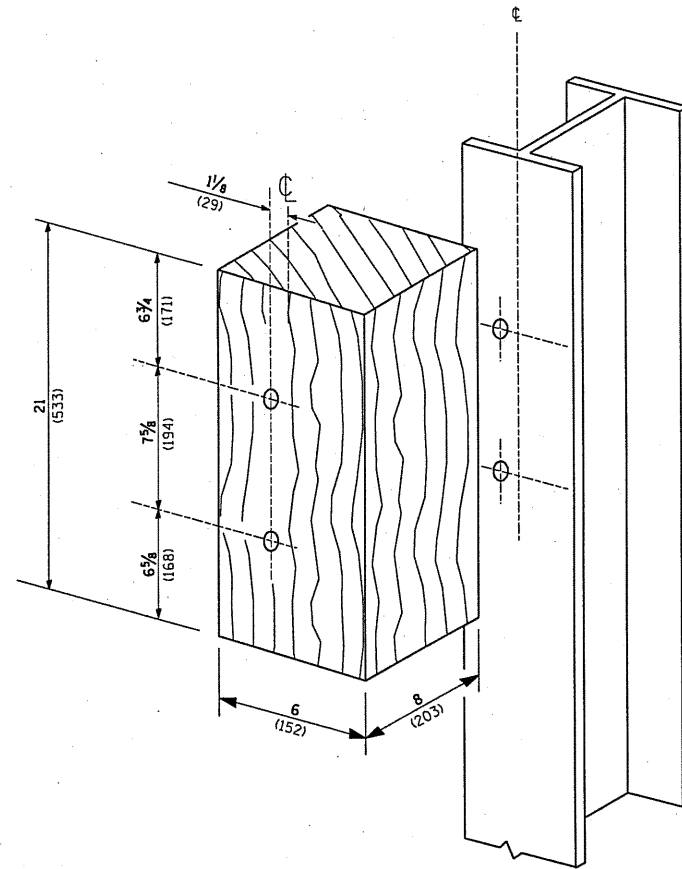
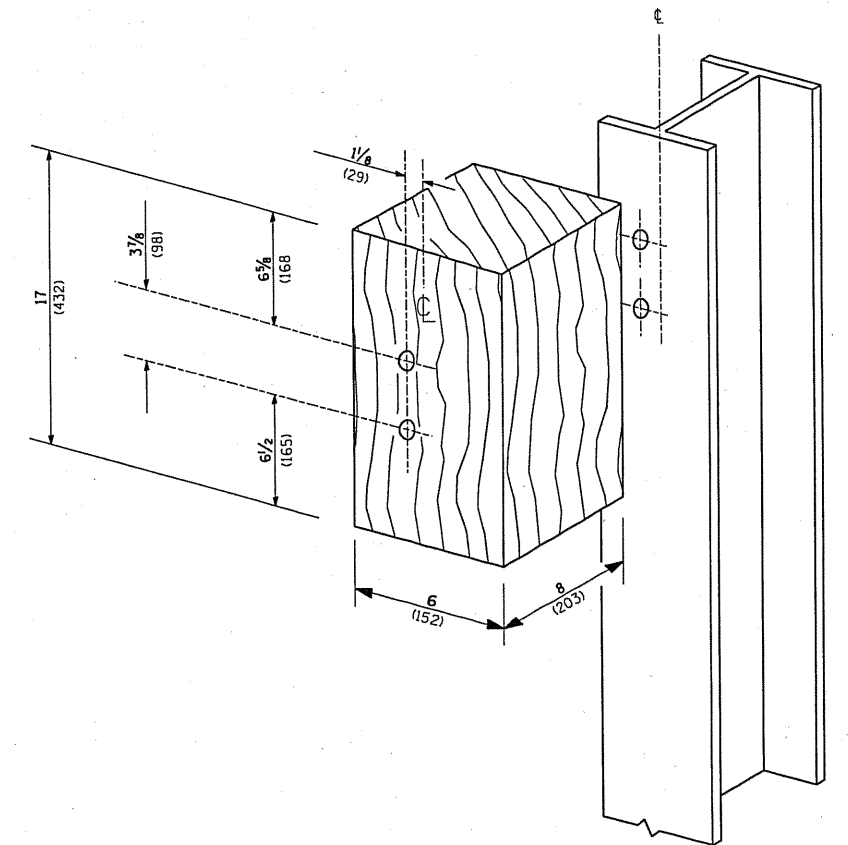


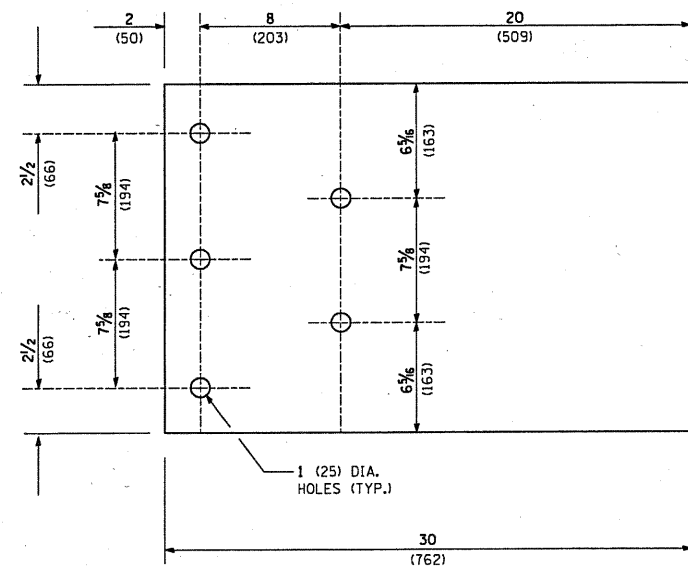
THRIE BEAM END SHOE DETAIL



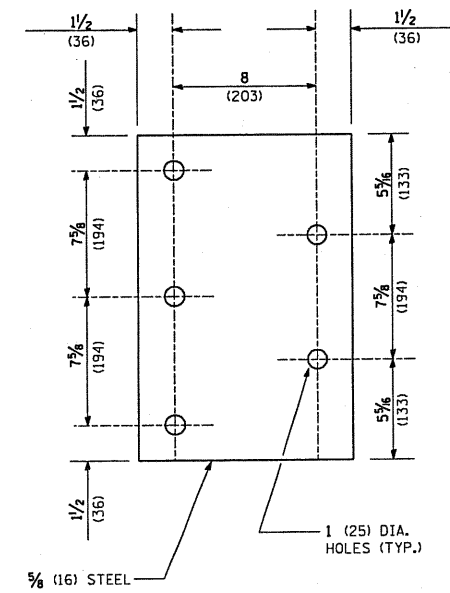
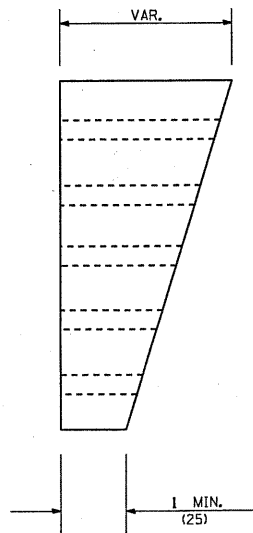
POSTS 1-11 WOOD BLOCKOUT DETAIL



POST 12 WOOD BLOCKOUT DETAIL



PARAPET WOOD BLOCK-OUT DETAIL



PARAPET STEEL BEARING PLATE DETAIL

(5 EACH INDIVIDUAL 5x5x3/8 (125x125x16) STEEL PLATES WITH CENTERED 1 (25) HOLES MAY BE SUBSTITUTED FOR THE PLATE SHOWN.)

FILE NAME =	USER NAME = midyja	DESIGNED -	REVISED - STATE STANDARD:
c:\pwwork\pwwork\midyja\0213082\DistStd.dgn		DRAWN -	631031-05 - 02/19/2008
PLOT SCALE = 100.0000 / IN.		CHECKED -	REVISED -
PLOT DATE = 7/22/2010		DATE -	REVISED -

STATE OF ILLINOIS  
DEPARTMENT OF TRANSPORTATION

TYPE 6 TERMINAL  
FOR USE WITH 21" HIGH SPBGR

SCALE: NONE SHEET NO. 3 OF 3 SHEETS STA. TO STA.

F.A. RTE.	SECTION	COUNTY	TOTAL SHEETS	SHEET NO.
VAR.	2010-057 GRR	VAR.	22	21
BM 22			CONTRACT NO. 60L35	
FED. ROAD DIST. NO. 1 ILLINOIS FED. AID PROJECT				