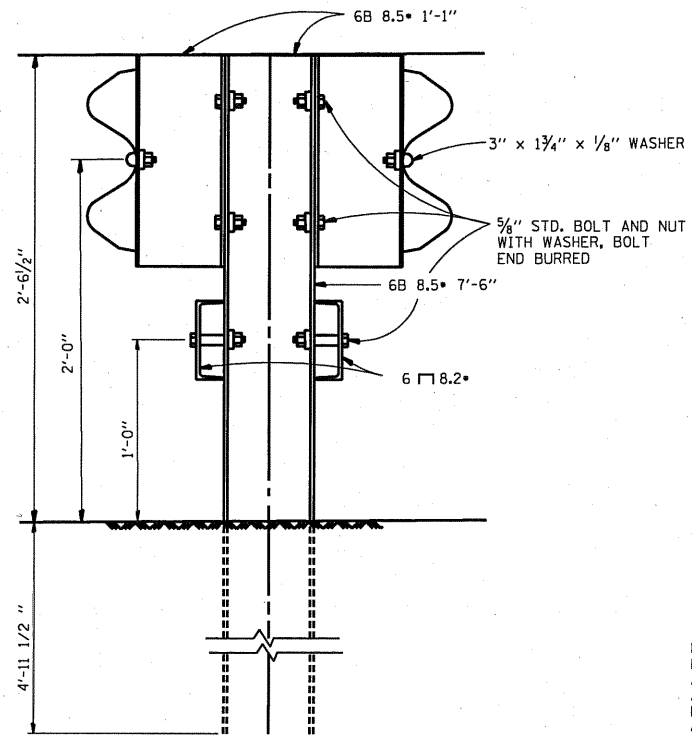


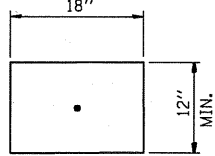
ELEVATION

DETAIL OF END SECTION

NOTE 1:
FOR DETAILS OF GUARDRAIL END ANCHORAGE
AT PIERS, SEE SHEET NO. _____

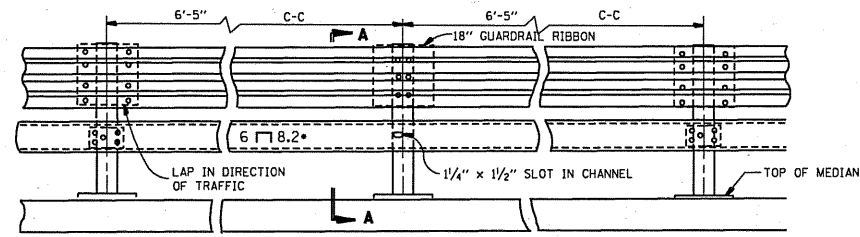


SECTION A-A

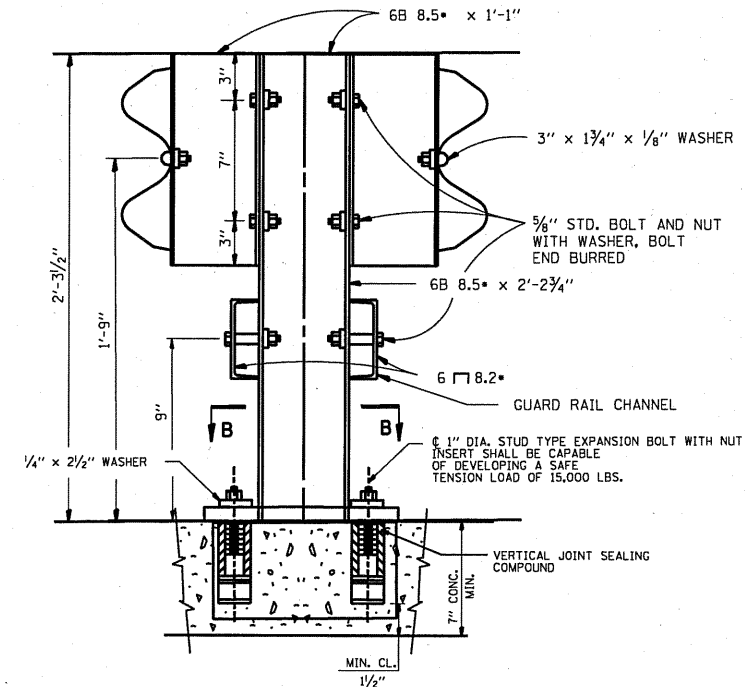


18" GUARDRAIL ELEMENT SPLICE

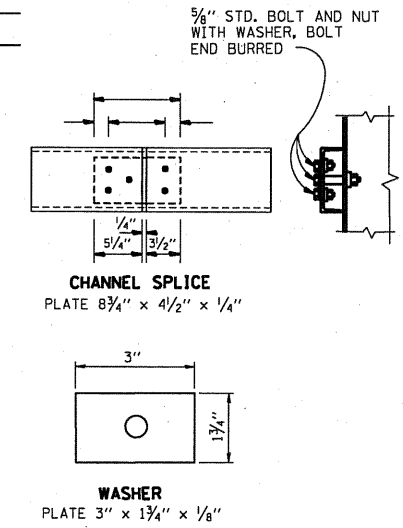
NOTE:
FOR DETAIL OF RAIL ELEMENT, RAIL SPLICING, BOLT,
AND NUT, SEE STATE STANDARD 630001.
A 1 3/4" x 3" x 1/8" STEEL PLATE WASHER AS SHOWN ON THIS
DRAWING SHALL BE PLACED BETWEEN THE BOLT HEAD
AND THE GUARDRAIL RIBBON AT ALL MOUNTING POINTS.
AN 18" PIECE OF GUARDRAIL RIBBON SHALL BE INSERTED
BETWEEN THE CONTINUOUS RIBBON AND THE POST AT
NON-SLICE MOUNTING POINTS.
RAIL, CHANNELS, POSTS, BASE PLATES, FASTENINGS,
AND ALL OTHER EXPOSED ACCESSORIES SHALL BE
GALVANIZED.



ELEVATION



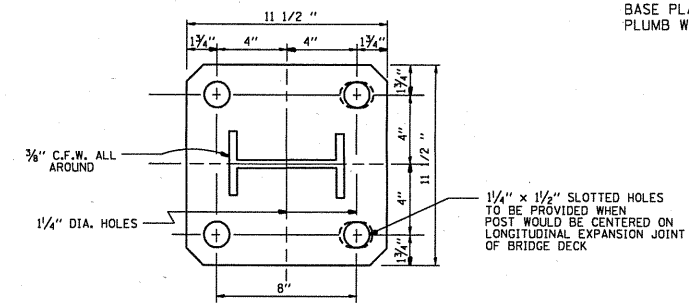
SECTION A-A
ANCHORAGE DETAIL



CHANNEL SPLICE
PLATE 8 3/4" x 4 1/2" x 1/4"

WASHER
PLATE 3" x 1 3/4" x 1/8"

NOTE:
ALL WELDS SHALL BE GROUND SMOOTH.
POSTS SHALL BE CUT AND WELDED TO THE
BASE PLATE SO THAT THE POSTS WILL BE
PLUMB WHEN ERECTED.



RAIL POST BASE PLATE
R 11 1/2" x 1/4" x 11 1/2"

SECTION B-B

THIS SHEET IS FOR INFORMATION ONLY

FILE NAME =	USER NAME = midyja	DESIGNED -	REVISED -	STATE OF ILLINOIS DEPARTMENT OF TRANSPORTATION	STEEL PLATE BEAM GUARDRAIL SPECIAL	F.A. RTE.	SECTION	COUNTY	TOTAL SHEETS	SHEET NO.	
cr:\pwork\pwork\midyja\0213106\Design.dgn	PLOT SCALE = 1/8" = 1' / IN.	DRAWN -	REVISED -			VAR	2010-05B GRR	VARIOUS	21	12	
PLOT DATE = 8/27/2010	DATE -	CHECKED -	REVISED -			CONTRACT NO. 60L36					
		DATE -	REVISED -			ILLINOIS FED. AID PROJECT					
SCALE: SHEET NO. OF SHEETS STA. TO STA.											