

F.A. RTE.	SECTION	COUNTY	TOTAL SHEETS	SHEET NO.
VAR	2010-059-1	VARIOUS	14	1
FED. ROAD DIST. NO.	ILLINOIS	CONTRACT NO. 60L37		

STATE OF ILLINOIS
DEPARTMENT OF TRANSPORTATION

DIVISION OF HIGHWAYS

**PROPOSED
HIGHWAY PLANS**

**ROUTE: VARIOUS EXPRESSWAYS AND ARTERIAL
HIGHWAYS – NORTHERN PART, DISTRICT ONE**

SECTION: 2010-059-1

FENCE REPAIR

COUNTY: VARIOUS

C-91-688-10

FOR INDEX OF SHEETS, SEE SHEET NO. 2



**SEE LOCATION MAPS
SHEETS 4 THRU 8**

C.U.A.N.
CHICAGO UTILITY ALERT NETWORK
1-312-744-7000

J.U.L.I.E.
JOINT UTILITY LOCATION INFORMATION FOR EXCAVATION
1-800-892-0123
OR 811

PROJECT ENGINEER: ROBERT BORO (847) 705-4178
PROJECT MANAGER: ISSAM RAYYAN

CONTRACT NO. 60L37

STATE OF ILLINOIS
DEPARTMENT OF TRANSPORTATION
DIVISION OF HIGHWAYS

SUBMITTED August 25, 2010
Diana M. O'Keefe
DEPUTY DIRECTOR OF HIGHWAYS, REGION ENGINEER

October 1, 2010
Scott E. Stitt, P.E.
ENGINEER OF DESIGN AND ENVIRONMENT

October 1, 2010
Christine M. Reedler
DIRECTOR OF HIGHWAYS, CHIEF ENGINEER

**PRINTED BY THE AUTHORITY
OF THE STATE OF ILLINOIS**

INDEX OF SHEETS

1. TITLE SHEET
2. INDEX OF SHEETS
LIST OF APPLICABLE STATE STANDARDS
3. SUMMARY OF QUANTITIES
4. COOK COUNTY (NORTH OF ILL. 38) LOCATION MAP
5. DUPAGE COUNTY (NORTH OF ILL. 38) LOCATION MAP
6. KANE COUNTY (NORTH OF ILL. 38) LOCATION MAP
7. LAKE COUNTY LOCATION MAP
8. MCHENRY COUNTY LOCATION MAP
9. DETAILS OF PEDESTRIAN BARRIER TYPE III (STD. 10-SS-514R)
10. CHAIN LINK FENCE (STD. 10-SS-506B)
11. CHAIN LINK FENCE POST SLEEVE REPAIR DETAIL
12. PROPOSED PEDESTRIAN BARRIER AND CHAIN LINK FENCE
WITH TENSION WIRE AND FENCE RAIL REMOVAL
13. SPECIAL DETAILS
14. TRAFFIC CONTROL DETAILS FOR SHOULDER CLOSURE AND
PARTIAL RAMP CLOSURES

STATE STANDARDS

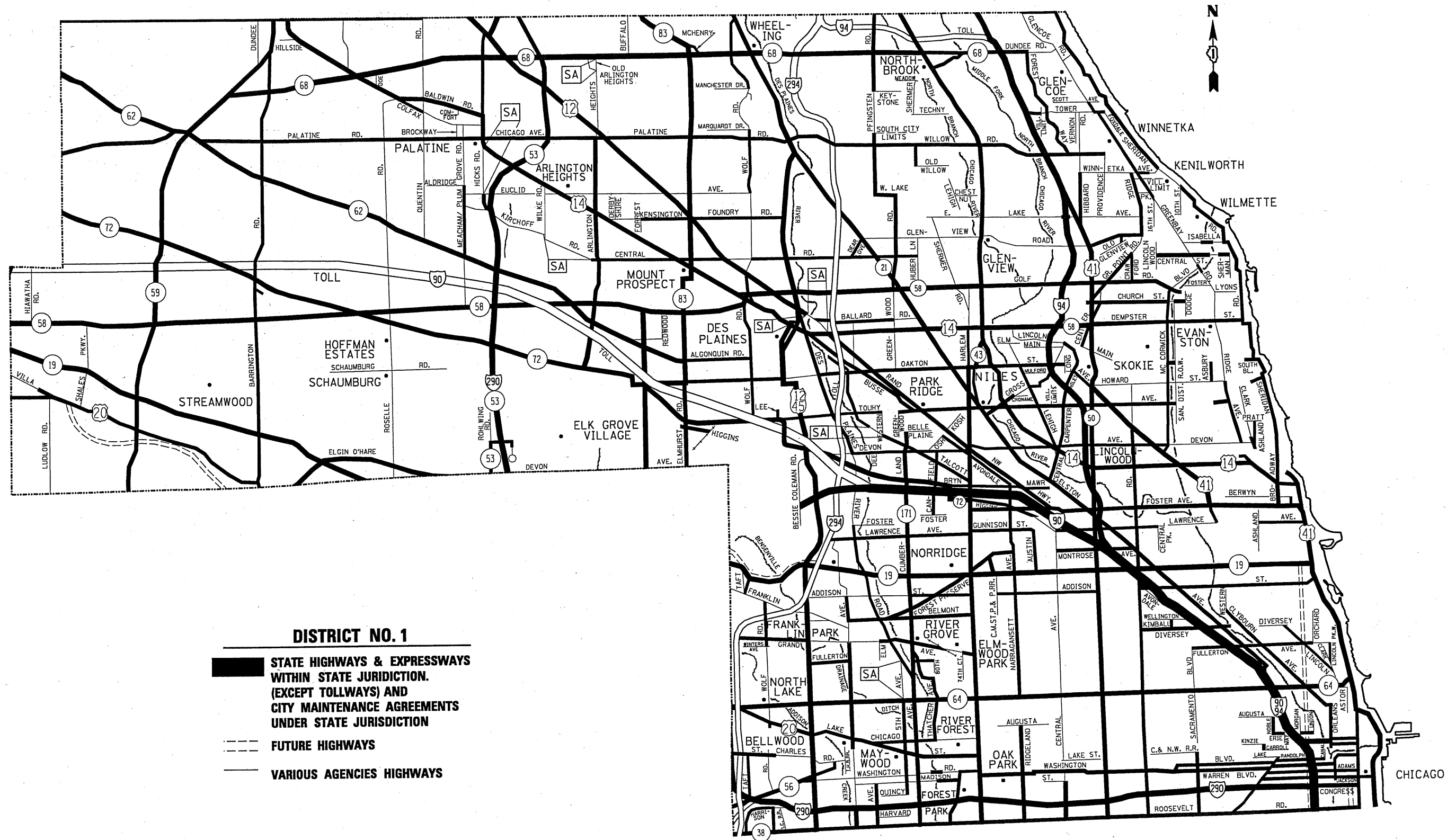
DESCRIPTION

664001 - 02	CHAIN LINK FENCE
665001 - 02	WOVEN WIRE FENCE
701001 - 02	OFF-RD OPERATIONS, 2L, 2W, MORE THAN 15' AWAY
701006 - 03	OFF-RD OPERATIONS, 2L, 2W, 15' TO 24" FROM PAVEMENT EDGE
701101 - 02	OFF-RD OPERATIONS, MULTILANE, 15' TO 24" FROM PAVEMENT EDGE
701106 - 02	OFF-RD OPERATIONS, MULTILANE, MORE THAN 15' AWAY
701201 - 03	LANE CLOSURE, 2L, 2W, DAY ONLY, FOR SPEED > 45 MPH
701301 - 03	LANE CLOSURE, 2L, 2W, SHORT TIME OPERATIONS
701421 - 02	LANE CLOSURE, MULTILANE, DAY OPERATIONS ONLY, FOR SPEEDS > 45 MPH TO 55 MPH
701422 - 02	LANE CLOSURE, MULTILANE, FOR SPEEDS > 45 MPH TO 55 MPH
701501 - 05	URBAN LANE CLOSURE, 2L, 2W, UNDIVIDED
701606 - 06	URBAN LANE CLOSURE, MULTILANE, 2W WITH MOUNTABLE MEDIAN
710701 - 06	URBAN LANE CLOSURE, MULTILANE INTERSECTION
701801 - 04	LANE CLOSURE MULTILANE 1W OR 2W CROSSWALK OR SIDEWALK CLOSURE
701901 - 01	TRAFFIC CONTROL DEVICES

FILE NAME =	USER NAME = midyja	DESIGNED -	REVISED -	STATE OF ILLINOIS DEPARTMENT OF TRANSPORTATION	INDEX OF SHEETS AND STATE STANDARDS				F.A. RTE.	SECTION	COUNTY	TOTAL SHEETS	SHEET NO.		
ct:\pwork\pwork\midyja\d0213131\Design.dgn		DRAWN -	REVISED -		SCALE:	SHEET NO.	OF	SHEETS	STA.	TO STA.	VAR	2010-059-1	VARIOUS	14	2
		CHECKED -	REVISED -		CONTRACT NO. 60L37										
		DATE -	REVISED -		FED. ROAD DIST. NO. ILLINOIS FED. AID PROJECT										
	PLOT SCALE = 100.000' / IN.														
	PLOT DATE = 8/4/2010														

SUMMARY OF QUANTITIES			CONSTRUCTION TYPE CODE: 0021						
CODE NO	ITEM	UNIT	URBAN TOTAL QUANTITIES	100% STATE CONT. MAINT.	100% MCHD				
				0021	0021				
66400505	CHAIN LINK FENCE, 8'	FOOT	215	170	45				
66410300	CHAIN LINK FENCE REMOVAL	FOOT	50	40	10				
66410705	CHAIN LINK GATES (SPECIAL)	SO FT	875	700	175				
66500105	WOVEN WIRE FENCE, 4'	FOOT	20	16	4				
X0321153	CHAIN LINK FENCE POST SLEEVE REPAIR	EACH	50	40	10				
X6640100	FENCE RAIL REMOVAL	FOOT	2000	1600	400				
Z0009600	CHAIN LINK FABRIC, SPECIAL, 5'-0"	FOOT	25	20	5				
Z0009700	CHAIN LINK FABRIC, SPECIAL, 6'-0"	FOOT	2500	2000	500				
Z0009800	CHAIN LINK FABRIC, SPECIAL, 7'-0"	FOOT	10	8	2				
Z0009810	CHAIN LINK FABRIC, SPECIAL, 8'-0"	FOOT	75	60	15				
Z0009900	CHAIN LINK FABRIC, TYPE 1, 4'-0"	FOOT	21000	16800	4200				
Z0010300	CHAIN LINK FABRIC, TYPE 3, SPECIAL	FOOT	500	400	100				
Z0020210	PULL POST ARRANGEMENT	EACH	2	1	1				
Z0033200	LINE POST, TYPE 1	EACH	900	720	180				
Z0033305	LINE POST, TYPE 3 SPECIAL	EACH	25	20	5				
Z0042500	POST, SPECIAL	EACH	140	112	28				
Z0042505	POST REMOVAL AND REPLACEMENT	EACH	5	4	1				
Z0074000	TERMINAL POST, TYPE 1	EACH	50	40	10				
Z0074010	TERMINAL POST, TYPE 3 SPECIAL	EACH	5	4	1				

FILE NAME =	USER NAME = midyjo	DESIGNED -	REVISED -	STATE OF ILLINOIS DEPARTMENT OF TRANSPORTATION	SUMMARY OF QUANTITIES				F.A. RTE.	SECTION	COUNTY	TOTAL SHEETS	SHEET NO.
c:\pwork\pwork\midyjo\0213131\Design.dgn		DRAWN -	REVISED -						VAR	2010-059-1	VARIOUS	14	3
PLOT SCALE = 1/8" = 1' / IN.		CHECKED -	REVISED -		SCALE: SHEET NO. OF SHEETS STA. TO STA.				FED. ROAD DIST. NO. ILLINOIS FED. AID PROJECT				
PLOT DATE = 8/27/2010		DATE -	REVISED -						CONTRACT NO. 60L37				



DISTRICT NO. 1

- STATE HIGHWAYS & EXPRESSWAYS WITHIN STATE JURISDICTION. (EXCEPT TOLLWAYS) AND CITY MAINTENANCE AGREEMENTS UNDER STATE JURISDICTION**
- FUTURE HIGHWAYS**
- VARIOUS AGENCIES HIGHWAYS**

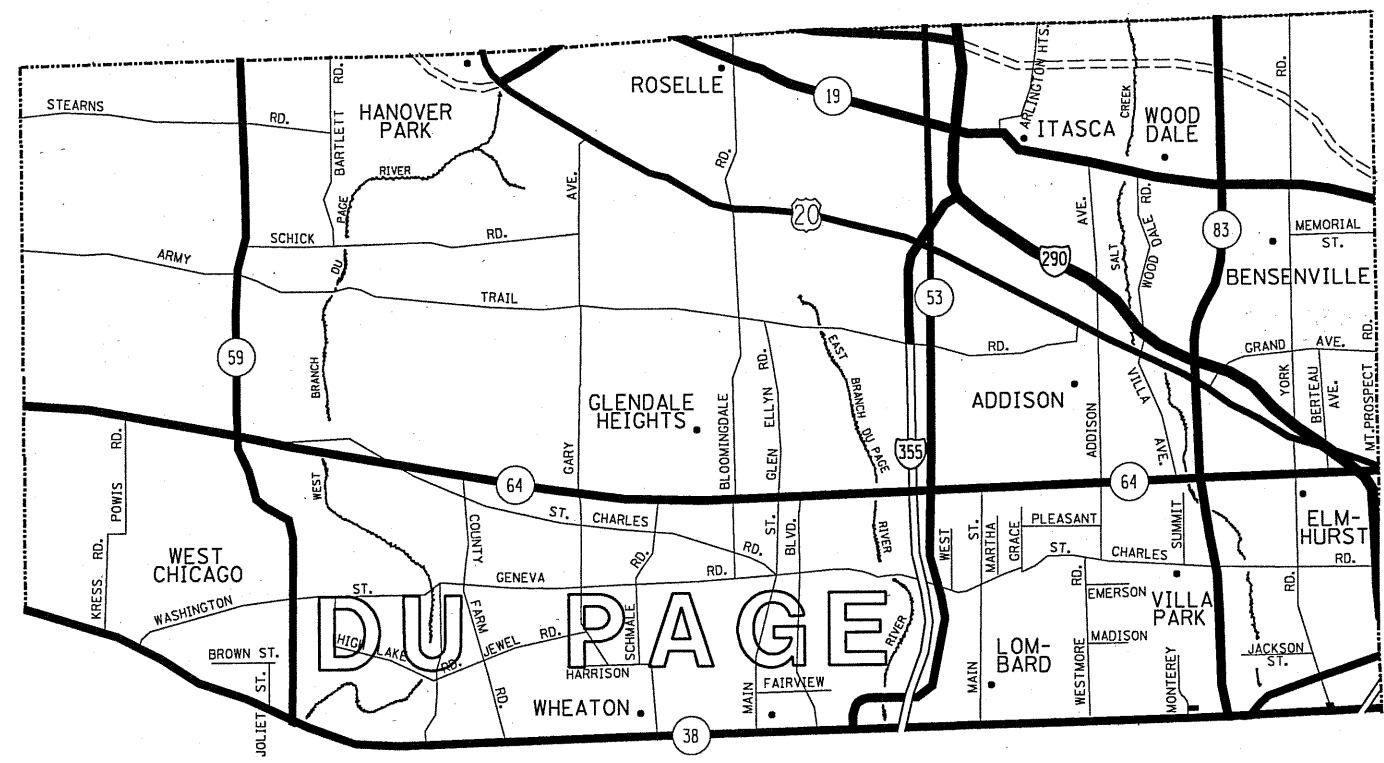
**STATE OF ILLINOIS
DEPARTMENT OF TRANSPORTATION**

**FENCE REPAIR LOCATION MAP - COOK COUNTY
NORTH OF AND INCLUDING IL ROUTE 38**

FILE NAME =	USER NAME = midy.je	DESIGNED -	REVISED -
c:\pwork\midy\dot\midy.je\d0213131\Design.dgn		DRAWN -	REVISED -
	PLOT SCALE = 100.000' / IN.	CHECKED -	REVISED -
	PLOT DATE = 8/4/2010	DATE -	REVISED -

SCALE:	SHEET NO. OF SHEETS	STA. TO STA.
--------	---------------------	--------------

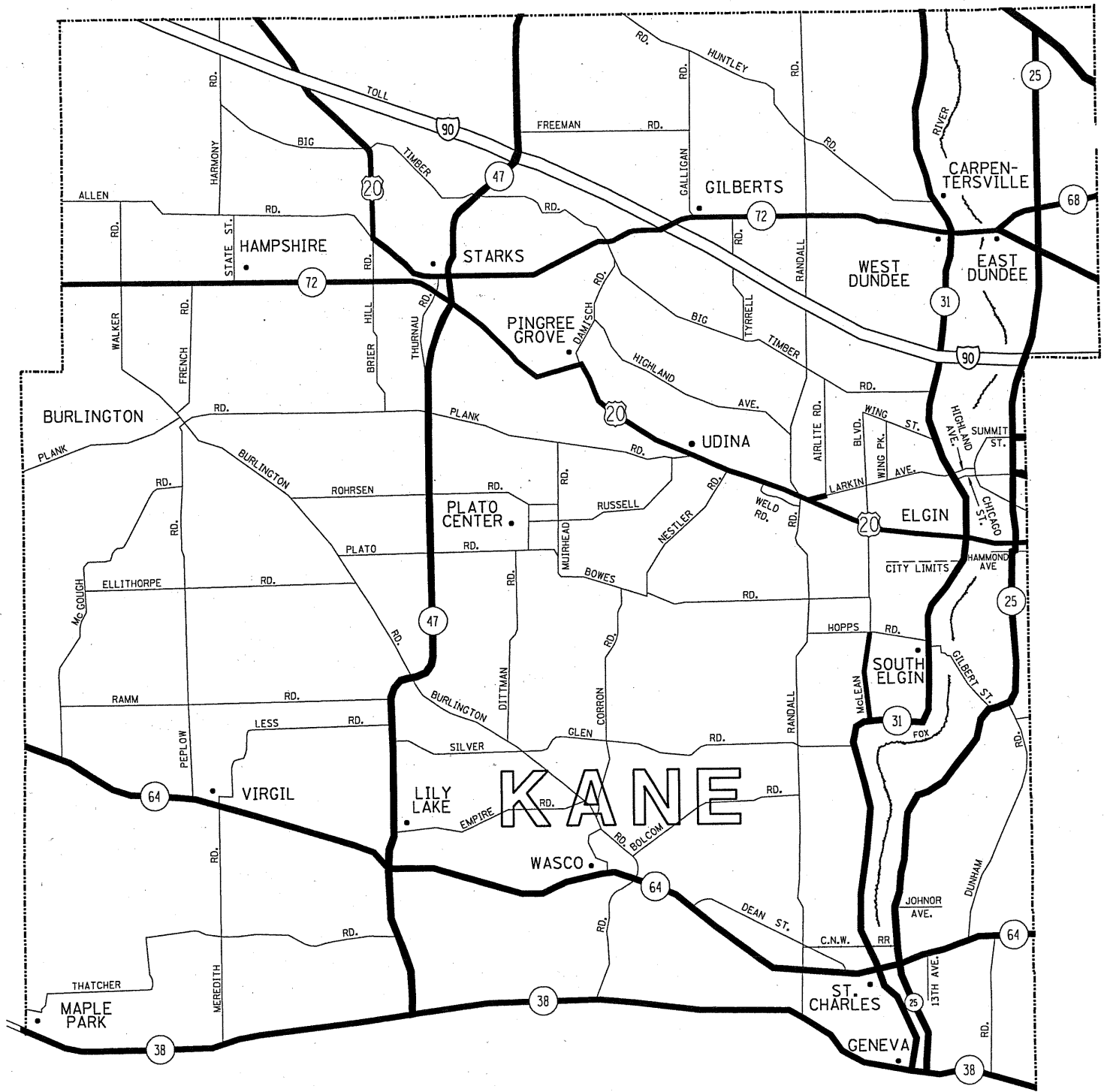
F.A. RTE.	SECTION	COUNTY	TOTAL SHEETS	SHEET NO.
VAR	2010-059-1	VARIOUS	14	4
CONTRACT NO. 60L37				
FED. ROAD DIST. NO. ILLINOIS FED. AID PROJECT				




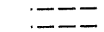
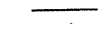
DISTRICT NO. 1

- STATE HIGHWAYS & EXPRESSWAYS WITHIN STATE JURISDICTION. (EXCEPT TOLLWAYS) AND CITY MAINTENANCE AGREEMENTS UNDER STATE JURISDICTION
- FUTURE HIGHWAYS
- VARIOUS AGENCIES HIGHWAYS

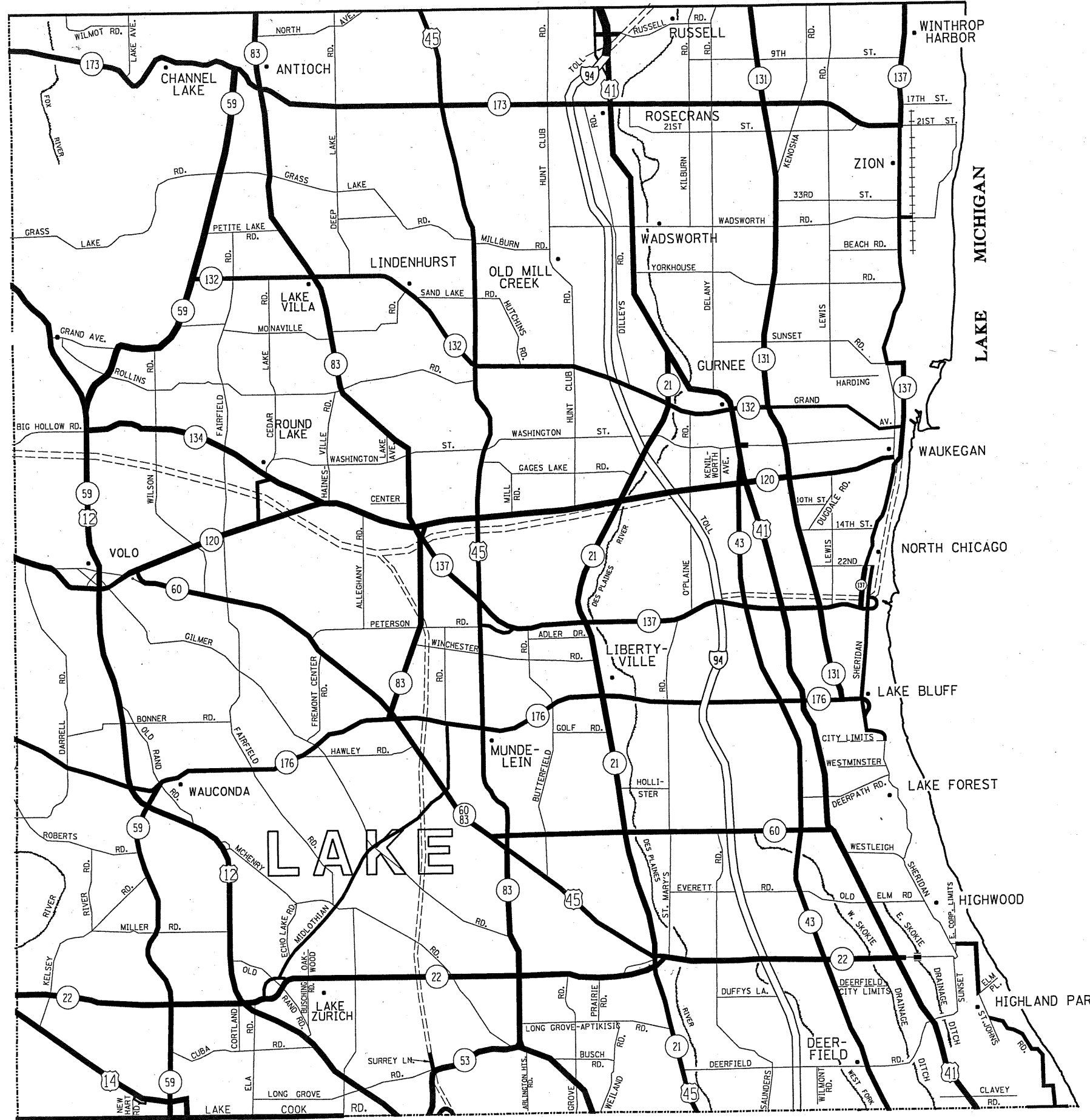
FILE NAME = c:\pw\work\p\midot\midyje\0213131\Design.dgn	USER NAME = midyje	DESIGNED -	REVISED -	STATE OF ILLINOIS DEPARTMENT OF TRANSPORTATION	FENCE REPAIR LOCATION MAP - DuPAGE COUNTY NORTH OF AND INCLUDING IL ROUTE 38	F.A. RTE. VAR	SECTION 2010-059-1	COUNTY VARIOUS	TOTAL SHEETS 14	SHEET NO. 5		
PLOT SCALE = 100,000' / IN.		CHECKED -	REVISED -			SCALE:	SHEET NO. OF SHEETS	STA. TO STA.	FED. ROAD DIST. NO. ILLINOIS FED. AID PROJECT			
PLOT DATE = 8/4/2010		DATE -	REVISED -			CONTRACT NO. 60L37						



DISTRICT NO. 1

 STATE HIGHWAYS & EXPRESSWAYS WITHIN STATE JURISDICTION. (EXCEPT TOLLWAYS) AND CITY MAINTENANCE AGREEMENTS UNDER STATE JURISDICTION
 FUTURE HIGHWAYS
 VARIOUS AGENCIES HIGHWAYS

FILE NAME = c:\p\work\p\dot\midyja\d0213131\Design.dgn	USER NAME = midyja	DESIGNED -	REVISED -	STATE OF ILLINOIS DEPARTMENT OF TRANSPORTATION	FENCE REPAIR LOCATION MAP - KANE COUNTY NORTH OF AND INCLUDING IL ROUTE 38				F.A. RTE.	SECTION	COUNTY	TOTAL SHEETS	SHEET NO.
	PLOT SCALE = 100,000' / IN.	DRAWN -	REVISED -						VAR	2010-059-1	VARIOUS	14	6
PLOT DATE = 8/4/2010	CHECKED -	REVISED -	SCALE: SHEET NO. OF SHEETS STA. TO STA.					CONTRACT NO. 60L37					
	DATE -	REVISED -	FED. ROAD DIST. NO. ILLINOIS FED. AID PROJECT										



DISTRICT NO. 1

STATE HIGHWAYS & EXPRESSWAYS
 WITHIN STATE JURISDICTION.
 (EXCEPT TOLLWAYS) AND
 CITY MAINTENANCE AGREEMENTS
 UNDER STATE JURISDICTION

FUTURE HIGHWAYS

VARIOUS AGENCIES HIGHWAYS

FILE NAME =	USER NAME = midyja	DESIGNED -	REVISED -
ct:\pwork\pwork\midyja\d0213131\Design.dgn		DRAWN -	REVISED -
		CHECKED -	REVISED -
		DATE -	REVISED -

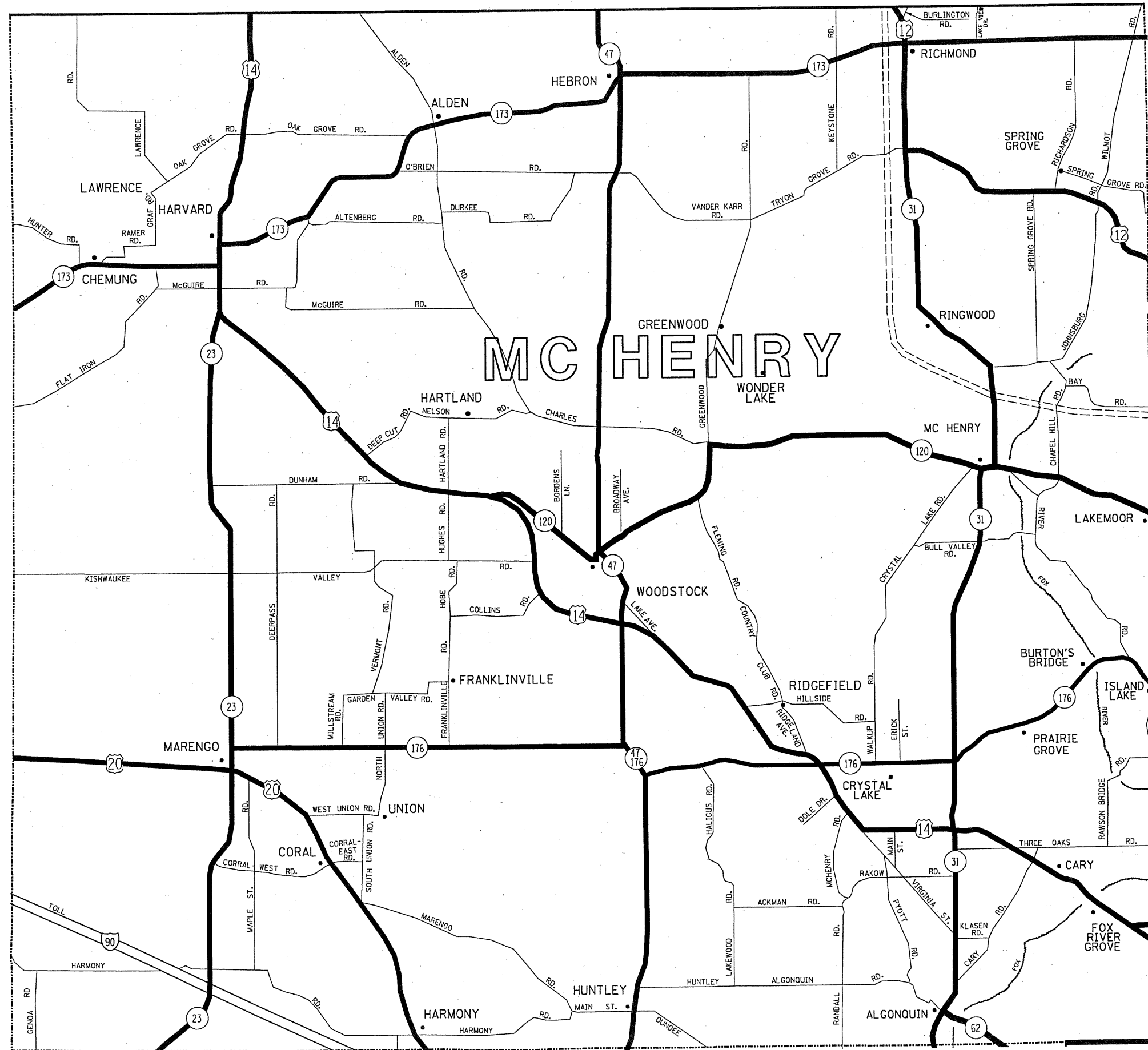
PLOT SCALE = 100.000' / IN.	DATE -
PLOT DATE = 8/4/2010	

STATE OF ILLINOIS
DEPARTMENT OF TRANSPORTATION

FENCE REPAIR LOCATION MAP - LAKE COUNTY

SCALE: SHEET NO. OF SHEETS STA. TO STA.

F.A. RTE.	SECTION	COUNTY	TOTAL SHEETS	SHEET NO.
VAR	2010-059-1	VARIOUS	14	7
CONTRACT NO. 60L37				
FED. ROAD DIST. NO. [ILLINOIS] FED. AID PROJECT				



DISTRICT NO. 1

- STATE HIGHWAYS & EXPRESSWAYS WITHIN STATE JURISDICTION. (EXCEPT TOLLWAYS) AND CITY MAINTENANCE AGREEMENTS UNDER STATE JURISDICTION**
- FUTURE HIGHWAYS**
- VARIOUS AGENCIES HIGHWAYS**

FILE NAME =	USER NAME = midyjo	DESIGNED -	REVISED -
as:\pwork\pwork\midyjo\0213131\Design.dgn		DRAWN -	REVISED -
		CHECKED -	REVISED -
		DATE -	REVISED -

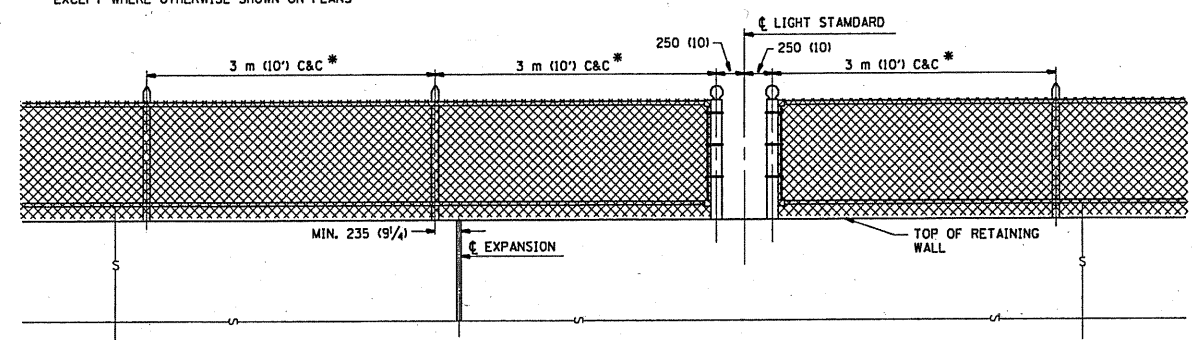
**STATE OF ILLINOIS
DEPARTMENT OF TRANSPORTATION**

FENCE REPAIR LOCATION MAP - McHENRY COUNTY

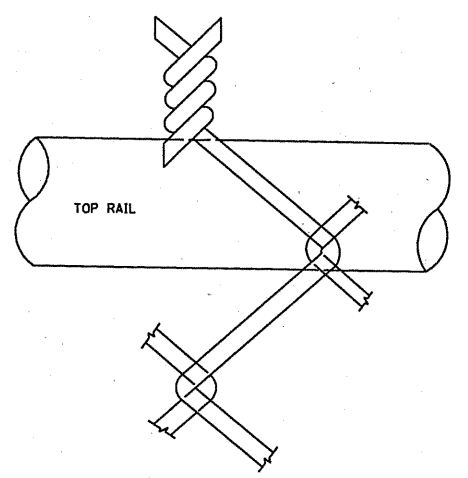
SCALE: SHEET NO. OF SHEETS STA. TO STA.

F.A. RTE.	SECTION	COUNTY	TOTAL SHEETS	SHEET NO.
VAR	2010-059-1	VARIOUS	14	8
CONTRACT NO. 60L37				
FED. ROAD DIST. NO.	ILLINOIS FED. AID PROJECT			

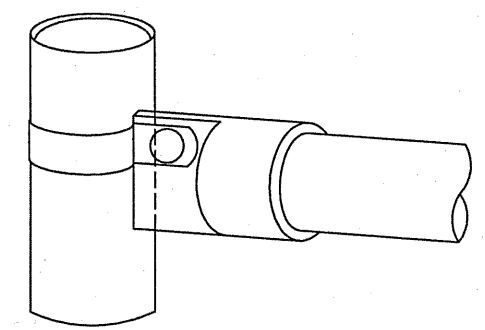
NOTE
 * MAXIMUM POST SPACING SHALL BE 3 m (10') C&C EXCEPT WHERE OTHERWISE SHOWN ON PLANS



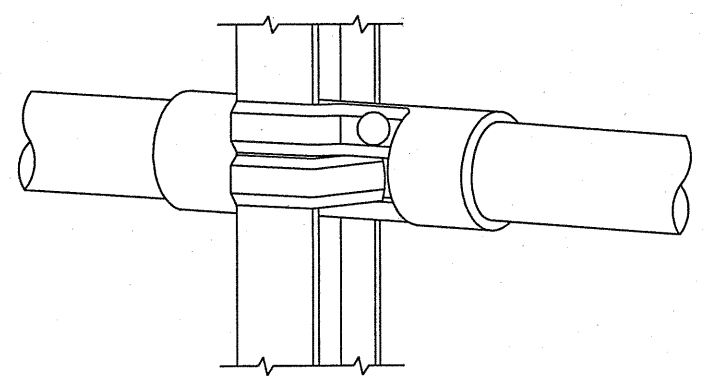
ELEVATION VIEW OF RETAINING WALL WITH PEDESTRIAN BARRIER TYPE III



WIRE MESH FABRIC TO BE BARBED AT THE TOP

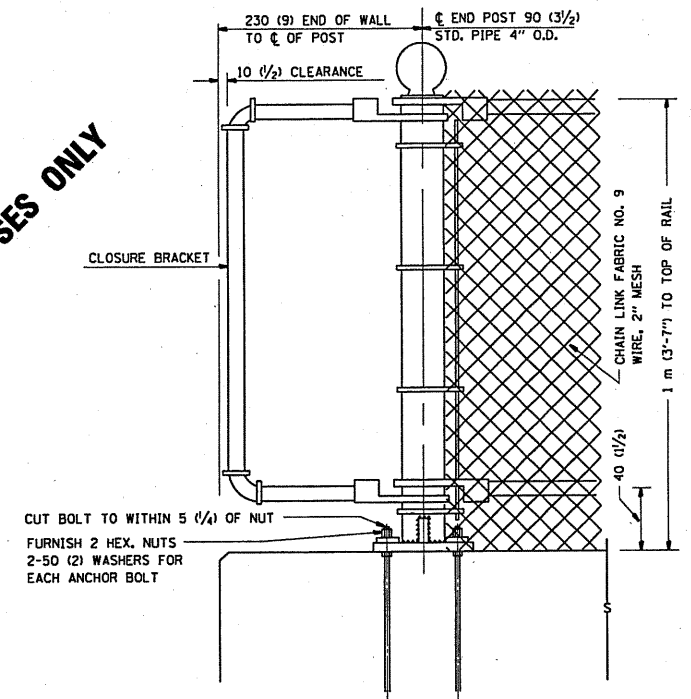


RAIL FITTING AT END POSTS



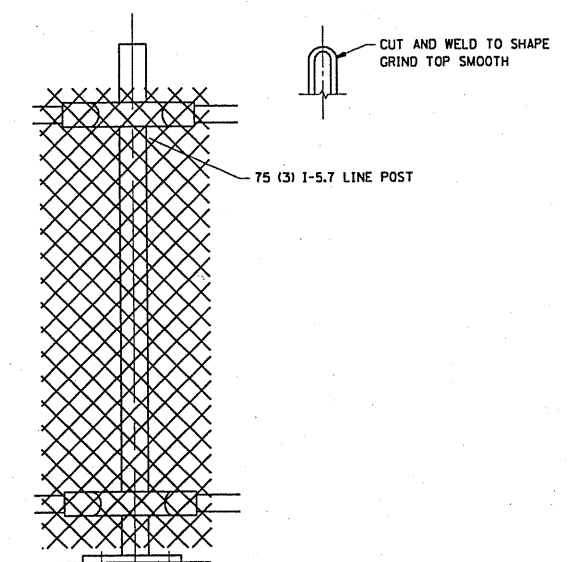
RAIL FITTING ON SECTION LINE POST

FOR INFORMATIONAL PURPOSES ONLY

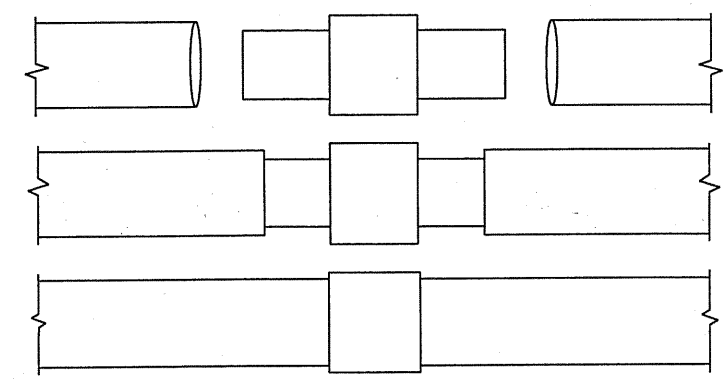


END POST

NOTE:
 THE COST OF FURNISHING ANCHOR BOLTS, NUTS, & WASHERS TO BE INCIDENTAL



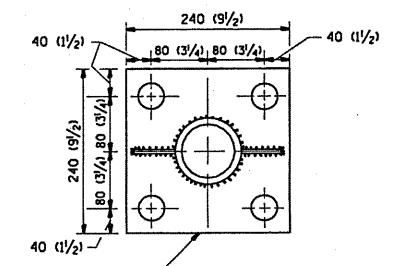
LINE POST



EXPANSION COUPLING DETAIL

NOTE:
 EXP. COUPLING TO APPEAR IN TOP AND BOTTOM RAILS WHERE EVER EXP. JT. APPEARS IN STRUCTURE.

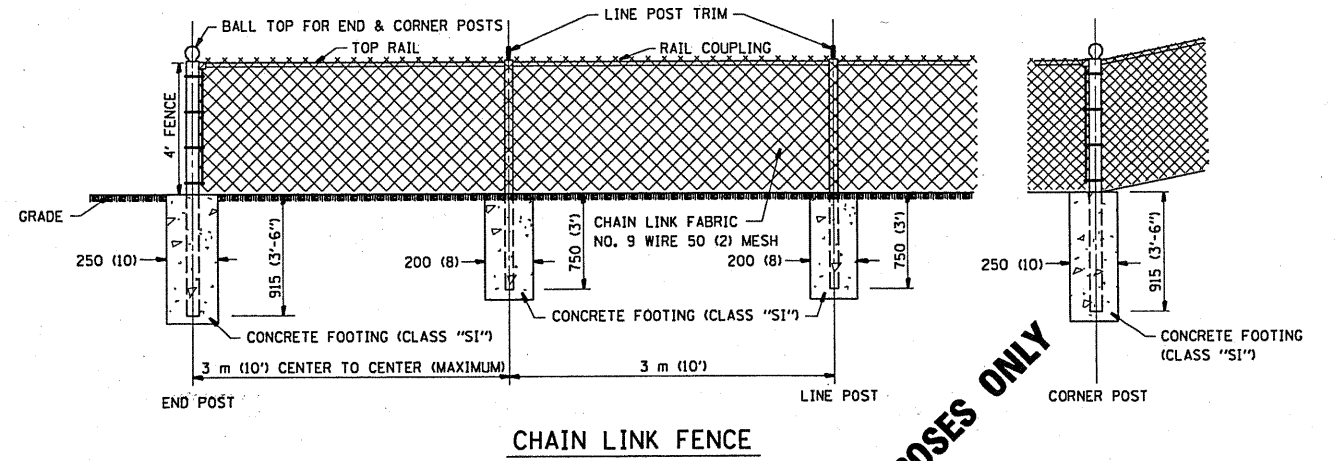
ALL DIMENSIONS ARE IN MILLIMETERS (INCHES) UNLESS OTHERWISE SHOWN.



ANCHOR PLATE DETAILS

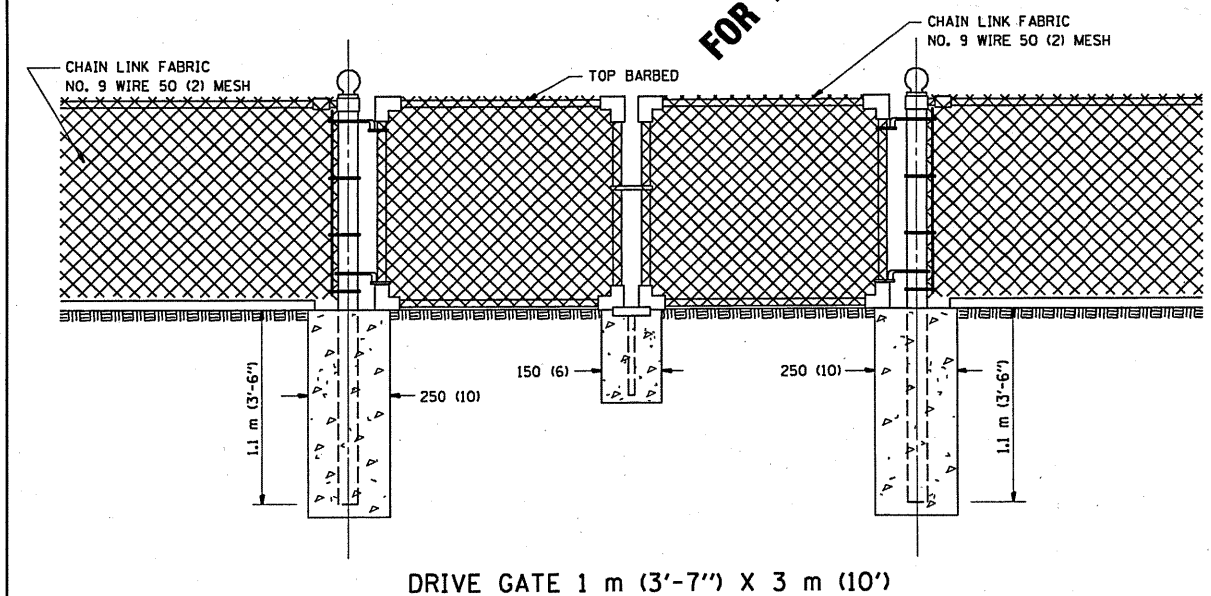
NOTE:
 POST, PLATE AND GUSSET ASSEMBLY SHALL BE GALVANIZED AFTER ALL CUTTING, DRILLING, WELDING, AND FABRICATION HAVE BEEN COMPLETED. THE GALVANIZED COATING SHALL CONFORM TO THE REQUIREMENTS OF AASHTO M 120. THE GALVANIZED COATING SHALL NOT BE LESS THAN 610 G/SQ M (2.0 OZ./SQ. FT.) OF SURFACE.

FILE NAME =	USER NAME = midy.je	DESIGNED -	REVISED -	STATE OF ILLINOIS DEPARTMENT OF TRANSPORTATION	PEDESTRIAN BARRIER TYPE III STD. 10-SS-514 R	F.A. RTE.	SECTION	COUNTY	TOTAL SHEETS	SHEET NO.
ar\pwork\pwork\midy.je\0213131\Design.dgn		DRAWN -	REVISED -			VAR.	2010-059-1	VARIOUS	14	9
PLOT SCALE = 100,000 / IN.		CHECKED -	REVISED -			CONTRACT NO. 60L37				
PLOT DATE = 8/4/2010		DATE -	REVISED -			SCALE:	SHEET NO. OF SHEETS	STA. TO STA.	FED. ROAD DIST. NO. - ILLINOIS FED. AID PROJECT	

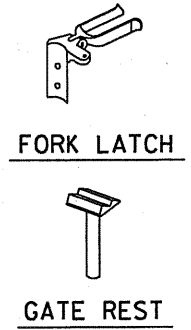


CHAIN LINK FENCE

FOR INFORMATIONAL PURPOSES ONLY



DRIVE GATE 1 m (3'-7") X 3 m (10')



ALL DIMENSIONS ARE IN MILLIMETERS (INCHES) UNLESS OTHERWISE SHOWN.

NOTE:
 THE CHAIN LINK FENCE AS SHOWN HEREIN SHALL BE CONSTRUCTED AT SUCH LOCATIONS AS SHOWN ON PLANS AND IN ACCORDANCE WITH THE SPECIAL PROVISIONS

 THE ENGINEER SHALL ESTABLISH ALL NECESSARY LINE AND GRADE PRIOR TO THE ERECTION OF THE FENCE IN CONFORMANCE WITH THE PLANS

FILE NAME =	USER NAME = midyja	DESIGNED -	REVISED -
ct:\pw_work\pwidot\midyja\d8213131\Design.dgn		DRAWN -	REVISED -
PLOT SCALE = 100.000' / IN.		CHECKED -	REVISED -
PLOT DATE = 8/4/2010		DATE -	REVISED -

STATE OF ILLINOIS
 DEPARTMENT OF TRANSPORTATION

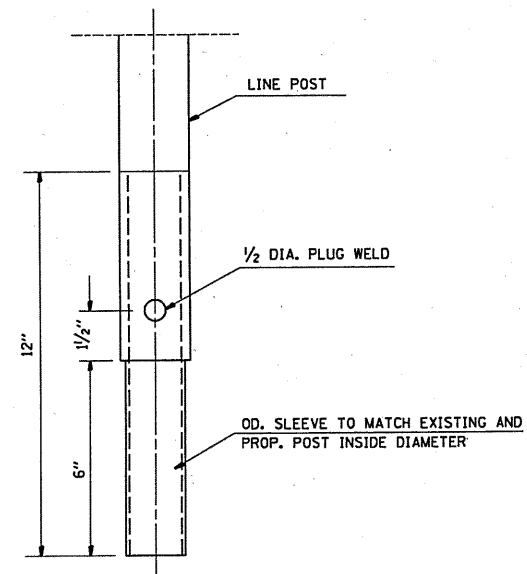
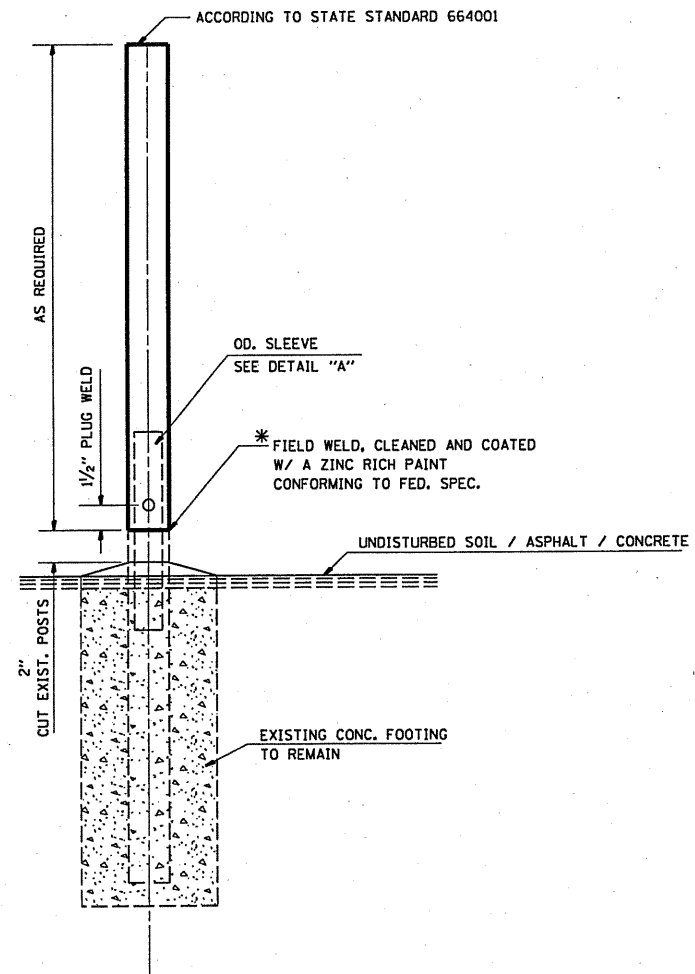
CHAIN LINK FENCE
 STD. 10-SS-506 B

SCALE:	SHEET NO.	OF	SHEETS	STA.	TO	STA.	F.A. RTE.	SECTION	COUNTY	TOTAL SHEETS	SHEET NO.
							VAR	2010-059-1	VARIOUS	14	10
							CONTRACT NO. 60L37				
							FED. ROAD DIST. NO. ILLINOIS FED. AID PROJECT				

GENERAL NOTES:

THIS WORK CONSISTS OF FURNISHING ALL LABOR, MATERIALS, TOOLS AND EQUIPMENT TO REPAIR CHAIN LINK FENCE POST SLEEVE AS SHOWN ON THE PLANS OR AS DIRECTED BY THE ENGINEER, AND IN ACCORDANCE WITH STATE STANDARD 664001.

BASIS OF PAVEMENT: THIS WORK SHALL BE PAID FOR AT THE CONTRACT UNIT PRICE EACH FOR "CHAIN LINK FENCE POST SLEEVE REPAIR" WHICH PRICE SHALL BE PAYMENT IN FULL TO COMPLETE THE WORK AS SPECIFIED HEREIN.



SLEEVE DET. DWG
DETAIL "A"
SLEEVE DETAIL

* THIS WORK SHALL BE INCLUDED IN THE COST OF THE PAY ITEM "CHAIN LINK FENCE POST SLEEVE REPAIR"

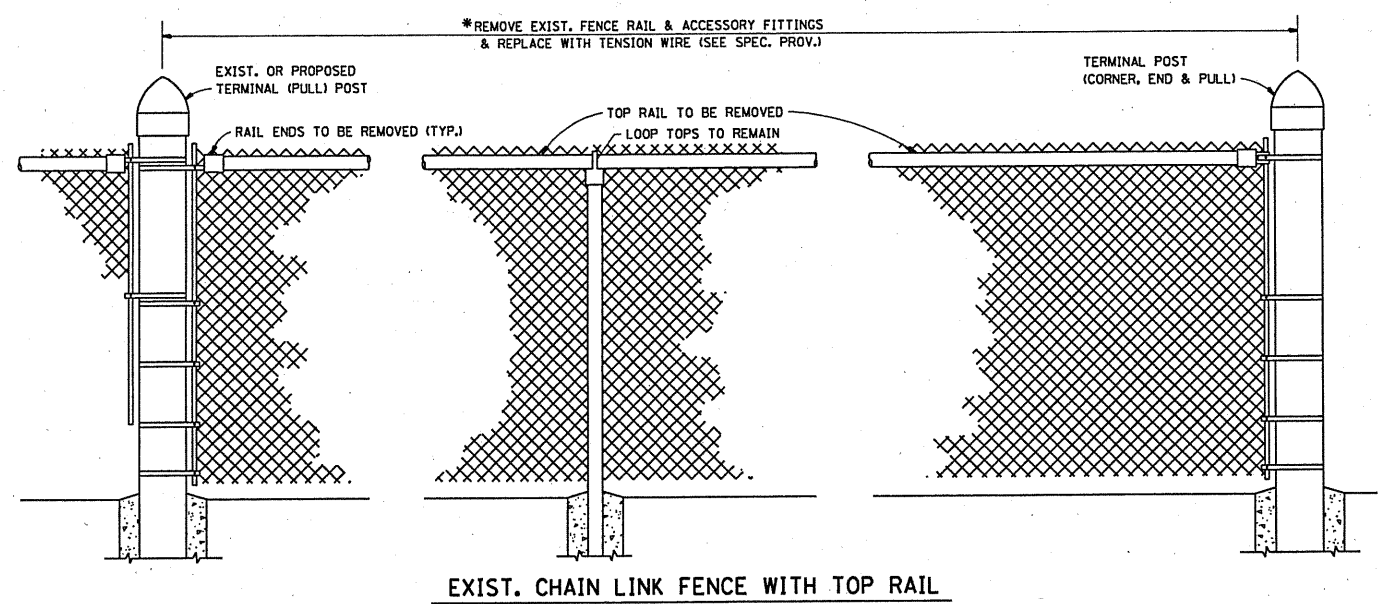
FILE NAME =	USER NAME = midyjo	DESIGNED -	REVISED -
cr\pw_work\pwin\dot\midyjo\0213131\Design.dgn		DRAWN -	REVISED -
PLOT SCALE = 100.000' / IN.		CHECKED -	REVISED -
PLOT DATE = 8/4/2010		DATE -	REVISED -

STATE OF ILLINOIS
DEPARTMENT OF TRANSPORTATION

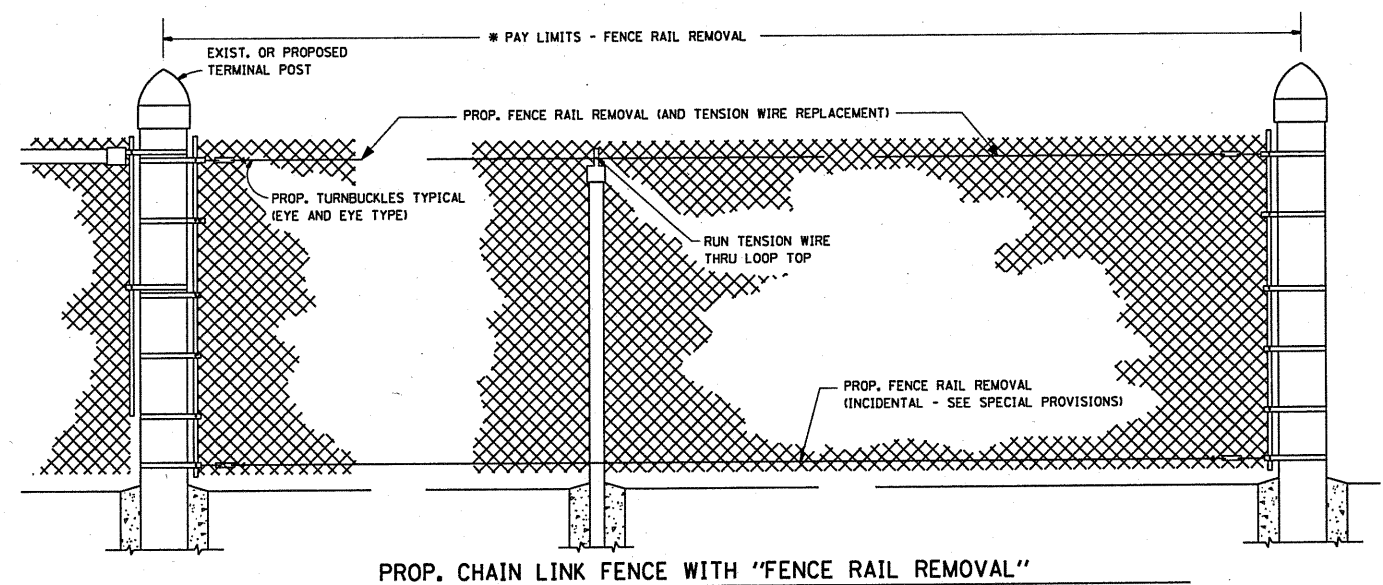
CHAIN LINK FENCE POST SLEEVE REPAIR DETAIL

SCALE: SHEET NO. OF SHEETS STA. TO STA.

F.A. RTE.	SECTION	COUNTY	TOTAL SHEETS	SHEET NO.
VAR	2010-059-1	VARIOUS	14	11
CONTRACT NO. 60L37				
FED. ROAD DIST. NO. ILLINOIS FED. AID PROJECT				



EXIST. CHAIN LINK FENCE WITH TOP RAIL



PROP. CHAIN LINK FENCE WITH "FENCE RAIL REMOVAL"

* THE ENGINEER IN CHARGE SHALL DETERMINE THE LENGTH OF FENCE RAIL TO BE REMOVED & REPLACED WITH "TENSION WIRE"

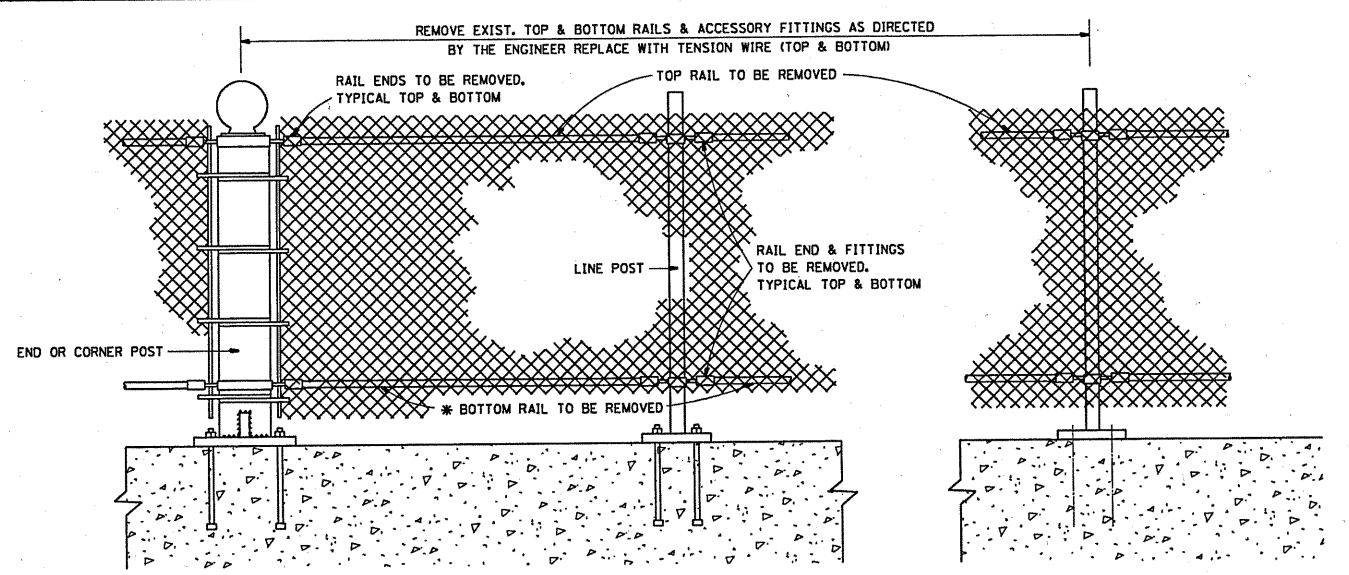
GENERAL NOTES

FENCE RAIL REMOVAL - THIS ITEM CONSISTS OF REMOVING EXISTING TOP OR BOTTOM RAIL, (DAMAGED OR UNDAMAGED) AND REPLACING WITH TENSION WIRE. BOTTOM TENSION WIRE SHALL BE CONSIDERED INCIDENTAL EXCEPT AT LOCATIONS OF EXISTING BOTTOM RAIL REMOVAL.

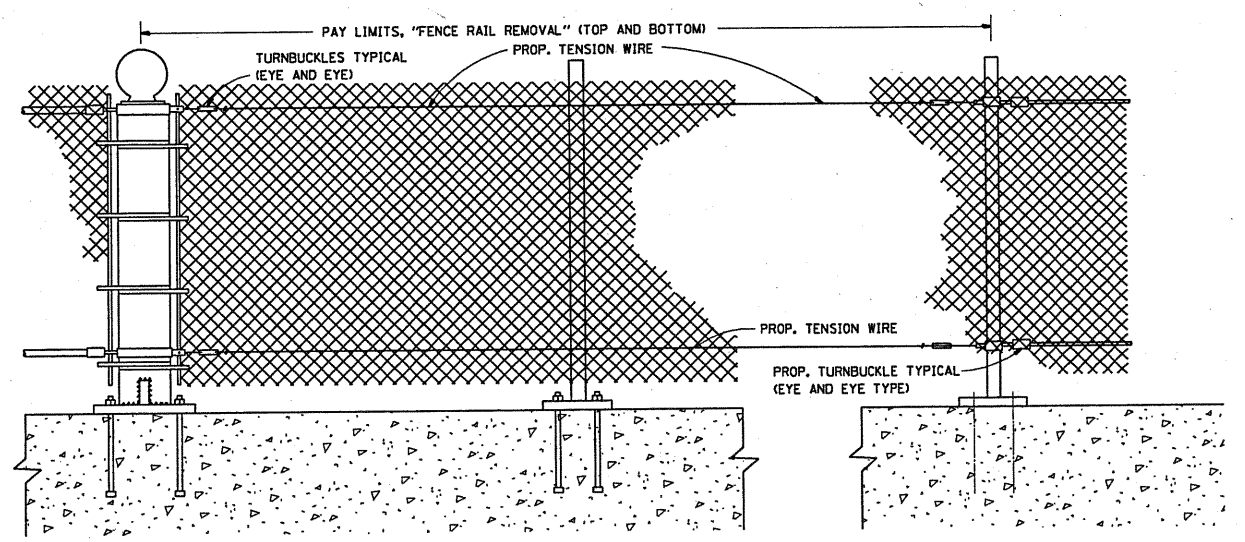
TENSION WIRE - THIS ITEM CONSISTS OF INSTALLING TENSION WIRE, TOP OR BOTTOM, WHERE TOP OR BOTTOM RAIL IS NON-EXISTENT, OR WHERE EXISTING DAMAGED TENSION WIRE IS REMOVED AND REPLACED BY NEW TENSION WIRE.

ALL WORK AND MATERIALS SHALL BE IN ACCORDANCE WITH THE PLANS, SPECIAL PROVISIONS, STANDARD SPECIFICATIONS AND STANDARD 664001.

REPLACEMENT OF OTHER FENCE COMPONENT PARTS SHALL BE MEASURED AND PAID FOR SEPARATELY AS DESCRIBED IN THE SPECIAL PROVISIONS.



EXIST. PEDESTRIAN BARRIER TYPE 3 WITH TOP AND BOTTOM RAILS



PROP. PEDESTRIAN BARRIER TYPE 3 WITH FENCE RAIL REMOVAL

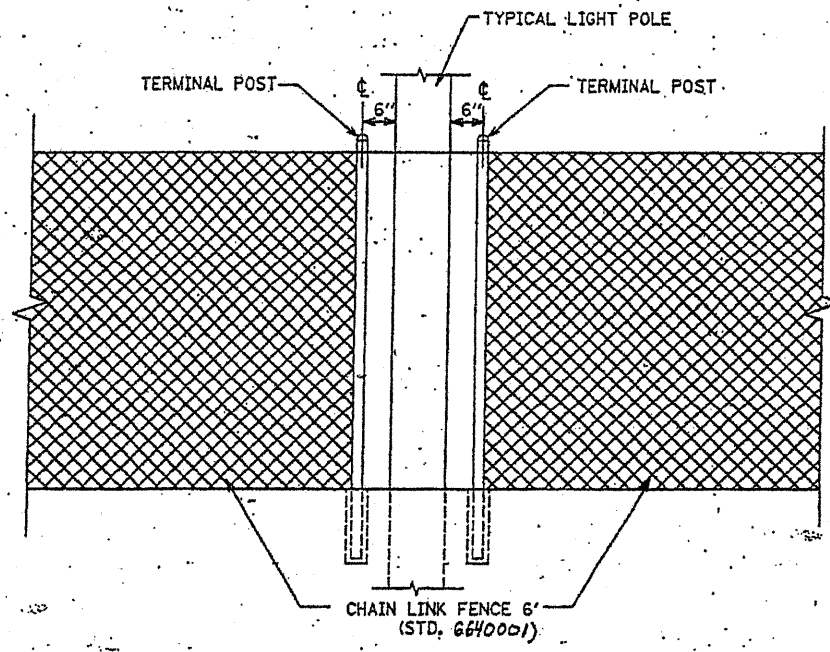
ALL DIMENSIONS ARE IN MILLIMETERS (INCHES) UNLESS OTHERWISE SHOWN.

FILE NAME =	USER NAME = midyje	DESIGNED -	REVISED -
ca\pw_work\pwidot\midyje\0213131\Design.dgn		DRAWN -	REVISED -
	PLOT SCALE = 100.000 * / IN.	CHECKED -	REVISED -
	PLOT DATE = 8/4/2010	DATE -	REVISED -

**STATE OF ILLINOIS
DEPARTMENT OF TRANSPORTATION**

PROPOSED PEDESTRIAN BARRIER AND CHAIN LINK FENCE WITH TENSION WIRE AND FENCE RAIL REMOVAL			
SCALE:	SHEET NO. OF	SHEETS	STA. TO STA.

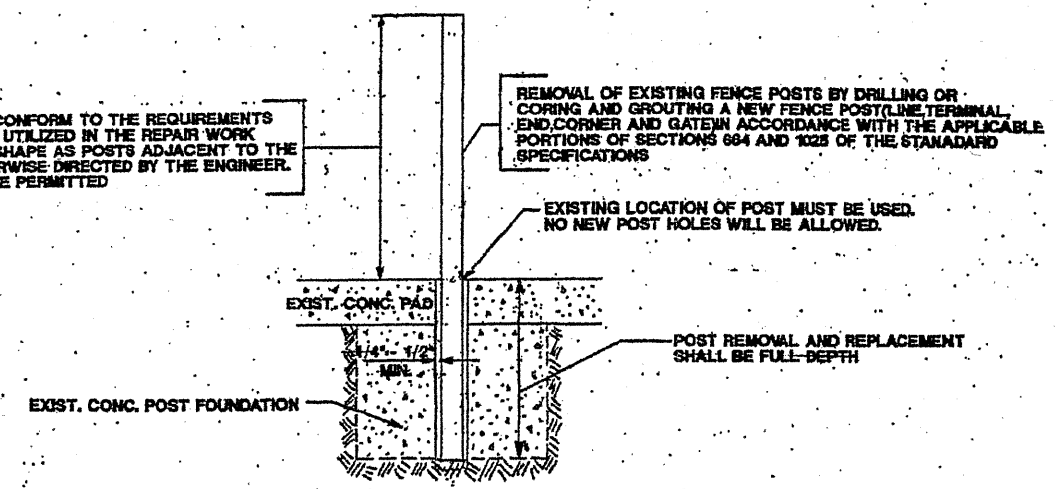
F.A. RTE.	SECTION	COUNTY	TOTAL SHEETS	SHEET NO.
VAR	2010-059-1	VARIOUS	14	12
FED. ROAD DIST. NO. [ILLINOIS] FED. AID PROJECT			CONTRACT NO. 60L37	



FENCE CONFLICT WITH LIGHT POLE

N.T.S.

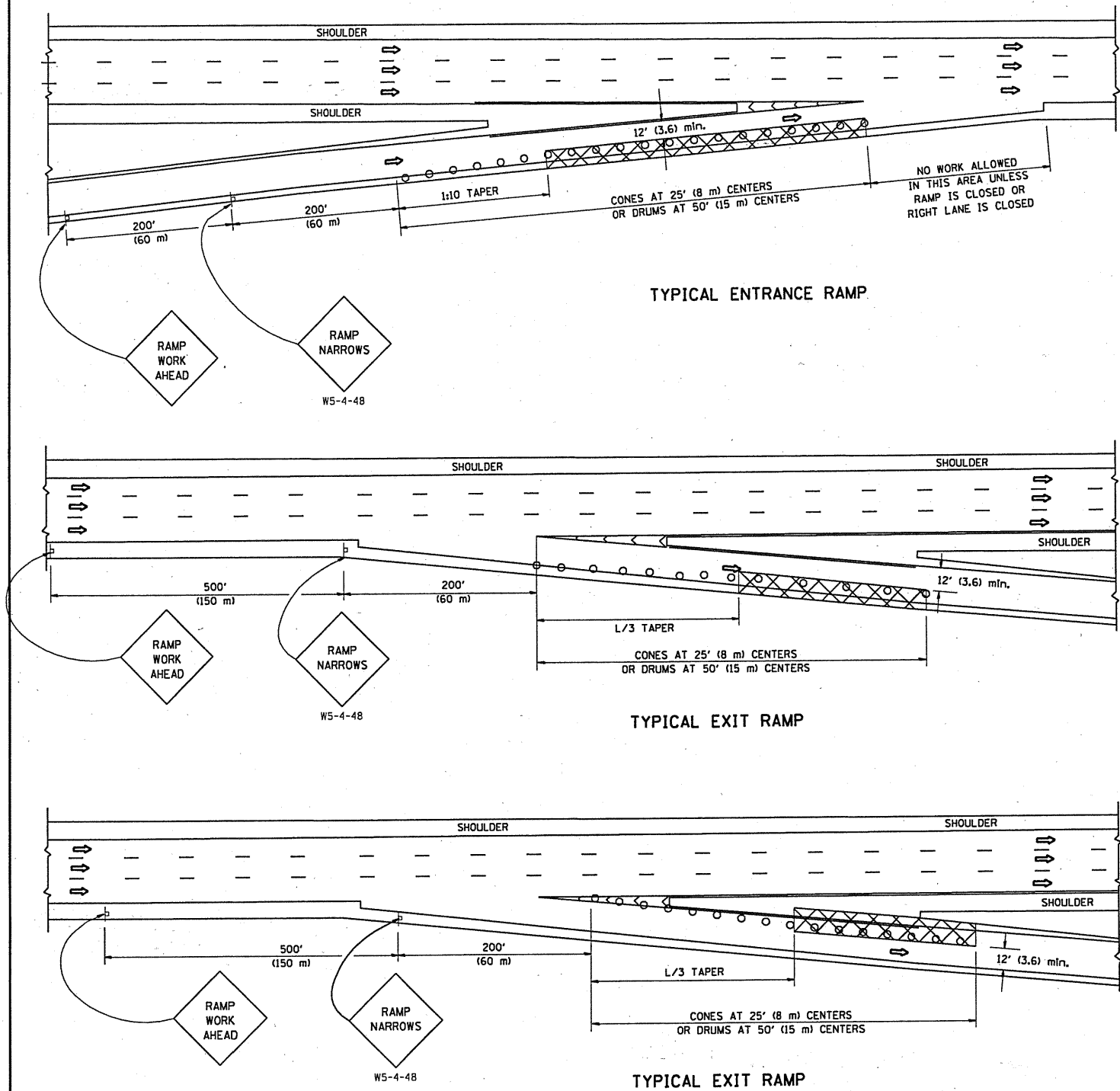
GALVANIZED POSTS SHALL CONFORM TO THE REQUIREMENTS OF STANDARD 864001 POSTS UTILIZED IN THE REPAIR WORK SHALL BE THE SAME TYPE SHAPE AS POSTS ADJACENT TO THE REPAIR AREA UNLESS OTHERWISE DIRECTED BY THE ENGINEER. NO USED MATERIALS WILL BE PERMITTED



POST REMOVAL AND REPLACEMENT

FILE NAME * c:\pwwork\pwwork\midyja\d0213131\Design.dgn	USER NAME = midyja	DESIGNED -	REVISED -	STATE OF ILLINOIS DEPARTMENT OF TRANSPORTATION	SPECIAL DETAILS				F.A. RTE.	SECTION	COUNTY	TOTAL SHEETS	SHEET NO.
	PLOT SCALE = 100.000' / IN.	DRAWN -	REVISED -						VAR	2010-059-1	VARIOUS	14	13
	PLOT DATE = 6/4/2010	CHECKED -	REVISED -		SCALE: SHEET NO. OF SHEETS STA. TO STA.				FED. ROAD DIST. NO. ILLINOIS FED. AID PROJECT				
		DATE -	REVISED -						CONTRACT NO. 60L37				

PARTIAL RAMP CLOSURE DETAILS



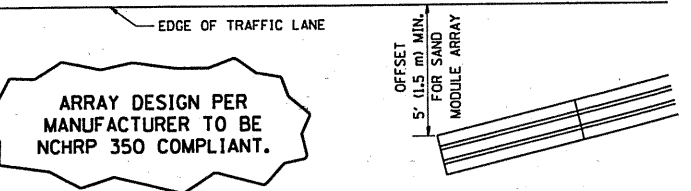
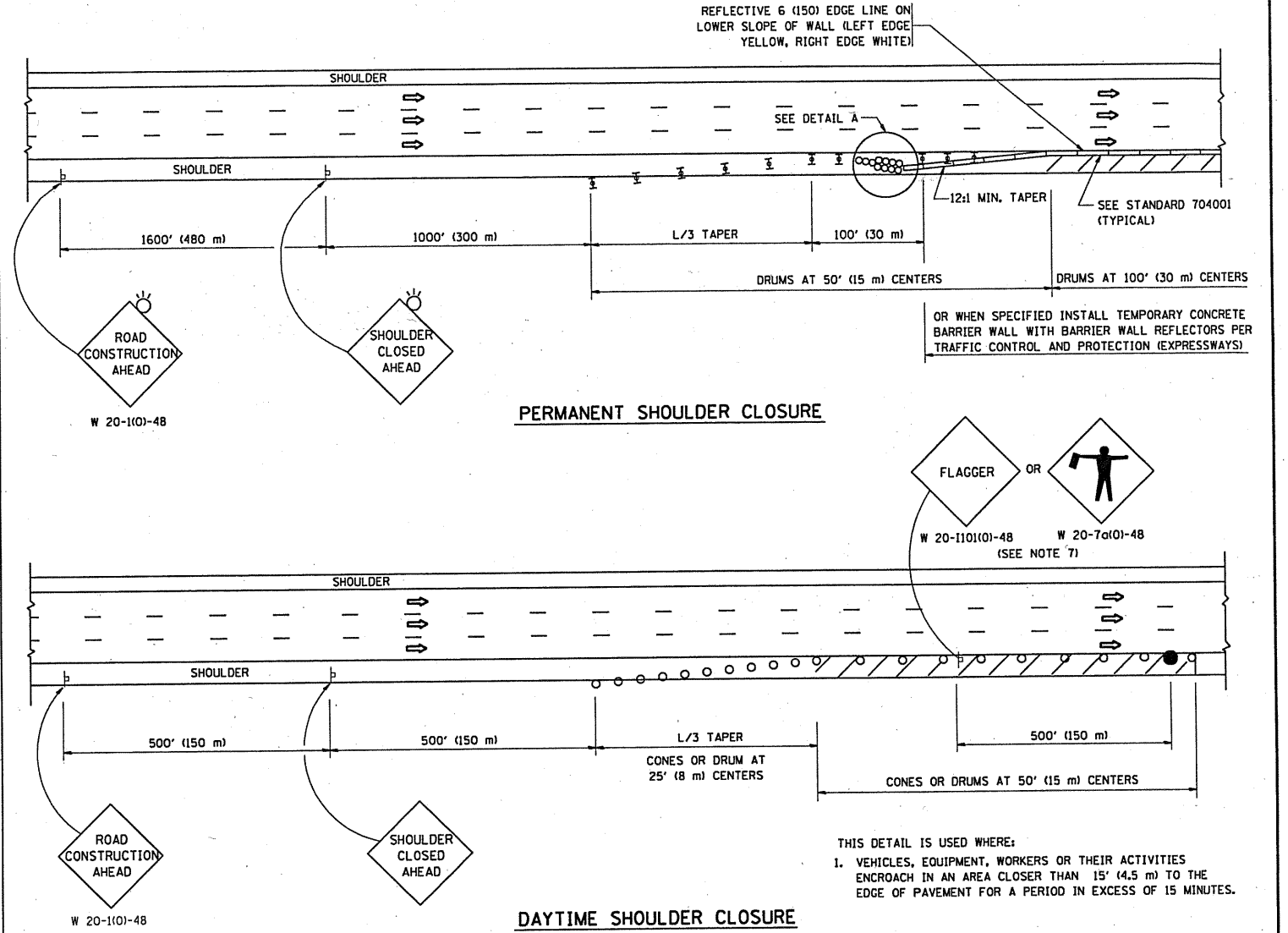
SYMBOLS

- ACTIVE WORK AREA
- SIGN ON PORTABLE OR PERMANENT SUPPORT
- FLAGGER WITH CONTROL SIGN
- TYPE II BARRICADE, DRUM OR VERTICAL BARRICADE WITH STEADY BURN MONO-DIRECTIONAL LIGHT
- CONE, DRUM OR BARRICADE

GENERAL NOTES

1. THE "L" DISTANCE EQUALS:
 SPEED LIMIT FORMULAS
 45 mph (80 km/h) METRIC ENGLISH
 OR GREATER: L=0.65(W/S) L=(W/S)
 W = WIDTH OF OFFSET IN FEET (METERS)
 S = NORMAL POSTED SPEED MPH (KM/H)
2. PLASTIC DRUMS WITH HIGH PERFORMANCE REFLECTIVE SHEETING AND STEADY BURNING LIGHTS ARE REQUIRED FOR ALL NIGHTTIME CLOSURES.
3. ALL SIGNS SHALL BE POST MOUNTED IF THE CLOSURE TIME EXCEEDS FOUR DAYS.
4. FLASHING LIGHTS SHALL BE USED DURING THE HOURS OF DARKNESS AND SHALL BE INSTALLED ABOVE THE FIRST TWO SETS OF SIGNS.

SHOULDER CLOSURE DETAILS



DETAIL "A"
IMPACT ATTENUATOR, TEMPORARY
(SEE NOTE 5)

5. THE IMPACT ATTENUATOR, TEMPORARY IS NOT REQUIRED WHEN THE TEMPORARY CONCRETE BARRIER WALL IS PROTECTED BY OR IS TIED INTO THE EXISTING GUARDRAIL. IF OFFSET IS LESS THAN 5 FEET USE NARROW USE TYPE DEVICE TO MEET NCHRP350.
6. AUTHORIZATION FROM THE DISTRICT'S BUREAU OF TRAFFIC IS REQUIRED FOR ALL FREEWAY CLOSURES.
7. THE FLAGGER AND FLAGGER SIGN ARE REQUIRED AT THE ABOVE WORK SITES WHEN:
 - a. FOUR OR MORE WORK VEHICLES ENTER THE TRAFFIC LANES IN A ONE HOUR PERIOD.
 - b. THE WORK ACTIVITY REQUIRES FREQUENT ENCROACHMENT INTO THE LANE OPEN TO TRAFFIC.
 THE FLAGGER SHALL BE STATIONED APPROXIMATELY 100' (30 m) TO 200' (60 m) IN ADVANCE OF THE WORKERS.

ALL DIMENSIONS ARE IN INCHES (MILLIMETERS) UNLESS OTHERWISE SHOWN.

FILE NAME =	USER NAME = midy.je	DESIGNED -	REVISED - 04-03	STATE OF ILLINOIS DEPARTMENT OF TRANSPORTATION	TRAFFIC CONTROL DETAILS FOR FREEWAY SHOULDER CLOSURES AND PARTIAL RAMP CLOSURES		F.A. RTE.	SECTION	COUNTY	TOTAL SHEETS	SHEET NO.	
estpw...work\pwidth\midy.je\0213131\DistStd.dgn	DRAWN - D.W.S.	REVISED - J.A.F. 12-06	REVISED - S.P.B. 01-07		SCALE: NONE	SHEET NO. 1 OF 1 SHEETS	STA. TO STA.	VAR	2010-059-1	VARIOUS	14	14
PLOT SCALE = 100.0000' / IN.	CHECKED -	REVISED - S.P.B. 12-09						TC-17		CONTRACT NO. 60L37		
PLOT DATE = 8/4/2010	DATE - 11-96							FED. ROAD DIST. NO. 1 ILLINOIS FED. AID PROJECT				