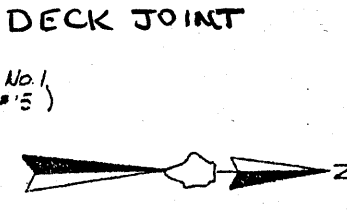
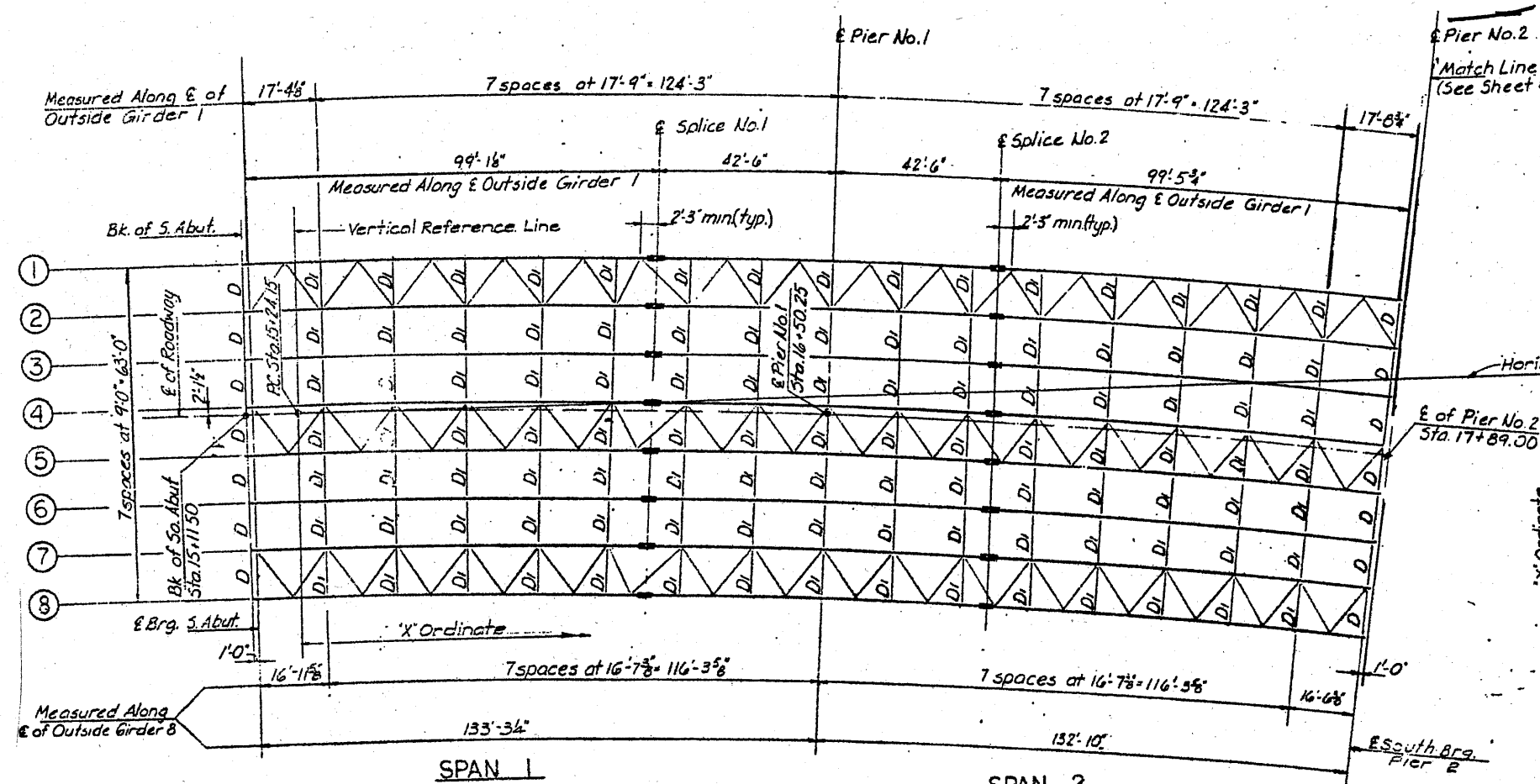


ROUTE	SECTION	COUNTY	TOTAL SHEETS	SHEET NUMBER
VARIOUS	2010-088-BP	COOK AND LAKE	25	14

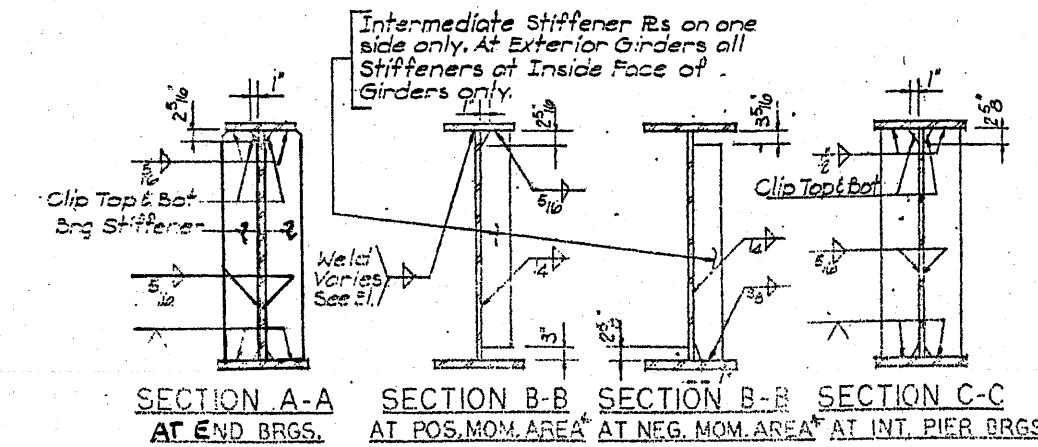
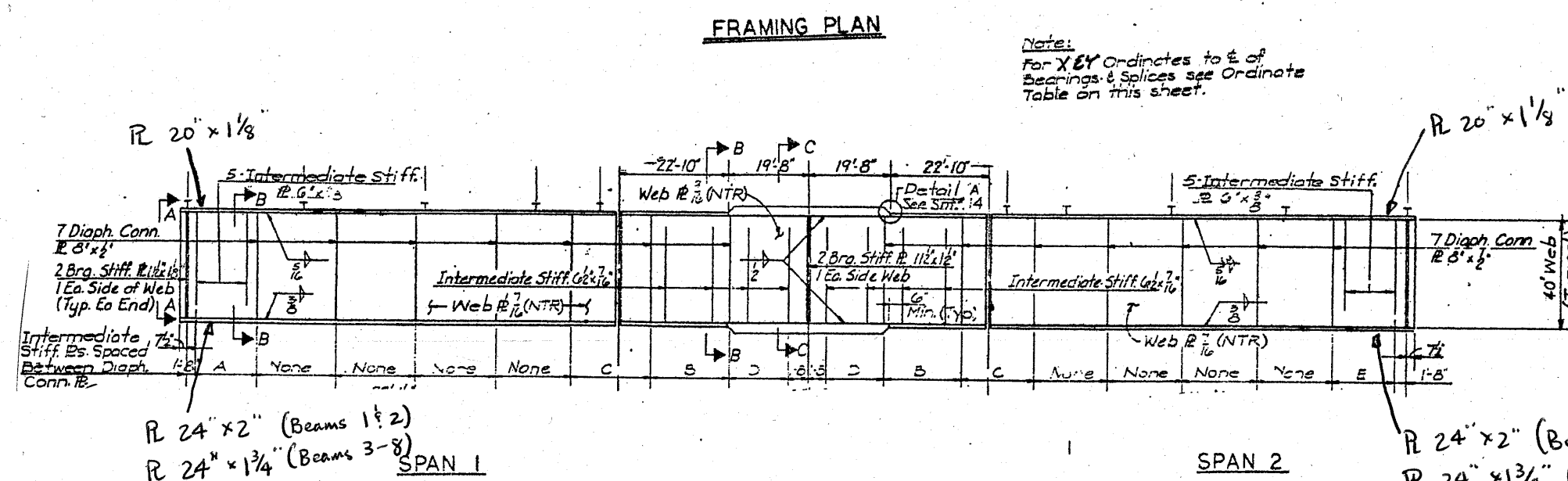
CONTRACT NO. 60L84



FOR INFORMATION ONLY

'X' & 'Y' ORDINATE TABLE

Girder No.	Girder Radius	Splice No. 1		E of Pier No. 1		Splice No. 2		E of S. Brg. Pier No. 2	
		"X"	"Y"	"X"	"Y"	"X"	"Y"	"X"	"Y"
1	984.055	+87.331	+25.242	+29.569	+20.585	+71.565	+14.054	+268.480	-8.208
2	975.055	+86.145	+16.312	+28.384	+11.636	+70.378	+5.124	+266.016	-16.864
3	966.055	+84.959	+7.382	+27.199	-2.714	+69.192	-3.806	+263.552	-25.520
4	957.055	+83.773	-1.549	+26.014	-9.207	+68.006	-12.737	+261.087	-34.176
5	948.055	+82.587	-10.479	+24.829	-15.129	+66.819	-21.667	+258.623	-42.832
6	939.055	+81.401	-19.410	+23.644	-24.051	+65.633	-30.598	+256.159	-51.488
7	930.055	+80.215	-28.341	+22.459	-32.972	+64.446	-39.529	+253.695	-60.144
8	921.055	+79.029	-37.272	+21.274	-41.894	+63.260	-48.460	+251.230	-68.800



Note:

- 4-3/8" Shear Studs Per Row (Typ)
- For Shear Studs Detail See Sht No. 14
- No. Shear Studs Required = 4504
- All distances measured horizontally along E of girder
- For details of Intermediate and Bearing Stiffeners see Sht. No. 14, C see sht. no. 14.
- For other misc details of Girders see sht 14.

ILLINOIS DEPARTMENT OF TRANSPORTATION

EXISTING BRIDGE PLAN

LOCATION 2: SN 016-2504