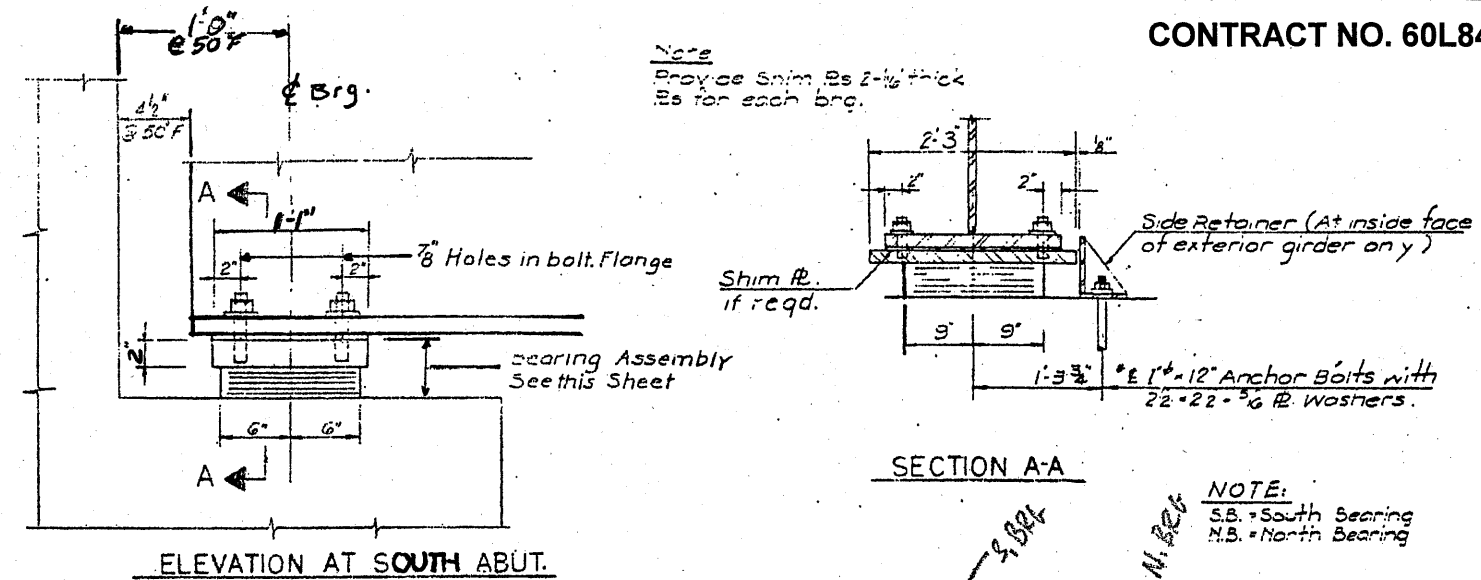
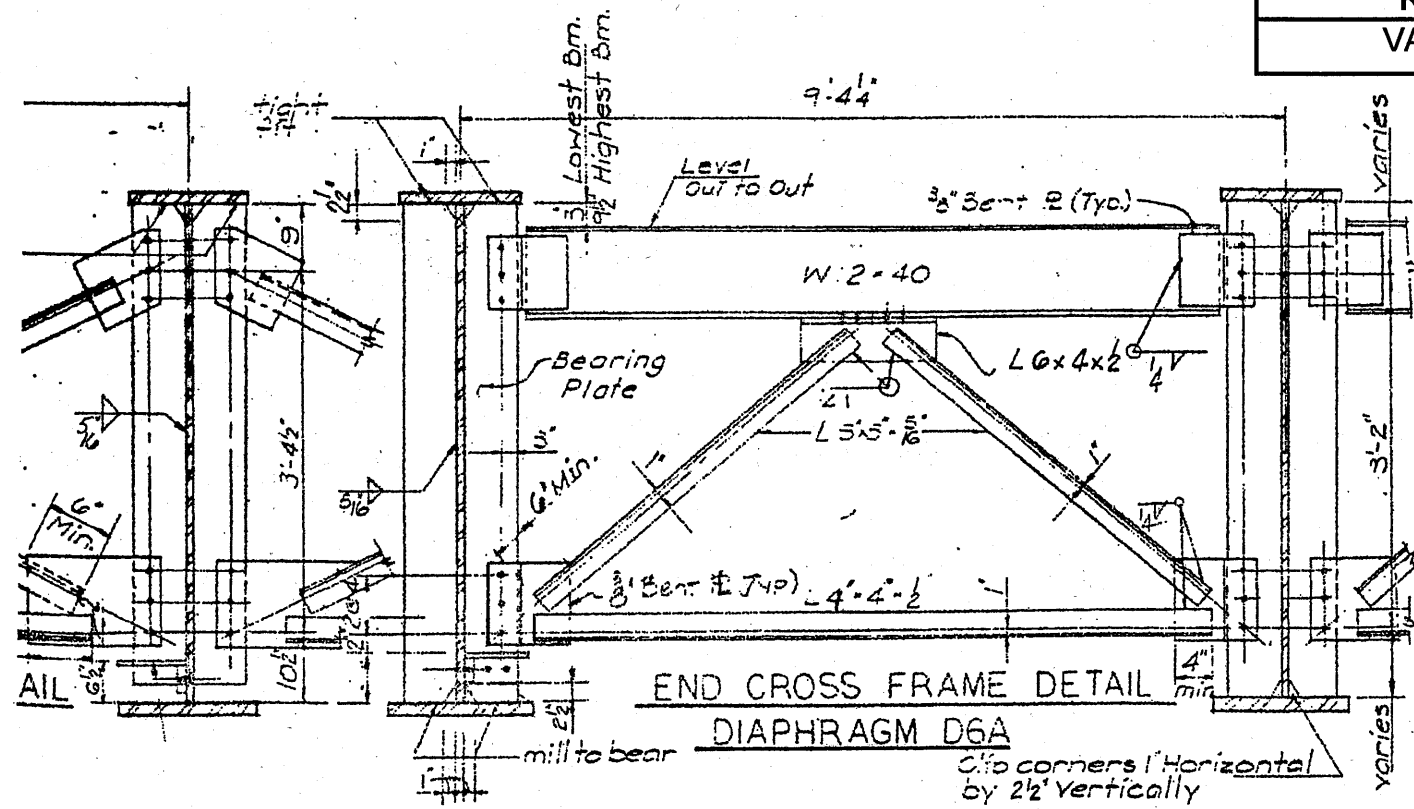
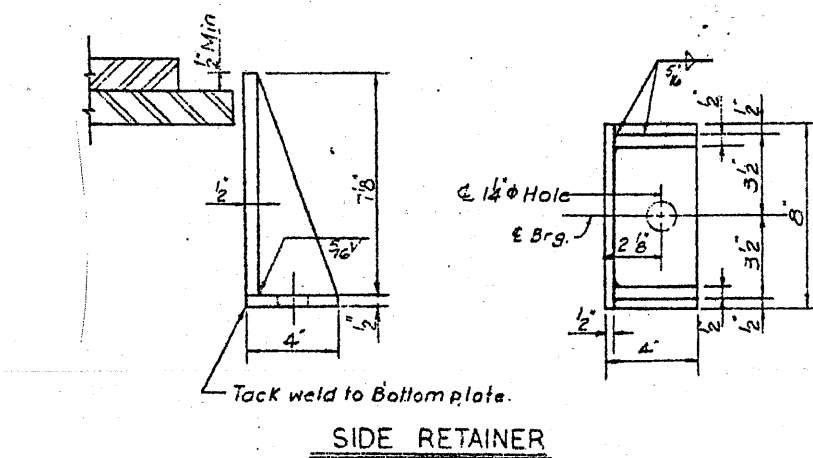
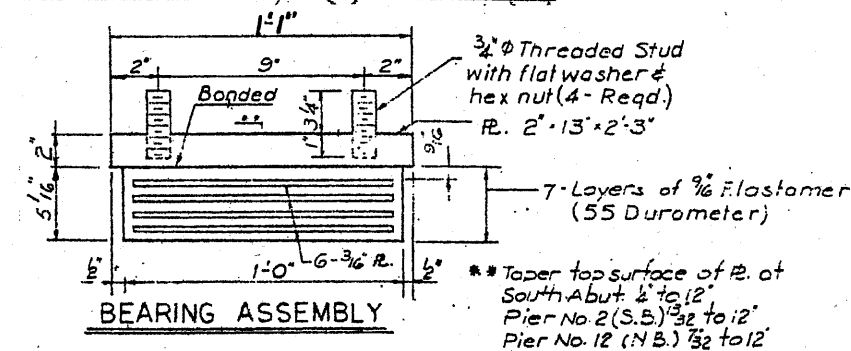


ROUTE	SECTION	COUNTY	TOTAL SHEETS	SHEET NUMBER
VARIOUS	2010-088-BP	COOK AND LAKE	25	22

CONTRACT NO. 60L84

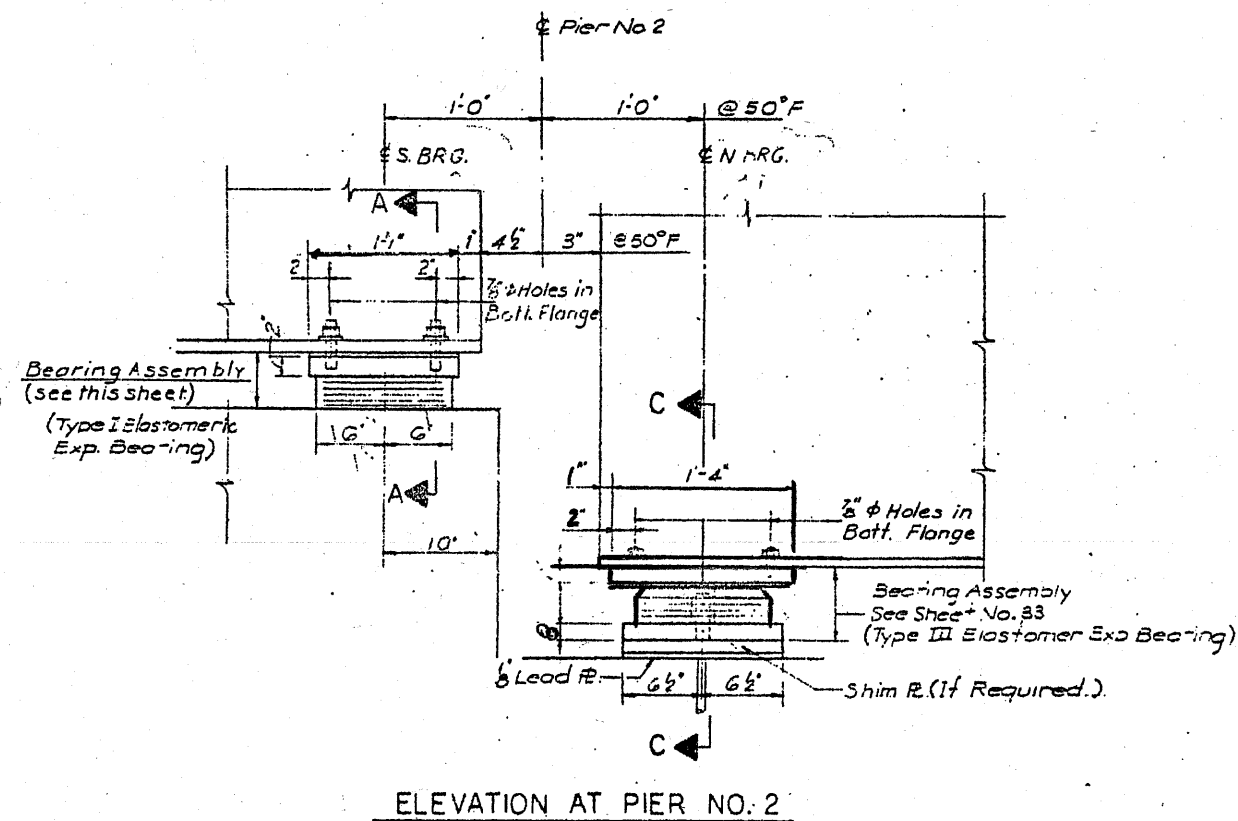


TYPE I ELASTOMERIC EXP. BEARING AT SOUTH ABUT. PIER NO. 2 (S.B.) & PIER NO. 12 (N.B.)

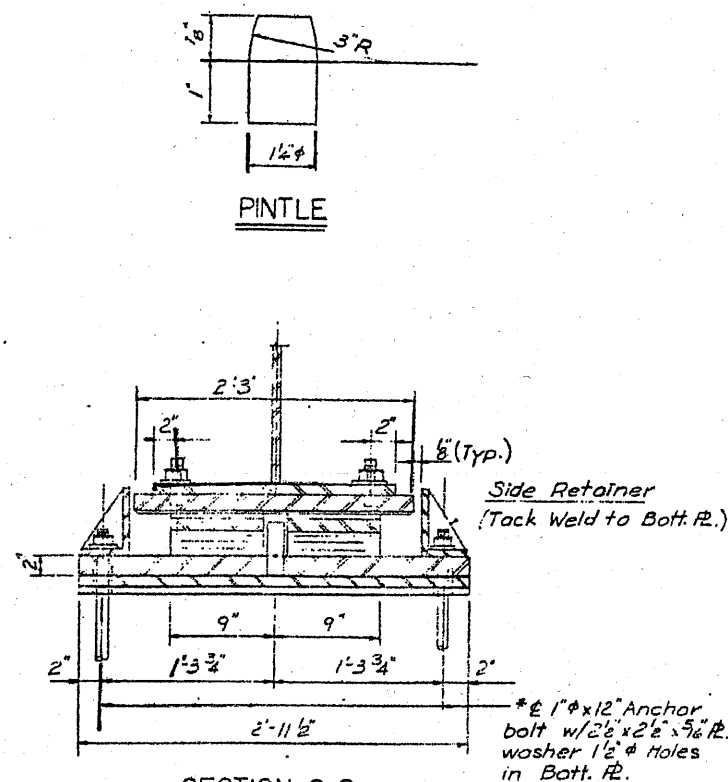


BEARING ASSEMBLY AT S. ABUT. PIER NO. 2 (S.B.) & 12 (N.B.)

FOR INFORMATION ONLY



EXPANSION BEARING AT PIER NO. 2



SECTION C-C

ILLINOIS DEPARTMENT OF TRANSPORTATION

EXISTING BRIDGE PLAN LOCATION 2: SN 016-2504