

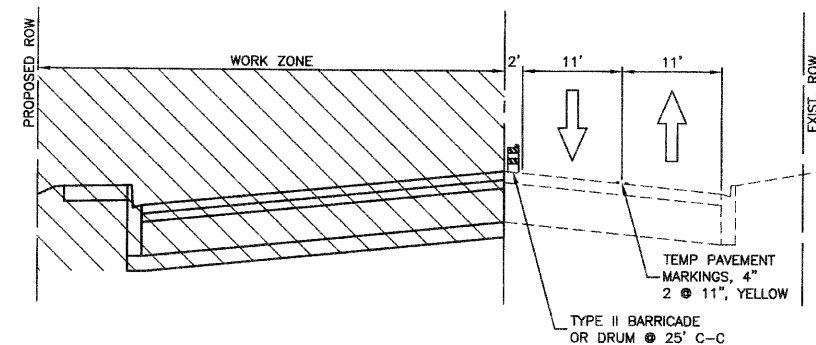
SUGGESTED STAGING

RIVER OAKS DRIVE (FAP 351), EAST AND WEST LEG

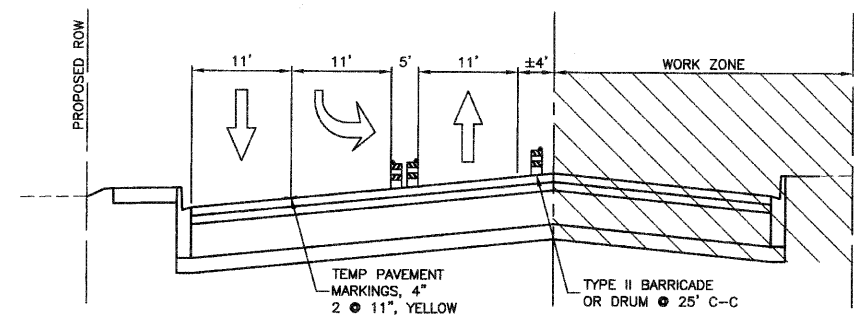
INSTALL TEMPORARY AND NEW TRAFFIC SIGNALS, CONCRETE PATCHING, RIGHT TURN LANE WIDENING AND THE INSTALLATION OF DRAINAGE STRUCTURES AND STORM SEWERS AND ALL INCIDENTAL AND COLLATERAL WORK AS SHOWN IN THE CONTRACT PLANS ACCORDING USING THE APPROPRIATE HIGHWAY STANDARDS.

PAXTON AVENUE, NORTH AND SOUTH LEGS

1. INSTALL THE TEMPORARY TRAFFIC SIGNALS USING THE APPROPRIATE HIGHWAY STANDARDS
2. REMOVE AND REPLACE THE EXISTING CONCRETE MEDIAN WITH A CONCRETE PATCH IN THE CONCRETE PAVEMENT AREAS. THESE PATCHES NEED TO BE MADE FLUSH WITH THE EXISTING SURFACE USING THE APPROPRIATE HIGHWAY STANDARDS.
3. ON THE SOUTH LEG OF PAXTON AVENUE, PERFORM WIDENING ALONG THE EAST AND WEST SIDES, INSTALL AND /OR ADJUST DRAINAGE STRUCTURES AND STORM SEWERS, CURB AND GUTTER AND ALL INCIDENTAL AND COLLATERAL WORK AS SHOWN IN THE CONTRACT PLANS USING THE APPROPRIATE HIGHWAY STANDARDS
4. MAINTAIN ONE NORTHBOUND AND ONE SOUTHBOUND LANE, AS SHOWN IN STAGE I PLANS. RECONSTRUCT THE EXISTING PAVEMENT AS SHOWN IN THE PLANS, INSTALL AND /OR ADJUST DRAINAGE STRUCTURES AND STORM SEWERS, CURB AND GUTTER, SIDEWALK, AND ALL INCIDENTAL AND COLLATERAL WORK AS SHOWN IN THE CONTRACT PLANS USING THE APPROPRIATE HIGHWAY STANDARDS OR DETAILS SHOWN IN THE PLANS.
5. MAINTAIN ONE NORTHBOUND AND ONE SOUTHBOUND LANE AND LEFT TURN LANES ON THE NEWLY CONSTRUCTED WEST SIDE PAVEMENT, AS SHOWN IN STAGE II PLANS. RECONSTRUCT THE EXISTING PAVEMENT AS SHOWN IN THE PLANS, INSTALL AND /OR ADJUST DRAINAGE STRUCTURES AND STORM SEWERS, CURB AND GUTTER, AND ALL INCIDENTAL AND COLLATERAL WORK AS SHOWN IN THE CONTRACT PLANS USING THE APPROPRIATE HIGHWAY STANDARDS OR DETAILS SHOWN IN THE PLANS.
6. PERFORM SURFACE COURSE AND PAVEMENT MARKING OPERATIONS, AND REQUIRED RESTORATION USING THE APPROPRIATE HIGHWAY STANDARDS.



STAGE I TYPICAL SECTION
NORTH LEG PAXTON AVE
LOOKING NORTH



STAGE II TYPICAL SECTION
NORTH LEG PAXTON AVE
LOOKING NORTH

FILE NAME = 0828-TCOIN-01 - NOTE01	USER NAME =	DESIGNED -- RW	REVISED --
		CHECKED -- RW	REVISED --
	PLOT SCALE =	DRAWN -- RG/PS	REVISED --
	PLOT DATE = 01-25-10	CHECKED -- AG	REVISED --

STATE OF ILLINOIS
DEPARTMENT OF TRANSPORTATION

US ROUTE 6 (RIVER OAKS DRIVE) AT PAXTON AVENUE
INTERSECTION IMPROVEMENT
SUGGESTED STAGING AND TRAFFIC CONTROL - NOTES & TYPICAL SECTIONS

F.A.P. RTE.	SECTION	COUNTY	TOTAL SHEETS	SHEET NO.
351	08-00139-00-CH	COOK	044	009
FED. ROAD DIST. NO. 1 ILLINOIS			FED. AID PROJECT HD-M-9003(258)	

SCALE: SHEET NO. 009 OF 044 SHEETS STA. TO STA.