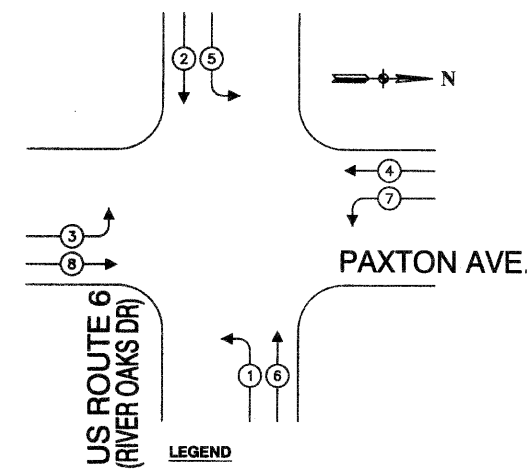


SECTION 13, TOWNSHIP 36, RANGE 14  
SECTION 24, TOWNSHIP 36, RANGE 14

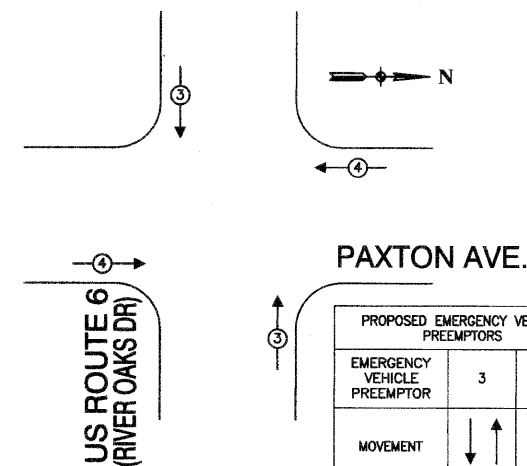
TEMPORARY CONTROLLER SEQUENCE



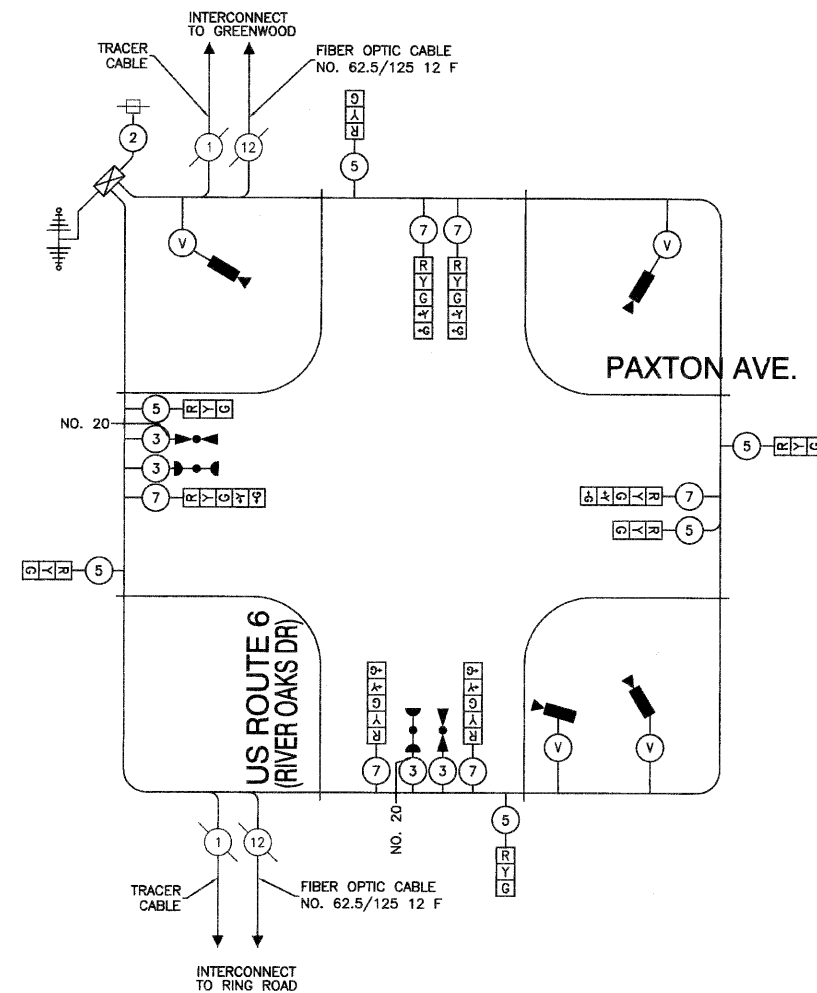
LEGEND

- ← \* → DUAL ENTRY PHASE
- ← \* → SINGLE ENTRY PHASE
- ↔ OL OVERLAP
- ← \* → PEDESTRIAN PHASE
- \* NUMBER REFERS TO ASSOCIATED PHASE

PHASE DESIGNATION DIAGRAM



TEMPORARY EMERGENCY VEHICLE PREEMPTION SEQUENCE



CABLE PLAN  
NOT TO SCALE

TEMPORARY CABLE PLAN LEGEND

- [R] 12" TRAFFIC SIGNAL SECTION
- [X] CONTROLLER CABINET
- [S] SERVICE INSTALLATION
- (2) DENOTES NUMBER OF CONDUCTORS. ALL CABLE NO. 14 EXCEPT AS INDICATED. ALL LOOP DETECTOR CABLE TO BE SHIELDED.
- ▶ EMERGENCY VEHICLE LIGHT DETECTOR
- ▶ CONFIRMATION BEACON
- [ ] VEHICLE DETECTOR, INDUCTION LOOP
- ⊙ PUSHBUTTON DETECTOR
- [ ] 12" PEDESTRIAN SIGNAL SECTION
- ▶ VIDEO DETECTION CAMERA
- ⊕ WIRELESS INTERCONNECT

I.D.O.T. TRAFFIC SIGNAL INSTALLATION ELECTRICAL SERVICE REQUIREMENTS						TOTAL WATTAGE
TYPE	NO. LAMPS	WATTAGE		% OPERATION		
SIGNAL (RED)	12	17		0.50		102
SIGNAL (YELLOW)	12		25	0.25		75
SIGNAL (GREEN)	12		15	0.25		45
SIGNAL (RED)	12		12	0.10		15
SIGNAL (RED)	1		100	1.00		100
SIGNAL (RED)	1		150	1.00		150
TOTAL						488

ENERGY COSTS TO: CITY OF CALUMET CITY

ENERGY SUPPLY CONTACT: GREG TRIEMSTRA  
PHONE: (708) 235-2331  
COMPANY: COM ED

FILE NAME = 06326-SGNL-01 - TP-TS02	USER NAME =	DESIGNED - MS	REVISED -
		CHECKED - MS	REVISED -
	PLOT SCALE =	DRAWN - SLG	REVISED -
	PLOT DATE = 01-25-10	CHECKED - AG	REVISED -

STATE OF ILLINOIS  
DEPARTMENT OF TRANSPORTATION

US ROUTE 6 (RIVER OAKS DRIVE) AT PAXTON AVENUE INTERSECTION IMPROVEMENT  
TRAFFIC SIGNAL INSTALLATION TEMPORARY CABLE PLAN, PHASE DESIGNATION  
DIAGRAM AND EMERGENCY VEHICLE PREEMPTION SEQUENCE

F.A.P. RTE.	SECTION	COUNTY	TOTAL SHEETS	SHEET NO.
351	06-00139-00-CH	COOK	044	021
CONTRACT NO. 63266				
SCALE: NONE SHEET NO. 021 OF 044 SHEETS STA. TO STA. FED. ROAD DIST. NO. 1 ILLINOIS FED. AID PROJECT HD-M-9003(256)				